



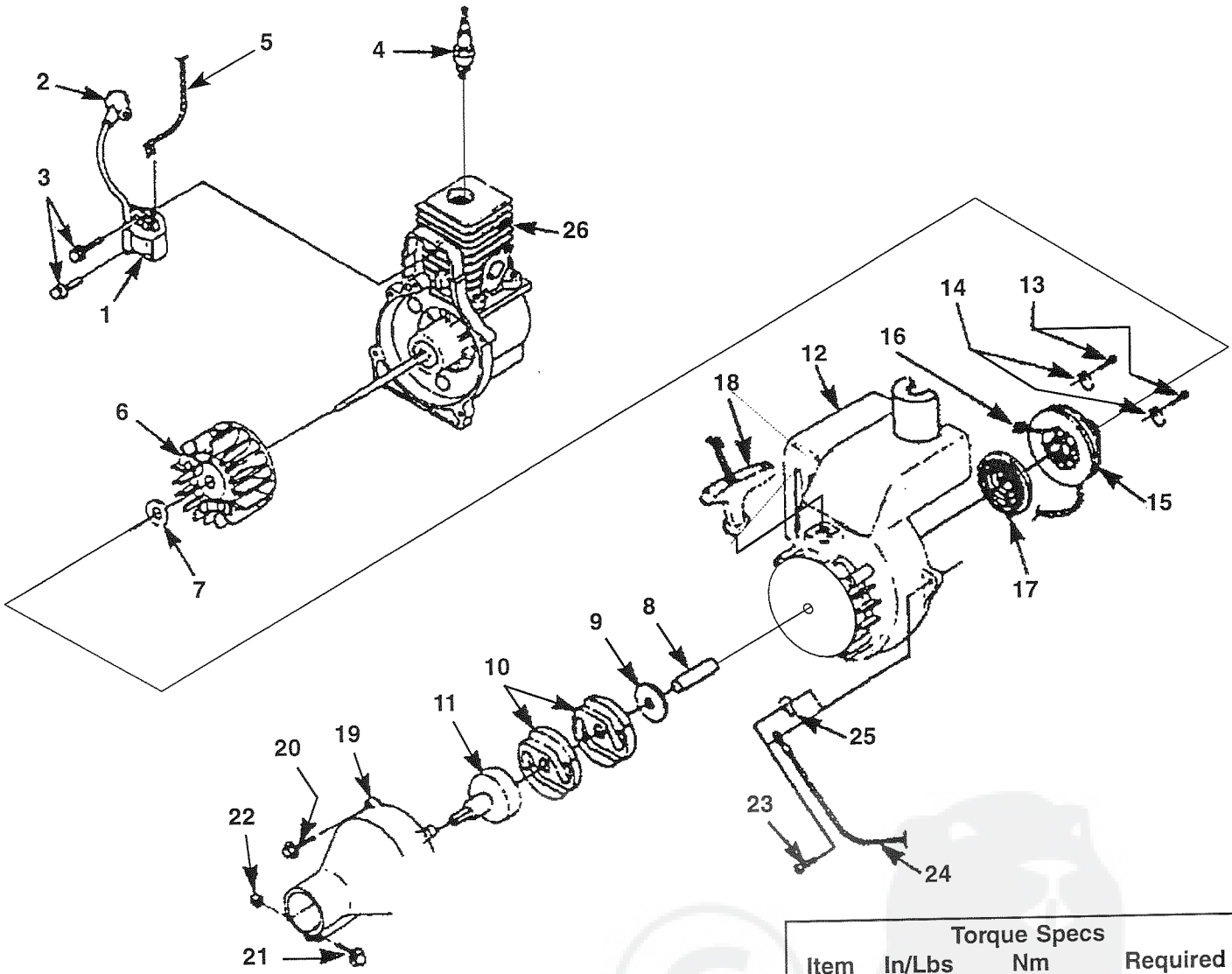
PARTS LIST

BC300
(UT15095 C, D)

©
CE

PART NO. 16143 A
Printed in U.S.A.

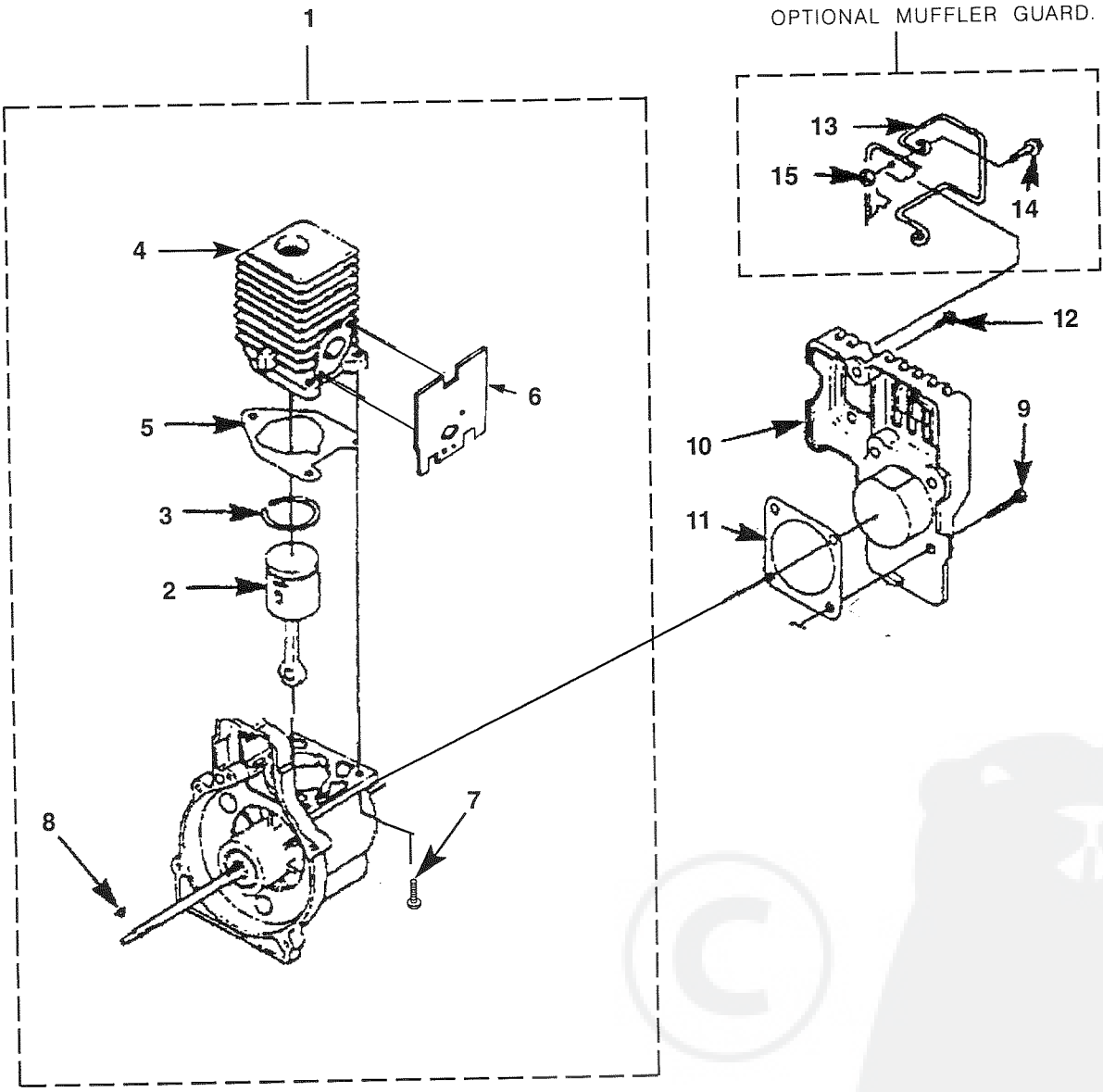
IGNITION - ROTOR - STARTER - CLUTCH



Item No	Torque Specs		Required Loctite
	In/Lbs	Nm	
3	30-40	3.4-4.5	
4	120-180	13.6-20.3	
13	30-40	3.4-4.5	
20	30-40	3.4-4.5	
22	40-50	4.5-5.6	
23	55-60	6.2-6.8	

No.	Part No.	Description	Qty	No.	Part No.	Description	Qty
1	94711 CS	MODULE-Ignition	1	16	97899 02	ROPE-Starter (42")	1
2	A 33055	TERMINAL & COVER	1	17	A 98773 A	SPRING & CONTAINER	1
3	82540	SCREW-Taptite (8-32 X 1")	2	18	PS 00179	GRIP-Starter	1
4	79252	SPARK PLUG	1	19	A 02396 A	TUBE ADAPTER	1
5	A 00681	LEAD-Electrical	1	20	88052	SCREW-Hex Hd. (10-24 X 7/8")	4
6	A 04158 S	ROTOR KIT	1	21	96624	SCREW-Sems Hex Hd. (10-24 X 1 1/8")	1
7	95479 A	WASHER-Flat	1	22	81208	NUT (10-24)	1
8	PS 03566 1	SPACER	1	23	82538	SCREW-Taptite (10-24 X 3/4")	4
9	98929 A	WASHER-Flat	1	24	A 98919 A	LEAD-Ground	1
10	00242	CLUTCH	3	25	02851	TERMINAL-Male	1
11	A 03485 B	CONNECTOR & DRUM	1	26		SHORT BLOCK (Ref. Pg. 3, Item 1)	1
12	A 02097 B	ENGINE HOUSING	1				
13	82541	SCREW-Plastite (#10-1/2")	2				
14	98791	BRACKET-Retaining	2				
15	98770 A	PULLEY-Starter	1				

ENGINE INTERNAL

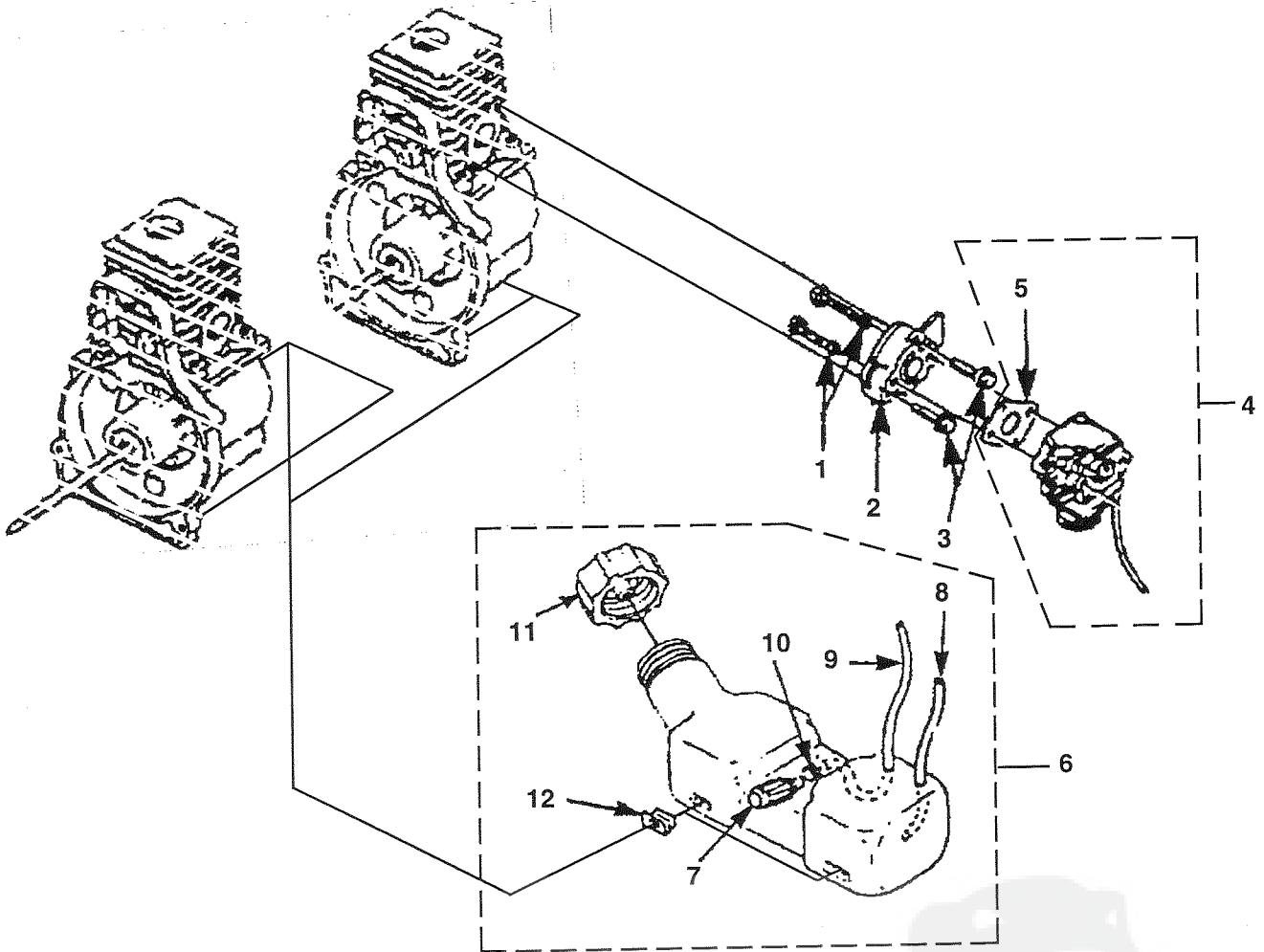


Item No	In/Lbs	Torque Specs		Required Loctite
		In/Lbs	Nm	
7	55-65	6.2-7.3	
9	25-30	2.8-3.4	
12	30-40	3.4-4.5	
14	40-50	4.5-5.6	

No.	arP No.	Description	
1	A 07135	SHORT BLOCK	1
2	A 03599	PISTON & ROD	1
3	03179	RING-Piston	2
4	A 09058 A	CYLINDER KIT	1
5	04388 E	GASKET-Cylinder	1
6	06900 A	GASKET-Heat Dam	1
7	88084 1	SCREW, SEMS (12-24 x 3/4")	3
8	69250	KEY-Woodruff	1
9	88081 1	SCREW, SEMS (10-24 x .910)	4
10	A 00858	CRANKCASE COVER	1
11	08661	GASKET-Crankcase Cover*	1
12	82541	SCREW-Plastite (#10 X 1/2")	2
13	A 00254 A	WIRE GUARD KIT	1
14	88049	SCREW-Hex Sems (10-24 X 1/2")	2
15	81208	NUT (10-24)	2

* Also included with Short block & Cylinder Kits.

CARBURETOR - FUEL TANK



No.	arP No.	Description	
1	04474	SCREW-Machine (10-24 X 2 1/4")	2
2	98768 A	HEAT DAM	1
3	09322 1	SCREW-Taptite (10-24 X #")	2
4	A 04445 A	CARBURETOR KIT	1
5	98766 A	GASKET-Carburetor	1
6	A 04447 D	FUEL TANK	1
7	49422	FILTER-Fuel	1
8	01439 32	TUBING-Rubber (8")	1
9	94772 32	TUBING-Rubber (8")	1
10	98268	CLAMP-Wire	1
11	A 00982 B	FUEL CAP	1
12	98792	BUMPER-Rubber	3

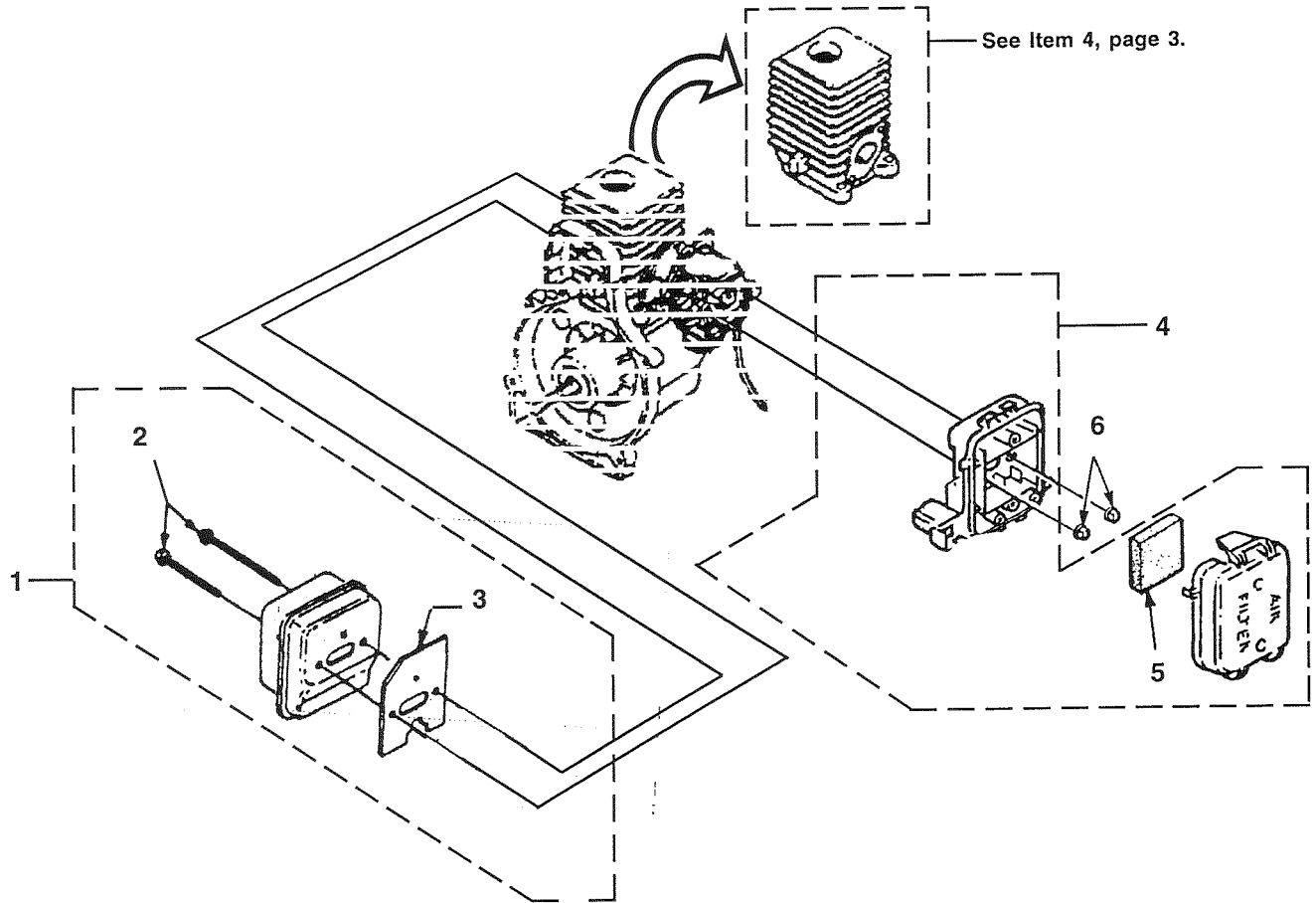
Item No	Torque Specs		Required Loctite
	In/Lbs	Nm	
1	30-40	3.4-4.5	
3	40-50	4.5-5.6	

Vergaser Rep. Satz

P.M. - A0 3979

* Also included with Short block & Cylinder Kits.

MUFFLER - AIR CLEANER

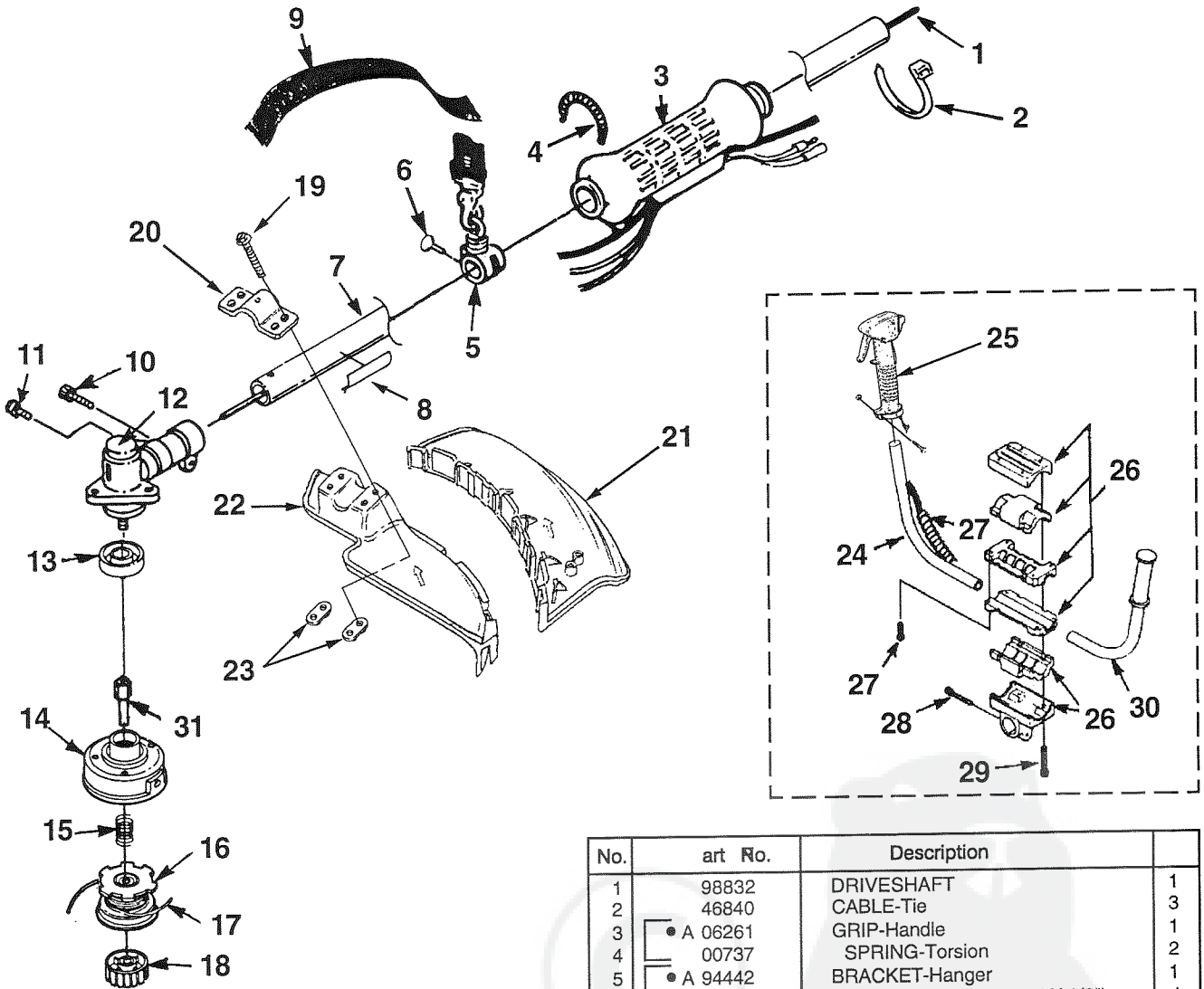


No.	Part No.	Description	Qty
1	•A 07315	MUFFLER COMPLETE	1
2	88060	SCREW-Sems Hex (10-24 X 2 1/2")	2
3	98786 C	GASKET-Muffler *	1
4	•A 04707 A	AIR FILTER KIT	1
5	D 98760 B	FILTER-AIR	1
6	81208	NUT-Hex (10-24)	2

Item No	Torque Specs		Required Loctite
	In/Lbs	Nm	
2	40-50	4.5-5.6	
6	40-50	4.5-5.6	

* Also included with Short block & Cylinder Kits.

STRAIGHT SHAFT BOOM - HANDLE - THROTTLE - STRINGHEAD - GRASS DEFLECTOR



Item No	Torque Specs		Required Loctite
	In/Lbs	Nm	
10	55-65	6.2-7.3	
11	40-50	4.5-5.6	

No.	art No.	Description	
1	98832	DRIVESHAFT	1
2	46840	CABLE-Tie	3
3	• A 06261	GRIP-Handle	1
4	00737	SPRING-Torsion	2
5	• A 94442	BRACKET-Hanger	1
6	82260	SCREW-Thumb (10-24 X 1/2")	1
7	• A 03800 A	HOUSING-Driveshaft	1
8	02985	DECAL-Warning	1
9	DA 92703 C	HARNESSE w/Connector	1
10	82586	SCREW-Cap Socket Hd. (10-24 X 1")	2
11	88049	SCREW-Sems Hex Hd. (10-24 X 1/2")	1
12	A 03888	GEAR HEAD	1
13	04168 1A	WASHER-Flanged	1
14	A 98231 A	HOUSING & EYELET	1
15	B 06713	SPRING-Compression	1
16	DA 02598 C	SPOOL & STRING	1
17	D 06514	LINE-Replacement (.095 Dia)	1
18	A 97910 A	SPOOL RETAINER	1
19	82555 A	SCREW-Mach. Tr. Hd. (10-24 X 3/4)	4
20	08619	CLAMP	1
21	A 08152	STRING SHIELD	1
22	A 08573	BLADE GUARD	1
23	A 08139	MOUNTING PLATE	2
24	• A 08852	HANDLE BAR & CONTROL GRIP	1
25	A 08850	BIKE CONTROL GRIP	1
26	• A 07304	BRACKET-Handle Bar	1
27	00605	SCREW-Soc. Hd.	1
28	03942	SCREW-Hex Hd.	4
29	03944	SCREW-Hex Hd.	4
30	UP 00392	HANDLE BAR & GRIP	1
31	98551 41	CONNECTOR-Drive	1

