

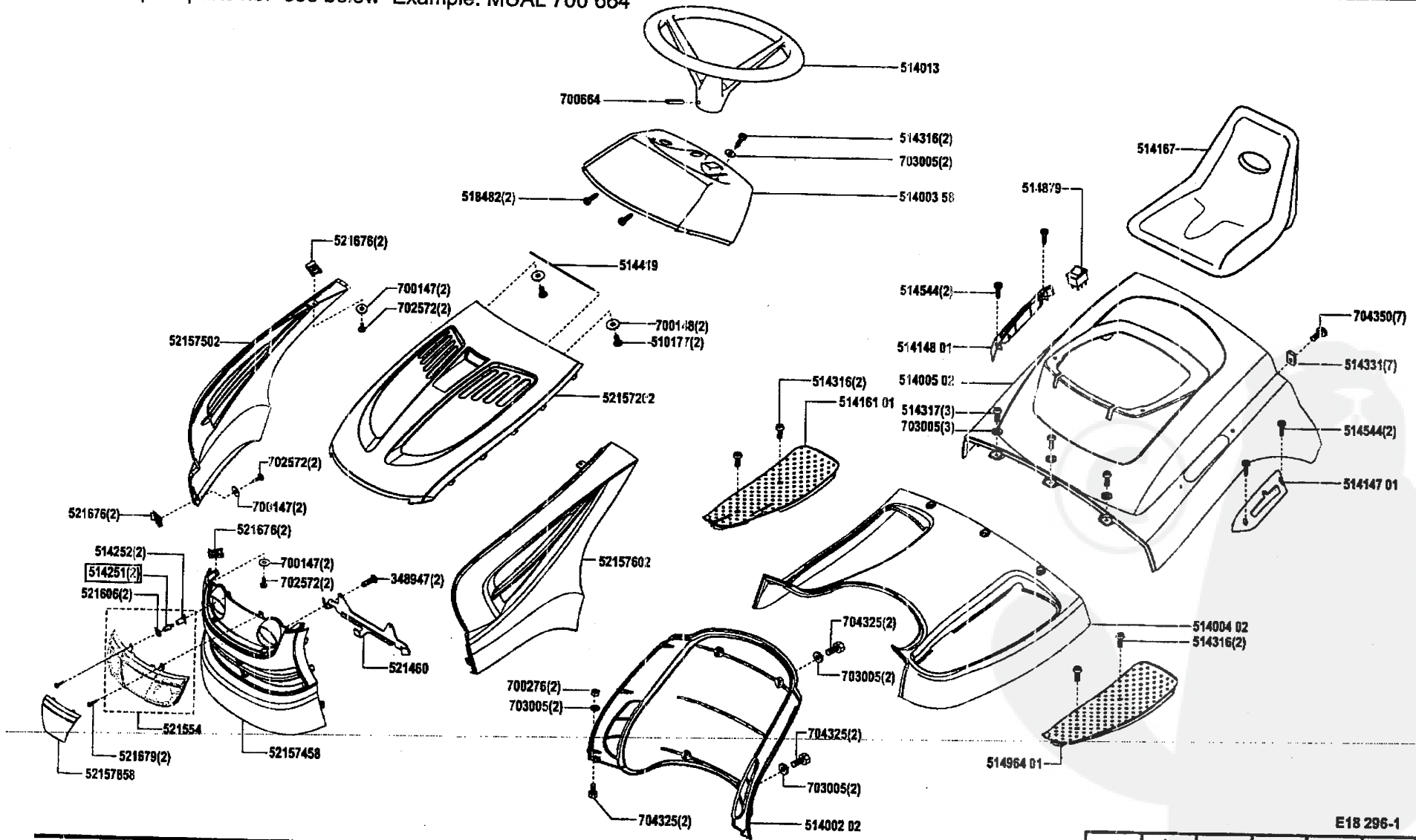
SENTINEL 170/102

TO: JEAN-FRANCOIS

Art. Nr. 118296

MUAL + spare parts no.- see below Example: MUAL 700 664

16/03 04 DI 14:10 FAX +43 3578 2515 38 ALKO KUNDENDIENST OBDOACH



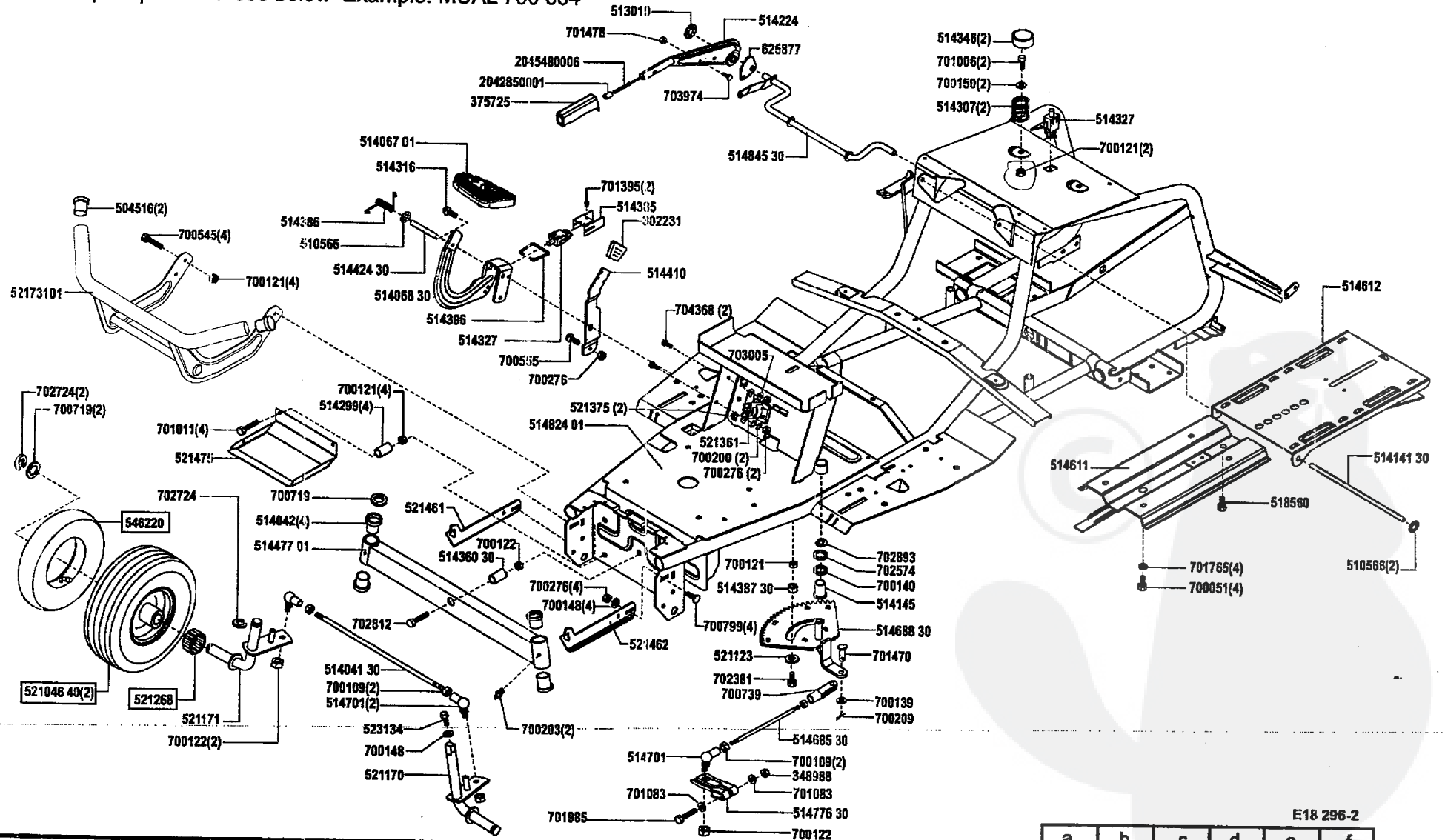
E18 296-1

a	b	c	d	e	f
---	---	---	---	---	---

SENTINEL 170/102

Art. Nr. 118296

MUAL + spare parts no.- see below Example: MUAL 700 664



E18 296-2

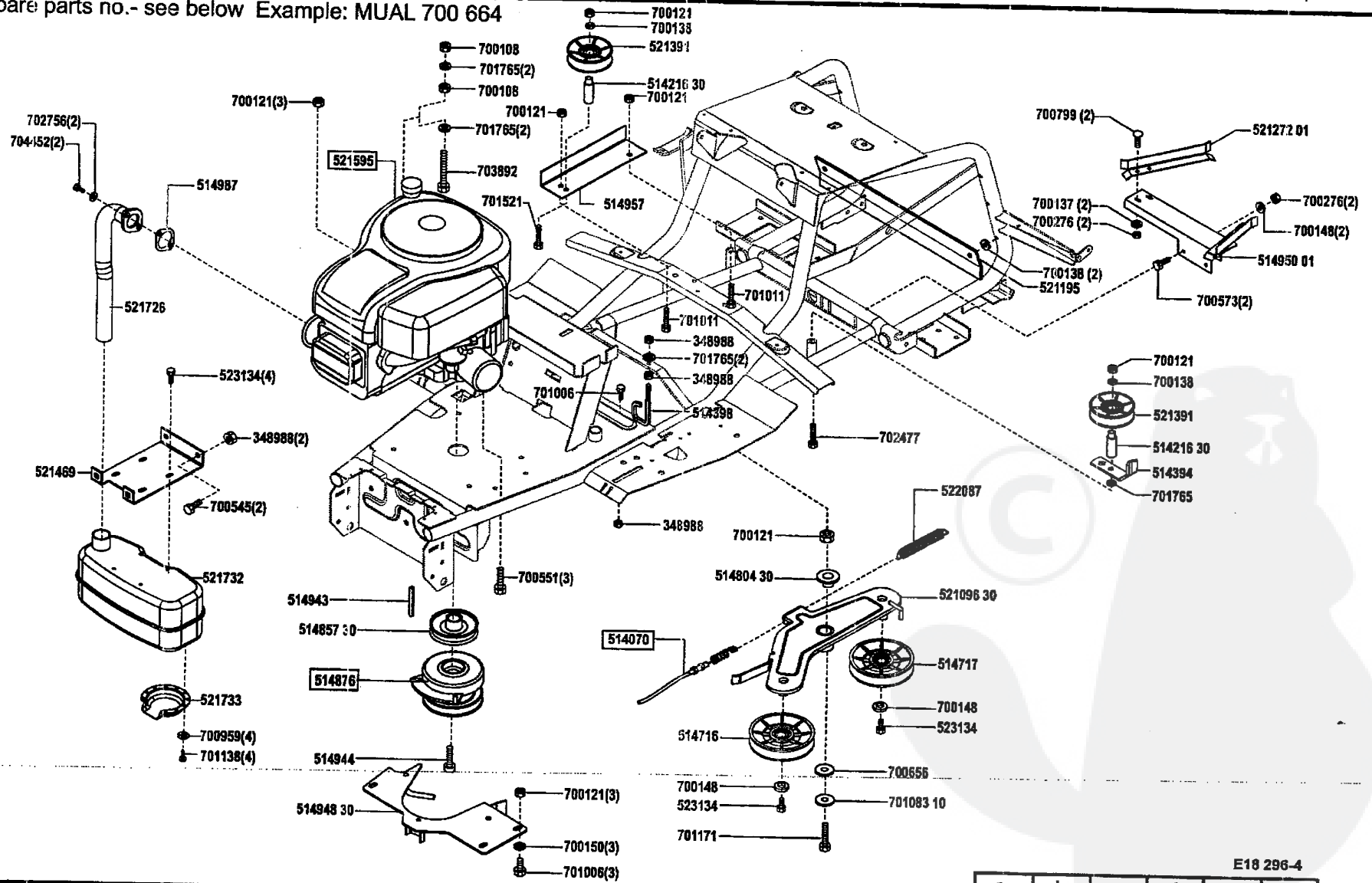
a	b	c	d	e	f
---	---	---	---	---	---

10/03 04 01 14:10 FAX +43 30/8 2019 38 ALMU KUNDENDIENST URBACH 002

SENTINEL 170/102

Art. Nr. 118296

MUAL + spare parts no. - see below Example: MUAL 700 664



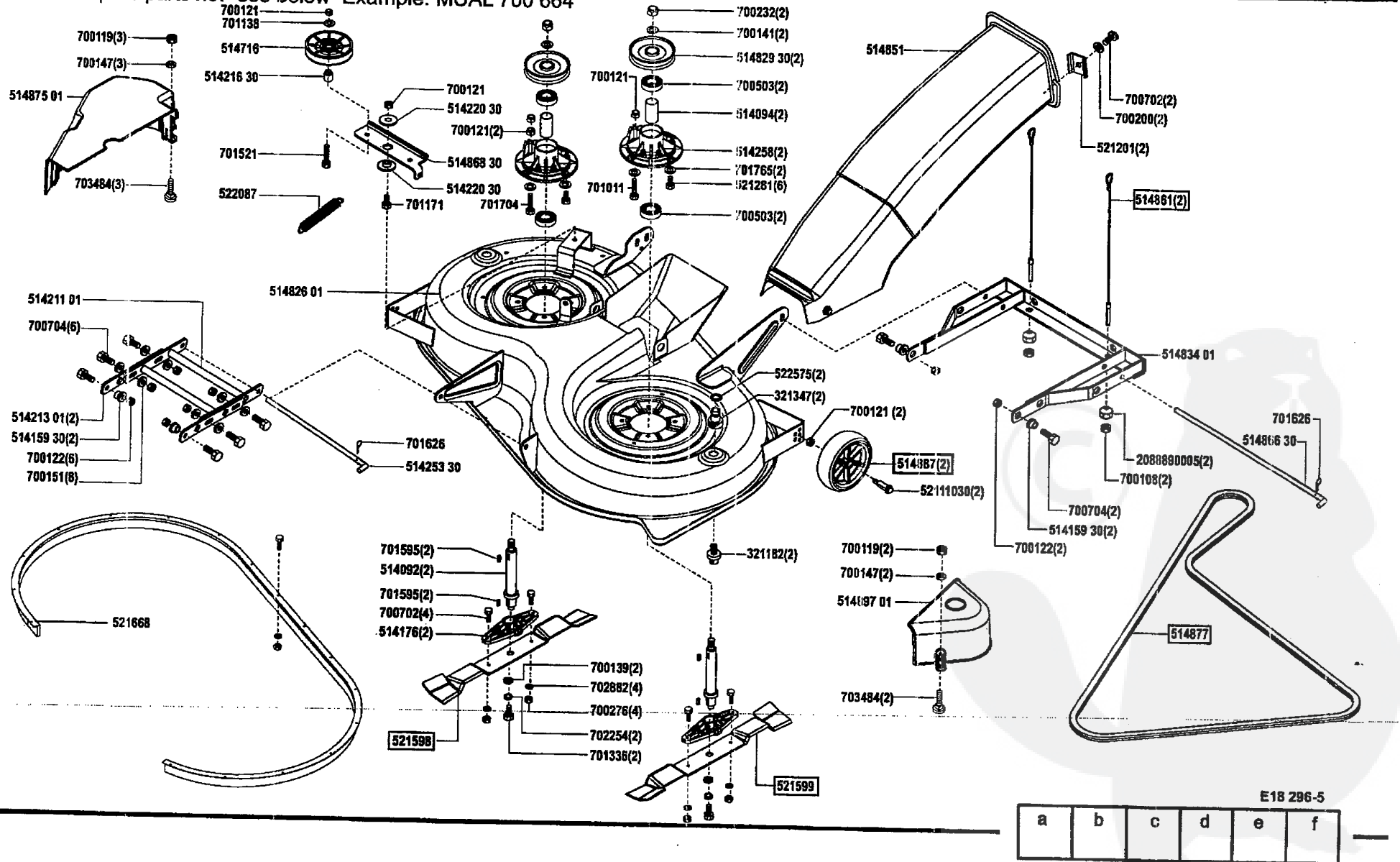
E18 296-4

a	b	c	d	e	f
---	---	---	---	---	---

SENTINEL 170/102

Art. Nr. 118296

MUAL + spare parts no. - see below Example: MUAL 700 664



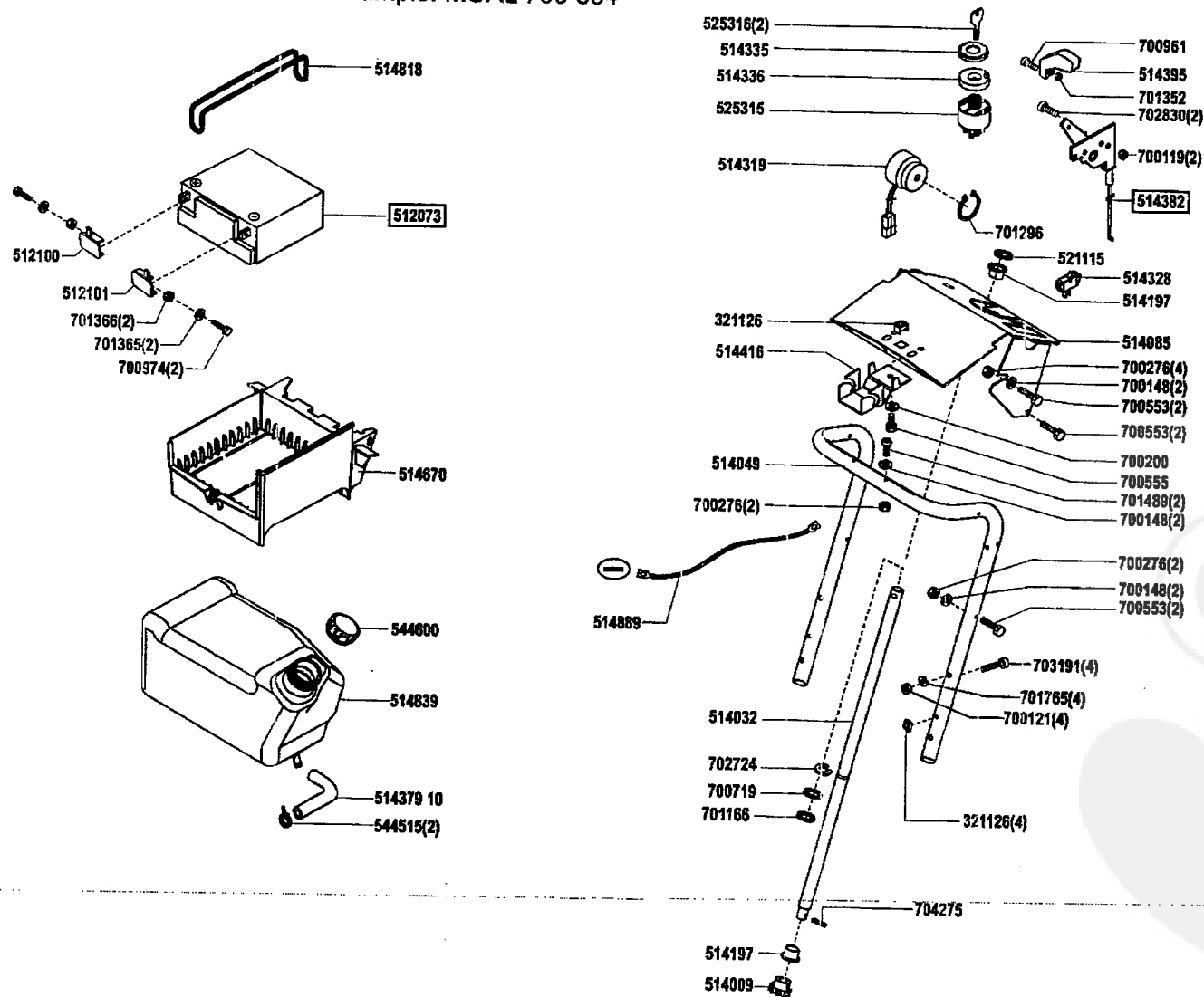
E18 296-5

a	b	c	d	e	f
---	---	---	---	---	---

SENTINEL 170/102

Art. Nr. 118296

MUAL + spare parts no. - see below Example: MUAL 700 664



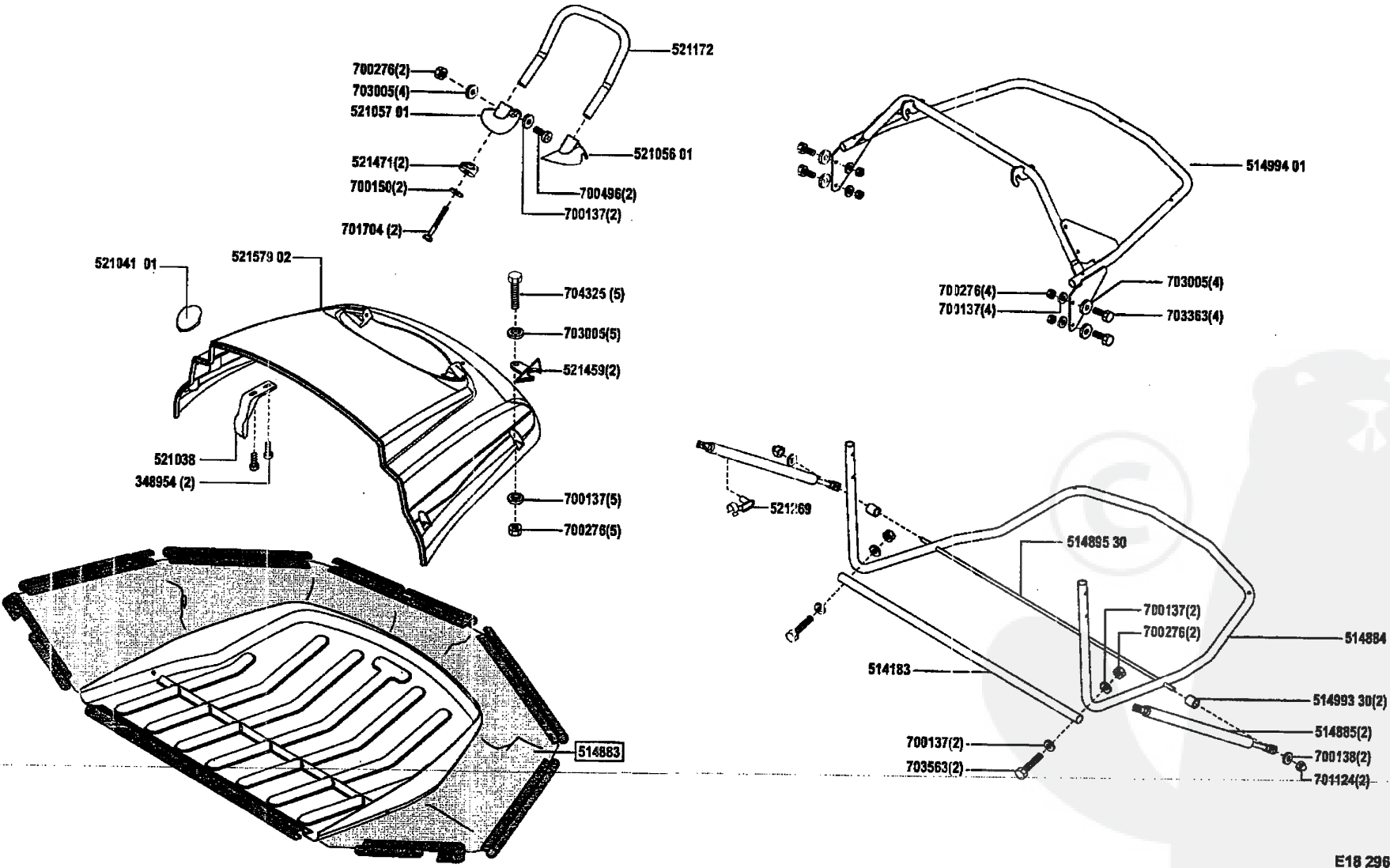
E18 296-6

a	b	c	d	e	f
---	---	---	---	---	---

SENTINEL 170/102

Art. Nr. 118296

MUAL + spare parts no.- see below Example: MUAL 700 664



E18 296-7

a	b	c	d	e	f
---	---	---	---	---	---

