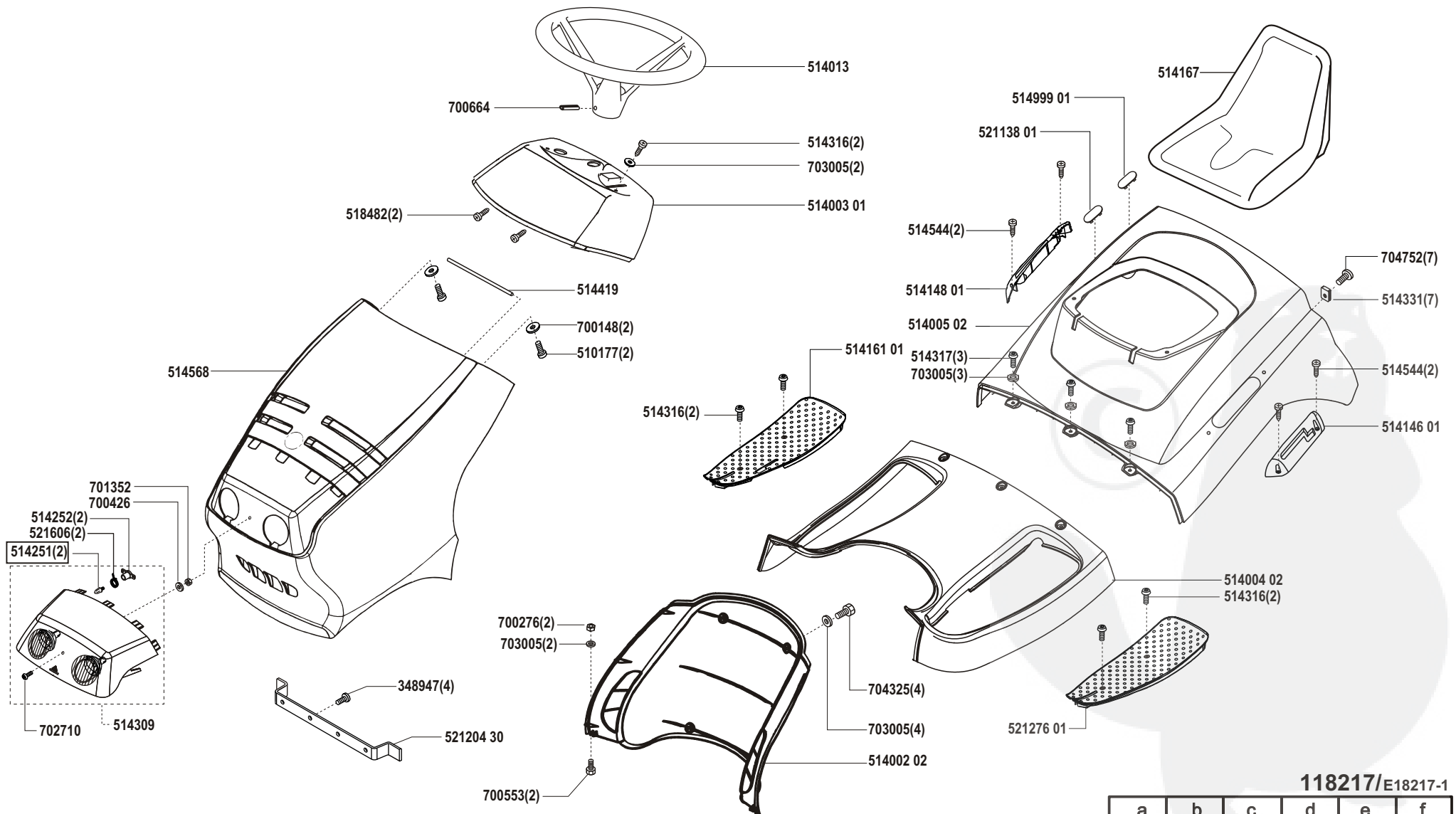


HVC T 13-85 LUX

HVC Garden machines

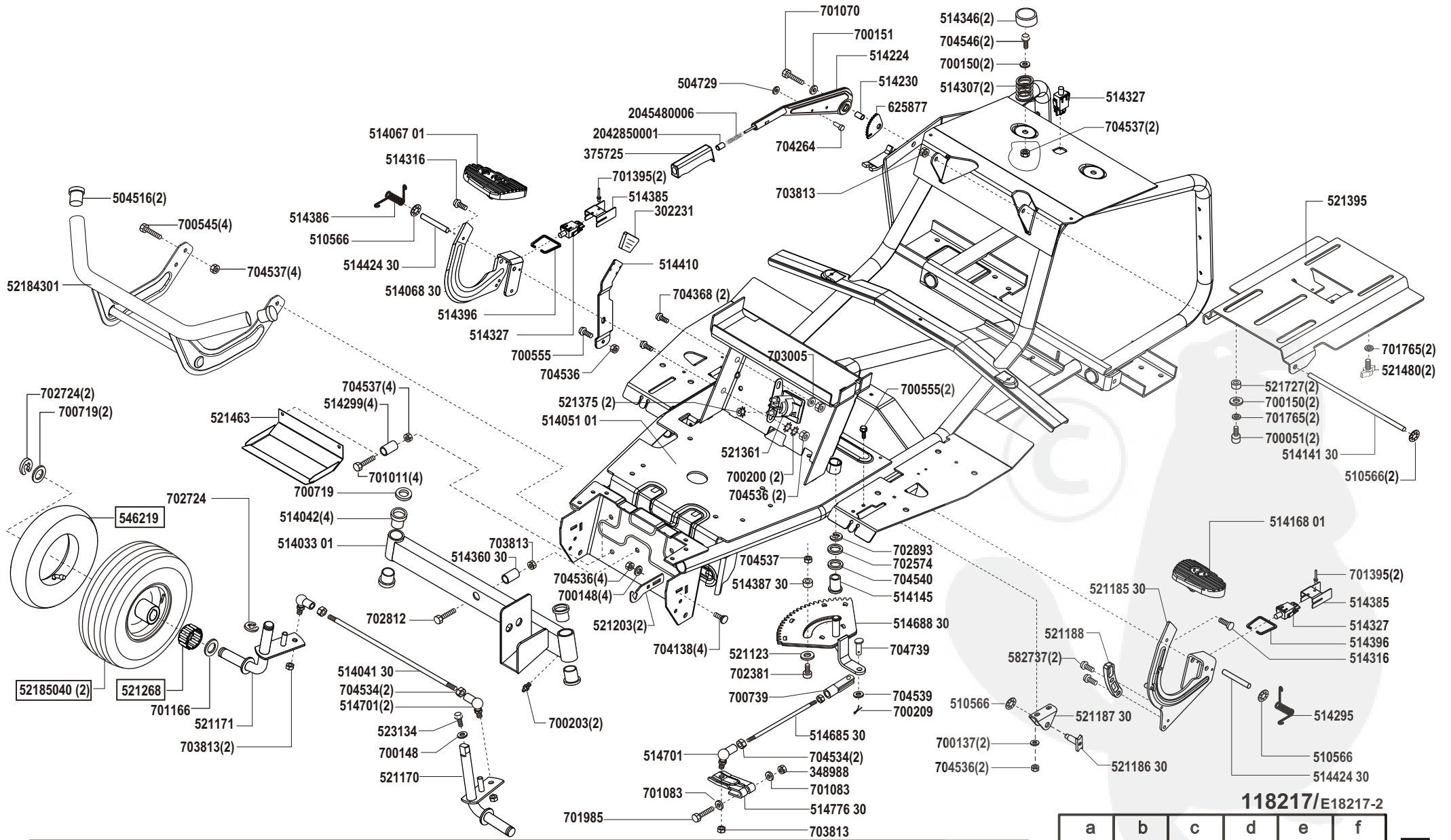


118217/E18217-1

a	b	c	d	e	f
04/03					

HVC T 13-85 LUX

HVC Garden machines

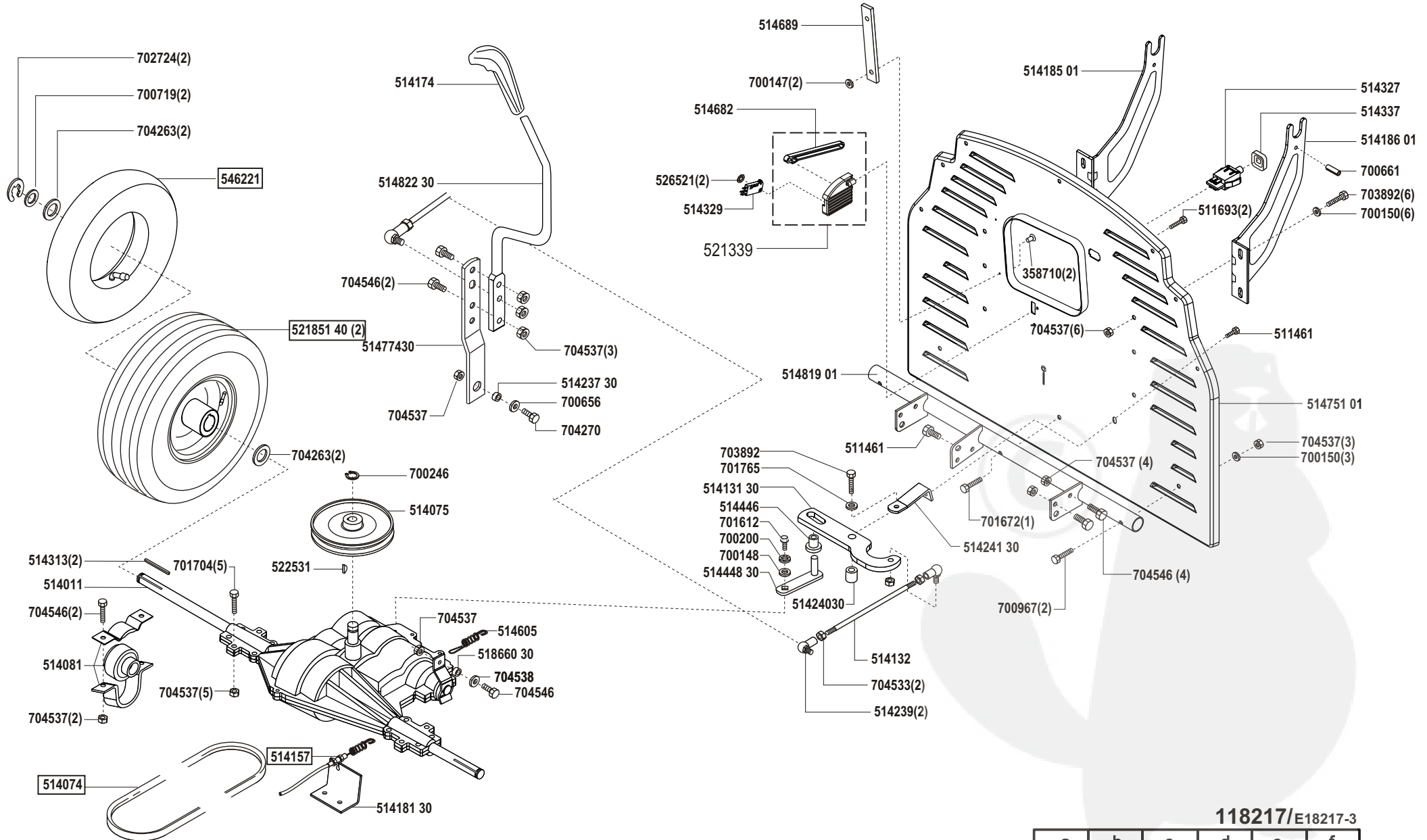


118217/E18217-2

a	b	c	d	e	f
04/03					

HVC T 13-85 LUX

HVC Garden machines

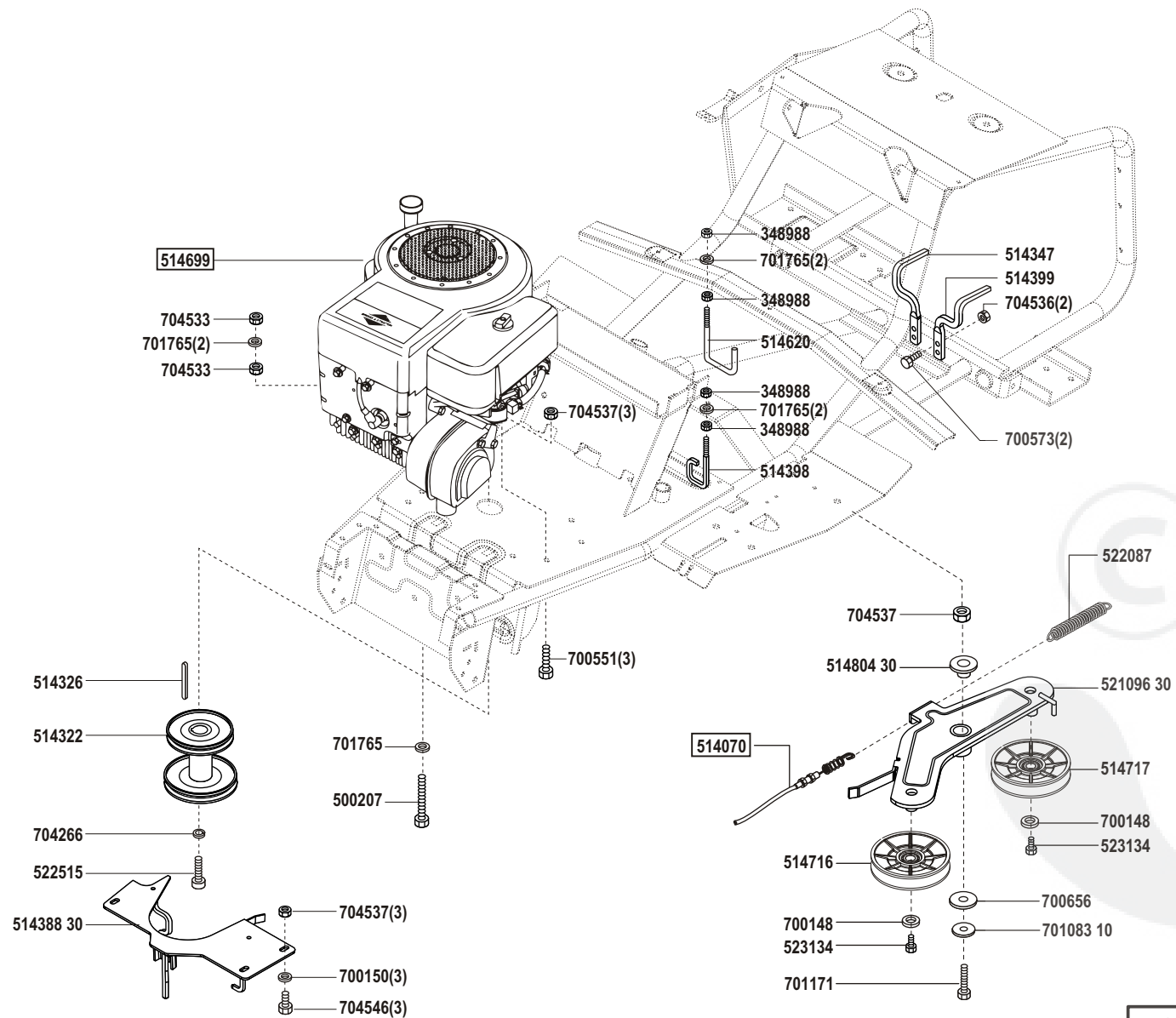


118217/E18217-3

a	b	c	d	e	f
04/03					

HVC T 13-85 LUX

HVC Garden machines

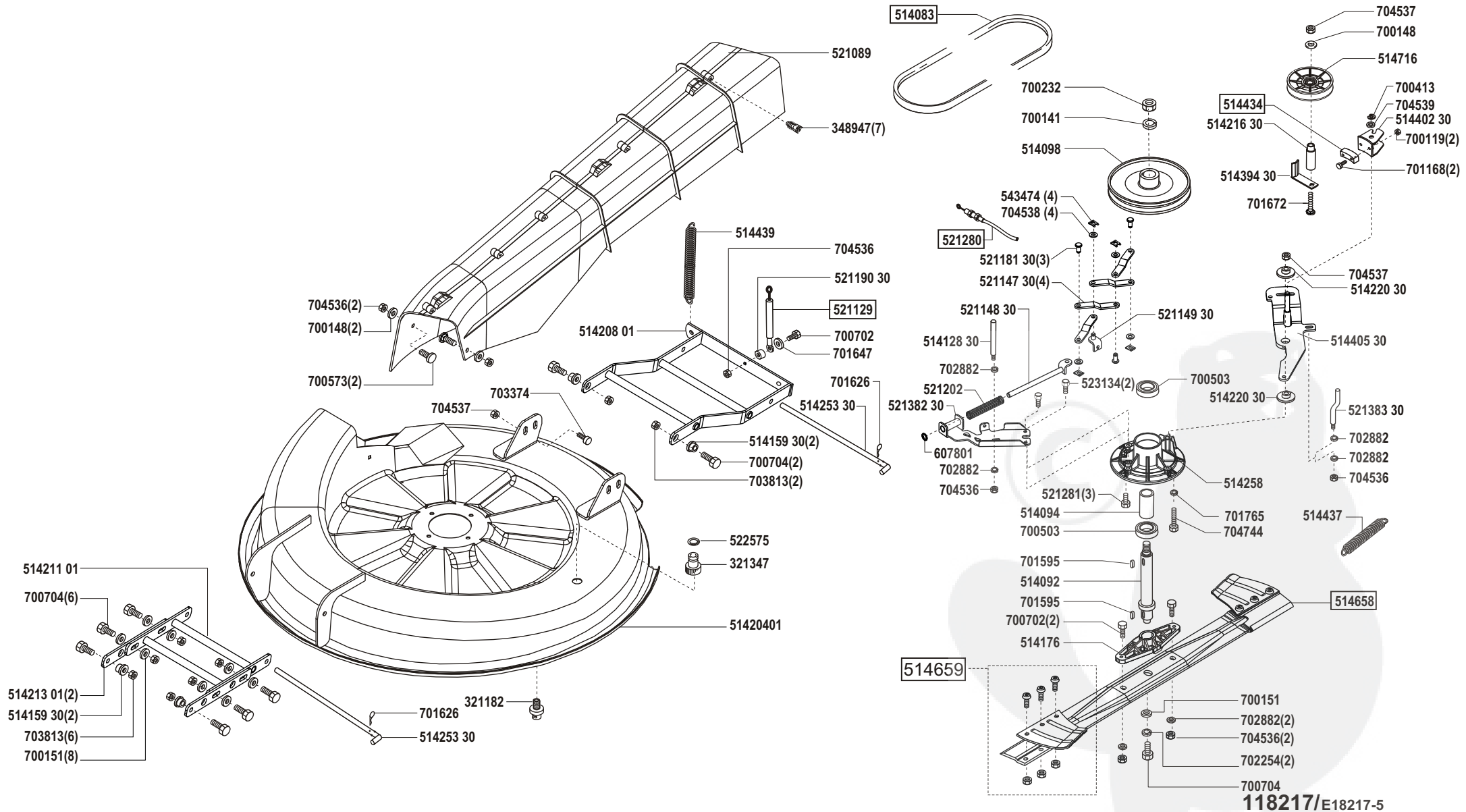


118217/E18217-4

a	b	c	d	e	f
04/03					

HVC T 13-85 LUX

HVC Garden machines

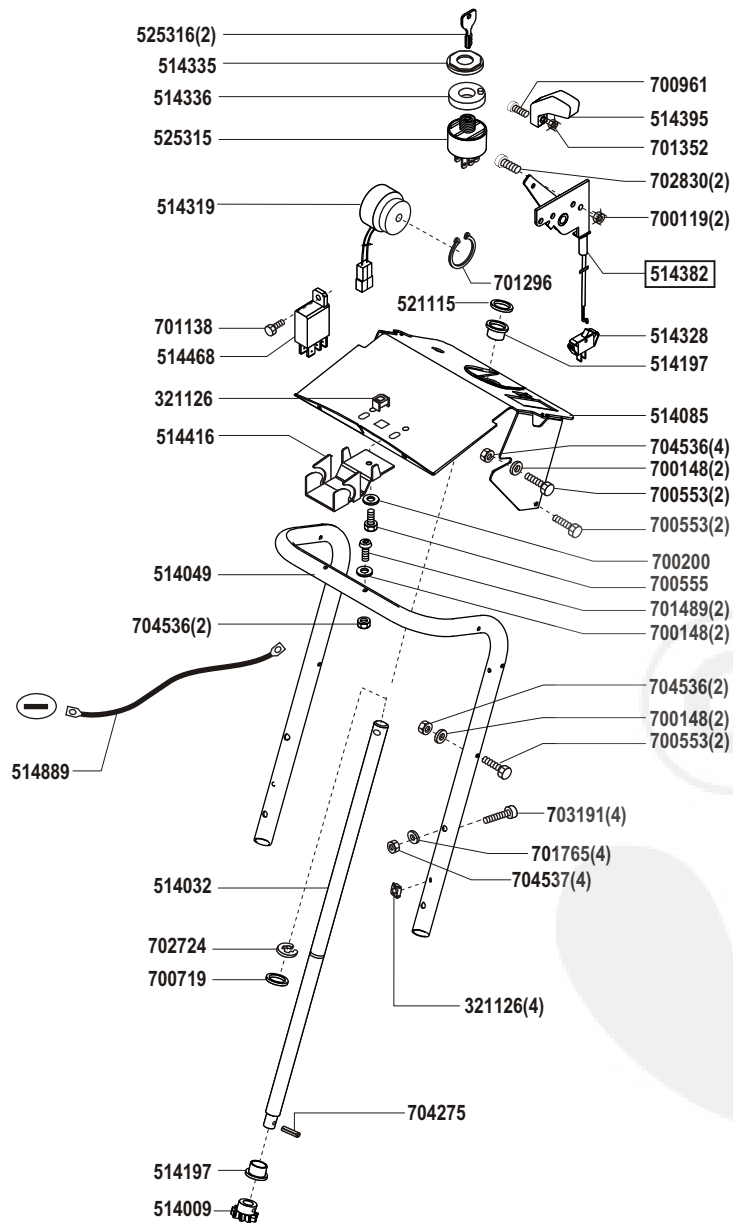
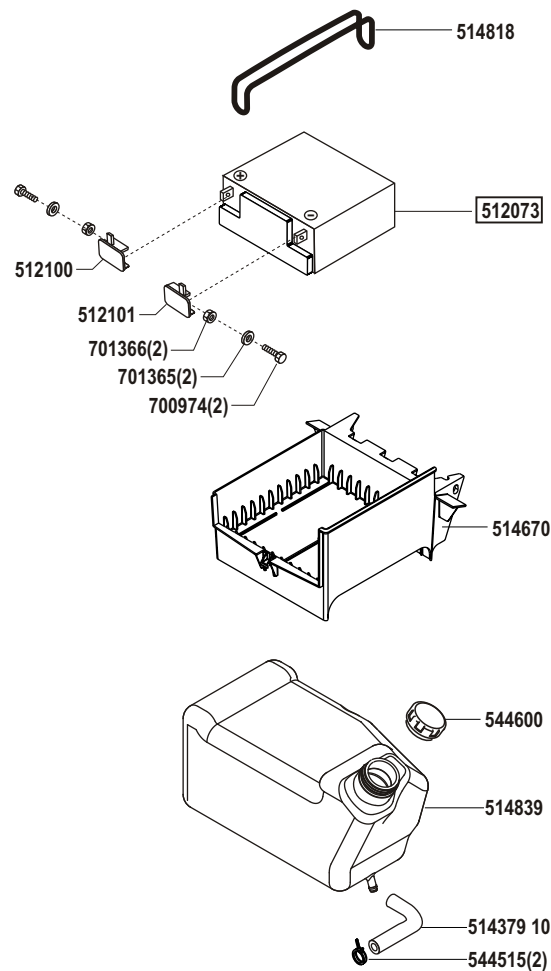


a	b	c	d	e	f
04/03					

118217/E18217-5

HVC T 13-85 LUX

HVC Garden machines

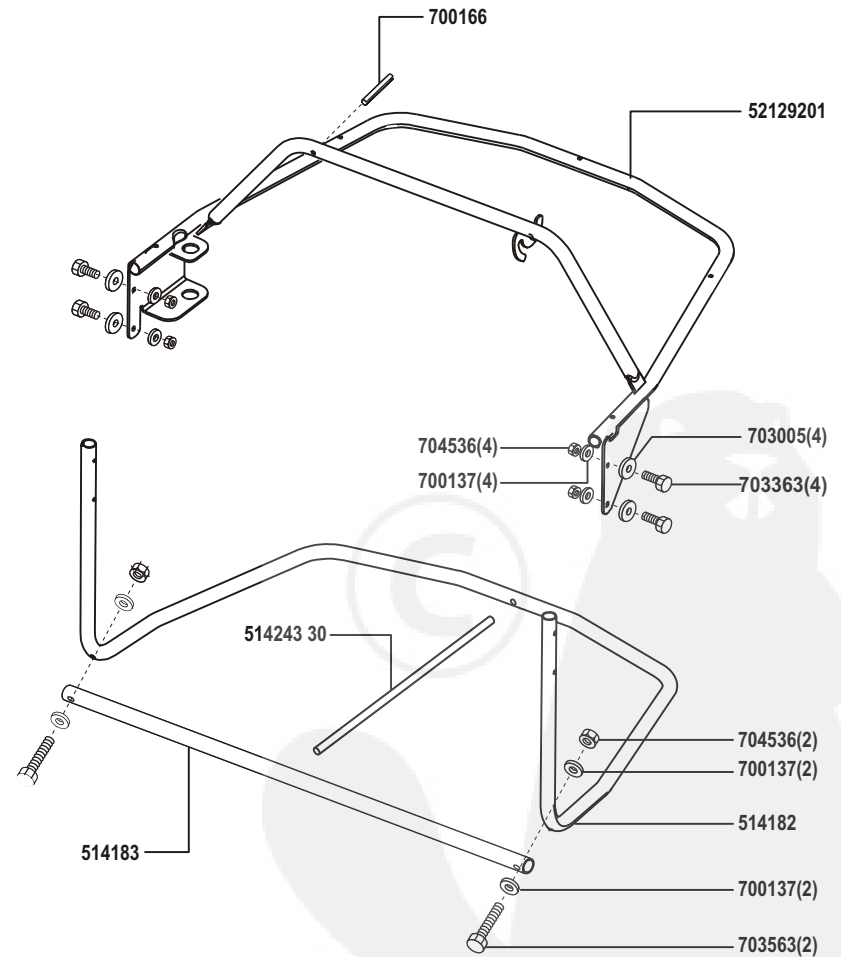
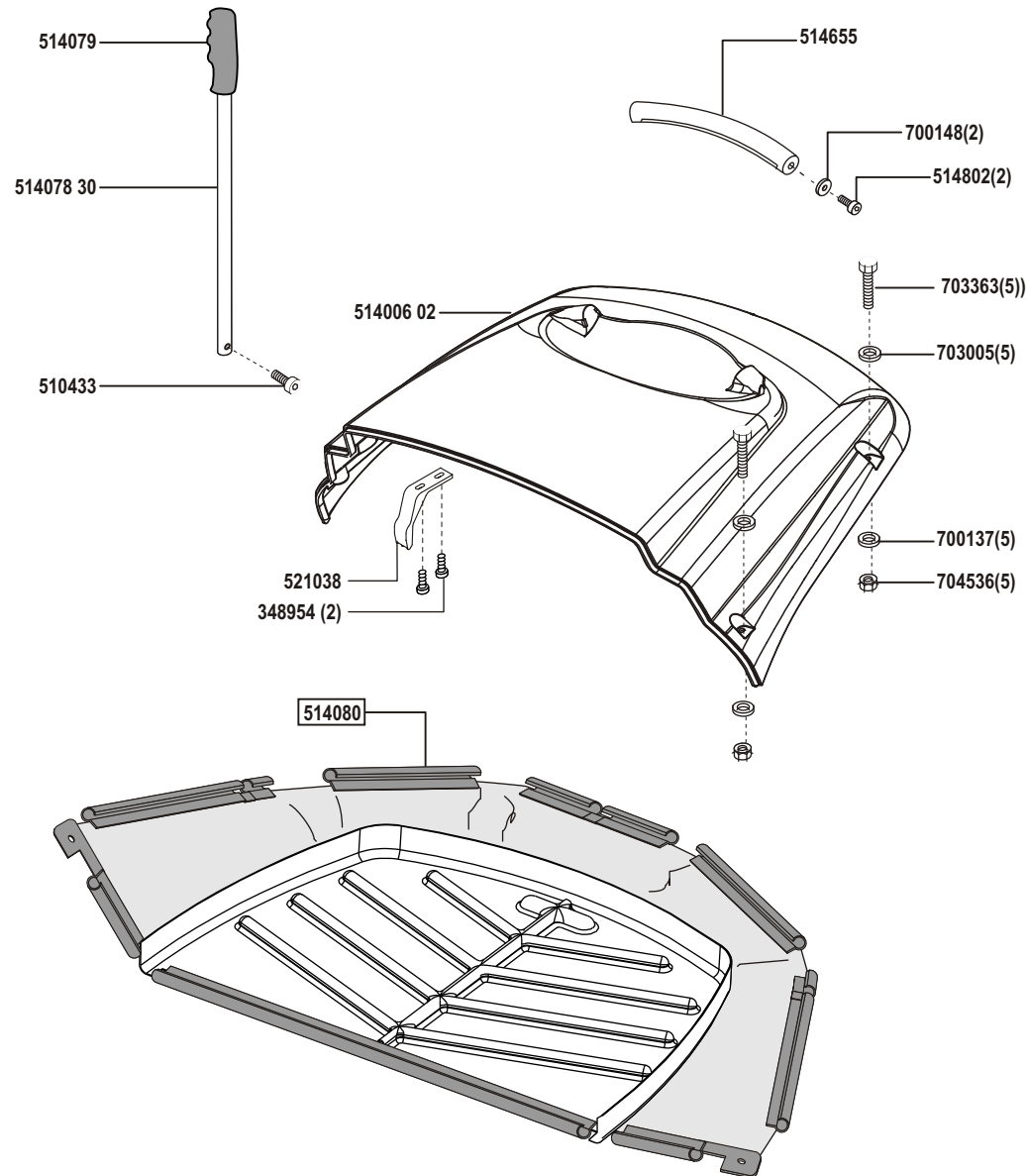


118217/E18217-6

a	b	c	d	e	f
04/03					

HVC T 13-85 LUX

HVC Garden machines

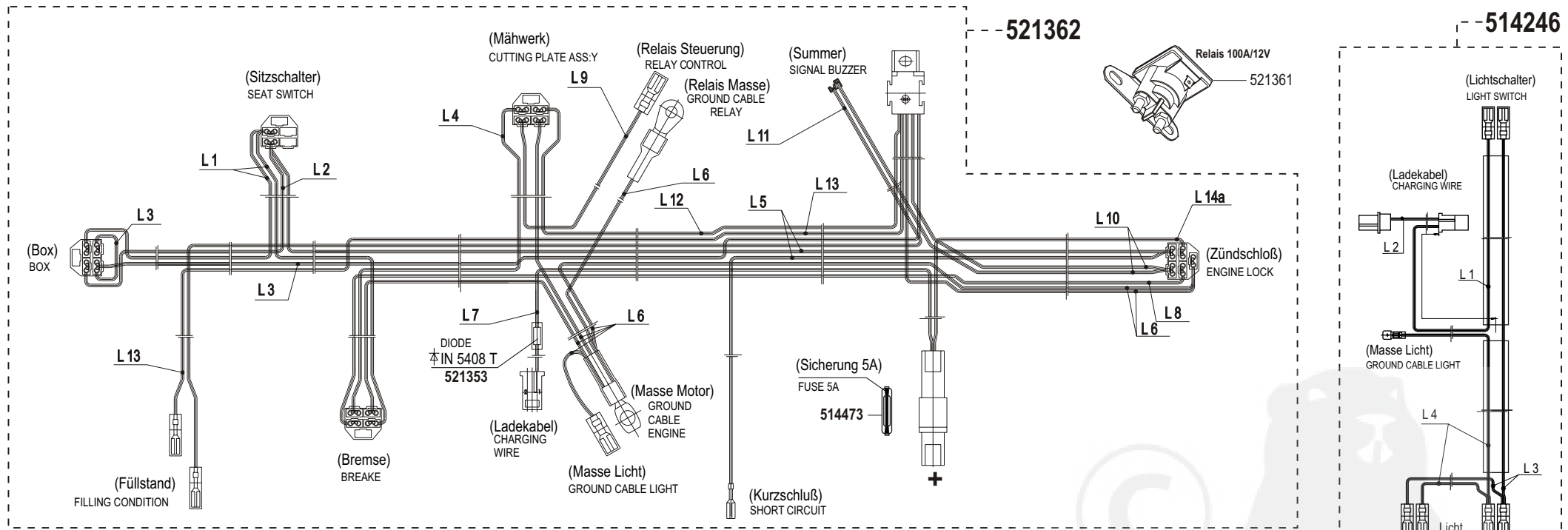


118217/E18217-7

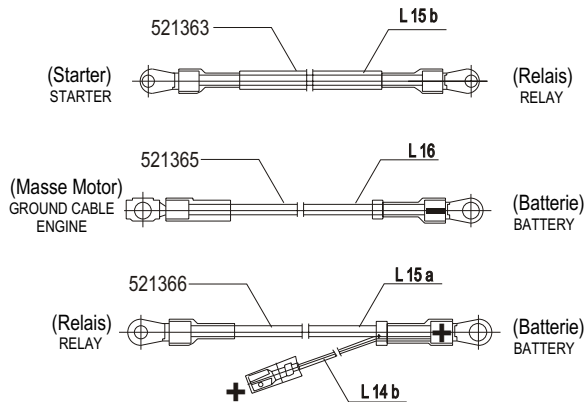
a	b	c	d	e	f
04/03					

HVC T 13-85 LUX

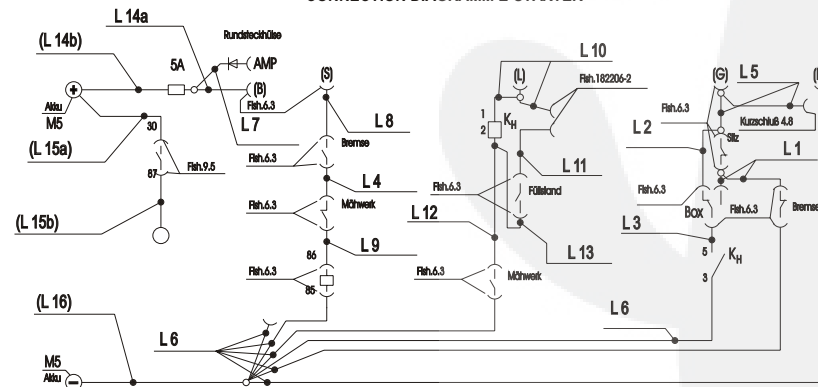
HVC Garden machines



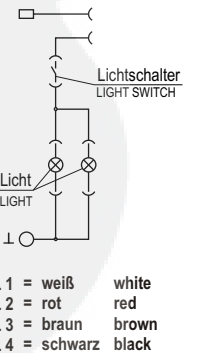
- L 1 = rosa pink
- L 2 = grau grey
- L 3 = weiß white
- L 4 = braun brown
- L 5 = grün green
- L 6 = schwarz black
- L 7 = rot red
- L 8 = violett violet
- L 9 = orange orange
- L 10 = gelb yellow
- L 11 = blau blue
- L 12 = rot/weiß red/white
- L 13 = weiß/blau white/blue
- L 14 a = rot red
- (L 14 b) = rot red
- (L 15 a) = rot red
- (L 15 b) = rot red
- (L 16) = blau blue



Schaltplan Traktor E-Start
CONNECTION DIAGRAM E-STARTER



Schaltplan Licht
CONNECTION DIAGRAM LIGHT



- L 1 = weiß white
- L 2 = rot red
- L 3 = braun brown
- L 4 = schwarz black

118217/E18217-8

a	b	c	d	e	f
---	---	---	---	---	---