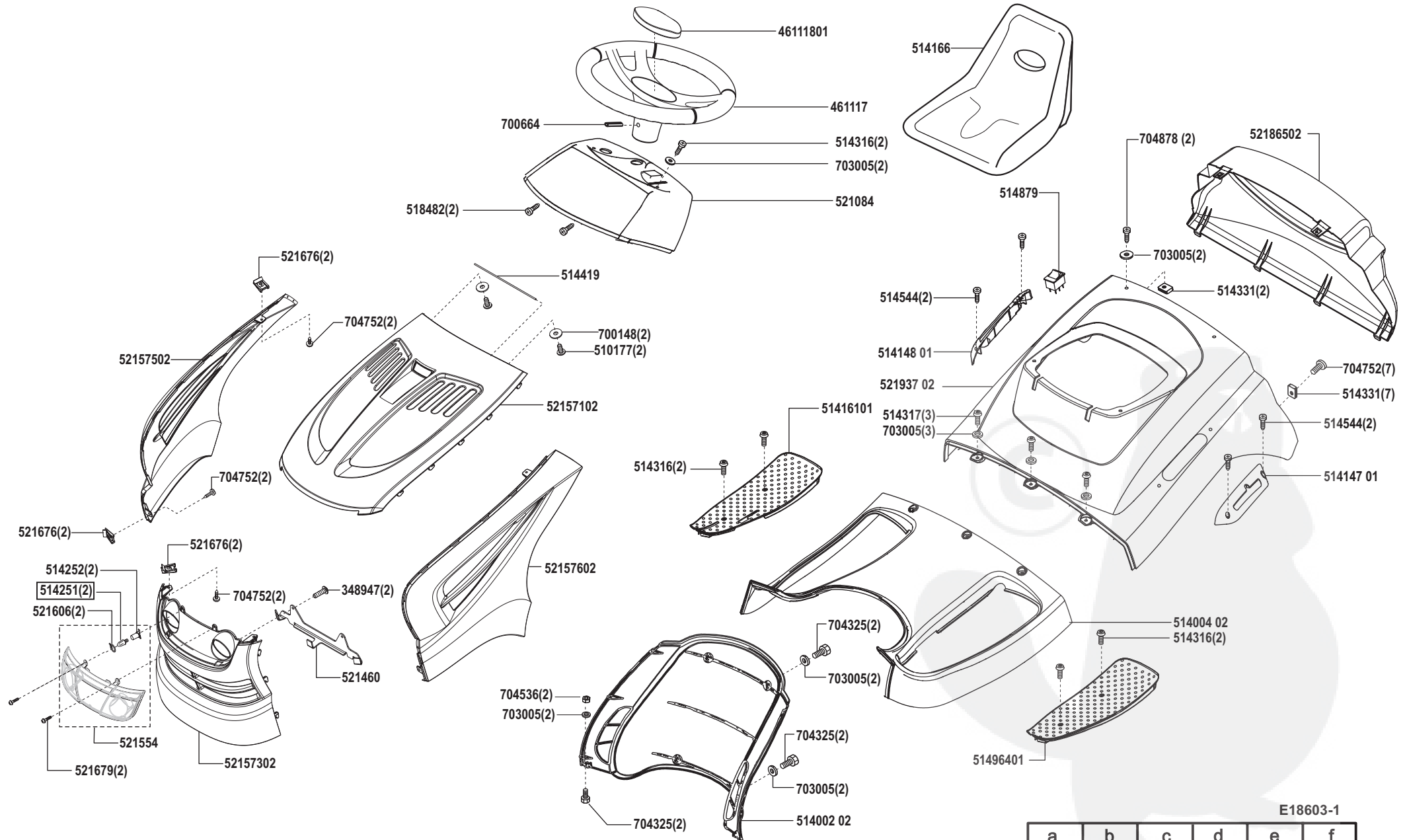


Power Line T15-102 HDS BIO-COMBI

Art. Nr. 118603

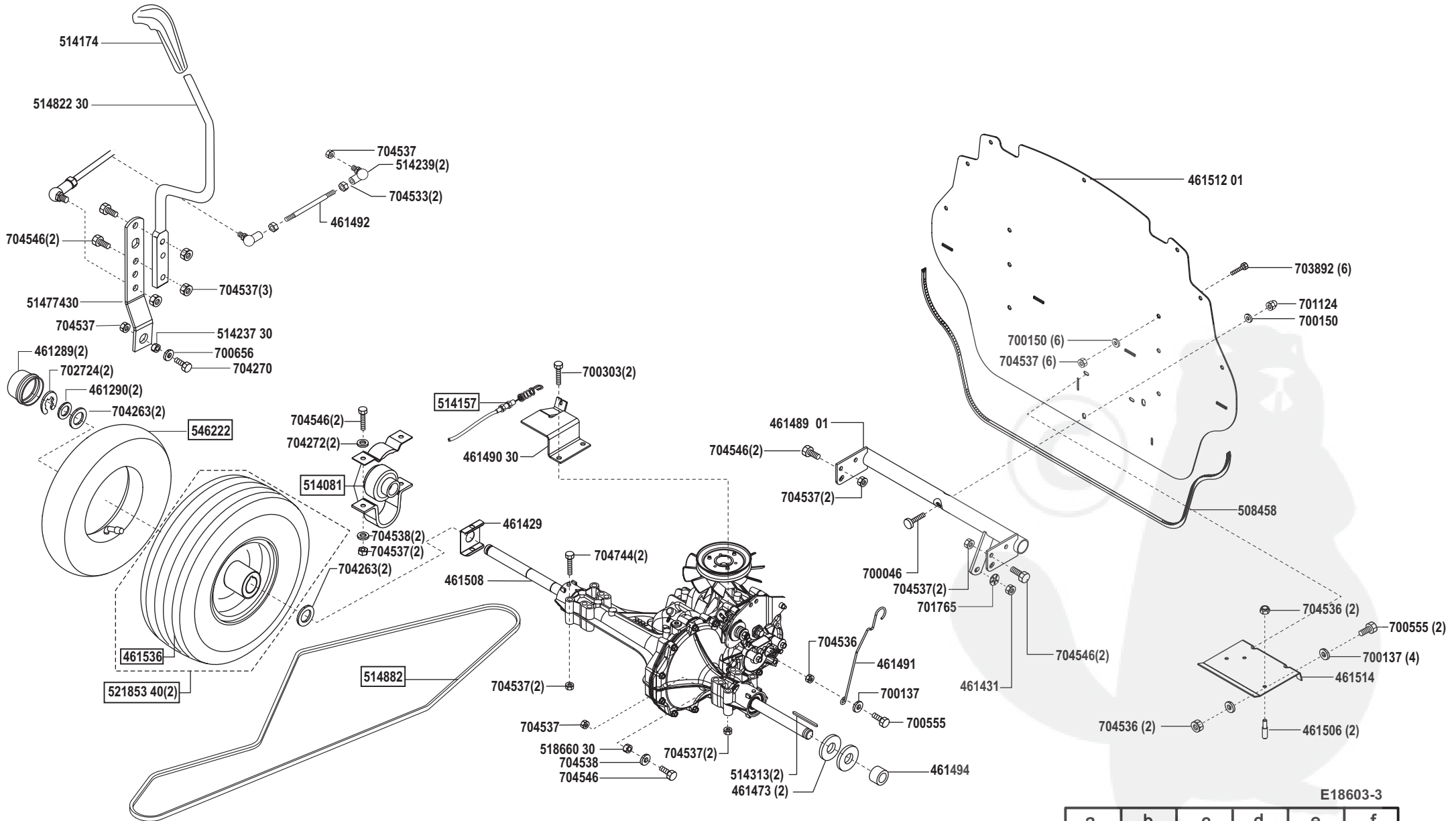


E18603-1

a	b	c	d	e	f
10/04					

Power Line T15-102 HDS BIO-COMBI

Art. Nr. 118603

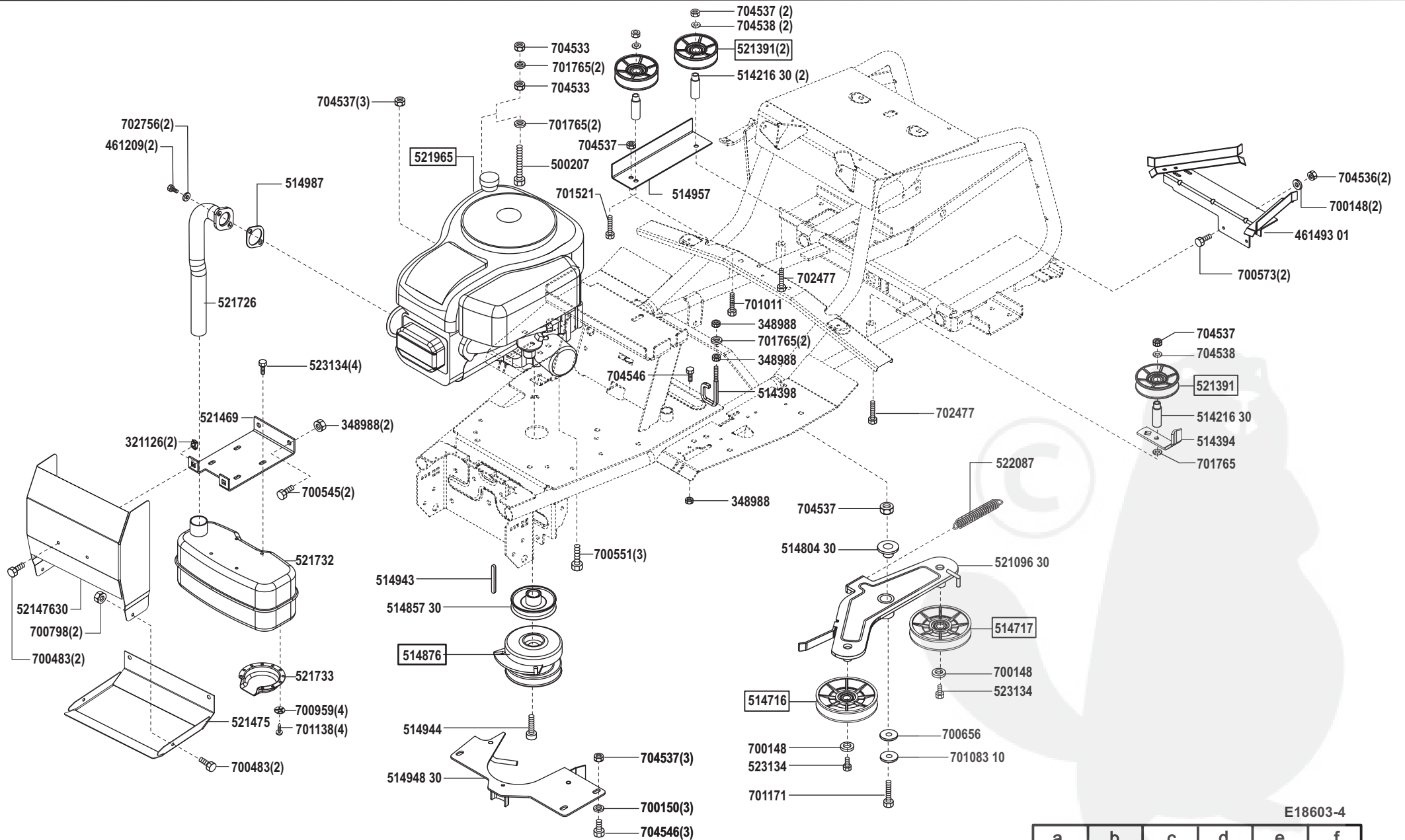


E18603-3

a	b	c	d	e	f
---	---	---	---	---	---

Power Line T15-102 HDS BIO-COMBI

Art. Nr. 118603

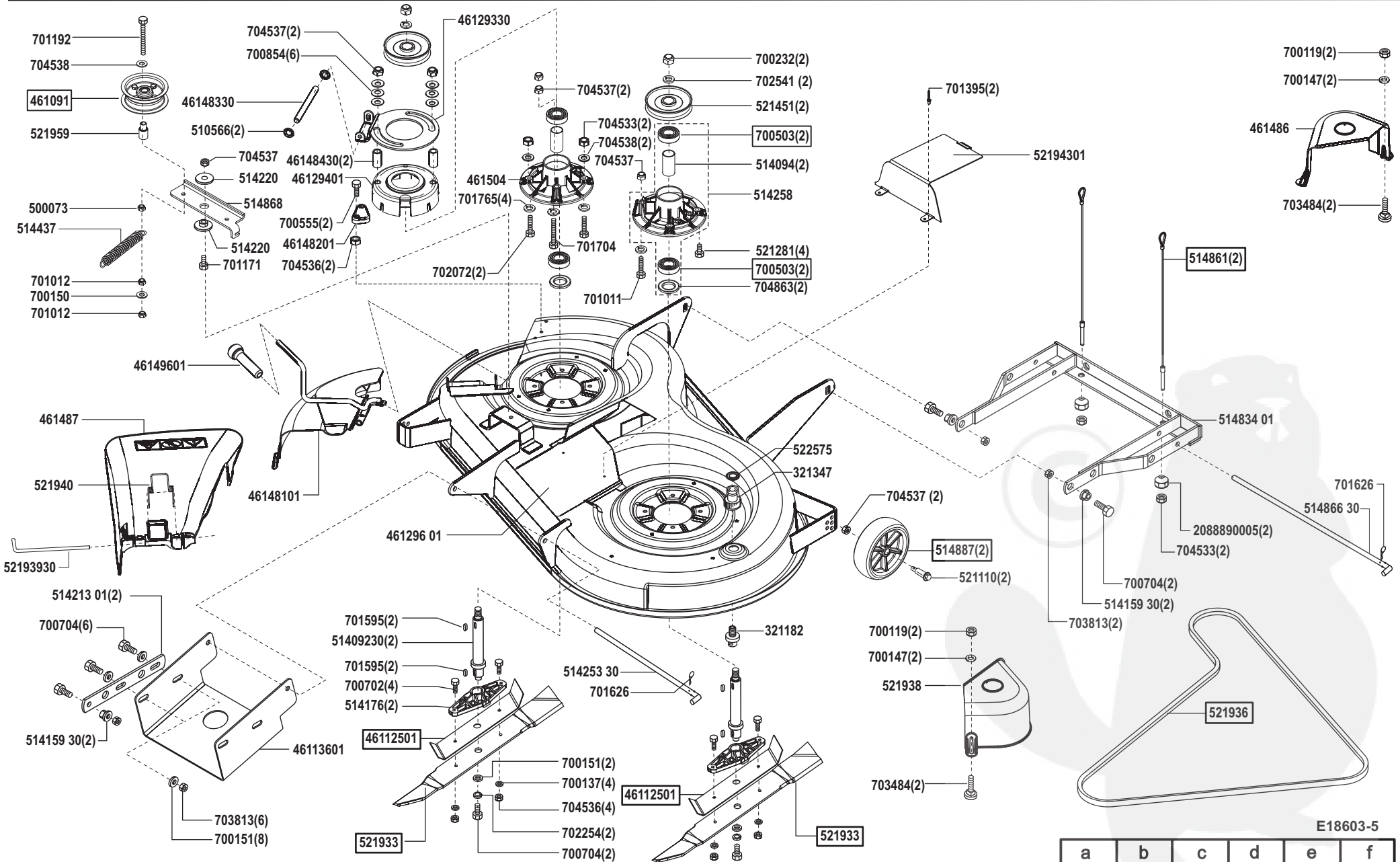


E18603-4

a	b	c	d	e	f
---	---	---	---	---	---

Power Line T15-102 HDS BIO-COMBI

Art. Nr. 118603

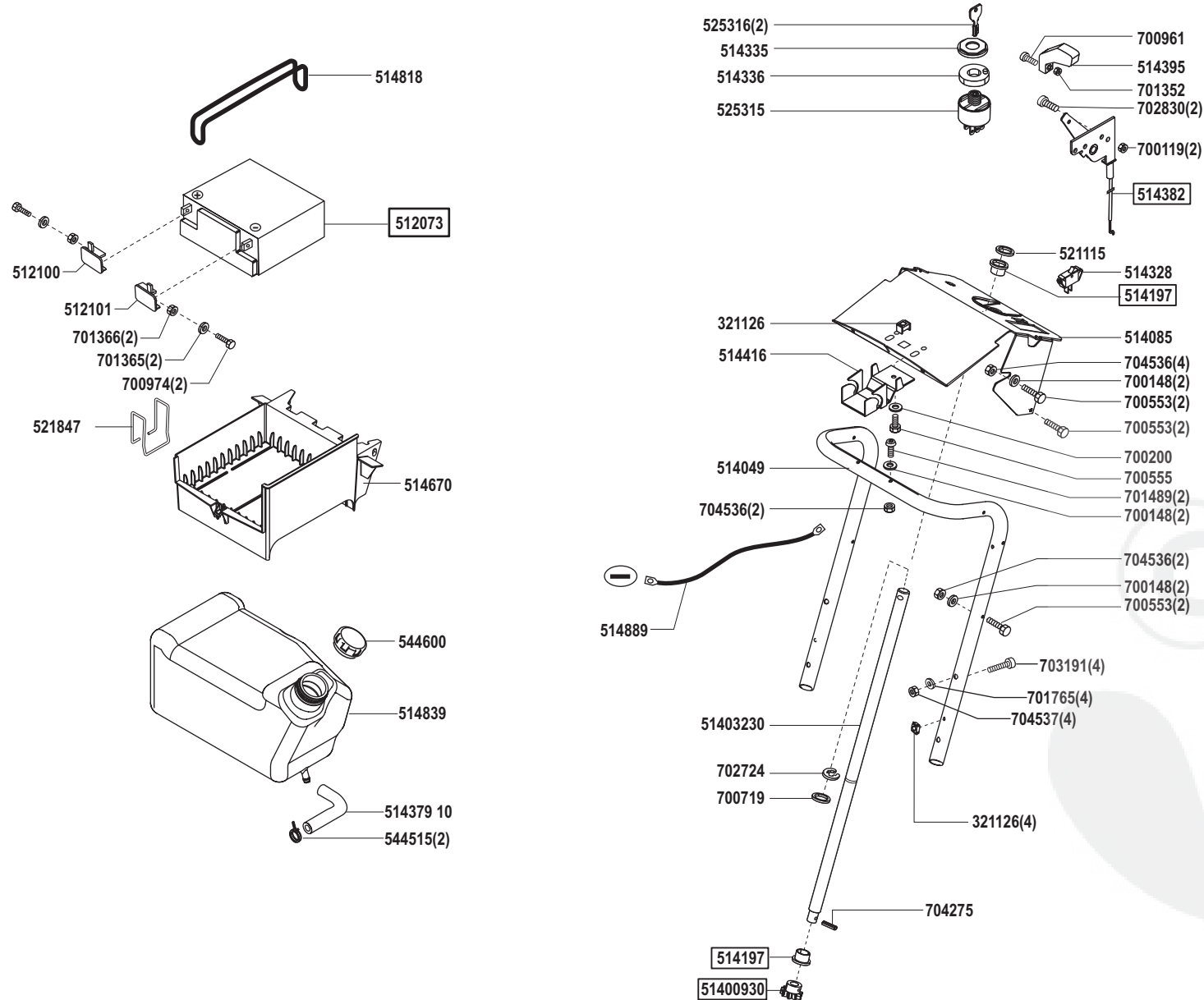


E18603-5

a	b	c	d	e	f
---	---	---	---	---	---

Power Line T15-102 HDS BIO-COMBI

Art. Nr. 118603

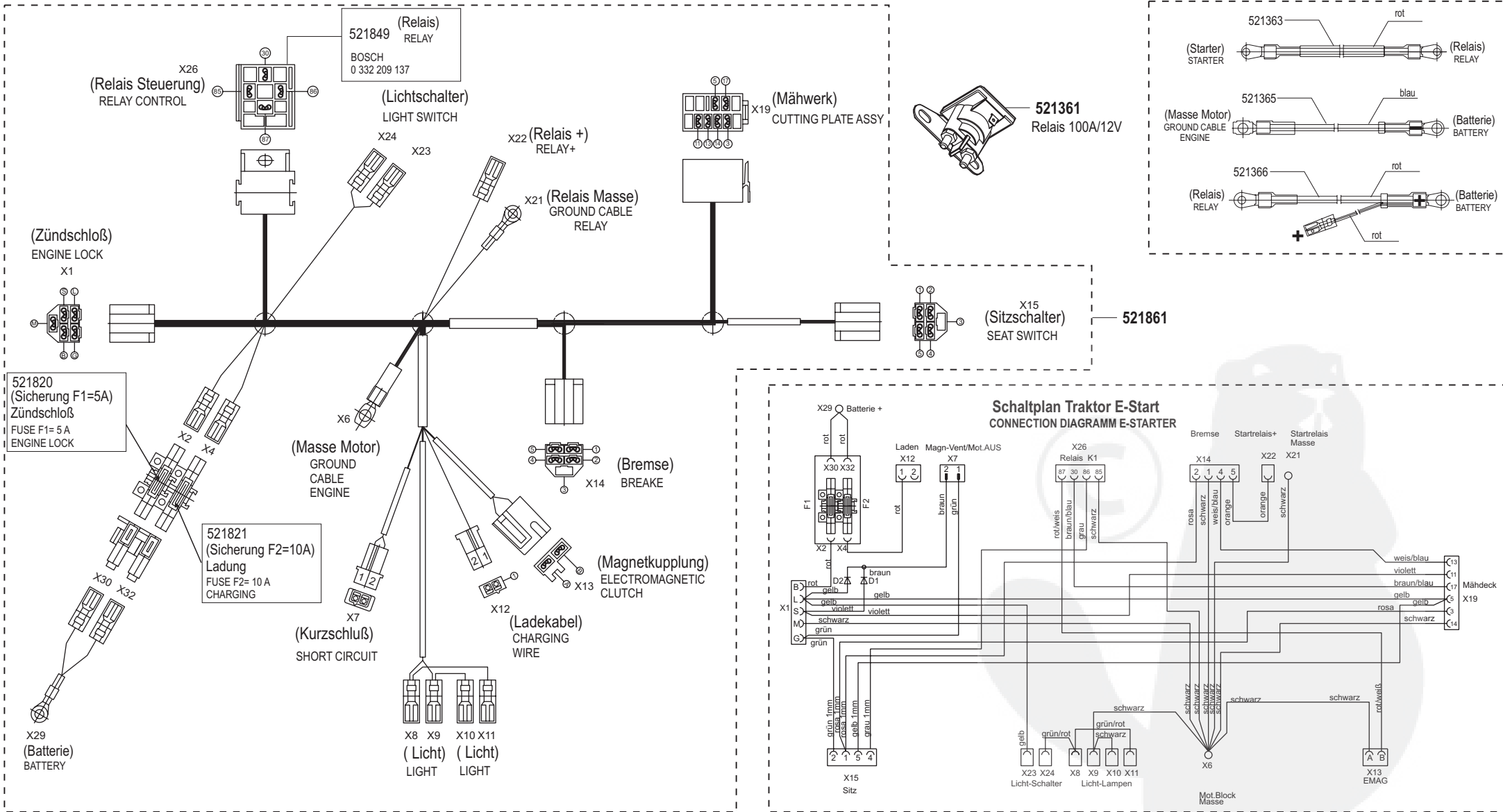


E18603-6

a	b	c	d	e	f
---	---	---	---	---	---

Power Line T15-102 HDS BIO-COMBI

Art. Nr. 118603



E18603-7

a	b	c	d	e	f
---	---	---	---	---	---