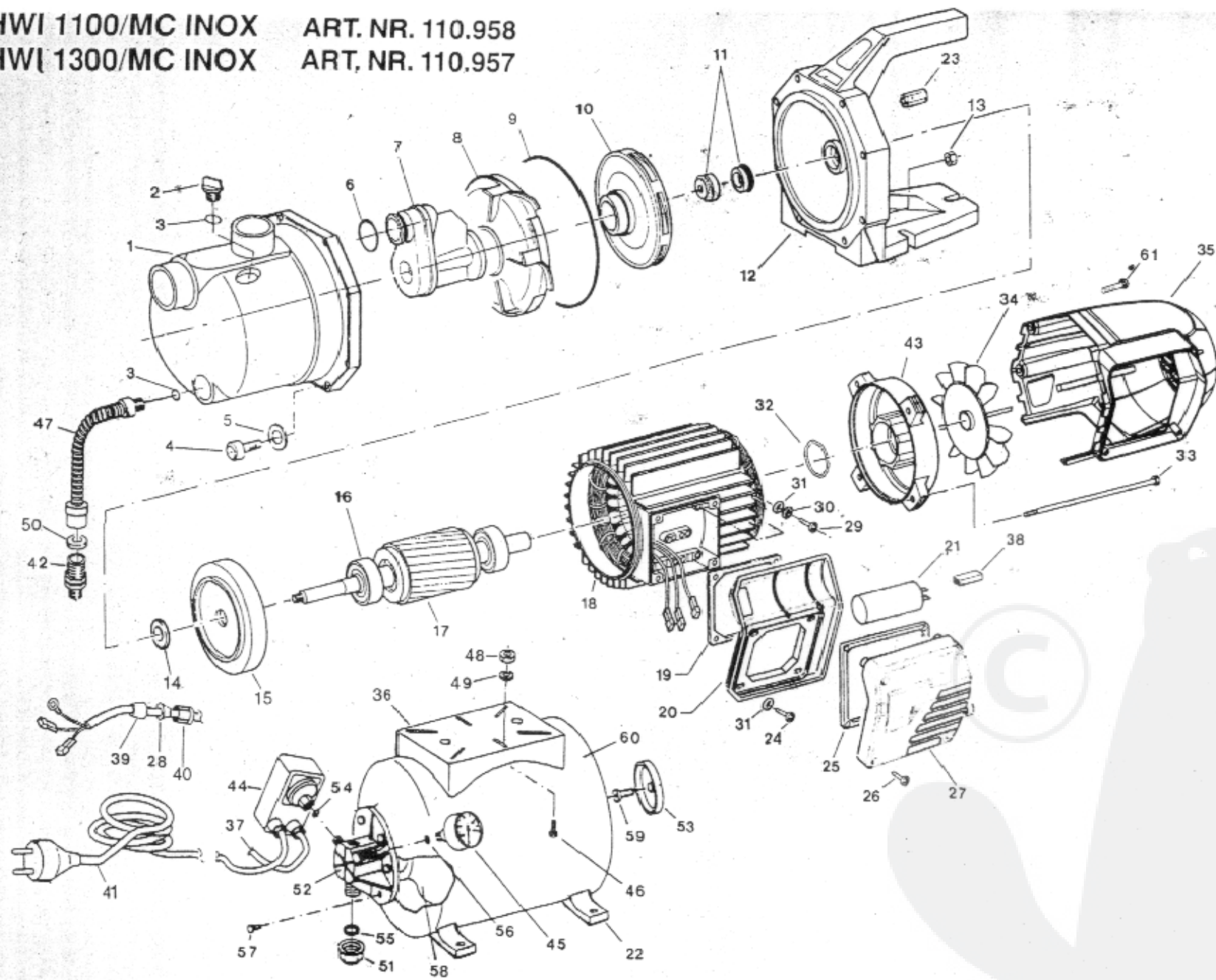


HWI 1100/MC INOX ART. NR. 110.958
HWI 1300/MC INOX ART. NR. 110.957



HWI 1100/MC INOX - HWI 1300/MC INOX					
Ref.	ET-NR	Modell	Ref.	ET-NR	Modell
1	<u>407.500</u>		35	409.638	
2	406.089		36	P259-P1510049	
3	<u>406.090</u>		37	407.509	
4	407.501		38	407.587	
5	409.634		39	<u>406.129</u>	
6	<u>406.095</u>		40	406.130	
7	406.096	HWI 1100/MC INOX	41	406.141	
7	406.152	HWI 1300/MC INOX	42	409.587	
8	<u>406.097</u>		43	406.123	
9	<u>406.098</u>		44	407.510	
10	<u>406.100</u>	HWI 1100/MC INOX	45	406.142	
10	<u>406.143</u>	HWI 1300/MC INOX	46	P259-P1100100	
11	<u>406.098</u>		47	407.663	
12	406.101		48	700.121	
13	406.102		49	700.150	
14	406.104		50	<u>409.532</u>	
15	406.103		51	409.652	
16	406.105		52	P259-S3600307	
17	409.552	HWI 1100/MC INOX	53	409.586	
17	409.553	HWI 1300/MC INOX	54	<u>407.511</u>	
18	409.625	HWI 1100/MC INOX	55	<u>409.651</u>	
18	409.632	HWI 1300/MC INOX	56	<u>406.094</u>	
19	<u>406.110</u>		57	407.513	
20	409.629		58	<u>406.145</u>	
21	406.113	HWI 1100/MC INOX	59	406.825	
21	406.149	HWI 1300/MC INOX	60	<u>P259-S3220018</u>	
22	P259-P1510048		61	409.628	
23	409.626				
24	406.114				
25	<u>409.630</u>				
26	406.116				
27	409.633				
28	409.575				
29	409.578				
30	700.959				
31	700.426				
32	406.122				
33	406.126				
34	406.124				

