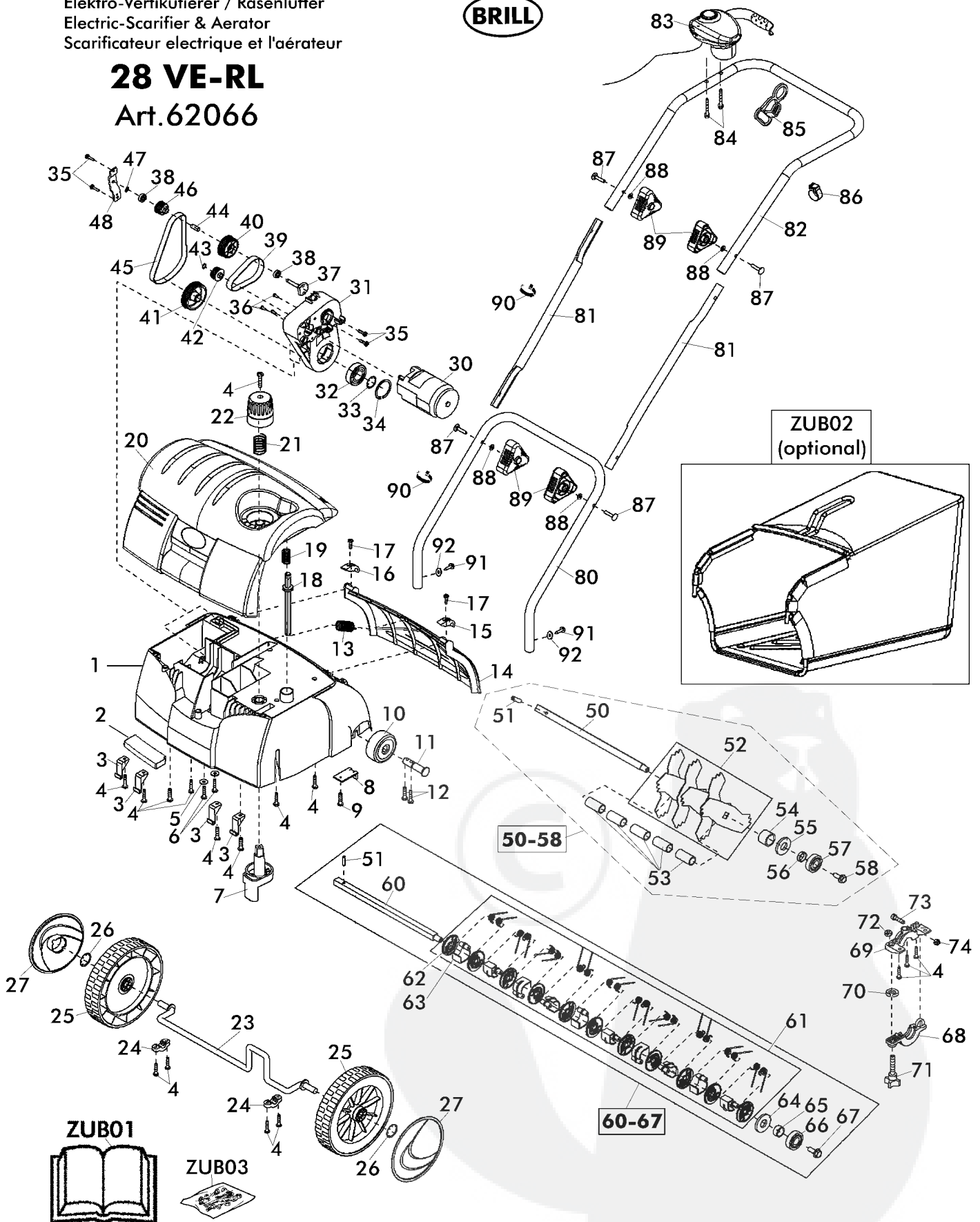


Elektro-Vertikutierer / Rasenlüfter  
 Electric Scarifier & Aerator  
 Scarificateur electrique et l'aérateur

# 28 VE-RL

## Art.62066



| 2/3                          | ELEKTRO-VERTIKUTIERER & Rasenlüfter    |                                |  | 28 VE-RL - Art. 62066  |
|------------------------------|--|--------------------------------|--|------------------------|
| 2006                         | Electric Scarifiers & Aerator          |                                |  |                        |
| Rev20060510                  | Scarificateur electrique et l'aérateur |                                |  |                        |
| Bild Nr.<br>REF.N°<br>POS.N° | BEST.-NR.<br>PART-N°<br>N° d. PIECE    | BEZEICHNUNG                    | DESCRIPTION  | Anzahl<br>Qty.<br>Qte. |
| 1                            | A46028234                              | Gehäuse 62066                  | Chassis 62066  | 1                      |
| 2                            | A46216001                              | Einlage Schaumstoff            | Foam insert  | 1                      |
| 3                            | A462155                                | Haltewinkel                    | Angle  | 2                      |
| 4                            | A510176                                | Schraube KB 50x22              | Screw KB 50x22   | 14                     |
| 5                            | 06843                                  | Scheibe DIN 9021-5,3           | Washer DIN 9021-5,3  | 2                      |
| 6                            | 09101                                  | Schraube 5X 25 7985- 4.8-H VZ  | Screw 5X 25 7985- 4.8-H VZ   | 2                      |
| 7                            | A460287                                | Höhenverstellteil              | Height-Adjustment  | 1                      |
| 8                            | A462180                                | Haltewinkel                    | Angle  | 1                      |
| 9                            | A511615                                | Schraube                       | Screw  | 1                      |
| 10                           | A46030201                              | Stützrad                       | Wheel  | 2                      |
| 11                           | A460302                                | Laufradbolzen                  | Wheel bolt   | 2                      |
| 12                           | 09295                                  | Schraube PT-KB 40X20           | Screw PT-KB 40X20  | 4                      |
| 13                           | A460574                                | Feder                          | Spring   | 1                      |
| 14                           | A46028422                              | Heckklappe                     | Rear flap  | 1                      |
| 15                           | A460390                                | Klappenhalter links            | Flap connector left  | 1                      |
| 16                           | A460389                                | Klappenhalter rechts           | Flap connector right   | 1                      |
| 17                           | A511615                                | Schraube KB 4,0x16             | Screw KB 4,0x16  | 2                      |
| 18                           | A460384                                | Verstellwelle                  | Adjustment shaft   | 1                      |
| 19                           | A460493                                | Feder                          | Spring   | 1                      |
| 20                           | A46215247                              | Haube                          | Cover  | 1                      |
| 21                           | A460494                                | Feder                          | Spring   | 1                      |
| 22                           | A46215322                              | Verstellgriff                  | Adjustment grip  | 1                      |
| 23                           | A460285                                | Vorderachse 28                 | Front axle 28  | 1                      |
| 24                           | A460307                                | Achshalter                     | Axle clamp   | 2                      |
| 25                           | A46029901                              | Laufrad                        | Wheel  | 2                      |
| 26                           | A460771                                | Schnellbefestiger              | Fastener   | 2                      |
| 27                           | A46215422                              | Radkappe                       | Wheel cap  | 2                      |
| 30                           | A460311                                | Elektromotor                   | Electric motor   | 1                      |
| 31                           | A460288                                | Getriebegehäuse                | Gearbox-housing  | 1                      |
| 32                           | A460297                                | Kugellager                     | Ball bearing   | 1                      |
| 33                           | A701296                                | Sicherungsring 25x1,2          | Circlip 25x1,2   | 1                      |
| 34                           | A702716                                | Sicherungsring 52x2            | Circlip 52x2   | 1                      |
| 35                           | A702761                                | Schraube DIN 7985 6x25         | Screw DIN 7985 6x25  | 4                      |
| 36                           | A531789                                | PT-Schraube KB 50x12           | PT-screw KB 50x12  | 3                      |
| 37                           | A460396                                | Führungsbolzen                 | Guide bolt   | 1                      |
| 38                           | A460296                                | Kugellager                     | Ball bearing   | 2                      |
| 39                           | A460295                                | Zahnriemen                     | Tooth belt   | 1                      |
| 40                           | A460290                                | Zahnrad                        | Tooth wheel  | 1                      |
| 41                           | A460289                                | Zahnrad                        | Tooth wheel  | 1                      |
| 42                           | A460292                                | Zahnrad                        | Tooth wheel  | 1                      |
| 43                           | A700413                                | Sicherungsring DIN 471 10x1    | Circlip DIN 471 10x1   | 1                      |
| 44                           | A460298                                | Bolzen                         | Bolt   | 1                      |
| 45                           | A460294                                | Zahnriemen                     | Tooth belt   | 1                      |
| 46                           | A460291                                | Zahnrad                        | Tooth wheel  | 1                      |
| 47                           | A701648                                | Sicherungsring 8x0,8           | Circlip 8x0,8  | 1                      |
| 48                           | A460395                                | Metallbügel                    | Bracket  | 1                      |
| 50-58                        | 62068                                  | Vertikutierwalze 28 komplett   | Scarifier cylinder assy. 28 cpl.   | 1                      |
| 50                           | A460306                                | Messerwelle                    | Blade shaft  | 1                      |
| 51                           | A701980                                | Spannhülse 6x24                | Split pin  | 1                      |
| 52                           | A460773                                | Vertikutier-Messersatz         | Scarifier-blade set  | 1                      |
| 53                           | A460304                                | Distanzrohr                    | Spacer   | 5                      |
| 54                           | A460305                                | Distanzrohr                    | Spacer   | 1                      |
| 55                           | A700507                                | Tellerfeder 2093-25,5x12,2x0,9 | Disc spring 2093-25,5x12,2x0,9   | 1                      |
| 56                           | A460310                                | Distanzhülse                   | Spacer   | 1                      |

| 3/3                          | ELEKTRO-VERTIKUTIERER & Rasenlüfter    |                                |  | 28 VE-RL - Art. 62066  |
|------------------------------|--|--------------------------------|--|------------------------|
| 2006                         | Electric Scarifiers & Aerator          |                                |  |                        |
| Rev20060510                  | Scarificateur electrique et l'aérateur |                                |  |                        |
| Bild Nr.<br>REF.N°<br>POS.N° | BEST.-NR.<br>PART-N°<br>N° d. PIECE    | BEZEICHNUNG                    | DESCRIPTION  | Anzahl<br>Qty.<br>Qte. |
| 57                           | 12286                                  | Kugellager DIN 625-2RS 6001    | Ball bearing DIN 625-2RS 6001  | 1                      |
| 58                           | A373702                                | Tensilock-Schraube 6x16 vz     | Tensilock-screw 6x16 vz  | 1                      |
| 60-67                        | 62069                                  | Federrechen komplett           | Aerator cylinder assy. 28 cpl  | 1                      |
| 60                           | A460467                                | Federrechenwelle               | Aerator shaft  | 1                      |
| 61                           | A460772                                | Federnsatz komplett            | Aerator-spring-set cpl.  | 1                      |
| 62                           | A460394                                | Führungsscheibe                | Guide washer   | 11                     |
| 63                           | A460393                                | Clip                           | Clip   | 10                     |
| 64                           | A700507                                | Tellerfeder 2093-25,5x12,2x0,9 | Disc spring 2093-25,5x12,2x0,9   | 1                      |
| 65                           | A460469                                | Distanzhülse                   | Spacer   | 1                      |
| 66                           | 12286                                  | Kugellager DIN 625-2RS 6001    | Ball bearing DIN 625-2RS 6001  | 1                      |
| 67                           | A373702                                | Tensilock-Schraube 6x16 vz     | Tensilock-screw 6x16 vz  | 1                      |
| 68                           | A460314                                | Lagerschale unten              | Lower bearing case   | 1                      |
| 69                           | A460313                                | Lagerschale oben               | Upper bearing case   | 1                      |
| 70                           | A703094                                | Distanzscheibe                 | Spacer   | 1                      |
| 71                           | A460442                                | Sterngriffschraube             | Star grip screw  | 1                      |
| 72                           | 06666                                  | Mutter DIN 934 6 vz            | Nut DIN 934 6 vz   | 1                      |
| 73                           | A460783                                | Schraube                       | Screw  | 1                      |
| 74                           | 06682                                  | Mutter DIN 985-5 vz            | Nut DIN 985-5 vz   | 1                      |
| 80                           | A46218134                              | Gestänge-Unterteil             | Lower handle bar   | 1                      |
| 81                           | A46215934                              | Holmrohr                       | Handle tube  | 2                      |
| 82                           | A46056134                              | Gestänge-Oberteil              | Upper handle bar   | 1                      |
| 83                           | 14953                                  | Totmannschalter                | Death-man switch   | 1                      |
| 84                           | A349507                                | Schraube KFT 4x25              | Screw KFT 4x25   | 2                      |
| 85                           | 10962                                  | Zugentlastung                  | Cable tension guard  | 1                      |
| 86                           | 11311                                  | Anschlag 20 Durchmesser        | Dead stop 20   | 1                      |
| 87                           | 11225                                  | Schraube DIN 603 6x30 (35)     | Screw DIN 603 6x30 (35)  | 4                      |
| 88                           | 06464                                  | Scheibe DIN 125-A6,4           | Washer DIN 125-A6,4  | 4                      |
| 89                           | A46215722                              | Holmspanngriff                 | Handle grip nut  | 4                      |
| 90                           | A343246                                | Kabelband                      | Cable strip  | 2                      |
| 91                           | 10268                                  | Schraube 7981-4,8x19           | Screw 7981-4,8x19  | 2                      |
| 92                           | A700376                                | Scheibe                        | Washer   | 2                      |
| ZUBEHÖR                      |  |                                | ACCESSORIES  |                        |
| ZUB01                        | 14963                                  | Gebrauchsanweisung 62066       | Instruction for use 62066  | 1                      |
| ZUB02                        | 62067                                  | Fangsack ca.45 l komplett      | Grass catcher box assy. 28 VE-RL cpl.  | 1                      |
| ZUB03                        | A462470                                | Schraubenbeutel kpl.           | Screw accessories pack   | 1                      |