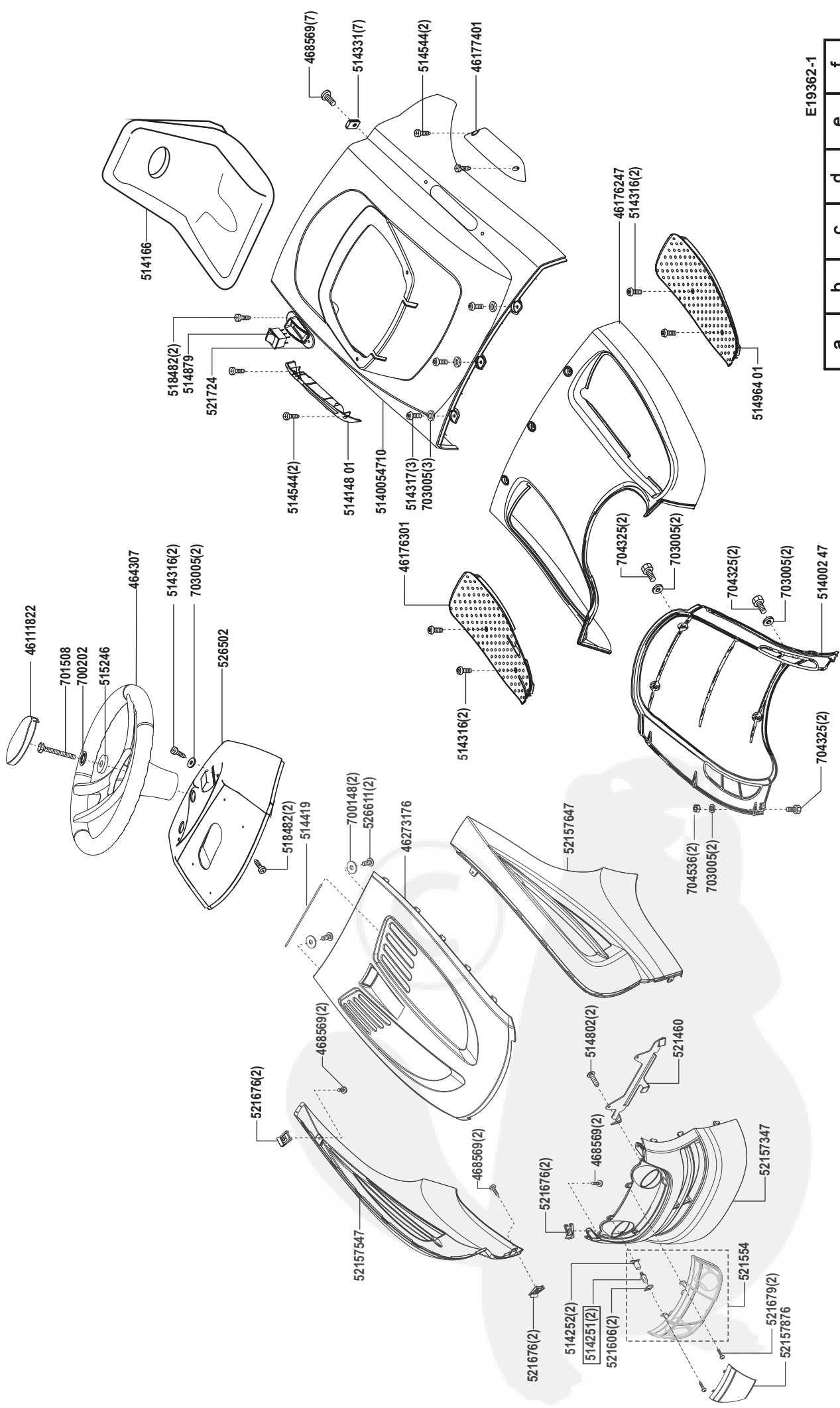


Crossover 102/15h

Art. 119362

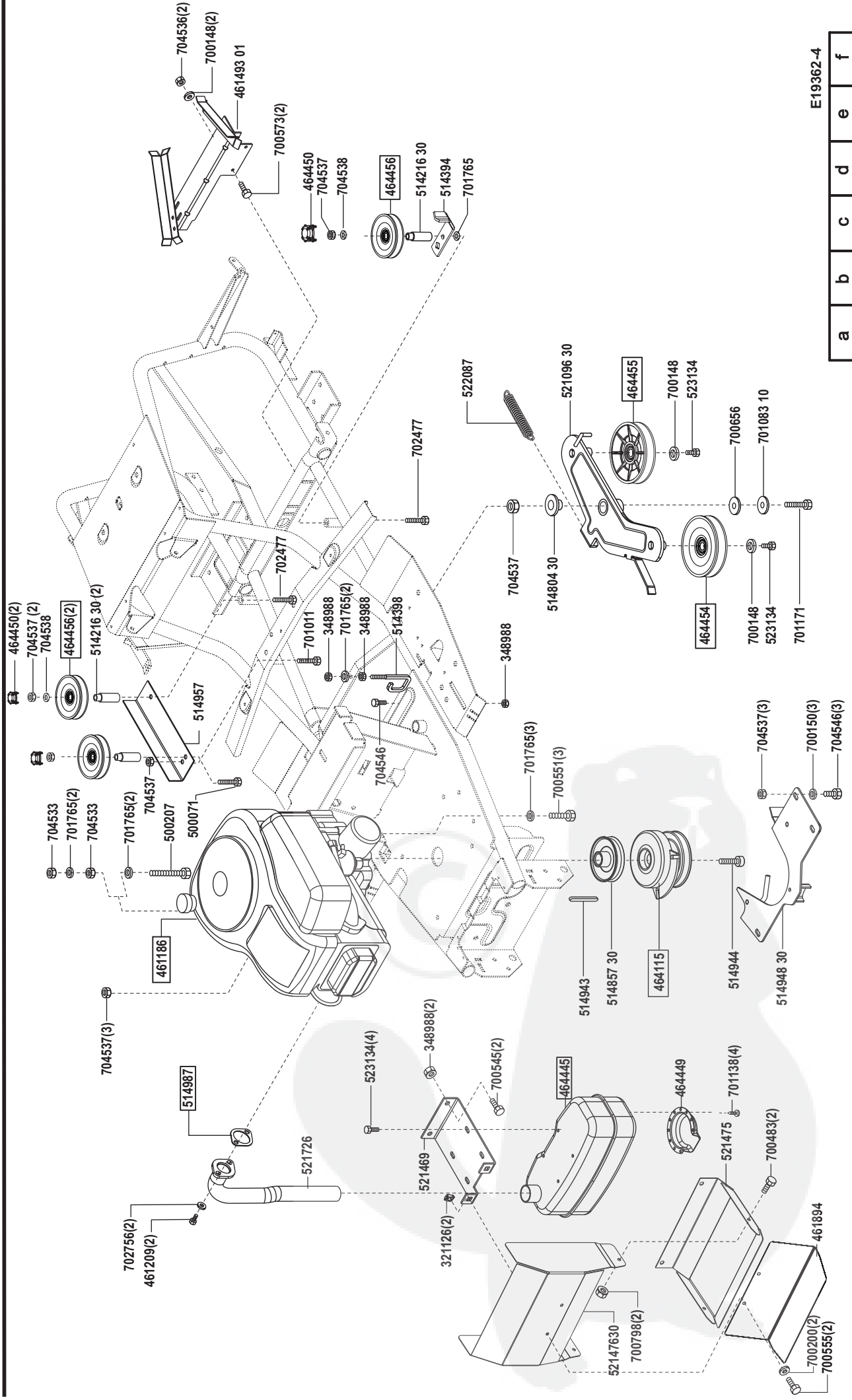


E19362-1

a	b	c	d	e	f
---	---	---	---	---	---

Crossover 102/15h

Art. 119362

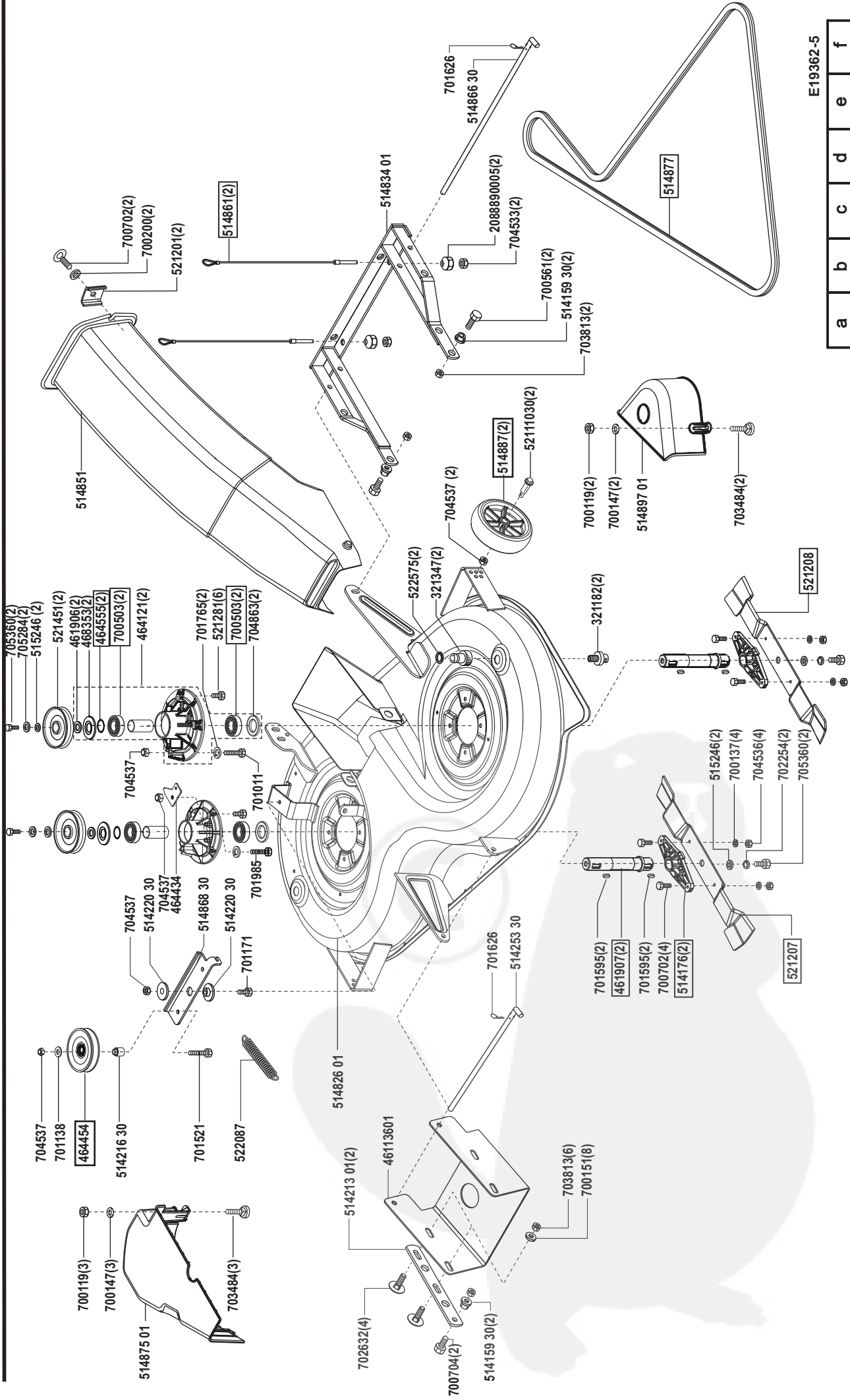


E19362-4

a	b	c	d	e	f
---	---	---	---	---	---

Crossover 102/15h

Art. 119362

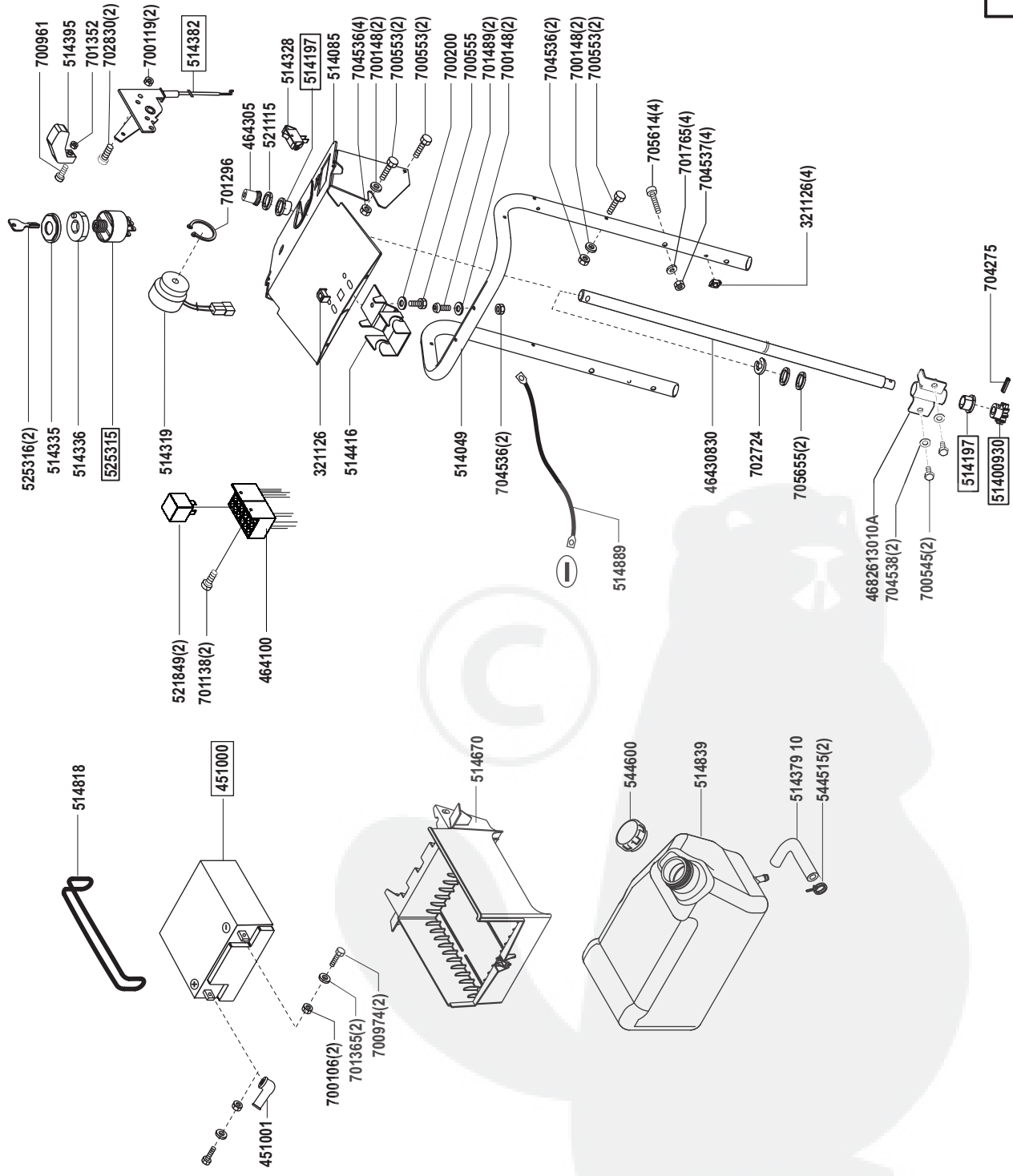


E19362-5

a	b	c	d	e	f
---	---	---	---	---	---

Crossover 102/15h

Art. 119362

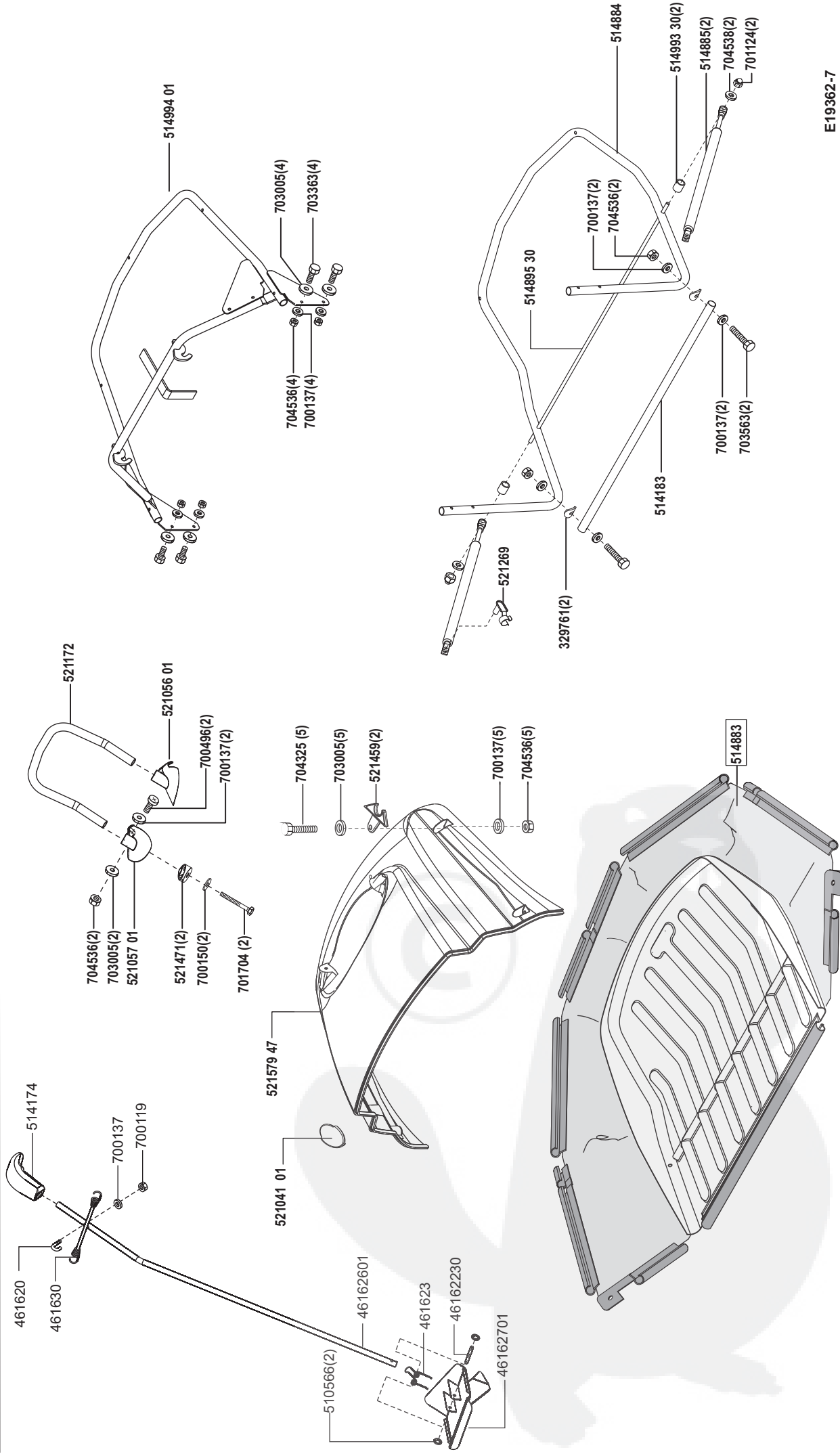


E19362-6

a b c d e f

Crossover 102/15h

Art. 119362



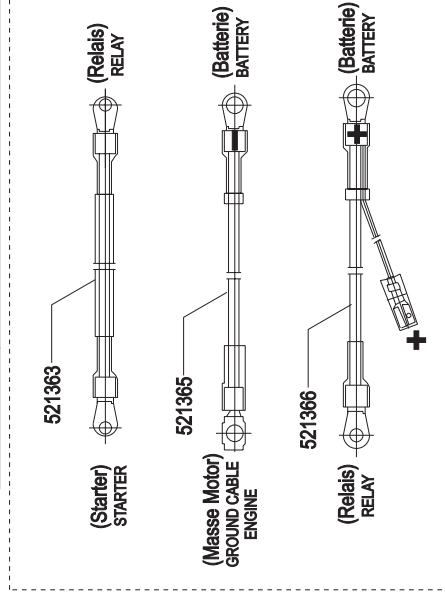
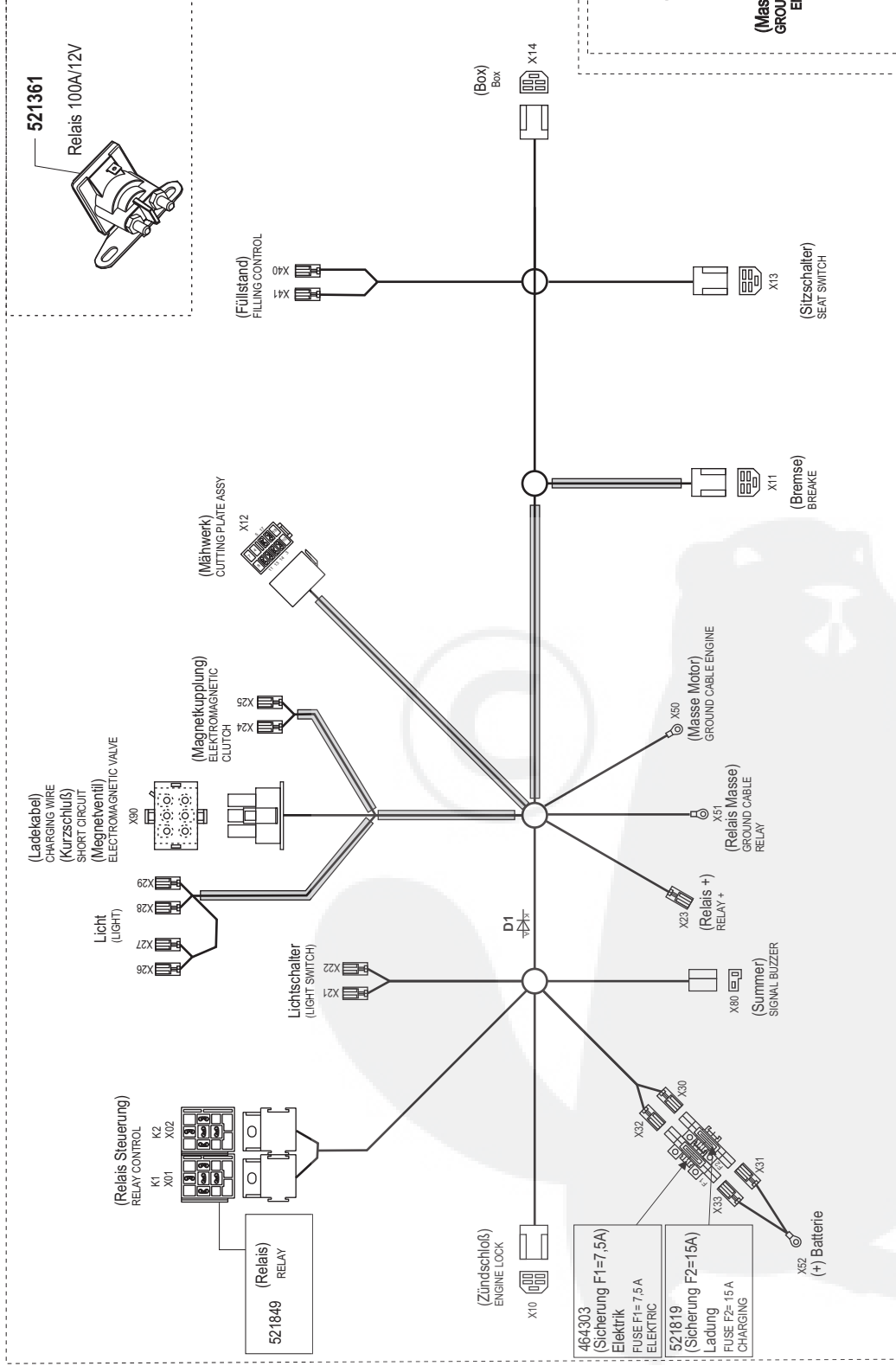
E19362-7

a	b	c	d	e	f
---	---	---	---	---	---

Crossover 102/15h

Art. 119362

(Sicherung) FUSE	F1 F2
(Summer) SIGNAL BUZZER	X80
(Ladefaktor) CHARGING WIRE (Kurzschluss) SHORT CIRCUIT (Magnetventil) ELECTROMAGNETIC VALVE	X80
(Bremsse) BREAK	X11
(Sitzschalter) SEAT SWITCH	X13
(Box) Box	X14
(Zündschloß) ENGINE LOCK	X10
D1	
(Mähwerk) CUTTING PLATE ASSY	X12
(Relais Steuerung) RELAY CONTROL	K1 X01
(Relais Steuerung) RELAY CONTROL	K2 X02

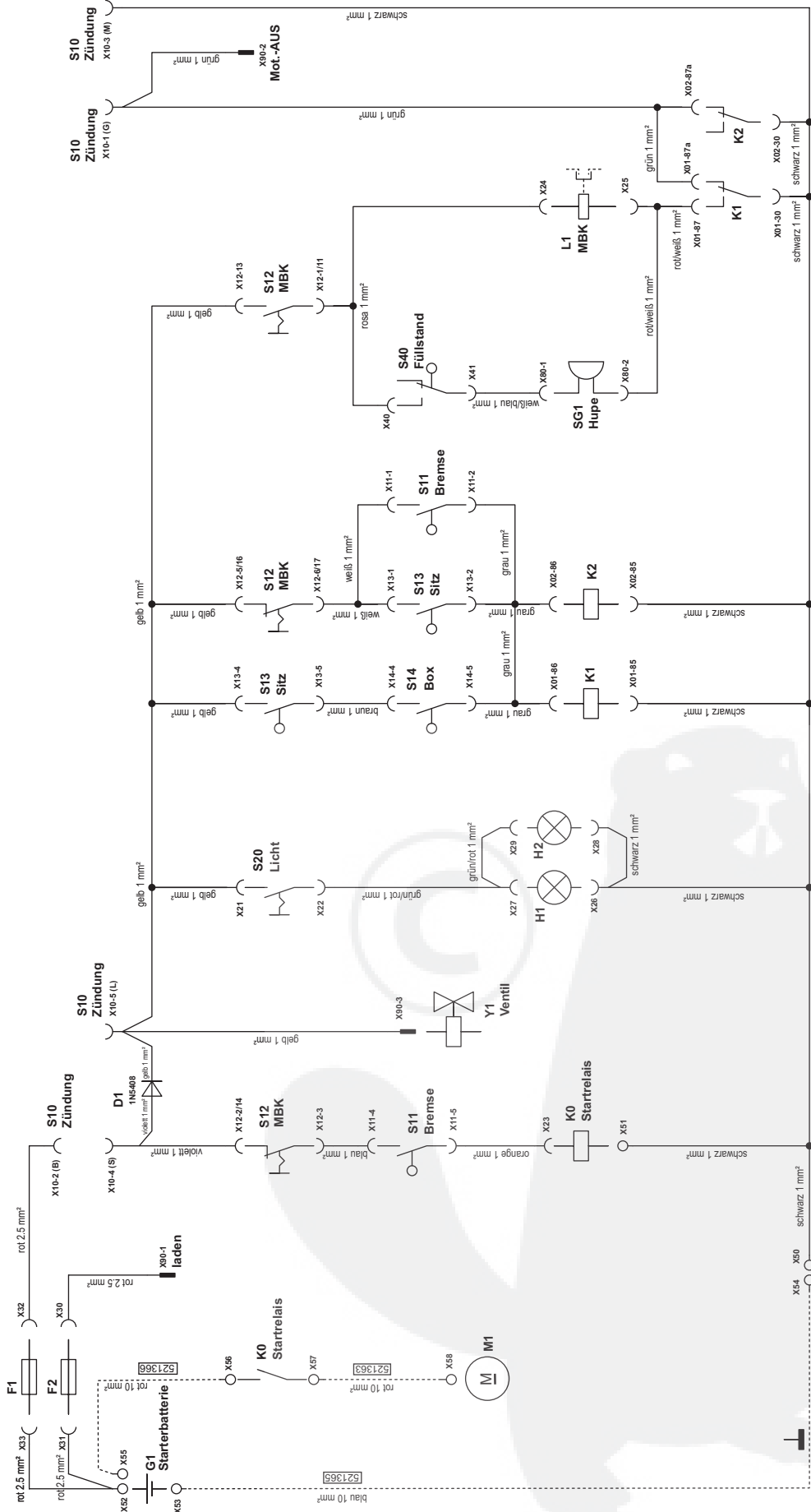


E19362-8

a	b	c	d	e	f
---	---	---	---	---	---

Crossover 102/15h

Art. 119362



E19362-9

a	b	c	d	e	f
---	---	---	---	---	---