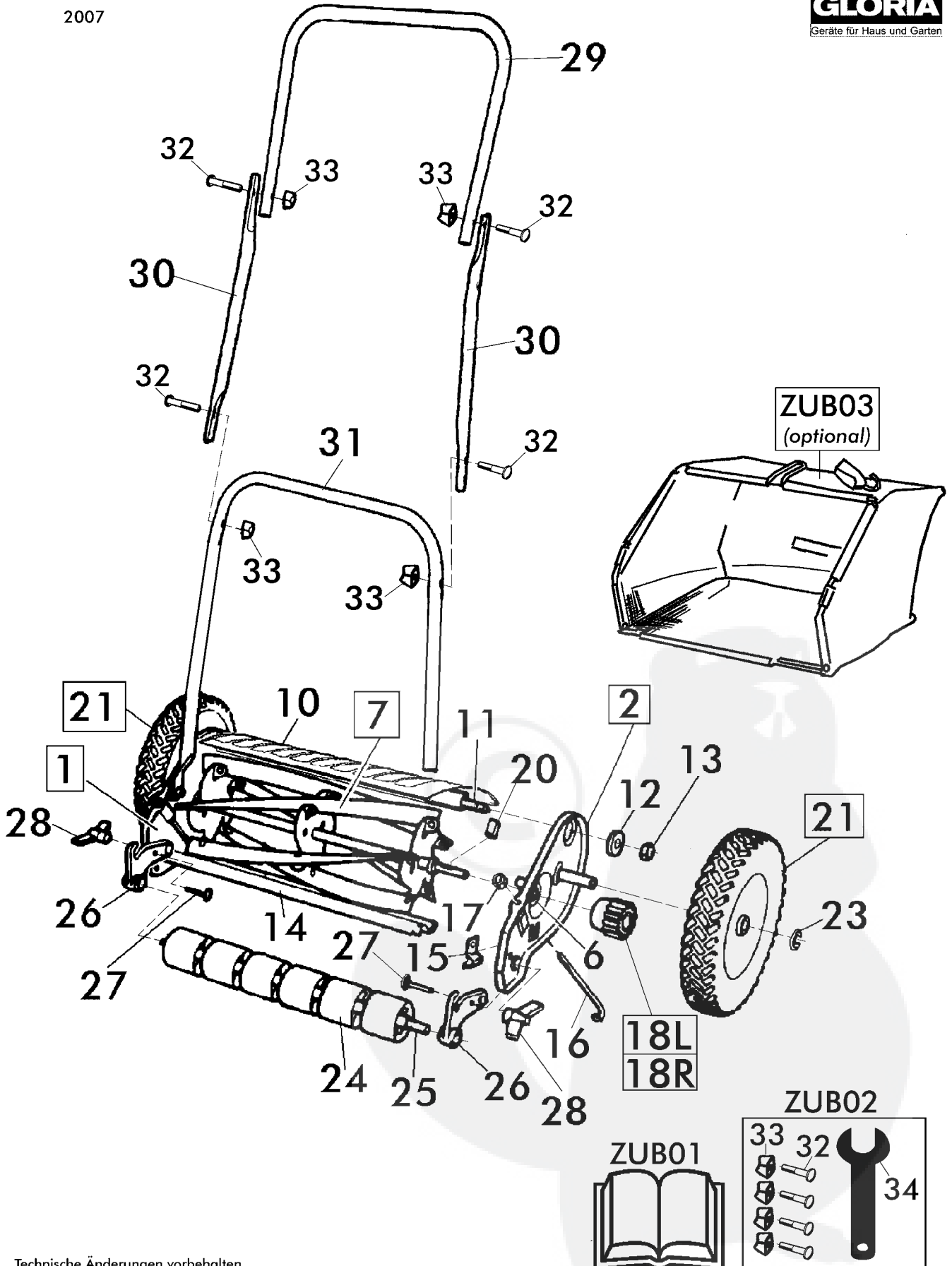


CLASSIC 30
Art. 78357
2007



Technische Änderungen vorbehalten

| 2/2 | HANDRASENMAEHER | | |   <small>Specials for Home and Garden</small> |
|------------------------------|--------------------------------------|------------------------------------|---|--|
| 2007 | HAND MOWERS | | CLASSIC 30 - Art. 78357 | |
| Rev20061115 | Tondeuse á main | | 2007 | |
| Bild Nr. REF.N° POS.N° | BEST.-NR. PART-NO. NO d. PIECE | BEZEICHNUNG | DESCRIPTION | Anzahl Qty. Qte. |
| 1 | 13092 | SEITENBACKE LINKS KPL. | FRAME L.H.ASSY. | 1 |
| 2 | 13091 | SEITENBACKE RECHTS KPL. | FRAME R.H.ASSY. | 1 |
| 6 | 00304 | KUGELLAGER | BALL BEARING | 2 |
| 7 | 09232 | MESSERWALZE 30 CM (78355) | CUTTING CYLINDER 33 | 1 |
| 10 | 11082 | VERBINDUNGSROHR CLASSIC 30 BEDR. | CONNECTION TUBE 30 | 1 |
| 11 | 06618 | SCHRAUBE DIN 931-8X334 | SCREW DIN 931 | 1 |
| 12 | 06781 | SCHEIBE DIN 7349-8,4 | WASHER DIN 7349 | 2 |
| 13 | 11352 | SKT-MUTTER M8 | HEX NUT D 934-8 | 1 |
| 14 | 11070 | UNTERMESSER 30 CM | LOWER BLADE ASSY 30 | 1 |
| 15 | 02256 | SPANNFEDER | TENSION SPRING | 2 |
| 16 | 00250 | NACHSTELLSCHRAUBE | ADJUSTING SCREW | 2 |
| 17 | 01541 | MUTTER Z.STELLSCHRAUBE | NUT | 2 |
| 18 L | 00274 | SPERRZAHNRAD LKS. | RATCHET WHEEL /L | 1 |
| 18 R | 00275 | SPERRZAHNRAD RTS. | RATCHET WHEEL /R | 1 |
| 20 | 00219 | SPERRHAKEN | BLOCK-CLAMP | 2 |
| 21 | 11075 | LAUFRAD RAL2002 KPL. | WHEEL ASSY RAL2002 | 2 |
| 23 | 06760 | SI-SCHEIBE DIN 6799-9 | LOCK WASHER 6799-9 | 2 |
| 24 | 03014 | LAUFROLLE 00020 | REAR ROLLER | 6 |
| 25 | 00205 | LAUFROLLENACHSE 30 | REAR ROLLER AXLE 30 | 1 |
| 26 | 00224 | LAUFROLLENLAGER | REAR ROLLER BEARING | 2 |
| 27 | 06528 | SCHRAUBE DIN 603-5x30 vz | HEX HD SCREW | 2 |
| 28 | 05836 | FLÜGELMUTTER M5 (05800) | WRING NUT | 2 |
| 29 | 15280 | GEST.-OBERTEIL 30-2007 | UPPER HANDLE ASSY. 30-2007 | 1 |
| 30 | 15281 | GEST.-MITTELTEIL 30-2007 | MIDDLE HANDLE ASSY. 30-2007 | 1 |
| 31 | 15282 | GEST.-UNTERTEIL 30-2007 | LOWER HANDLE ASSY. 30-2007 | 1 |
| | | ZUBEHÖR | ACCESSORIES | |
| ZUB 01 | 12853 | GEBRAUCHSANWEISUNG CLASSIC/LUXUS | INSTRUCTION FOR USE | 1 |
| ZUB 02 | 09820 | ZUBEHÖRBEUTEL 30 (70030/78355) | ACCESSORIES UNIT CPL. 30 | 1 |
| 32 | 06527 | SCHRAUBE DIN 603-5X25 | HEX HD SCREW | 4 |
| 33 | 02690 | FLÜGELMUTTER 70060 RAL2002 | WRING NUT 70060 | 4 |
| 34 | 00238 | MAULSCHLÜSSEL | WRENCH | 1 |
| ZUB 03 | 65061 | RazorCut-FANGSACK 30/33 (optional) | RazorCut-GRASS CATCHER 30/33 (optional) | 1 |