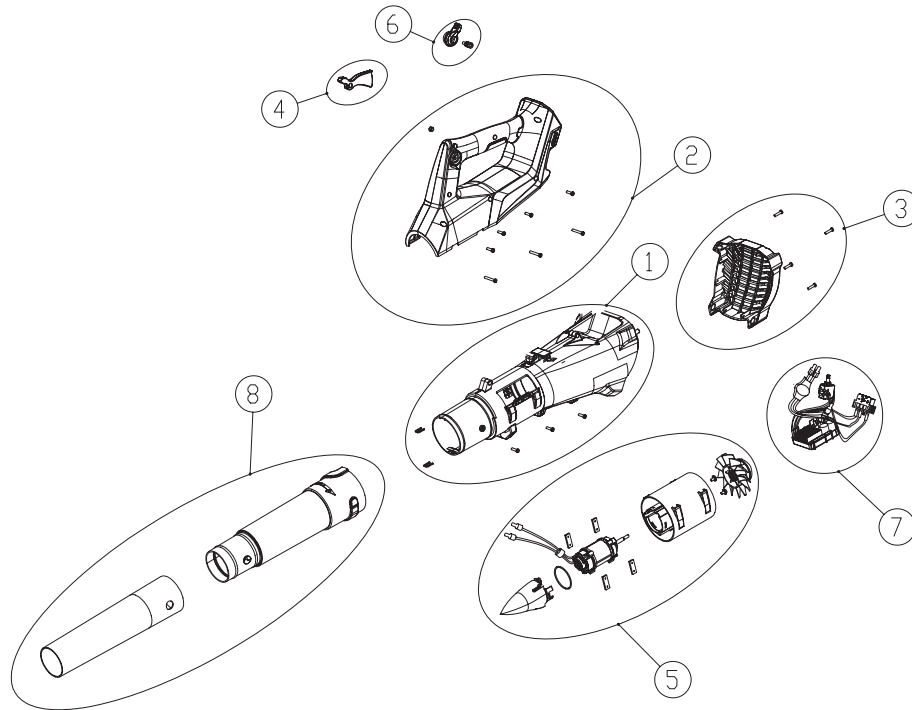




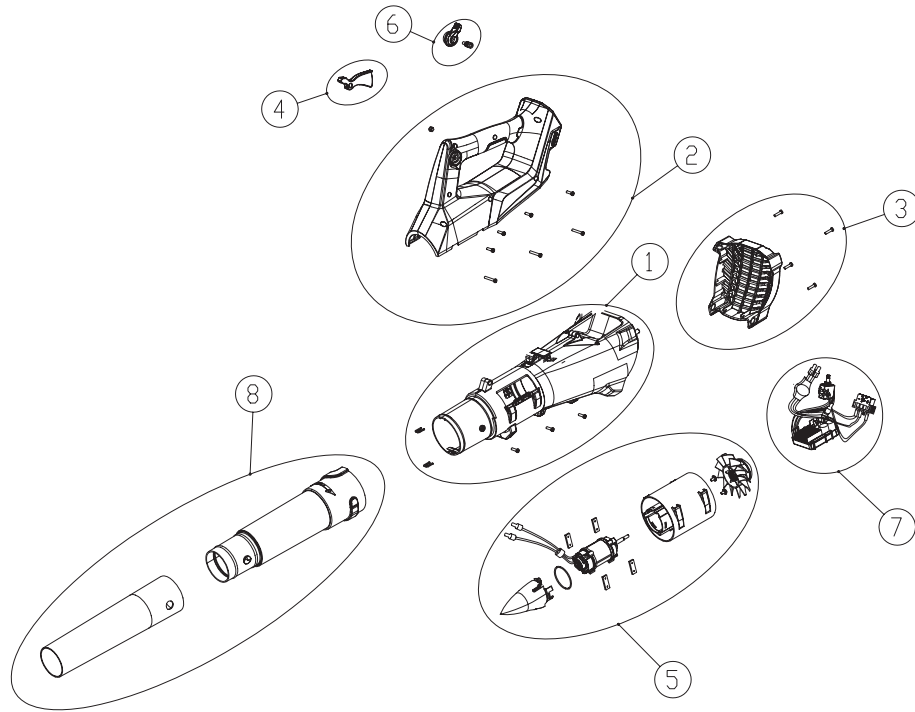
Blower 40B730 2400486



POSITION	PNC	DESCRIPTION	QTY	UOM
1	RA341011809G	Housing assembly	1	set
1-1		Left housing	1	pcs
1-2		Right housing	1	pcs
1-3		U-buckle	2	pcs
1-4		Screw ST4×16-F HSF	3	pcs
2	RA341031809G	Handle assembly	1	set
2-1		Left handle	1	pcs
2-2		Right handle	1	pcs
2-3		M5 grip nut	1	pcs
2-4		Cross recessed pan head self-tapping screw ST4X30-C	3	pcs
2-5		Screw ST4×16-F HSF	4	pcs
3	RA341051809M	Air inlet cover assembly	1	set
3-1		Air inlet cover	1	pcs
3-2		Screw ST4×16-F HSF	4	pcs
4	RA341031816M	Switch trigger assembly	1	set
4-1		Switch trigger	1	pcs
5	RA36101819A	Motor duct assembly	1	set
5-1		40V axial blower motor	1	pcs
5-2		Duct	1	pcs
5-3		Fan	1	pcs
5-4		Deflection cone	1	pcs
5-5		Fan connector	1	pcs
5-6		O-ring	1	pcs
5-8		Screw ST4×10	3	pcs
5-9		Motor shock pad	4	pcs
6	RA341041816M	Cruise knob assembly	1	set
6-1		Cruise knob	1	pcs
6-2		Cross recessed pan head screwM5X20	1	pcs
6-3		Elastic pad	1	pcs
6-4		Plate pad	2	pcs
7	RA362010819	Pcb assembly	1	set



Blower 40B730 2400486



POSITION	PNC	DESCRIPTION	QTY	UOM
7-1		PCB	1	pcs
7-2		Shrinkable tube	30	cm
7-3		housing insert seat	1	pcs
7-4		Speed switch	1	pcs
7-5		B-terminal	1	pcs
8	RA34103811A	Tube assembly	1	set
8-1		Blower tube	1	pcs

