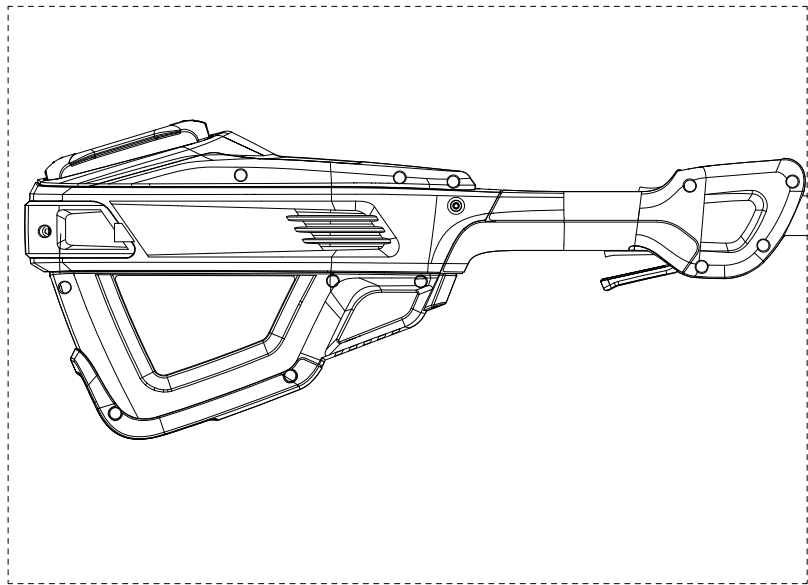


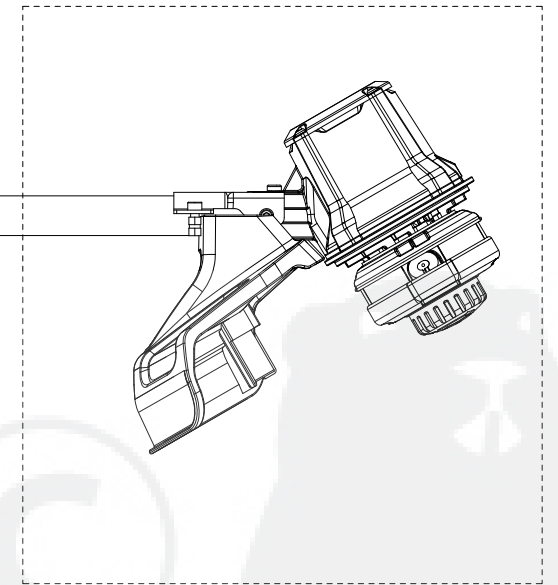
Handle and housing



Rod

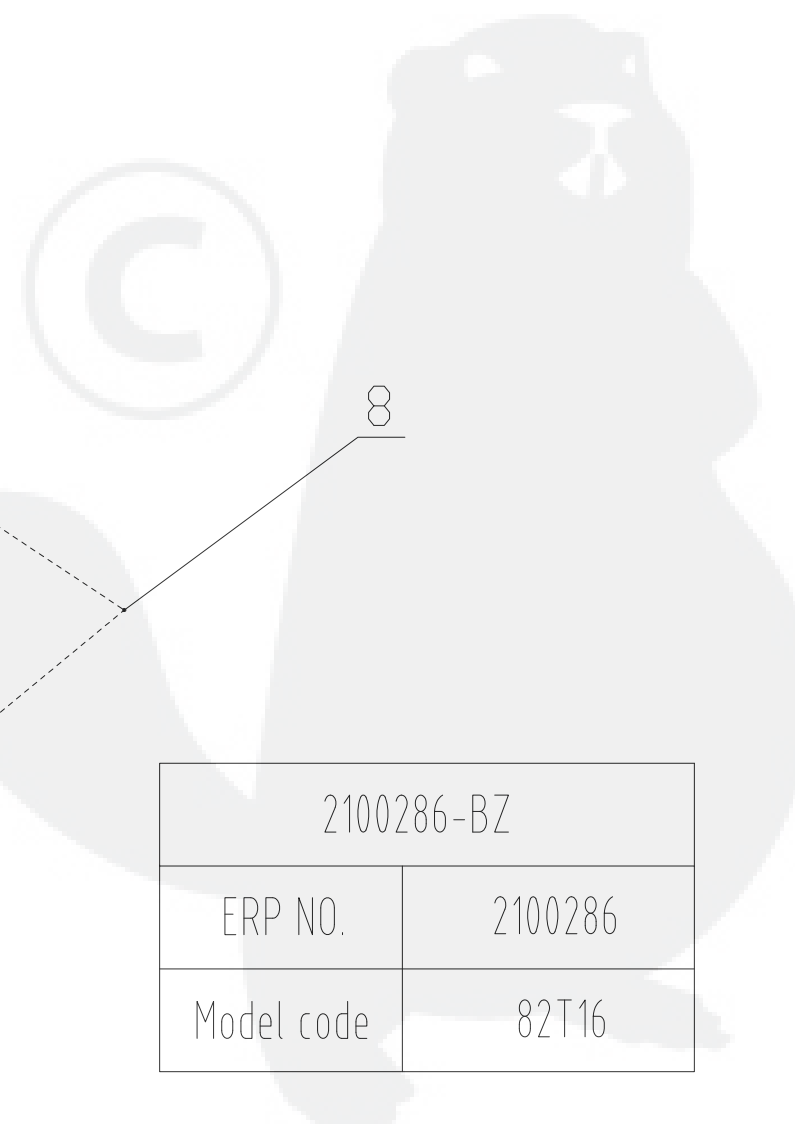
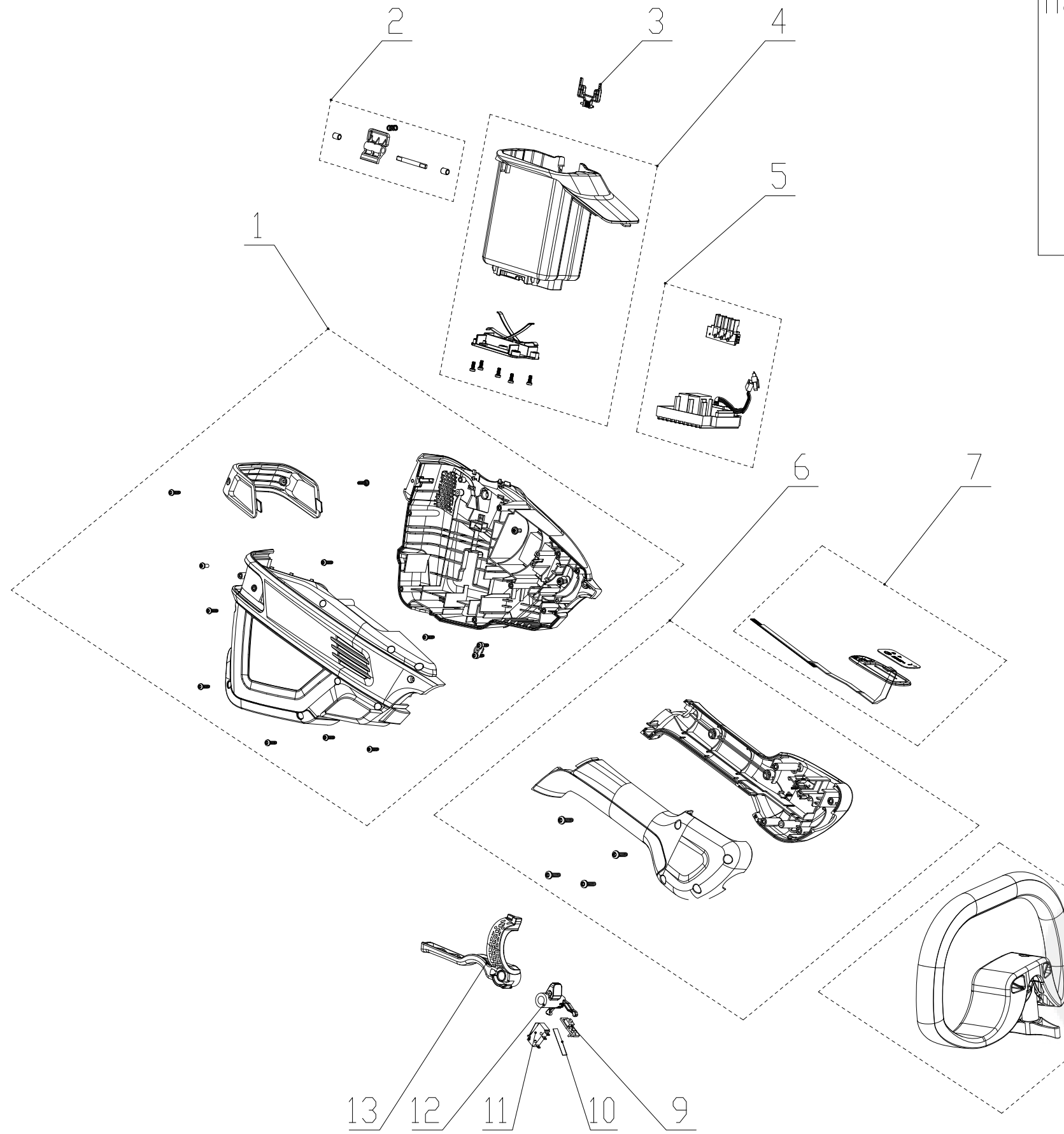
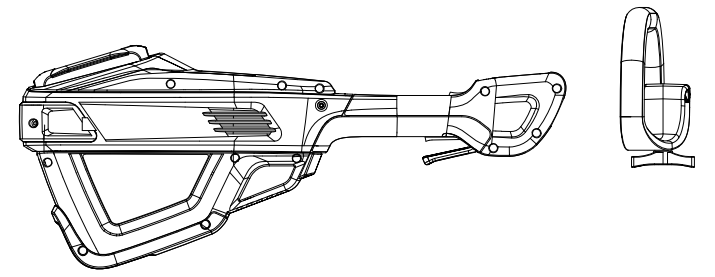


Head



2100286-BZ	
ERP NO.	2100286
Model code	82T16

Handle and housing

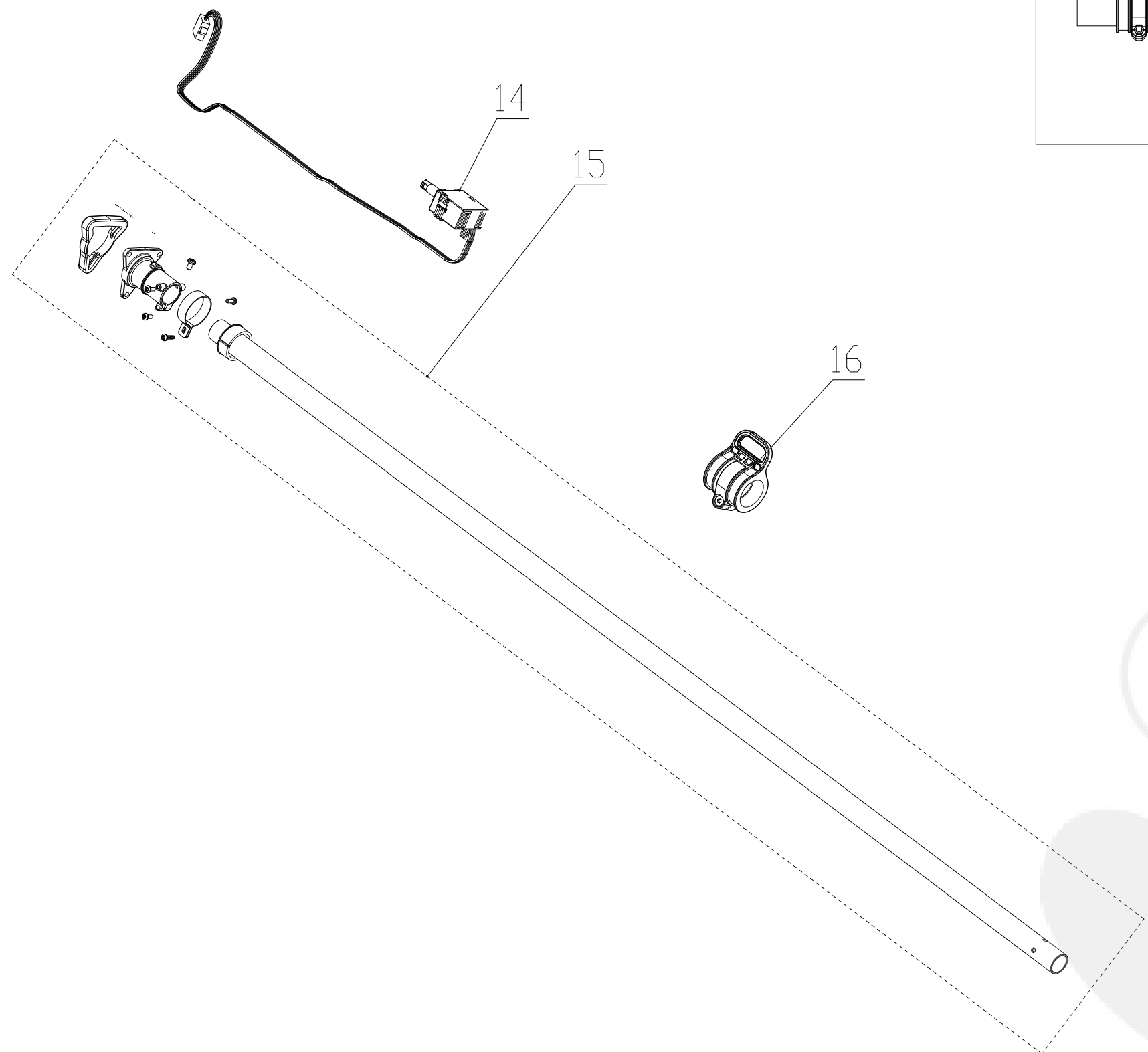


2100286-BZ	
ERP NO.	2100286
Model code	82T16

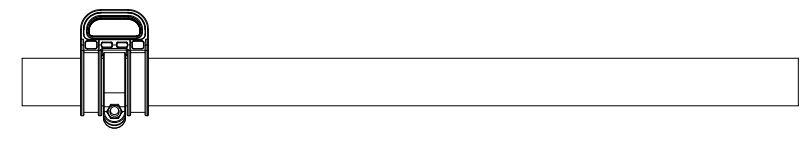
Ref #	Part #	Description	Qty	Context	Note	Cost	MSRP
1	RA341032461D	Housing assembly NEW (2018/12)	1		set		
		left housing	1				
		Right housing	1				
		Left decorative cover	1				
		Right decorative cover	1				
		Rear decorative piece	1				
		Screw	4				
		Pressing plate	1				
		Screw	12				
		Screw	1				
2	RA311112461	Release button	1		set		
		Release button	1				
		Reset spring	1				
		Lock shaft sleeve	2				
		Release button shaft	1				
3	RA341192461	Release button press plate	1		set		
4	RA311122461	Battery package barrel	1		set		
		Battery package barrel	1				
		Screw	5				
		Battery package Bouncing spring	2				
		Inserting plate fixed plate	1				
5	RA362012463A	PCB assembly NEW (2018/12)	1		set		
		PCB	1				
		Inserting seat	1				
		Heat shrinkable tube	1		15cm		
		Magnet ring	1				
6	RA341012463D	Handle assembly NEW (2018/12)	1		set		
		Left handle	1				
		Right handle	1				
		Screw ST4×16	4				
7	RA311082461	Thin film panel assembly	1		set		
8	RA311032463	Auxiliary handle assembly	1		set		
		Auxiliary handle (black)	1				
		Clamp plate	1				
		Bolt M6×60	1				
		Knob	1				
		Rubber ring	1				
9	RA363012461	Four gear switch	1		set		
10	RA333072461	Reset spring	1		set		

Ref #	Part #	Description	Qty	Context	Note	Cost	MSRP
11	RA363022461	Micro switch	1		set		
12	RA341072461	Self locking speed control button	1		set		
13	RA341062461	Switch trigger	1		set		

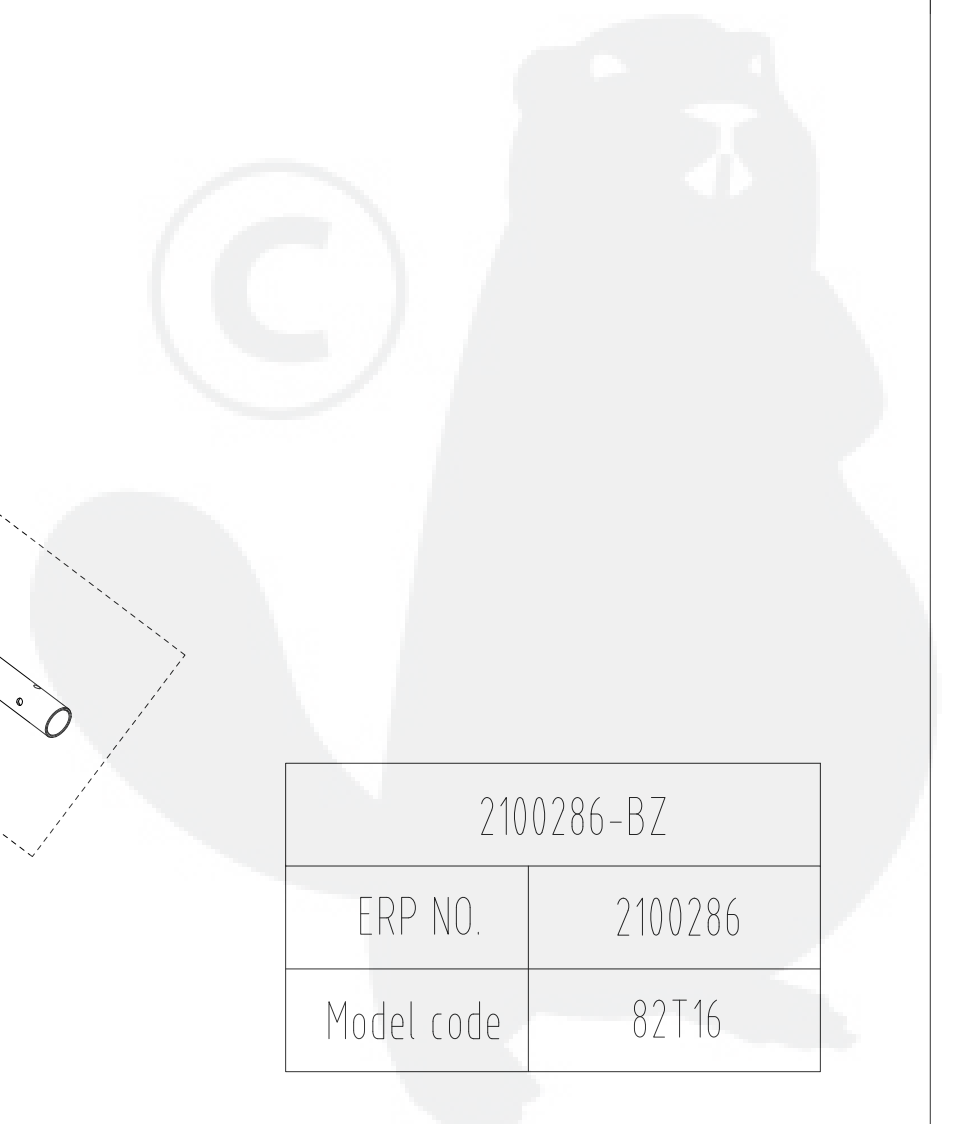




Rod



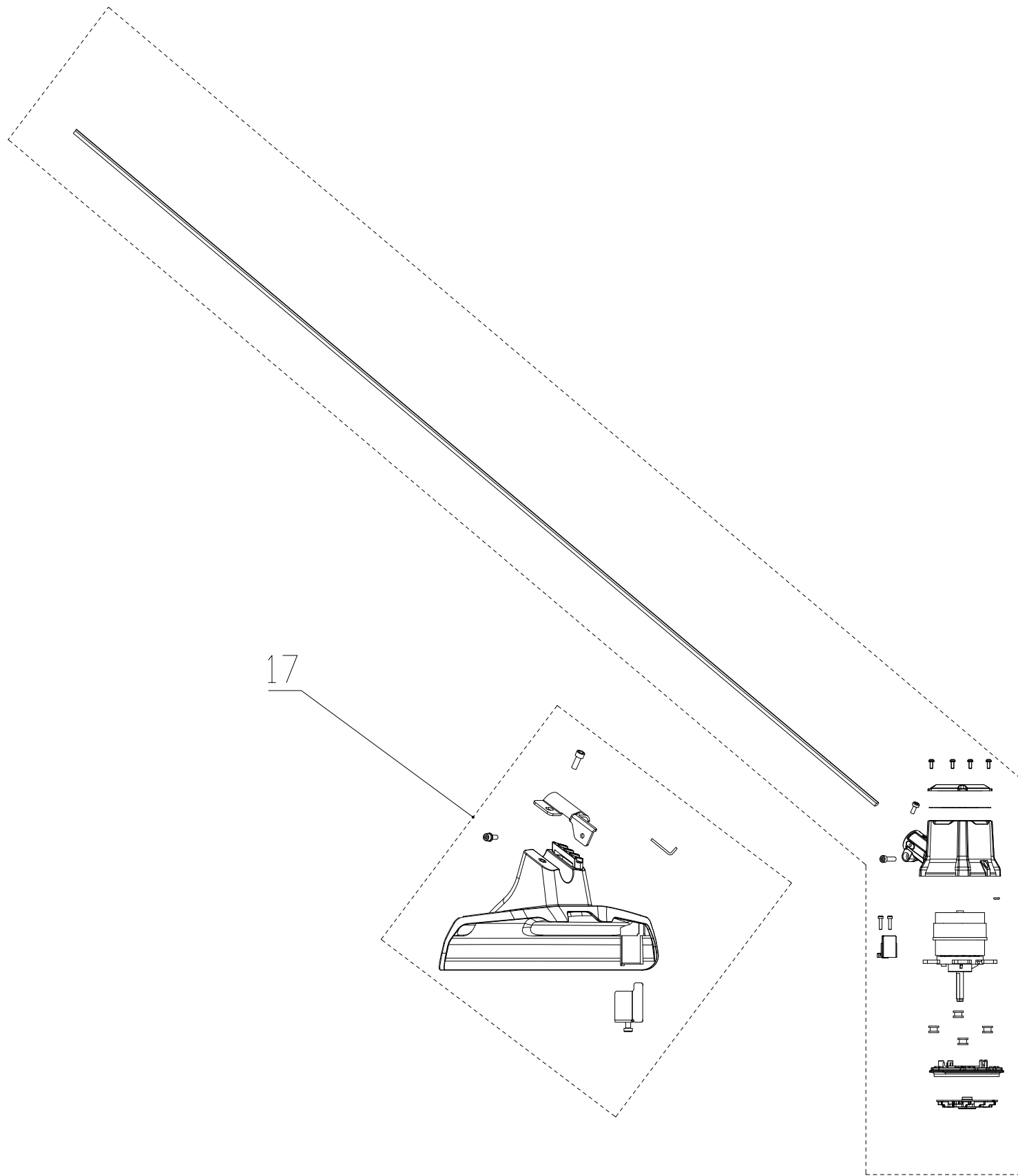
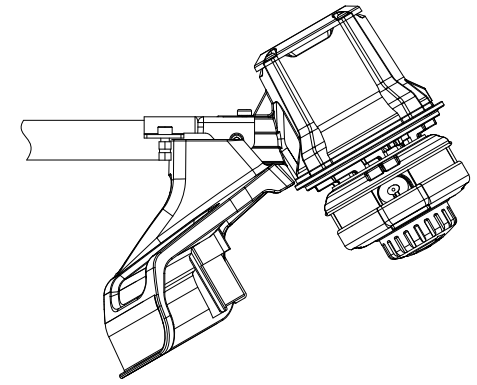
2100286-BZ	
ERP NO.	2100286
Model code	82T16



Ref #	Part #	Description	Qty	Context	Note	Cost	MSRP
14	RA363032461C	Speed regulating switch assembly	1		set		
		Speed regulating switch	1				
		Switch sleeve	1				
15	RA311142463	Rod assembly	1		set		
		Single node	1				
		Motor pipe clamp?	1				
		pipe clamp rubber pad?	1				
		pipe clamp rubber pad	1				
		Hoop	1				
		Bolt	1				
		Screw	1				
		Screw	2				
		Screw	1				
16	RA311062463	Strap Buckle assembly	1		set		
		Screw M5*12	1				
		Nut M5	1				
		Strap clamp pipe	1				
		Strap Buckle	1				



Head

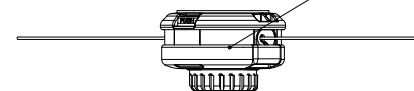


17

18

20

19



2100286-BZ	
ERP NO.	2100286
Model code	82T16

Ref #	Part #	Description	Qty	Context	Note	Cost	MSRP
17	RA311042463	Protection cover assembly	1		set		
		Bolt	1				
		Bolt	1				
		Screw	1				
		Allen key	1				
		Tool bar	1				
		Unidirectional blade	1				
		Connecting piece	1				
		Protection cover	1				
18	RA361002463A	Motor assembly NEW (2018/12)	1		set		
		Blade nut	1				
		Bolt	1				
		Screw	4				
		Screw	2				
		Bolt	1				
		Spring washer	1				
		Shaft slee	1				
		Magnesium alloy Fan	1				
		Magnesium alloy shell	1				
		Shell cover	1				
		Special-shaped pressure plate	1				
		Rubber cushion	4				
		Heat shrinkable tube			10cm		
		O type ring	1				
		Motor	1				
		Three core line (flat line)	1				
		Male Plug terminal	3				
		female Plug terminal	3				
		Heat shrinkable tube			13cm		
		Magnesium alloy upper cover	1				
		Metal inner net	1				
		Screw	4				
19	RA311121410D	Trimmer head assembly	1		set		
20	RA333022341A	Allen wrench	1		set		

