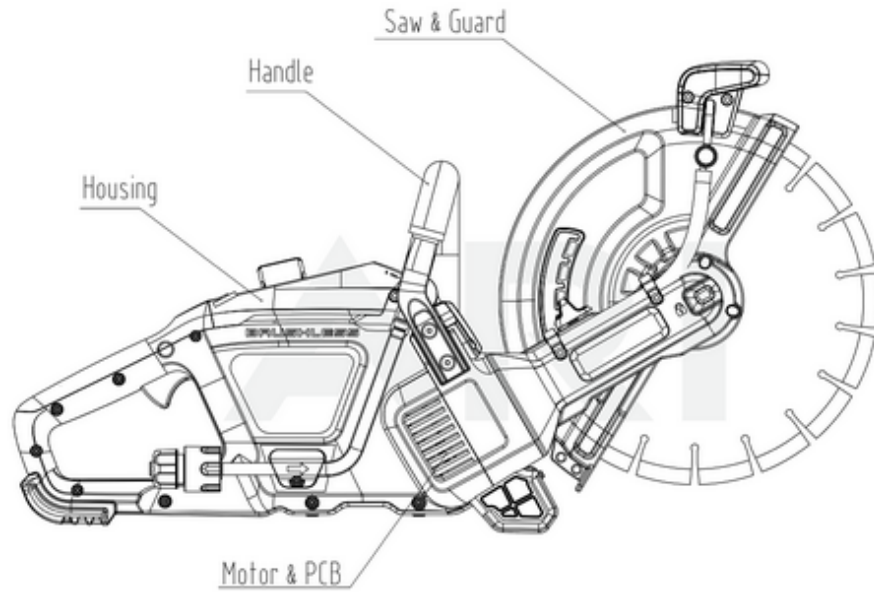


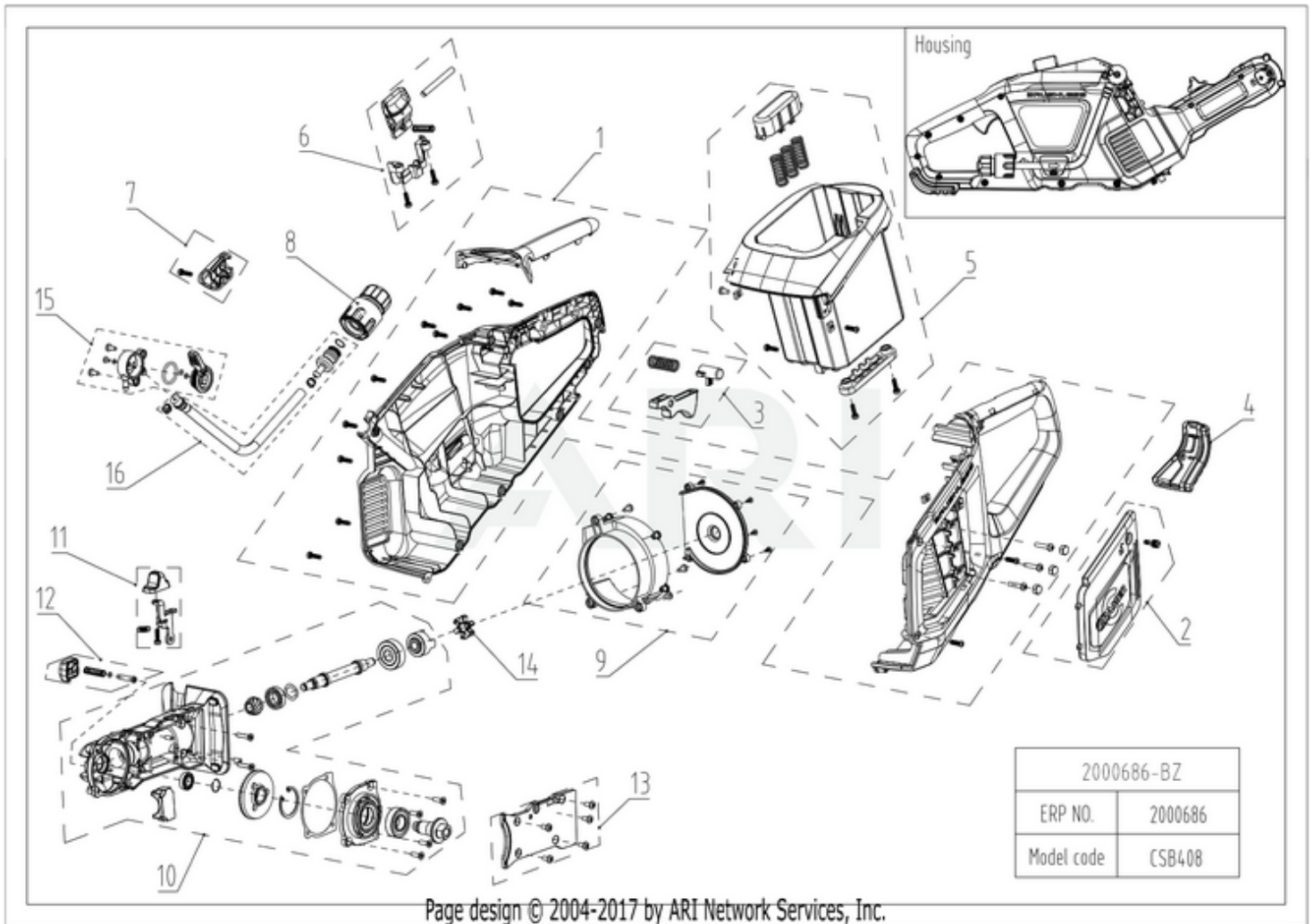
### 82V Power cutter 82PC300 2000686 - 01 Overview



2000686-BZ	
ERP NO.	2000686
Model code	CSB408

Page design © 2004-2017 by ARI Network Services, Inc.

### 82V Power cutter 82PC300 2000686 - 02 Housing

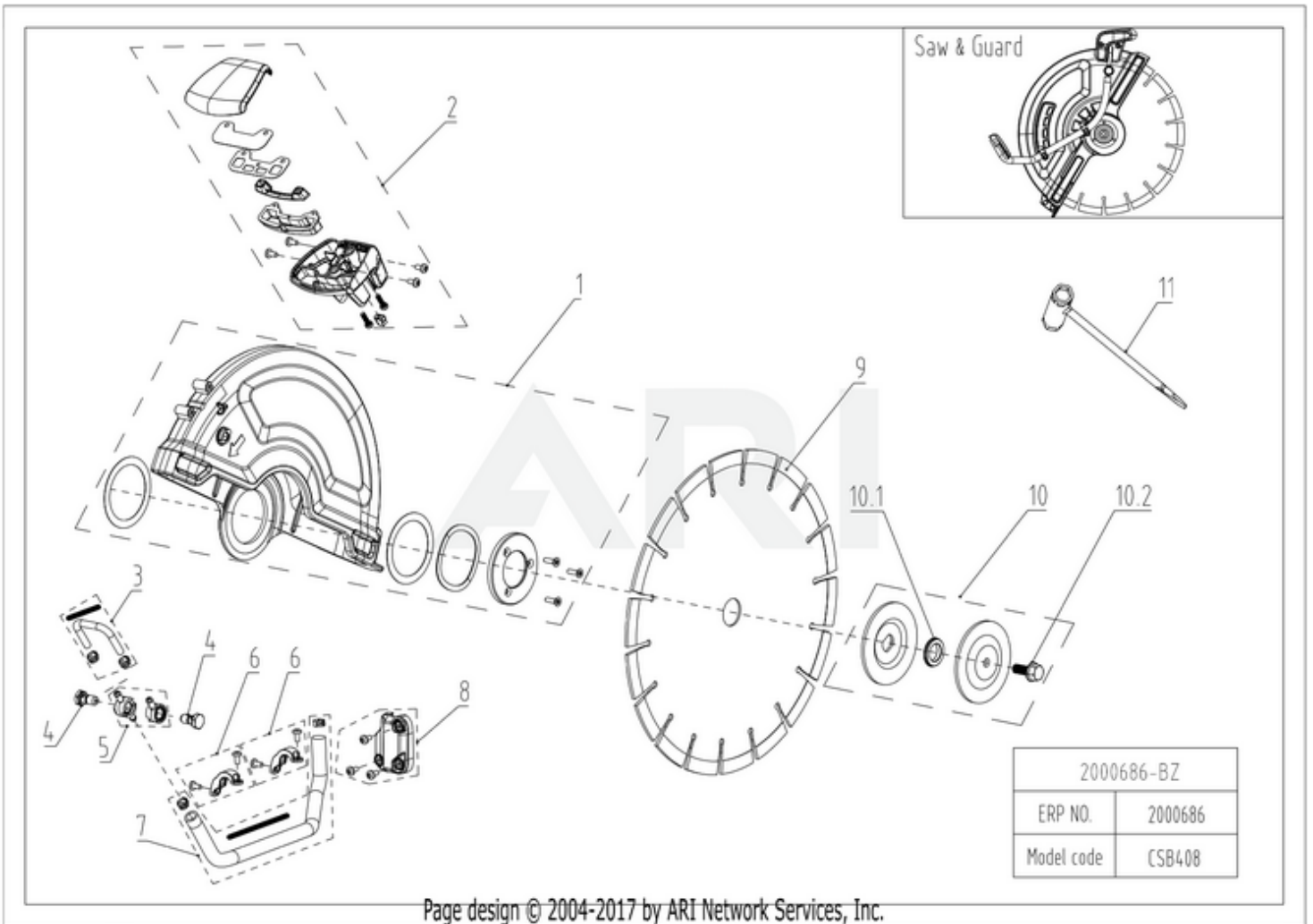


Ref #	Part #	Description	Qty	Context Note
1	R0101721-00	Housing assembly	1	SET
		Left Housing	1	PCS
		Right Housing	1	PCS
		Handle Cover	1	PCS
		Square nuts--Product grade C	1	PCS
		Hexagon lobular socket thread forming screws	10	PCS
		Magnet	3	PCS
		Cross recessed countersunk head tapping screws	3	PCS
		Hexalobular socket pan head screws	3	PCS
		Hexalobular socket pan head screws	1	PCS
2	R0101722-00	Decorative Cover	1	SET
		Decorative Cover	1	PCS
		Customized Bolt	1	PCS
3	R0101723-00	Switch trigger assembly	1	SET
		Switch Trigger	1	PCS
		Lockout Push Button	1	PCS
		Compression Spring	1	PCS
4	R0101724-00	Shock Block	1	SET
5	R0101725-00	Battery box assembly	1	SET
		Upper Cover	1	PCS
		Terminal Retaining Plate	1	PCS
		Screw	5	PCS
		Square nuts--Product grade C	2	PCS
		Spring Base	1	PCS
		Reset Spring	3	PCS
6	R0101726-00	Battery Pack Release Button Assembly	1	SET
		Battery Pack Release Button Shaft	1	PCS
		Battery Pack Release Button	1	PCS
		Compression Spring	1	PCS
		Release Button Retaining Plate	1	PCS
		Hexagon lobular socket thread forming screws	2	PCS
7	R0101727-00	Water Outlet Retaining Plate Assembly	1	SET
		Water Outlet Retaining Plate	1	PCS
		Hexagon lobular socket thread forming screws	1	PCS
8	R0101728-00	Adaptor	1	SET
9	R0101729-00	Air Concentrator Assembly	1	SET
		Rear Motor Cover	1	PCS
		Air Concentrator	1	PCS
		Screw	4	PCS
		Screw	3	PCS
10	R0101784-00	Gearbox Assembly	1	SET
		Gearbox	1	PCS
		Drive Shaft	1	PCS
		Bearings	1	PCS

Ref #	Part #	Description	Qty	Context Note
		Half Coupling	1	PCS
		Corrugated Washer	1	PCS
		Deep Groove Ball Bearings	1	PCS
		Helical Gears	1	PCS
		Screw	2	PCS
		Bearings	1	PCS
		Parallel pins, of hardened steel and martensitic stainless steel(Dowel pins)	2	PCS
		Rubber Sealing	1	PCS
		Gearbox Cover	1	PCS
		Output Shaft	1	PCS
		Helical Gears	1	PCS
		Bearings	1	PCS
		Oil	0.016	KG
		Screw	4	PCS
		Circlips for holes--Type A	1	PCS
		Roundwire snap rings for shaft	1	PCS
		Gearbox Sealing Gasket	1	PCS
11	R0101731-00	Button Assembly	1	SET
		Button	1	PCS
		Swing Arm	1	PCS
		Extension Spring	1	PCS
		Screw	1	PCS
12	R0101732-00	Locking Button Assembly	1	SET
		Limiting Displacement Bar	1	PCS
		O-Ring	1	PCS
		Locking Button	1	PCS
		Compression Spring	1	PCS
13	R0101733-00	Gearbox Dust Cover Assembly	1	SET
		Gearbox Dust Cover	1	PCS
		Screw	5	PCS
14	R0101735-00	Plum Pad	1	SET
15	R0101757-00	Pressure Regulating Valve Assembly	1	SET
		Pressure Regulating Valve Body	1	PCS
		Valve Spool	1	PCS
		O-Ring	2	PCS
		O-Ring	1	PCS
		Screw	1	PCS
		Flat Washer	1	PCS
		Hexalobular socket pan head screws	2	PCS
16	R0101758-00	Water Inlet HoseAssembly	1	SET
		Water Inlet Hose	1	PCS
		Beam Clamp	2	PCS
		Pacifier Connector	1	PCS

Ref #	Part #	Description	Qty	Context Note
		O-Ring	1	PCS

### 82V Power cutter 82PC300 2000686 - 03 Saw & Guard

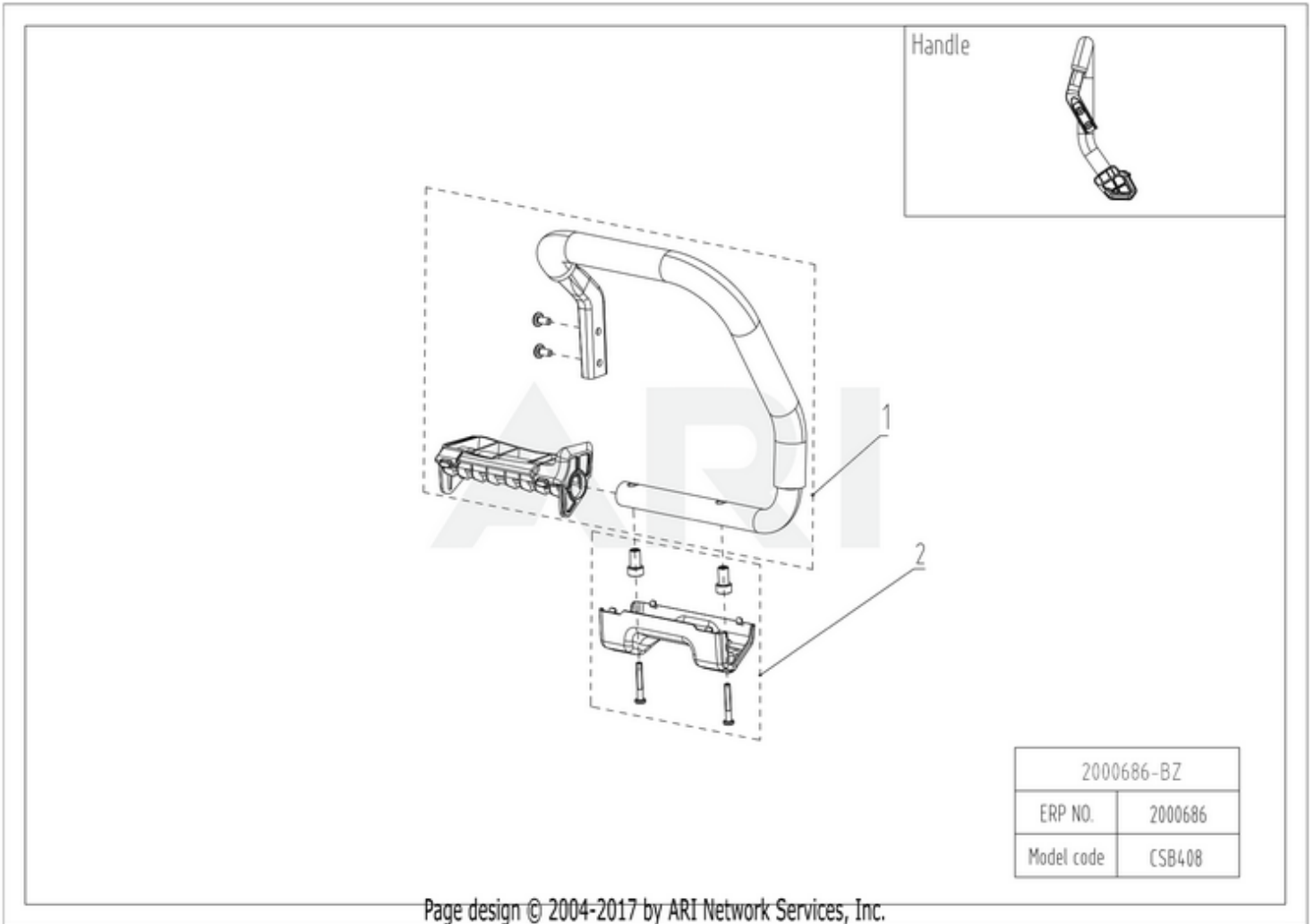


Ref #	Part #	Description	Qty	Context Note
1	R0101737-00	Guard Assembly	1	SET
		Guard	1	PCS
		Eccentric Block Washer	2	PCS
		Corrugated Washer	1	PCS
		Flat Washer	1	PCS
		Screw	3	PCS
		Retaining Plate for Locking	1	PCS
2	R0101738-00	Led Assembly	1	SET
		Auxiliary Handle Upper Cover	1	PCS
		PCBA(Power Cutter)	1	PCS
		Foam	1	PCS
		Reflective Bowl	1	PCS
		Lamp Housing	1	PCS
		Auxiliary Handle Lower Cover	1	PCS
		Power Cords	1	PCS
		Corrugated Pipe	1	PCS
		Screw	2	PCS
		Rubber Plug	1	PCS
		Hexagon lobular socket thread forming screws	2	PCS
		Screw	4	PCS
3	R0101739-00	Water Outlet Hose Assembly	1	SET
		Water Outlet Hose	1	PCS
		Water Inlet Pipe Spring	1	PCS
		Beam Clamp	2	PCS
4	R0101740-00	Connector Nut	2	SET
5	R0101741-00	Water Outlet Connector Assembly	1	SET
		Water Pipe Connector	1	PCS
		Water Pipe Connector	1	PCS
6	R0101742-00	Retaining Plate Assembly	2	SET
		Retaining Plate	1	PCS
		Screw	2	PCS
7	R0101743-00	Water Outlet Hose Assembly	1	SET
		Water Onlet Hose	1	PCS
		Water Inlet Pipe Spring	1	PCS
		Beam Clamp	2	PCS
8	R0101744-00	Dust Cover Assembly	1	SET
		Dust Cover	1	PCS
		Screw	3	PCS
9	R0101745-00	Saw Blade	1	SET
10	R0101748-00	Saw Blade Locking Assembly	1	SET
10.1	R0101746-00	Shaft Sleeve	1	SET
10.2	R0101747-00	Bolt,Saw blade	1	SET
		Hexagon flange bolts--Heavy series	1	PCS
		Inner Retaining Plate	1	PCS

<b>Ref #</b>	<b>Part #</b>	<b>Description</b>	<b>Qty</b>	<b>Context Note</b>
		Flange Plate	1	PCS
11	R0100107-00	Spanner	1	SET



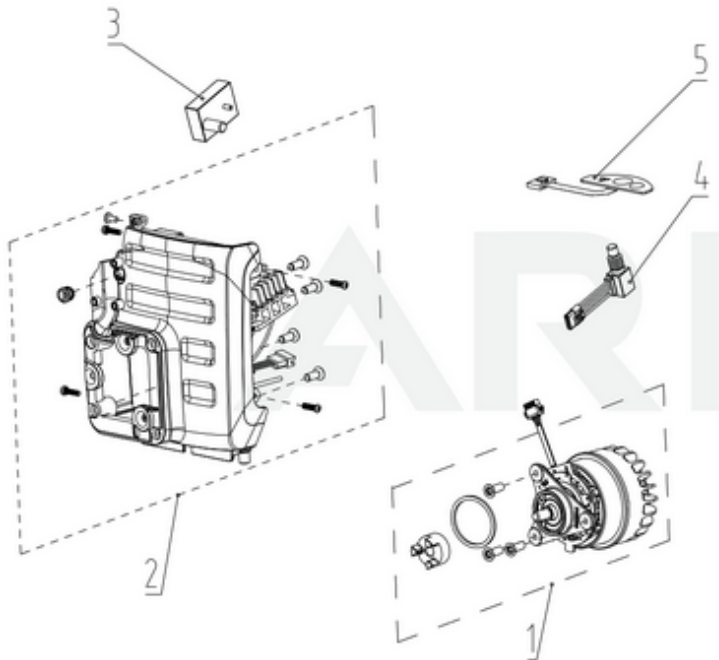
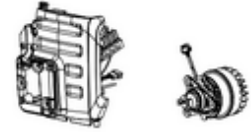
### 82V Power cutter 82PC300 2000686 - 04 Handle



<b>Ref #</b>	<b>Part #</b>	<b>Description</b>	<b>Qty</b>	<b>Context Note</b>
1	R0101749-00	Auxiliary Handle Assembly	1	SET
		Support Block	1	PCS
		Handle Sleeve	1	PCS
		Auxiliary Handle	1	PCS
		Screw	2	PCS
2	R0101750-00	Auxiliary Handle Base Assembly	1	SET
		Base	1	PCS
		Shaft Sleeve	2	PCS
		Screw	2	PCS

### 82V Power cutter 82PC300 2000686 - 05 Motor & PCB

Motor & PCB



2000686-BZ	
ERP NO.	2000686
Model code	CSB408

Page design © 2004-2017 by ARI Network Services, Inc.

<b>Ref #</b>	<b>Part #</b>	<b>Description</b>	<b>Qty</b>	<b>Context Note</b>
1	R0101751-00	Motor Assembly	1	SET
		Half Coupling	1	PCS
		Motor	1	PCS
		Screw	3	PCS
		Rubber Washer	1	PCS
2	R0101752-00	PCBA Assembly	1	SET
		PCBA ( Multifunctional Saw )	1	PCS
		Hexagon lobular socket countersunk head screws	4	PCS
		Hexagon lobular socket thread forming screws	1	PCS
		Hexalobular socket pan head screws	1	PCS
		Hexalobular socket pan head screws	3	PCS
		Wire Protective Sleeve	1	PCS
3	R0101753-00	LED Lamp Panel	1	SET
4	R0101755-00	Speed-control Switch	1	SET
5	R0101754-00	HMI Board	1	SET