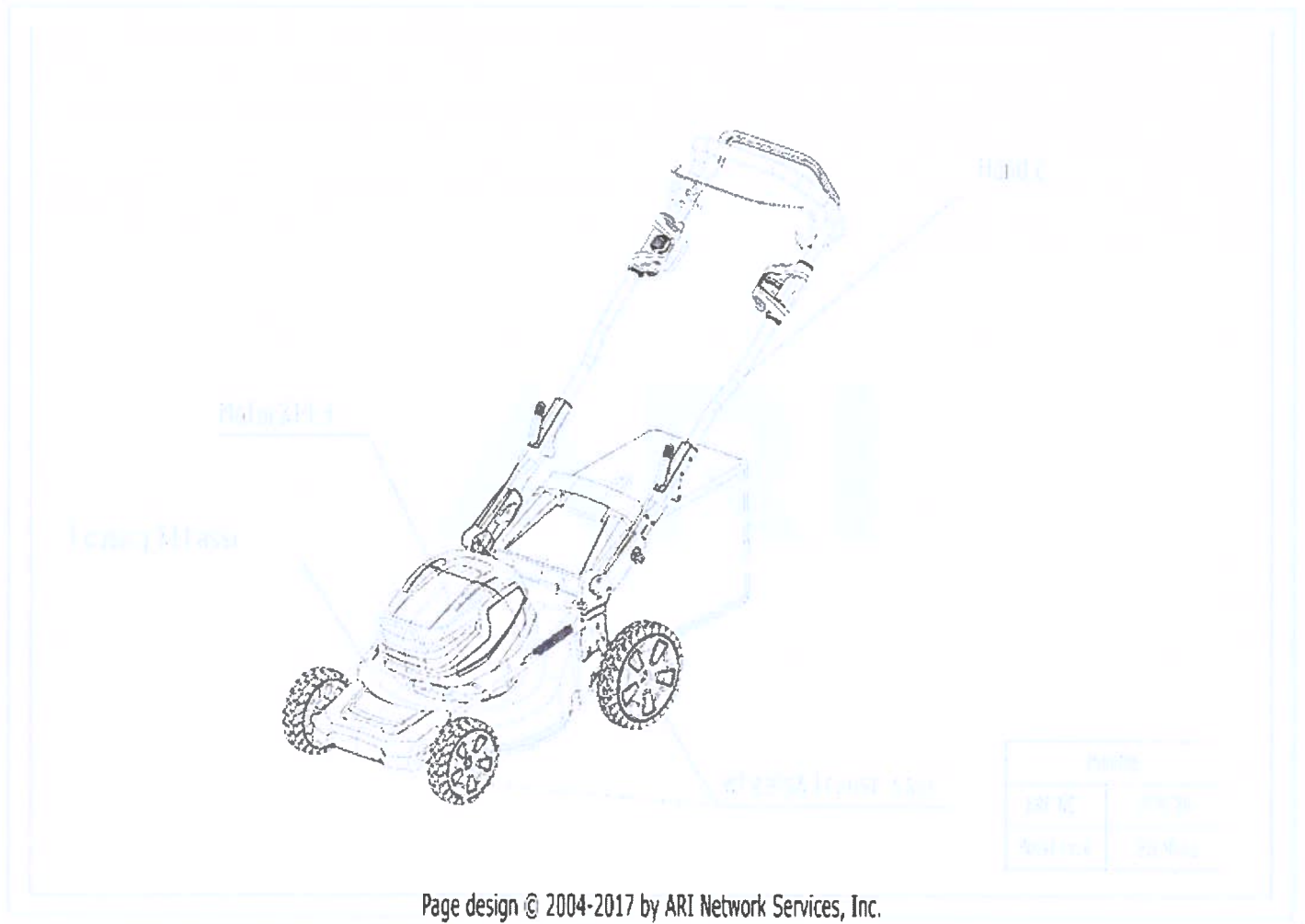


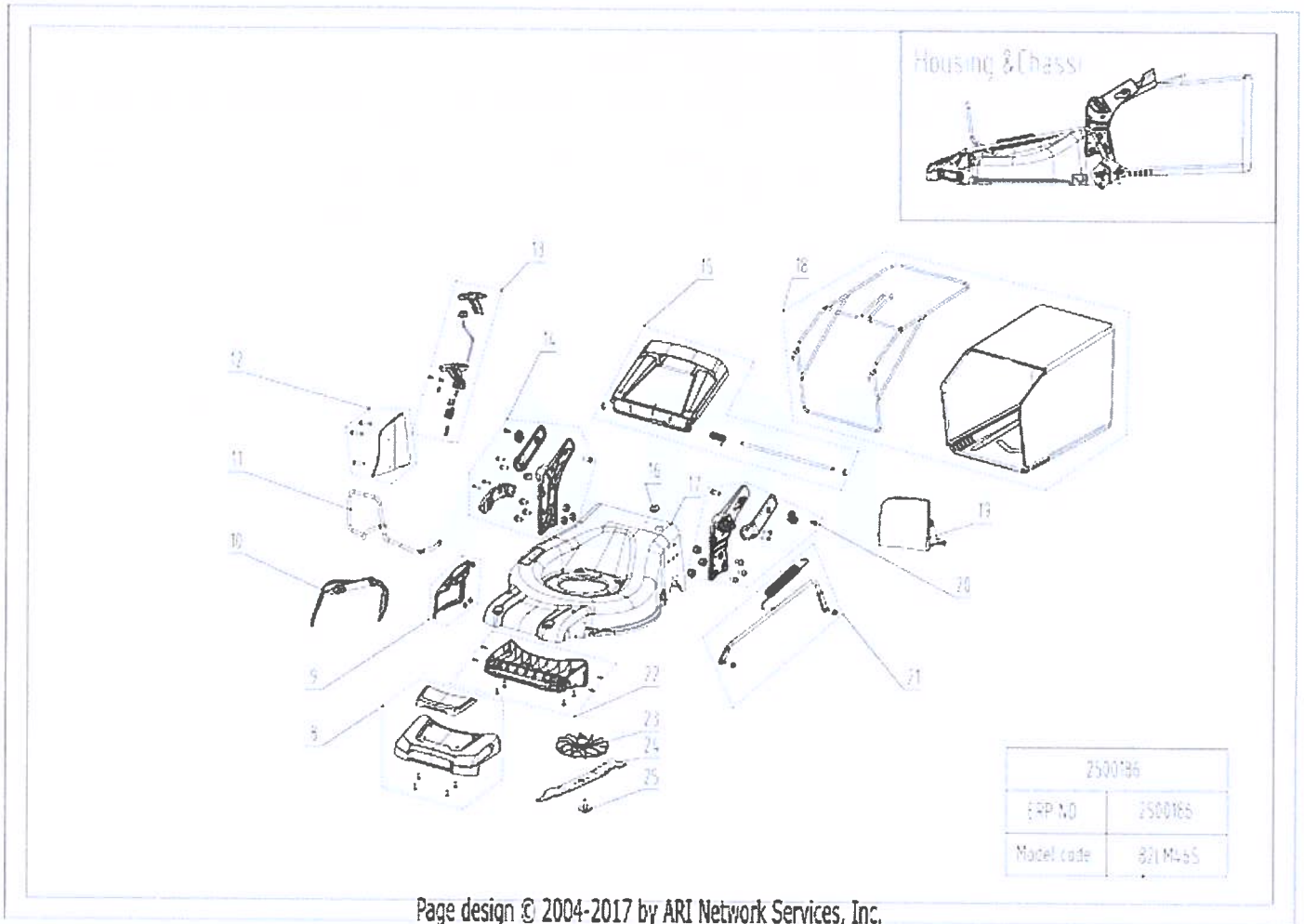
82V 46cm SP Mower 82LM46S 2500186 6952909025698 - 2500186-Exploded view



Ref #	Part #	Description	Qty	Context Note
1	RA311112375	New folding push rod fixed assembly(right)	1	SET
		Bolt M5x10	4	
		Bolt	2	
		Shaft spring ring f6	1	
		Push rod fixed support 1(right)	1	
		Push rod fixed support 2(right)	1	
		Handle	1	
		Slider connecting rod	1	
		Limited tooth slider	1	
		Spring	2	
		Slide piece	1	
		Connecting pin	1	
		Insulating sleeve left shell	1	
		Insulating sleeve right shell	1	
		Pressing handle	1	
2	RA341051530	Switch box assembly	1	SET
		Heat shrinkable tube	1	10 cm
		Wire(yellow)	1	5 cm
		Start cable	1	
		Screw	1	
		Screw ST4.2*25-F	2	
		Screw ST4.2*20-C	2	
		Screw ST4*16-F	2	
		kobalt slider	1	
		Shaft	1	
		Spring	1	
		Connect plate	1	
		Spring	1	
		Spring	1	
		Switch box Top cover	1	
		Switch box Bottom cover	1	
		Spring seat	1	
		Inner wire-pressing plate	1	
		Sliding block	1	
		Button	1	
		Switch box insert	1	
		Indenter	1	
		Switch	1	
		Wire	1	
3	RA333102378	Upper rod NEW (2018/12)	1	SET
4	RA333012378	Handle-rod assembly	1	SET
		Handle-rod	1	
		Rubber handle	1	
		Rod sleeve	4	
5	RA333112378	Lower rod NEW (2018/12)	1	SET
6	RA311172375	Speed-control switch box assembly	1	SET
		Start cable	1	
		Screw ST4.2*25-F	4	
		Screw ST4*16-F	3	
		Locating pin	2	
		Spring	1	

Ref #	Part #	Description	Qty	Context	Note
		Push button	1		
		Bottom switch box	1		
		Up switch box	1		
		Inner wire-pressing plate	1		
		Big Speed-control gear	1		
		Small Speed-control gear	1		
		Sliding block	1		
		Heat shrink tube	1	5 cm	
		Potentiometer plate	1		
		Micro switch	1		
		Wire	1		
7	RA311122375	New folding push rod fixed assembly(left)	1	SET	
		Bolt M5x10	4		
		Bolt	2		
		Axial Spring Collarf6	1		
		Push rod fixed support 1(left)	1		
		Push rod fixed support 2(left)	1		
		Handle	1		
		Slider connecting rod	1		
		Limited tooth slider	1		
		Spring	2		
		Slide piece	1		
		Connecting pin	1		
		Insulating sleeve left shell	1		
		Insulating sleeve right shell	1		
		Pressing handle	1		
33	RA341272378	Lower rod cover NEW (2018/12)	1	SET	

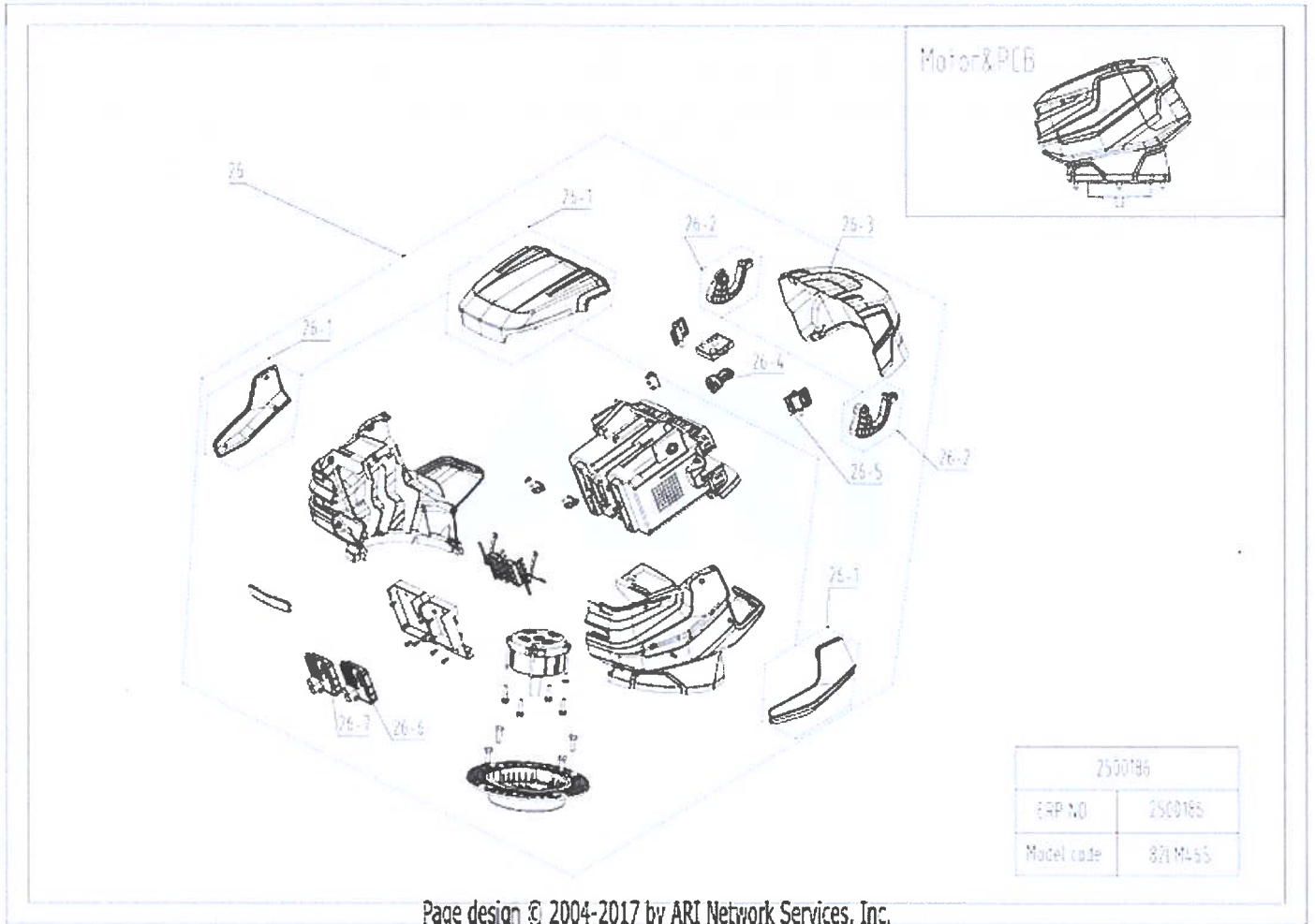
82V 46cm SP Mower 82LM46S 2500186 6952909025698 - Housing & Chassi



Ref #	Part #	Description	Qty	Context	Note
8	RA341061511D	Bumper assembly	1	SET	
		Screw ST4.2*12-F	4		
		Bumper	1		
		Bumper Decorative cover	1		
9	RA311041511	Side discharge cover assembly	1	SET	
		Bolt M6X8	2		
		Side Bracket	1		
		Side shaft	1		
		Side spring	1		
		Side cover	1		
		Rubber sleeve	2		
10	RA341031511	Side row openings	1	SET	
11	RA333072378	Power head protect bracket	1	SET	
		Power head protect bracket	1		
		Bolt M6*20	4		
		Self-locking nut	4		
12	RA341212378	19 inch Air guide plate	1	SET	
		19 inch Air guide plate	1		
		Screw	2		
		Screw ST5.5*16-F	1		
13	RA341252378	Height adjustment handle up shell	1	SET	
		Height adjustment handle up shell	1		
		Height adjustment handle bottom shell	1		
		Height adjustment button	1		
		Height adjustment grade slide block	1		
		Reset Spring	1		
		Screw ST4.2×16-F	6		
		Handle rod	1		
		Screw ST5x16	2		
14	RA331092375	Right height adjustment bracket assembly	1	SET	
		Right height adjustment bracket cover	1		
		Right height adjustment bracket	1		
		Height adjustment grade plate	1		
		Bolt M10*20	3		
		Lock nut M10	3		
		Mechanical inverted switch assembly	1		
		Screw ST5.5×25-F	2		
		Shaft bolt	1		
		Step bolt	2		
		Power line hook	1		
		Bolt M5x15	2		
15	RA341011541AC	Rear cover assembly	1	SET	
		Rear cover	1		
		Rear cover shaft	1		
		Rear cover spring	1		
		Split washer8	2		
16	RA341032322	Rubber stopper	1	SET	
17	RA333022378	19 inch iron shell	1	SET	
21	RA311252378	Height adjustment assembly	1	SET	
		Lock nut M6	2		
		Height adjustment spring	1		

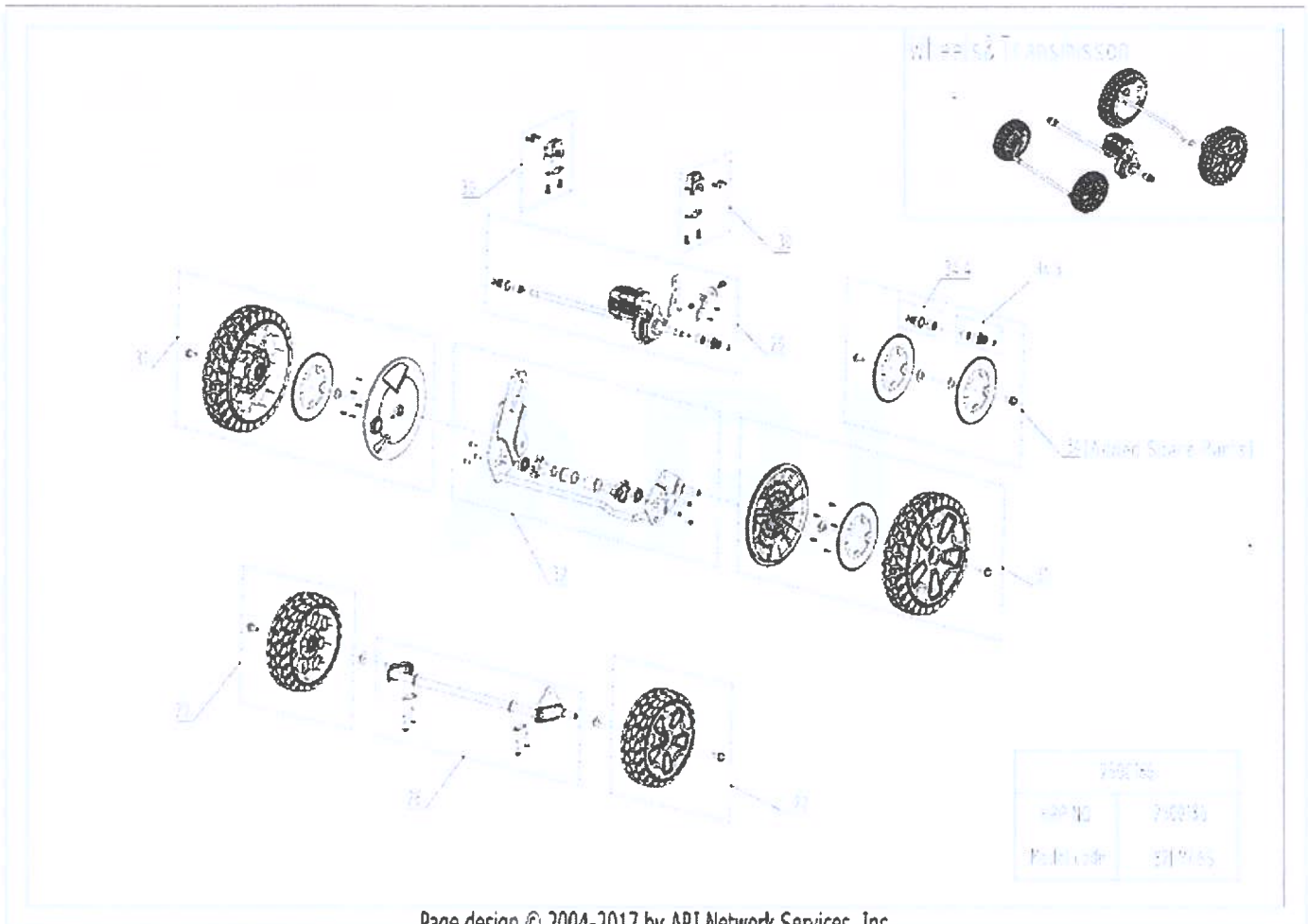
Ref #	Part #	Description	Qty	Context	Note
		Height adjustment rod	1		
18	RA349012378	Grass gathering bag assembly	1	SET	
		Grass gathering bag frame	1		
		Grass gathering bag	1		
19	RA341021541AB	Rear block	1	SET	
20	RA331102375	Left height adjustment bracket assembly	1	SET	
		Left height adjustment bracket	1		
		Left height adjustment bracket cover	1		
		Semicircle head bolt M10*20	3		
		Lock nut M10	3		
		Shaft bolt	1		
		Step bolt	2		
		Power line hook	1		
		Bolt M5x15	2		
		Pressplate	1		
		80V washer	2		
22	RA341072378	Front panel	1	SET	
		Front panel	1		
		Screw ST 5*16	4		
		Screw ST4.2*20-C	4		
23	RA341191179E	Fan assembly	1	SET	
24	RA333022330	19 inch blade	1	SET	
25	RA311222378	Hexagon headed bolt	1	SET	
		Blade blot M10*35	1		
		Plate	1		

82V 46cm SP Mower 82LM46S 2500186 6952909025698 - Motor&PCB



Ref #	Part #	Description	Qty	Context	Note
26	RA311032378	Power head assembly	1		SET
26-1	RA341202375B	Cover assembly NEW (2018/12)			
		Top cover	1		
		Left side cover	1		
		Right side cover	1		
26-2	RA341272375B	Transparent cover swing arm assembly NEW (2018/12)			
		Transparent cover left swing arm	1		
		Transparent cover right swing arm	1		
26-3	RA341212375E	Battery pack cover NEW (2018/12)			
26-4	RA311202376A	key assembly NEW (2018/12)			
26-5	RA34110811BC	Release button component part			
		Battery pack button	2		
		Battery pack button fixed axis	2		
		Battery pack button spring	2		
		Lock bushing	4		
26-6	RA362082376	Self-propelled PCB NEW (2018/12)			
26-7	RA362012378	PCB NEW (2018/12)			
		PCB	1		
		Strong magnet	2		
		Wire (14AWG black)	1		32 cm
		Wire (14AWG red)	1		112 cm
		Wire (yellow)	1		32 cm
		Screw ST4.2*20-C	8		
		Screw ST4.2*18	2		
		Self-locking nut M6	4		
		Screw	2		
		Screw ST4.2*12-F	26		
		Self-locking nut	4		
		Circular hole bandage	10		
		Motor base	1		
		Spring piece	4		
		Internal Wire-pressing plate	3		
		82V Battery chamber	1		
		Left shell	1		
		Bolt M8*25	2		
		Right shell	1		
		Bolt M8*25	2		
		PCB holder	1		
		Self-propelled PCB holder	1		
		Inserting seat	2		
		Sponge	2		
		Motor	1		
		Micro switch	1		
		1PIN junction box	1		
		2PIN junction box	1		
		2PIN junction box	1		
		Junction Female Terminal	3		
		Junction male Terminal	3		
		1PIN junction box	1		
		Wire			

82V 46cm SP Mower 82LM46S 2500186 6952909025698 - Wheel&Transmission



Ref #	Part #	Description	Qty	Context Note
27	RA341281179K	8" wheel assembly	2	SET
		8" wheel assembly	1	
		Bolt M8X16	1	
28	RA339022378	19 inch front axle	1	SET
		19 inch front axle	1	
		Wheel axle press plate	2	
		Screw ST4.2*20-C		
29	RA331862376	Self-propelled reducer assembly	1	SET Need to order #34 Rework kit
		Self-propelled reducer assembly		
		Cable Clip	2	
		Rubber plate	1	
		Step bolt	1	
		Lock nut M6	1	
30	RA339052378	Rear wheel axle permanent seat	2	SET
		Rear wheel axle permanent seat	1	
		Rear wheel axle pressplate	1	
		Bolt M6x15	4	
31	RA341602376BV	10" wheel assembly NEW (2018/12)	2	SET Need to order #34 Rework kit
		10" wheel assembly	1	
		Dust-proof cover	1	
		Big wheel gear	1	
		Washer	1	
		Screw ST4.2*20-C	5	
		Bolt M8X16	1	
32	RA339072378	Rear wheel axle assembly	1	SET
		Rear wheel axle welding assembly	1	
		Bearing base sleeve	2	
		Bearing base	2	
		Bolt M5x15	6	
		Bearing	2	
34	R0100444-00	Self Moving Gear Assembly	1	Rework kit
		Hexagon bolts with flange-Small series	2	
		WASHER/GASKET	4	
		Retainer Ring	2	
34.4	C1102864-00	Gear Assembly	1	
		Unidirectional Clutch Bearing	1	
		Spur Gears	1	
34.5	C1102865-00	Gear Assembly	1	
		Unidirectional Clutch Bearing	1	
		Spur Gears	1	
		Spur Gears	2	