

REPAIR PARTS MANUAL
MODEL NO. 254141

CRAFTSMAN®

HOW TO USE THIS MANUAL

This manual is designed to provide the customer with a means to identify the parts on his/her tractor when ordering repair parts. The illustrations may or may not represent the actual assemblies; therefore, it is not recommended to use this manual as a guide to assemble or disassemble the tractor. Some hardware and parts are drawn larger in order to more readily identify them.

Each tractor has its own model number.

The model number for your tractor can be found on the fender under the seat.

When ordering parts, always give the following information:

- Product - Lawn Tractor
- MODEL NUMBER - 254141
- Part Number
- Part Description

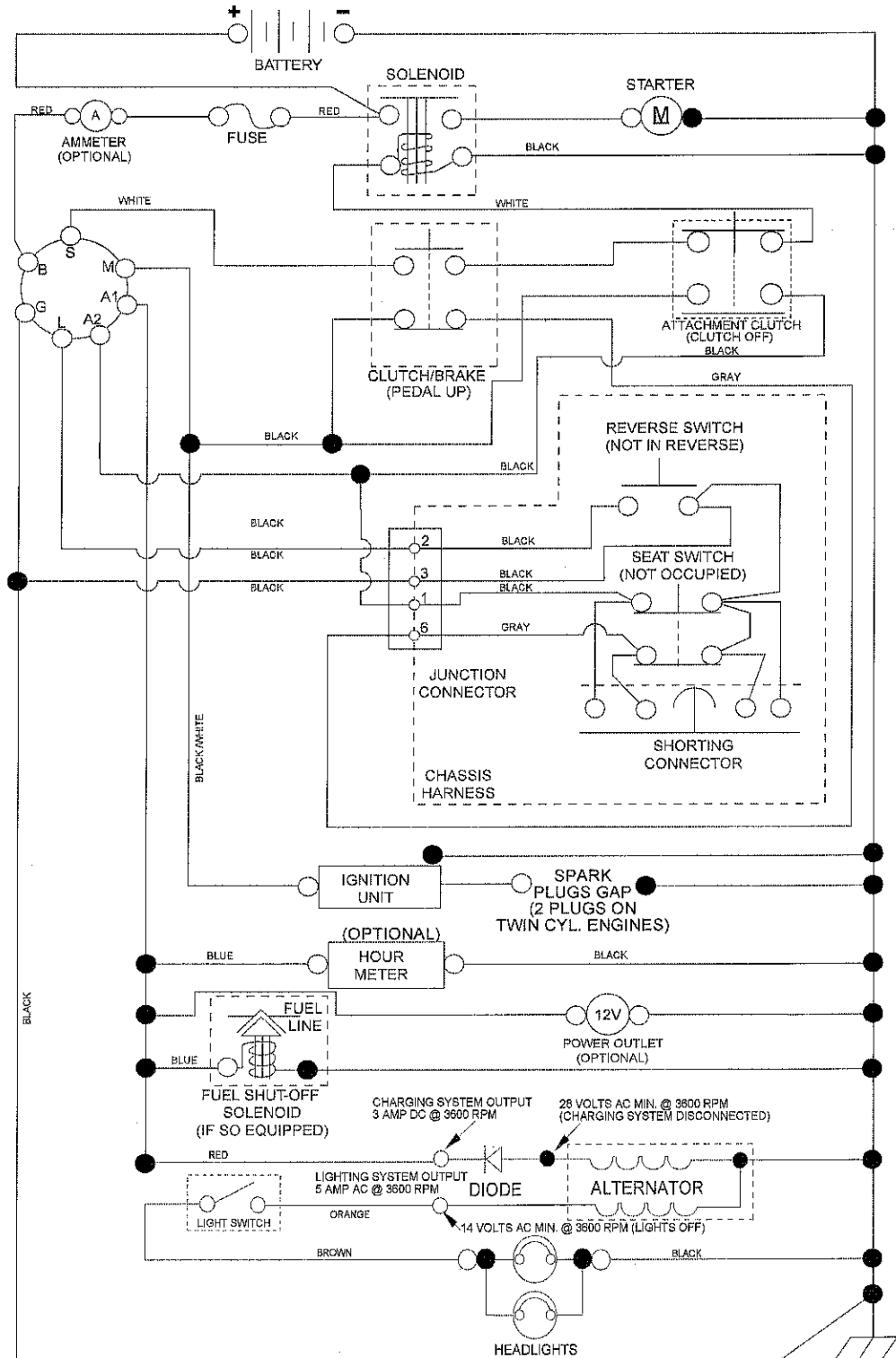
TABLE OF CONTENTS

SCHEMATIC	3
ELECTRICAL.....	4-5
CHASSIS	6-7
DRIVE.....	8-9
ENGINE.....	10-11
STEERING	12
SEAT	13
MOWER DECK	14-15
MOWER LIFT.....	16
DECALS.....	17
TRANSAXLE BREAKDOWN	18-19
ENGINE BREAKDOWN.....	20-25
WARRANTY.....	BACK COVER

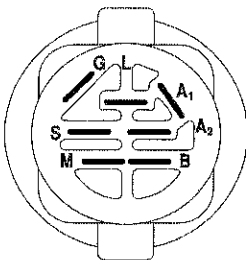
TRACTOR -- MODEL NUMBER 917.254141

SCHEMATIC

SCH11

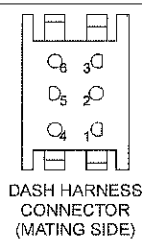
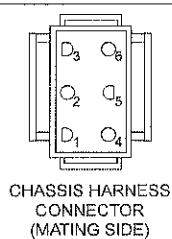


NOTE
YOUR TRACTOR IS EQUIPPED WITH A SPECIAL ALTERNATOR SYSTEM. THE LIGHTS ARE NOT CONNECTED TO THE BATTERY, BUT HAVE THEIR OWN ELECTRICAL SOURCE. BECAUSE OF THIS, THE BRIGHTNESS OF THE LIGHTS WILL CHANGE WITH ENGINE SPEED. AT IDLE THE LIGHTS WILL DIM. AS THE ENGINE IS SPEEDED UP, THE LIGHTS WILL BECOME THEIR BRIGHTEST.

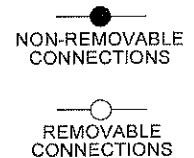


IGNITION SWITCH

POSITION	CIRCUIT	"MAKE"
OFF	M+G+A1	
RUN/OVERRIDE	B+A1	
RUN	B+A1	L+A2
START	B + S + A1	



WIRING INSULATED CLIPS
NOTE: IF WIRING INSULATED CLIPS WERE REMOVED FOR SERVICING OF UNIT, THEY SHOULD BE RE-INSTALLED TO PROPERLY SECURE YOUR WIRING.



TRACTOR - - MODEL NUMBER 917.254141

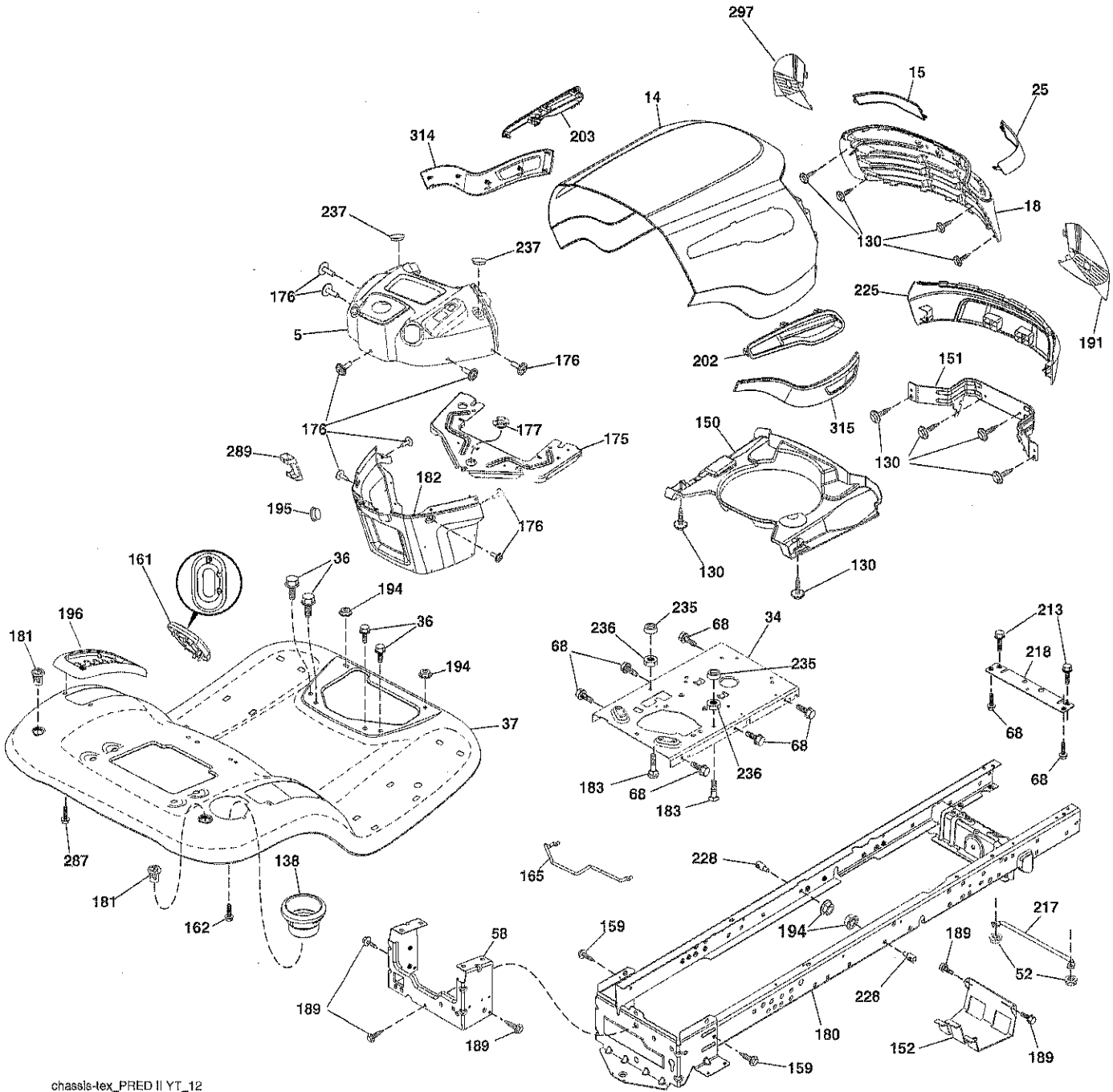
ELECTRICAL

KEY NO.	PART NO.	DESCRIPTION
1	163465	Battery
2	74760412	Bolt Hex Hd 1/4-20 unc x 3/4
8	186491	Box Battery
16	176138	Switch Interlock Push-In
21	400252	Harness Socket Light w/4152J
22	4152J	Bulb Light
24	400253	Cable Btry.
25	412895	Cable Starter
26	175158	Fuse
27	73510400	Nut Keps Hex 1/4-20 unc
28	145491	Cable, Ground
29	401545	Switch, Seat
30	193350	Switch, Ign
33	411934	Key/Chain
34	110712X	Switch Light / Reset
40	401098	Harness Ign. Dash
41	17720408	Screw Thd Cut 1/4-20 x 1/2
42	131563	Cover, Terminal
43	192507	Solenoid
46	413931	Gauge SRVCMNDR HRMTR
55	17060512	Screw Thdrol 5/16-18 x 3/4 TYTT
71	194276	Harness Ign. Chassis
79	175242	Bulbholder Asm. Incan Descent
87	197802	Switch Interlock Clutch Cable
90	400724	Cover Terminal Battery
91	190270	Strap Btry.
92	196615	Harness Pigtail Reverse Switch
93	192540	Screw Plastite 10 - 14 x 2 00
94	191834	Module Reverse Ros
99	17670412	Screw Hexwsh Thdrol 1/4-20 x 3/4
100	19091416	Washer 9/32 x 7/8 16 Ga.

NOTE: All component dimensions given in U.S. inches
1 inch = 25.4 mm

TRACTOR - - MODEL NUMBER 917.254141

CHASSIS ASSEMBLY



chassis-tex_PRED II YT_12

TRACTOR - - MODEL NUMBER 917.254141

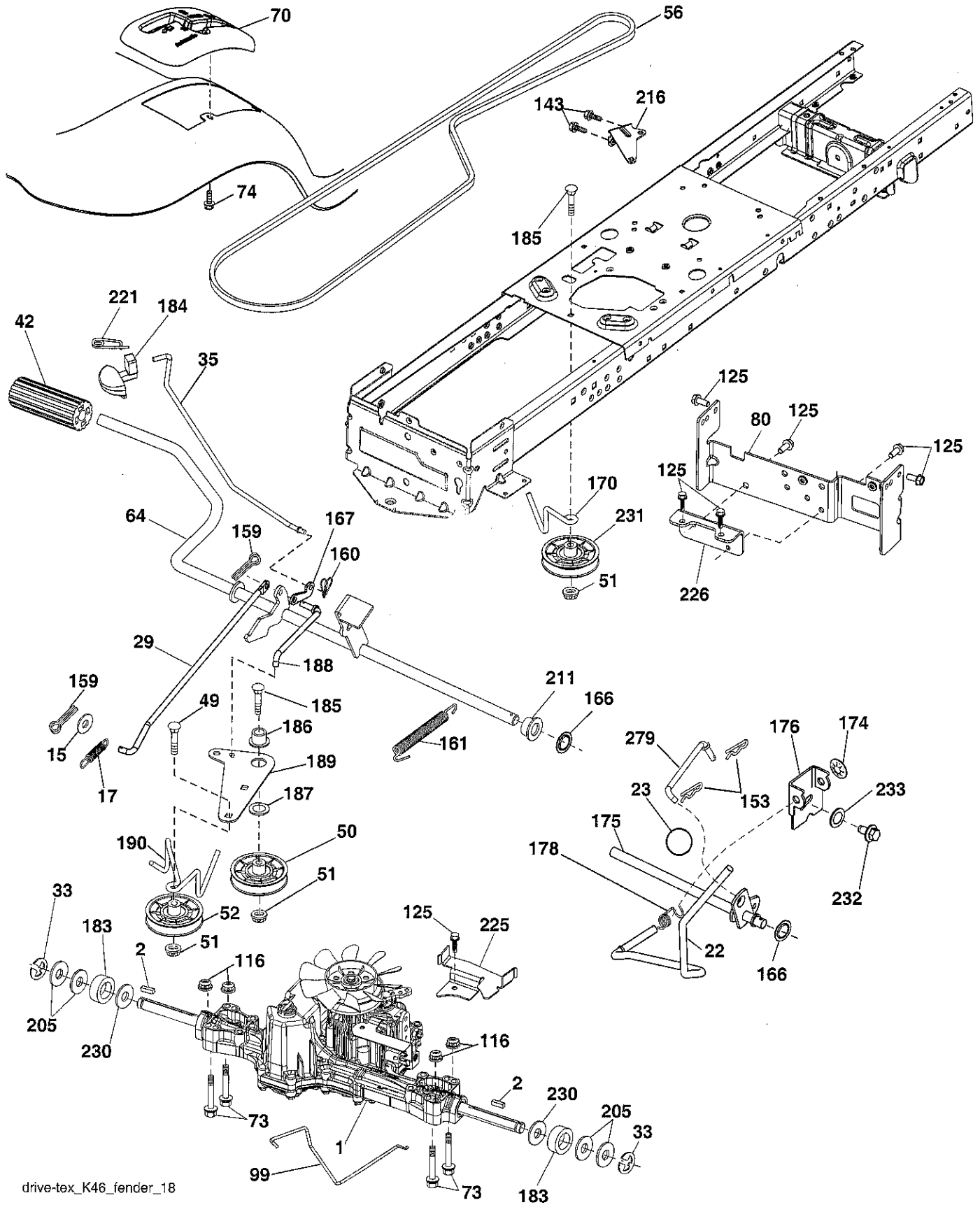
CHASSIS ASSEMBLY

KEY NO.	PART NO.	DESCRIPTION	KEY NO.	PART NO.	DESCRIPTION
5	421809X428	Dash	183	74520520	Bolt 5/16-18 x 1-1/4
14	421154X615	Hood	189	17000512	Screw 5/16 - 18 x 3/4
15	421493X599	Lens LH	191	425407	Insert Reflective RH
18	423157	Grille	194	73900500	Nut Lock Hex Flange 5/16-18
25	421494X599	Lens RH	195	401556X428	Plug Hole Dash 12V Adapter
34	196125	Plate Engine	196	414579	Console Asm. Deck Lift
36	17060512	Screw 5/16-18 x 3/4	202	423175	Vent Side Hood RH
37	414870X615	Fender	203	423174	Vent Side Hood LH
52	73680500	Nut Crown Lock 5/16-18	213	74760512	Bolt hex HD 5/16-18 unc x 3/4
58	412280	Drawbar Upper	217	409167	Rod Pivot Chassis
68	17490508	Screw Thdrol 5/16-18 x 1/2	218	196395	X piece hood stop
130	416358	Screw # 10 x .750 BOS Thread	225	421255X615	Bumper
138	193224X428	Cupholder	228	195161	Stud Fastener
150	199411	Duct Heat Hood	235	406129	Spacer Fender
151	196332	Bracket Pivot	236	73930500	Nut Center Lock 5/16-18
152	199535	Shield Browning/Debris	237	403704	Plug Mount Cargo
159	17000612	Screw Hexwsh Thdrol 3/8-16 x 3/4	287	17600406	Screw Hex Washhead 1/4-20 x 3/8
161	193229X428	Window Fuel	289	199783X428	Plug Cruise/Phone Common YTGT
162	142432	Screw Hex Wsh Hi-Lo 1/4 x 1/2	297	425406	Insert Reflective LH
165	196826	Support Tank Rear	314	423145	Trim SD LH
175	196304	Crossmember	315	423146	Trim SD RH
176	400776	Screw 10-24 x 5/8 Wshd Qdrx			
177	195227	Bushing Steering			
180	415063	Chassis			
181	193102X428	Bushing Mtg. Fender Crgo.			
182	406859	Dash Lower			

NOTE: All component dimensions given in U.S. inches
1 inch = 25.4 mm

TRACTOR - - MODEL NUMBER 917.254141

GROUND DRIVE



drive-tox_K46_fender_18

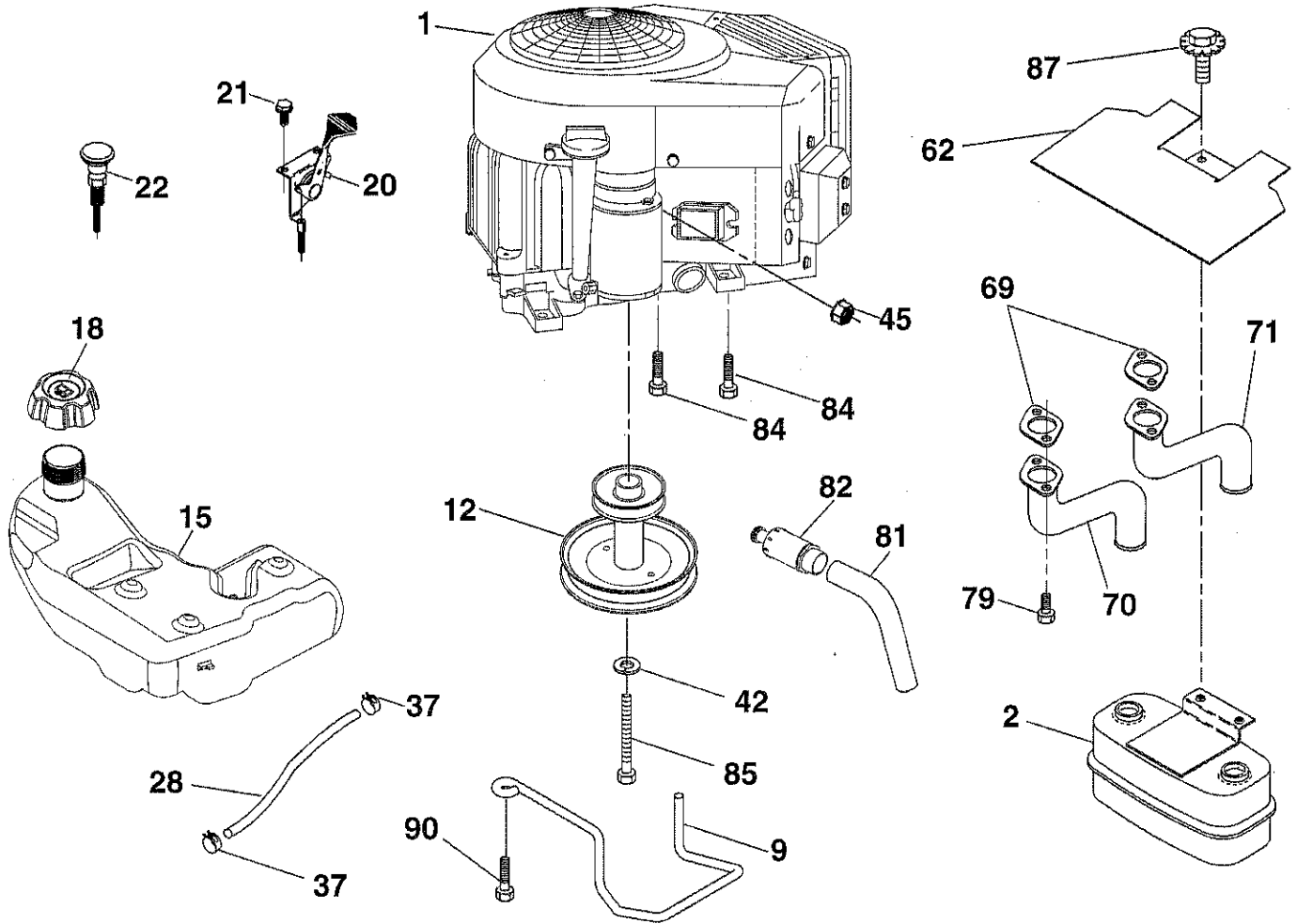
TRACTOR - - MODEL NUMBER 917.254141

GROUND DRIVE

KEY NO.	PART NO.	DESCRIPTION	KEY NO.	PART NO.	DESCRIPTION
1	-----	Transaxle, Tufftorq K46BA (See Transaxle Breakdown)	167	405257	Latch Brake Parking
2	123583X	Key Square	170	413430	Keeper Belt Centerspan
15	19131316	Washer 13/32 x 13/16 x 16 Ga.	174	197289	Nut Push
17	413678	Spring, Brake	175	408539	Shaft Asm Shift
22	197660	Rod Shift	176	196214	Arm Clevis Rod Shift
23	140845	Knob	178	197456	Spring Shift
29	403806	Rod, Brake	183	137057	Spacer Axle
33	12000001	Ring E	184	196439X505	Handle Parking Brake
35	199591	Rod, Brake, Park	185	72110622	Bolt
42	8883R	Cover, Foot Pedal	186	194321	Spacer Retainer
49	72110614	Bolt	187	19133210	Washer
50	194327	Pulley Idler Flat	188	194323	Link Clutch Ground Drive
51	73900600	Lock Nut 3/8-16	189	194317	Bellcrank Ground Drive
52	194326	Idler V-Groove 910" Offset	190	194318	Keeper Bellcrank Ground Drive
56	130969	V-Belt, Drive	205	121748X	Washer 25/32 x 1-5/8 x 16 Ga.
64	196200	Shaft Asm. Pedal Brake Control	211	196212	Bushing Shaft
70	193220X428	Console	216	196131	Bracket Pulley Idler
73	74490544	Bolt Hex 5/16-18 Gr. 5	221	403187	Retainer Spring Clip Handle
74	142432	Screw 1/4 x 1/2	225	403319	Keeper Belt Transaxle
80	410024	Strap Torque	226	401564	Bracket Mount Torque
99	415742	Rod Spring Bypass	230	188967	Washer Harden .793 x 1.637 x 060
116	73900500	Nut Lock Hex Flange 5/16-18	231	407287	Idler V-Groove 1.688" Offset
125	17000512	Screw 5/16-18 x 3/4	232	74780716	Bolt 7/16-14 x 1 Gr 5
143	17490508	Screw THDROL 5/16-18	233	405296	Washer Serrated
153	STD624003	Retainer Spring 1"	279	413150	Link Shift
159	76020412	Pin Cotter 1/8 x 3/4			
160	169484	Retainer Clip			
161	105709X	Spring, Return, Clutch			
166	429164	Nut Push .625			

NOTE: All component dimensions given in U.S. inches
1 inch = 25.4 mm

ENGINE



SPARK ARRESTER KIT

engine-tex_bs-2cyl_13

TRACTOR - - MODEL NUMBER 917.254141

ENGINE

KEY NO.	PART NO.	DESCRIPTION
1	-----	Engine B&S Model No. 445677-1344-B1 (See Engine Breakdown)
2	149723	Muffler
9	194320	Keeper Belt Engine
12	405471	Pulley Engine
15	400021	Tank Fuel
18	430218	Cap Asm
20	175437X428	Control Throttle
21	416358	Screw 10 x .750 BOS Thread
22	187767X428	Control Choke
28	8543R	Fuel Line
29	137180	Spark Arrester Kit
37	123487X	Clamp Hose
42	10040700	Washer Lock 7/16
45	73510400	Nut Keps Hex 1/4-20 unc
62	434017	Shield Heat Muffler
69	165291	Gasket
70	159955	Exhaust Tube LH
71	160589	Exhaust Tube RH
79	183906	Screw 5/16-18 x .75
81	148456	Tube Drain Oil Easy
82	428287	Drain Oil Valve
84	17060620	Screw 3/8-16 x 1-1/4
85	173937	Bolt Hex 7/16-20 x 4 x Gr. 5-1.5
87	171877	Bolt 5/16-18 unc x 3/4 w/Sems
90	17000616	Screw 3/8-16 x 1.0

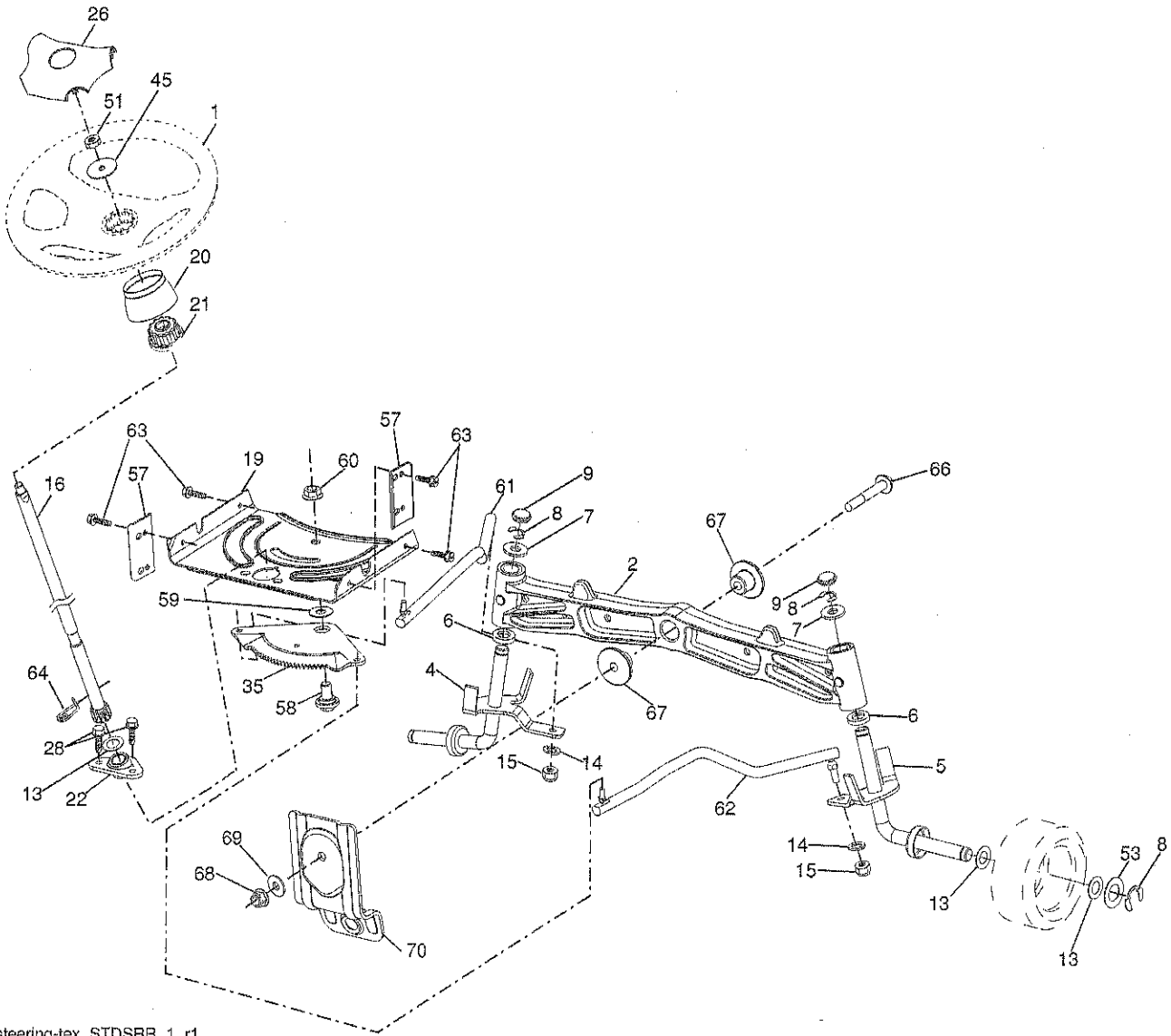
NOTE: All component dimensions given in U.S. inches
1 inch = 25.4 mm

Engine Power Rating Information

The gross power rating for individual gas engine models is labeled in accordance with SAE (Society of Automotive Engineers) code J1940 (Small Engine Power & Torque Rating Procedure), and rating performance has been obtained and corrected in accordance with SAE J1995 (Revision 2002-05). Torque values are derived at 3060 RPM; horsepower values are derived at 3600 RPM. Actual gross engine power will be lower and is affected by, among other things, ambient operating conditions and engine-to-engine variability. Given both the wide array of products on which engines are placed and the variety of environmental issues applicable to operating the equipment, the gas engine will not develop the rated gross power when used in a given piece of power equipment (actual "on-site" or net power). This difference is due to a variety of factors including, but not limited to, accessories (air cleaner, exhaust, charging, cooling, carburetor, fuel pump, etc.), application limitations, ambient operating conditions (temperature, humidity, altitude), and engine-to-engine variability. Due to manufacturing and capacity limitations, Briggs & Stratton may substitute an engine of higher rated power for this Series engine.

TRACTOR - - MODEL NUMBER 917.254141

STEERING ASSEMBLY



steering-tex_STDSRR_1_r1

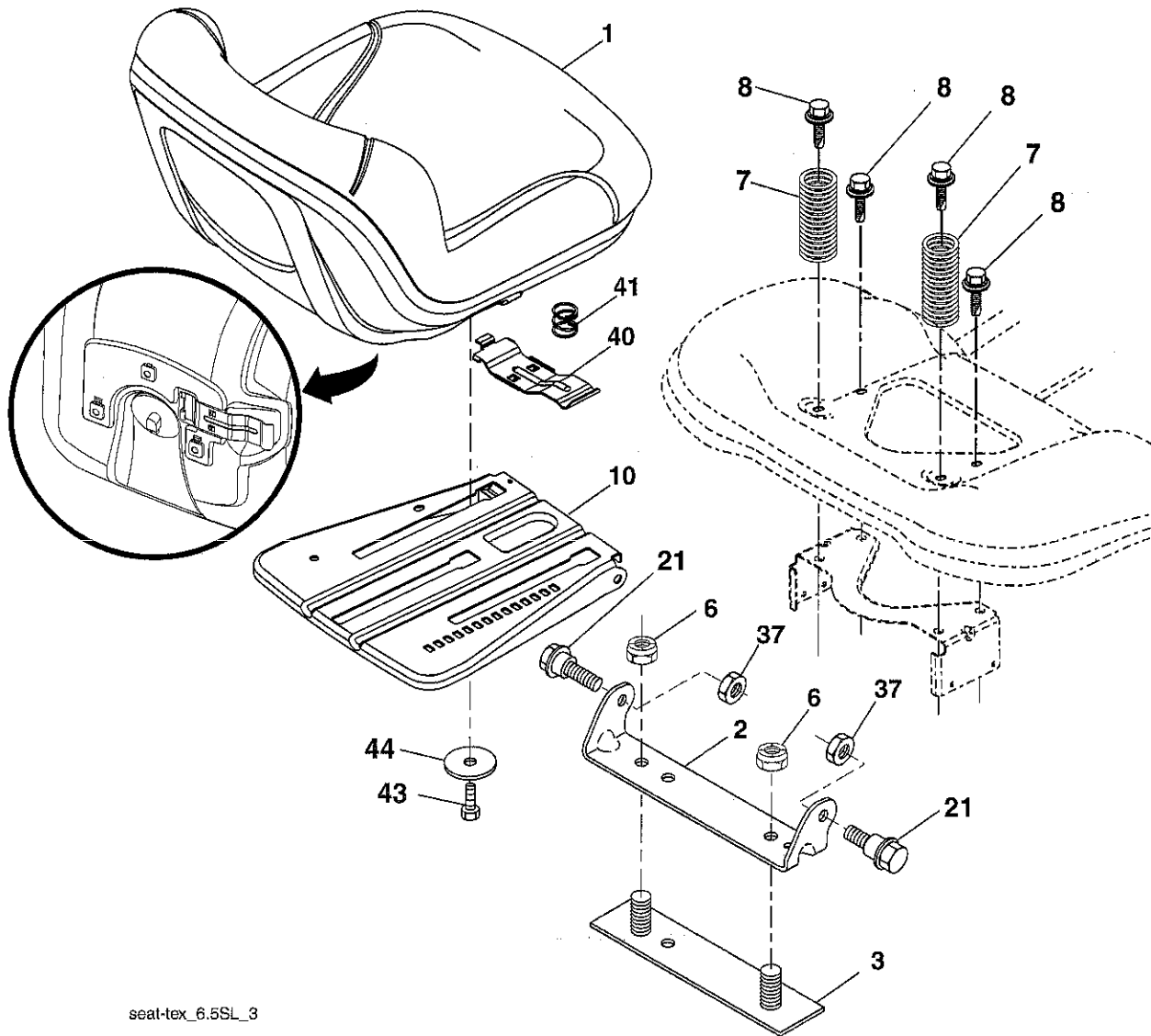
KEY NO.	PART NO.	DESCRIPTION
1	414803X428	Wheel, Steering
2	195968	Axle Asm., Front
4	403087	Spindle Asm., LH
5	403088	Spindle Asm., RH
6	6266H	Bearing, Race Thrust Harden
7	121748X	Washer 25/32 x 1-5/8 x 16 Ga.
8	12000029	Ring, Klip #T5304-75
9	184946X505	Cap, Spindle
13	121749X	Washer 25/32 x 1-1/4 x 16 Ga.
14	STD551137	Washer, Lock Hvy Hlcl Spr 3/8
15	73540600	Nut, Crown Lock 3/8-24 unf
16	194746	Shaft Steering
19	194729	Plate Steering
20	199676X428	Boot, Steering
21	186737	Adapter, Wheel Steering
22	420537	Strg Supt. Lower
26	414852X428	Insert, Wheel Steering
28	17000612	Screw 3/8-16 x 3/4
35	194732	Gear, Sector Plate
45	19183812	Washer 9/16 x 2-3/8 x 12 Ga.

KEY NO.	PART NO.	DESCRIPTION
51	73940800	Nut Hex 1/2-20 unf
53	188967	Washer Hardened .793 x 1.637 x .060
57	407465	Bracket Upstop
58	194747	Bolt Shoulder Sector Pivot CFM
59	194748	Washer Thrust Sector Steering
60	73971000	Nut Flange Lock 5/8-11
61	194740	Draglink LH
62	194741	Draglink, RH
63	17000512	Screw 5/16-18 x 3/4
64	199849	Retainer Clip Spring Steering
66	71020748	Bolt Hex Fghd 7/16-14 x 3 Serr
67	194737	Bushing PM Front Axle
68	73900700	Nut Lock Flange 7/16-14 Gr. 5
69	199162	Washer 1.5 x .505 x .118
70	196197	Bracket Deck Susp. Front

NOTE: All component dimensions give in U.S. inches
1 inch = 25.4 mm

TRACTOR - - MODEL NUMBER 917.254141

SEAT ASSEMBLY



seat-tex_6.5SL_3

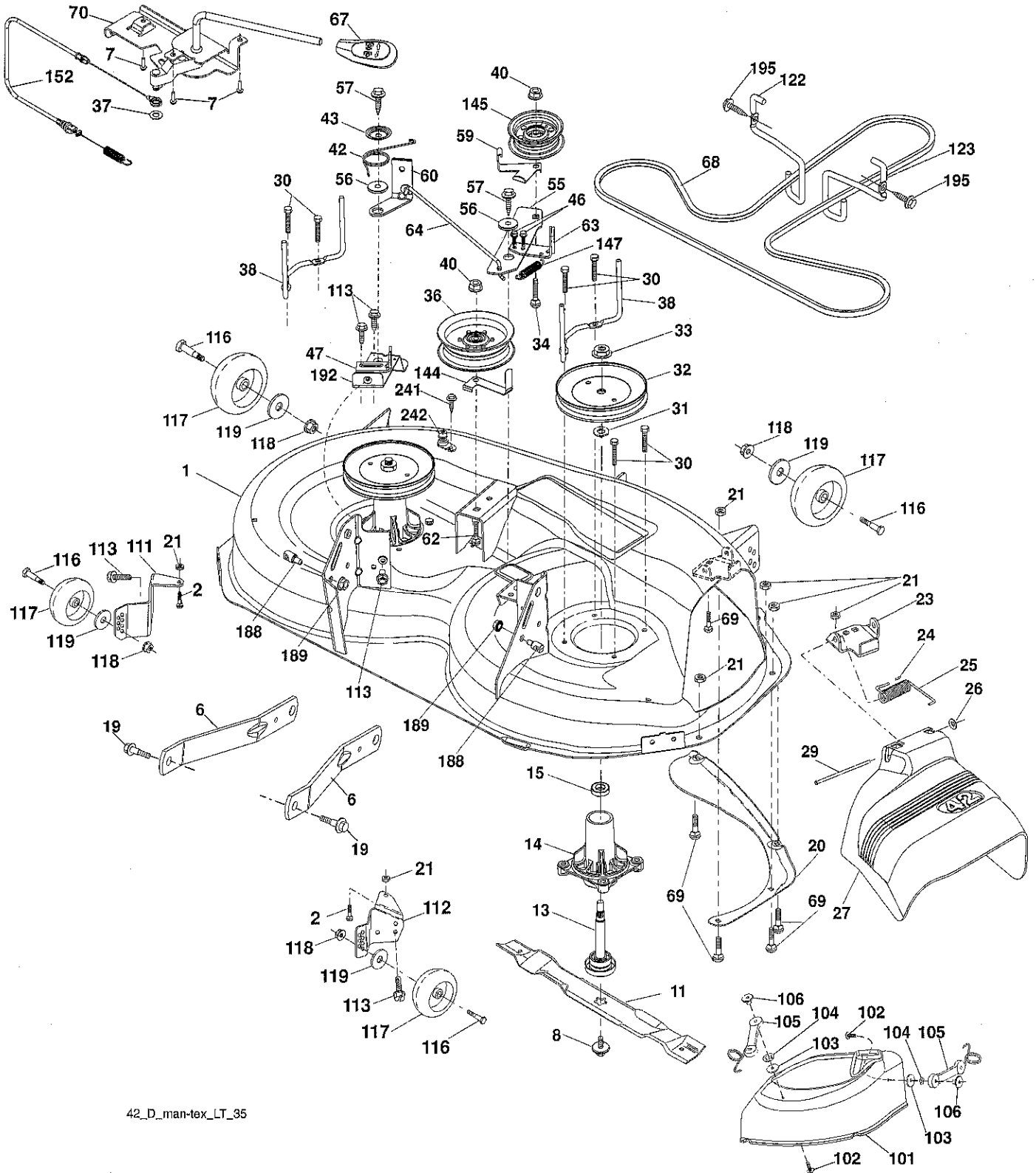
KEY NO.	PART NO.	DESCRIPTION
1	423645	Seat
2	180166	Bracket Pivot Fender
3	140675	Strap, Asm Fender
6	STD541437	Nut, Lock w/Ins. 3/8-16 unc
7	124181X	Spring, Seat Cprsn
8	171877	Bolt 5/16-18 unc x 3/4 w/Sems
10	196977	Pan, Seat
21	171852	Bolt, Shoulder 5/16-18

KEY NO.	PART NO.	DESCRIPTION
37	STD541431	Nut, Lock 5/16-18 unc
40	197661	Handle Slide Seat
41	198200	Spring Latch Seat
43	74760612	Bolt 3/8-16 x 3/4
44	19133812	Washer 13/32 x 2-3/8 x 12 Ga.

NOTE: All component dimensions give in U.S. inches
1 inch = 25.4 mm

TRACTOR - - MODEL NUMBER 917.254141

MOWER DECK



42_D_man-tex_LT_35

TRACTOR - - MODEL NUMBER 917.254141

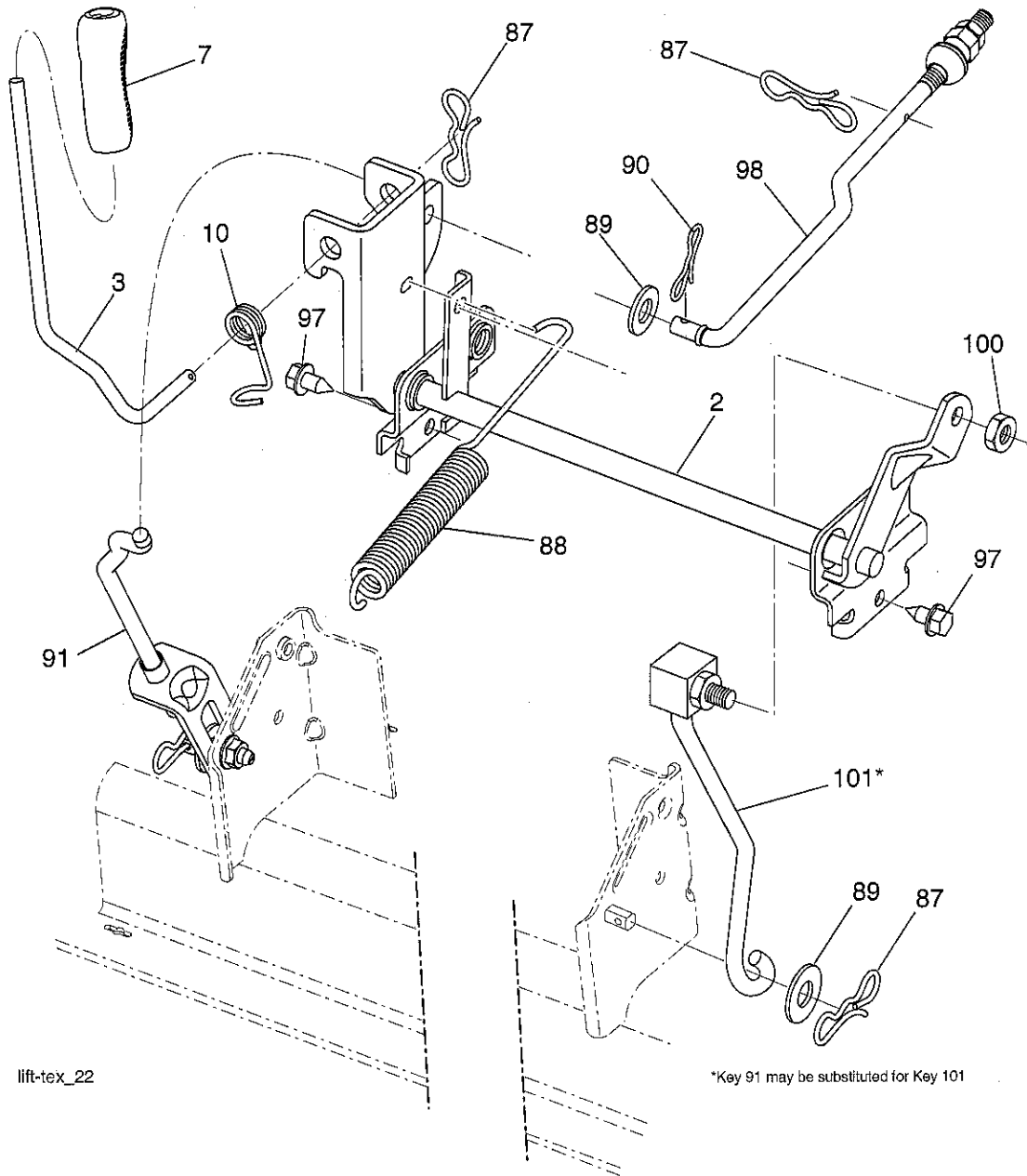
MOWER DECK

KEY NO.	PART NO.	DESCRIPTION	KEY NO.	PART NO.	DESCRIPTION
1	196495X615	Deck Weldment Mower	67	198398X505	Handle Clutch Cable
2	72140506	Bolt 5/16-18 x 3/4	68	429636	V-Belt
6	195186	Arm Suspension	69	STD533106	Bolt
7	416358	Screw #10 x .750 BOS Thread	70	199972	Clutch Asm Manual
8	193003	Bolt/Washer asm 7/16-20 unf	101	193107	Cover Mulching
11	424752	Blade, 42" 3NI	102	71081010	Screw Pan HD Phillip 10-24 x 5/8
13	192872	Shaft Assembly, Mandrel	103	19061216	Washer #10
14	187281	Housing, Mandrel	104	10071000	Washer Lock #10
15	110485X	Bearing, Ball, Mandrel	105	160793	Latch Asm.
19	196539	Bolt, Shoulder	106	2029J	Nut Weld .327/.304 # 10-24
20	159770	Baffle Vortex	111	404784	Bracket Wheel Gauge LH
21	STD541431	Nut, Crownlock 5/16-18 unc	112	404785	Bracket Wheel Gauge RH
23	192557	Bracket, Deflector	113	17000510	Bolt 5/16-18
24	105304X	Cap, Sleeve	116	4898H	Bolt, Shoulder
25	197026	Spring, Torsion, Deflector	117	188606	Wheel, Gauge
26	110452X	Nut, Push	118	STD541437	Nut, Lock 3/8-16
27	424469	Shield, Deflector	119	STD551037	Washer 3/8 x 7/8 x 14 Ga.
29	131491	Rod, Hinge	122	197258	Keeper Belt Engine LH
30	173984	Screw Thdrol Rolling Wsh Hd	123	197259	Keeper Belt Engine RH
31	187690	Washer, Spacer	144	199204	Keeper Belt
32	197473	Pulley, Mandrel	145	193197	Pulley Idler, Flat
33	400234	Nut, Toplock, Flanged	147	401971	Spring Return
34	72110612	Bolt Carr Sh. 3/8-16 x 1-1/2 Gr. 5	152	435111	Manual Clutch Cable
36	197379	Pulley, Idler	188	195161	Stud Fastener
37	STD551037	Washer	189	73900500	Nut Lock Hex Flange
38	432520	Keeper Belt LH Mandrel	192	197260	Bracket Brake Stand LH
40	73900600	Nut, Lock Flg. 3/8-16 unc	195	17000612	Screw Hex Wsh Thdr 3/8-16 x 3/4
42	197256	Spring Torsion Retainer	241	152927	Screw TT #10-32.5. 3/8 Flange
43	198410	Spring Torsion Brake	242	415598	Port Washout
46	137729	Screw Thd Roll 1/4-20 x 5/8	--	192870	Mandrel Assembly (Includes housing, shaft assembly, and bearing only - pulley/nut/washer and blade bolt/washers not included)
47	197250	Bracket Clutch Cable	--	437732	Replacement Mower, Complete
55	437110	Arm, Idler			
56	199092	Spacer, Retainer			
57	17000616	Screw 3/8-16 x 1			
59	141043	Guard, Tuv Idler			
60	197261	Arm Brake Mower			
62	STD533720	Bolt Rd Hd Sq Nk 3/8-16 unc x 2			
63	199477	Arm Brake Mower			
64	199790	Link Brake Asm			

NOTE: All component dimensions given in U.S. inches
1 inch = 25.4 mm

TRACTOR - - MODEL NUMBER 917.254141

LIFT ASSEMBLY



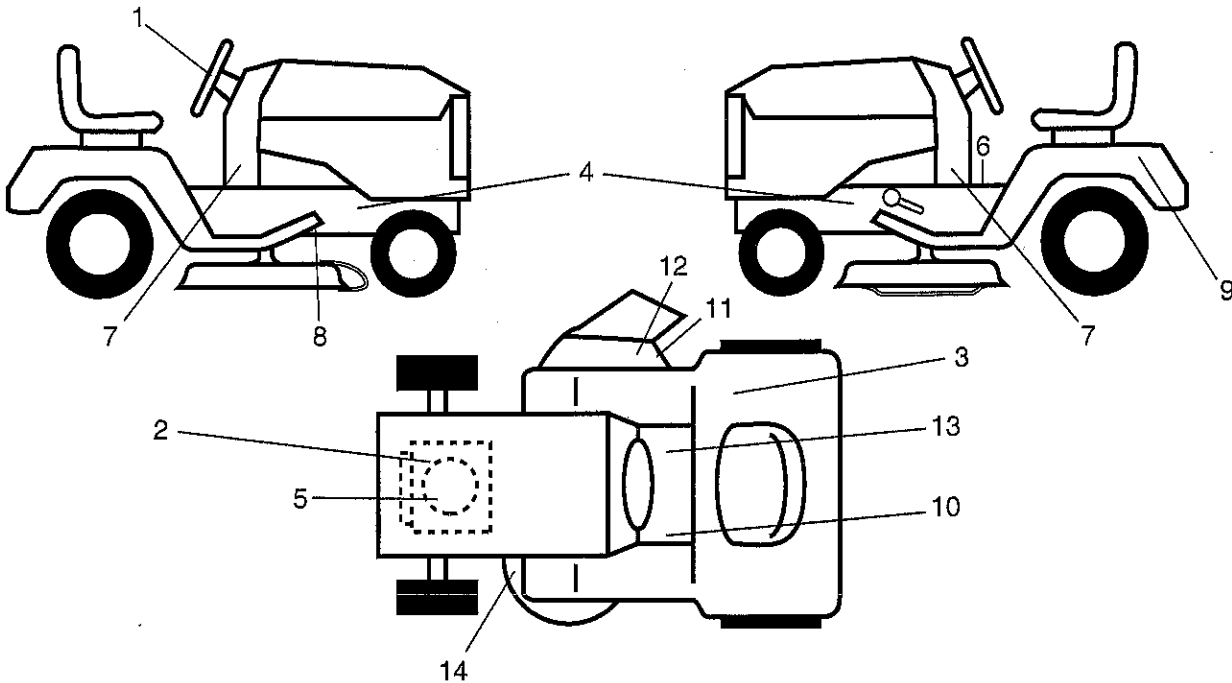
KEY NO.	PART NO.	DESCRIPTION
2	422027	Shaft Asm., Lift
3	195231	Lever Asm., Lift RH
7	196492X428	Grip, Lever
10	196314	Spring Torsion
87	194209	Pin Cotter 7/16 Bow Tie Lock
88	410710	Spring Lift Assist
89	19191912	Washer Clear Zinc
90	194208	Pin Cotter 5/16 Bow Tie Lock
91	195181	Link Lift Susp Mower Rear

KEY NO.	PART NO.	DESCRIPTION
97	17000612	Screw 3/8-16 x .75
98	195270	Link Lift Susp. Front Mower
100	73930600	Nut Centerlock 3/8-16 unc
101	407003	Link Asm Lift FXD

NOTE: All component dimensions give in U.S. inches
1 inch = 25.4 mm

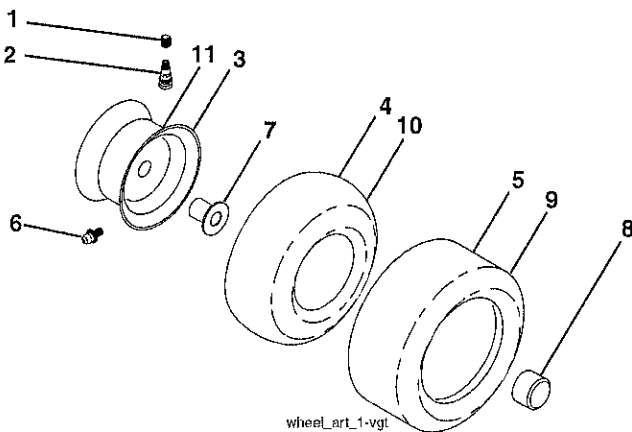
TRACTOR - - MODEL NUMBER 917.254141

DECALS



KEY NO.	PART NO.	DESCRIPTION	KEY NO.	PART NO.	DESCRIPTION
1	422885	Decal, Steering	13	140837	Decal, Saddle Brake Parking
2	196841	Decal, Warning Engine Symbols	14	160396	Decal, V-Belt Sch.
3	180432	Decal, Fender 100 DB/CE	--	162598	Decal, Drawbar Load Limit
4	159736	Decal, Chassis Hot Muffler	--	193226X428	Pad, Footrest LH
5	420133	Decal, Engine HP	--	193227X428	Pad, Footrest RH
6	400389	Decal, Fender Operator's	--	166960	Decal, Bypass
7	425787	Decal, Lower Dash	--	427730	Manual, Operator's (Euro)
8	421534	Decal, V-Belt Schematic Drive	--	427731	Manual, Operator's (Scand)
9	145005	Decal, Battery Dnge/Poi	--	427732	Manual, Operator's (E-Bloc)
10	159737	Decal, Brake/Clutch Symbol	--	427733	Manual, Operator's (Baltic)
11	196357	Decal, Deflector Wrn Cutfinger Symbol	--	436465	Manual, Parts
12	182166	Decal, Cutfinger CE			

WHEELS & TIRES



KEY NO.	PART NO.	DESCRIPTION
1	59192	Cap, Valve, Tire
2	65139	Stem, Valve
3	106732X613	Rim Assembly, Front
4	59904	Tube, Front
5	106222X	Tire, Front
6	278H	Fitting, Grease
7	9040H	Bearing, Flange
8	104757X428	Cap, Axle
9	420531	Tire, 18 x 9.5-8 TurfSaver LT
10	7152J	Tube, Rear
11	106108X613	Rim Assembly, Rear
--	144334	Sealant, Tire (10 oz. Tube)

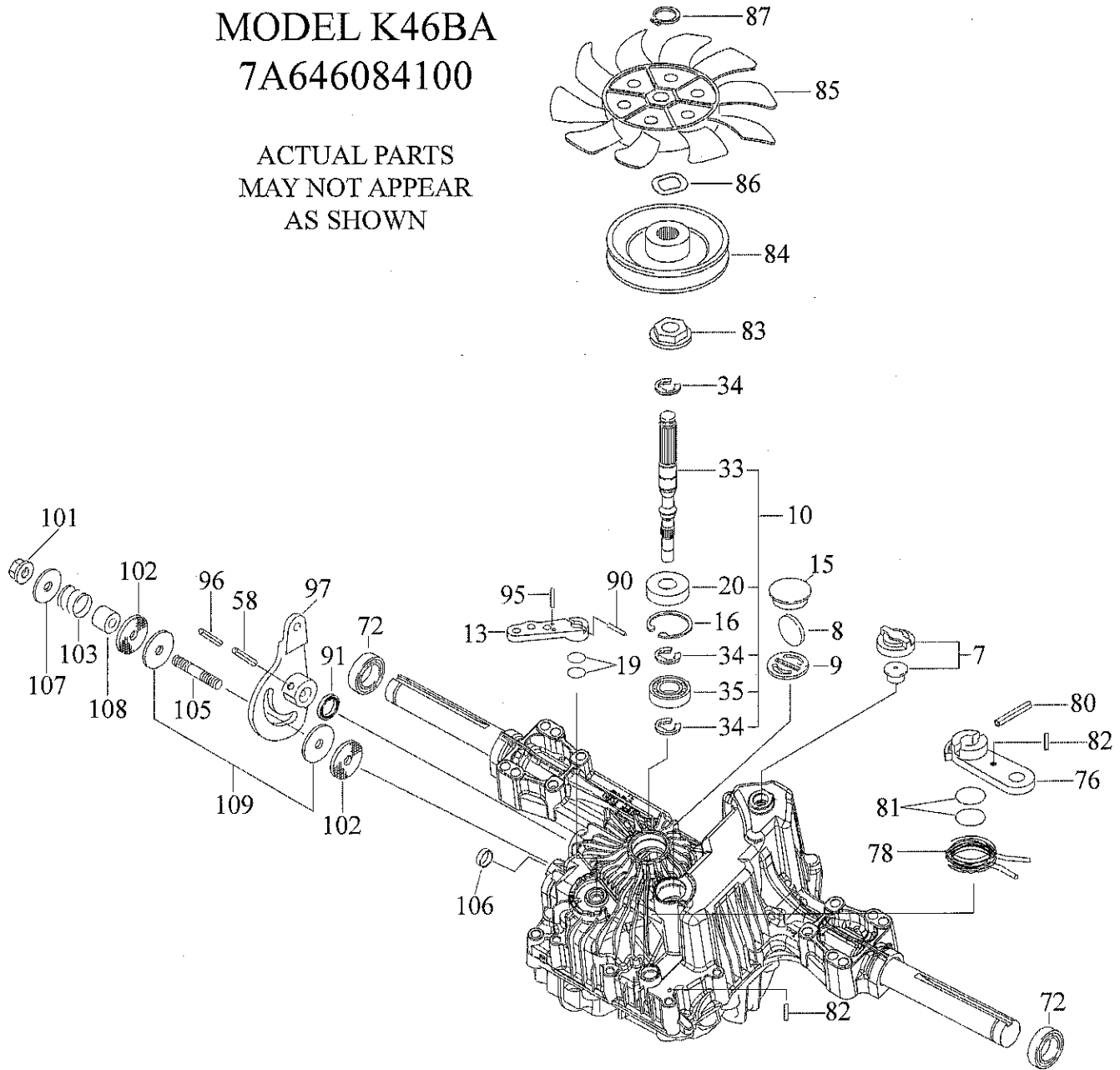
NOTE: All component dimensions give in U.S. inches
1 inch = 25.4 mm

TRACTOR - - MODEL NUMBER 917.254141

TUFFTORQ TRANSAXLE - MODEL NUMBER K46BA

MODEL K46BA
7A646084100

ACTUAL PARTS
MAY NOT APPEAR
AS SHOWN



TRACTOR - - MODEL NUMBER 917.254141

TUFFTORQ TRANSAXLE - MODEL NUMBER K46BA

KEY NO.	PART NO.	DESCRIPTION
7	414395	VENT VALVE 15
8	414396	MAGNET
9	414397	MAGNET HOLDER
10	415923	PUMP SHAFT/BEARING KIT
13	414398	BYPASS LEVER
15	414399	SEALING CAP 30
16	414400	SNAP RING C 35
19	414401	O-RING 1A P10A
20	414402	SEAL TC 153507
33	414403	PUMP SHAFT (STANDARD
34	414404	E-RING 15
35	414405	BEARING 6202C3
58	414406	ROLL PIN 6 * 40
72	414407	SEAL 19 * 32 * 8
76	414408	BRAKE LEVER
78	414409	BRAKE RETURN SPRING
80	414410	SPRING PIN 5 * 32
81	414411	O-RING 1A P12
82	414412	SPRING PIN 4 * 16
83	414413	SPINE COLLAR
84	414414	PULLEY L
85	414415	FAN, BLACK
86	414416	WAVE WASHER
87	414417	SNAP RING
90	414418	SPRING PIN 3.0A * 20
91	414419	OIL SEAL 16 * 22 * 03
95	415850	SPRING PIN 3.0A * 16
96	414420	ROLL PIN 3.5 * 40
97	414421	CONTROL LEVER
101	414216	LOCK NUT 10
102	414423	WASHER 10 * 40 * 4
103	414424	SPRING
105	414425	STUD 10 * 60
106	414426	SEALING CAP 18
107	414427	WASHER 10 * 36 * 2.8
108	414428	COLLAR 10 * 20 * 17
109	414429	FRICTION PLATE KIT

NOTE: All component dimensions give in U.S. inches
1 inch = 25.4 mm

TRACTOR - - MODEL NUMBER 917.254141

BRIGGS & STRATTON ENGINE-MODEL NUMBER 445677, TYPE NUMBER 1344-B1

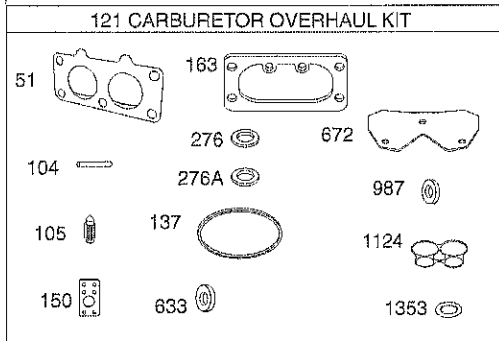
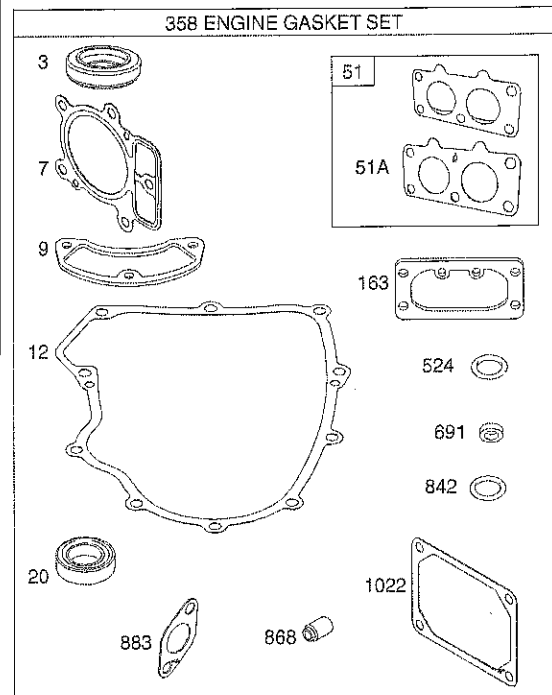
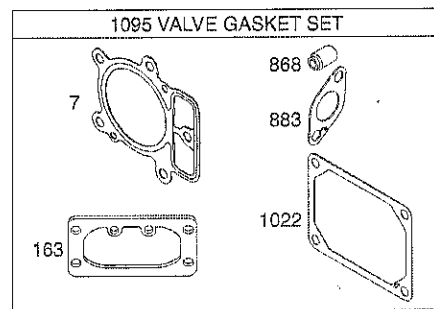
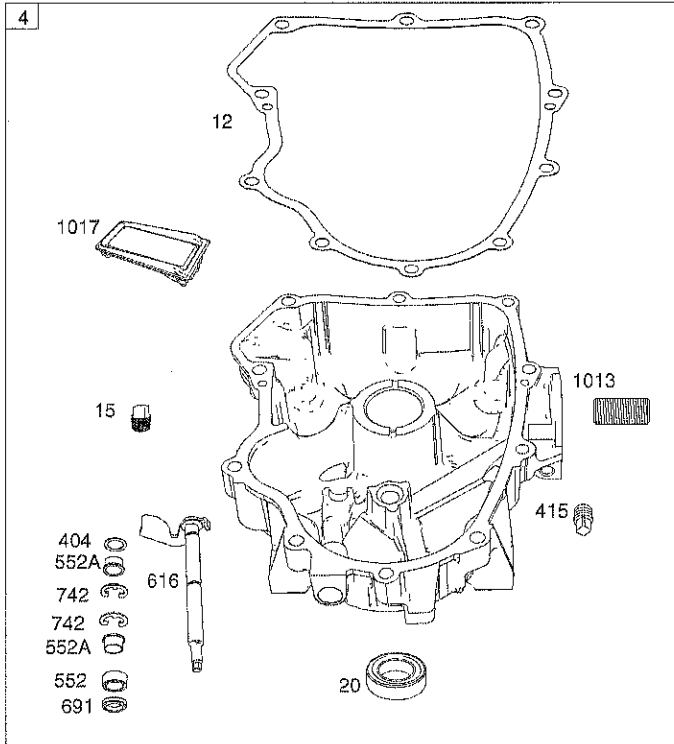
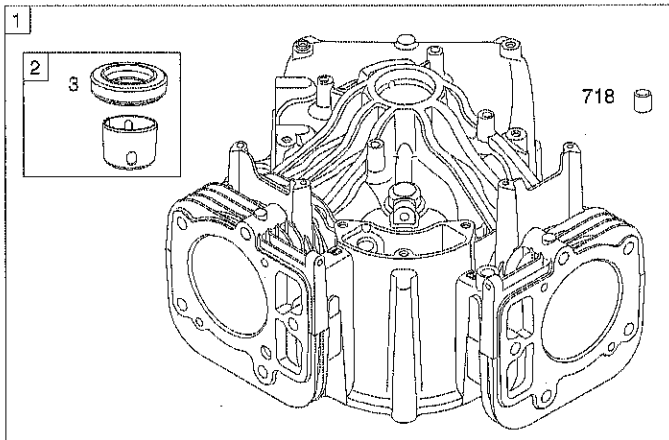
48 SHORT BLOCK

1058 OPERATOR'S MANUAL

1329 REPLACEMENT ENGINE

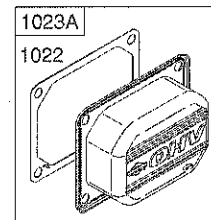
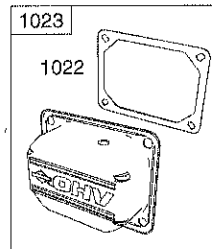
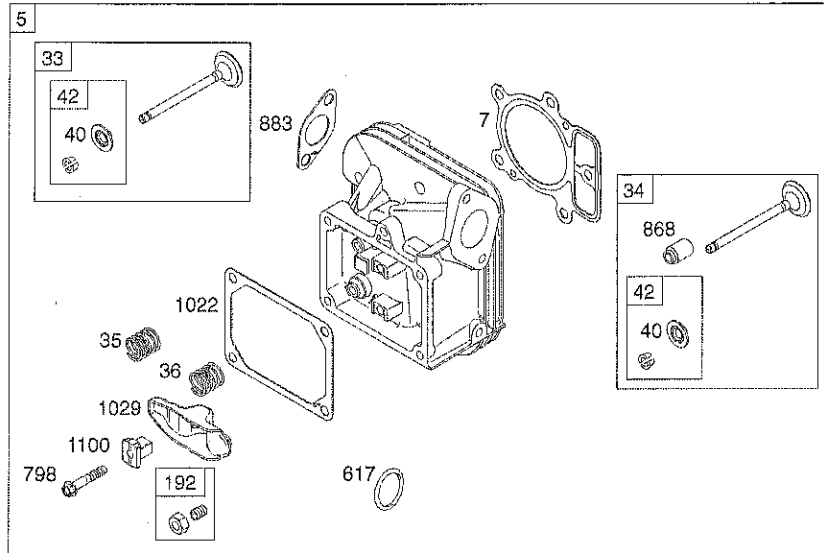
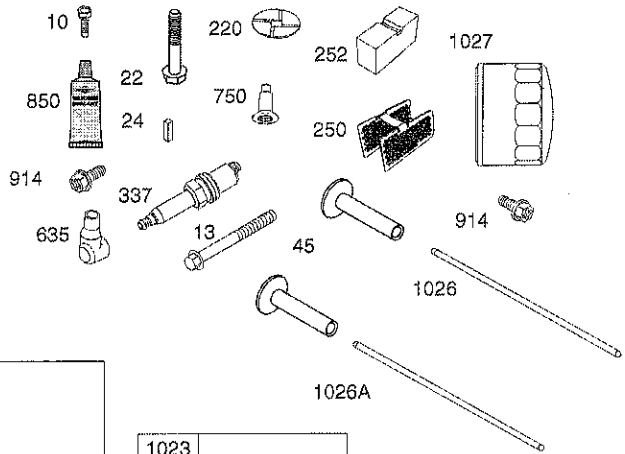
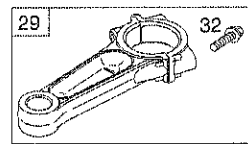
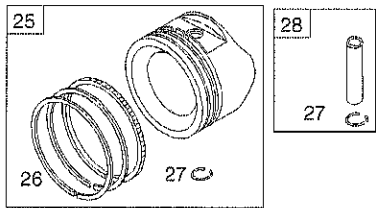
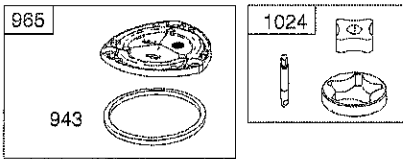
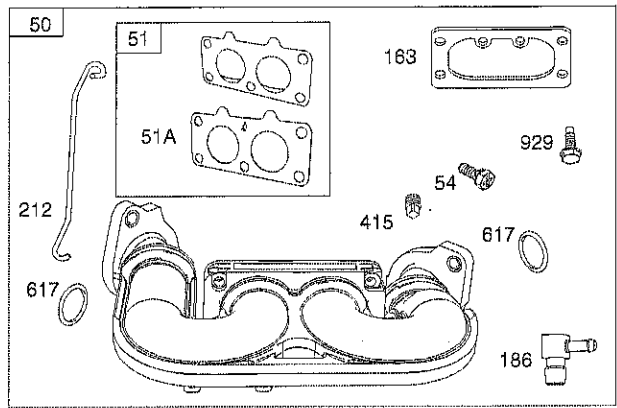
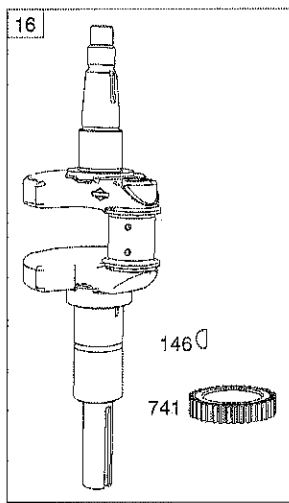
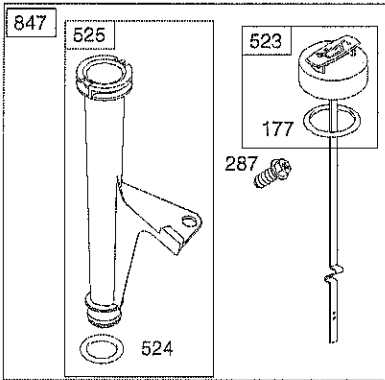
1330 REPAIR MANUAL

LIQUID GASKET AND THE BREATHER GASKET ARE INTERCHANGEABLE



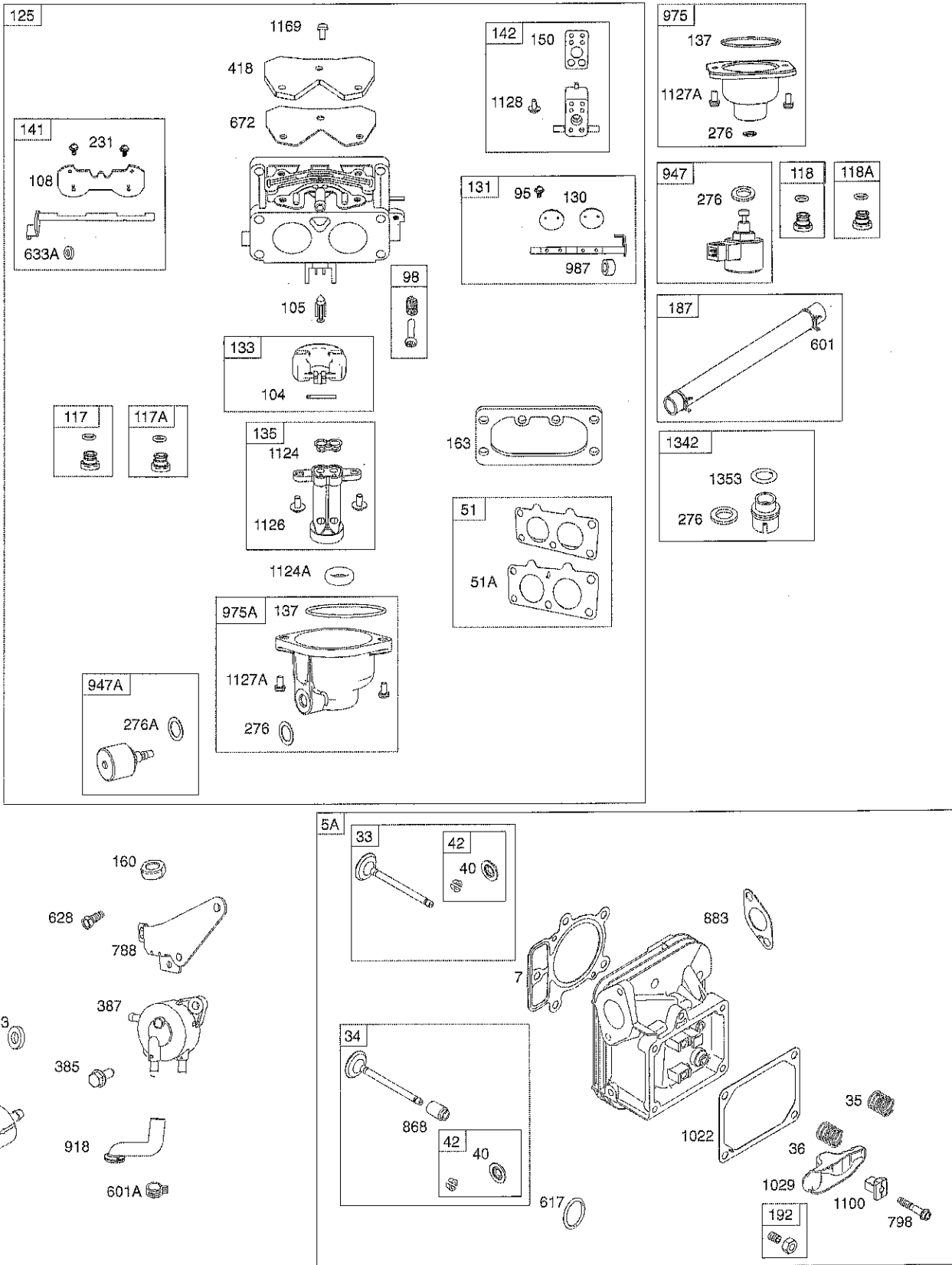
TRACTOR - - MODEL NUMBER 917.254141

BRIGGS & STRATTON ENGINE-MODEL NUMBER 445677, TYPE NUMBER 1344-B1



TRACTOR -- MODEL NUMBER 917.254141

BRIGGS & STRATTON ENGINE-MODEL NUMBER 445677, TYPE NUMBER 1344-B1



TRACTOR - - MODEL NUMBER 917.254141

BRIGGS & STRATTON ENGINE-MODEL NUMBER 445677, TYPE NUMBER 1344-B1

KEY NO.	PART NO.	DESCRIPTION	KEY NO.	PART NO.	DESCRIPTION
1	793564	Cylinder Assembly	135	699729	Tube-Fuel Transfer
2	499585	Bushing/Seal Kit (Magneto Side)	137*	690994	Gasket-Float Bowl
3	*391086s	Seal-Oil (Magneto Side)	141	699722	Kit-Choke Shaft
4	796230	Sump-Engine	142	699726	Nozzle-Carburetor
5	796231	Head-Cylinder (Cylinder #1)	146	690979	Key-Timing
5A	796232	Head-Cylinder (Cylinder #2)	150	690995	Gasket-Nozzle
7**	693997	Gasket-Cylinder Head	160	699727	Retainer-Solenoid (Brass) (Original Carburetor)
8	792185	Breather Assembly	163	691001	Gasket-Air Cleaner
9	*690937	Gasket-Breather (Liquid Gasket and The Breather Gasket Are Inter-changeable)	177	691031	Seal-O Ring (Dipstick)
10	697551	Screw (Breather Assembly)	187	791766	Line-Fuel (Cut to Required Length)
11	792184	Tube-Breather	188	697551	Screw (Control Bracket)
12	*697227	Gasket-Crankcase	192	690083	Adjuster-Rocker Arm
13	793988	Screw (Cylinder Head)	197	697820	Screw (Back Plate)
15	690946	Plug-Oil Drain	209	796224	Spring-Governor (Yellow/Black)
16	796540	Crankshaft	211	796225	Spring-Governed Idle (Orange)
20	*795387	Seal-Oil (PTO Side)	212	695238	Link-Throttle
22	694966	Screw (Crankcase Cover/Sump)	213	691021	Bracket-Choke Control
23	691054	Flywheel	216	691022	Link-Choke
24	222698s	Key-Flywheel	219	793338	Gear-Governor
25	792023	Piston Assembly (Standard)	220	690412	Washer (Governor Gear)
	792072	Piston Assembly (.020" Oversize)	221	841026	Cup-Governor
26	793561	Ring Set (Standard)	222	796630	Bracket-Control
	792073	Ring Set (.020" Oversize)	227	796223	Lever-Governor Control
27	690975	Lock-Piston Pin	231	690718	Screw (Choke Valve)
28	696581	Pin-Piston	240	691035	Filter-Fuel
29	699699	Rod-Connecting	250	690957	Retainer-Breather
32	690976	Screw (Connecting Rod)	252	794389	Collector-Oil
33	697576	Valve-Exhaust	265	691024	Clamp-Casing
34	792200	Valve-Intake	267	792629	Screw (Casing Clamp)
35	694865	Spring-Valve (Intake)	276	794271	Washer-Sealing (Aluminum)
36	694865	Spring-Valve (Exhaust)	276A	695410	Washer-Sealing (Used On Service Carburetor)
40	690964	Retainer-Valve	278	792651	Washer (Governor Control Lever)
42	499586	Keeper-Valve	287	697551	Screw (Dipstick Tube)
45	690977	Tappet-Valve	304	796597	Housing-Blower
46	792555	Camshaft	305	691005	Screw (Blower Housing)
48	698172	Short Block	305A	698336	Screw (Blower Housing)
50	695241	Manifold-Intake	305B	790690	Screw (Blower Housing) (Blower Housing to Intake Elbow)
51**	795123	Gasket-Intake	309	499521	Motor-Starter
51A**	*690950	Gasket-Intake	310	691263	Screw (Starter Motor)
53	690951	Stud (Carburetor)	332	691059	Nut (Flywheel)
54	699816	Screw (Intake Manifold)	333	691060	Armature-Magneto
73	494439	Screen-Rotating	334	691061	Screw (Magneto Armature)
74	698425	Screw (Rotating Screen)	337	691043	Plug-Spark
75	691056	Washer (Flywheel)	358	694012	Gasket Set-Engine
95	690718	Screw (Throttle Valve)	385	697551	Screw (Fuel Pump)
98	699721	Kit-Idle Speed	387	808656	Pump-Fuel
104*	694918	Pin-Float Hinge	404	690442	Washer (Governor Crank)
105*	698537	Valve-Float Needle108	415	794903	Plug (Oil Pressure Switch Hole)
--	699723	Valve-Choke	415A	690283	Plug (Intake Manifold)
117	791501	Jet-Main (Standard) (Left)	418	795912	Plate-Carburetor
117A	791502	Jet-Main (Standard) (Right)	431	790816	Elbow-Intake
118	695415	Jet-Main (High Altitude) (Left)	445	499486s	Filter-Air Cleaner Cartridge
118A	843099	Jet-Main (High Altitude) (Right)	447	691003	Screw (Air Guide Cover) (Long)
121	792455	Kit-Carburetor Overhaul	447A	697551	Screw (Air Guide Cover) (Short)
125	791230	Carburetor	462	691261	Washer (Starter Cable)
130	690993	Valve-Throttle	467	691008	Knob-Air Cleaner
131	499805	Kit-Throttle Shaft			
133	699724	Float-Carburetor			

TRACTOR -- MODEL NUMBER 917.254141

BRIGGS & STRATTON ENGINE-MODEL NUMBER 445677, TYPE NUMBER 1344-B1

KEY NO.	PART NO.	DESCRIPTION	KEY NO.	PART NO.	DESCRIPTION
474	696459	Alternator	965	796221	Cover-Oil Pump
505	691029	Nut (Governor Control Lever)	967	273638s	Filter-Pre Cleaner
510	696541	Drive-Starter	968	791242	Cover-Air Cleaner
513	692024	Clutch-Drive	975	499810	Bowl-Fuel
523	691036	Dipstick	975A	793592	Bowl-Fuel (Used On Service Carburetor)
524	•691032	Seal-Dipstick Tube	987	♣691000	Seal-Throttle Shaft
525	691037	Tube-Dipstick	1005	791236	Fan-Flywheel
544		Armature-Starter (Service by 499521 Starter Motor Only, Reference 309)	1013	690954	Nipple-Oil Filter
552	690552	Bushing-Governor Crank	1017	796214	Screen-Oil Pump
552A	690553	Bushing-Governor Crank	1022	♦♦ 690971	Gasket-Rocker Cover (Liquid Gasket and Rocker Cover Gasket are interchangeable)
562	690311	Screw (Governor Control Lever)	1023	793146	Cover-Rocker (Cylinder #1)
573	790444	Plate-Back	1023A	499600	Cover-Rocker (Cylinder #2)
601	791850	Hose-Clamp (Green)	1024	796220	Pump-Oil
601A	691038	Hose-Clamp (Black)	1026	690981	Rod-Push (Steel)
615	698290	Retainer-Governor Shaft	1026A	690982	Rod-Push (Aluminum)
616	691045	Crank-Governor	1027	492932s	Filter-Oil
617	♣ 697891	Seal-O Ring (Intake Manifold) (Red)	1029	690972	Arm-Rocker
628	697551	Screw (Fuel Pump Bracket)	1036		Label-Emissions (Available from a Briggs & Stratton Authorized Dealer)
633	699813	Seal-Choke/Throttle Shaft (Choke Shaft)	1040	791237	Plate-Trim
633A	690998	Seal-Choke/Throttle Shaft (Choke Shaft)	1051	691265	Ring-Retaining
635	66538s	Boot-Spark Plug	1054	280275	Tie-Cable
654	690958	Nut (Carburetor)	1058	276245	Operator's Manual
668	691215	Spacer (Rotating Screen)	1059	698516	Kit-Screw/Washer
672	690234	Gasket-Carburetor Plate	1070	791680	Screw (Flywheel Fan)
691	•790574	Seal-Governor Shaft	1090	691293	Retainer-Brush
697	690372	Screw (Drive Cap)	1095	694013	Gasket Set-Valve
703	691010	Clip	1000	791959	Pivot-Rocker Arm
718	690959	Pin-Locating	1119	691183	Screw (Alternator)
741	690980	Gear-Timing	1124	690988	Seal-O Ring (Fuel Transfer Tube)
742	690328	Retainer-E Ring	1124A	842653	Seal-O Ring (Fuel Transfer Tube) (Used On Service Carburetor)
750	796208	Screw (Oil Pump Cover)	1126	690991	Screw (Fuel Transfer Tube)
783	695708	Gear-Pinion	1127	690992	Screw (Float Bowl) (M5x10mm)
788	793145	Bracket-Fuel Pump	1127A	695407	Screw (Float Bowl) (Used On Service Carburetor) (M5x16mm)
789	698330	Harness-Wiring	1128	690990	Screw (Carburetor Nozzle)
798	697890	Screw (Rocker Arm)	1169	690990	Screw (Carburetor Cover Plate)
801	691283	Cap-Drive	1329	44Q7770037G1	Replacement Engine
802	691286	Cap-End	1330	273521	Repair Manual
803		Housing-Starter (Service by 499521 Starter Motor Only, Reference 309)	1342	699731	Extension-Fuel Transfer Tube (Original Carburetor)
847	499602	Dipstick/Tube Assembly	1353	699725	Seal-O Ring (Fuel Transfer Tube Extension)
850	100106	Sealant-Liquid (Used to Seal Breather Assembly and Rocker Cover)			
851	493880s	Terminal-Spark Plug			
865	691012	Cover-Air Guide (Cylinder #1)			
865A	796541	Cover-Air Guide (Cylinder #2)			
865B	691015	Cover-Air Guide (Cylinder #3)			
868	♦♦ 690968	Seal-Valve			
877	790544	Wire/Connector-Alternator			
883	•690970	Gasket-Exhaust			
914	691127	Screw (Rocker Cover)			
918	793147	Hose-Vacuum			
929	695239	Screw (Choke Control Bracket)			
943	•796222	Seal-O Ring (Oil Pump Cover)			
947	699728	Solenoid-Fuel (Original Carburetor)			
947A	841546	Solenoid-Fuel (Used On Service Carburetor)			

- Included in Engine Gasket Set, Key. No. 358
- ♦ Included in Valve Gasket Set, Key No. 1095
- ♣ Included in Carburetor Overhaul Kit, Key, No. 121

NOTE: All component dimensions given in U.S. inches
1 inch = 25.4 mm

SERVICE NOTES

SERVICE NOTES

SERVICE NOTES

LIMITED WARRANTY ON CRAFTSMAN RIDING EQUIPMENT

For two (2) years from the date of purchase, if this Craftsman Riding Equipment is maintained, lubricated and tuned up according to the instructions in the owner's manual, Sears will repair or replace free of charge any parts that are found to be defective in material or workmanship according to the guidelines of coverage listed below. Sears will also provide free labor for these applicable warranted parts for the two full years. During the first 30 days of purchase, there will be no charges to service the product at your home for issues covered by this warranty. (See exclusions below). For your convenience, IN HOME warranty service will still be available after the first 30 days of purchase, but a trip charge will apply. This charge will be waived if the Craftsman product is dropped off at an authorized Sears location. For the nearest authorized Sears location, please call 1-800-4-MY-HOME®. This warranty applies only while this product is within the United States.

This Warranty does not cover:

- Expendable items which become worn during normal use, including but not limited to blades, spark plugs, air cleaners, belts, and oil filters.
- Standard Maintenance Servicing, oil changes, or tune-ups
- Tire replacement or repair caused by punctures from outside objects, such as nails, thorns, stumps, or glass.
- Repairs necessary because of operator abuse, including but not limited to, damage caused by towing objects beyond the capability of the riding equipment, impacting objects that bend the frame or crankshaft, or over-speeding the engine.
- Repairs necessary because of operator negligence, including but not limited to, electrical and mechanical damage caused by improper storage, failure to use the proper grade and amount of engine oil, failure to keep the deck clear of flammable debris, or failure to maintain the equipment according to the instructions contained in the owner's manual.
- Engine (fuel system) cleaning or repairs caused by fuel determined to be contaminated or oxidized (stale). In general, fuel should be used within 30 days of its purchase date.
- Normal deterioration and wear of the exterior finishes, or product label replacement.
- Riding equipment used for commercial or rental purposes.

LIMITED WARRANTY ON BATTERY

For ninety (90) days from date of purchase, if any battery included with this riding equipment proves defective in material or workmanship and our testing determines the battery will not hold a charge, Sears will replace the battery at no charge. During the first 30 days of purchase, there will be no charges to replace the battery at your HOME. After the first 30 days, for your convenience, IN-HOME warranty service will still be available but a trip charge will apply. This charge will be waived if the Craftsman product is dropped off at an authorized Sears location. For the nearest authorized Sears location, please call 1-800-4-MY-HOME®.

This battery warranty applies only while this product is within the United States.

This warranty gives you specific legal rights, and you may also have other rights, which vary, from state to state.

Sears, Roebuck and Co., Hoffman Estates, IL 60179

