

**REPAIR PARTS MANUAL**  
**MODEL NO. 253702**  
**Lawn Tractor**



# HOW TO USE THIS MANUAL

This manual is designed to provide the customer with a means to identify the parts on his/her tractor when ordering repair parts. The illustrations may or may not represent the actual assemblies; therefore, it is not recommended to use this manual as a guide to assemble or disassemble the tractor. Some hardware and parts are drawn larger in order to more readily identify them.

Each tractor has its own model number.

The model number for your tractor can be found on the fender under the seat.

When ordering parts, always give the following information:

- Product - "Tractor"
- Model Number - "253702"
- Part Number
- Part Description

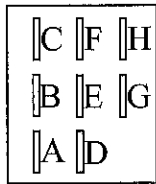
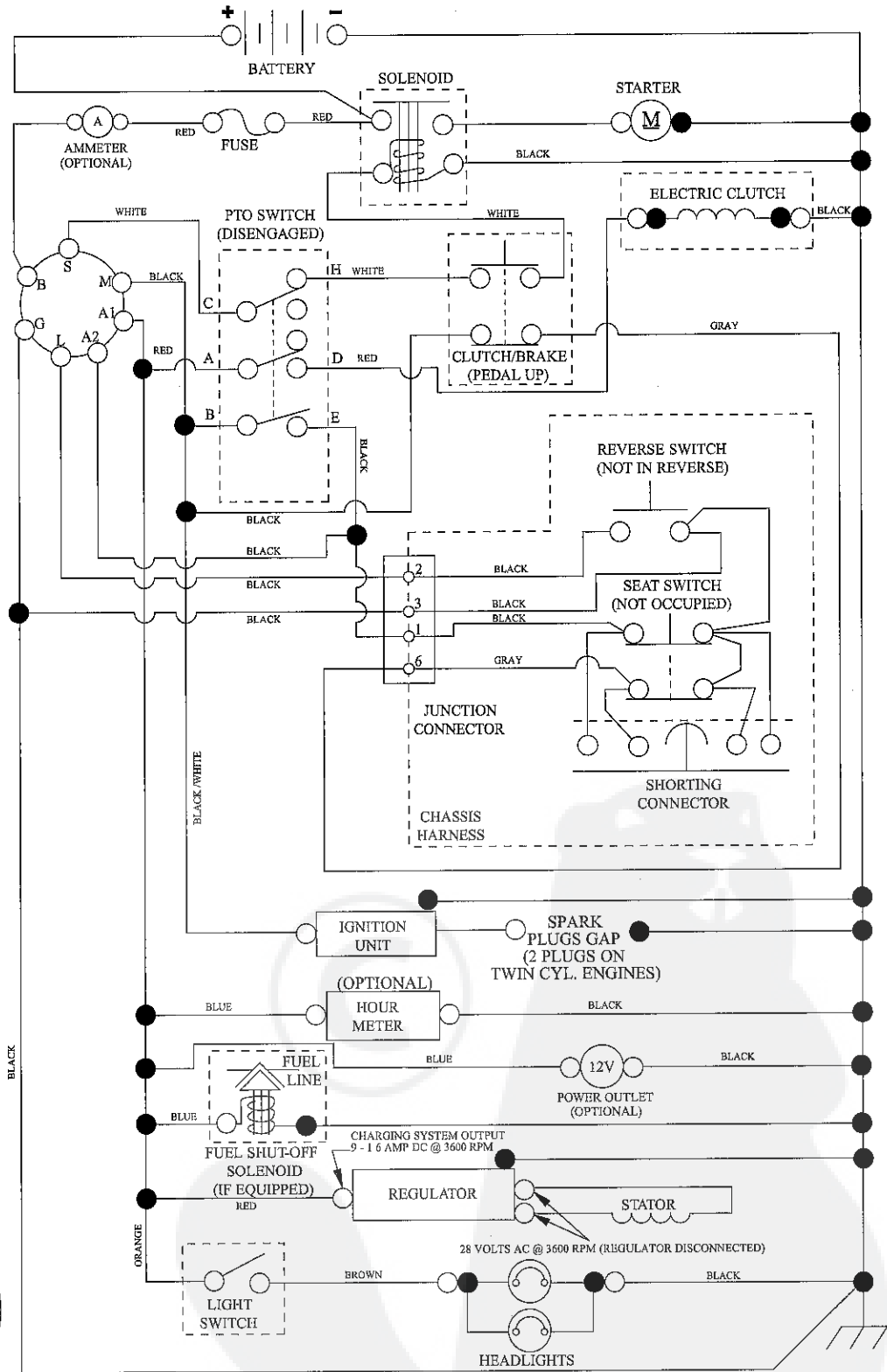
## TABLE OF CONTENTS

SCHEMATIC .....	3
ELECTRICAL.....	4-5
CHASSIS .....	6-7
DRIVE.....	8-9
ENGINE.....	10-11
STEERING .....	12
SEAT .....	13
MOWER DECK .....	14-15
MOWER LIFT.....	16
DECALS.....	17
TRANSAXLE BREAKDOWN .....	18-19
ENGINE BREAKDOWN.....	20-23
WARRANTY.....	BACK COVER

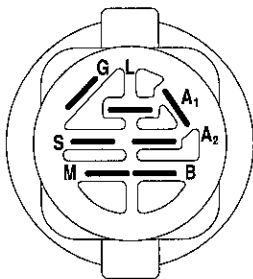
# TRACTOR- -MODEL NO. 917.253702

## SCHEMATIC

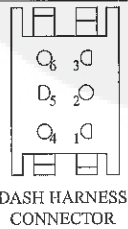
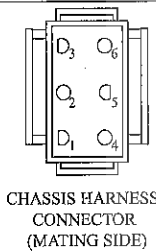
SCH12



PTO SWITCH (MATING SIDE)



POSITION	CIRCUIT "MAKE"
OFF	M+G+A1
RUN/OVERRIDE	B+A1
RUN	B+A1 L+A2
START	B + S + A1



WIRING INSULATED CLIPS  
NOTE: IF WIRING INSULATED CLIPS WERE REMOVED FOR SERVICING OF UNIT, THEY SHOULD BE RE-INSTALLED TO PROPERLY SECURE YOUR WIRING.

NON-REMOVABLE CONNECTIONS

REMOVABLE CONNECTIONS



# TRACTOR- -MODEL NO. 917.253702

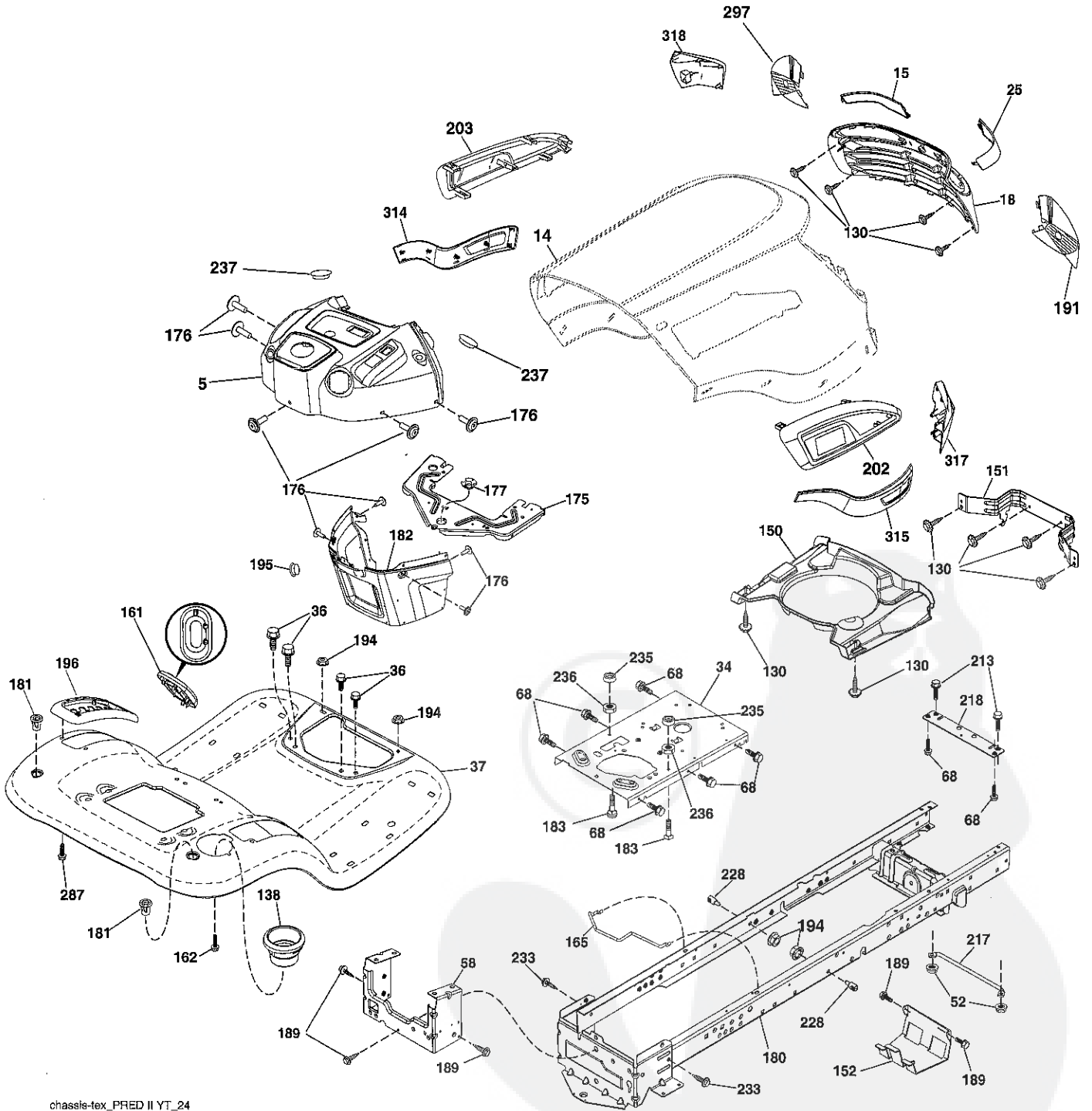
## ELECTRICAL

KEY NO.	PART NO.	DESCRIPTION
1	163465	Battery
2	74760412	Bolt Hex Hd. 1/4-20 unc x 3/4
8	186491	Box Battery
16	176138	Switch Interlock Push-In
21	400252	Harness Socket Light w/4152J
22	4152J	Bulb Light
24	400253	Cable Battery
25	412895	Cable Starter
26	175158	Fuse
27	73510400	Nut Keps Hex 1/4-20 unc
28	145491	Cable, Ground
29	401545	Switch, Seat
30	193350	Switch, Ign.
33	411934	Key/Chain
34	110712X	Switch Light/Reset
40	401104	Harness Ign. Dash
41	17720408	Screw Thd. Cut 1/4-20 x 1/2
42	131563	Cover, Terminal
43	192507	Solenoid
46	401763	Gauge Hourmeter
50	174652	Switch PTO
55	17060512	Screw Thdrol. 5/16-18 x 3/4 TYTT
71	194276	Harness Ign.
79	175242	Socket Asm. Bulb Twistlock
90	435395	Cover Terminal Battery
91	190270	Strap Battery Mount Front
99	17670412	Screw Hexwsh. Thdrol. 1/4-20 x 3/4
100	19091416	Washer 9/32 x 7/8 x 16 Ga.
102	404454	Harness Pigtail
105	407568	Switch Reverse TT Pedal Control

**NOTE:** All component dimensions given in U.S. inches.  
1 inch = 25.4 mm.

# TRACTOR- -MODEL NO. 917.253702

## CHASSIS AND ENCLOSURES



chassis-tex\_PRED II YT\_24

# TRACTOR- -MODEL NO. 917.253702

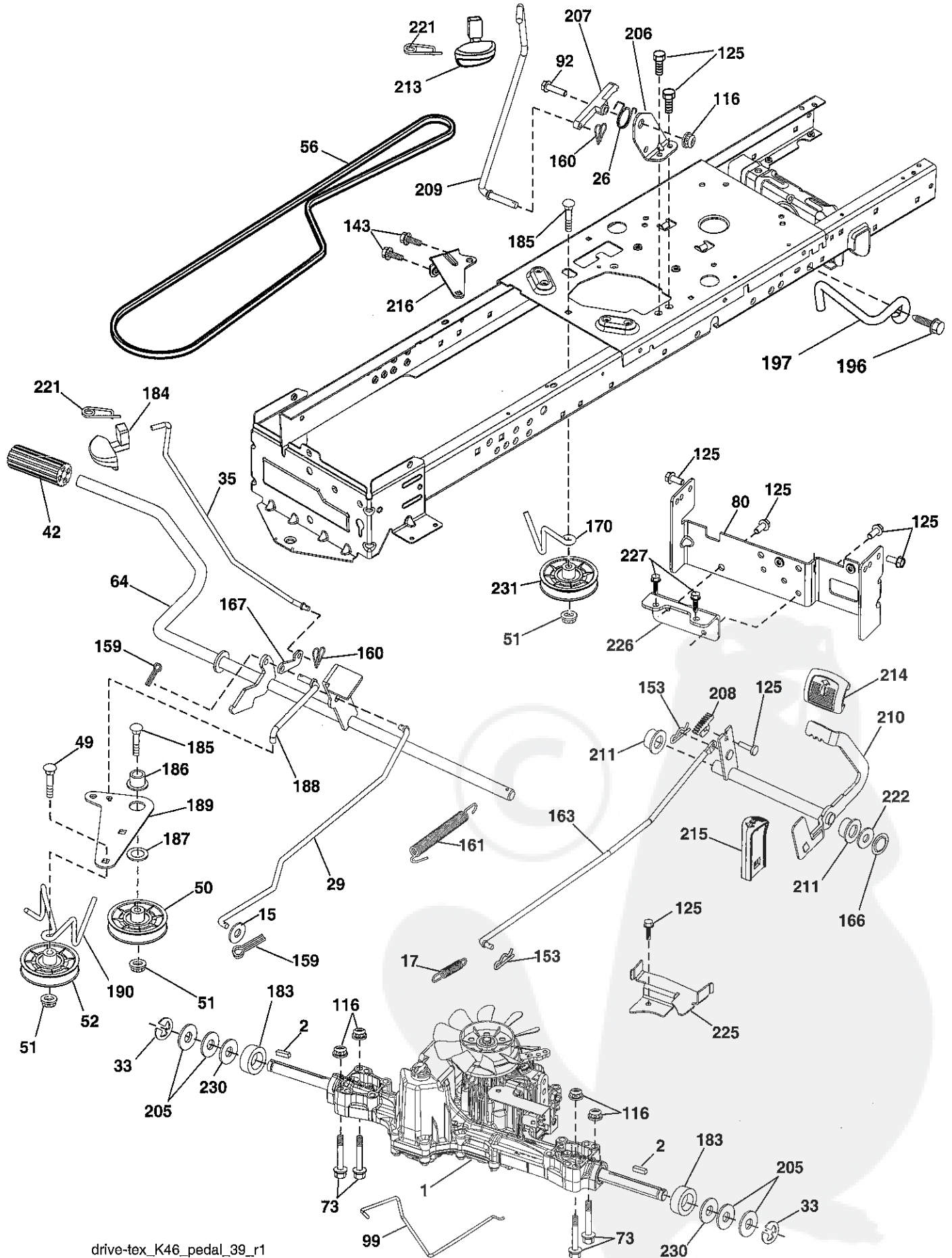
## CHASSIS AND ENCLOSURES

KEY NO.	PART NO.	DESCRIPTION
5	421811X428	Dash
14	421154X615	Hood
15	421493X599	Lens LH
18	423157	Grille
25	421494X599	Lens RH
34	196125	Plate engine
36	17060512	Screw 5/16-18 x 3/4
37	414878X615	Fender
52	73680500	Nut Crown lock 5/16-18
58	412280	Drawbar Upper
68	17490508	Screw Thdrol 5/16-18 x 1/2
130	416358	Screw # 10 x .750 BOS Thread
138	193224X428	Cupholder
150	199411	Duct Heat Hood
151	196332	Bracket Pivot
152	199535	Shield Browning/Debris
161	193229X428	Window Fuel
162	142432	Screw Hex Wsh Hi-Lo 1/4 x 1/2
165	196826	Support Tank Rear
175	196304	Crossmember
176	400776	Screw 10-24 x 5/8 Wshd Qdrx
177	195227	Bushing Steering
180	415063	Chassis
181	193102X428	Bushing Mtg. Fender Crgo.
182	406859	Dash Lower
183	74520520	Bolt 5/16-18 x 1-1/4
189	17000512	Screw 5/16 - 18 x 3/4
191	425407	Insert Reflective RH
194	73900500	Nut Lock Hex Flange 5/16-18
195	401556X428	Plug Hole Dash 12V Adapter
196	414579	Console Asm. Deck Lift
202	423175	Vent Side Hood RH
203	423174	Vent Side Hood LH
213	74760512	Bolt hex HD 5/16-18 unc x 3/4
217	409167	Rod Pivot Chassis
218	196395	X-Piece Hood Stop
228	195161	Stud Fastener
233	196539	Bolt Shoulder
235	406129	Spacer Fender
236	73930500	Nut Center Lock 5/16-18
237	403704	Plug Mount Cargo
287	17600406	Screw Hex Washhead 1/4-20 x 3/8
297	425406	Insert Reflective LH
314	423147	Trim Side LH
315	423148	Trim Side RH
317	421257X615	Bumper Corner RH
318	421258X615	Bumper Corner LH

**NOTE:** All component dimensions given in U.S. inches.  
1 inch = 25.4 mm.

# TRACTOR- -MODEL NO. 917.253702

## DRIVE



drive-tex\_K46\_pedal\_39\_r1



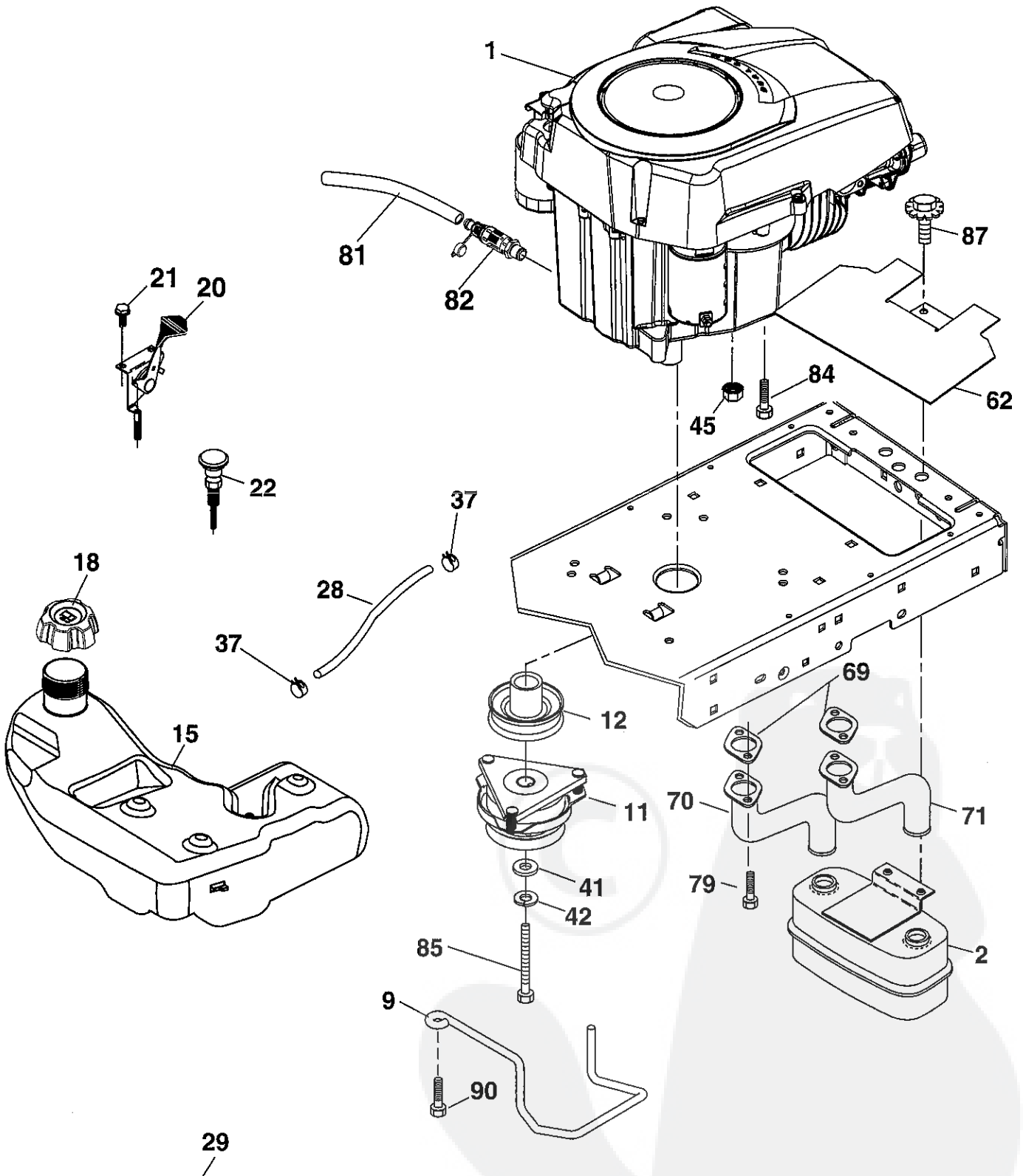
# TRACTOR- -MODEL NO. 917.253702

## DRIVE

KEY NO.	PART NO.	DESCRIPTION	KEY NO.	PART NO.	DESCRIPTION
1	---	Transaxle, TUFFTORQ K46BT (426120)(See Transaxle Break-down)	183	137057	Spacer Split
2	123583X	Key	184	196439X667	Handle Parking Brake
15	19131316	Washer 13/32 x 13/16 x 16 Ga.	185	72110622	Bolt 3/8-16 x 2-3/4 Gr. 5
17	413678	Spring, Brake	186	194321	Spacer Retainer
26	199679	Spring Return Cruise	187	19133210	Washer
29	403806	Rod, Brake	188	194323	Link Clutch Ground Drive
33	12000001	Ring E	189	194317	Bellcrank Ground Drive
35	435486	Rod, Brake, Park	190	194318	Keeper Bellcrank Ground Drive
42	8883R	Cover, Foot Pedal	196	17000616	Screw 3/8-16 x 1
49	72110614	Bolt	197	195804	Bracket Clutch Anti-Rotation
50	194327	Pulley Idler Flat	205	121748X	Washer
51	73900600	Lock Nut 3/8-16	206	197867	Bracket Mount Latch Cruise
52	194326	Idler V-Groove 910" Offset	207	197868	Latch Control Cruise
56	130969	V-Belt, Drive	208	197869	Gear Sector Control Cruise
64	197865	Shaft Asm. Pedal Brake Control	209	199592	Rod Control Cruise
73	74490544	Bolt 5/16-18 x 4.5 Gr. 5	210	400980	Rocker Asm. Pedal Control
80	440619	Strap Torque	211	120183X	Bearing Nylon
92	74760520	Bolt Fin Hex 5/16-18 unc x 1.25	213	196441X428	Knob Control Cruise
99	415742	Rod Spring Bypass	214	421263	Pedal Forward
116	73900500	Nut Lock Hex Flange 5/16-18	215	197301X428	Pedal Reverse
125	17000512	Screw 5/16-18 x 3/4	216	196131	Bracket Pulley Idler
143	17490508	Screw 5/16-18 x 1/2	221	403187	Retainer Spring Clip Handle
153	4497H	Retainer Spring	222	79212010	Washer 21/32 x 1-1/4 x 10 Ga.
159	76020412	Pin Cotter 1/8 x 3/4	225	403319	Keeper Belt Trans.
160	169484	Retainer Clip	226	401564	Bracket Mount Torque
161	105709X	Spring, Return, Clutch	227	17490512	Screw
163	401034	Rod Pedal Control	230	188967	Washer
166	429164	Nut Push .625	231	407287	Idler V-Groove Pulley
167	405257	Latch Brake Parking			
170	413430	Keeper Belt Centerspan			

**NOTE:** All component dimensions given in U.S. inches  
1 inch = 25.4 mm

ENGINE



**SPARK ARRESTER KIT**

engine-tex\_Ko0hl-2cyl\_6

# TRACTOR- -MODEL NO. 917.253702

## ENGINE

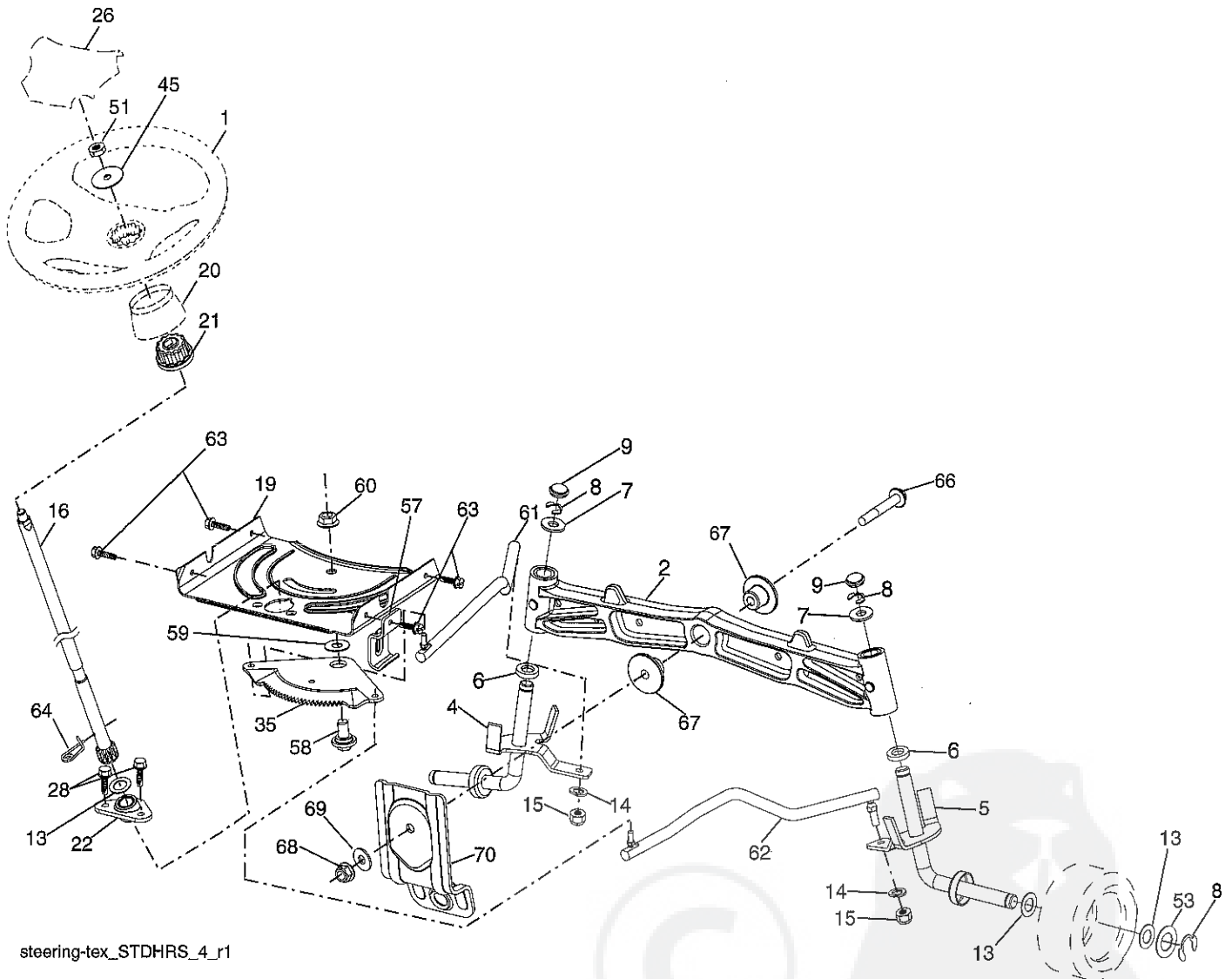
KEY NO.	PART NO.	DESCRIPTION
1	---	Engine Kohler Model No. SV735-3020 (438355) (See Engine Breakdown)
2	149723	Muffler
9	194320	Keeper Belt Engine
11	400008	Clutch Electric
12	405097	Pulley Engine
15	438080	Tank Fuel 2.50
18	430214	Cap
20	177328X428	Control Throttle
21	416358	Screw #10 x 0.750 BOS Thread
22	187767X428	Choke Control
28	8543R	Fuel Line
29	137180	Spark Arrester Kit
37	123487X	Clamp Hose
41	126197X	Washer 1-1/2 OD x 15/32 TD x.250
42	10040700	Washer Lock 7/16
45	73510400	Nut Keps Hex 1/4-20
62	434017	Shield Heat Muffler
69	---	Gasket Kohler (Order from engine Manufacturer)
70	146699	Pipe Exhaust LH
71	146700	Pipe Exhaust RH
79	192334	Screw Socket Head 5/16-18 x .75
81	148456	Tube Drain Oil Easy
82	428287	Valve Oil Drain
84	17120616	Screw 3/8-16 x 1-1/4
85	173937	Bolt Hex 7/16-20 x Gr. 5-1.5 THR
87	171877	Bolt 5/16-18 unc x 3/4 w/Sems.
90	17000616	Screw 3/8-16 x 1.0

**NOTE:** All component dimensions given in U.S. inches  
1 inch = 25.4 mm



# TRACTOR- -MODEL NO. 917.253702

## STEERING ASSEMBLY



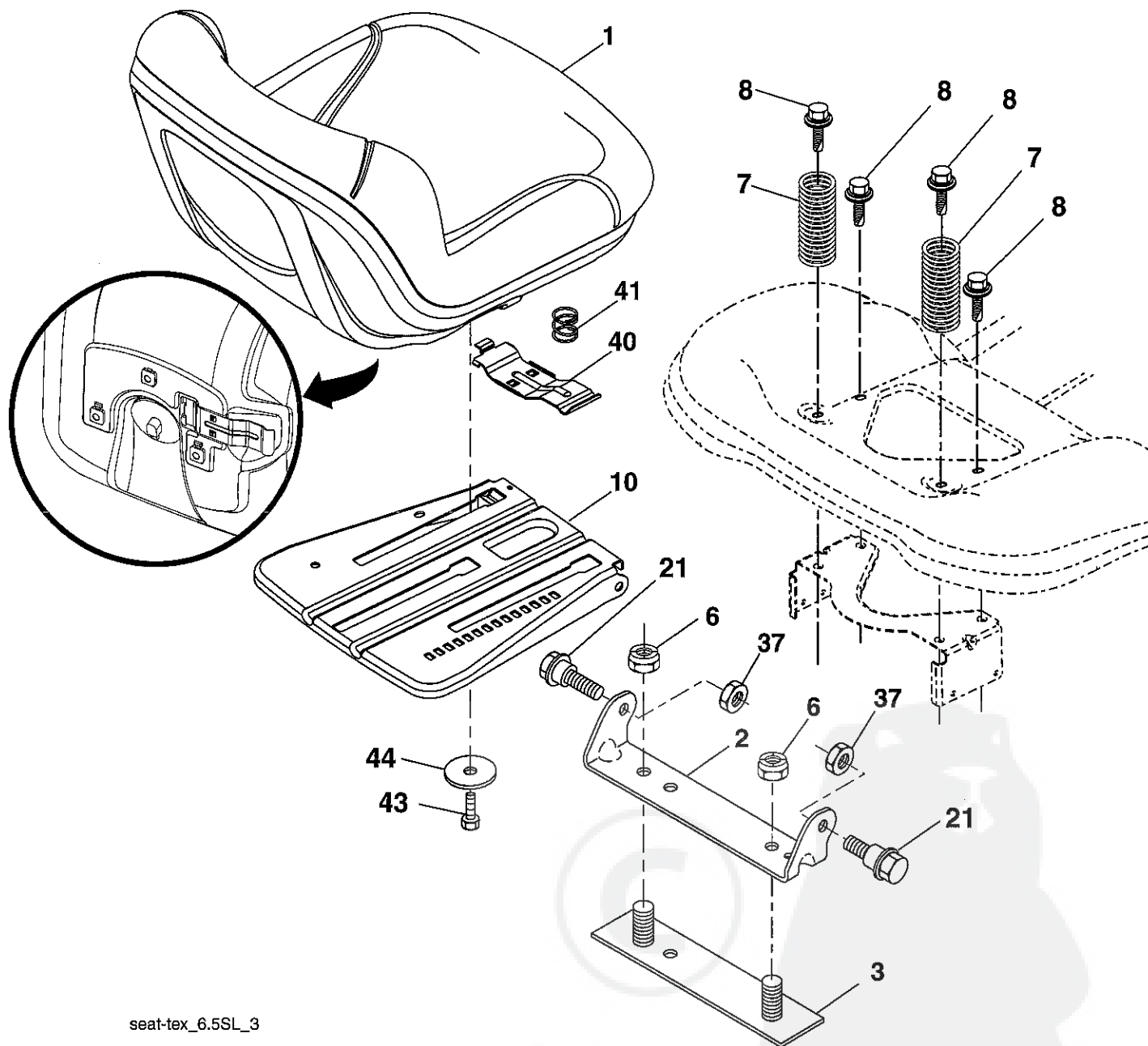
steering-tex\_STDHRS\_4\_r1

KEY NO.	PART NO.	DESCRIPTION	KEY NO.	PART NO.	DESCRIPTION
1	414803X428	Wheel, Steering	45	19183812	Washer 9/16 x 2-3/8 x 12 Ga.
2	195968	Axle Asm., Front	51	73940800	Nut Hex Jam Toplock 1/2-20 unf
4	403087	Spindle Asm., LH	53	188967	Washer Hardened .793 x 1.637 x .060
5	403088	Spindle Asm., RH	57	197246	Bracket Upstop
6	6266H	Bearing, Race Thrust Harden	58	194747	Bolt Shoulder Sector Pivot CFM
7	121748X	Washer 25/32 x 1-5/8 x 16 Ga.	59	194748	Washer Thrust Sector Steering
8	12000029	Ring, Clip #T5304-75	60	73971000	Nut Flange Lock 5/8-11
9	184946X667	Cap, Spindle	61	194740	Draglink, LH
13	121749X	Washer 25/32 x 1-1/4 x 16 Ga.	62	194741	Draglink, RH
14	STD551137	Washer, Lock Hvy Hlcl Spr 3/8	63	17000512	Screw 5/16-18 x 3/4
15	73540600	Nut, Crown Lock 3/8-24 unf	64	199849	Retainer Clip Spring Steering
16	194746	Shaft Steering	66	71020748	Bolt Hex Fghd 7/16-14 x 3 Serr
19	194729	Plate Steering	67	194737	Bushing PM Front Axle
20	199676X428	Boot, Steering	68	73900700	Nut Lock Flange 7/16-14 Gr. 5
21	186737	Adapter, Wheel Steering	69	199162	Washer 1.5 x .505 x .118
22	420537	Steering Supt. Lower	70	196197	Bracket Deck Susp. Front
26	414852X428	Insert, Wheel Steering			
28	17000612	Screw 3/8-16 x 3/4			
35	194732	Gear, Sector Plate			

**NOTE:** All component dimensions given in U.S. inches.  
1 inch = 25.4 mm.

# TRACTOR- -MODEL NO. 917.253702

## SEAT ASSEMBLY



seat-tex\_6.5SL\_3

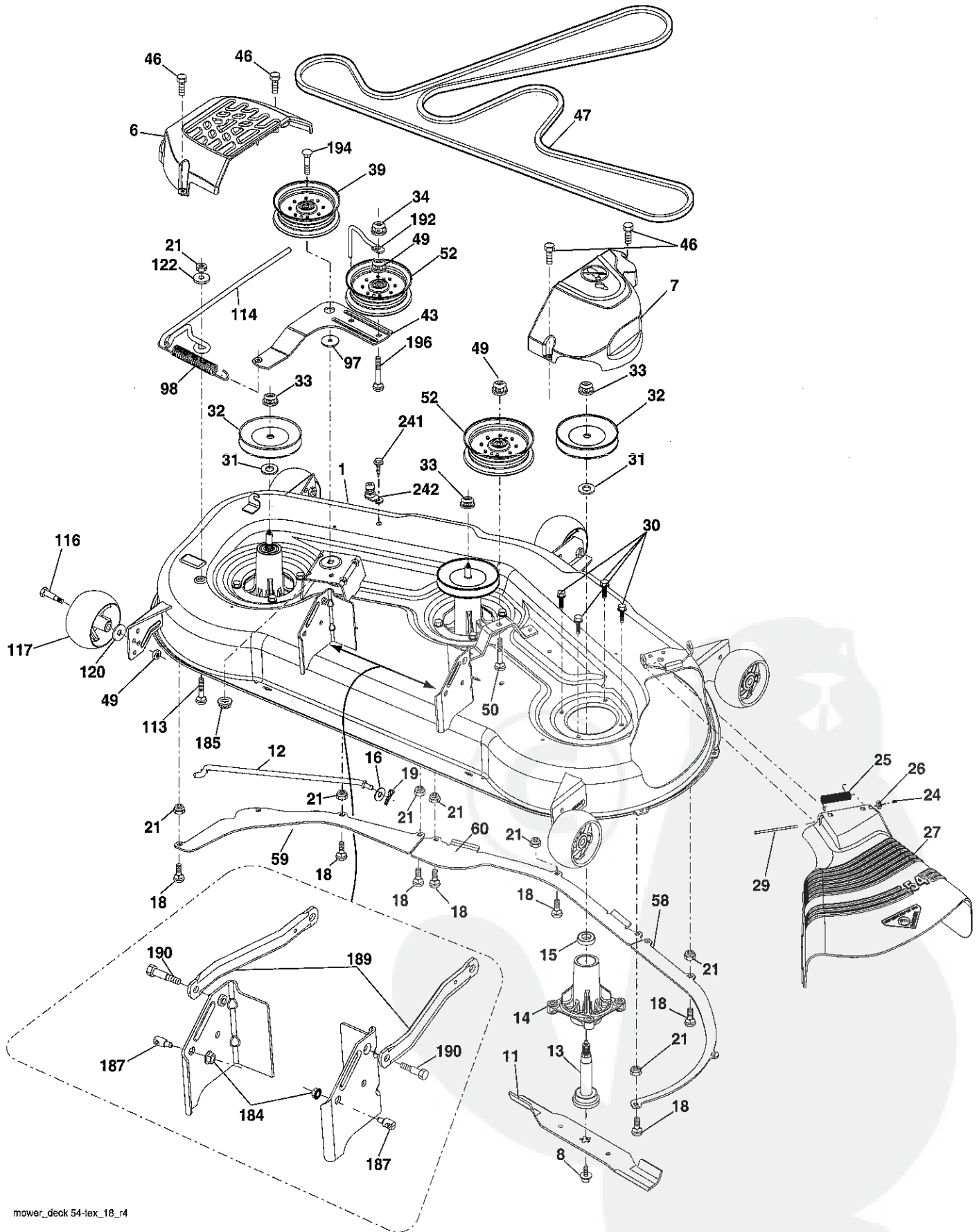
KEY NO.	PART NO.	DESCRIPTION
1	423645	Seat
2	180166	Bracket Pivot Fender
3	140675	Strap, Asm. Fender
6	STD541437	Nut, Lock w/Ins. 3/8-16 unc
7	124181X	Spring, Seat Cprsn.
8	171877	Bolt 5/16-18 unc x 3/4 w/Sems.
10	196977	Pan, Seat
21	171852	Bolt, Shoulder 5/16-18

KEY NO.	PART NO.	DESCRIPTION
37	STD541431	Nut, Lock 5/16-18 unc
40	197661	Handle Slide Seat
41	198200	Spring Latch Seat
43	74760612	Bolt 3/8-16 x 3/4
44	19133812	Washer 13/32 x 2-3/8 x 12 Ga.

**NOTE:** All component dimensions given in U.S. inches.  
1 inch = 25.4 mm

# TRACTOR- -MODEL NO. 917.253702

## MOWER



mower\_deck 54-lex\_18\_r4

# TRACTOR- -MODEL NO. 917.253702

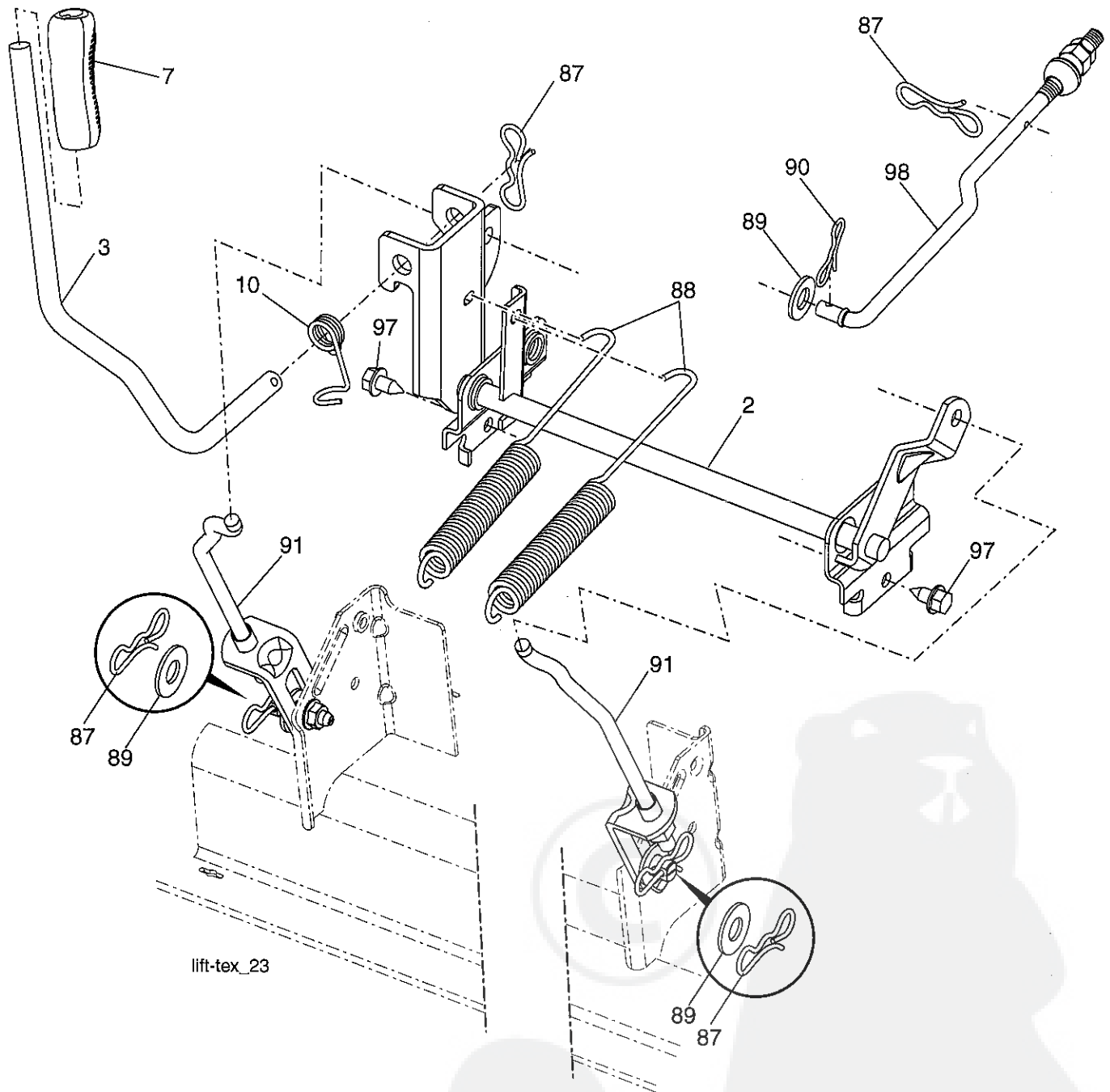
## MOWER

KEY NO.	PART NO.	DESCRIPTION	KEY NO.	PART NO.	DESCRIPTION
1	195632X615	Deck Weldment Mower	59	187344	Baffle Left
6	196066	Cover Mandrel LH	60	187607	Baffle Center
7	197181	Cover Mandrel RH	97	178515	Washer Hardened
8	193003	Bolt 7/16 Asm. Blade	98	196105	Spring Drive
11	187256	Blade Mulching	113	72110508	Bolt Rdhd. Sqnk. 5/16-18 x 3/4
12	404851	Rod Anti-Sway	114	187556	Rod Tension Relief
13	187291	Shaft Asm. w/Lower Bearing	116	193406	Bolt, Shoulder
14	187281	Housing, Mandrel	117	174873	Gauge Wheel
15	110485X	Bearing, Ball, Mandrel	120	19132012	Washer 13/32 x 1-1/4 x 12 Ga.
16	19131312	Washer 13/23 x 13/16 x 1 2 Ga.	122	187557	Bushing Tension Relief
18	72140505	Bolt RdHd. 5/16-18 unc x 5/8	184	739000500	Nut Lock Hex Flange
19	194208	Pin Cotter 5/16 Bowtie Lock	185	73900700	Nut Lock Flange 7/16-14 Gr. 5
21	73680500	Nut, Crownlock 5/16-18 unc	187	195161	Stud Fastener w/"D" Anti-Rotation
24	105304X	Cap Sleeve	189	195185	Arm Susp. Mower Rear
25	178102	Spring, Torsion	190	196539	Bolt Shoulder
26	110452X	Nut, Push	192	198468	Keeper Belt Idler
27	187257X428	Deflector Shield	194	74490736	Bolt
29	131491	Rod, Hinge	196	72140620	Bolt Rdhd 3/8-16 x 2-1/2 Gr. 5
30	173984	Screw, Thdrol. Washer Head	241	152927	Screw
31	187690	Washer, Spacer Mower Vented	242	415598	Port Washout
32	153535	Pulley, Mandrel	--	187292	Mandrel Assembly (Includes housing, shaft assembly, and bearing only - pulley/nut/washer and blade bolt/washers not included)
33	400234	Nut, Flg. Top Lock			
34	73680600	Nut Crownlock 3/8-16 unc			
39	197380	Pulley, Idler			
43	196065	Arm, Idler	--	426342	Replacement Mower, Complete
46	137729	Screw, Thdrol. 1/4-20 x 5/8			
47	196103	Belt Drive Deck			
49	73900600	Nut, Lock Flg. 3/8-16 unc			
50	72110616	Bolt Rdhd. Sqnk. 3/8-16 unc x 2			
52	197379	Pulley Idler			
58	187342	Baffle Right			

**NOTE:** All component dimensions given in U.S. inches  
1 inch = 25.4 mm

# TRACTOR- -MODEL NO. 917.253702

## MOWER LIFT



lift-tex\_23

KEY NO.	PART NO.	DESCRIPTION
2	422027	Shaft Asm., Lift
3	195231	Lever Asm., Lift RH
7	196492X428	Grip, Lever
10	196314	Spring Torsion
87	194209	Pin Cotter 7/16 Bow Tie Lock
88	410710	Spring Lift Assist
89	19191912	Washer Clear Zinc

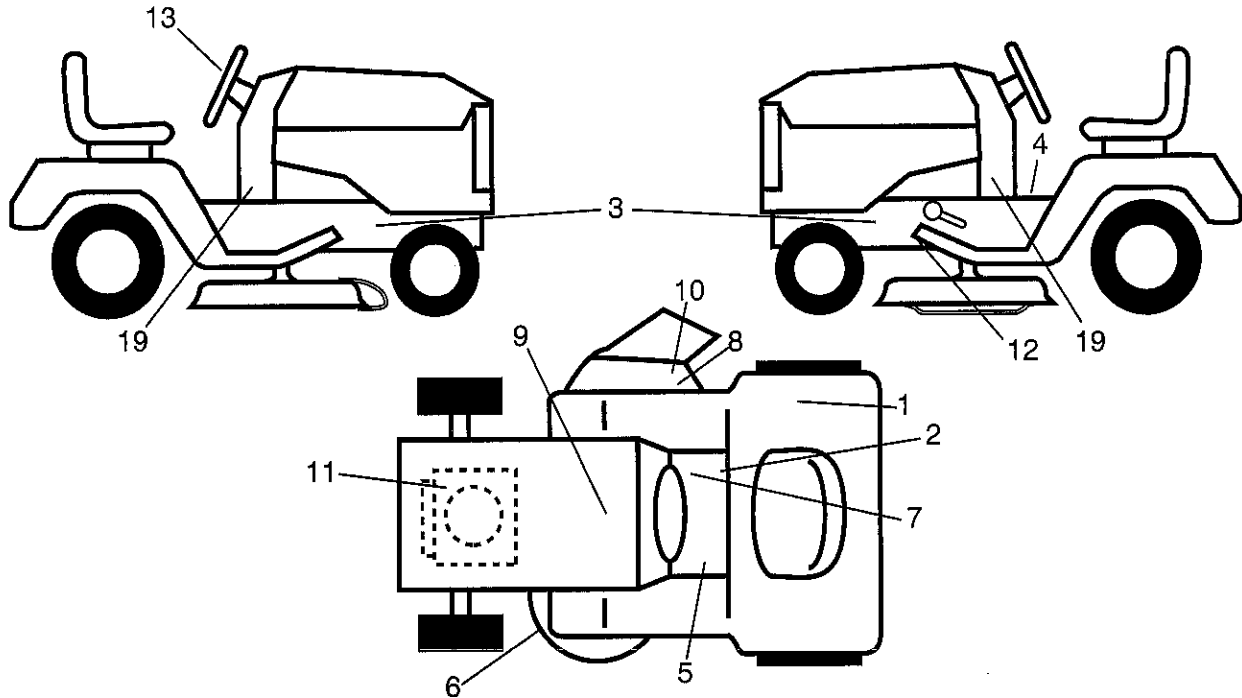
KEY NO.	PART NO.	DESCRIPTION
90	194208	Pin Cotter 5/16 Bow Tie Lock
91	403407	Link Lift Susp. Mower Rear
97	17000612	Screw 3/8-16 x .75 R.Z
98	195264	Link Lift Susp. Front Mower

**NOTE:** All component dimensions given in U.S. inches  
1 inch = 25.4 mm



# TRACTOR- -MODEL NO. 917.253702

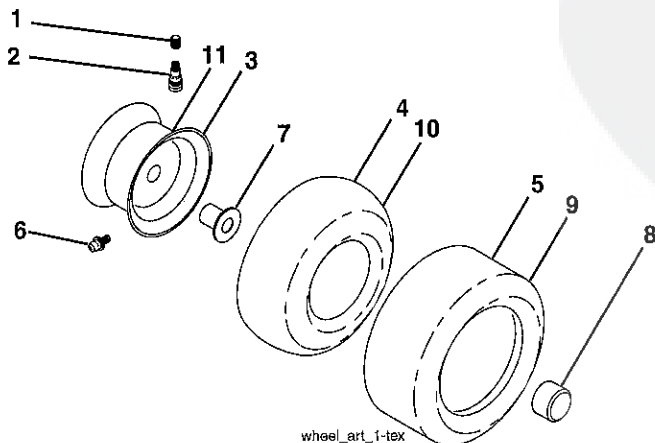
## DECALS



KEY NO.	PART NO.	DESCRIPTION
1	180433	Decal, Fender 100 DB/CE
2	178302	Decal, Operator Crusie Sym.
3	159736	Decal, Chassis Hot Muffler
4	400389	Decal, Oper./Wrng.
5	159737	Decal, Brake/Clutch Sym.
6	198785	Decal, B-Belt Shcematic
7	140837	Decal, Saddle Brake Parking
8	196357	Decal, Deflector Wrn. Cutfinger Sym.
9	145005	Decal, Battery Dan./Poi.
10	182166	Decal, Cutfinger CE
11	196841	Decal, Warning Engine Sym.
12	421534	Decal, Mower V-Belt Schematic

KEY NO.	PART NO.	DESCRIPTION
13	422885	Decal, Steering Wheel
19	426193	Decal, Dash Lower
--	162598	Decal Drawbar Load Limit
--	166960	Decal, Bypass
--	193226X428	Pad, Footrest, LH
--	400981X428	Pad, Footrest, RH
--	442836	Manual, Operator's (Euro)
--	442837	Manual, Operator's (Scand)
--	442838	Manual, Operator's (E-Bloc)
--	442839	Manual, Operator's (Baltic)
--	442840	Manual, Parts

## WHEELS & TIRES



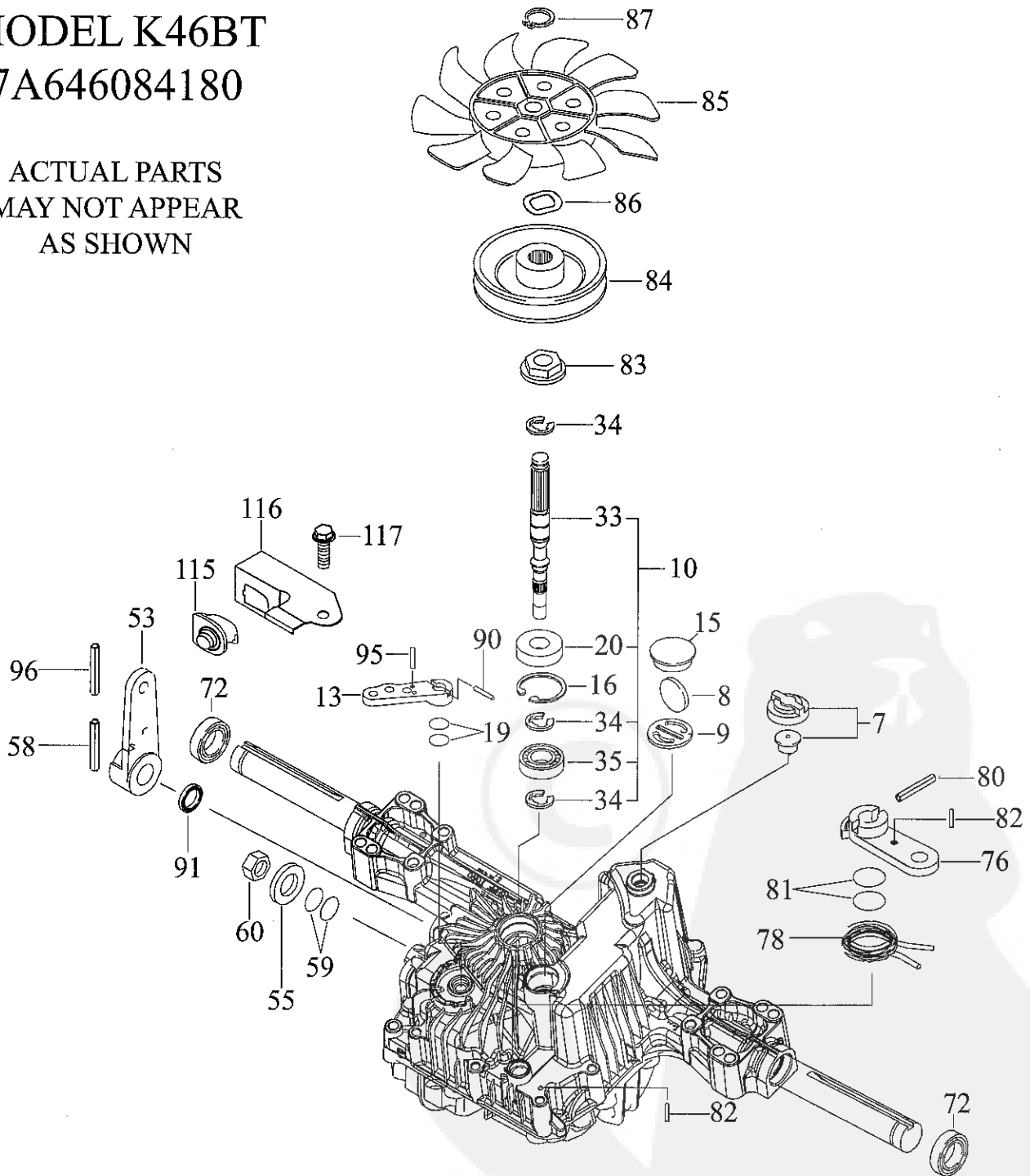
KEY NO.	PART NO.	DESCRIPTION
1	59192	Cap, Valve, Tire
2	65139	Stem, Valve
3	106732X613	Rim Assembly, Front
4	59904	Tube, Front
5	106222X	Tire, Front
6	278H	Fitting, Grease
7	9040H	Bearing, Flange
8	104757X428	Cap, Axle (Front Wheel Only)
9	122082X	Tire, Rear
10	7152J	Tube, Rear
11	106108X613	Rim Assembly, Rear
--	144334	Sealant, Tire (10 oz. Tube)

**NOTE:** All component dimensions given in U.S. inches  
1 inch = 25.4 mm

TRACTOR- -MODEL NO. 917.253702  
TUFFTORQ TRANSAXLE - - MODEL NUMBER K46BT

MODEL K46BT  
7A646084180

ACTUAL PARTS  
MAY NOT APPEAR  
AS SHOWN



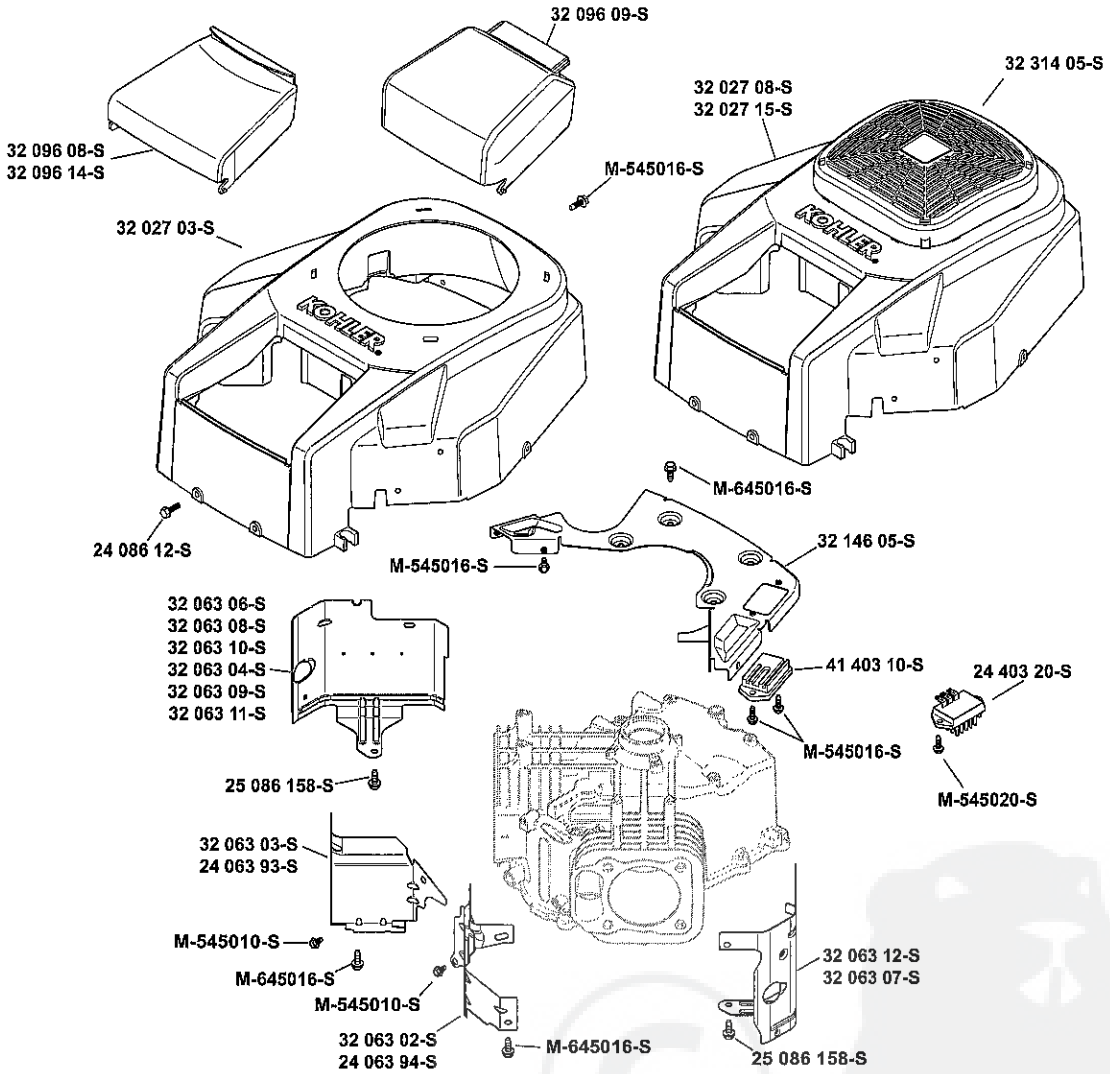
**TRACTOR- -MODEL NO. 917.253702**  
**TUFFTORQ TRANSAXLE - - MODEL NUMBER K46BT**

<b>KEY NO.</b>	<b>PART NO.</b>	<b>DESCRIPTION</b>
7	414395	Vent Valve 15
8	414396	Magnet
9	414397	Magnet Holder
10	415923	Pump Shaft/Bearing Kit
13	414398	Bypass Lever
15	414399	Sealing Cap 30
16	414400	Snap Ring C 35
19	414401	O-Ring 1A P10A
20	414402	Seal TC 153507
33	414403	Pump Shaft (Standard)
34	414404	E-Ring 15
35	414405	Bearing 6202C3
53	414431	Control Lever F
55	415924	Washer 12
58	415925	Roll Pin 6 * 40
59	415926	O-Ring 1A P14
60	415927	Nut 12
72	414407	Seal 19 * 32 * 8
76	414408	Brake Lever
78	414409	Brake Return Spring
80	414410	Spring Pin 5 * 32
81	414411	O-Ring 1A P12
82	414412	Spring Pin 4 * 16
83	414413	Spine Collar
84	414414	Pulley L
85	414415	Fan, Black
86	414416	WAVE WASHER
87	414417	Snap Ring
90	414418	Spring Pin 3.0A * 20
91	414419	Oil Seal 16 * 22 * .03
95	414850	Spring Pin 3.0A*16
96	414420	Roll Pin 3.5 * 40
115	415928	Switch 6440-11 DELTA
116	415929	Switch Bracket
117	415930	Tapping Screw 8 * 20

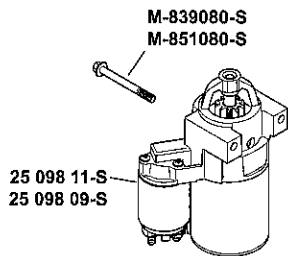
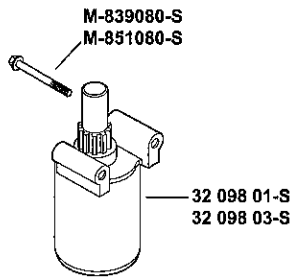
**NOTE:** All component dimensions given in U.S. inches  
1 inch = 25.4 mm

**TRACTOR- -MODEL NO. 917.253702**  
**KOHLER ENGINE - - MODEL NUMBER SV735, TYPE NUMBER 3020**

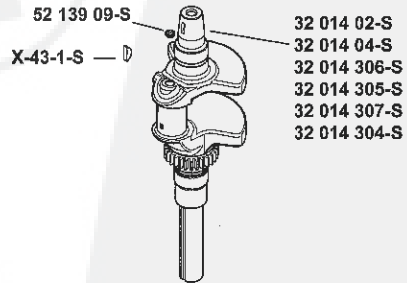
**LE LOGEMENT DE SOUFFLERIE Y CONFOND**



**SYSTEME COMMENÇANT**

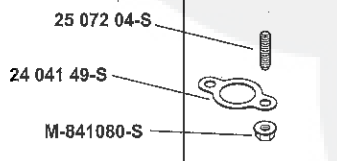


**VILEBREQUIN**

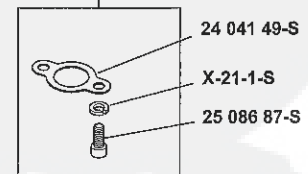


**ÉCHAPPEMENT**

AVANT S/N 3810100013

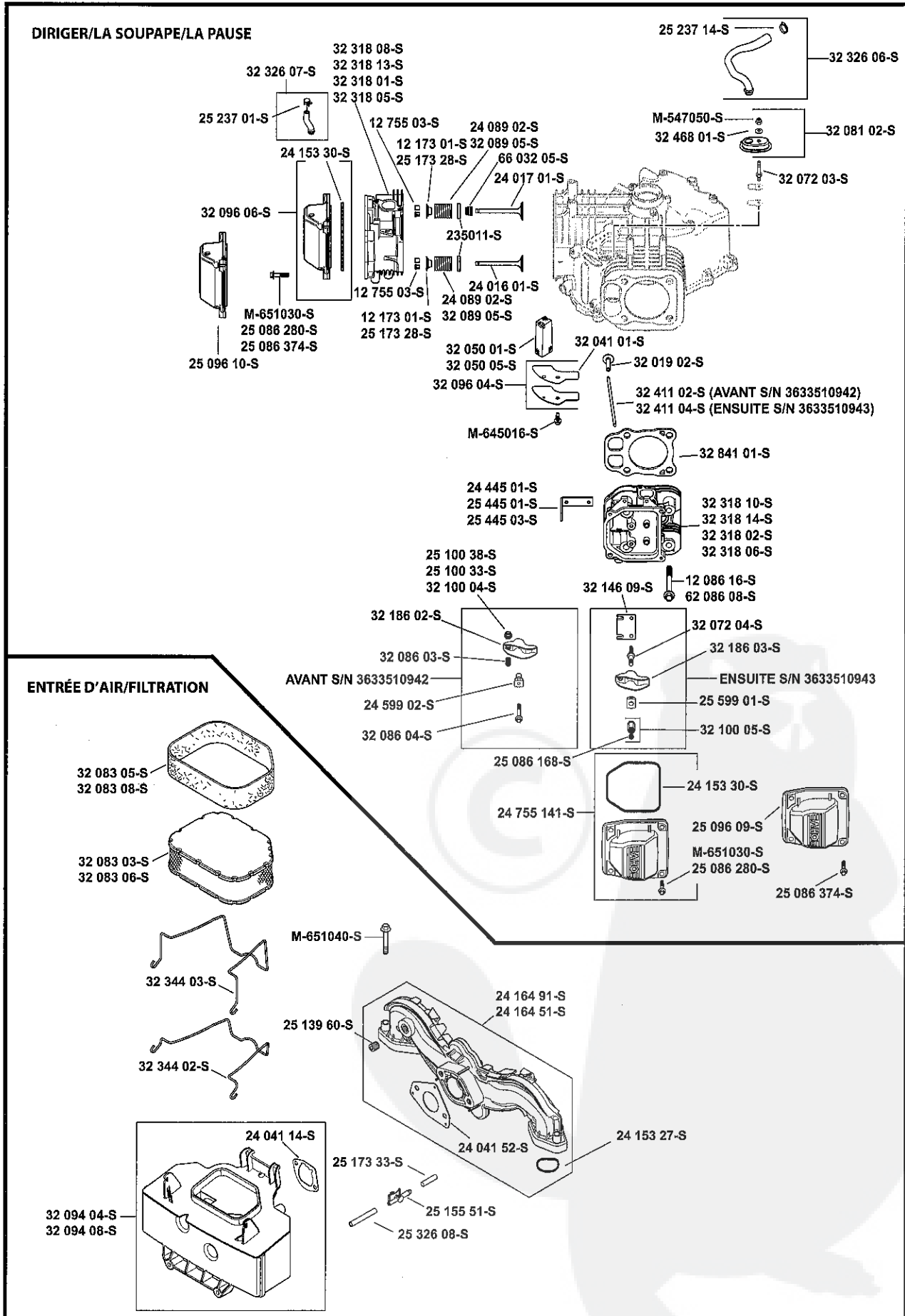


ENSUITE S/N 3810100003



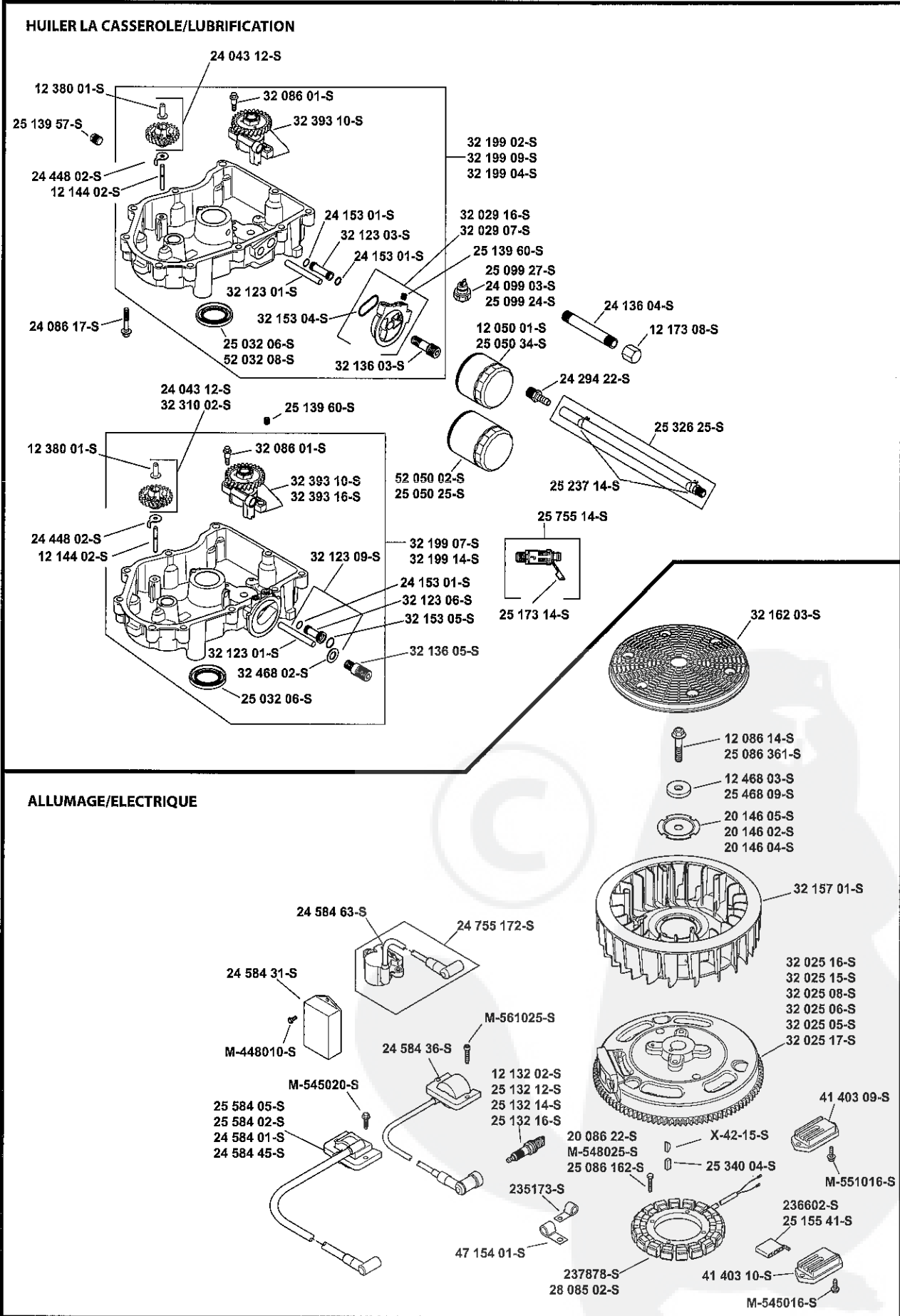
# TRACTOR- -MODEL NO. 917.253702

## KOHLER ENGINE - - MODEL NUMBER SV735, TYPE NUMBER 3020



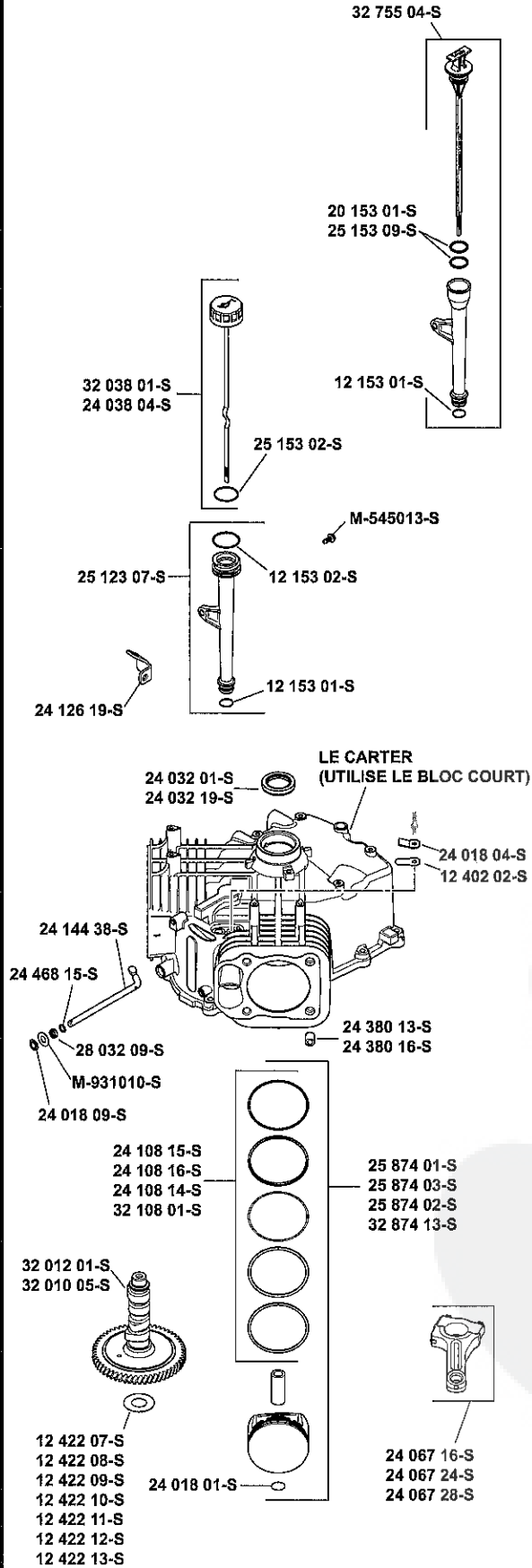
# TRACTOR- -MODEL NO. 917.253702

## KOHLER ENGINE - - MODEL NUMBER SV735, TYPE NUMBER 3020

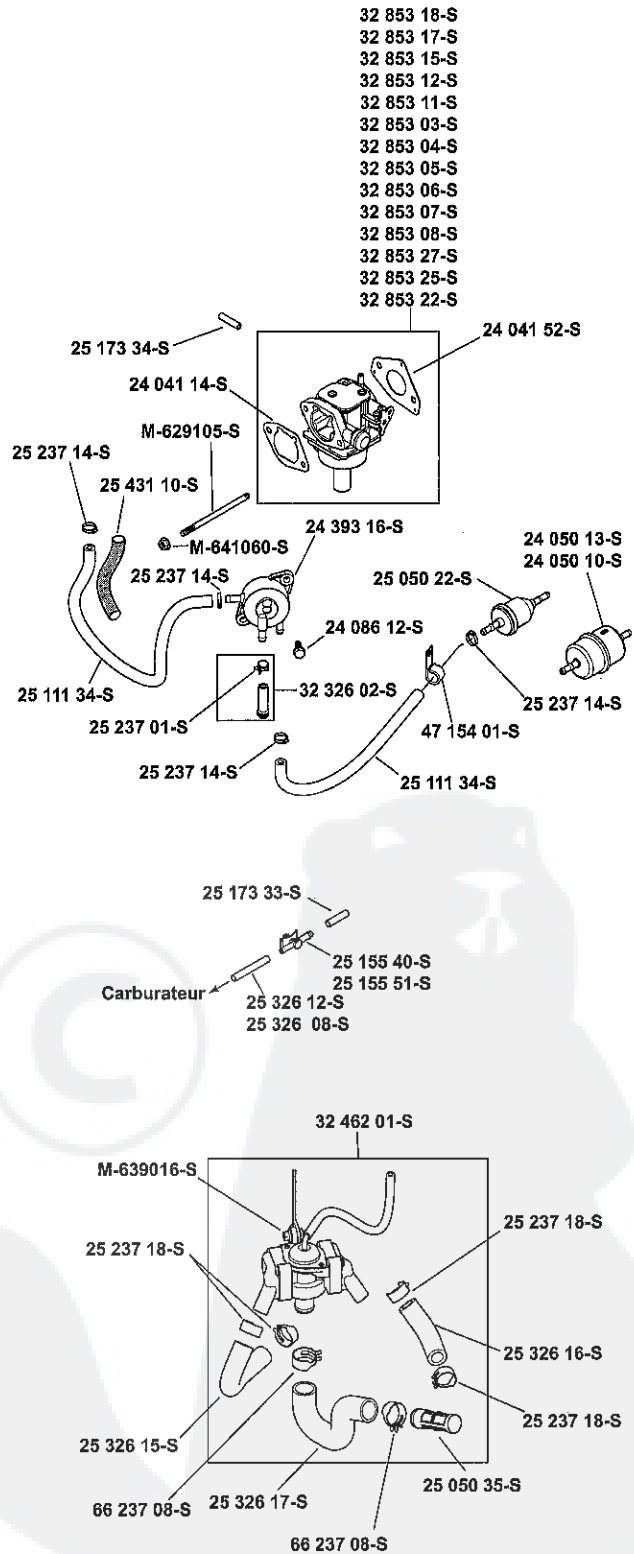


**TRACTOR- -MODEL NO. 917.253702**  
**KOHLER ENGINE - - MODEL NUMBER SV735, TYPE NUMBER 3020**

**CARTER DE VILEBREQUIN**



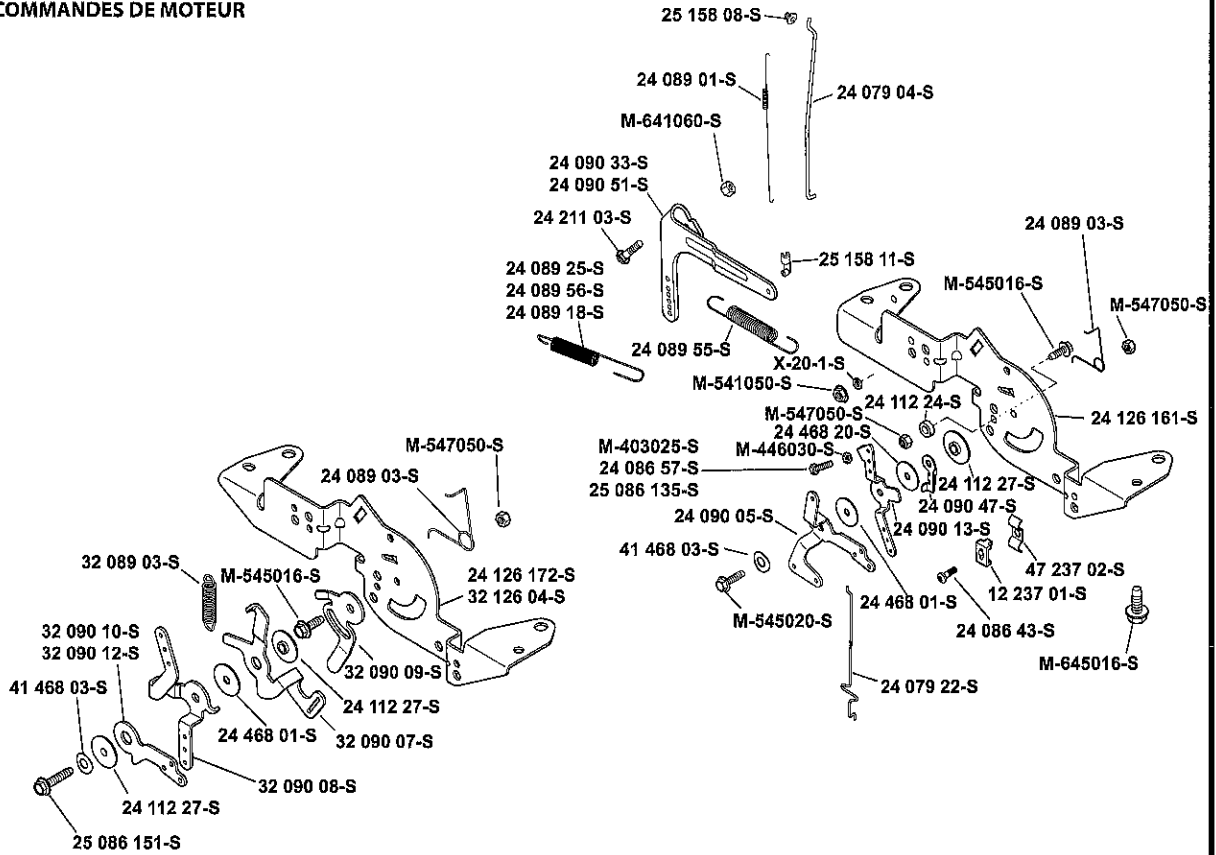
**ALIMENTER LE SYSTEME**



# TRACTOR- -MODEL NO. 917.253702

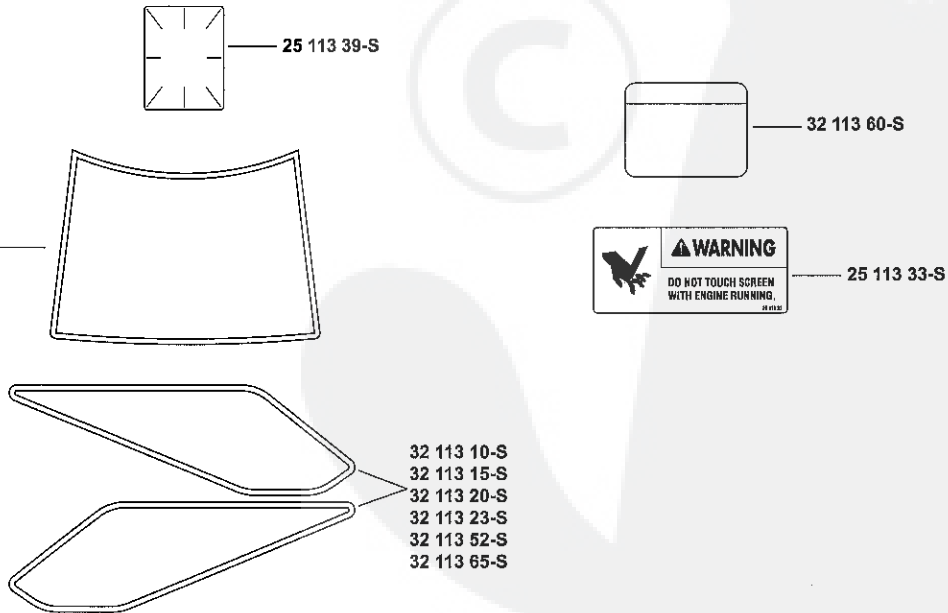
## KOHLER ENGINE - - MODEL NUMBER SV735, TYPE NUMBER 3020

### COMMANDES DE MOTEUR



### DÉCALCOMANIES

- 32 113 06-S
- 32 113 07-S
- 32 113 08-S
- 32 113 09-S
- 32 113 12-S
- 32 113 13-S
- 32 113 14-S
- 32 113 16-S
- 32 113 17-S
- 32 113 18-S
- 32 113 19-S
- 32 113 21-S
- 32 113 22-S
- 32 113 24-S
- 32 113 25-S
- 32 113 26-S
- 32 113 27-S
- 32 113 28-S
- 32 113 29-S
- 32 113 35-S
- 32 113 36-S
- 32 113 37-S
- 32 113 38-S
- 32 113 39-S
- 32 113 42-S
- 32 113 43-S
- 32 113 44-S
- 32 113 46-S
- 32 113 48-S
- 32 113 49-S
- 32 113 50-S
- 32 113 54-S
- 32 113 57-S
- 32 113 58-S
- 32 113 64-S
- 32 113 61-S
- 32 113 62-S
- 32 113 63-S



Le dessin-modèle est représentatif.  
Les étiquettes réelles peuvent différer selon le nombre de modèle et de spécifications.



# TRACTOR- -MODEL NO. 917.253702

## KOHLER ENGINE - - MODEL NUMBER SV735, TYPE NUMBER 3020

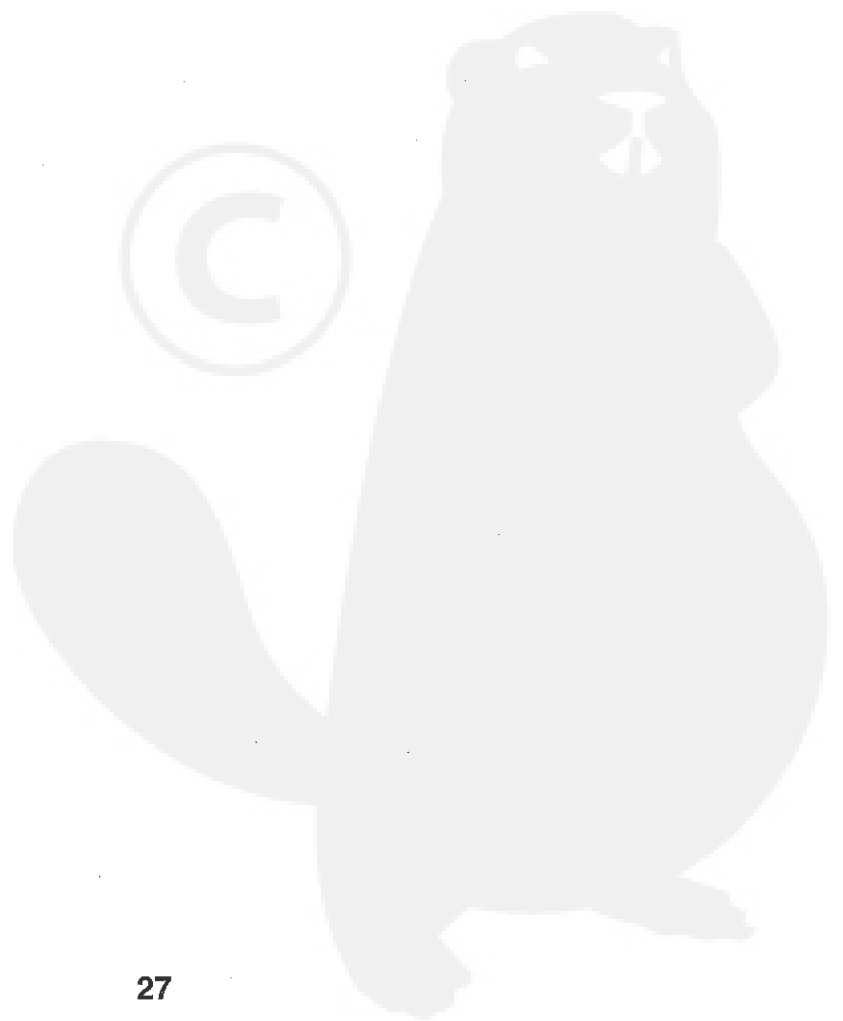
PART NO.	DESCRIPTION	QTY	PART NO.	DESCRIPTION	QTY
<b>AIR INTAKE/FILTRATION 10-32-4</b>			<b>ENGINE CONTROLS 9-32-4</b>		
24 041 14-S	GASKET, AIR CLEANER BASE	1	24 211 03-S	BOLT, RD HD SQ NECK M6X1.0X25	1
32 344 02-S	LATCH, AIR CLEANER ELEMENT	1	24 090 51-S	LEVER, GOVERNOR	1
32 083 03-S	ELEMENT, AIR FILTER	1	M-641060-S	NUT, FLG M6X1.0	1
24 164 91-S	KIT, INTAKE MANIFOLD	1	24 089 01-S	SPRING, LINKAGE	1
M-651040-S	SCREW, FLG M6X1.0X40	4	25 158 08-S	BUSHING, LINKAGE RETAINING	1
25 139 60-S	PLUG, CTSK PIPE 1/8"	1	24 079 04-S	LINKAGE, THROTTLE	1
24 041 52-S	GASKET, CARBURETOR	1	25 158 11-S	BUSHING, THROTTLE LINKAGE	1
24 153 27-S	O-RING, INTAKE PORT	2	M-545016-S	SCREW, FLG THD FRM M5X0.8X16	1
32 094 08-S	BASE, AIR CLEANER	1	M-547050-S	NUT, LOCK M5X.8	2
25 326 08-S	HOSE, EVAPORATIVE, 20"	1	24 089 03-S	SPRING, CHOKE RETURN	1
25 173 33-S	CAP, MASKING	1	32 126 04-S	BRACKET, CONTROL	1
25 155 51-S	CONNECTOR, EVAPORATIVE	1	M-645016-S	SCREW, FLG THD FRM M6X1.0X16	4
<b>BLOWER HOUSING &amp; BAFFLES 6-32-1</b>			12 237 01-S	CLAMP, CABLE	2
32 027 03-S	KIT, HOUSING BLOWER (41 037 10-S)	1	24 086 43-S	SCREW, LBD THD FRM M5x0.8x16	2
32 096 08-S	COVER, AIR CLEANER	1	24 079 22-S	LINKAGE, CHOKE	1
M-545016-S	SCREW, FLG THD FRM M5X0.8X16	6	24 112 27-S	SPACER, CONTROL ASSEMBLY	1
M-645016-S	SCREW, FLG THD FRM M6X1.0X16	8	24 090 47-S	LEVER, THROTTLE ACTUATOR	1
32 146 05-S	KIT, BACKING PLATE	1	24 090 13-S	LEVER, THROTTLE CONTROL	1
32 063 12-S	BAFFLE, CYL BARREL - #2 SIDE	1	24 468 01-S	WASHER, FLAT 5.5 MM	1
24 063 94-S	BAFFLE, VALLEY #2 CYLINDER	1	M-545020-S	SCREW, FLG THD FRM M5X.8X20	1
M-545010-S	SCREW, FLG THD FRM M5X.8X10	2	41 468 03-S	WASHER, SPRING 1/4"	1
24 063 93-S	BAFFLE, VALLEY #1 CYLINDER	1	24 090 05-S	LEVER, CHOKE	1
32 063 10-S	BAFFLE, CYL BARREL - #1 SIDE	1	25 086 135-S	SCREW, HEX HD CAP (W/LOCTITE)	1
24 086 12-S	SCREW, TAP M6X1.7X18	2	24 468 20-S	WASHER, FLAT 5 MM	1
25 086 158-S	SCREW, FLNG THD FRM M6X1.0X10	2	24 112 24-S	SPACER	1
41 403 10-S	REGULATOR/RECTIFIER	1	24 089 56-S	SPRING, GOVERNOR	1
41 037 10-S	NAMEPLATE, SERVICE NOT ILLUSTRATED	1	24 089 55-S	SPRING, GOVERNED IDLE	1
<b>CRANKSHAFT 1-32-6</b>			<b>CRANKCASE GROUP 2-32-5</b>		
52 139 09-S	PLUG, CUP	1	12 402 02-S	REED, BREATHER	1
32 014 305-S	CRANKSHAFT	1	24 018 04-S	RETAINER, BREATHER REED	1
X-43-1-S	KEY, 1/8" X 1/2"	1	24 380 16-S	PIN, LOCATING	6
<b>DECALS 12-32-21</b>			24 032 19-S	SEAL, OIL (HELIX LIP)	1
25 113 39-S	DECAL, CLEAR LAMINATE	1	12 422 07-S	SHIM, CAMSHAFT (WHITE .028")	1
32 113 23-S	DECAL, SEARS 2PC WNG ST	1	12 422 08-S	SHIM, CAMSHAFT (BLUE .03")	1
32 113 27-S	DECAL, 26 HP	1	12 422 09-S	SHIM, CAMSHAFT (RED .032")	1
<b>EXHAUST 11-32-2</b>			12 422 10-S	SHIM, CAMSHAFT (YELLOW .034")	1
24 041 49-S	GASKET, EXHAUST	2	12 422 11-S	SHIM, CAMSHAFT (GREEN .036")	1
25 454 05-S	TIE NOT ILLUSTRATED	1	12 422 12-S	SHIM, CAMSHAFT (GRAY .038")	1
<b>FUEL SYSTEM GROUP 8-32-35</b>			12 422 13-S	SHIM, CAMSHAFT (BLACK .04")	1
32 853 25-S	KIT, CARBURETOR	1	24 018 01-S	RETAINER, PISTON PIN	1
M-629105-S	STUD, M6X1.0X106 USE 25 072 25-S	1	24 067 28-S	ROD, ASS. CONNECTING (STD)	1
M-641060-S	NUT, FLG M6X1.0	2	24 018 09-S	RETAINER, RING	1
47 154 01-S	CLIP, CABLE	1	24 468 15-S	WASHER, FLAT 11/32"	1
24 086 12-S	SCREW, TAP M6X1.7X18	2	28 032 09-S	SEAL, GOVERNOR CROSS SHAFT	1
24 393 16-S	PUMP, FUEL	1	24 144 38-S	SHAFT, GOVERNOR CROSS	1
25 111 34-S	LINE, FUEL (24"-CUT TO LENGTH) USE 25 111 72-S	1	24 126 19-S	BRACKET, OIL FILL TUBE	1
25 237 14-S	CLAMP, HOSE 1/2" (USE 25 237 31-S)	2	M-545013-S	SCREW, FLG THD FRM M5X0.8X13	1
24 050 13-S	FILTER, FUEL	1	M-931010-S	WASHER, FLAT 9 MM	1
24 041 14-S	GASKET, AIR CLEANER BASE	1	32 755 04-S	KIT, DIPSTICK AND TUBE	1
24 041 52-S	GASKET, CARBURETOR	1	25 153 09-S	O-RING	2
			12 153 01-S	O-RING, LOWER OIL FILL TUBE	1
			32 010 05-S	CAMSHAFT ASSEMBLY	1
			32 874 13-S	KIT, PISTON W/RING (STD)	1
			32 108 01-S	RING SET, PISTON (STD)	1

# TRACTOR- -MODEL NO. 917.253702

**KOHLER ENGINE - - MODEL NUMBER SV735, TYPE NUMBER 3020**

PART NO.	DESCRIPTION	QTY	PART NO.	DESCRIPTION	QTY
<b>HEAD/VALVE/BREATHER 4-32-4</b>			<b>LUBRICATION GROUP 3-32-24</b>		
12 755 03-S	KIT, RETAINER	4	24 086 17-S	SCREW, FLG M8X1.25X45	10
235011-S	RETAINER, SPRING	4	25 032 06-S	SEAL, OIL	1
66 032 05-S	SEAL, VALVE STEM	2	25 139 57-S	PLUG, SQ HD PIPE 3/8"	2
24 016 01-S	VALVE, EXHAUST (STD)	2	32 199 14-S	OIL PAN ASSEMBLY	1
24 017 01-S	VALVE, INTAKE (STD)	2	12 144 02-S	SHAFT, GOVERNOR GEAR	1
32 326 06-S	KIT, BREATHER HOSE (INCLUDES 25 237 14-S)	1	24 448 02-S	TAB, LOCKING	1
25 237 14-S	CLAMP, HOSE 1/2" (USE 25 237 31-S)	5	32 310 02-S	KIT, GOVERNOR GEAR	1
32 081 02-S	KIT, BREATHER HOUSING (INCLUDES M-547050-S, 32 468 01-S)	1	24 153 01-S	O-RING, OIL PICK-UP	1
M-547050-S	NUT, LOCK M5X.8	1	32 086 01-S	SCREW, SHD THD FRM M6X.0X6.5	2
32 468 01-S	WASHER, SEALING	1	32 393 16-S	PUMP, OIL ASSEMBLY	1
32 072 03-S	STUD, BREATHER COVER	1	52 050 02-S	FILTER, OIL	1
32 019 02-S	TAPPET	4	32 123 01-S	TUBE, OIL FEED - FILTER TO PAN	1
32 841 01-S	KIT, CYLINDER HEAD GASKET	2	32 123 09-S	OIL FEED TUBE ASSEMBLY	1
62 086 08-S	SCREW, FLG M10X1.5X90	8	32 136 05-S	NIPPLE, OIL FILTER	1
M-645016-S	SCREW, FLG THD FRM M6X1.0X16	1	25 139 60-S	PLUG, CTSK PIPE 1/8"	1
32 096 04-S	COVER, BREATHER (INCLUDES 32 041 01-S)	1	32 468 02-S	WASHER, FLAT	1
32 318 13-S	KIT, #1 CYLINDER HEAD ASSEMBLY (INCLUDES EXHAUST MOUNTING HARDWARE)	1	12 380 01-S	PIN, GOVERNOR REGULATING	1
32 318 14-S	KIT, #2 CYLINDER HEAD ASSEMBLY (INCLUDES EXHAUST MOUNTING HARDWARE)	1	32 123 06-S	TUBE, OIL FEED	1
32 146 09-S	PLATE, GUIDE	2	32 153 05-S	O-RING	1
32 072 04-S	STUD, ROCKER (AFTER S/N 3810100003)	4	<b>STARTING SYSTEM 7-32-4</b>		
32 186 03-S	ARM, ROCKER	4	M-851080-S	SCREW, FLG M8X1.25X80	2
32 100 05-S	HEX NUT ASSEMBLY (INCLUDES 25 086 168-S) (AFTER S/N 3633510943)	4	32 098 03-S	STARTER ASSEMBLY	1
25 599 01-S	PIVOT, ROCKER ARM (AFTER S/N 3633510943)	4	12 243 04-S	BRUSH ASSY (FASCO/V.WEISE/W&G) NOT ILLUSTRATED	1
32 755 03-S	KIT, CYLINDER HEAD HARDWARE NOT ILLUSTRATED (Services 1 Head. Quantities listed are for both heads)(12 755 03-S, 12 173 01-S, 24 089 02-S, 235011-S, 66 032 05-S, 24 017 01-S, 24 016 01-S, 32 146 09-S, 32 072 04-S, 32 186 03-S, 32 100 05-S, 25 086 168-S, 25 599 01-S, 32 411 04-S)	4	12 755 39-S	KIT, DR W/GEAR (FASCO/V.WEISE/W&G) NOT ILLUSTRATED	1
32 326 07-S	KIT, FUEL PUMP HOSE	1	32 211 01-S	BOLT, THRU NOT ILLUSTRATED	1
32 050 05-S	FILTER, BREATHER	1	32 227 01-S	END CAP (FASCO/V.WEISE/W&G)	1
32 089 05-S	SPRING, VALVE	4	<b>IGNITION/CHARGING GROUP 5-32-53</b>		
25 086 374-S	SCREW, PAN HEAD	8	25 132 14-S	SPARK PLUG, RFI	2
25 237 01-S	CLAMP, HOSE	1	237878-S	KIT, 15 / 20 AMP STATOR	1
25 096 10-S	COVER, ROCKER STAMPED STEEL	1	M-548025-S	SCREW, THD FRM M5X0.8X25	2
25 096 09-S	COVER, ROCKER STAMPED STEEL	1	25 086 361-S	SCREW, HEX FLANGE	1
32 050 05-S	FILTER, BREATHER	1	25 340 04-S	KEY, SQUARE	1
25 173 28-S	CAP, VALVE SPRING	2	25 468 09-S	WASHER, FLAT	1
25 445 03-S	STRAP, LIFT	1	32 025 15-S	FLYWHEEL ASSEMBLY (SV735/740) 20 146 05-S	1
			32 157 01-S	PLATE, FAN MOUNTING	1
			32 162 03-S	FAN	1
			24 584 63-S	SCREEN, GRASS	1
			M-545020-S	MODULE, SPARK ADV (DSAI) ASSY	2
			25 155 41-S	SCREW, FLG THD FRM M5X.8X20	4
			25 454 05-S	CONNECTOR	1
			32 176 17-S	TIE NOT ILLUSTRATED	1
			47 154 01-S	KIT, HARNESS, WIRING NOT ILLUSTRATED	1
				CLIP, CABLE	1

**NOTE:** All component dimensions given in U.S. inches.  
1 inch = 25.4 mm



### LIMITED WARRANTY ON CRAFTSMAN RIDING EQUIPMENT

For two (2) years from the date of purchase, if this Craftsman Riding Equipment is maintained, lubricated and tuned up according to the instructions in the owner's manual, Sears will repair or replace free of charge any parts that are found to be defective in material or workmanship according to the guidelines of coverage listed below. Sears will also provide free labor for these applicable warranted parts for the two full years. During the first 30 days of purchase, there will be no charges to service the product at your home for issues covered by this warranty. (See exclusions below). For your convenience, IN HOME warranty service will still be available after the first 30 days of purchase, but a trip charge will apply. This charge will be waived if the Craftsman product is dropped off at an authorized Sears location. For the nearest authorized Sears location, please call 1-800-4-MY-HOME®. This warranty applies only while this product is within the United States.

This Warranty does not cover:

- Expendable items which become worn during normal use, including but not limited to blades, spark plugs, air cleaners, belts, and oil filters.
- Standard Maintenance Servicing, oil changes, or tune-ups
- Tire replacement or repair caused by punctures from outside objects, such as nails, thorns, stumps, or glass.
- Repairs necessary because of operator abuse, including but not limited to, damage caused by towing objects beyond the capability of the riding equipment, impacting objects that bend the frame or crankshaft, or over-speeding the engine.
- Repairs necessary because of operator negligence, including but not limited to, electrical and mechanical damage caused by improper storage, failure to use the proper grade and amount of engine oil, failure to keep the deck clear of flammable debris, or failure to maintain the equipment according to the instructions contained in the owner's manual.
- Engine (fuel system) cleaning or repairs caused by fuel determined to be contaminated or oxidized (stale). In general, fuel should be used within 30 days of its purchase date.
- Normal deterioration and wear of the exterior finishes, or product label replacement.
- Riding equipment used for commercial or rental purposes.

### LIMITED WARRANTY ON BATTERY

For ninety (90) days from date of purchase, if any battery included with this riding equipment proves defective in material or workmanship and our testing determines the battery will not hold a charge, Sears will replace the battery at no charge. During the first 30 days of purchase, there will be no charges to replace the battery at your HOME. After the first 30 days, for your convenience, IN-HOME warranty service will still be available but a trip charge will apply. This charge will be waived if the Craftsman product is dropped off at an authorized Sears location. For the nearest authorized Sears location, please call 1-800-4-MY-HOME®.

This battery warranty applies only while this product is within the United States.

This warranty gives you specific legal rights, and you may also have other rights, which vary, from state to state.

Sears, Roebuck and Co., Dept. 817WA, Hoffman Estates, IL 60179



**CRAFTSMAN®**