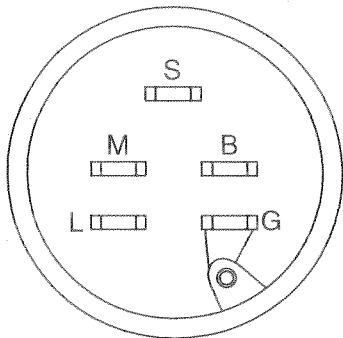
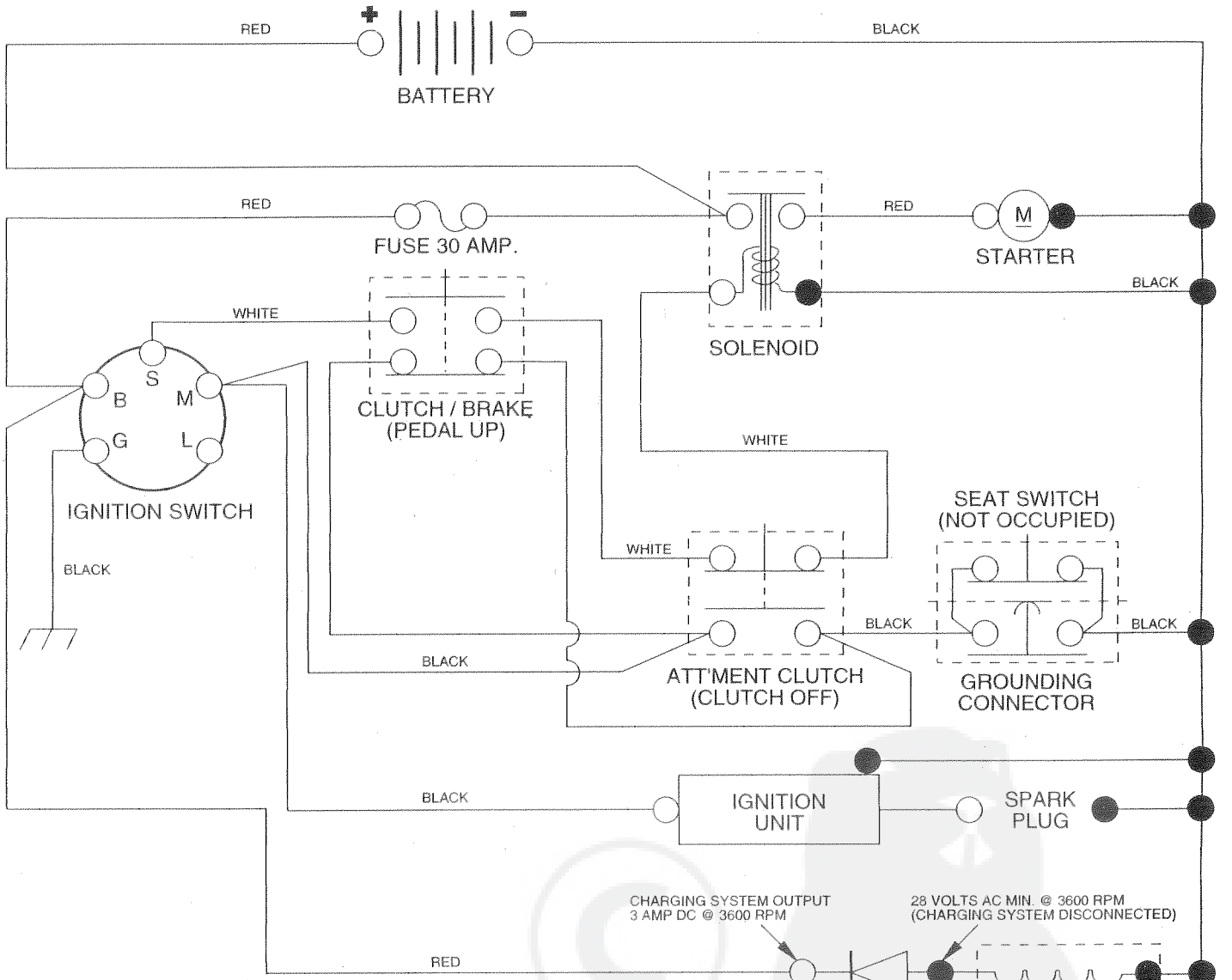


TRACTOR - - MODEL NUMBER 917.258450

SCHEMATIC



IGNITION SWITCH

POSITION	CIRCUIT
OFF	M + G
ON	B + L
START	B + S + L

NOTE
 YOUR TRACTOR IS EQUIPPED WITH A SPECIAL ALTERNATOR SYSTEM. THE LIGHTS ARE NOT CONNECTED TO THE BATTERY, BUT HAVE THEIR OWN ELECTRICAL SOURCE. BECAUSE OF THIS, THE BRIGHTNESS OF THE LIGHTS WILL CHANGE WITH ENGINE SPEED. AT IDLE THE LIGHTS WILL DIM. AS THE ENGINE IS SPEEDED UP, THE LIGHTS WILL BECOME THEIR BRIGHTEST.

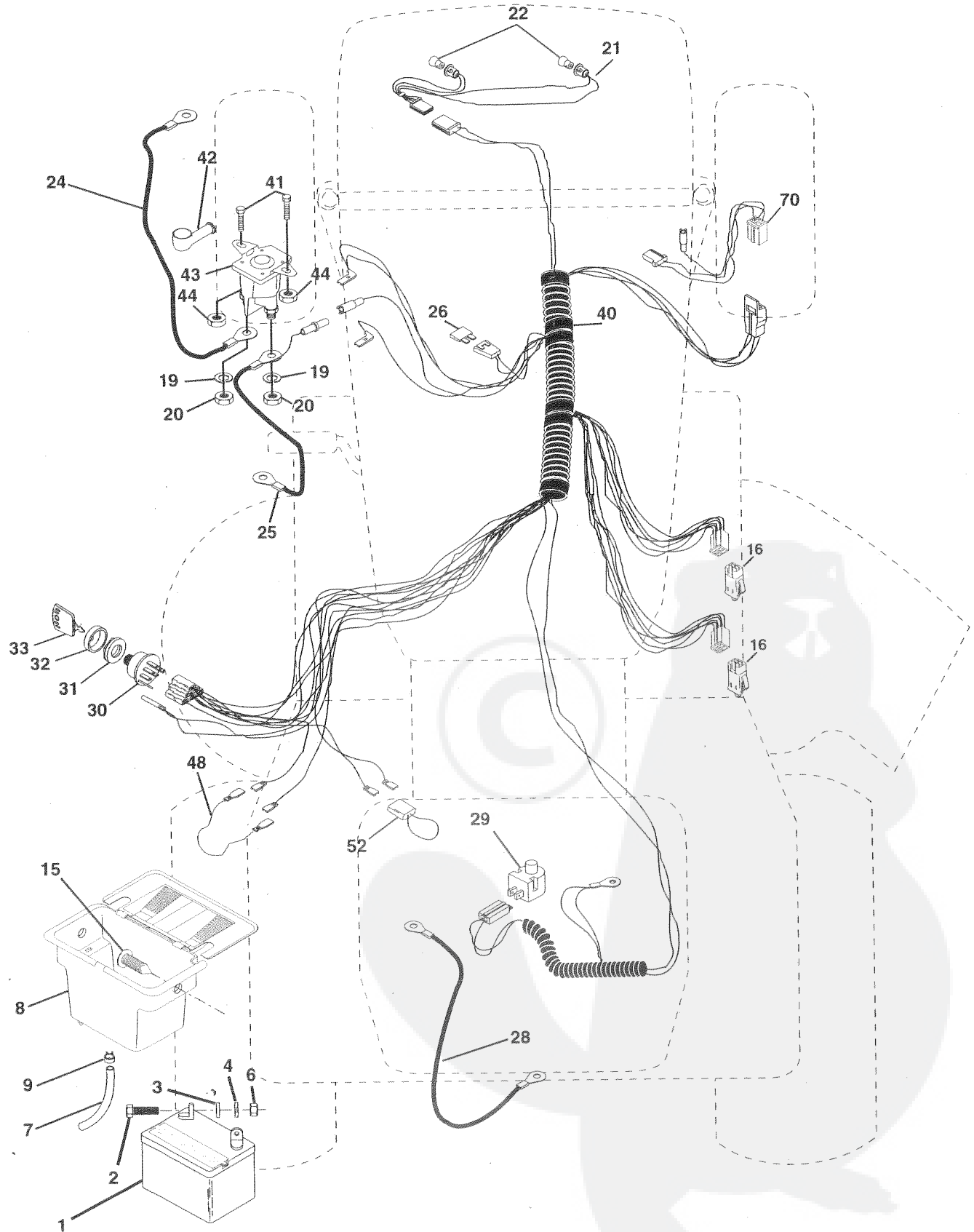
WIRING INSULATED CLIPS
NOTE: IF WIRING INSULATED CLIPS WERE REMOVED FOR SERVICING OF UNIT, THEY SHOULD BE REPLACED TO PROPERLY SECURE YOUR WIRING.



REPAIR PARTS

TRACTOR - - MODEL NUMBER 917.258450

ELECTRICAL



REPAIR PARTS

TRACTOR - - MODEL NUMBER 917.258450

ELECTRICAL

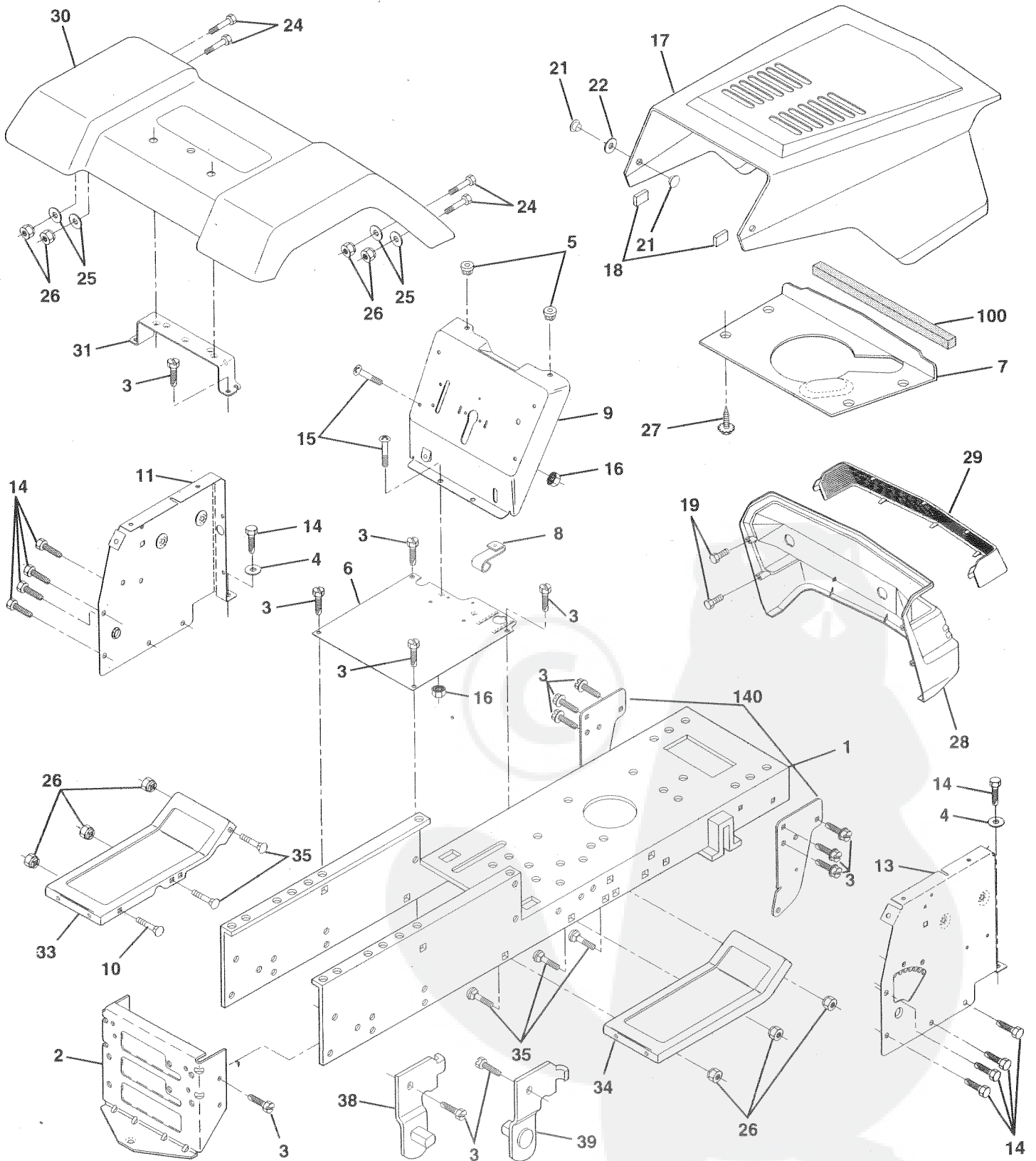
KEY NO.	PART NO.	DESCRIPTION
1	146139	Battery 12 Volt 25 AMP
2	74760412	Bolt Hex Hd 1/4-20unc X 3/4
3	STD551025	Washer 9/32 X 5/8 X 16 Ga
4	STD551125	Washer Lock Hvy Helical 1/4
6	STD541025	Nut Fin Hex 1/4-20 Unc
7	109238X	Tube Plastic 12"
8	146417	Case Battery Mech Hinge
9	109596X	Clamp Hose Olive
15	147688	Fastener Snap- in
16	153664	Switch Interlock Push-In
19	STD551125	Washer Lock 1/4
20	73350400	Nut Jam Hex 1/4-20 Unc
21	136850	Harness Asm Light W/4152j
22	4152J	Bulb Light #1156
24	4799J	Cable Battery 6 Ga 11" red
25	146147	Cable Battery 6 Ga red w/16 Wire
26	108824X	Fuse 30 AMP Auto Green
28	4207J	Cable Ground 6 Ga 12" black
29	121305X	Switch Plunger Nc Gray
30	140301	Switch Ign 4 pos
31	124211X	Nut Ignition
32	141226	Cover Sw Key Blk 1 25 Text SLT
33	109310X	Key Ign Molded Craftsman
40	156442	Harness Ign Man CL AM HM 97
41	71110408	Bolt Blk. Fin Hex 1/4-20 Unc x 1/2
42	131563	Cover Terminal Red
43	145673	Solenoid
44	73640400	Nut Keps Blk Hx 1/4-20 Unc
48	140844	Adapter Ammeter Rectangular
70	140413	Harness Engine B&S5

NOTE: All component dimensions give in U.S. inches
1 inch = 25.4 mm

REPAIR PARTS

TRACTOR -- MODEL NUMBER 917.258450

CHASSIS AND ENCLOSURES



REPAIR PARTS

TRACTOR - - MODEL NUMBER 917.258450

CHASSIS AND ENCLOSURES

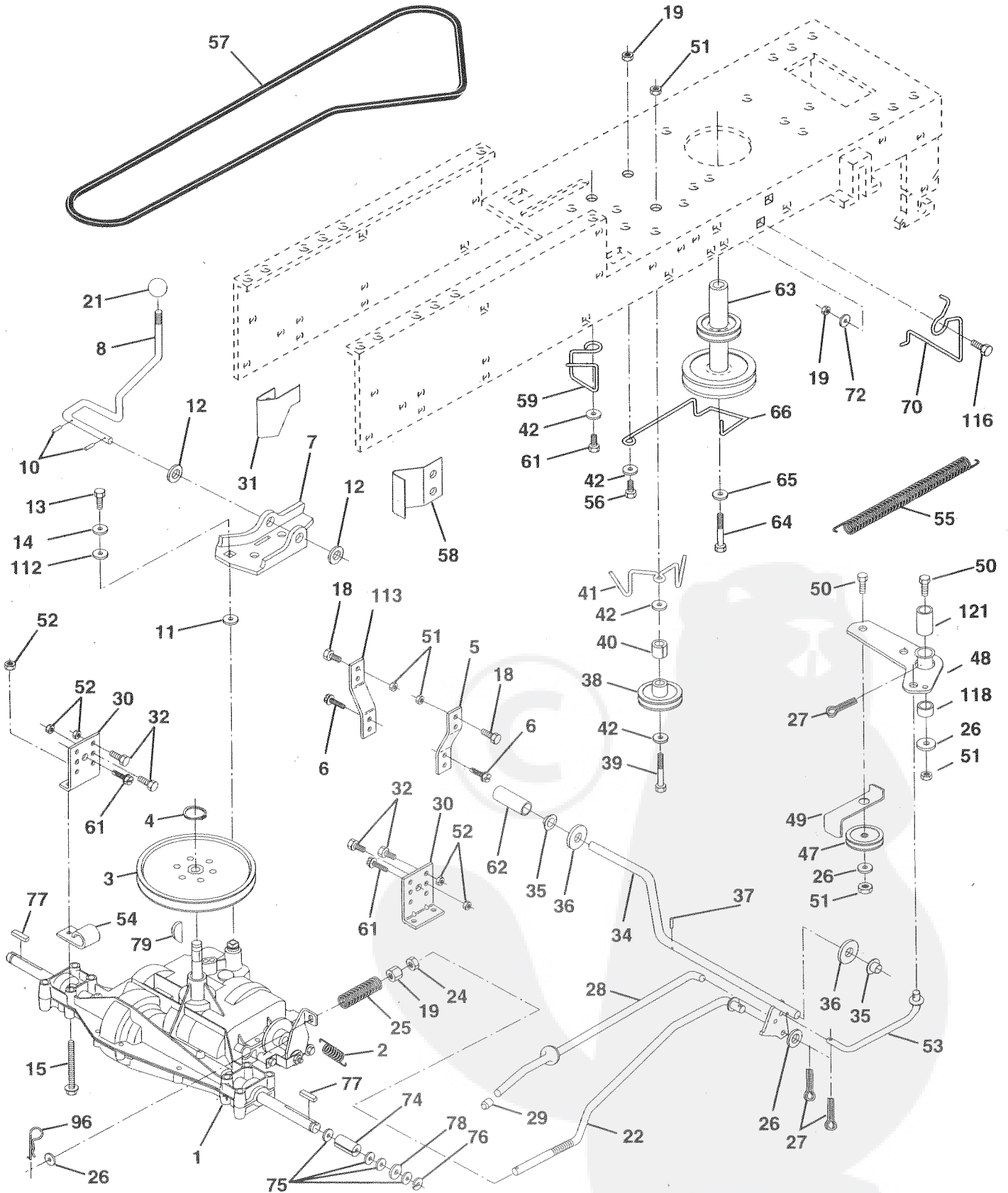
KEY NO.	PART NO.	DESCRIPTION
1	155051	Chassis Weldment
2	140356	Drawbar Stretch
3	17490612	Screw Thdrol 3/8-16x3/4 Ty-tt
4	STD551025	Washer 13/32 x 3/4 x 16 Ga.
5	155272	Bumper Hood/Dash
6	155924X011	Saddle Slksc Flat LT 5Sp Peer
7	124027X	Heat Shield Sloped Hood
8	155138	Clip Retainer Slide On
9	156272X011	Dash Silkscreened
10	STD533710	Bolt Rdhd Sqnk 3/8-16 Unc x 1
11	146956	Panel Pnt Dash Lh
13	146961X012	Panel Slkscr Dash Rh Weldment
14	17490608	Screw Thdrol 3/8-16x1/2 Ty-tt
15	74180512	Screw Mach Trhd 5/16-18uncx3/4
16	STD541431	Nut Keps 5/16-18 Unc
17	154988X417	Hood Asm Pnt
18	126938X	Bumper Hood
19	17521312	Screw Sltd Hex Hd w/PI Washer
21	122933X	Rivet Ratchet Nylon
22	124479X	Washer Nylon Blk 28x 75x 19
24	STD523710	Bolt Fin Hex 3/8-16unc X 1
25	19131312	Washer 13/16 X 13/16 X 12 Ga
26	STD541437	Nut Lock 3/8-16 Unc
27	17030814	Screw Hex Head, Spiderlock #8 x 7/8
28	140135	Grille Gray
29	124029X	Lens Headlight Bar Clear
30	109872X417	Fender Pnt
31	136619	Bracket Pnt Fender
33	105476X417	Footrest Pnt Lh Perf
34	105475X417	Footrest Pnt Rh Perf
35	STD533707	Bolt Rdhd Sht Sqnk 3/8-16 X3/4
38	139886	Bracket Asm. Pivot, L.H., Mower Rear
39	139887	Bracket Asm. Pivot, R.H., Mower Rear
100	105037X	Strip, Foam 18"
140	150556	Bracket Chassis Front 7 Ga.
--	5479J	Plug Button Blk 359 Dia

NOTE: All component dimensions given in U.S. inches
1 inch = 25.4 mm

REPAIR PARTS

TRACTOR -- MODEL NUMBER 917.258450

DRIVE



REPAIR PARTS

TRACTOR - - MODEL NUMBER 917.258450

DRIVE

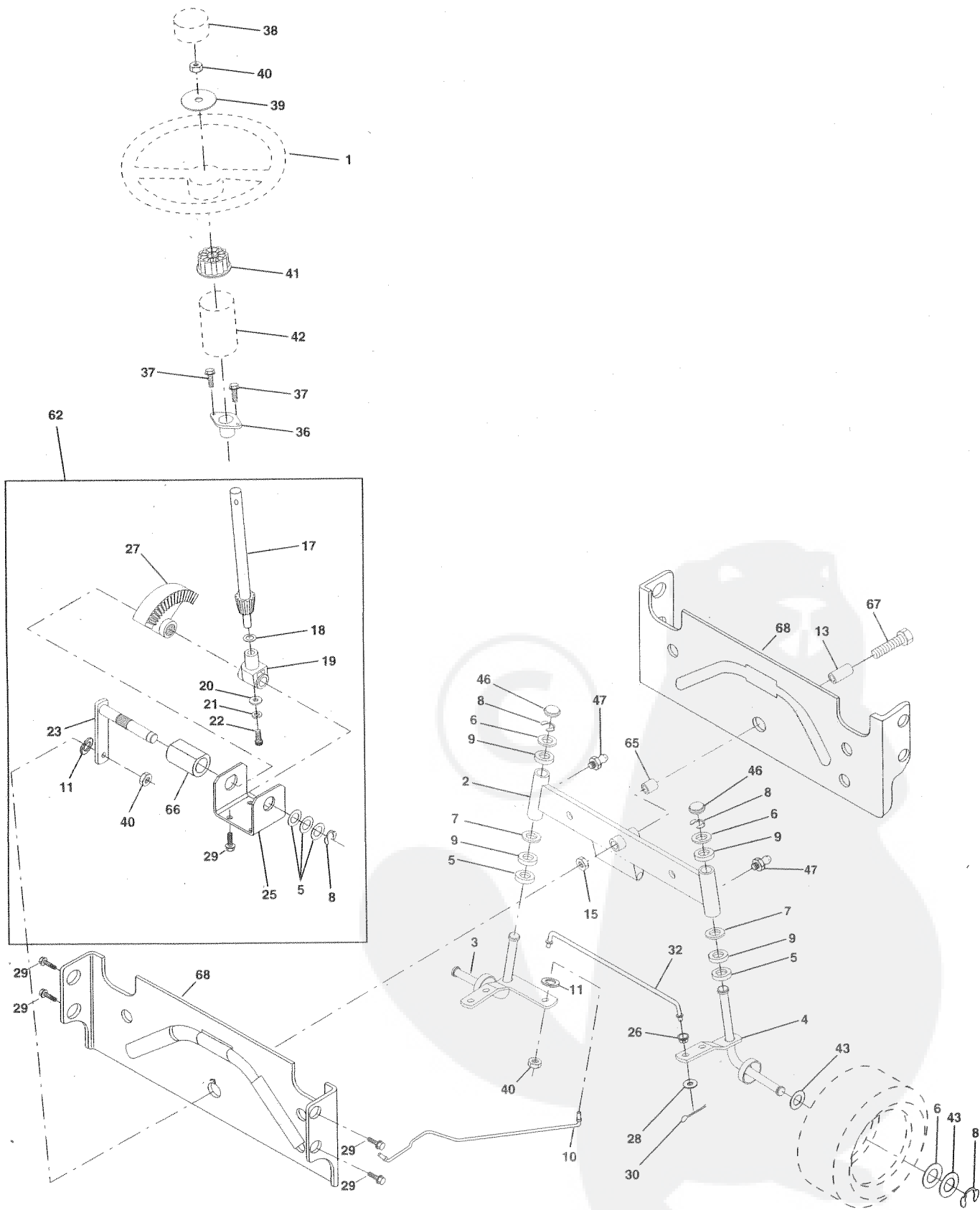
KEY NO.	PART NO.	DESCRIPTION	KEY NO.	PART NO.	DESCRIPTION
1	-----	Transaxle (See Breakdown)	42	19131312	Washer 13/32 X 13/16 X 12 Ga
		Peerless 930-054A	47	127783	Pulley Idler V Groove Plastic
2	146682	Spring Return Brake T/a Zinc	48	154604	Bellcrank Asm Clutch
3	123666X	Pulley Transaxle Alum	49	123205X	Retainer Belt Style Spring
4	12000028	Ring Retainer # 5100-62	50	STD523715	Bolt Hex Hd 3/8-16unc X 1-1/2
5	121520X	Strap Pnt Torque 30 Deg Blk	51	STD541437	Nut Crownlock 3/8-16 Unc
6	17490512	Screw Thdrol 5/16-18 X 3/4 Tyt	52	STD541431	Nut Lock 5/16-18 Unc
7	130802	Plate Pnt Rod Shift T/a (blk)	53	105710X	Link Clutch 7 66
8	131679	Rod Shifter Blk	54	2751R	Clip Line Fuel
10	STD561210	Pin Cotter 1/8 X 1 Cad	55	105709X	Spring Return Clutch 6 75
11	105701X	Washer Plate Shf 388 Sq Hole	56	STD523712	Bolt Fin Hex 3/8-16unc X 1-1/4
12	19151216	Washer 15/32 X 3/4 X 16ga	57	130801	V-belt Ground Drive 95.25
13	74550412	Bolt 1/4-28unf Gr8 w/Patch	58	127274X	Keeper Belt Rh Lt Pnt/zinc 16g
14	STD551125	Washer Lock Hvy Helical 1/4	59	140312	Retainer Belt Chassis Lh Zinc
15	74490544	Bolt Hex FLGHD 5/16-18 Gr.5	61	17490612	Screw Thdrol 3/8-16x3/4 Ty-tt
18	STD523710	Bolt Fin Hex 3/8-16 Unc x 1 Gr. 5	62	8883R	Cover Pedal Blk Std
19	STD541437	Nut Lock 3/8-16 Unc	63	140186	Pulley Engine
21	106933X	Knob Rd 1/2-13 Plstc Thds Blk	64	71170764	Bolt Finhex 7/16-20 x 4 g5
22	130804	Rod Brake Lt	65	STD551143	Washer Lock Hvy Hlcl Spr 7/16
24	STD541237	Nut Hex Jam 3/8-16 Unc	66	154778	Keeper Belt Engine Fool Proof
25	106888X	Spring Rod Brake 2 00 Zinc	70	134683	Guide Belt Dr Mower Rh
26	STD551037	Washer 13/32 X 13/16 X 16 Ga	72	19132012	Washer 13/32 X 1-1/4 X 12 Ga
27	STD561210	Pin Cotter 1/8 X 3/4 Cad	74	137057	Spacer Axle
28	145204	Rod Brake Parking Lt/Yt	75	121749X	Washer 25/32 X 1 1/4 X 16 Ga
29	124236X	Cap Parking Brake Red	76	STD581075	Ring E #5133-75
30	130807	Bracket Transmission	77	123583X	Key Square 2 0 X 1845/ 1865
31	127275X	Keeper Belt Lh Lt 14 Ga	78	121748X	Washer 25/32 X 1 5/8 X 16ga
32	STD523107	Bolt Fin Hex 5/16-18 x 3/4	79	2228M	Key Woodruff
34	155071	Shaft Asm Pedal Foot	96	STD624003	Retainer Spring
35	120183X	Bearing Nylon Blk 629 Id	112	19091210	Washer 9/32 X 3/4 X 10 Ga
36	STD551062	Washer 21/32 X 1 X 16 Ga	113	127285X	Strap Torque Lt
37	STD571810	Pin Roll 3/16 X 1"	116	72110610	Bolt Rdhd Sqnk 3/8-16 x 1.25
38	123674X	Pulley Idler Flat	118	154774	Spacer Bellcrank
39	STD523727	Bolt Fin Hex 3/8-16unc X 2-3/4	121	154419	Nyliner Clutching SLT
40	4470J	Spacer Split 395 X 59 Bzp			
41	154777	Keeper Belt Idler Fool Proof			

NOTE: All component dimensions given in U.S. inches
1 inch = 25.4 mm

REPAIR PARTS

TRACTOR - - MODEL NUMBER 917.258450

STEERING ASSEMBLY



REPAIR PARTS

TRACTOR - - MODEL NUMBER 917.258450

STEERING ASSEMBLY

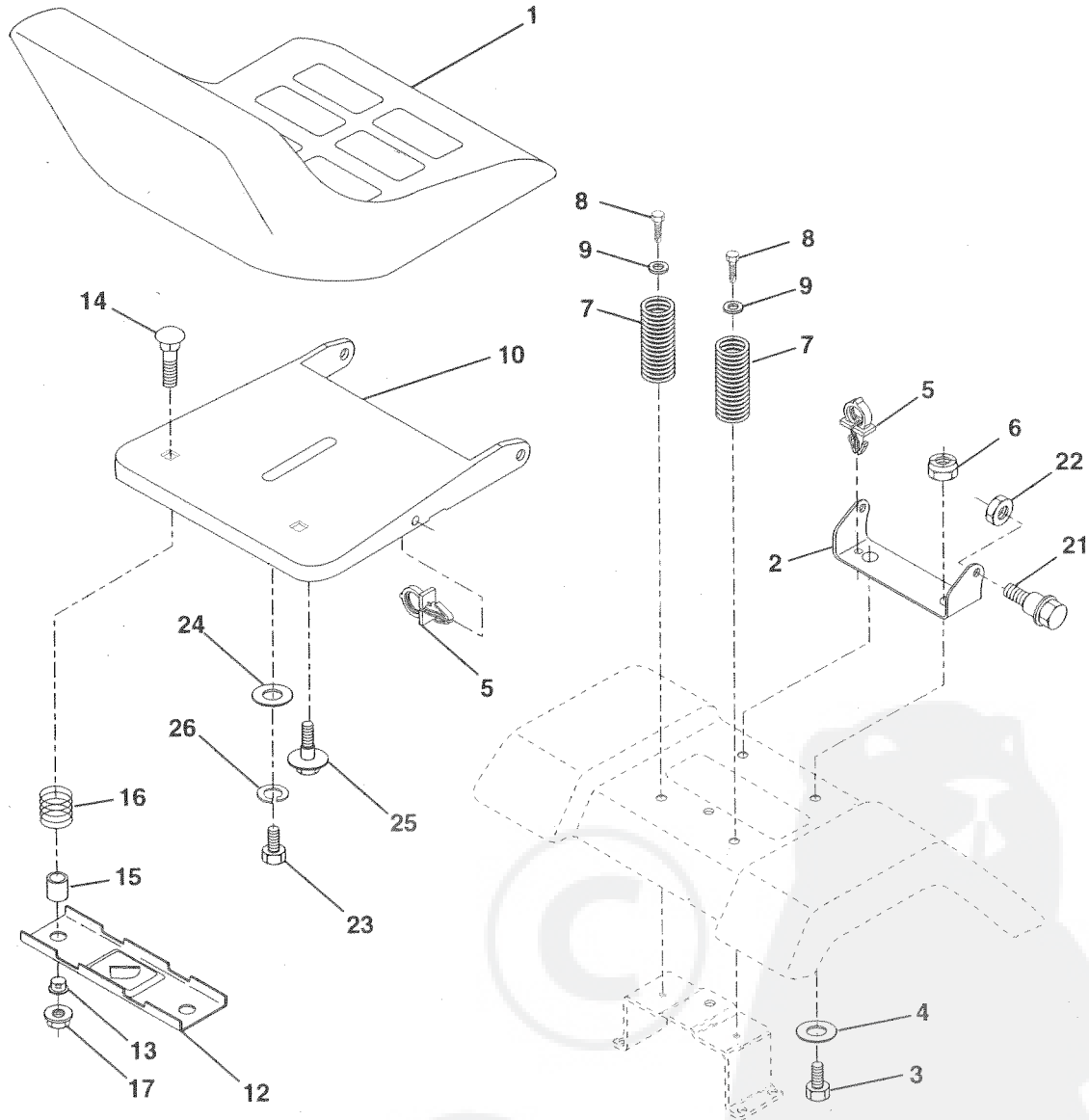
KEY NO.	PART NO.	DESCRIPTION
1	139768	Steering Wheel
2	154427	Axle Assembly STMP Dropped STL
3	154422	Spindle Assembly, L.H.
4	154423	Spindle Assembly, R.H.
5	6266H	Bearing, Race, Thrust, Hardened
6	121748X	Washer 25/32 x 1-5/8 x 16 Gauge
7	19272016	Washer 27/32 x 1-1/4 x 16 Gauge
8	12000029	Ring, Klip
9	3366R	Bearing, Steering Column
10	156438	Draglink Extended Stamped
11	STD551137	Washer, Lock
13	154779	Bearing Axle STLT/GT
15	73901000	Nut, Lock, Flange 5/8-11 UNC
16	132624	Pin, Axle 5/8 x 1.55/1.54
17	156545	Shaft Assembly, Steering
18	57079	Washer, Thrust .515 x .750 x .033
19	124035X	Support, Shaft
20	126684X	Washer, Shim 1/4 x 5/8 x .062
21	STD551125	Washer
22	71100410	Screw, Hex Socket Head 1/4-20 x 5/8
23	127501	Pittman Shaft Assembly
25	154406	Bracket, Steering
26	126847X	Bushing, Link, Drag
27	136874	Gear, Sector
28	19131416	Washer 13/32 x 7/8 x 16 Gauge
29	17490612	Screw, Thd., Roll. 3/8-16 x 3/4
30	STD561210	Pin
32	130465	Rod, Tie
36	155099	Bushing, Steering
37	152927	Screw
38	155118	Cap, Steering Wheel
39	19133808	Washer 13/32 x 2-3/8 x 8 Gauge
40	STD541537	Gripco Nut
41	104820X	Adaptor, Steering Wheel
42	124417X	Boot, Steering Shaft
43	121749X	Washer 25/32 x 1-1/4 x 16 Gauge
46	121232X	Cap, Spindle
47	6855M	Fitting, Grease
62	156593	Kit Steering Asm Service
65	154780	Spacer Axle
66	154404	Bearing Arm Pittman
67	74781044	Bolt, Fin Hex 5/8-11 UNC x 2-3/4
68	154429	Axle, Brace

NOTE: All component dimensions given in U.S. inches
1 inch = 25.4 mm

REPAIR PARTS

TRACTOR - - MODEL NUMBER 917.258450

SEAT ASSEMBLY



KEY NO.	PART NO.	DESCRIPTION
1	151205	Seat V350
2	140551	Bracket Pnt Pivot Seat (blk)
3	STD523710	Bolt Fin Hex 3/8-16unc X 1
4	19131610	Washer 13/32 X 3/4 X 10 Ga
5	145006	Clip Push In Hinged
6	STD541437	Nut Crownlock 3/8-16 Unc
7	124181X	Spring Seat Cprsn 2 250 Blk Zi
8	17490616	Screw Thdrol 3/8-16 X 1 Ty-tt
9	19131614	Washer 13/32 X 1 X 14 Ga
10	155925	Pan Pnt Seat (blk)
12	121246X	Bracket Pnt Mounting Switch
13	121248X	Bushing Snap Blk Nyl 50 ld

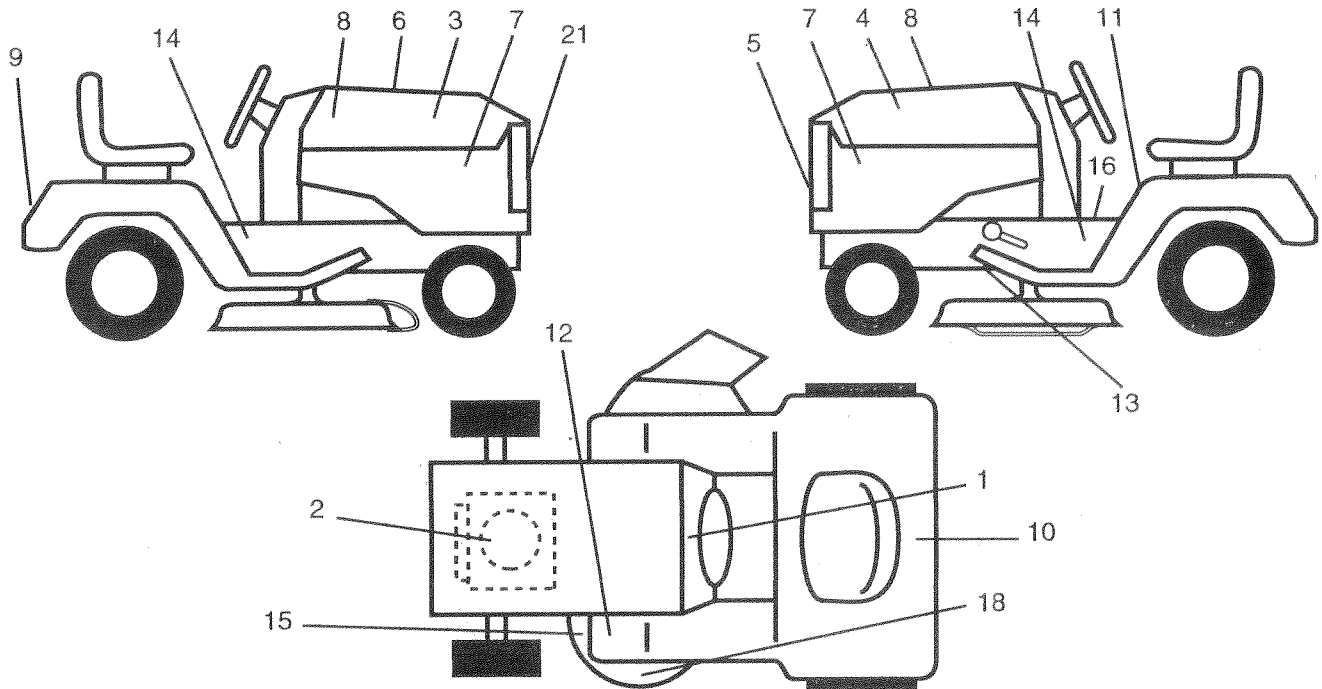
KEY NO.	PART NO.	DESCRIPTION
14	72050411	Bolt Rdhd Sht Nk 1/4-20x1-3/8
15	134300	Spacer Split 28 X 96 Zinc
16	121250X	Spring Cprsn 1 27 Blk Pnt
17	123976X	Nut Lock 1/4 Lge Flg Gr 5 Zinc
21	153236	Bolt Shoulder 5/16-18 Unc Blkz
22	STD541431	Nut Crown Lock 5/16-18
23	74780814	Bolt Fin Hex 1/2-13 X 7/8 Gr 5
24	19171912	Washer 17/32 X 1-3/16 X 12 Ga
25	127018X	Bolt Shoulder 5/16-18 X 62
26	STD551150	Washer Lock Hvy Hlcl Spr 1/2

NOTE: All component dimensions given in U.S. inches.
1 inch.= 25.4 mm

REPAIR PARTS

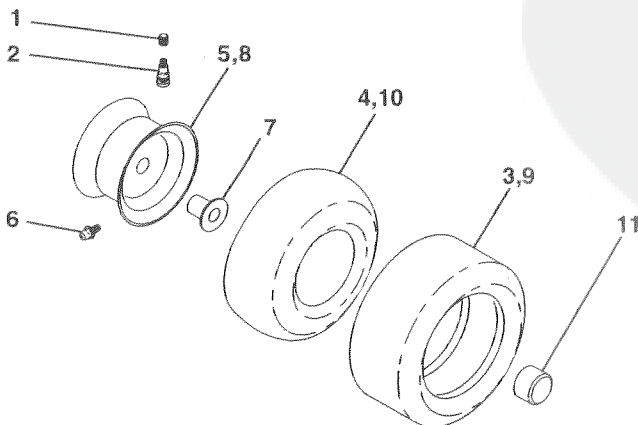
TRACTOR - - MODEL NUMBER 917.258450

DECALS



KEY NO.	PART NO.	DESCRIPTION	KEY NO.	PART NO.	DESCRIPTION
1	156834	Decal Oper Dash Gear Dr. Eng	12	4900J	Decal Clutch/brake English
2	272936	Decal Engine 12.5 Hp B&S IC Crafts	13	146046	Decal V-belt Dr Sch Tractor
3	151815	Decal Hood Slope Rh Craftsman	14	105809X	Decal Chassis 5 Sp 38"
4	151816	Decal Hood Slope Lh Craftsman	15	136832	Decal Mower Drive Schematic 38
5	128261	Decal Grille	16	140837	Decal, Brake Parking Saddle
6	133644	Decal Maint Customer Sears Dom	18	133179	Decal Mower Qc System
7	142249	Decal Panel Side l/c	21	131265	Decal Lightbox
8	142252	Decal Insert Hood Blk	--	138311	Decal Lift Handle
9	125880X	Decal Fender Craftsman Red	--	156824	Manual, Owner's (English)
10	149516	Decal Btry Dngr/Psn Eng. Acme	--	156825	Manual, Owner's (Spanish)
11	156439	Decal Fender Danger			

WHEELS & TIRES



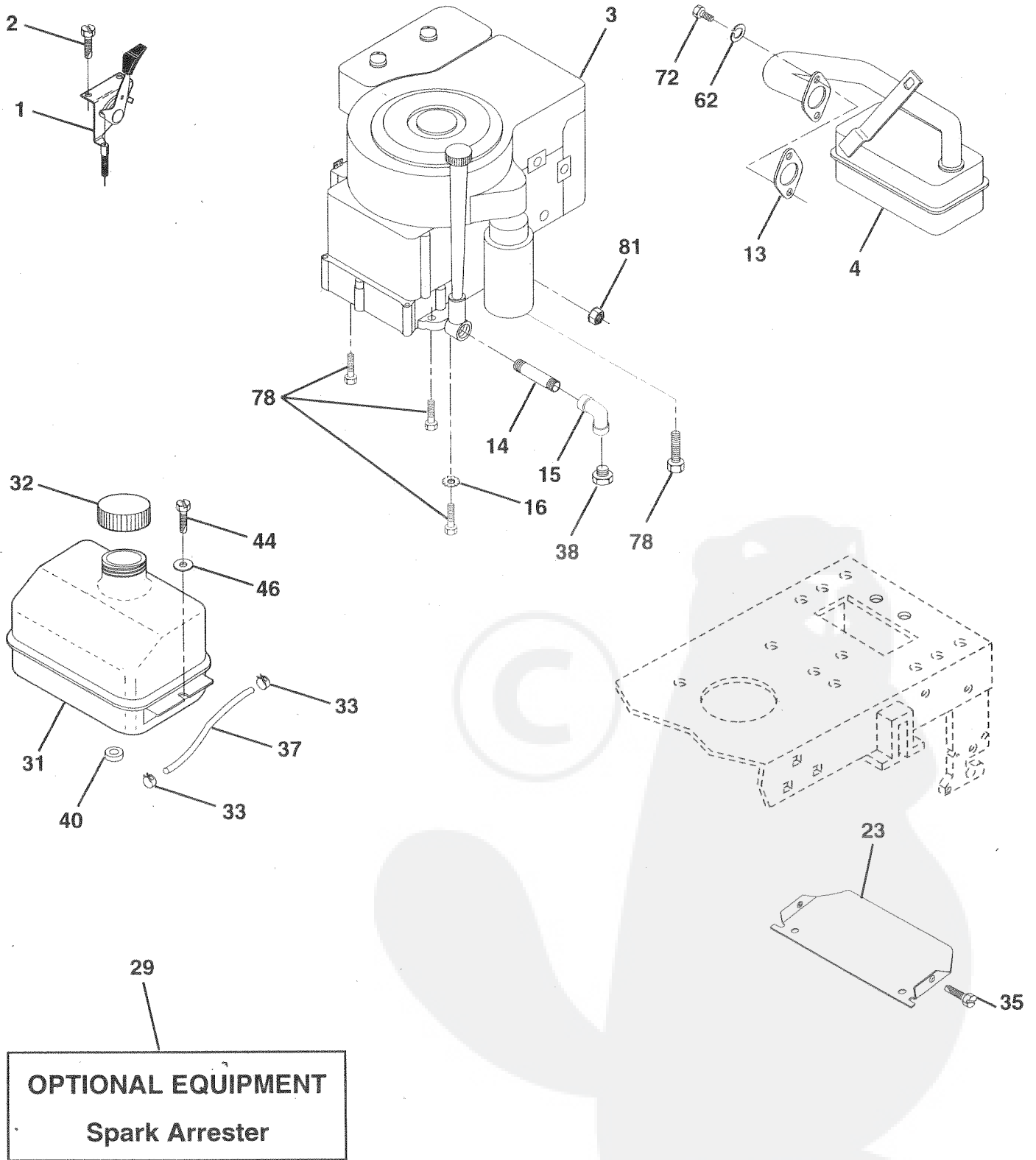
KEY NO.	PART NO.	DESCRIPTION
1	59192	Cap Value Tire
2	65139	Stem Value
3	106222X	Tire F Ts 15 X 6 0 - 6 Service
4	59904	Tube Inner Front #35060
5	106732X417	Rim Asm 6"front White Service
6	278H	Fitting Grease
7	9040H	Bearing Flange
8	106108X417	Rim Asm 8"rear White Service
9	124635X	Tire R Ts 18x8 5-8 Service
10	7152J	Tube Rear 9 5 X 8 Service
11	104757X	Cap Axle Blk 1 50 X 1 00
--	144334	Sealant, Tire (10 oz. Tube)

NOTE: All component dimensions given in U.S. inches.
1 inch = 25.4 mm

REPAIR PARTS

TRACTOR - - MODEL NUMBER 917.258450

ENGINE



REPAIR PARTS

TRACTOR -- MODEL NUMBER 917.258450

ENGINE

KEY NO.	PART NO.	DESCRIPTION
1	132759	Control Throt Rh Blk Pdl 15 10
2	17720410	Screw Hex Thd Cut 1/4-20x5/8 T
3	-----	Engine (See Breakdown) B&S Model No. 289707-0179-01
4	137348	Muffler Exhaust B&S Lt
13	272293	Gasket 1 313 Id Tin Plated
14	13280324	Nipple Pipe 3/8 Npt X 3"
15	13200300	Elbow Std 90 Degree 3/8-18 Npt
16	STD551237	Washer Lock Ext Tooth 3/8
23	156123	Shield Browning
29	137180	Arrestor Spark
31	109202X	Tank Fuel 1 25 Fr
32	123549X	Cap Asm Fuel W/sym Vented
33	123487X	Clamp Hose Blk
35	17490512	Screw Thdrol 5/16-18 x 3/4
37	137040	Line Fuel 20"
38	-----	Plug Oil Drain (Order From Engine Manufacturer)
40	124028X	Bushing Snap Nyl Blk Fuel Line
44	17490412	Screw Hexwsh Thdrol 1/4-20x3/4
46	19091416	Washer 9/32 X 7/8 X 16ga
62	STD551131	Washer Lock Hvy Hlcl Spr 5/16
72	71070512	Screw Hexhd Cap 5/16-18x3/4
78	17490620	Screw Thdrol 3/8-16x1-1/4 Tytt
81	128861	Nut Flange 1/4-20 Starter Nut

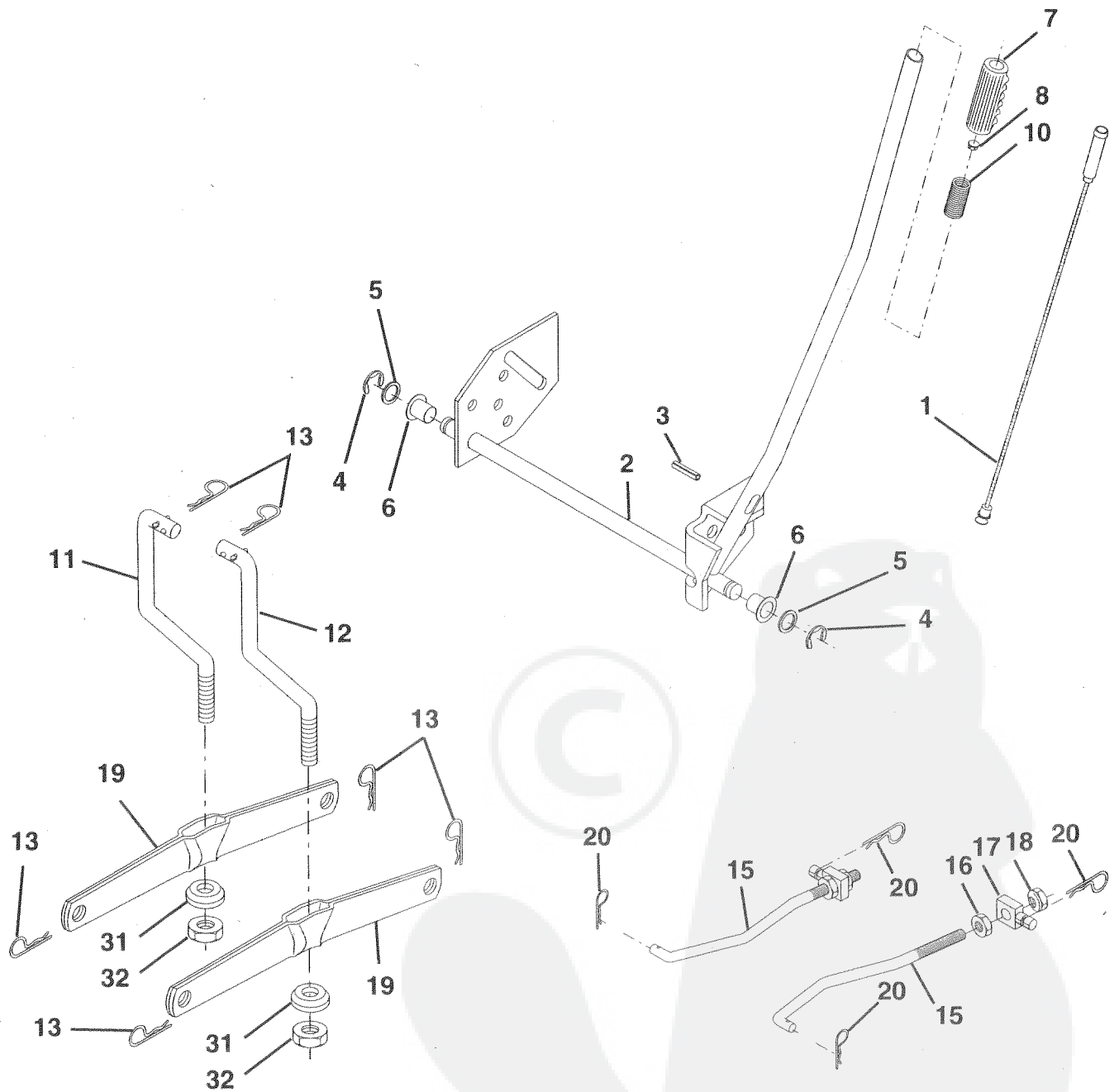
NOTE: All component dimensions given in U.S. inches
1 inch = 25.4 mm



REPAIR PARTS

TRACTOR - - MODEL NUMBER 917.258450

LIFT



REPAIR PARTS

TRACTOR - - MODEL NUMBER 917.258450

LIFT

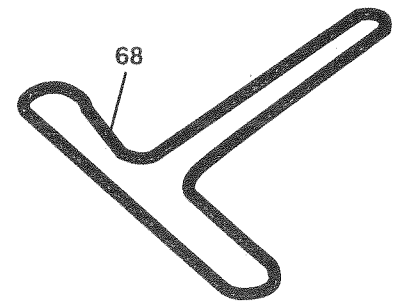
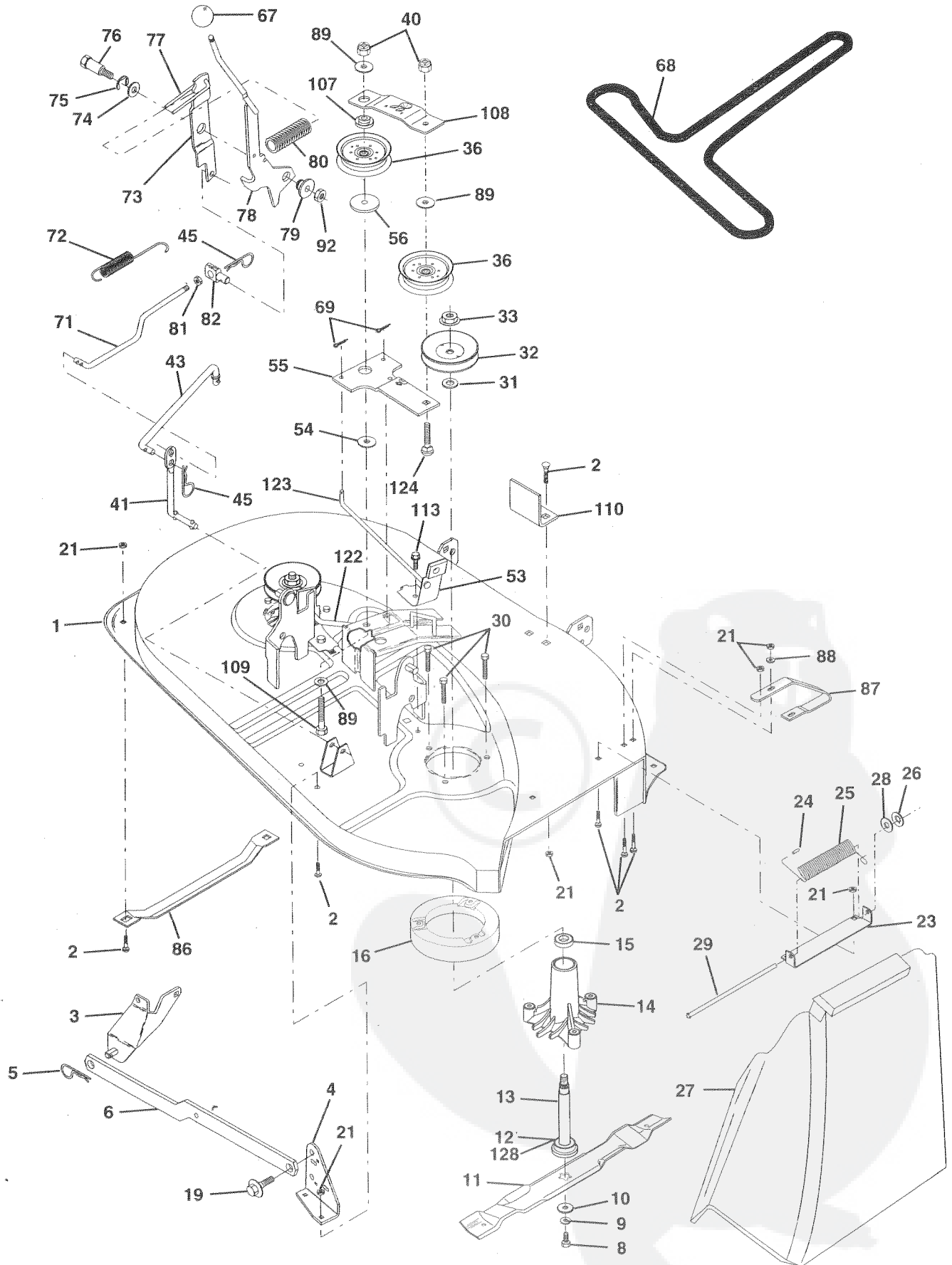
KEY NO.	PART NO.	DESCRIPTION
1	136973	Rod Asm. Lever
2	122507X	Shaft Asm. Lift
3	105767X	Pin Groove
4	12000002	E Ring #5133-62
5	19211621	Washer 21/32 x 1 x 21 Ga.
6	120183X	Bearing Nylon
7	125631X	Grip Handle Fluted
8	122365X	Button Plunger Read
10	122512X	Spring Cprsn
11	139865	Lift Asm. Link LH
12	139866	Lift Asm. Link RH
13	STD624008	Retainer Spring
15	127218	Link Front
16	73350800	Nut Jam Hex 1/2-13 Unc
17	130171	Trunnion Blk Zinc
18	73800800	Nut Lock W/Wsh 1/2-13 Unc
19	139868	Arm Suspension Mower
20	STD624008	Retainer Spring
31	140302	Bearing, Pvt. Lift. Spherical
32	73540600	Nut Crownlock 3/8-24

NOTE: All component dimensions given in U.S. inches
1 inch = 25.4 mm

REPAIR PARTS

TRACTOR -- MODEL NUMBER 917.258450

MOWER



REPAIR PARTS

TRACTOR - - MODEL NUMBER 917.258450

MOWER

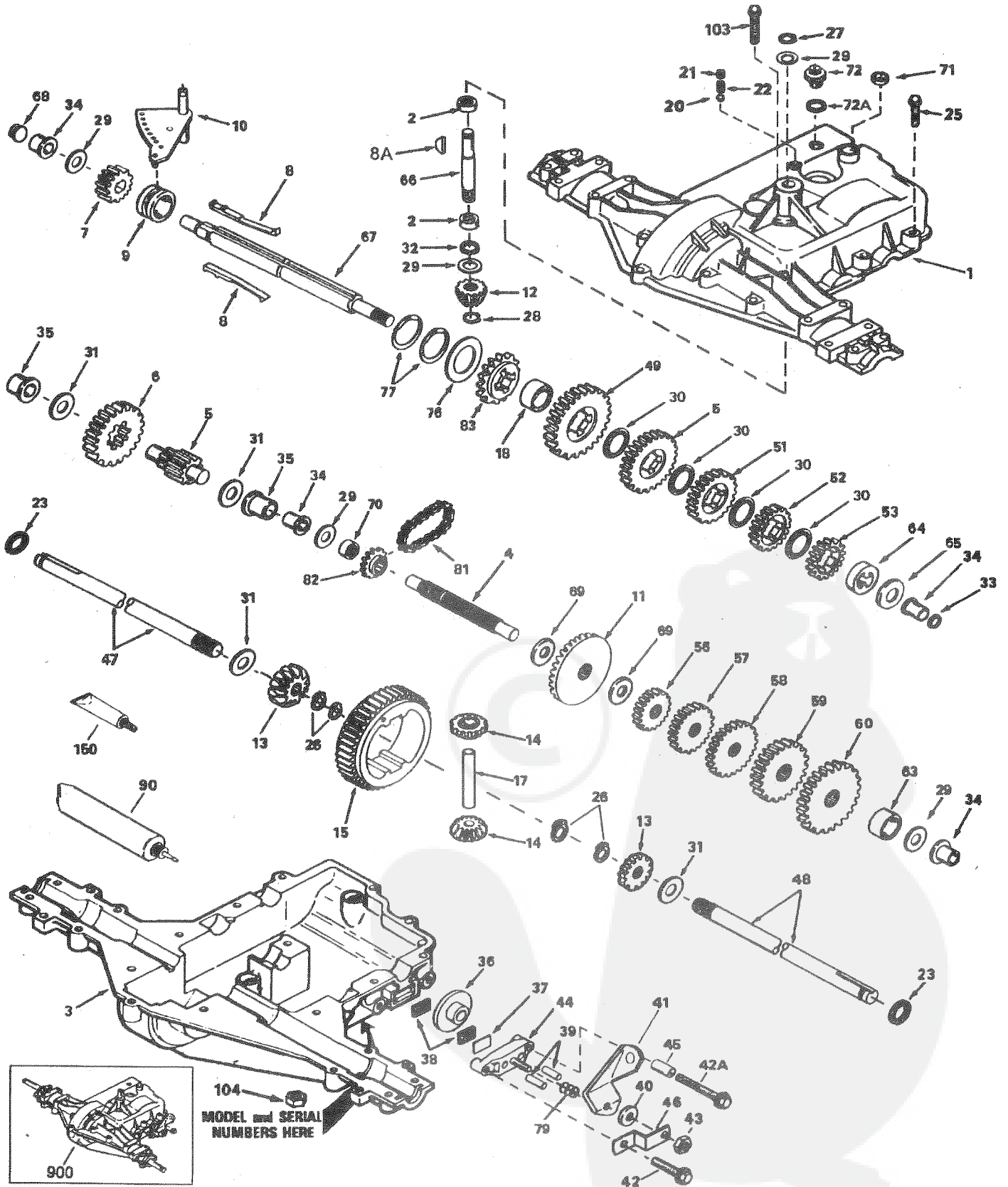
KEY NO.	PART NO.	DESCRIPTION	KEY NO.	PART NO.	DESCRIPTION
1	142829	Mower Housing Assembly	56	122052X	Spacer, Retainer 1-3/4
2	STD533107	Bolt, Carriage 5/16-18 x 3/4	67	149846	Knob
3	138017	Bracket Asm. Fram Sway Bar 38/42	68	144200	Belt
4	138440	Bracket, Asm. Deck Sway Bar 38"	69	STD560907	Pin, Cotter 3/32 x 3/4
5	STD624008	Retainer, Spring	71	142427	Rod, Clutch, Primary
6	130832	Asm. Suspension Rear	72	131870	Spring, Return
8	850857	Bolt, Hex 3/8-24 x 1-1/4 Grade 8	73	127847	Arm, Clutch, Secondary
9	STD551137	Washer, Lock, Hvy Hlcl Spring 3/8	74	121748X	Washer 25/32 x 1-5/8 x 16 Gauge
10	140296	Washer, Hard Blade Mower Vented	75	12000029	Ring, Klip
11	134148	Blade, Mower, Mulching 38"	76	128903	Bolt, Shoulder
12	129895	Ball Bearing	77	127845	Keeper, Spring
13	137645	Shaft and Bearing Assembly (Includes Key Number 15)	78	140334	Arm, Clutch, Primary
14	128774	Mandrel Housing, Vented	79	127498	Bushing
15	110485X	Ball Bearing, Mandrel	80	153701	Spring
16	140329	Stripper, Mower, Vented	81	STD541237	Nut Hex Jam 3/8-16 UNC
19	132827	Bolt, Shoulder	82	142028	Trunnion Adj 94
21	STD541431	Nut, Crownlock 5/16-18	86	7631J	Runner, LH
23	137607	Bracket, Mower Deflector	87	128772	Runner, RH
24	105304X	Cap, Sleeve	88	19111216	Washer 11/32 x 3/4 x 16 Gauge
25	123713X	Spring, Deflector	89	19131612	Washer 13/32 x 1 x 12 Gauge
26	110452X	Nut, Push	92	STD541437	Nut Lock Hex w/Ins 3/8-16 UNC
27	106736X	Shield, Deflector	107	133502	Spacer, Retainer
28	19111016	Washer 11/32 x 3/4 x 16 Gauge	108	133503	Stiffener, Idler Arm
29	106735X	Rod, Hinge	109	74760640	Bolt, Hex Head 3/8-16 x 2-1/2
30	138776	Screw, Thdrol Hex Hd	110	142587	Upstop Deck Front 38"
31	129963	Washer, Spacer	113	17490512	Screw, Hex Head, Thd., Roll. 5/16-18 x 3/4
32	153532	Pulley, Mandrel	122	131289	Rod, Brake, LH
33	137266	Nut, Flangelock 9/16	123	131288	Rod, Brake, RH
36	131494	Pulley, Idler, Flat	124	STD533717	Bolt, Carriage 3/8-16 x 1-3/4
40	STD541437	Nut, Crownlock 3/8-16	128	153390	Washer Felt
41	133551	Rod, Pivot	--	130794	Mandrel Assembly (Includes Key Numbers 12-15, 17-19, 31 and 33)
43	133504	Rod, Clutch, Secondary	--	142820	Mower Deck, Complete
45	STD624003	Retainer, Spring			
53	130840	Brake Assembly			
54	133943	Washer Hardened			
55	133840	Idler Arm Assembly			

NOTE: All component dimensions given in U.S. inches
1 inch = 25.4 mm

REPAIR PARTS

TRACTOR - - MODEL NUMBER 917.258450

PEERLESS TRANSAXLE - MODEL NUMBER P930-054A



REPAIR PARTS

TRACTOR - - MODEL NUMBER 917.258450

PEERLESS TRANSAXLE - MODEL NUMBER P930-054A

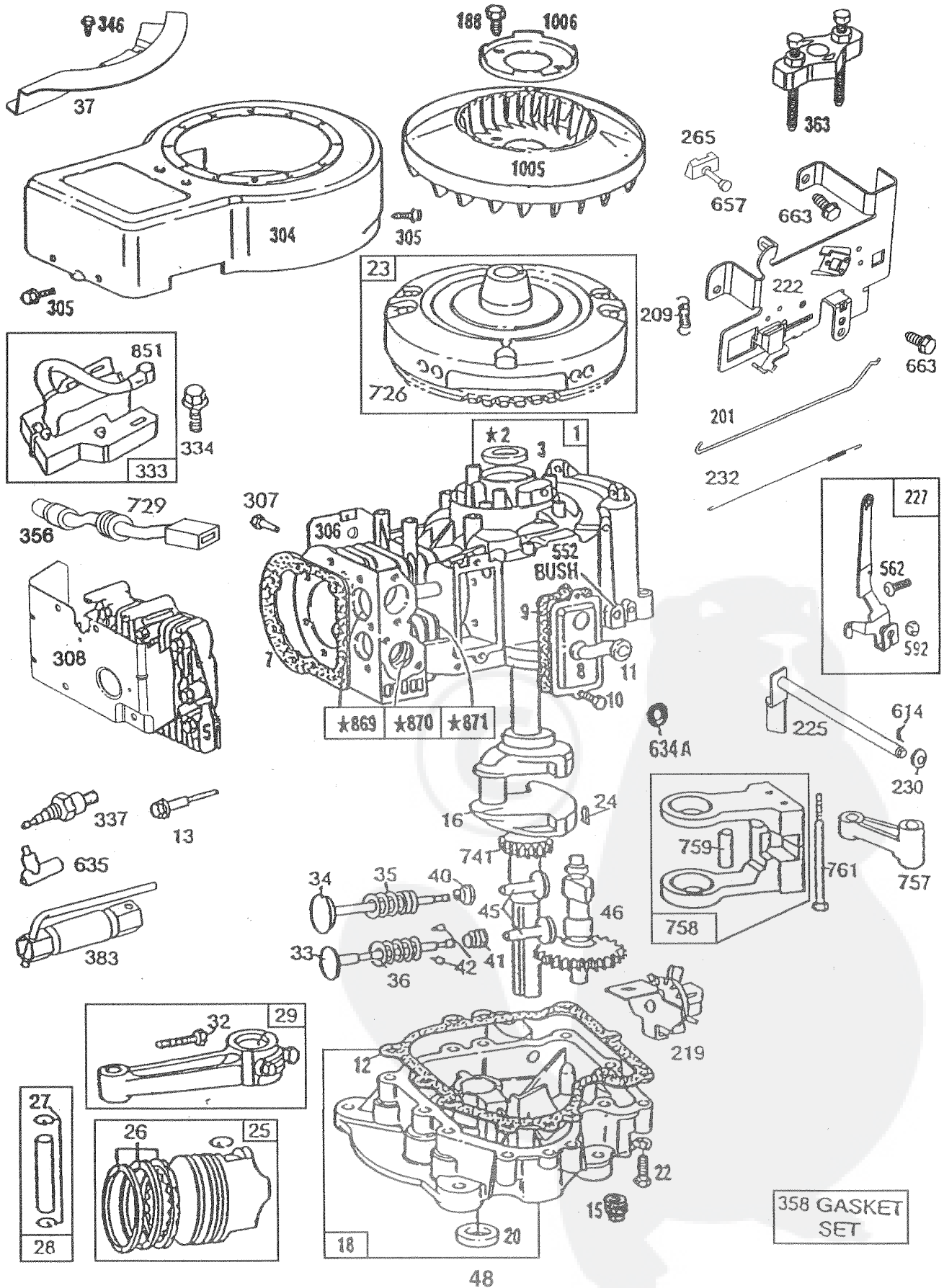
REF PART NO.	PART NO.	DESCRIPTION	REF PART NO.	PART NO.	DESCRIPTION
1	772108A	Cover, Transaxle	43	792075	Locknut 5/16-24
2	780086	Bearing, Needle	44	790025	Holder, Brake Pad
3	770102A	Case, Transaxle	45	786066	Spacer
4	776260	Shaft, Counter	46	786086	Bracket, Brake Lever
5	776219B	Shaft and Pinion Assembly, Output	47	774690	Axle 11-5/16" long
6	778139	Gear, Output	48	774691	Axle 16-1/2" long
7	778136	Gear, Spur, 15 Teeth	49	778215	Gear, Spur, 37 Teeth, Steel (1 st)
8	792136A	Key, Shift	50	778124A	Gear, Spur, 30 Teeth (2 nd)
8A	792047	Key, Woodruff	51	778123A	Gear, Spur, 25 Teeth (3 rd)
9	784352	Collar, Shifter	52	778122A	Gear, Spur, 22 Teeth (4 th)
10	784355	Rod and Fork Assembly, Shift	53	778273	Gear, Spur, 19 Teeth, Steel (5 th)
11	778229	Gear, Bevel, 42 Teeth	56	778230	Gear, Spur, 12 Teeth (1 st)
12	778113A	Bevel Pinion, Input	57	778126A	Gear, Spur, 20 Teeth (2 nd)
13	778221	Gear, Bevel	58	778127A	Gear, Spur, 25 Teeth (3 rd)
14	778068	Gear, Bevel Pinion	59	778128A	Gear, Spur, 28 Teeth (4 th)
15	778260	Gear, Ring	60	778163	Gear, Spur, 31 Teeth (5 th)
17	786139	Pin, Drive	63	786071	Spacer
18	786102	Spacer, Neutral	64	786072	Spacer
20	792077	Ball, Steel 5/16" diameter	65	780109	Washer, Thrust
21	792078	Set Screw 3/8-16 x 3/8	66	776135	Shaft, Input
22	792079	Spring	67	776315A	Shaft, Brake, 4 Keyed
23	788061	Ring, Seal	68	786116A	Plug
25	792073	Screw, Flanged Hex Head, Thread Forming 1/4-20 x 1-1/4	69	780051	Washer, Thrust
26	792125	Ring, Retainer (4 Required, Package of 2)	70	786118	Spacer
27	792035	Ring, Retainer	71	788069	Seal, Square Cut
28	788040	Ring, Retainer	72	792165	Plug, Threaded 9/16-18
29	780072	Washer, Thrust	72A	788091	"O" Ring
30	780108	Washer, Thrust	76	780090	Washer, Thrust
31	780001	Washer	77	788078A	Ring, Retaining, Inverted (Package of 2)
32	792001	"O" Ring	79	792144	Spring, Brake
33	788095	Seal, Square Cut	81	786081	Chain, Roller (Number 41 Chain, 24 Links)
34	780105A	Bushing, Flanged	82	786082	Sprocket, 9 Teeth (Reverse)
35	780118A	Bushing, Flanged	83	786123	Sprocket, 18 Teeth (Reverse)
36	790003	Disk, Brake	90	788067B	Grease, Bentonite, 32 Ounce Bottle
37	790007	Plate, Brake Pad	103	792166	Screw 1/4-20 x 2
38	799021	Pad, Brake	104	792167	Locknut 1/4-20
39	786026	Pin, Dowel	150	510334	Gasket Eliminator (Loctite #515)
40	792076A	Washer, Flat	900	794528A	Replacement Transaxle
41	790079	Lever, Brake			
42	792073	Screw, Flanged Hex Head, Thread Forming 1/4-20 x 1-1/4			
42A	792085A	Screw 1/4-20 x 2-1/4			

NOTE: All component dimensions given in U.S. inches
1 inch = 25.4 mm

REPAIR PARTS

TRACTOR -- MODEL NUMBER 917.258450

BRIGGS & STRATTON ENGINE - MODEL NUMBER 289707, TYPE NUMBER 0179-01

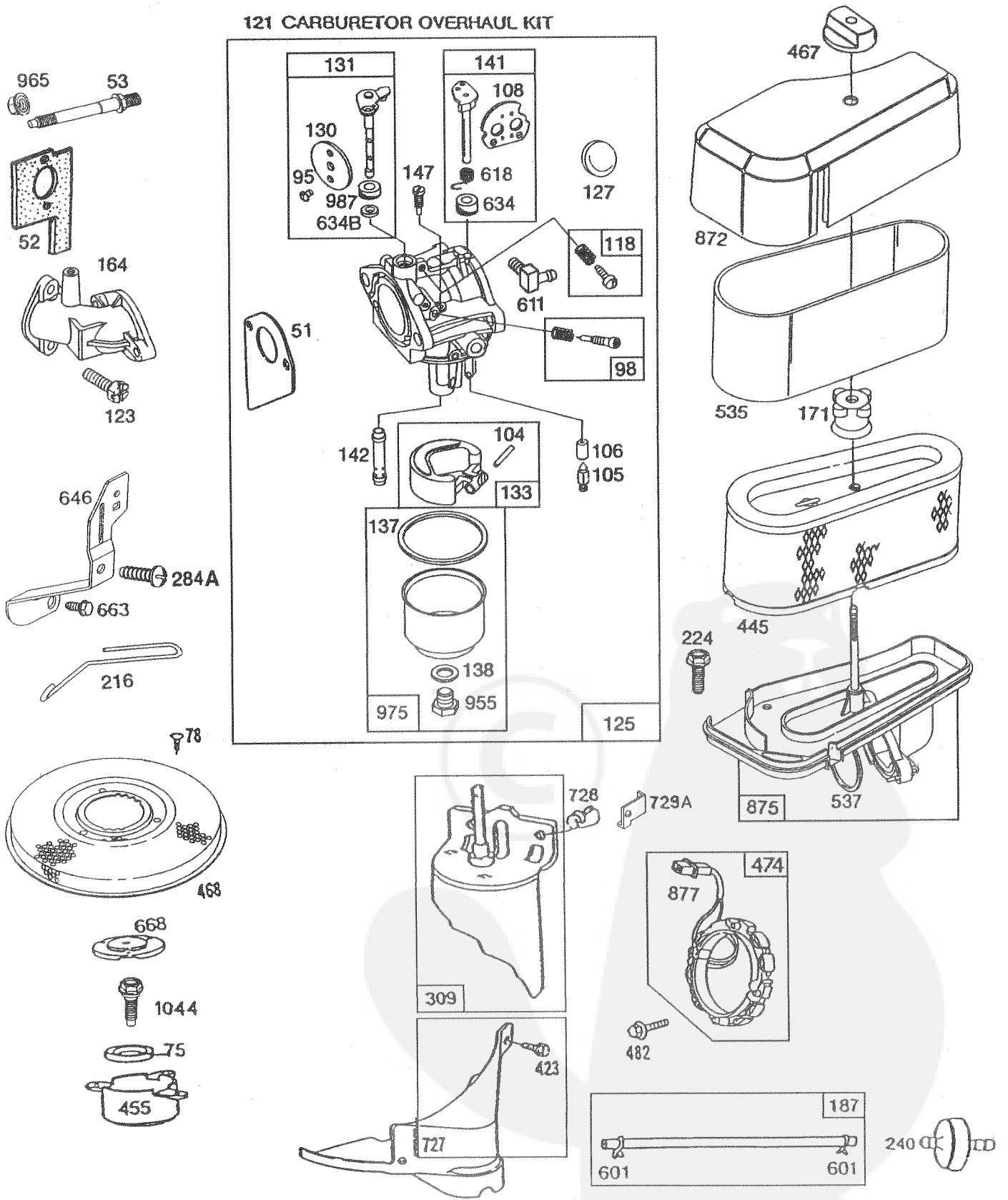


REPAIR PARTS

TRACTOR - - MODEL NUMBER 917.258450

BRIGGS & STRATTON ENGINE - MODEL NUMBER 289707, TYPE NUMBER 0179-01

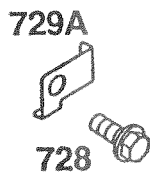
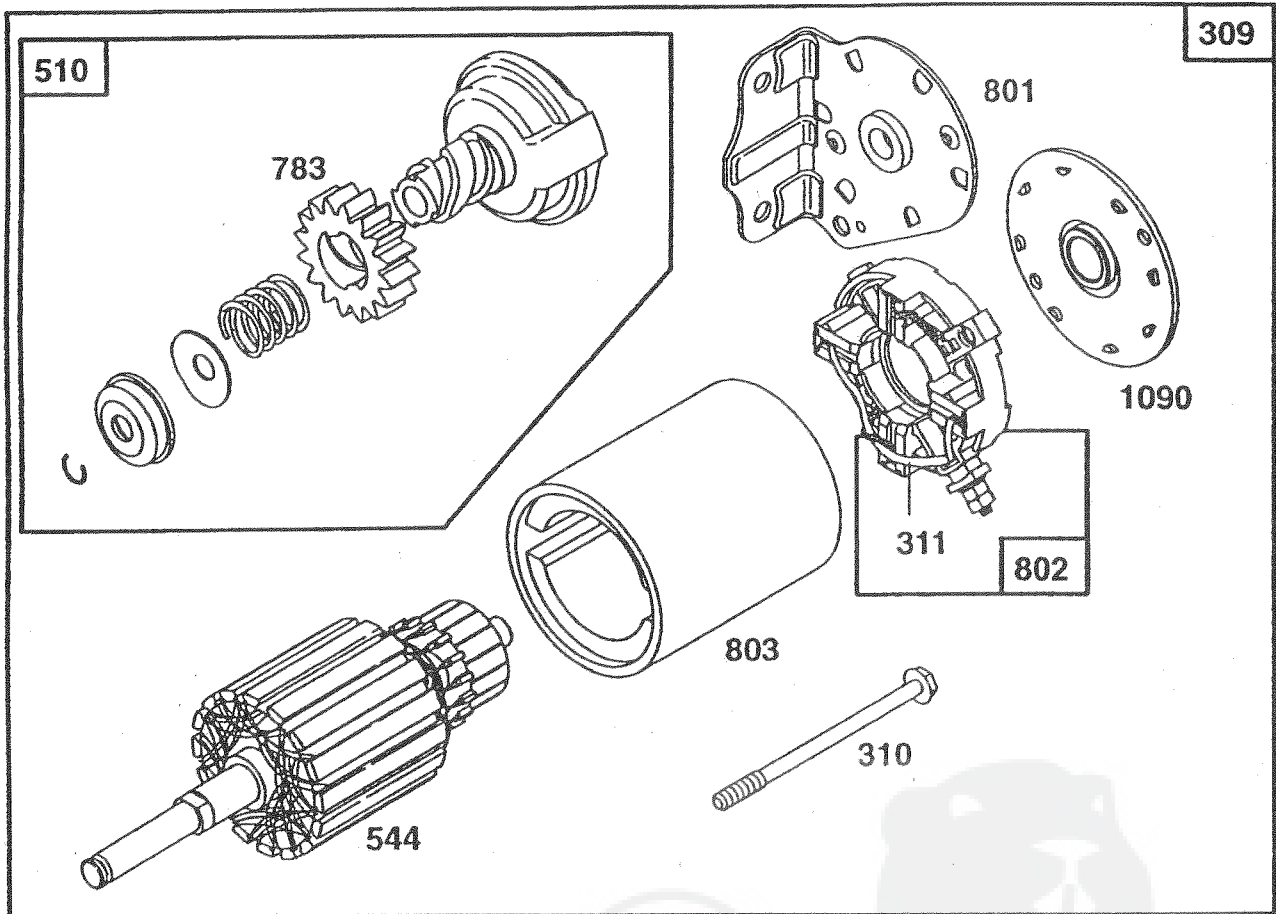
121 CARBURETOR OVERHAUL KIT



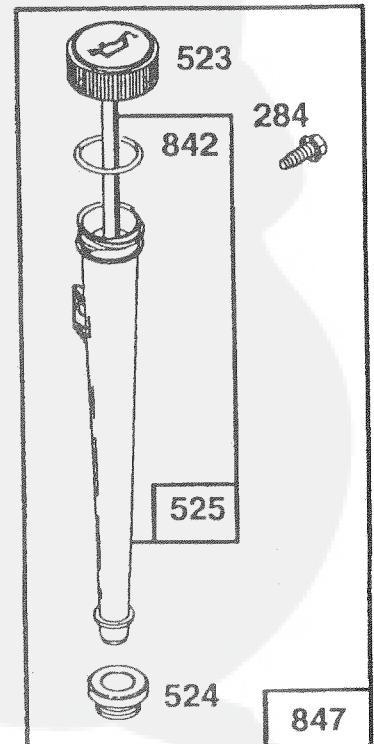
REPAIR PARTS

TRACTOR - - MODEL NUMBER 917.258450

BRIGGS & STRATTON ENGINE - MODEL NUMBER 289707, TYPE NUMBER 0179-01



1058 OWNER'S MANUAL



REPAIR PARTS

TRACTOR - - MODEL NUMBER 917.258450

BRIGGS & STRATTON ENGINE - MODEL NUMBER 289707, TYPE NUMBER 0179-01

KEY PART NO.	NO.	DESCRIPTION	KEY PART NO.	NO.	DESCRIPTION
1	496413	Cylinder Assembly	52	272554	* Gasket, Carburetor
2	399265	Bearing, Cylinder (Requires Special Tools For Installation)	53	94637	Stud, Carburetor Mounting
3	391086	* Seal, Oil	75	224061	Washer, Spring
5	494240	Head, Cylinder	78	93805	Screw, Sems
7	271866	* Gasket, Cylinder Head	95	94098	** Screw, Throttle
8	391406	Breather Assembly	98	495800	Screw, Idle Speed
9	27803	* Gasket, Valve Cover	104	231789	** Pin, Float Hinge
10	94621	Screw, Sems	105	231855	** Valve Assembly, Inlet Needle
11	280100	Tube, Breather	106	231854	Inlet, Valve Seat
12	271916	* Gasket, Crankcase Cover 1/64"	108	224540	Valve, Choke
	271997	* Gasket, Crankcase Cover .005"	118	494383	** Valve, Needle
	271996	* Gasket, Crankcase Cover .009"	121	497535	Carburetor Overhaul Kit
13	94622	Screw, Cylinder Head	123	94616	Screw, Elbow Mounting
15	94239	Plug, Oil Drain	125	495706	Carburetor Assembly
16	495162	Crankshaft	127	---	** Plug, Welch (Sold in Kit Only)
	94196	Key, Timing Gear	130	224539	Valve, Throttle
18	494238	Base, Engine	131	494379	Shaft and Lever, Throttle
20	291675	* Seal, Oil	133	494381	Float, Carburetor
22	94624	Screw, Sems, Base Mounting	137	281165	*** Gasket, Float Bowl
23	492326	Flywheel and Ring Gear Assembly, Magneto	138	281164	*** Washer, Float Bowl Screw
24	222698	Key, Flywheel	141	494380	** Shaft and Lever, Choke
25	394661	Piston Assembly, Standard	142	494537	** Nozzle / Jet, Carburetor
	394662	Piston Assembly .010" Oversize	147	497472	** Pilot, Jet
	394663	Piston Assembly .020" Oversize	164	213819	Carburetor, Elbow
	394664	Piston Assembly .030" Oversize	171	281051	Nut, Air Cleaner Mounting
26	391780	Ring Set, Piston, Standard Size	187	393815	Line, Fuel
	392331	Ring Set, Piston, Chrome, Standard	188	93535	Screw, Sems
	391781	Ring Set, Piston .010" Oversize	201	262767	Link, Governor
	391782	Ring Set, Piston .020" Oversize	209	260871	Spring, Governor
	391783	Ring Set, Piston .030" Oversize	216	262766	Link, Choke
27	260924	Lock, Piston Pin	219	490815	Oil Slinger, Governor Gear and Bracket Assembly
28	299691	Pin Assembly, Piston, Standard	222	494887	Plate, Governor Control
	391286	Pin Assy., Piston .005" Oversize	224	94513	Screw, Sems, Air Cleaner
29	490348	Rod Assembly, Connecting	225	495157	Crank, Governor
	490469	Rod Assembly, Connecting, .020" Undersize Crankpin Bore	227	493935	Lever Assembly, Governor
32	94671	Screw, Connecting Rod	230	94742	Washer, Governor Crank
33	262246	Valve, Exhaust	232	262785	Spring, Governor Link
34	262247	Valve, Intake	240	394358	Filter, Fuel
35	65906	Spring, Intake Valve	265	221535	Clamp, Casing
36	26828	Spring, Exhaust Valve			* Included in Gasket Set (494241)
37	224502	Guard, Flywheel			** Included in Carburetor Overhaul Kit (497535)
40	221596	Retainer, Intake Valve			*** Included in both Carburetor Overhaul Kit (497535) and Carburetor Gasket Set (494385)
41	292260	Rotocoil, Exhaust Valve			
42	93630	Retainer, Exhaust Valve Rotocoil			
45	262248	Tappet, Valve			
46	212897	Gear, Cam			
51	272465	*** Gasket, Carburetor (to Elbow)			

NOTE: All component dimensions given in U.S. inches
1 inch = 25.4 mm

REPAIR PARTS

TRACTOR - - MODEL NUMBER 917.258450

BRIGGS & STRATTON ENGINE - MODEL NUMBER 289707, TYPE NUMBER 0179-01

KEY PART NO. NO.	DESCRIPTION	KEY PART NO. NO.	DESCRIPTION
284 94073	Screw, Shoulder, Hex Washer Head	726 392134	Gear, Ring (Includes Mounting Parts)
284A 94704	Screw, Hex Head	727 490324	Cover, Starter (Includes Mounting Screws)
304 496319	Housing, Blower	728 94627	Screw, Hex Head
305 94619	Screw, Sems, Blower Housing Mounting	729 281159	Clip, Lead Wire
306 224545	Shield, Cylinder	729A 225170	Retainer Wire
307 94623	Screw, Sems, Cylinder Shield Mounting	741 262135	Gear, Timing
308 491490	Cover, Cylinder Head	757 212359	Link, Counterweight
309 497595	Motor, Starter	758 399891	Counterweight Assembly
310 497602	Bolt, Thru	759 298909	Pin, Counterweight
311 497608	Brush Set	761 93875	Screw, Counterweight
333 492341	Armature, Magneto	783 280104	Gear, Starter
334 93381	Screw, Sems, Armature Mounting	801 394856	Cap, Drive
337 802592	Plug, Spark	802 497605	Cap, End
346 93705	Screw, Hex Head	803 497604	Housing, Starter
356 494328	Wire, Ground	842 270920	Seal, Oil Filler Cap
358 494241	Gasket Set	847 496415	Fill Group, Oil
363 19203	Puller, Flywheel	851 221798	Terminal, Ignition Cable
383 89838	Wrench, Spark Plug	869 261463	Seat, Intake Valve, Standard
423 94073	Screw, Sems	870 213316	Seat, Exhaust Valve, Standard
445 493909	Cartridge, Air Cleaner	871 261961	Guide, Exhaust Valve
455 222561	Cup, Screen Mounting	231218	Guide, Intake Valve
467 493903	Knob, Air Cleaner	872 281104	Cover, Air Cleaner
468 222562	Screen, Flush Rotating	875 494237	Body, Air Cleaner
474 393474	Stator, Alternator	877 393456	Diode and Connector Assembly, Dual Circuit
482 93621	Screw, Sems	955 94642	** Screw, Fuel Bowl
510 497606	Drive, Starter	965 94108	Locknut, Air Cleaner Mounting
523 490327	Cap and Dipstick, Oil Filler	975 494378	Bowl Assembly, Carburetor
524 68838	Seal, Filler Tube	977 494385	Carburetor Gasket Kit
525 496113	Tube, Oil Filler	987 281166	** Seal, Throttle Shaft
535 272403	Element, Air Cleaner	1005 280687	Fan, Flywheel
537 281106	* O-Ring, Air Cleaner	1006 224413	Retainer, Fan
544 497603	Armature, Starter	1019 491255	Label Kit
552 231597	Bushing, Governor Crank	1044 94673	Screw, Hex Head
562 92613	Bolt, Governor Lever	1058 272697	Manual, Owner's
592 231082	Nut, Hex	1090 497607	Retainer, Brush
601 93053	Clamp, Fuel Pipe		
611 494451	Fuel Inlet Tube		RPM Settings: Low: 1550-1950; High: 3200-3400
614 93306	Cotter, Hair Pin		
618 262803	Spring, Choke Return		* Included in Gasket Set (497535)
634 281168	** Seal, Choke Shaft		** Included in Carburetor Overhaul Kit (495799)
634A 491323	* Seal, Governor		*** Included in both Carburetor Overhaul Kit (497535) and Carburetor Gasket Set (494385)
634B 281167	** Washer, Throttle Shaft		
635 66538	Elbow, Spark Plug		
646 224546	Brace, Air Cleaner		
657 93496	Screw, Sems		
663 94620	Screw, Hex Head		
668 280848	Spacer		

NOTE: All component dimensions given in U.S. inches
1 inch = 25.4 mm