

# Operator's Manual



## LAWN TRACTOR

24.0 HP\* 42" Mower

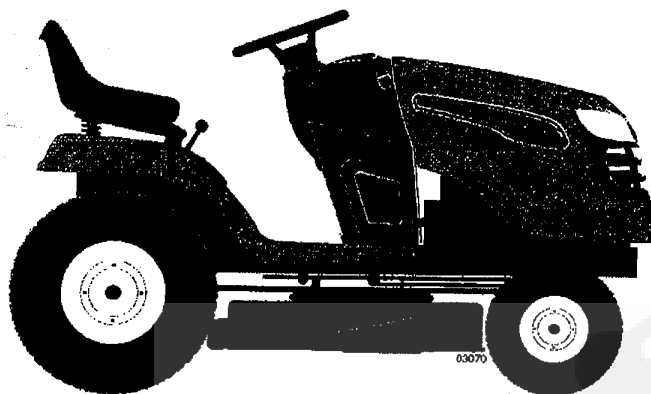
Electric Start

Automatic Transmission

Model No.

**917.28826**

• Español, p. 33



**This product has a low emission engine which operates differently from previously built engines. Before you start the engine, read and understand this Owner's Manual.**

### **IMPORTANT:**

Read and follow all Safety Rules and Instructions before operating this equipment.

For answers to your questions about this product, Call:

**1-800-659-5917**

Sears Craftsman Help Line

5 am - 5 pm, Mon - Sat

SEARS, ROEBUCK AND CO., HOFFMAN ESTATES, IL 60179 U.S.A.

Visit our Craftsman website: [www.sears.com/craftsman](http://www.sears.com/craftsman)

\*As rated by the engine manufacturer

Key Part #	Description
(NI) 166960	DECAL, BYPASS
(NI) 403869	DECAL, DECK PRCSN PLUS SEAR
(NI) 192870	MANDREL ASSEMBLY (INCLUDES HOUSING, SHAFT ASSEMBLY, AND BEARING ONLY - PULLE
(NI) 417680	MANUAL, OPERATOR'S (ENG/SPAN)
(NI) 417681	MANUAL, PARTS
(NI) 193226X428	PAD, FOOTREST LH
(NI) 193227X428	PAD, FOOTREST, RH
(NI) 403066	REPLACEMENT MOWER, COMPLETE
(NI) 144334	SEALANT, TIRE (10 OZ. TUBE)
1 144927	BATTERY
1 59192	CAP, VALVE, TIRE
1 196495	DECK WELDMENT MOWER
1 N/P	ENGINE BRIGGS MODEL NO. 445677-0827-B1
1 406622	SEAT
1 408799	TRANSAXLE, HYDRO GR T2
1 186093X428	WHEEL, STEERING
2 184706	AXLE ASSEMBLY, FRONT
2 72140506	BOLT 5/16-18 X 3/4
2 74760412	BOLT HEX HEAD 1/4-20 X 3/4
2 180166	BRACKET PIVOT FENDER
2 194263	DRAWBAR
2 123583X	KEY
2 149723	MUFFLER
2 195223	SHAFT ASSEMBLY, LIFT
2 65139	STEM, VALVE
3 410546	DECAL, SIDE PANEL
3 195231	LEVER ASSEMBLY, LIFT RH
3 106732X624	RIM ASSEMBLY, FRONT
3 140675	STRAP, ASSEMBLY FENDER
4 411697	DECAL, FENDER
4 403087	SPINDLE ASSEMBLY, LH
4 59904	TUBE, FRONT
5 407235X428	DASH
5 138047	DECAL, BATTERY
5 403088	SPINDLE ASSEMBLY, RH
5 106222X	TIRE, FRONT
6 195186	ARM SUSPENSION
6 6266H	BEARING, RACE, THRUST HARDEN
6 411657	DECAL, FENDER OPERATOR'S
6 278H	FITTING, GREASE
6 STD541437	NUT, LOCK W/INS. 3/8-16 UNC
7 9040H	BEARING, FLANGE
7 403412	DECAL, LOWER DASH
7 196492X428	GRIP, LEVER
7 416358	SCREW #10 X 0.750 BOS THREAD
7 124181X	SPRING, SEAT CPRSN
7 121748X	WASHER 25/32 X 1-5/8 X 16 GA.
8 171877	BOLT 5/16-18 UNC X 3/4 W/SEMS
8 193003	BOLT/WASHER ASSEMBLY 7/16-20 UNF
8 186491	BOX BATTERY
8 104757X428	CAP, AXLE (FRONT WHEEL ONLY)
8 199135	DECAL, V-BELT SCHEMATIC
8 12000029	RING, CLIP #T5304-75
9 184946X505	CAP, SPINDLE
9 149516	DECAL, BATTERY DNGE/POI
9 194319	KEEPER BELT ENGINE
9 106268X	TIRE, REAR
10 409712	DECAL, ENG. HP
10 169677	PAN, SEAT

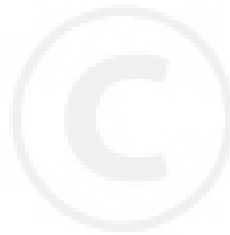
Key Part #	Description
10 196314	SPRING TORSION
10 7152J	TUBE, REAR
11 138971	BLADE, 42" HI-LIFT (FOR BAGGING OR DISCHARGE)
11 417976	DECAL, REPLACEMENT
11 106108X624	RIM ASSEMBLY, REAR
11A 134149	BLADE, 42" MULCHING STD (FOR MULCHING MOWERS ONLY)
11B 139775	BLADE, 42" MULCHING PREMIUM (FOR BETTER WEAR WHEN MULCHING)
12 133644	DECAL, CUSTOMER MAINT.
12 401985	PULLEY ENGINE
13 164065	DECAL, STEERING WHEEL
13 192872	SHAFT ASSEMBLY, MANDREL
13 121749X	WASHER 25/32 X 1-1/4 X 16 GA.
14 160396	DECAL, MOWER SCHEMATIC
14 404654X612	HOOD
14 187281	HOUSING, MANDREL
14 STD551137	WASHER, LOCK HVY HLCL SPR 3/8
15 110485X	BEARING, BALL, MANDREL
15 73540600	NUT, CROWN LOCK 3/8-24 UNF
15 400021	TANK FUEL
15 19131316	WASHER 13/32 X 13/16 X 16 GA.
16 408219	SHAFT STEERING
16 174493	STRIPPER, MOWER DECK
16 176138	SWITCH INTERLOCK PUSH-IN
17 197296	SPRING, BRAKE
18 195951	CAP ASSEMBLY
18 405013	GRILLE ASSEMBLY (INCLUDES KEY NOS. 153, 207, 208 AND 226)
19 196539	BOLT, SHOULDER
19 194729	PLATE STEERING
20 159770	BAFFLE, VORTEX
20 199676X428	BOOT, STEERING
20 175437X428	CONTROL THROTTLE
21 186737	ADAPTER, WHEEL STEERING
21 171852	BOLT, SHOULDER 5/16-18
21 400252	HARNES SOCKET LIGHT W/4152J
21 STD541431	NUT, CROWN LOCK 5/16-18 UNC
21 416358	SCREW #10 X 0.750 ROS THREAD
22 4152J	BULB LIGHT
22 194845	BUSHING, STRG. BLK
22 187767X428	CONTROL CHOKE
22 197660	ROD SHIFT
23 192557	BRACKET, DEFLECTOR
23 140845	KNOB
24 400253	CABLE BATTERY
24 105304X	CAP, SLEEVE
25 412895	CABLE STARTER
25 197026	SPRING, TORSION, DEFLECTOR
26 175158	FUSE
26 186095X428	INSERT, WHEEL STEERING
26 110452X	NUT, PUSH
27 STD541425	NUT KEPS HEX 1/4-20 UNC
27 193108X428	SHIELD, DEFLECTOR
28 145491	CABLE, GROUND
28 401135	FUEL LINE
28 17000612	SCREW 3/8-16 X 3/4
29 408391	ROD, BRAKE
29 131491	ROD, HINGE
29 137180	SPARK ARRESTER KIT
29 401545	SWITCH, SEAT
30 173984	SCREW THDROL ROLLING WSH HD

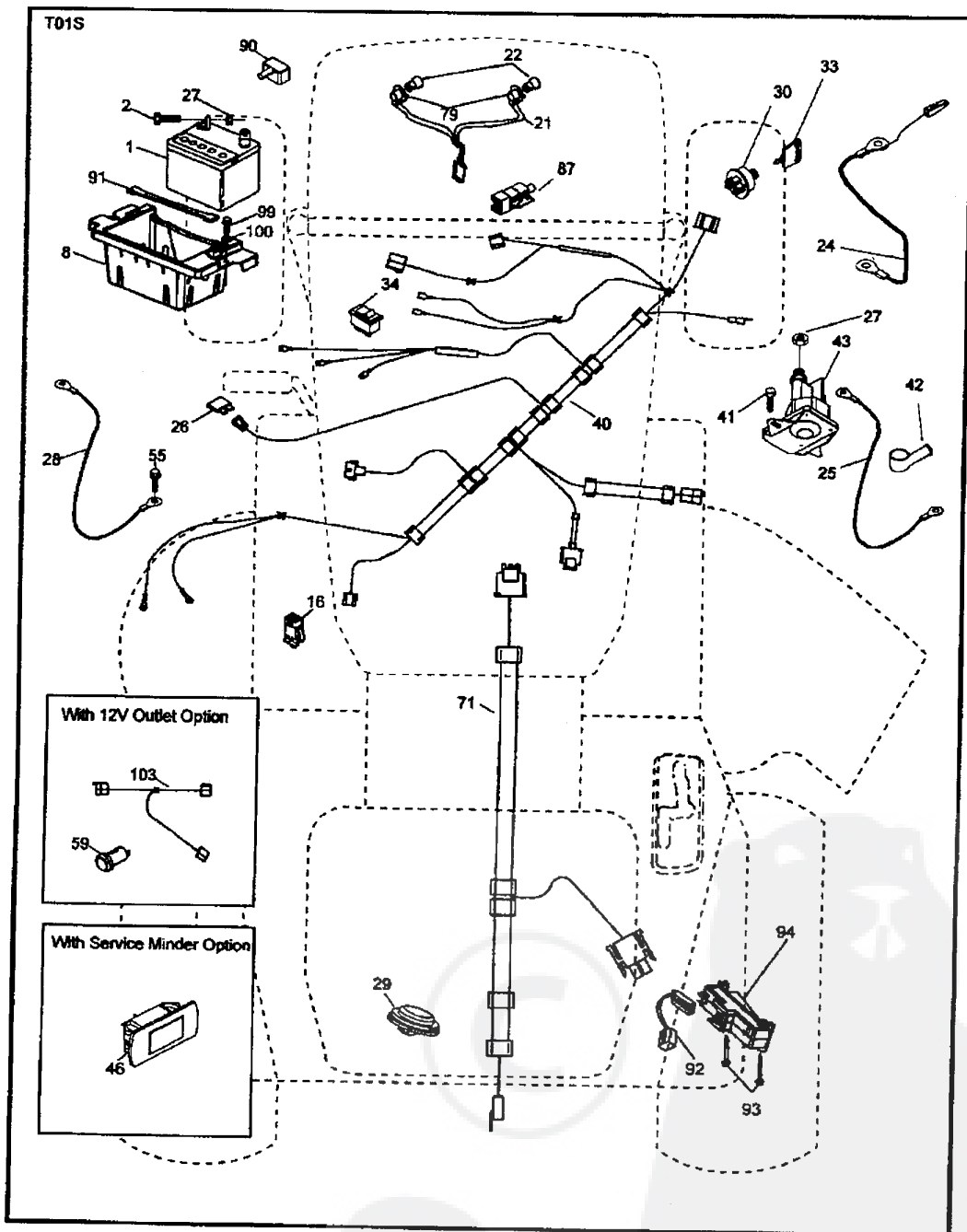
Key Part #	Description
30 193350	SWITCH, IGNITION
31 187690	WASHER, SPACER
32 197473	PULLEY, MANDREL
33 411932	KEY/CHAIN
33 400234	NUT, TOPLOCK, FLANGED
33 12000001	RING E
34 72110612	BOLT CARR SH. 3/8-16 X 1-1/2 GR.5
34 110712X	SWITCH LIGHT/RESET
35 194732	GEAR, SECTOR PLATE
35 199591	ROD, BRAKE, PARK
36 193197	PULLEY, IDLER, FLAT
36 17060512	SCREW 5/16-18 X 3/4
37 123487X	CLAMP HOSE
37 193217X612	FENDER
37 STD541437	NUT, LOCK 5/16-18 UNC
37 STD551037	WASHER
37 121749X	WASHER 25/32 X 1 1/4 X 16 GA.
38 199189	KEEPER BELT LH MANDREL
40 197661	HANDLE SLIDE SEAT
40 401098	HARNESS IGNITION DASH
40 73900600	NUT, LOCK FLG. 3/8-16 UNC
41 17720408	SCREW THD CUT 1/4-20 X 1/2
41 198200	SPRING LATCH SEAT
42 8883R	COVER, FOOT PEDAL
42 131563	COVER, TERMINAL
42 198410	SPRING TORSION BRAKE
42 STD551143	WASHER LOCK 7/16
43 STD523707	BOLT FIN HEX 3/8-16 UNC X 3/4
43 192507	SOLENOID
43 197256	SPRING TORSION RETAINER
44 19133812	WASHER 13/32 X 2-3/8 X 12 GA.
45 STD541425	NUT KEPS HEX 1/4-20 UNC
45 19183812	WASHER 9/16 X 2-3/8 X 12 GA.
46 401763	GAUGE HOURMETER
46 137729	SCREW THD ROLL 1/4-20 X 5/8
47 197250	BRACKET CLUTCH CABLE
49 72110614	BOLT
50 73900600	NUT LOCK 3/8-16 UNC
50 194327	PULLEY IDLER FLAT
51 73900600	LOCK NUT 3/8-16
51 STD541350	NUT HEX JAM TOPLOCK 1/2-20 UNF
52 194326	IDLER V-GROOVE 910" OFFSET
53 188967	WASHER HARDENED .793 X .637 X .060
54 STD523722	BOLT HEX 3/8-16 UNC X 2-1/4
55 197249	ARM, IDLER
55 17060512	SCREW 5/16-18 X 3/4
55 197636	SPACER BRACE AXLE
56 199092	SPACER, RETAINER
56 125907X	V-BELT, DRIVE
57 407465	BRACKET UPSTOP
57 17000616	SCREW 3/8-16 X 1
58 194747	BOLT SHOULDER SECTOR PIVOT CFM
59 141043	GUARD, TUV IDLER
59 194748	WASHER THRUST SECTOR STEERING
60 197261	ARM BRAKE MOWER
60 73971000	NUT FLANGE LOCK 5/8-11
61 194740	DRAGLINK, LH
62 STD533720	BOLT RD HD SQ NK 3/8-16 UNC X 2
62 194741	DRAGLINK, RH

Key Part #	Description
62 146629	SHIELD HEAT MUFFLER
63 199477	ARM BRAKE MOWER
63 17000512	SCREW 5/16-18 X 3/4
64 199790	LINK BRAKE ASSEMBLY
64 199849	RETAINER CLIP SPRING STEERING
64 196200	SHAFT ASSEMBLY PEDAL BRAKE CONTROL
65 194734	BRACE AXLE FRONT
66 71020748	BOLT HEX FGHD 7/16-14 X 3 SERR
67 194737	BUSHING PM FRONT AXLE
67 198398X428	HANDLE CLUTCH CABLE
68 73900700	NUT LOCK FLANGE 7/16-14 GR. 5
68 17490508	SCREW THDROL 5/16-18 X 1/2
68 197253	V-BELT
69 STD533106	BOLT
69 165391	GASKET
69 199162	WASHER 1.5 X .505 X .118
70 196197	BRACKET DECK SUSP. FRONT
70 199972	CLUTCH ASSEMBLY MANUAL
70 193220X428	CONSOLE
70 159955	EXHAUST TUBE LH
71 160589	EXHAUST TUBE RH
71 194276	HARNESS IGNITION CHASSIS
73 74490544	BOLT HEX FLGHD 5/16-18 GR. 5
74 142432	SCREW 1/4 X 1/2
78 57079	WASHER THRUST
79 183906	SCREW 5/16-18 X 1
79 175242	SOCKET ASSEMBLY BULB TWISTLOCK
80 408393	STRAP TORQUE
81 148456	TUBE DRAIN OIL EASY
82 181654	PLUG DRAIN OIL
83 171877	BOLT 5/16-18 UNC X 3/4 W/SEMS
84 17060620	SCREW 3/8-16 X 1-1/4
85 173937	BOLT 7/16-20 X 4 X GR.5-1.5
87 194209	PIN COTTER 7/16 BOW TIE LOCK
87 197802	SWITCH INTERLOCK CLUTCH CABLE
88 410710	SPRING LIFT ASSIST
89 19191912	WASHER CLEAR ZINC
90 400724	COVER TERMINAL BATTERY
90 194208	PIN COTTER 5/16 BOW TIE LOCK
90 17000616	SCREW 3/8-16 X 1
91 195181	LINK ASSEMBLY LIFT REAR
91 190270	STRAP BATTERY
92 196615	HARNESS PIGTAIL
93 192540	SCREW PLASTITE 10-14 X 2.0
94 191834	MODULE REVERSE ROS
97 17000612	SCREW 3/8-16 X .75 R.Z.
98 195270	LINK LIFT SUSP. FRONT MOWER
99 408418	ROD ASSEMBLY BYPASS
99 17670412	SCREW 1/4-20 X 7/8 X 16 GA.
100 73930600	NUT CENTERLOCK 3/8-16 UNC
100 19061416	WASHER 9/32 X 7/8 X 16 GA.
101 407003	LINK ASSEMBLY LIFT FIXED
111 404784	BRACKET WHEEL GAUGE LH
112 404785	BRACKET WHEEL GAUGE RH
113 17000510	BOLT 5/16-18
114 73800500	NUT LOCK 5/16-18 UNC
116 4898H	BOLT, SHOULDER
116 73900500	NUT LOCK HEX FLANGE 5/16-18
117 188606	WHEEL, GAUGE

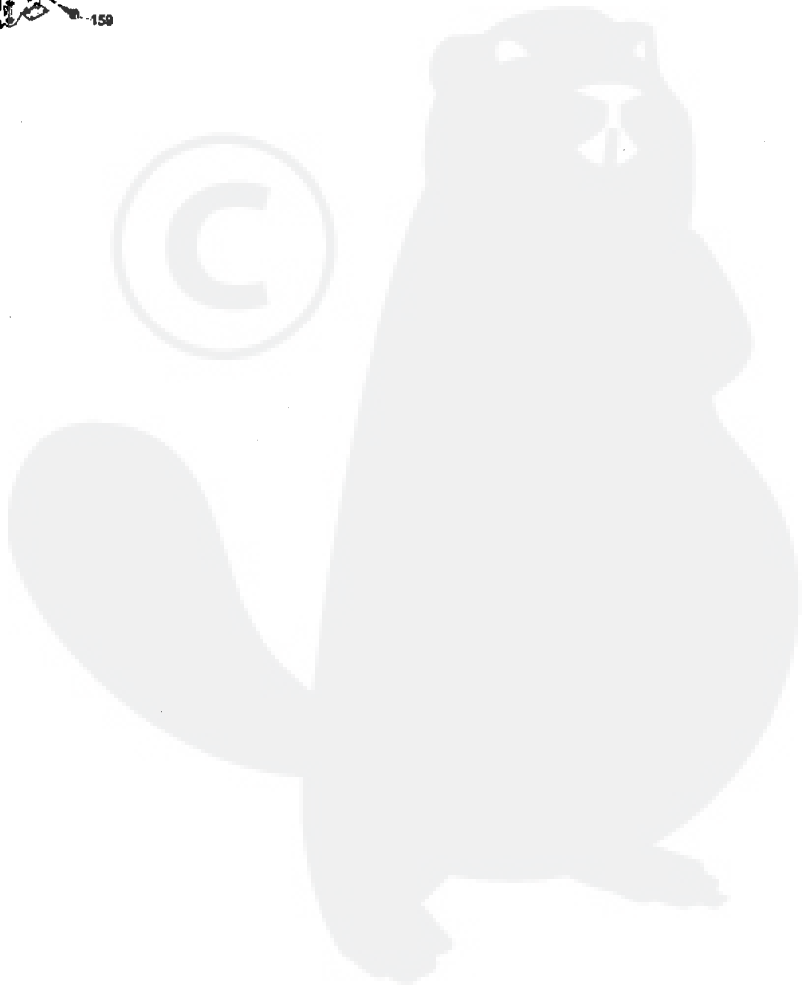
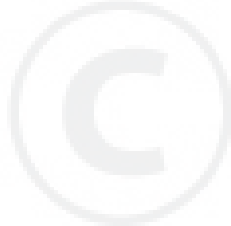
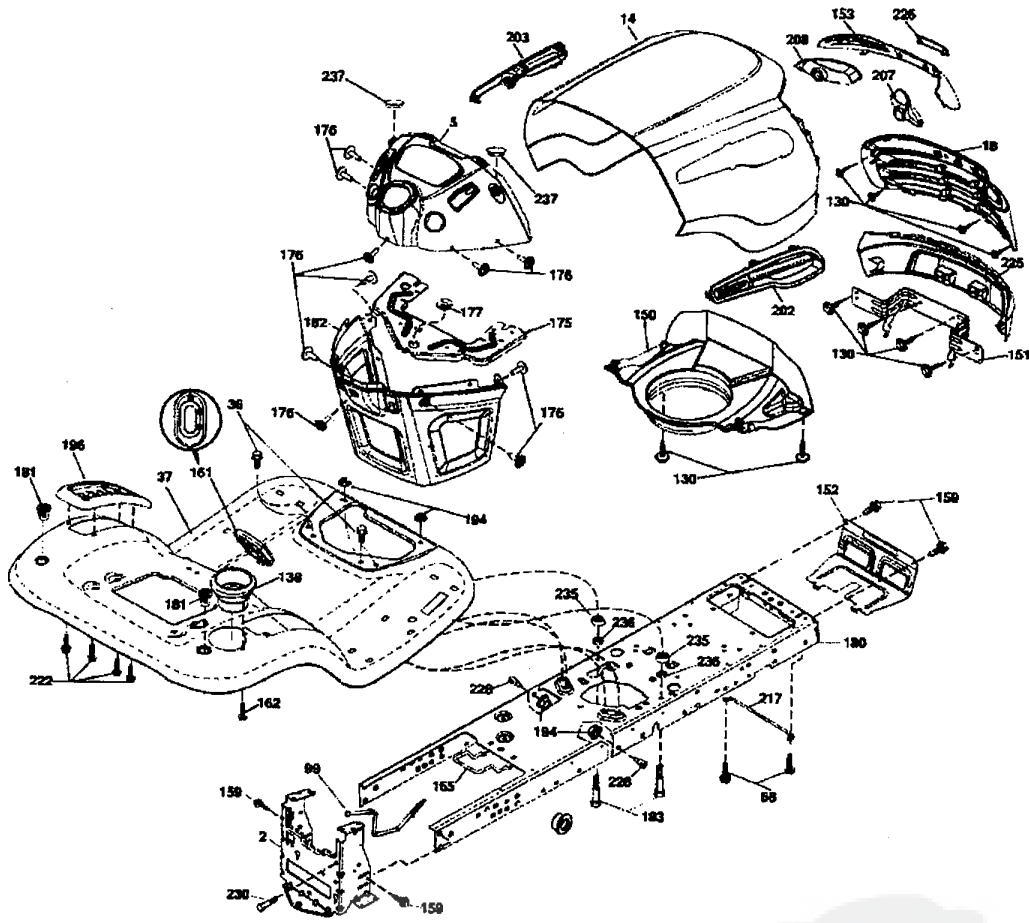
Key Part #	Description
118 STD541437	NUT, CROWNLOCK 3/8-16
119 STD551037	WASHER 13/32 X 7/8 X 14 GA.
121 175611	BRACKET STRAP TORQUE
122 72010520	BOLT 5/16-18 X 2.50
122 197258	KEEPER BELT ENGINE LH
123 197259	KEEPER BELT ENGINE RH
125 17000512	SCREW 5/16-18 X 3/4
130 416358	SCREW #10 X 0.750 BOS THREAD
138 193224X428	CUPHOLDER
141 416977	KIT T2 ROS
144 199204	KEEPER BELT
145 197379	PULLEY IDLER
147 401971	SPRING RETURN
150 199411	DUCT HEAT HOOD
151 196332	BRACKET PIVOT
152 408714	MANUAL CLUTCH CABLE
152 194329	SHIELD BROWNING/DEBRIS
153 198965	LENS
153 4497H	RETAINER SPRING
159 76020412	PIN COTTER 1/8 X 3/4
159 17000612	SCREW HEXWSH THDROL 3/8-16 X 3/4
160 169484	RETAINER CLIP
161 105709X	SPRING, RETURN, CLUTCH
161 193229X428	WINDOW FUEL
162 408784	ADAPTER TRANSAXLE
162 142432	SCREW HEX WSH HI-LO 1/4 X 1/2 UNC
163 413322	ROD PEDAL CONTROL
165 196212	BUSHING
165 194330	SUPPORT TANK REAR
166 197290	NUT, PUSH
167 405257	LATCH BRAKE PARKING
170 413430	KEEPER BELT CENTERSPAN
171 72110622	BOLT
174 197289	NUT PUSH
175 196304	CROSSMEMBER
175 408539	SHAFT ASSEMBLY SHIFT
176 196214	ARM CLEVIS ROD SHIFT
176 400776	SCREW 10-24 X 5/8 WSHD QDRX
177 195227	BUSHING STEERING
178 197456	SPRING SHIFT
180 194260	CHASSIS
181 193102X428	BUSHING MTG. FENDER CRGO.
182 406859	DASH LOWER
183 STD523112	BOLT FIN HEX 5/16-18 X 1-1/4
183 156972	SPACER AXLE
184 196439X505	HANDLE PARKING BRAKE
185 72110620	BOLT
186 194321	SPACER RETAINER
187 19133210	WASHER
188 194323	LINK CLUTCH GROUND DRIVE
188 195161	STUD FASTENER
189 194317	BELLCRANK GROUND DRIVE
189 73900500	NUT LOCK HEX FLANGE
190 194318	KEEPER BELLCRANK GROUND DRIVE
192 197260	BRACKET BRAKE STAND LH
194 73900500	NUT LOCK HEX FLANGE 5/16-18
195 401556X428	PLUG HOLE DASH
195 17000612	SCREW HEX WSH THDR 3/8-16 X 3/4
196 196378X428	CONSOLE ASSEMBLY DECK LIFT

Key Part #	Description
202 198968X428	VENT SIDE HOOD RH
203 198969X428	VENT SIDE HOOD LH
205 121748X	WASHER
207 198963	BEZEL RH
208 198964	BEZEL LH
217 409167	ROD PIVOT CHASSIS
221 403187	RETAINER SPRING CLIP HANDLE
222 137729	SCREW THD ROLL 1/4-20 X 5/8
225 198962X612	BUMPER
226 198967X428	LOGO
228 195161	STUD FASTENER
230 170165	BOLT SHOULDER 5/16-18
231 407287	IDLER V-GROOVE 1.688" OFFSET
232 74780616	BOLT 7/616-14 X 1 GR.5
233 405296	WASHER SERRATED
235 406129	SPACER FENDER
236 73930500	NUT LOCK 5/16-18 UNC
237 403704	PLUG MOUNT CARGO
279 408538	LINK SHIFT
289 199783X428	PLUG CRUISE/PHONE

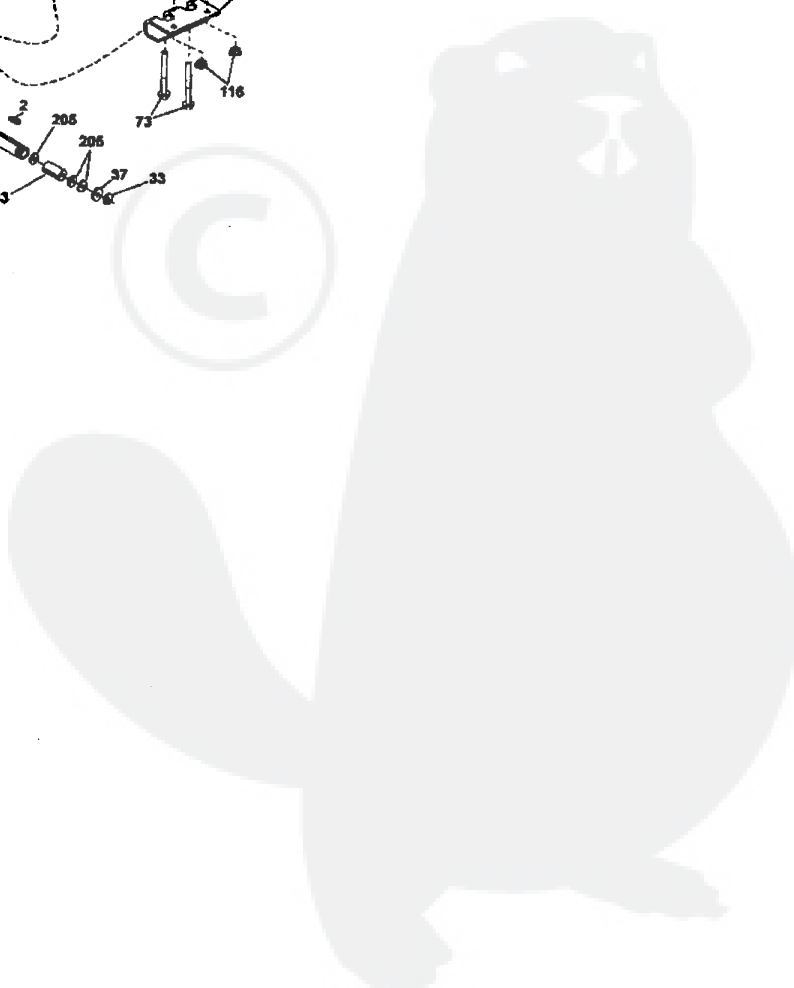
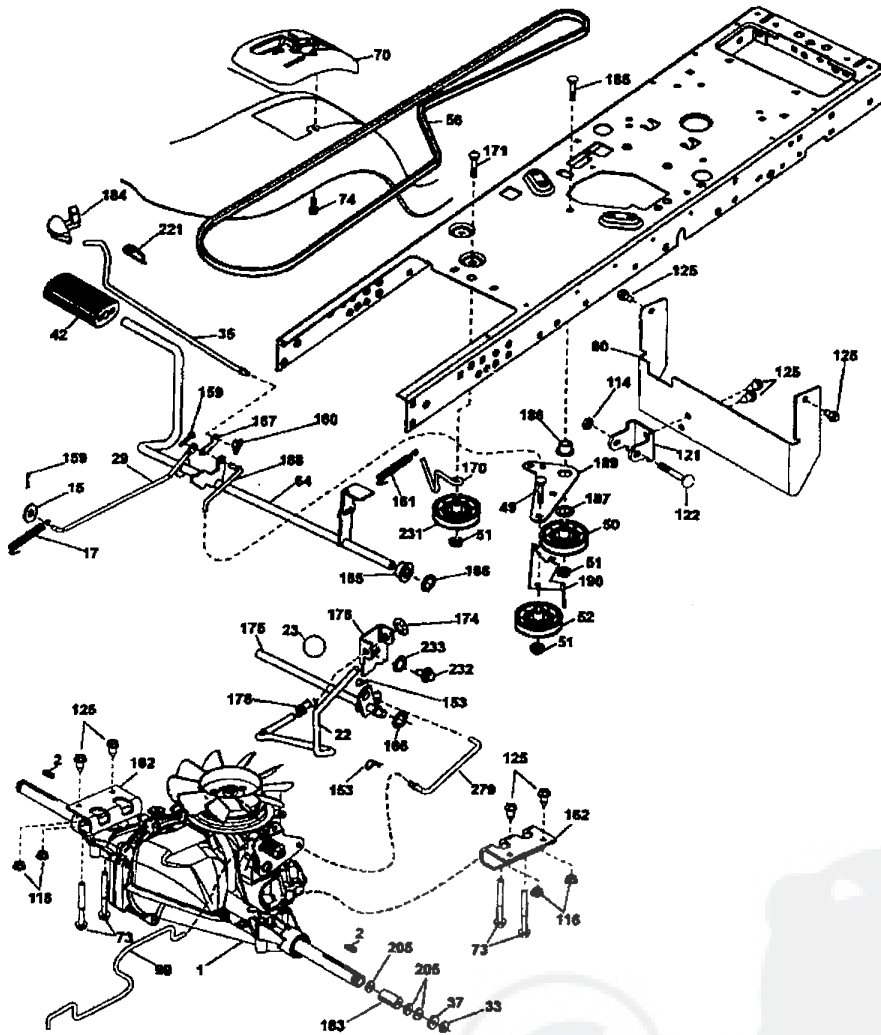


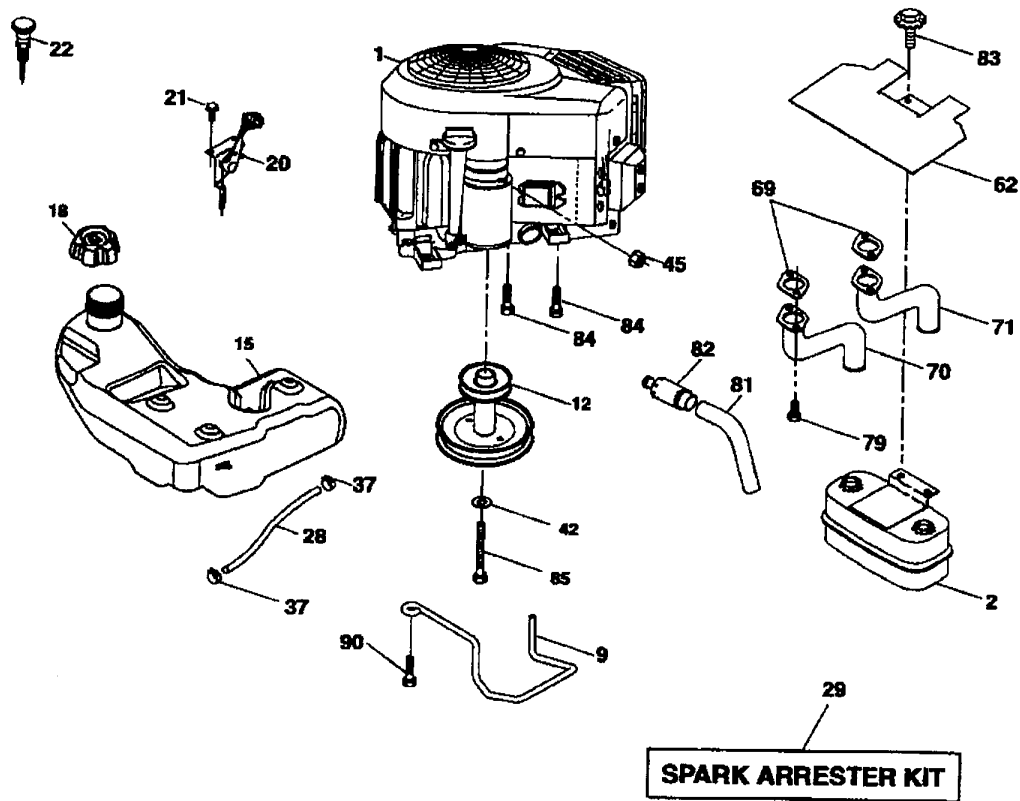












**Engine Power Rating Information**

The gross power rating for individual gas engine models is labeled in accordance with SAE (Society of Automotive Engineers) code J11940 (Small Engine Power & Torque Rating Procedure), and rating performance has been obtained and corrected in accordance with SAE J1995 (Revision 2002-5). Actual gross engine power will be lower and is affected by, among other things, ambient operating conditions and engine-to-engine variability. Given both the wide array of products on which engines are placed and the variety of environmental issues applicable to operating the equipment, the gas engine will not develop the rated gross power when used in a given piece of power equipment (actual "on-site" or net horsepower). This difference is due to a variety of factors including, but not limited to, accessories (air cleaner, exhaust, charging, cooling, carburetor, fuel pump, etc.), application limitations, ambient operating conditions (temperature, humidity, altitude), and engine-to-engine variability. Due to manufacturing and capacity limitations, Briggs & Stratton may substitute an engine of higher rated power for this Series engine.

