

REPAIR PARTS MANUAL
MODEL NO. 288160
Lawn Tractor



HOW TO USE THIS MANUAL

This manual is designed to provide the customer with a means to identify the parts on his/her tractor when ordering repair parts. The illustrations may or may not represent the actual assemblies; therefore, it is not recommended to use this manual as a guide to assemble or disassemble the tractor. Some hardware and parts are drawn larger in order to more readily identify them.

Each tractor has its own model number.

The model number for your tractor can be found on the fender under the seat.

When ordering parts, always give the following information:

- Product - "Tractor"
- Model Number - "288160"
- Part Number
- Part Description

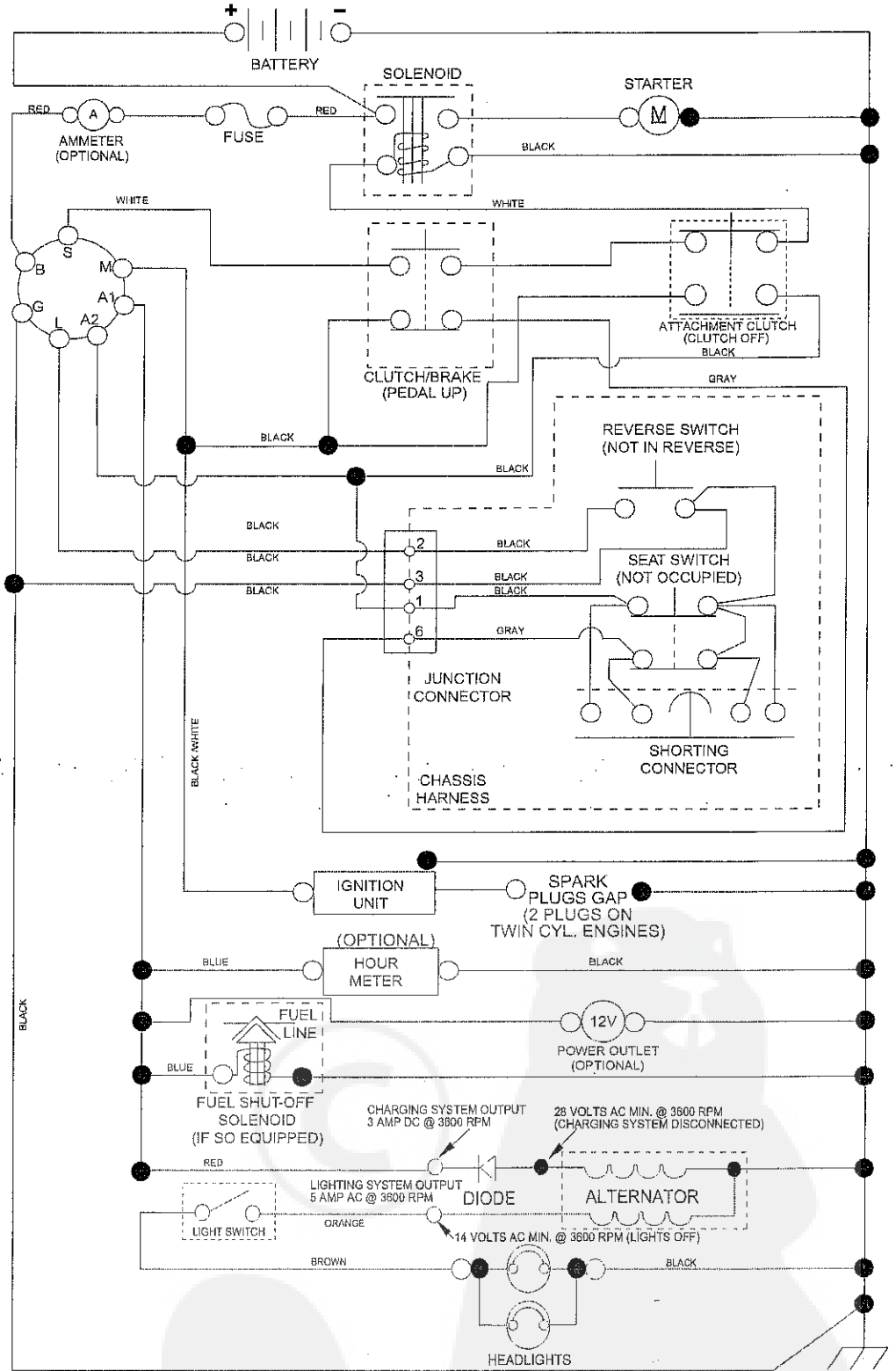
TABLE OF CONTENTS

SCHEMATIC	3
ELECTRICAL.....	4-5
CHASSIS	6-7
DRIVE.....	8-9
ENGINE.....	10-11
STEERING	12-13
SEAT	14
DECALS.....	15
MOWER DECK	16-17
MOWER LIFT.....	18-19
TRANSAXLE BREAKDOWN	20-21
ENGINE BREAKDOWN.....	22-26
WARRANTY.....	BACK COVER

TRACTOR - - MODEL NO. 917.288160

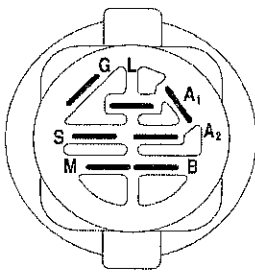
SCHEMATIC

SCH11



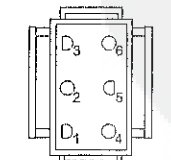
NOTE

YOUR TRACTOR IS EQUIPPED WITH A SPECIAL ALTERNATOR SYSTEM. THE LIGHTS ARE NOT CONNECTED TO THE BATTERY, BUT HAVE THEIR OWN ELECTRICAL SOURCE. BECAUSE OF THIS, THE BRIGHTNESS OF THE LIGHTS WILL CHANGE WITH ENGINE SPEED. AT IDLE THE LIGHTS WILL DIM. AS THE ENGINE IS SPEEDED UP, THE LIGHTS WILL BECOME THEIR BRIGHTEST.

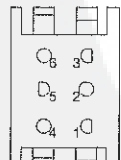


IGNITION SWITCH

POSITION	CIRCUIT	"MAKE"
OFF	M+G+A1	
RUN/OVERRIDE	B+A1	
RUN	B+A1	L+A2
START	B+S+A1	



CHASSIS HARNESS CONNECTOR (MATING SIDE)



DASH HARNESS CONNECTOR (MATING SIDE)

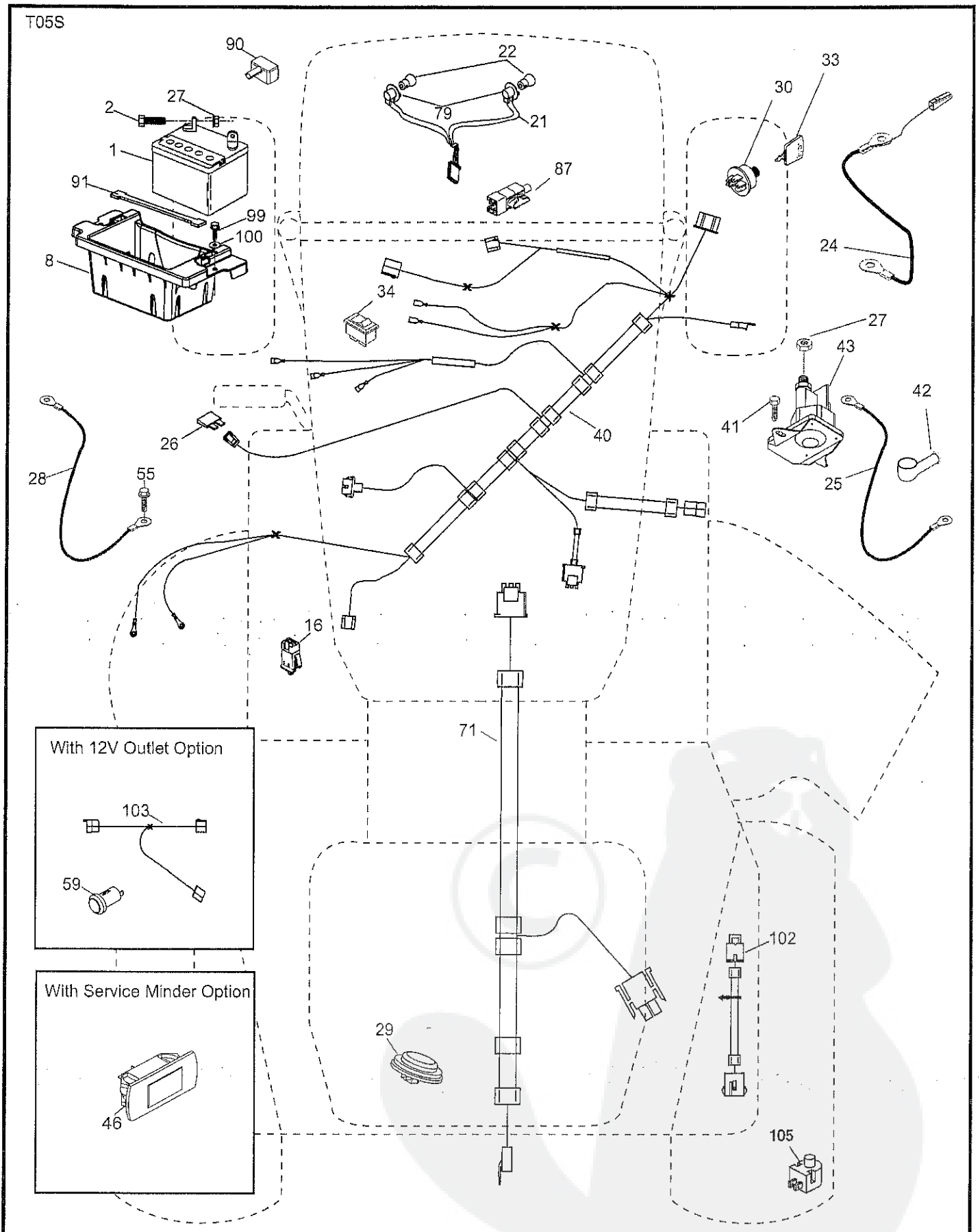
WIRING INSULATED CLIPS
NOTE: IF WIRING INSULATED CLIPS WERE REMOVED FOR SERVICING OF UNIT, THEY SHOULD BE RE-INSTALLED TO PROPERLY SECURE YOUR WIRING.

NON-REMOVABLE CONNECTIONS

REMOVABLE CONNECTIONS

TRACTOR - - MODEL NO. 917.288160

ELECTRICAL

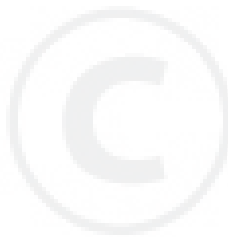


TRACTOR - - MODEL NO. 917.288160

ELECTRICAL

KEY PART NO.	PART NO.	DESCRIPTION
1	163465	Battery
2	74760412	Bolt Hex Hd 1/4-20 unc x 3/4
8	186491	Box Battery
16	176138	Switch Interlock Push-In
21	400252	Harness Socket Light w/4152J
22	4152J	Bulb Light
24	400253	Cable Btry.
25	412895	Cable Starter
26	175158	Fuse
27	73510400	Nut Keps Hex 1/4-20 unc
28	145491	Cable, Ground
29	401545	Switch, Seat
30	193350	Switch, Ign
33	411932	Key/Chain
34	110712X	Switch Light / Reset
40	401098	Harness Ign. Dash
41	17720408	Screw Thd Cut 1/4-20 x 1/2
42	131563	Cover, Terminal
43	192507	Solenoid
46	401763	Gauge SRVCMNDR HRMTR
55	17060512	Screw Thdrol 5/16-18 x 3/4 TYTT
71	194276	Harness Ign. Chassis
79	175242	Bulbholder Asm. Incan Descent
87	197802	Switch Interlock Clutch Cable
90	435395	Cover Terminal Battery
91	190270	Strap Btry.
99	17670412	Screw Hexwsh Thdrol 1/4-20 x 3/4
100	19091416	Washer 9/32 x 7/8 16 Ga.
102	404454	Harness Pigtail
105	407568	Switch Reverse

NOTE: All component dimensions given in U.S. inches.
1 inch = 25.4 mm.



TRACTOR - - MODEL NO. 917.288160
CHASSIS AND ENCLOSURES

KEY NO.	PART NO.	DESCRIPTION
5	421810X428	Dash
14	421154X615	Hood
15	421493X599	Lens LH
18	441721X428	Grille
25	421494X599	Lens RH
34	196125	Plate Engine
36	17060512	Screw 5/16-18 x 3/4
37	414878X615	Fender
52	73680500	Nut Crown Lock 5/16-18
68	17490508	Screw Thdrol 5/16-18 x 1/2
130	416358	Screw # 10 x .750 BOS Thread
138	193224X428	Cupholder
150	199411	Duct Heat Hood
151	196332	Bracket Pivot
152	199535	Shield Browning/Debris
159	17000612	Screw Hexwsh Thdrol 3/8-16 x 3/4
161	193229X428	Window Fuel
162	142432	Screw Hex Wsh Hi-Lo 1/4 x 1/2
165	196826	Support Tank Rear
175	196304	Crossmember
176	400776	Screw 10-24 x 5/8 Wshd Qdrx
177	195227	Bushing Steering
180	195457	Chassis
181	193102X428	Bushing Mtg. Fender Crgo.
182	406859	Dash Lower
183	74520520	Bolt 5/16-18 x 1-1/4
189	17000512	Screw 5/16 - 18 x 3/4
191	425407	Insert Reflective RH
194	73900500	Nut Lock Hex Flange 5/16-18
195	401556X428	Plug Hole Dash 12V Adapter
196	414579	Console Asm. Deck Lift
202	441724X428	Vent Side Hood RH
203	441725X428	Vent Side Hood LH
213	74760512	Bolt hex HD 5/16-18 unc x 3/4
217	409167	Rod Pivot Chassis
218	196395	X piece hood stop
228	195161	Stud Fastener
235	406129	Spacer Fender
236	73930500	Nut Center Lock 5/16-18
237	403704	Plug Mount Cargo
287	17600406	Screw Hex Washhead 1/4-20 x 3/8
297	425406	Insert Reflective LH
314	441669	Skirt SD LH
315	441668	Skirt SD RH
317	421258X615	Cap Corner LH
318	421257X615	Cap Corner RH

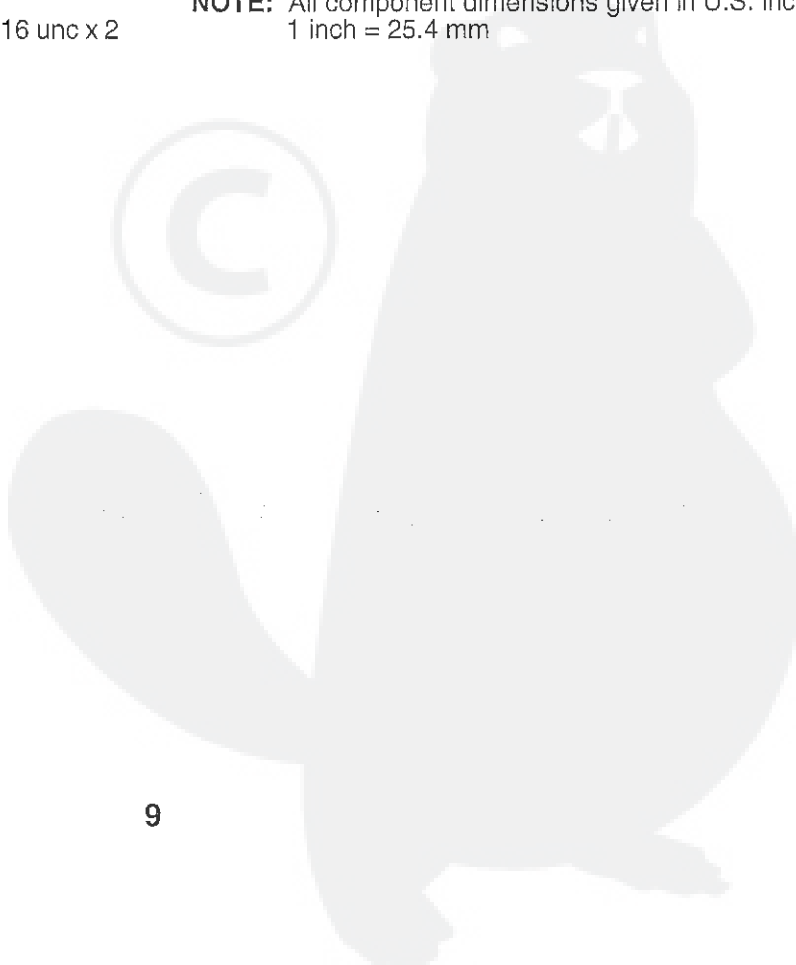
NOTE: All component dimensions given in U.S. inches.
1 inch = 25.4 mm.

TRACTOR - - MODEL NO. 917.288160

DRIVE

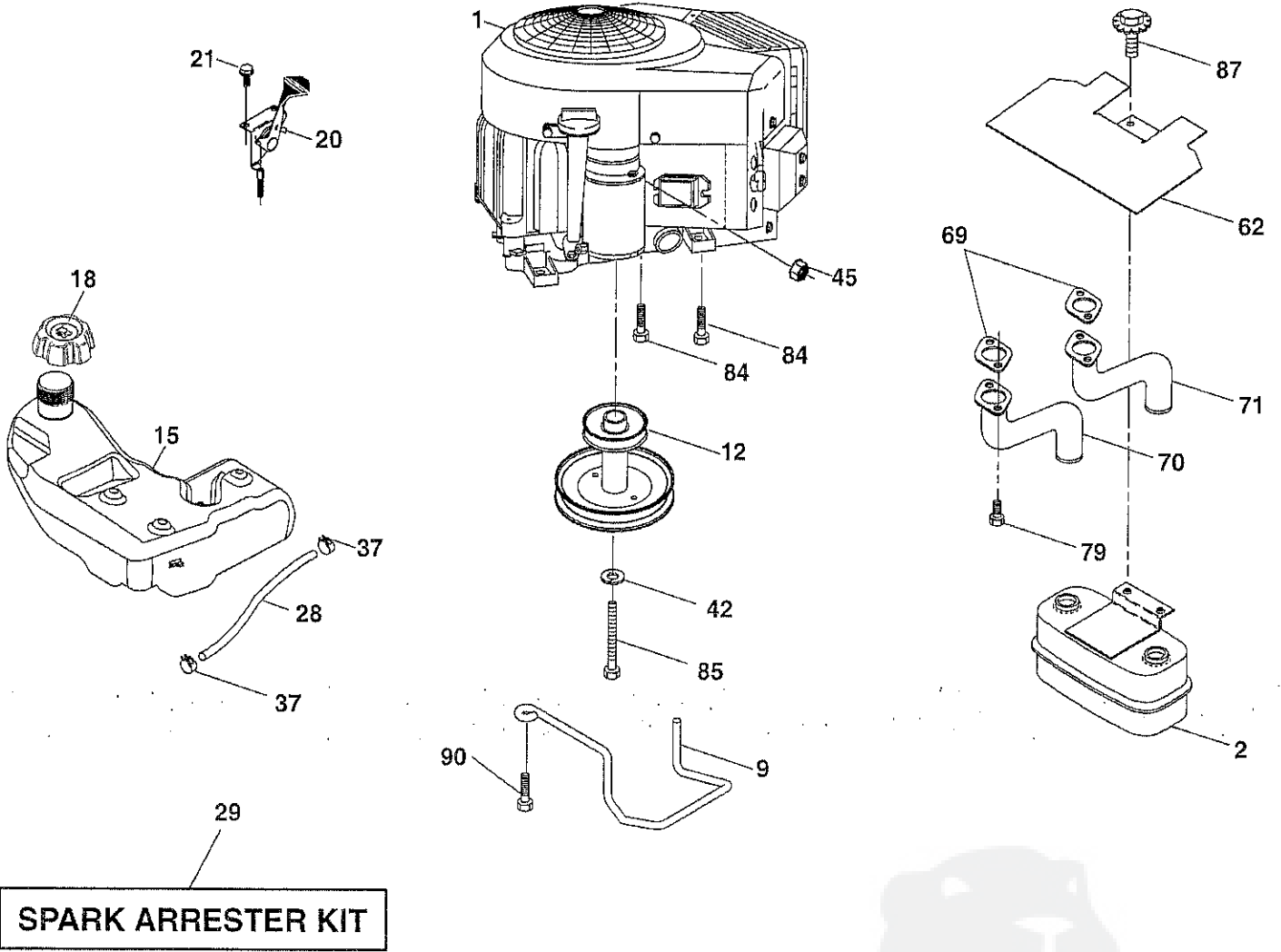
KEY NO.	PART NO.	DESCRIPTION	KEY NO.	PART NO.	DESCRIPTION
1	---	Transaxle, TUFFTORQ K46 BT (426120) (See transaxle breakdown)	183	137057	Spacer Split
2	123583X	Key	184	196439X667	Handle Parking Brake
15	19131316	Washer 13/32 x 13/16 x 16 Ga.	185	72110622	Bolt 3/8-16 x 2-3/4 Gr. 5
17	413678	Spring, Brake	186	194321	Spacer Retainer
26	199679	Spring Return Cruise	187	19133210	Washer
29	403806	Rod, Brake	188	194323	Link Clutch Ground Drive
33	12000001	Ring E	189	194317	Bellcrank Ground Drive
35	435486	Rod, Brake, Park	190	194318	Keeper Bellcrank Ground Drive
42	8883R	Cover, Foot Pedal	205	121748X	Washer
49	72110614	Bolt	206	197867	Bracket Mount Latch Cruise
50	194327	Pulley Idler Flat	207	197868	Latch Control Cruise
51	73900600	Lock Nut 3/8-16	208	197869	Gear Sector Control Cruise
52	194326	Idler V-Groove 910" Offset	209	199592	Rod Control Cruise
56	130969	V-Belt, Drive	210	400980	Rocker Asm. Pedal Control
64	197865	Shaft Asm. Pedal Brake Control	211	120183X	Bearing Nylon
73	74490544	Bolt 5/16-18 Gr. 5	213	196441X428	Knob Control Cruise
80	440619	Strap Torque	214	421263	Pedal Forward
92	74760520	Bolt Fin Hex 5/16-18 unc x 1.25	215	197301X428	Pedal Reverse
99	415742	Rod Spring Bypass	216	196131	Bracket Pulley Idler
116	73900500	Nut Lock Hex Flange 5/16-18	221	403187	Retainer Spring Clip Handle
125	17000512	Screw 5/16-18 x 3/4	222	79212010	Washer 21/32 x 1-1/4 x 10 Ga.
143	17490508	Screw 5/16-18 x 1/2	225	403319	Keeper Belt Trans.
153	4497H	Retainer Spring	226	401564	Bracket Mount Torque
159	76020412	Pin Cotter 1/8 x 3/4	227	17490512	Screw Thdrol 5/16-18 x 3/4
160	169484	Retainer Clip	230	188967	Washer
161	105709X	Spring, Return, Clutch			
163	401034	Rod Pedal Control			
166	429164	Nut Push .625			
167	405257	Latch Brake Parking			
170	194322	Keeper Belt Centerspan			
171	72110616	Bolt Rd. Hd. Sq. NK. 3/8-16 unc x 2			

NOTE: All component dimensions given in U.S. inches
1 inch = 25.4 mm



TRACTOR - - MODEL NO. 917.288160

ENGINE



engine-tex_bs-2cyl_43

TRACTOR - - MODEL NO. 917.288160

ENGINE

KEY PART NO.	NO.	DESCRIPTION
1	- - - -	Engine B&S Model No. 445677-2344-B1 (438233) (See Engine Breakdown)
2	149723	Muffler
9	194320	Keeper Belt Engine
12	405471	Pulley Engine
15	438080	Tank Fuel
18	430214	Cap Asm
20	421473X428	Control Throttle
21	416358	Screw 10 x .750 BOS Thread
28	8543R	Fuel Line
29	137180	Spark Arrester Kit
37	123487X	Clamp Hose
42	10040700	Washer Lock 7/16
45	73510400	Nut Keps Hex 1/4-20 unc
62	434017	Shield Heat Muffler
69	165391	Gasket
70	159955	Exhaust Tube LH
71	160589	Exhaust Tube RH
79	183906	Screw 5/16-18 x .75
84	17060620	Screw 3/8-16 x 1-1/4
85	173937	Bolt Hex 7/16-20 x 4 x Gr. 5-1.5
87	171877	Bolt 5/16-18 unc x 3/4 w/Sems
90	17000616	Screw 3/8-16 x 1.0

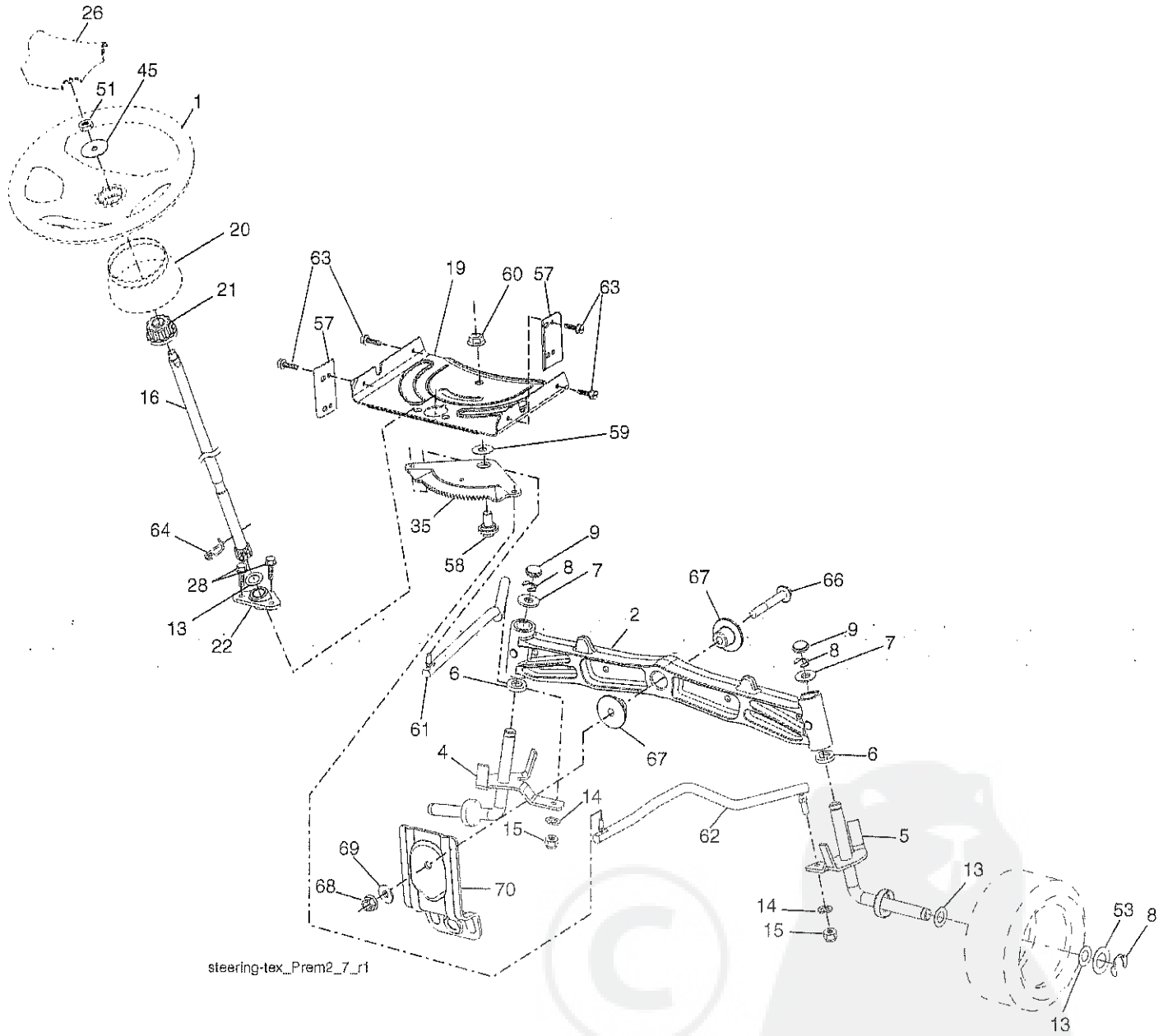
NOTE: All component dimensions given in U.S. inches
1 inch = 25.4 mm

Engine Power Rating Information

The gross power rating for individual gas engine models is labeled in accordance with SAE (Society of Automotive Engineers) code J1940 (Small Engine Power & Torque Rating Procedure), and rating performance has been obtained and corrected in accordance with SAE J1995 (Revision 2002-05). Torque values are derived at 3060 RPM; horsepower values are derived at 3600 RPM. Actual gross engine power will be lower and is affected by, among other things, ambient operating conditions and engine-to-engine variability. Given both the wide array of products on which engines are placed and the variety of environmental issues applicable to operating the equipment, the gas engine will not develop the rated gross power when used in a given piece of power equipment (actual "on-site" or net power). This difference is due to a variety of factors including, but not limited to, accessories (air cleaner, exhaust, charging, cooling, carburetor, fuel pump, etc.), application limitations, ambient operating conditions (temperature, humidity, altitude), and engine-to-engine variability. Due to manufacturing and capacity limitations, Briggs & Stratton may substitute an engine of higher rated power for this Series engine.

TRACTOR - - MODEL NO. 917.288160

STEERING ASSEMBLY



TRACTOR - - MODEL NO. 917.288160

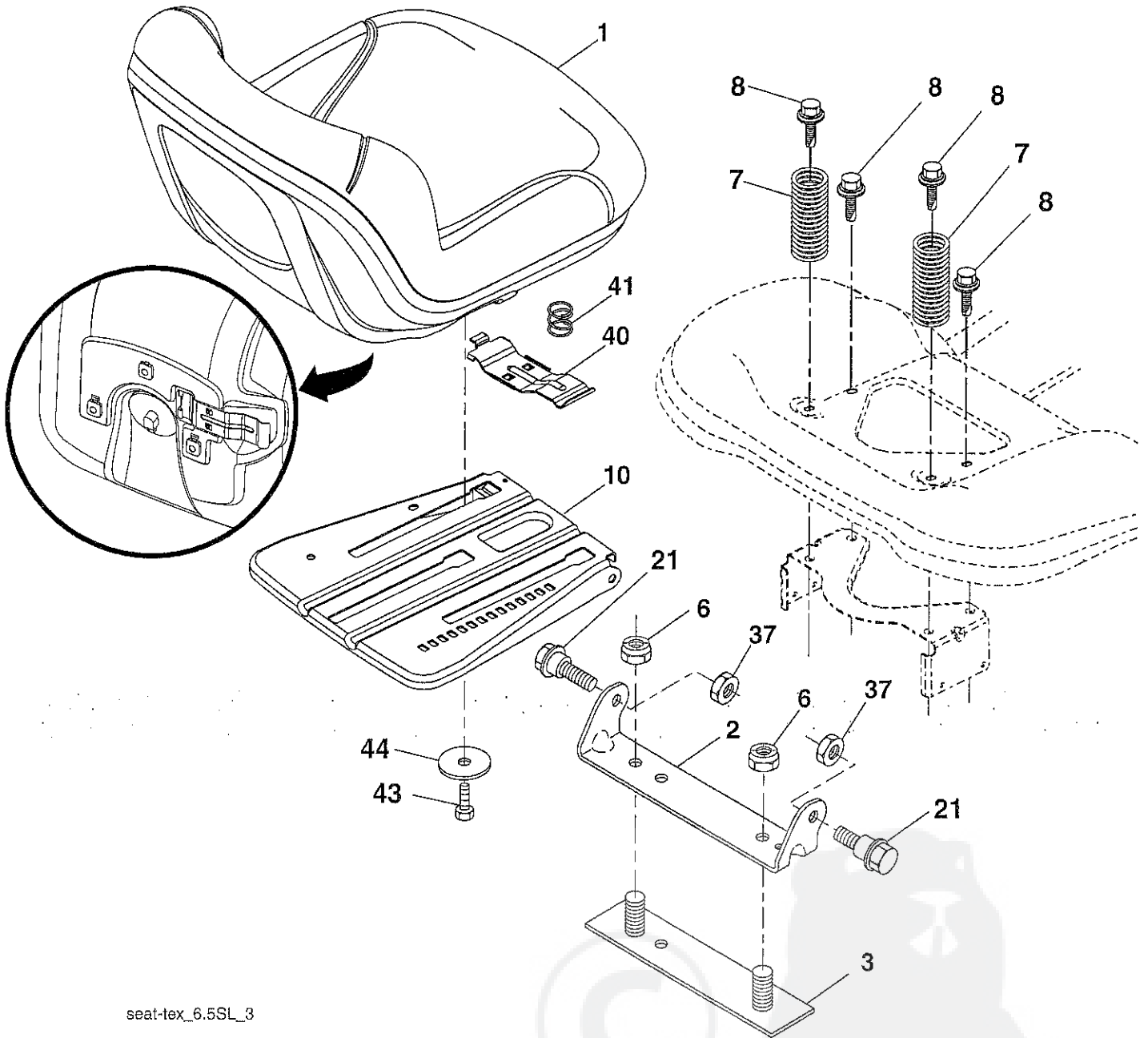
STEERING ASSEMBLY

KEY PART NO.	PART NO.	DESCRIPTION
1	414803X428	Wheel, Steering
2	195689	Axle Asm., Front
4	403087	Spindle Asm., LH
5	403088	Spindle Asm., RH
6	6266H	Washer Thrust 0.75 x 1.23
7	121748X	Washer 25/32 x 1-5/8 x 16 Ga.
8	12000029	Ring, Clip #T5304-75
9	184946X667	Cap, Spindle
13	121749X	Washer 25/32 x 1-1/4 x 16 Ga.
14	10040600	Washer Lock 3/8
15	73540600	Nut, Crown Lock 3/8-24 unf
16	194746	Shaft Steering
19	194729	Plate Steering
20	199676X428	Boot, Steering
21	186737	Adapter, Wheel Steering
22	420537	Steering Support Lower
26	414852X428	Insert, Wheel Steering
28	17000612	Screw 3/8-16 x 3/4
35	194732	Gear, Sector Plate
45	19183812	Washer 9/16 I.D. x 2-3/8 O.D.
51	73940800	Nut Hex Jam Toplock 1/2-20
53	188967	Washer Hardened .793 x 1.637 x .060
57	407465	Bracket Upstop
58	194747	Bolt Shoulder Sector Pivot CFM
59	194748	Washer Thrust Sector Steering
60	73971000	Nut Flange Lock 5/8-11
61	194740	Draglink, LH
62	194741	Draglink, RH
63	17000512	Screw 5/16-18 x 3/4
64	199849	Retainer Clip Spring Steering
66	71020748	Bolt Hex Fghd 7/16-14 x 3 Serr
67	194737	Bushing PM Front Axle
68	73900700	Nut Lock Flange 7/16-14 Gr. 5
69	199162	Washer 1.5 x .505 x .118
70	196197	Bracket Deck Susp. Front

NOTE: All component dimensions given in U.S. inches.
1 inch = 25.4 mm.

TRACTOR - - MODEL NO. 917.288160

SEAT ASSEMBLY



seat-tex_6.5SL_3

KEY PART NO. NO.

DESCRIPTION

1	423645	Seat
2	180166	Bracket Pivot Fender
3	140675	Strap, Asm Fender
6	73800500	Nut, Lock 5/16-18 unc PL
7	124181X	Spring, Seat Cprsn
8	171877	Bolt 5/16-18 unc x 3/4 w/Sems
10	196977	Pan, Seat
21	171852	Bolt, Shoulder 5/16-18

KEY PART NO. NO.

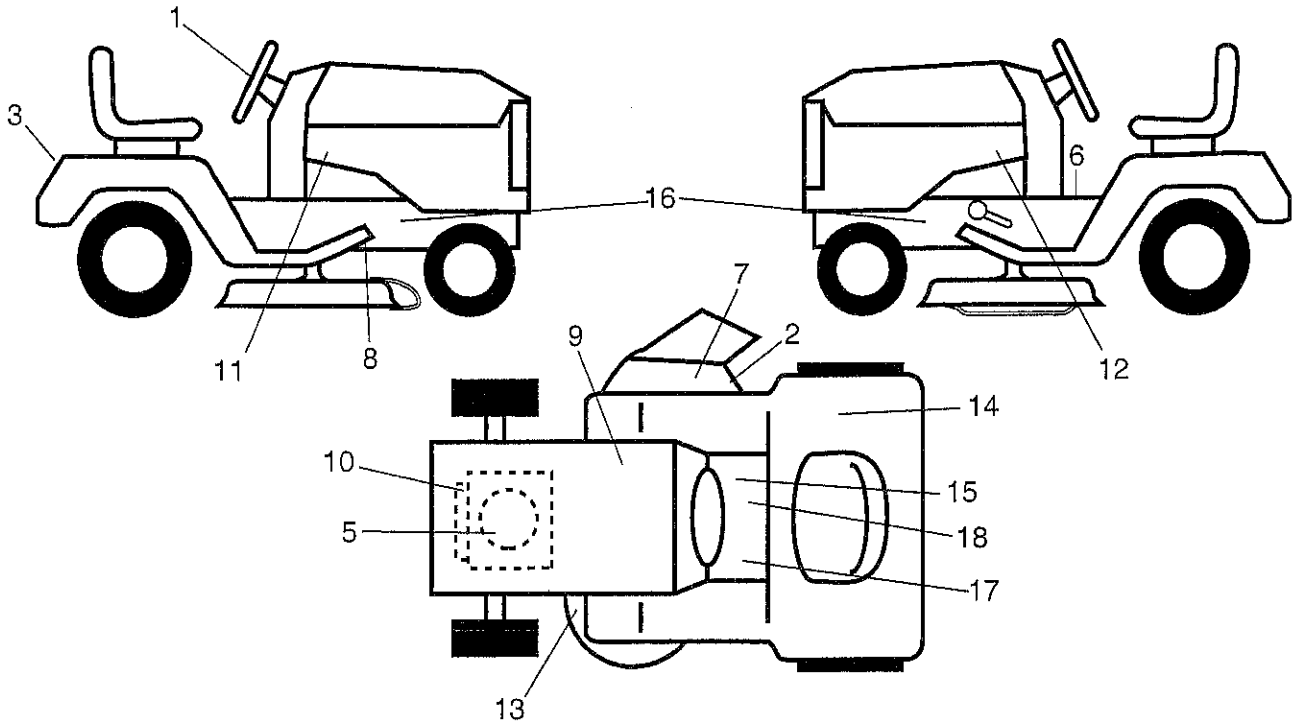
DESCRIPTION

37	73800600	Nut, Lock 5/16-18 unc
40	197661	Handle Slide Seat
41	198200	Spring Latch Seat
43	74760612	Bolt 3/8-16 x 3/4
44	19133812	Washer 13/32 x 2-3/8 x 12 Ga.

NOTE: All component dimensions given in U.S. inches.
1 inch = 25.4 mm

TRACTOR -- MODEL NO. 917.288160

DECALS



KEY PART NO. NO.

1	439525
2	196357
3	441121
5	442677
6	400389
7	182166
8	421534
9	145005
10	196841
11	441222
12	441223
13	160396
14	180432

DESCRIPTION

Decal, Steering
Decal, Reflector Warning
Decal, Fender
Decal, Engine HP
Decal, Fender Warning
Decal, Cut Finger
Decal, V-Belt Schematic Drive
Decal, Battery Warning
Decal, Warning Engine
Decal, Hood Side Panel RH
Decal, Hood Side Panel LH
Decal, Mower V-Belt SCH.
Decal, Fender

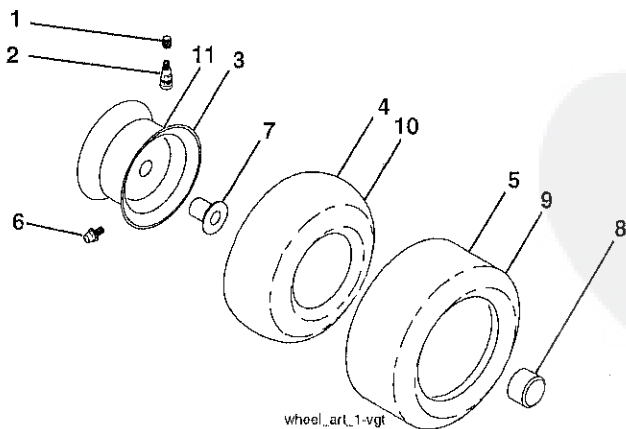
KEY PART NO. NO.

15	178302
16	159736
17	159737
18	140837
--	193226X428
--	400981X428
--	166960
--	162598
--	442713
--	442734
--	442735
--	442736
--	442714

DESCRIPTION

Decal, Operator Cruise
Decal, Hot Muffler
Decal, Brake/Clutch
Decal, Saddle Brake Parking
Pad, Footrest LH
Pad, Footrest RH
Decal, Bypass
Decal, Drawbar Load Limit
Manual, Operator's (Euro)
Manual, Operator's (Scan)
Manual, Operator's (E-Bloc)
Manual, Operator's (Baltic)
Manual, Parts

WHEELS & TIRES



KEY PART NO. NO.

1	59192
2	65139
3	106732X613
4	59904
5	106222X
6	278H
7	9040H
8	104757X428
9	138468
10	7152J
11	106108X613
--	144334

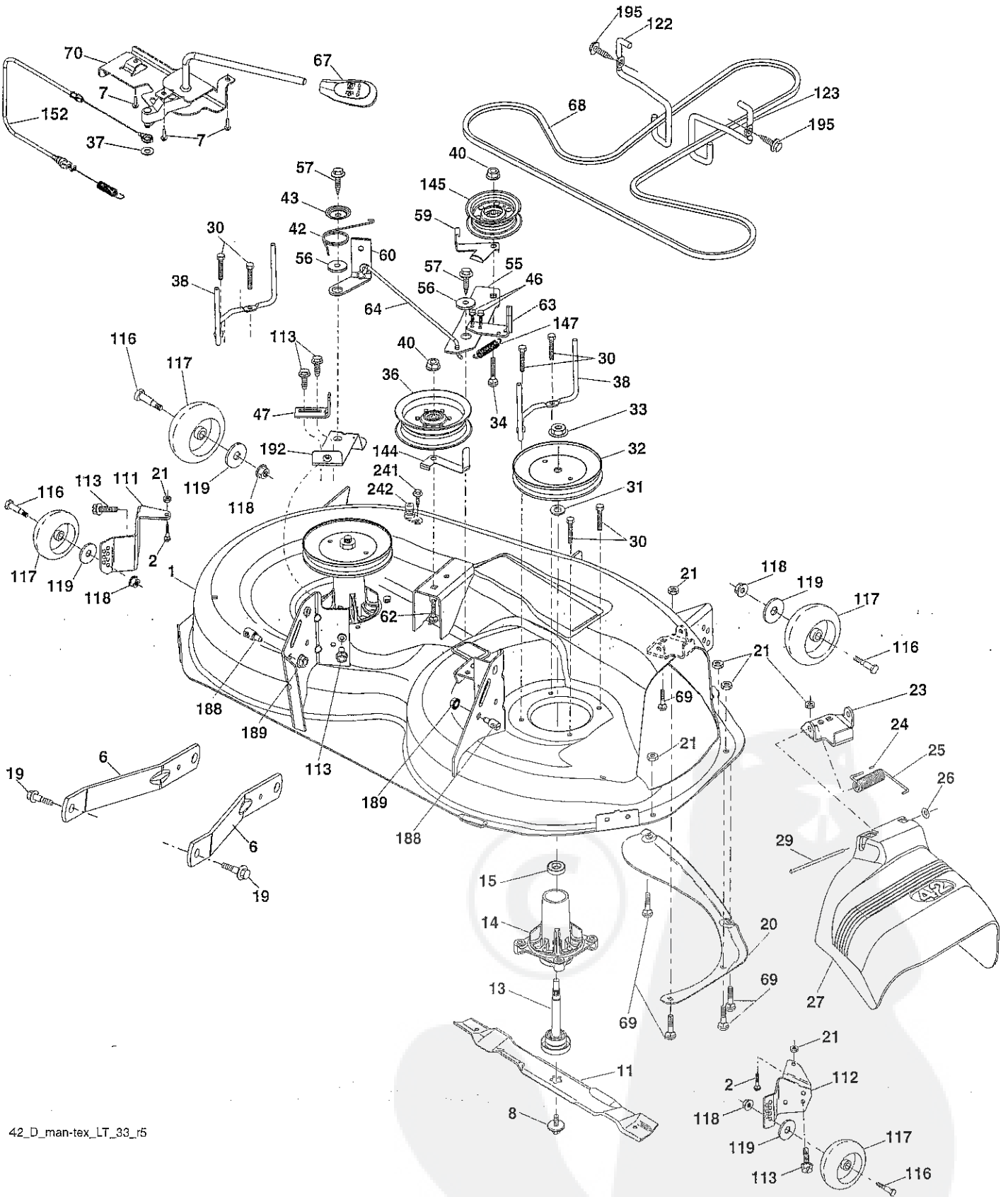
DESCRIPTION

Cap, Valve, Tire
Stem, Valve
Rim Assembly, Front
Tube, Front
Tire, Front
Fitting, Grease
Bearing, Flange
Cap, Axle (Front Wheel Only)
Tire, 18 x 9.5-8 TurfSaver LT
Tube, Rear
Rim Assembly, Rear
Sealant, Tire (10 oz. Tube)

NOTE: All component dimensions given in U.S. inches
1 inch = 25.4 mm

TRACTOR - - MODEL NO. 917.288160

MOWER



42_D_man-tex_LT_33_r5

TRACTOR -- MODEL NO. 917.288160

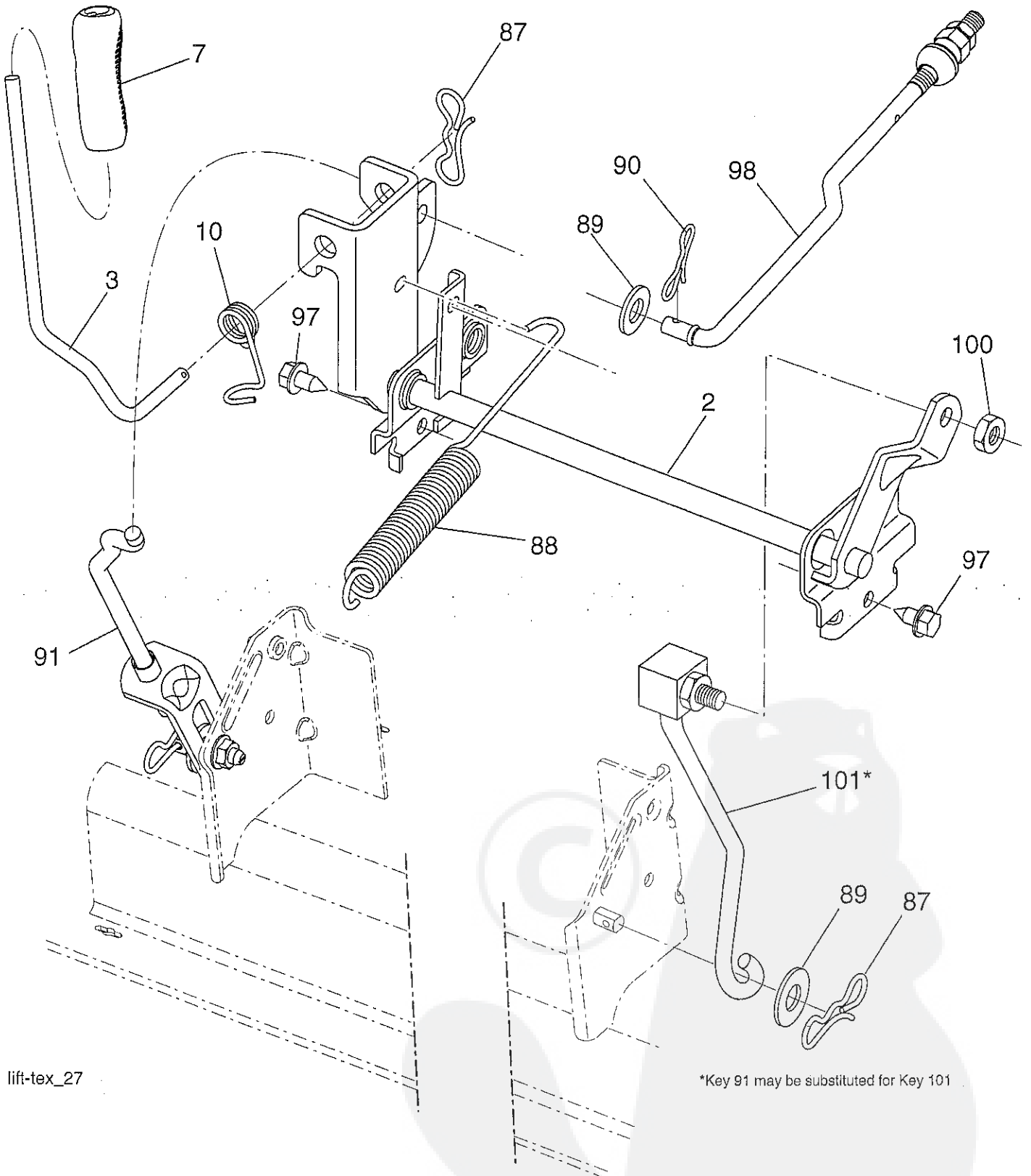
MOWER

KEY NO.	PART NO.	DESCRIPTION	KEY NO.	PART NO.	DESCRIPTION
1	196495X615	Deck Weldment Mower	62	721106016	Bolt Rd Hd Sq Nk 3/8-16 unc x 2
2	72140506	Bolt 5/16-18 x 3/4	63	199477	Arm Brake Mower
6	195186	Arm Suspension	64	199790	Link Brake Asm
7	416358	Screw #10 x .750 BOS Thread	67	198398X667	Handle Clutch Cable
8	193003	Bolt/Washer asm 7/16-20 unf	68	429636	Drive, Belt
11	424752	Blade, 42" 3NI	69	72140505	Bolt
13	192872	Shaft Assembly, Mandrel	70	199972	Clutch Asm Manual
14	187281	Housing, Mandrel	111	404784	Bracket Wheel Gauge LH
15	110485X	Bearing, Ball, Mandrel	112	404785	Bracket Wheel Gauge RH
19	196539	Bolt, Shoulder	113	17000510	Bolt 5/16-18
20	159770	Baffle Vortex	116	4898H	Bolt, Shoulder
21	73680500	Nut, Crownlock 5/16-18 unc	117	188606	Wheel, Gauge
23	192557	Bracket, Deflector	118	73900600	Nut, Lock 3/8-16
24	105304X	Cap, Sleeve	119	19121414	Washer 3/8 x 7/8 x 14 Ga.
25	197026	Spring, Torsion, Deflector	122	197258	Keeper Belt Engine LH
26	110452X	Nut, Push	123	197259	Keeper Belt Engine RH
27	424469	Shield, Deflector	144	199204	Keeper Belt
29	131491	Rod, Hinge	145	193197	Pulley Idler, Flat
30	173984	Screw Thdrol Rolling Wsh Hd	147	401971	Spring Return
31	187690	Washer, Spacer	152	435111	Manual Clutch Cable
32	197473	Pulley, Mandrel	188	195161	Stud Fastener
33	400234	Nut, Toplock, Flanged	189	73900500	Nut Lock Hex Flange
34	72110612	Bolt Carr Sh. 3/8-16 x 1-1/2 Gr. 5	192	197260	Bracket Brake Stand LH
36	197379	Pulley, Idler	195	17000612	Screw Hex Wsh Thdr 3/8-16 x 3/4
37	19131316	Washer	241	152927	Screw TT #10-32.5. 3/8 Flange
38	432520	Keeper Belt LH Mandrel	242	415598	Port Washout
40	73900600	Nut, Lock Fig. 3/8-16 unc	--	192870	Mandrel Assembly (Includes housing, shaft assembly, and bearing only - pulley/nut/washer and blade bolt/washers not included)
42	198410	Spring Torsion Brake	--	437732	Replacement Mower, Complete
43	197256	Spring Torsion Retainer			
46	137729	Screw Thd Roll 1/4-20 x 5/8			
47	197250	Bracket Clutch Cable			
55	437110	Arm, Idler			
56	199092	Spacer, Retainer			
57	17000616	Screw 3/8-16 x 1			
59	141043	Guard, Tuv Idler			
60	197261	Arm Brake Mower			

NOTE: All component dimensions given in U.S. inches
1 inch = 25.4 mm

TRACTOR -- MODEL NO. 917.288160

MOWER LIFT



lift-tex_27

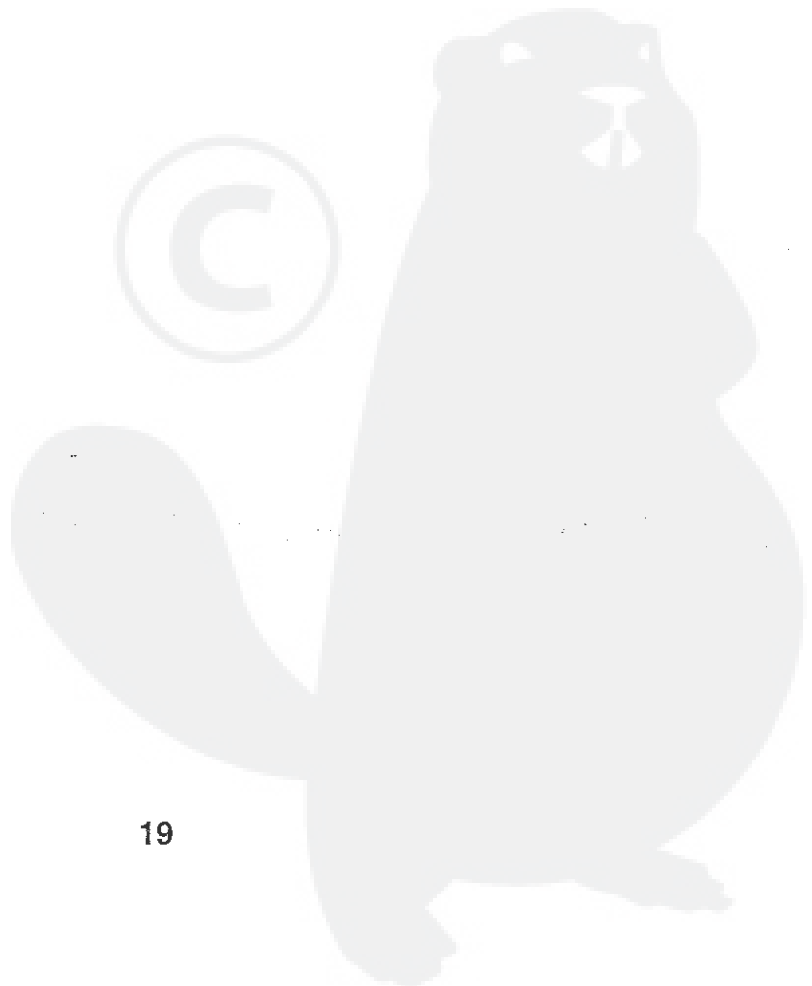
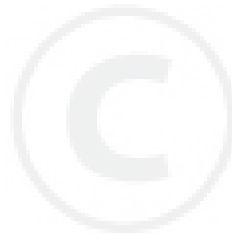
*Key 91 may be substituted for Key 101

TRACTOR - - MODEL NO. 917.288160

MOWER LIFT

KEY PART NO.	NO.	DESCRIPTION
2	422027	Shaft Asm., Lift
3	195231	Lever Asm., Lift RH
7	196492X428	Grip, Lever
10	196314	Spring Torsion
87	194209	Pin Cotter 7/16 Bow Tie Lock
88	410710	Spring Lift Assist
89	19191912	Washer Clear Zinc
90	194208	Pin Cotter 5/16 Bow Tie Lock
91	195181	Link Lift Susp Mower Rear
97	17000612	Screw 3/8-16 x .75
98	195270	Link Lift Susp. Front Mower
100	73930600	Nut Centerlock 3/8-16 unc
101	407003	Link ASm Lift Fxd

NOTE: All component dimensions given in U.S. inches
1 inch = 25.4 mm



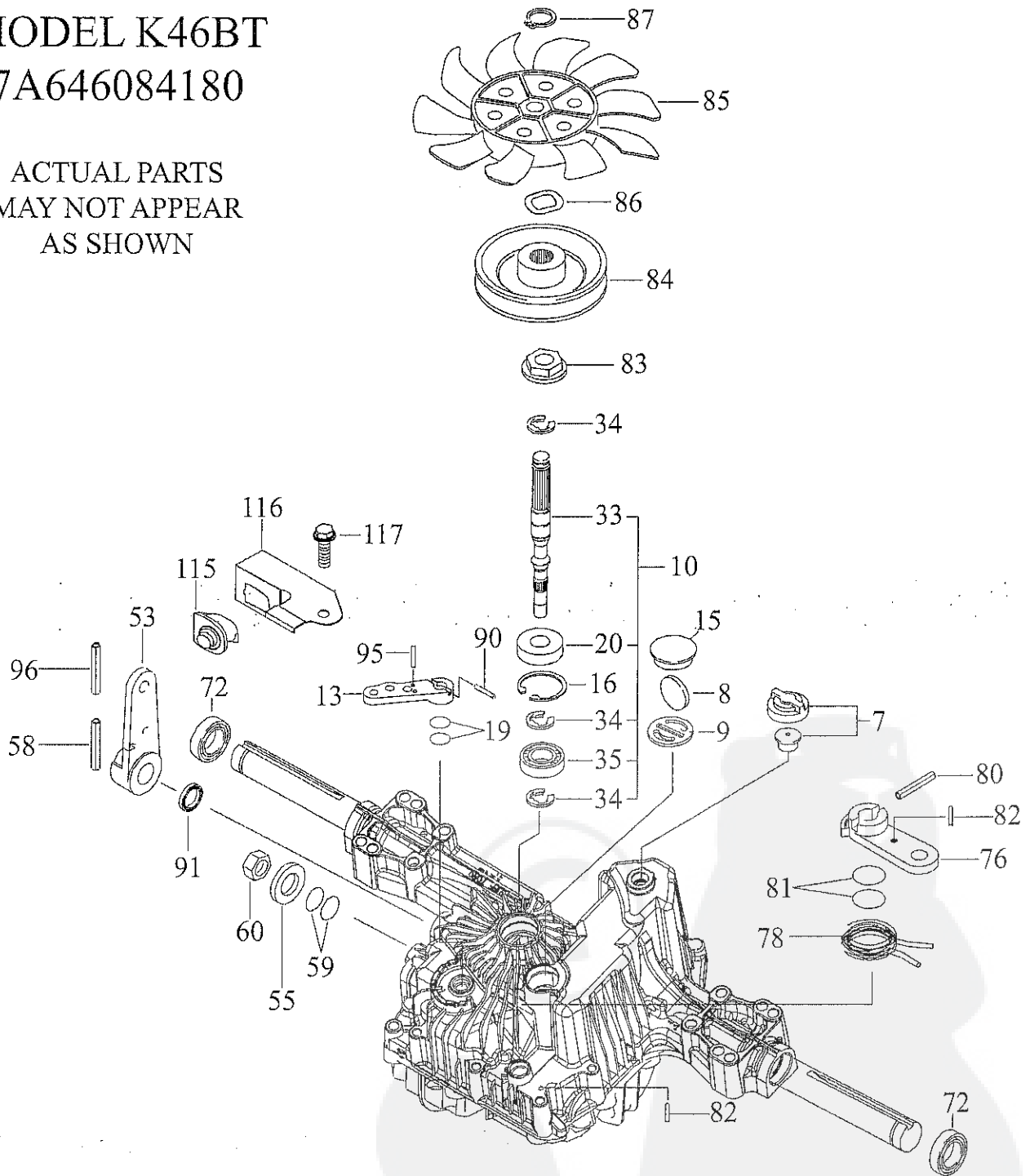
TRACTOR - - MODEL NUMBER 917.288160

TUFF TORQ TRANSAXLE - MODEL NUMBER K46BT

MODEL K46BT

7A646084180

ACTUAL PARTS
MAY NOT APPEAR
AS SHOWN



TRACTOR -- MODEL NUMBER 917.288160

TUFF TORQ TRANSAXLE - MODEL NUMBER K46BT

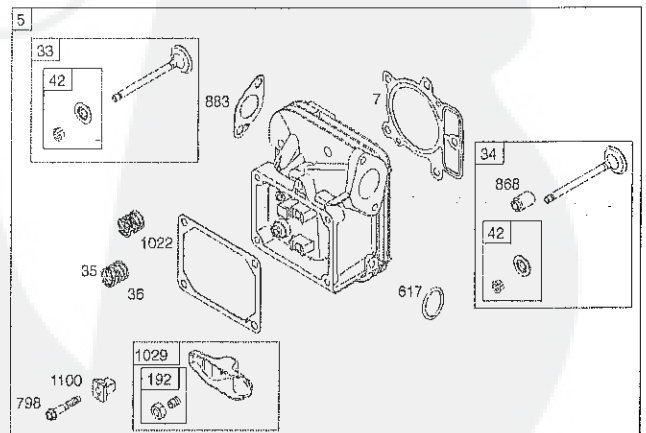
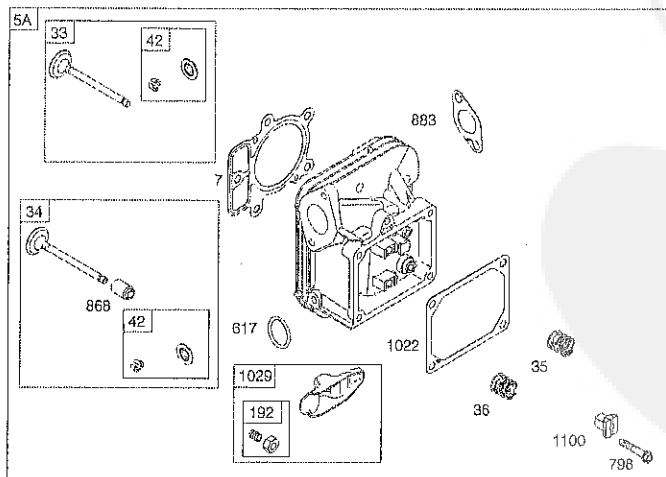
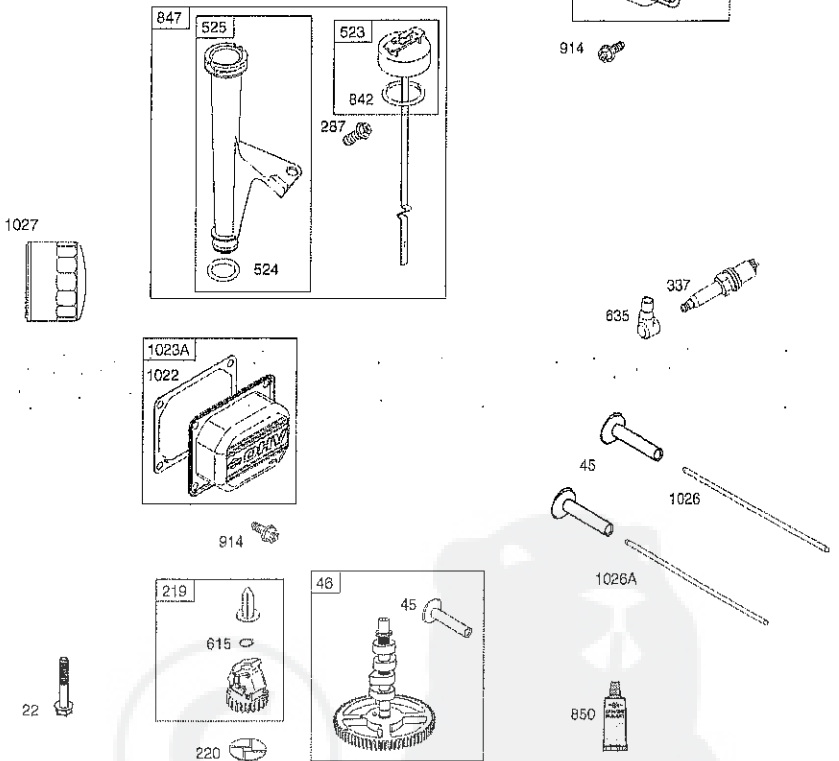
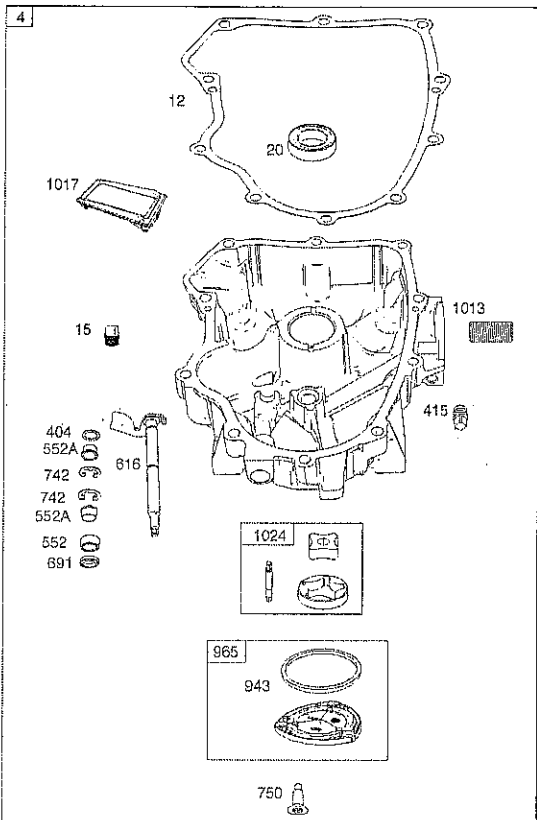
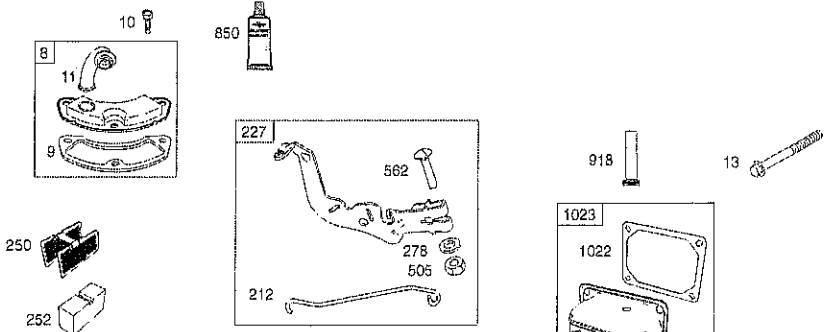
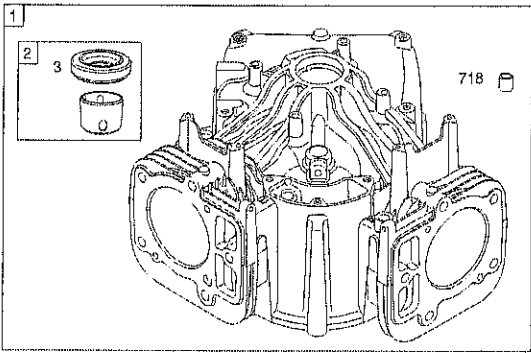
KEY PART NO.	PART NO.	DESCRIPTION
7	414395	Vent Valve 15
8	414396	Magnet
9	414397	Magnet Holder
10	415923	Pump Shaft/bearing Kit
13	414398	Bypass Lever
15	414399	Sealing Cap 30
16	414400	Snap Ring C 35
19	414401	O-ring 1a P10a
20	414402	Seal Tc 153507
33	414403	Pump Shaft (Standard)
34	414404	E-ring 15
35	414405	Bearing 6202c3
53	414431	Control Lever F
55	415924	Washer 12
58	415925	Roll Pin 6 * 40
59	415926	O-ring 1a P14
60	415927	Nut 12
72	414407	Seal 19 * 32 * 8
76	414408	Brake Lever
78	414409	Brake Return Spring
80	414410	Spring Pin 5 * 32
81	414411	O-ring 1a P12
82	414412	Spring Pin 4 * 16
83	414413	Spine Collar
84	414414	Pulley L
85	414415	Fan, Black
86	414416	Wave Washer
87	414417	Snap Ring
90	414418	Spring Pin 3.0a * 20
91	414419	Oil Seal 16 * 22 *.03
95	414850	Spring Pin 3.0a*16
96	414420	Roll Pin 3.5 * 40
115	415928	Switch 6440-11 Delta
116	415929	Switch Bracket
117	415930	Tapping Screw 8 * 20

NOTE: All component dimensions given in U.S. inches
1 inch = 25.4 mm

TRACTOR - - MODEL NO. 917.288160

BRIGGS & STRATTON ENGINE - - MODEL NUMBER 445677, TYPE NUMBER 2344-B1

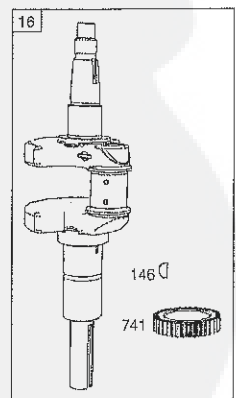
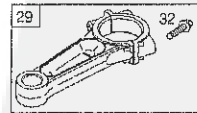
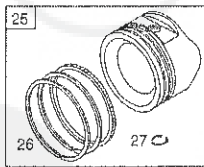
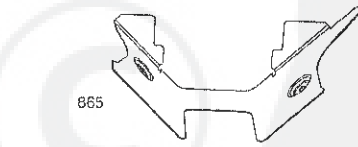
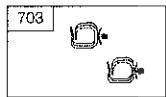
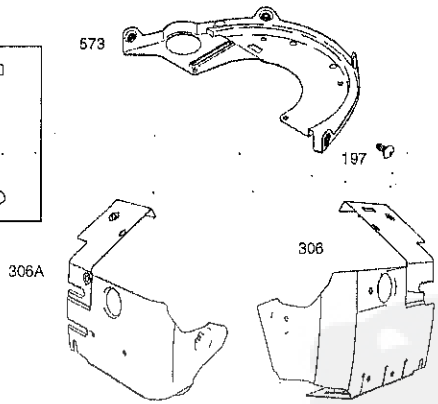
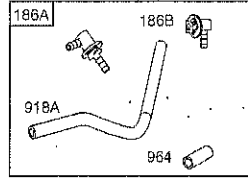
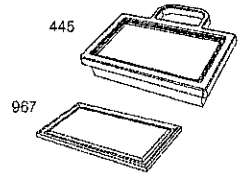
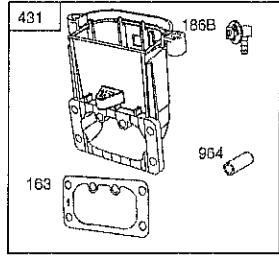
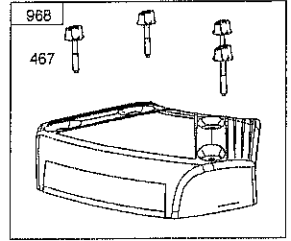
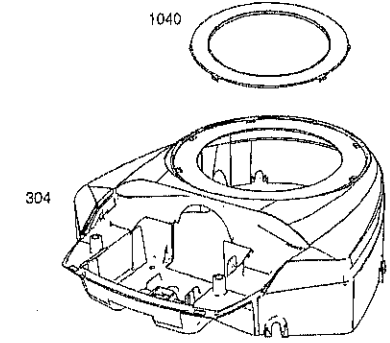
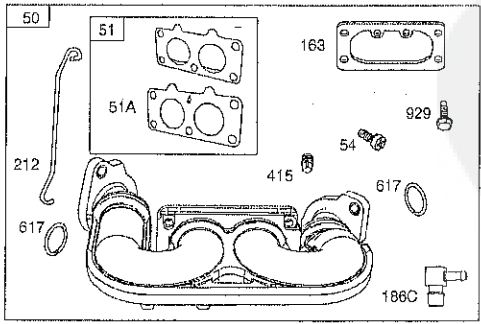
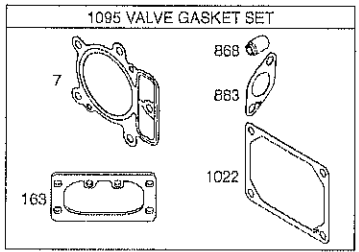
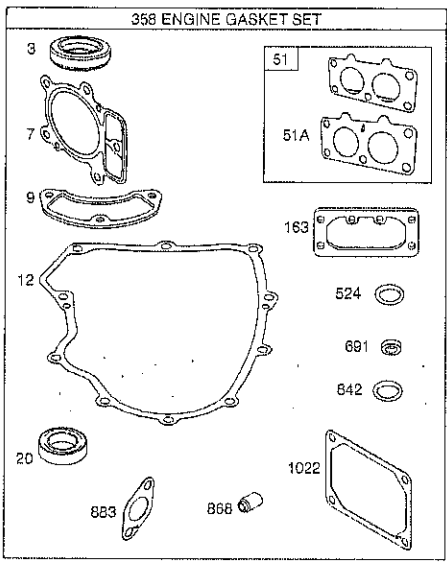
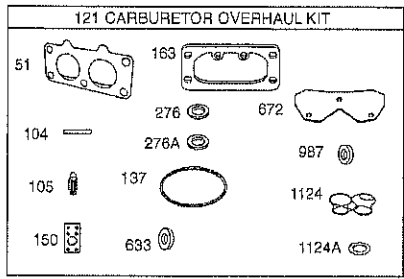
48 SHORT BLOCK
1058 OPERATOR'S MANUAL
1329 REPLACEMENT ENGINE
1330 REPAIR MANUAL



TRACTOR - - MODEL NO. 917.288160

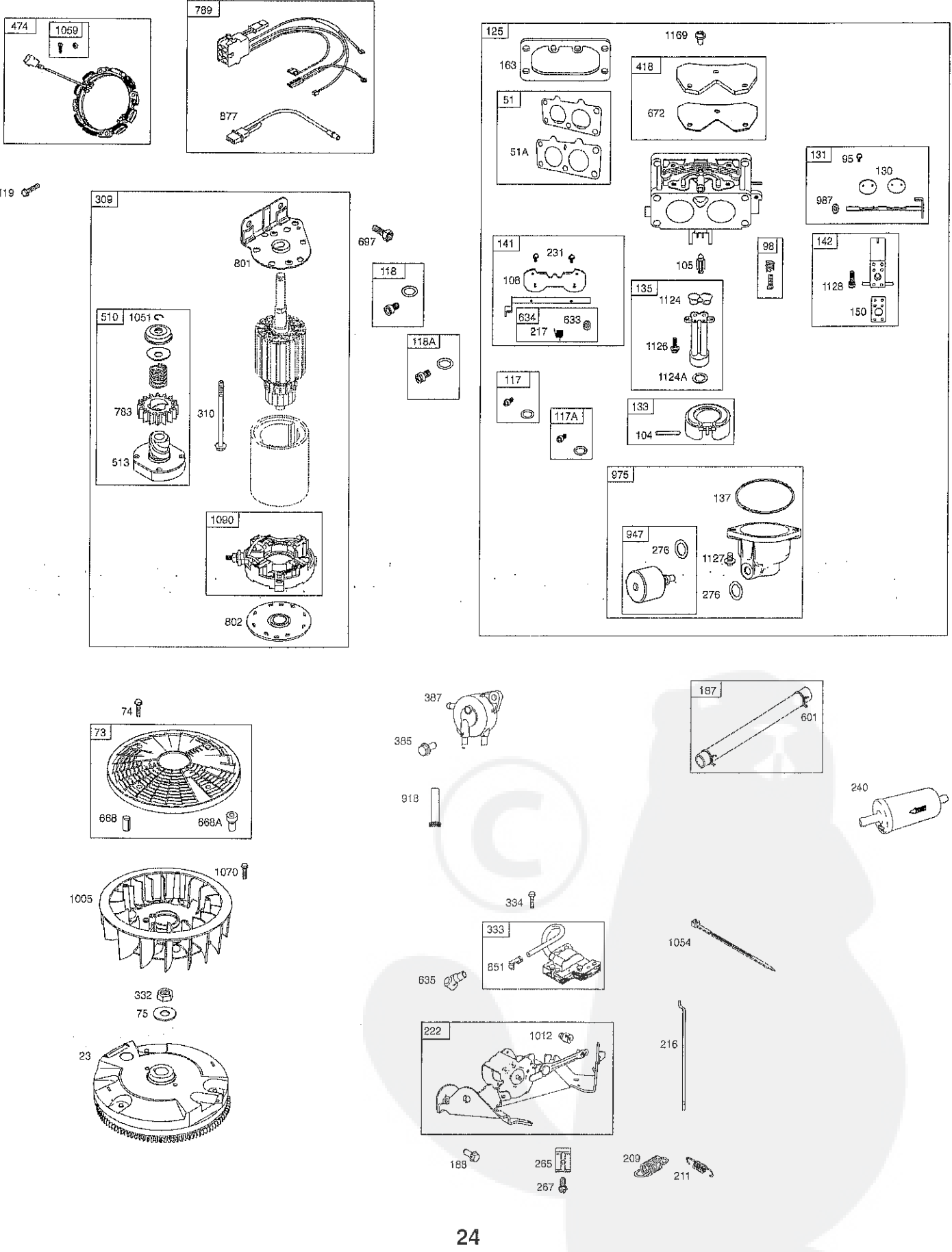
BRIGGS & STRATTON ENGINE - - MODEL NUMBER 445677, TYPE NUMBER 2344-B1

1036 EMISSIONS LABEL



24

TRACTOR - - MODEL NO. 917.288160
BRIGGS & STRATTON ENGINE - - MODEL NUMBER 445677, TYPE NUMBER 2344-B1



TRACTOR - - MODEL NO. 917.288160

BRIGGS & STRATTON ENGINE - - MODEL NUMBER 445677, TYPE NUMBER 2344-B1

KEY NO.	PART NO.	DESCRIPTION	KEY NO.	PART NO.	DESCRIPTION
1	793564	Cylinder Assembly	130	690993	Valve-Throttle
2	797673	Bushing/Seal Kit (Magneto Side)	131	499805	Kit-Throttle Shaft
3	391086s	Seal-Oil (Magneto Side)	133	699724	Float-Carburetor
4	796307	Sump-Engine	135	699729	Tube-Fuel Transfer
5	796231	Head-Cylinder (Cylinder 1)	137	690994	Gasket-Float Bowl
5A	796232	Head-Cylinder (Cylinder 2)	141	796228	Kit-Choke Shaft
7	693997	Gasket-Cylinder Head	142	699726	Nozzle-Carburetor
8	792185	Breather Assembly	146	690979	Key-Timing
9	690937	Gasket-Breather	150	690995	Gasket-Nozzle
10	697551	Screw (Breather Assembly)	163	691001	Gasket-Air Cleaner
11	792184	Tube-Breather	186A	799158	Hose-Connector (EVAP System)
12	697227	Gasket-Crankcase	186B	845141	Hose-Connector (EVAP System)
13	793988	Screw (Cylinder Head)	186C	795985	Hose-Connector (Intake Manifold)
15	690946	Plug-Oil Drain	187	791766	Line-Fuel (Cut to Required Length)
16	796237	Crankshaft			
20	795387	Seal-Oil (PTO Side)	188	697551	Screw (Control Bracket)
22	694966	Screw (Crankcase Cover Sump)	192	690083	Adjuster-Rocker Arm
23	691054	Flywheel	197	697820	Screw (Back Plate)
24	222698s	Key-Flywheel	209	799169	Spring-Governor (Dark Blue)
25	792023	Piston Assembly (Standard)	211	691019	Spring-Governed Idle (No Color)
	792072	Piston Assembly (.020" Oversize)	212	695238	Link-Throttle
26	792026	Ring Set (Standard)	216	796229	Link-Choke
	792073	Ring Set (.020" Oversize)	217	695409	Spring-Choke Return
27	690975	Lock-Piston Pin	219	793338	Gear-Governor
28	696581	Pin-Piston	220	690412	Washer (Governor Gear)
29	796209	Rod-Connecting	221	841026	Cup-Governor
32	690976	Screw (Connecting Rod)	222	798915	Bracket-Control
33	697576	Valve-Exhaust	227	798856	Lever-Governor Control
34	792200	Valve-Intake	231	690718	Screw (Choke Valve)
35	694865	Spring-Valve (Intake)	240	691035	Filter-Fuel
36	694865	Spring-Valve (Exhaust)	250	690957	Retainer-Breather
42	499586	Keeper-Valve	252	794389	Collector-Oil
45	690977	Tappet-Valve	265	691024	Clamp-Casing
46	792555	Camshaft	267	792629	Screw (Casing Clamp)
48	698172	Short Block	276	695410	Washer-Sealing
50	695241	Manifold-Intake	278	792651	Washer (Governor Control Lever)
51	795123	Gasket-Intake	287	697551	Screw (Dipstick Tube)
51A	690950	Gasket-Intake	304	797406	Housing-Blower
53	690951	Stud (Carburetor)	305	691005	Screw (Blower Housing) (1/4-20x.68)
54	699816	Screw (Intake Manifold)			
73	494439	Screen-Rotating	305B	790690	Screw (Blower Housing to Intake Elbow) (#10-16x.62)
74	698425	Screw (Rotating Screen)			
75	691056	Washer (Flywheel)	306	798855	Shield-Cylinder (Cylinder 2)
95	690718	Screw (Throttle Valve)	306A	796852	Shield-Cylinder(Cylinder 1)
98	699721	Kit-Idle Speed	307	691003	Screw(CylinderShield) (10-24x.43)
104	694918	Pin-Float Hinge			
105	797410	Valve-Float Needle	307A	697551	Screw (Cylinder Shield) (1/4-20 x .66)
108	699723	Valve-Choke			
117	791501	Jet-Main (Standard) (Left Jet)	309	497595	Motor-Starter
117A	791502	Jet-Main (Standard) (Right Jet)	310	690323	Screw (Starter Motor)
118	695415	Jet-Main (High Altitude) (Left Jet)	332	691059	Nut (Flywheel)
118A	843099	Jet-Main (High Altitude) (Right Jet)	333	691060	Armature-Magneto
			334	691061	Screw (Magneto Armature)
121	797890	Kit-Carburetor Overhaul	337	691043	Plug-Spark
125	796258	Carburetor	358	694012	Gasket Set-Engine

TRACTOR - - MODEL NO. 917.288160

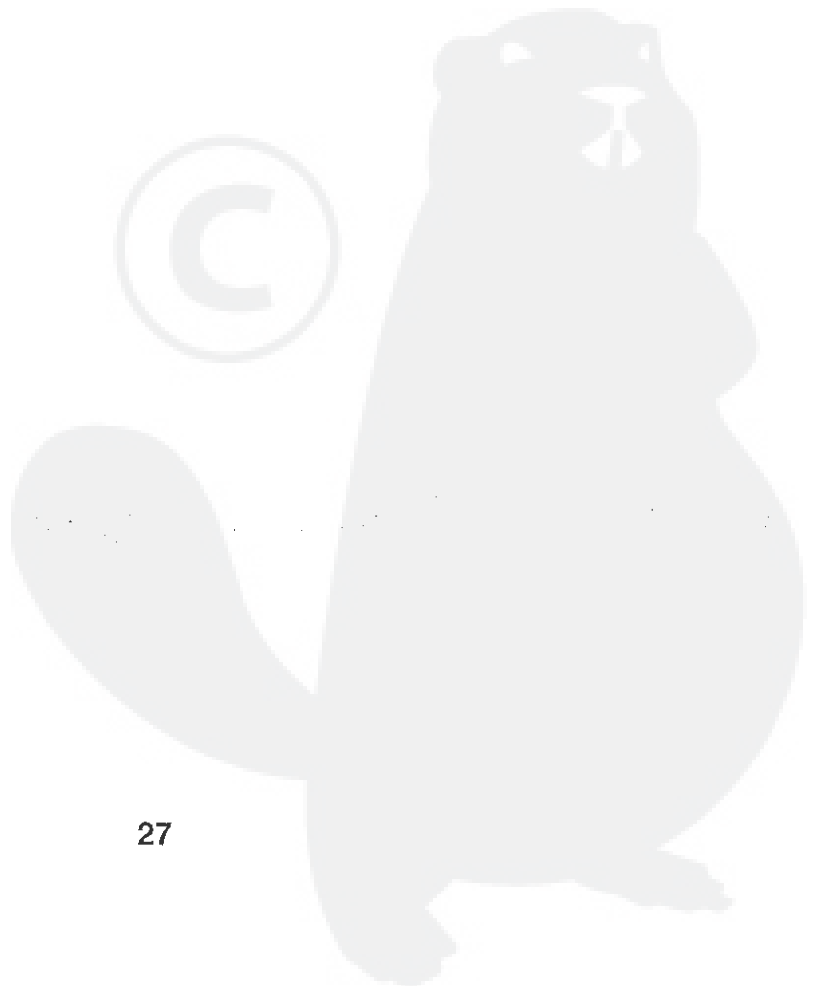
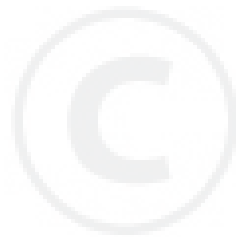
BRIGGS & STRATTON ENGINE - - MODEL NUMBER 445677, TYPE NUMBER 2344-B1

KEY NO.	PART NO.	DESCRIPTION	KEY NO.	PART NO.	DESCRIPTION
385	797409	Screw (Fuel Pump)	918	797408	Hose-Vacuum
387	808656	Pump-Fuel	918A	799160	Hose-Vacuum (EVAP System)
404	690442	Washer (Governor Crank)	943	796222	Seal-O Ring (Oil Pump Cover)
415	794903	Plug	947	798779	Solenoid-Fuel
418	795912	Plate-Carburetor	964	799159	Cap-Connector
431	798859	Elbow-Intake	965	796221	Cover-Oil Pump
445	499486	Filter-Air Cleaner Cartridge	967	273638s	Filter-Pre Cleaner
467	691008	Knob-Air Cleaner	968	791242	Cover-Air Cleaner
474	696459	Alternator	975	798778	Bowl-Fuel
505	691029	Nut (Governor Control Lever)	987	691000	Seal-Throttle Shaft
510	696541	Drive-Starter	1005	791236	Fan-Flywheel
513	692024	Clutch-Drive	1012	797926	Retainer-Link
523	691036	Dipstick	1013	690954	Nipple-Oil Filter
524	691032	Seal-Dipstick Tube	1017	796214	Screen-Oil Pump
525	691037	Tube-Dipstick	1022	690971	Gasket-Rocker Cover
552	796638	Bushing-Governor Crank	1023	793146	Cover-Rocker (Cylinder 1)
552A	690553	Bushing-Governor Crank	1023A	499600	Cover-Rocker (Cylinder 2)
562	690311	Screw (Governor Control Lever)	1024	796220	Pump-Oil
573	790444	Plate-Back	1026	690981	Rod-Push (Steel) (Exhaust)
601	691038	Hose-Clamp (Black)	1026A	690982	Rod-Push (Aluminum) (Intake)
615	698290	Retainer-Governor Shaft	1027	492932s	Filter-Oil
616	691045	Crank-Governor	1029	690972	Arm-Rocker
617	697891	Seal-O Ring (Intake Manifold) (Red)	1036		Label-Emissions (Available from a Briggs & Stratton Authorized Dealer)
633	699813	Seal-Choke/Throttle Shaft (Choke Shaft)	1040	791237	Plate-Trim
634	698779	Spring/Seal Assembly	1051	691265	Ring-Retaining
635	66538s	Boot-Spark Plug	1054	280275	Tie-Cable
654	690958	Nut (Carburetor)	1058	278776TRI	Operator's Manual
668	691215	Spacer (Rotating Screen)	1059	698516	Kit-Screw/Washer
668A	691500	Spacer (Rotating Screen)	1070	791680	Screw (Flywheel Fan)
672	690234	Gasket-Carburetor Plate	1090	691293	Retainer-Brush
691	790574	Seal-Governor Shaft	1095	694013	Gasket Set-Valve
697	690372	Screw (Drive Cap)	1100	791959	Pivot-Rocker Arm
703	691010	Clip	1119	691183	Screw (Alternator)
718	690959	Pin-Locating	1124	690988	Seal-O Ring (Fuel Transfer Tube)
741	690980	Gear-Timing	1124A	841653	Seal-O Ring (Fuel Transfer Tube)
742	690328	Retainer-E Ring	1126	690991	Screw (Fuel Transfer Tube)
750	796208	Screw (Oil Pump Cover)	1127	695407	Screw (Float Bowl)
783	695708	Gear-Pinion	1128	690990	Screw (Carburetor Nozzle)
789	698330	Harness-Wiring	1169	690990	Screw (Carburetor Cover Plate)
798	697890	Screw (Rocker Arm)	1329	44Q777	Replacement Engine
801	691283	Cap-Drive		-3137-G5	
802	691286	Cap-End	1330	273521	Repair Manual
842	691031	Seal-O Ring (Dipstick)			
847	499602	Dipstick/Tube Assembly			
850	100106	Sealant-Liquid			
851	493880s	Terminal-Spark Plug			
865A	691015	Cover-Air Guide (Valley)			
868	690968	Seal-Valve			
877	790544	Wire/Connector-Alternator			
883	690970	Gasket-Exhaust			
914	691127	Screw (Rocker Cover)			

Engine Gasket Set Key No. 358
 Valve Gasket Set Key No. 1095
 Carburetor Overhaul Kit Key No. 121

NOTE: All component dimensions given in U.S. inches
 1 inch = 25.4 mm

SERVICE NOTES



LIMITED WARRANTY ON CRAFTSMAN RIDING EQUIPMENT

For two (2) years from the date of purchase, if this Craftsman Riding Equipment is maintained, lubricated and tuned up according to the instructions in the owner's manual, Sears will repair or replace free of charge any parts that are found to be defective in material or workmanship according to the guidelines of coverage listed below. Sears will also provide free labor for these applicable warranted parts for the two full years. During the first 30 days of purchase, there will be no charges to service the product at your home for issues covered by this warranty. (See exclusions below). For your convenience, IN HOME warranty service will still be available after the first 30 days of purchase, but a trip charge will apply. This charge will be waived if the Craftsman product is dropped off at an authorized Sears location. For the nearest authorized Sears location, please call 1-800-4-MY-HOME®. This warranty applies only while this product is within the United States.

This Warranty does not cover:

- Expendable items which become worn during normal use, including but not limited to blades, spark plugs, air cleaners, belts, and oil filters.
- Standard Maintenance Servicing, oil changes, or tune-ups
- Tire replacement or repair caused by punctures from outside objects, such as nails, thorns, stumps, or glass.
- Repairs necessary because of operator abuse, including but not limited to, damage caused by towing objects beyond the capability of the riding equipment, impacting objects that bend the frame or crankshaft, or over-speeding the engine.
- Repairs necessary because of operator negligence, including but not limited to, electrical and mechanical damage caused by improper storage, failure to use the proper grade and amount of engine oil, failure to keep the deck clear of flammable debris, or failure to maintain the equipment according to the instructions contained in the owner's manual.
- Engine (fuel system) cleaning or repairs caused by fuel determined to be contaminated or oxidized (stale). In general, fuel should be used within 30 days of its purchase date.
- Normal deterioration and wear of the exterior finishes, or product label replacement.
- Riding equipment used for commercial or rental purposes.

LIMITED WARRANTY ON BATTERY

For ninety (90) days from date of purchase, if any battery included with this riding equipment proves defective in material or workmanship and our testing determines the battery will not hold a charge, Sears will replace the battery at no charge. During the first 30 days of purchase, there will be no charges to replace the battery at your HOME. After the first 30 days, for your convenience, IN-HOME warranty service will still be available but a trip charge will apply. This charge will be waived if the Craftsman product is dropped off at an authorized Sears location. For the nearest authorized Sears location, please call 1-800-4-MY-HOME®.

This battery warranty applies only while this product is within the United States.

This warranty gives you specific legal rights, and you may also have other rights, which vary, from state to state.

Sears, Roebuck and Co., Dept. 817WA, Hoffman Estates, IL 60179



CRAFTSMAN®