

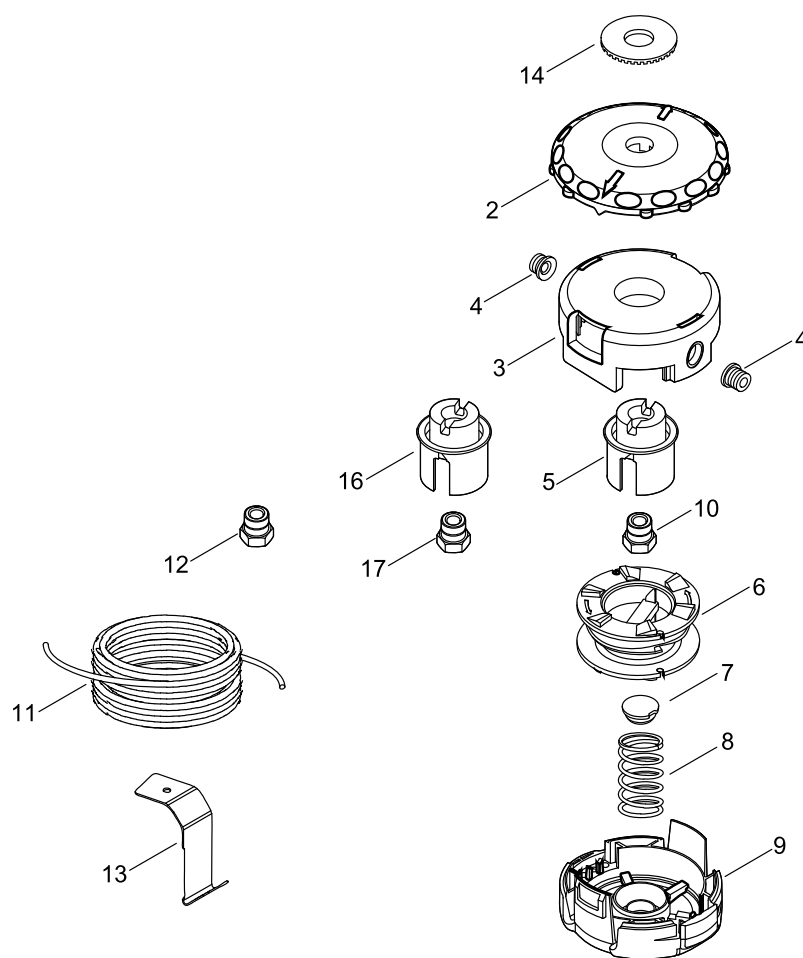
SF400/E

Published:07/20/2018

TABLE OF CONTENTS

NYLON LINE CUTTER.....	1
------------------------	---

NYLON LINE CUTTER



NYLON LINE CUTTER

KEY NO	LV(+)	Part No	Description	Qty	Standard	Comment
2		E415-000180	KNOB,REGULATOR	1		
3		X470-000340	DRUM,REEL	1	KWIK# 769-102	
4		X475-000110	GUIDE,CORD	2	KWIK# 869-115	
5		X476-000040	HUB,REEL	1		
6		X473-000130	REEL,CORD	1		
7		V494-000840	SPRING CAP	1		
8		V450-001880	SPRING,COMPRESSION	1		
9		X472-000070	LID,DRUM	1		
10		V160-000210	FILLER	1	KWIK# 869-193	
11		X474-000210	CORD	1	KWIK# 439-201	
12		V160-000150	FILLER	1	M10 X 1.25 GOLD	
13		C554-000030	KNIFE, CORD	1	17INCH	
14		V332-000090	WASHER,CIRCULAR 24	1	KWIK#869-192	
16		X476-000050	HUB,REEL	1	KWIK# 769-104	
17		V160-000160	FILLER	1	KWIK#	

NUMERICAL PARTS INDEX

Part No	Part description	Page
C554-00-0030	KNIFE, CORD	2
E415-00-0180	KNOB,REGULATOR	2
V160-00-0150	FILLER	2
V160-00-0160	FILLER	2
V160-00-0210	FILLER	2
V332-00-0090	WASHER,CIRCULAR 24	2
V450-00-1880	SPRING, COMPRESSION	2
V494-00-0840	SPRING CAP	2
X470-00-0340	DRUM,REEL	2
X472-00-0070	LID,DRUM	2
X473-00-0130	REEL,CORD	2
X474-00-0210	CORD	2
X475-00-0110	GUIDE,CORD	2
X476-00-0040	HUB,REEL	2
X476-00-0050	HUB,REEL	2