

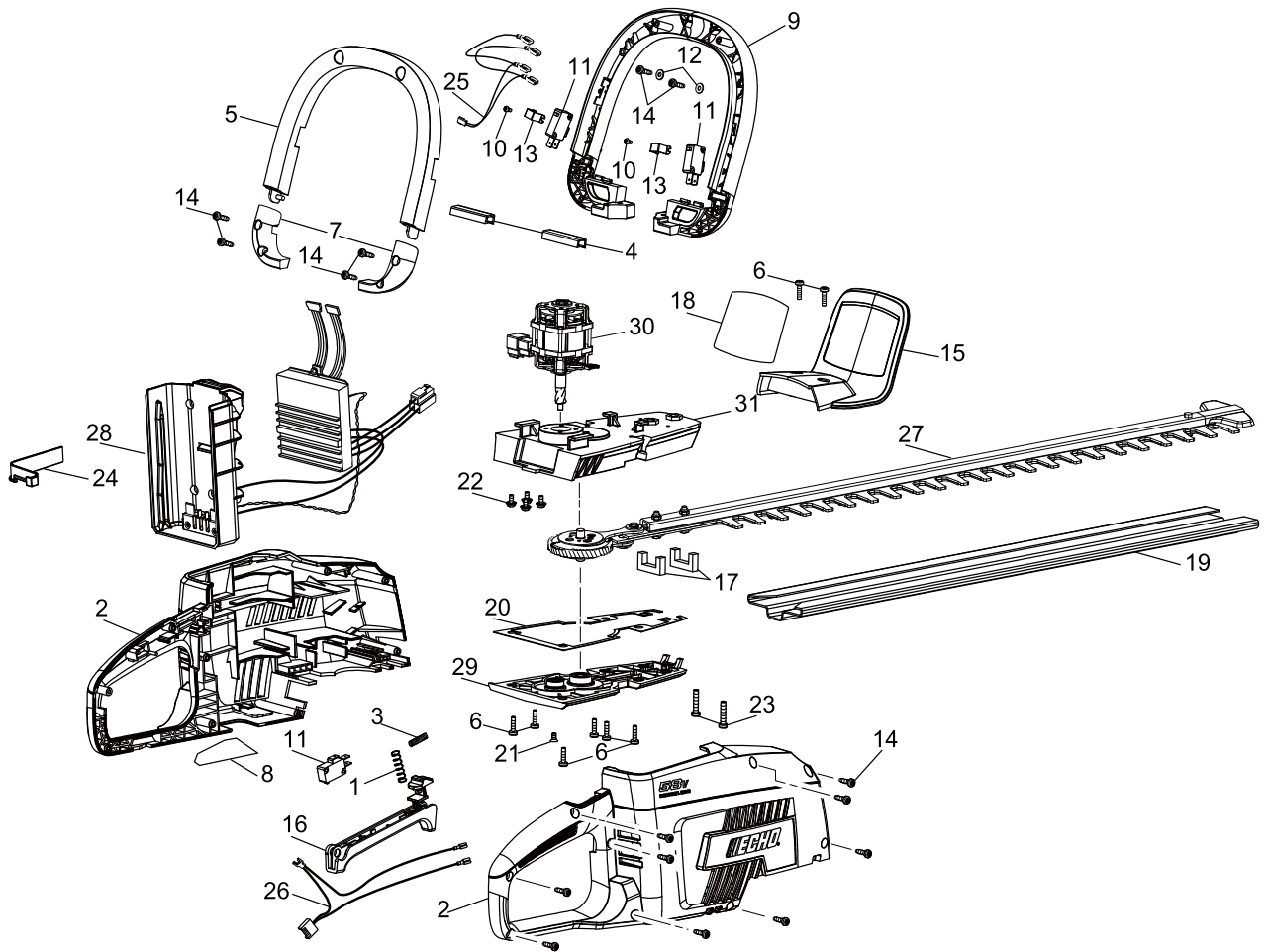
ECHT-58V

Published:07/03/2018

TABLE OF CONTENTS

HEDGE TRIMMER.....	1
--------------------	---

HEDGE TRIMMER



HEDGE TRIMMER

KEY NO	LV(+)	Part No	Description	Qty	Standard	Comment
1		679055009	SPRING	1		
2		205086001	HOUSING ASSY	1		
8	+	941588255	LABEL	1		
3		679055010	SPRING	1		
4		203469001	COVER,HARNESS	1		
5		528357001	TRIGGER	1		
6		662175003	SCREW	8	T25,M4*0.7	
7		203468001	COVER	1		
9		528353001	HANDLE SUPPORT	1		
10		660203073	SCREW	2	M3*6	
11		760689007	ON/OFF SWITCH	3		
12		690969001	WASHER	2	4.2*10	
13		639109001	SWITCH	2		
14		662175002	SCREW	15	T25,M4*18	
15		205087001	GUARD	1		
18	+	940657307	LABEL	1		
16		203467001	LEVER ASY	1		
17		901665001	SEAL	2		
19		528341001	SCABBARD,BLADE	1		
20		563588001	GASKET	1		
21		662177001	SCREW	1	M4*0.7	
22		661861004	SCREW	4	M4*0.7	
23		662176002	SCREW	2	T25,M5*0.8	
24		528398001	COVER,HARNESS	1		
25		291372001	HARNESS,WIRE	1		
26		291541001	HARNESS,WIRE	1		
27		203465001	CUTTER,ASM	1		
28		203475002	HOLDER,BATTERY	1		
29		203476001	LID,GEARCASE	1		
30		230568001	MOTOR ASY	1		
31		203477001	GEAR CASE ASY	1		

NUMERICAL PARTS INDEX

Part No	Part description	Page
203465001	CUTTER,ASM	2
203467001	LEVER ASY	2
203468001	COVER	2
203469001	COVER,HARNESS	2
203475002	HOLDER,BATTERY	2
203476001	LID,GEARCASE	2
203477001	GEAR CASE ASY	2
205086001	HOUSING ASSY	2
205087001	GUARD	2
230568001	MOTOR ASY	2
291372001	HARNESS,WIRE	2
291541001	HARNESS,WIRE	2
528341001	SCABBARD,BLADE	2
528353001	HANDLE SUPPORT	2
528357001	TRIGGER	2
528398001	COVER,HARNESS	2
563588001	GASKET	2
639109001	SWITCH	2
660203073	SCREW	2
661861004	SCREW	2
662175002	SCREW	2
662175003	SCREW	2
662176002	SCREW	2
662177001	SCREW	2
679055009	SPRING	2
679055010	SPRING	2
690969001	WASHER	2
760689007	ON/OFF SWITCH	2
901665001	SEAL	2
940657307	LABEL	2
941588255	LABEL	2