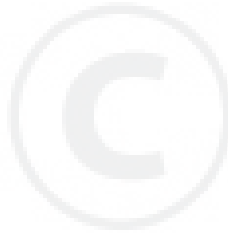




**PARTS CATALOG**

**DUSTER / MIST BLOWER**

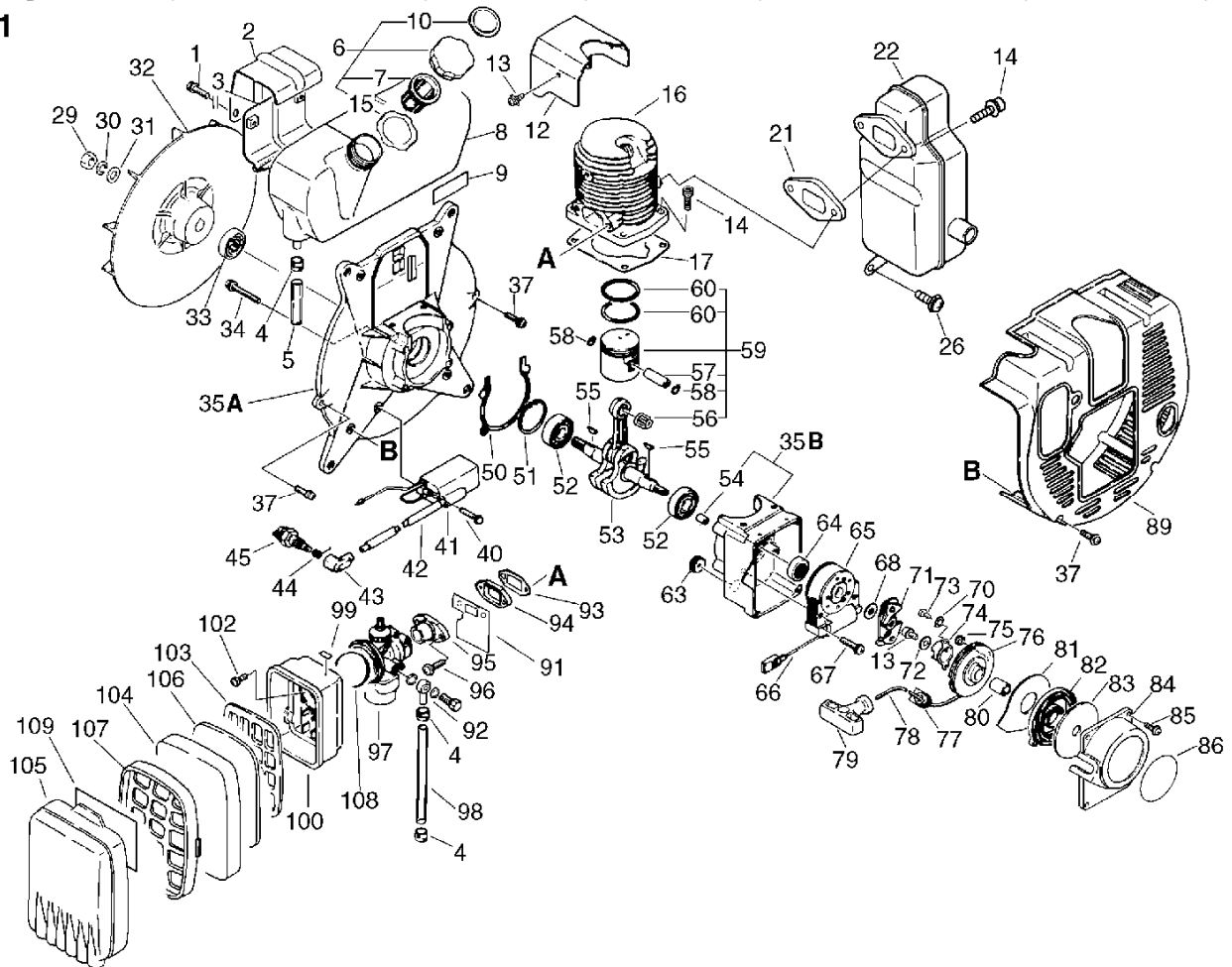
**DM-5500**



DM-5500

**1. Cylinder, Crankcase, Piston, Starter, Air Cleaner, Muffler, Fuel T**

No.1



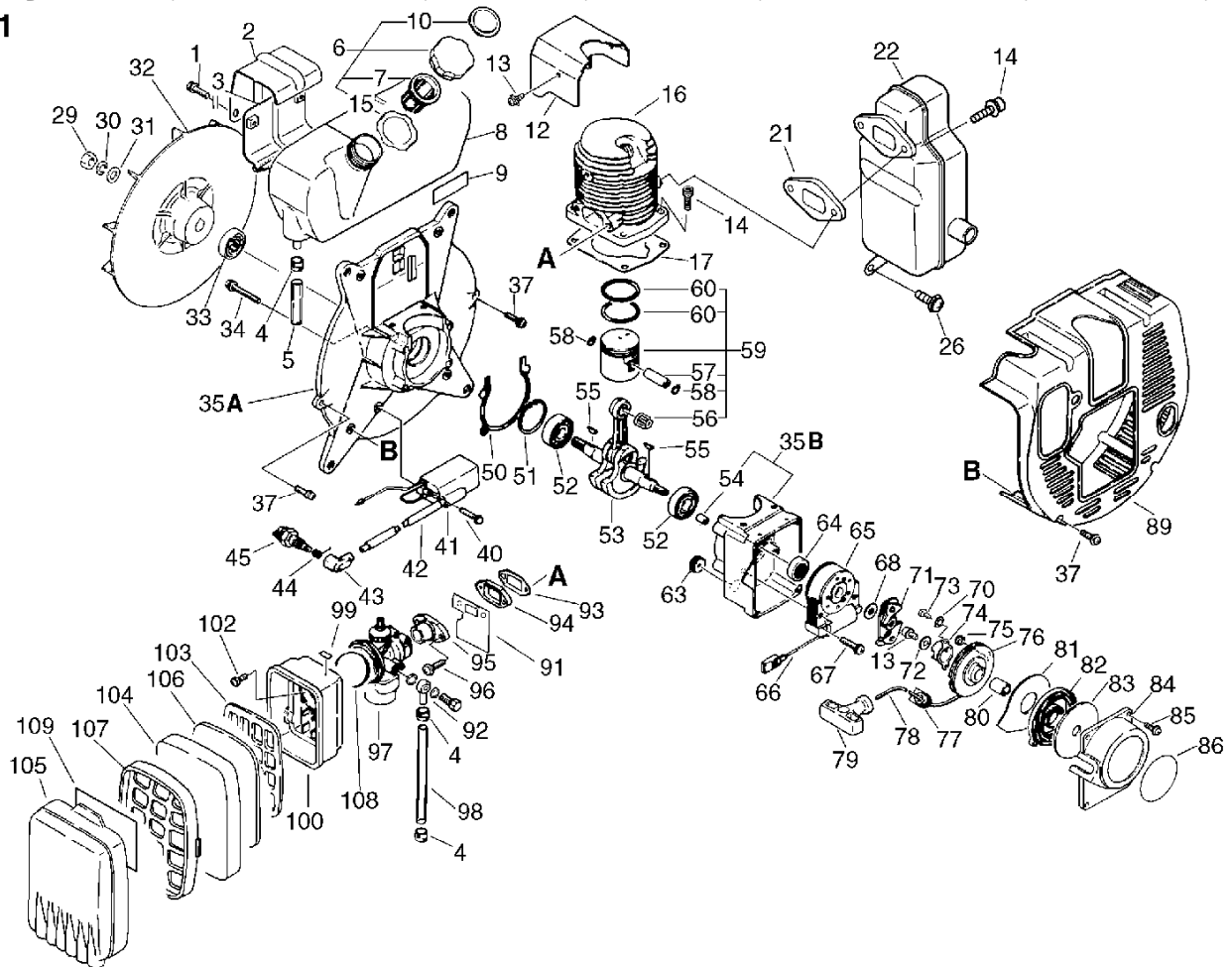
KEY	LV	PART NUMBER	Q'TY	DESCRIPTION	REMARKS	NOTE1	NOTE2
1		900142-06020	2	BOLT 6*20 (W/W,SW)	6*20		
2		131910-03210	1	BRACKET, FUEL TANK			
3		131918-02910	1	BRACKET, FUEL TANK			
4		357013-00210	4	CLIP 11	11≧J	Sus. by 132013-14010	
4		132013-14010	4	BAND	10.5MM		
5		132010-03310	1	PIPE, FUEL	7*11*370		
6		131604-07132	1	CAP ASSY, FUEL TANK		Sus. by 131004-03910	
6		131004-03910	1	CAP ASSY, FUEL TANK			
7	+	131003-05330	1	CUP SET, VENT		Can be used on the 131604-07132 only	
7	+	131003-21230	1	CUP SET, VENT		Can be used on the 131004-03910 only	
10	+	890154-12730	1	LABEL, FUEL MIX		Can be used on the 131604-07132 only	
15	+	131016-21230	1	GASKET, FUEL CAP		Can be used on the 131604-07132 only	
15	+	131016-21060	1	GASKET, FUEL CAP		Can be used on the 131004-03910 only	
8		131010-03210	1	TANK, FUEL			

Ганк



**1. Cylinder, Crankcase, Piston, Starter, Air Cleaner, Muffler, Fuel T**

No.1

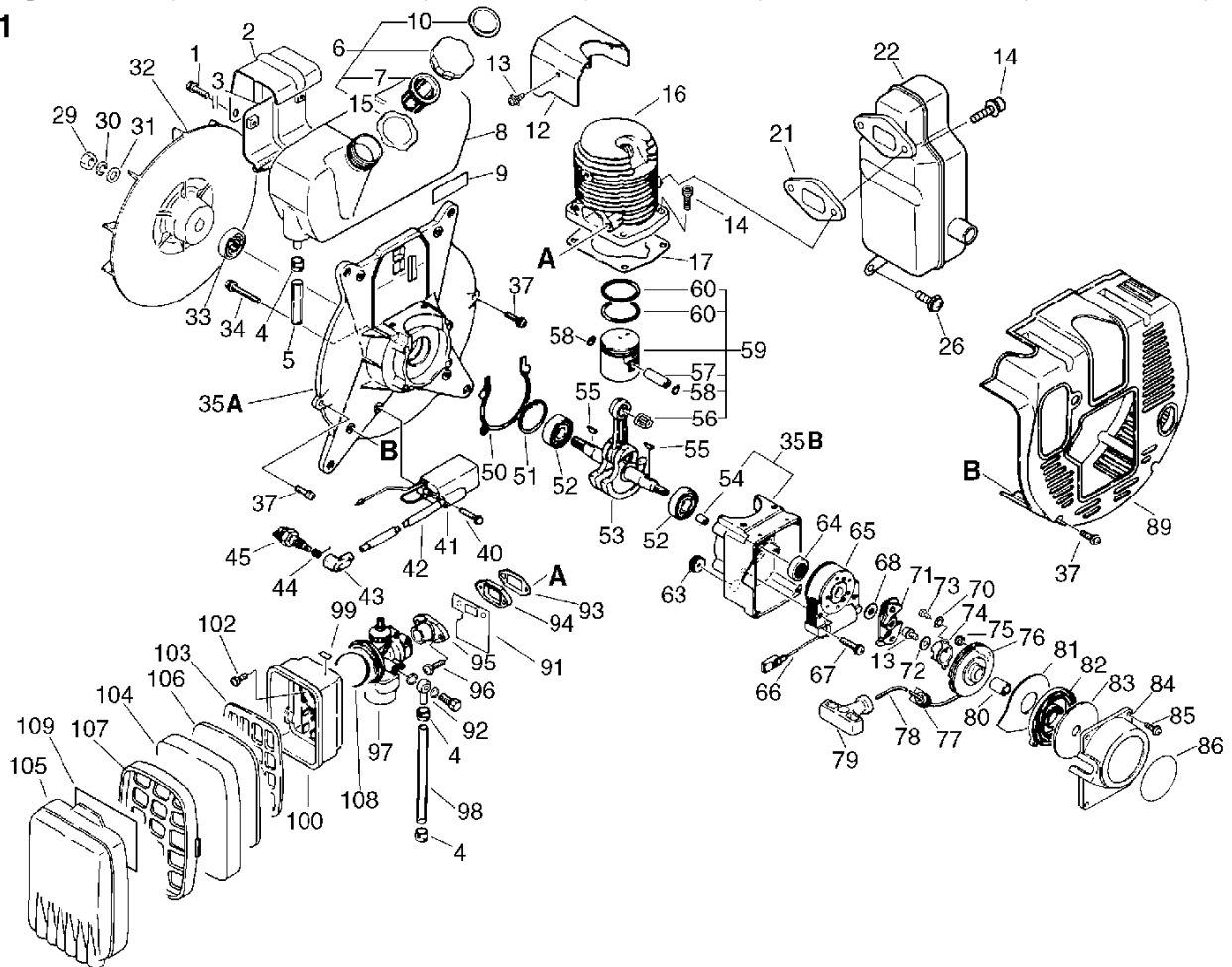


KEY	LV	PART NUMBER	Q'TY	DESCRIPTION	REMARKS	NOTE1	NOTE2
9		890112-03710	1	LABEL, MODEL			
12		101514-03711	1	COVER, CYLINDER			
13		900242-05010	2	SCREW 5*10	5*10		
14		900162-06020	6	BOLT, H.S. 6*20	6*20 W.SW		
16		101011-03710	1	CYLINDER			
17		101010-05511	1	GASKET, CYL. BASE			
21		145510-03711	1	GASKET, MUFFLER			
22		145610-05510	1	MUFFLER, EXHAUST			
26		900242-05014	1	SCREW 5*14	5*14		
29		900501-00010	1	NUT 10*1.25	10*P1.25		
30		900605-00010	1	WASHER, SPRING 10	10		
31		900600-00010	1	WASHER 10	10		
32		200005-03710	1	FAN			
33		100213-02830	1	OILSEAL	ISMX15,35,6		
34		900142-05040	4	BOLT 5*40 (W/W,SW)	5*40		
35		100200-03711	1	CRANKCASE SET			
54	+	100215-05731	2	PIN, DOWEL			
37		900242-05020	11	SCREW 5*20	5*20		
40		900242-04020	2	SCREW 4*20	4*20		
41		156601-03210	1	C.D. IGNITION MODULE			
42		156111-03210	1	TUBE	6.3*8*270		
43		159012-01620	1	CAP, SPARK PLUG			
44		159011-00510	1	COIL, SPARK PLUG CAP		Sus. by 159011-03432	
44		159011-03432	1	COIL, SPARK PLUG			
45		159010-10630	1	PLUG, SPARK (BPM-7A)	BPM-7A		



**1. Cylinder, Crankcase, Piston, Starter, Air Cleaner, Muffler, Fuel T**

No.1



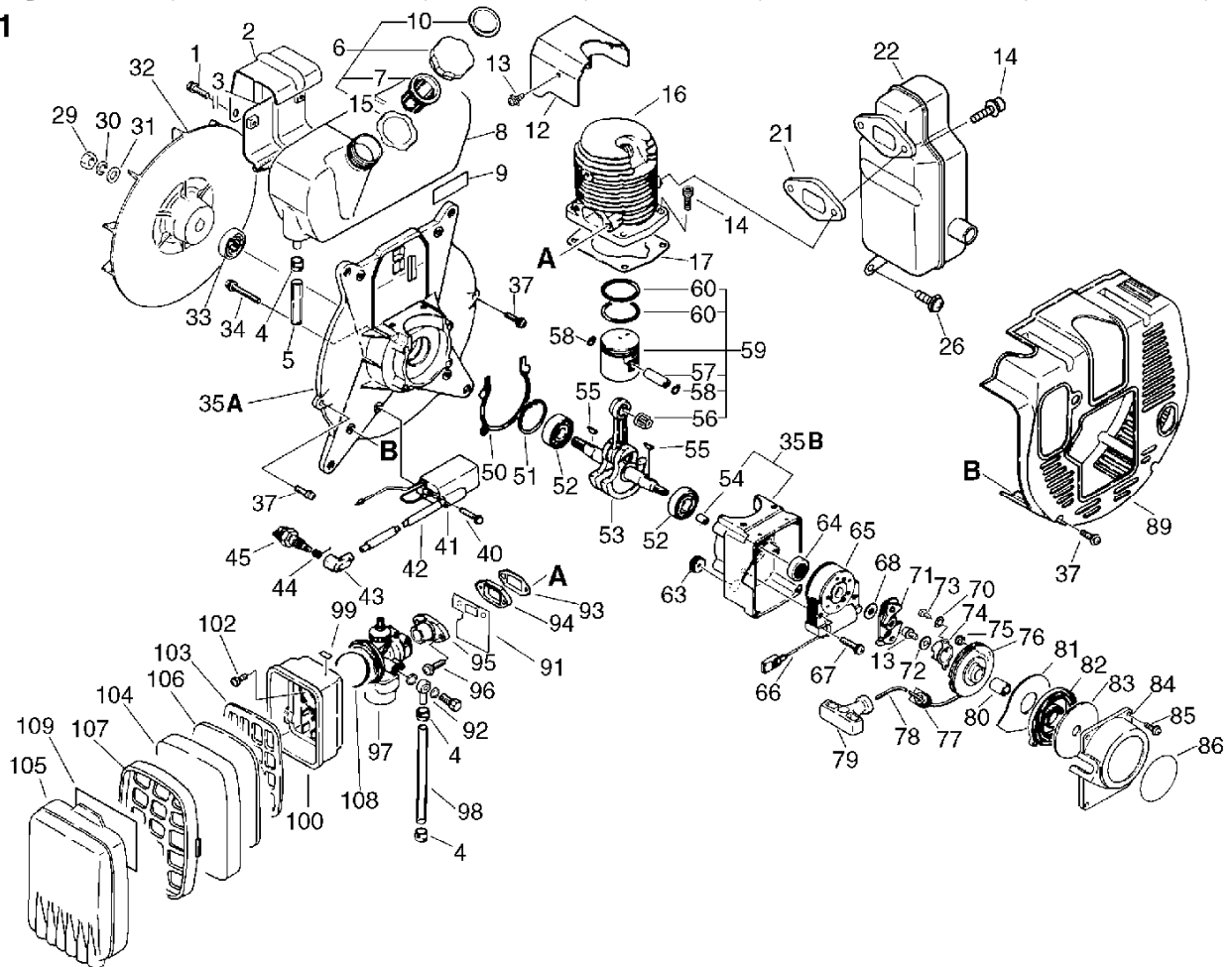
KEY	LV	PART NUMBER	Q'TY	DESCRIPTION	REMARKS	NOTE1	NOTE2
50		100242-03212	1	GASKET, CRANKCASE			
51		900702-00035	1	CIRCLIP 35	CR-35		
52		900810-36202	2	BEARING, BALL 6202	6202/C3		
53		100100-03210	1	CRANKSHAFT ASSY			
55		100142-00310	2	KEY, WOODRUFF (M)			
59		100010-03710	1	PISTON		Sus. by 100000-03710	
59		100000-03710	1	PISTON KIT			
56	+	100012-12331	1	BEARING, NEEDLE			
57	+	100013-00410	1	PIN, PISTON	6*10*29.8		
58	+	100015-00120	2	CIRCLIP, PISTON PIN			
60	+	100011-17330	2	RING, PISTON			
63		156114-03210	1	GROMMET			
64		100213-00310	1	OILSEAL	ISCD 15 25 7		
65		156800-03210	1	ROTOR			
66		156627-03210	1	COIL, EXCITER			
67		900242-05025	2	SCREW 5*25	5*25		
68		900602-00008	1	WASHER 8	8.4*17*1.6		
71		177305-40530	1	PAWL ASS'Y, STARTER			
		177200-03211	1	STARTER ASS'Y			
13	+	900242-05010	1	SCREW 5*10	5*10		
70	+	900605-00004	2	WASHER, SPRING 4	4		
72	+	177214-02830	1	WASHER	5.2*16*1.0T		
73	+	900220-04008	2	SCREW 4*8	4*8		
74	+	177243-04130	1	CATCHER, PAWL			
75	+	177246-03930	1	CLIP, STARTER ROPE			

Ганк



**1. Cylinder, Crankcase, Piston, Starter, Air Cleaner, Muffler, Fuel T**

No.1



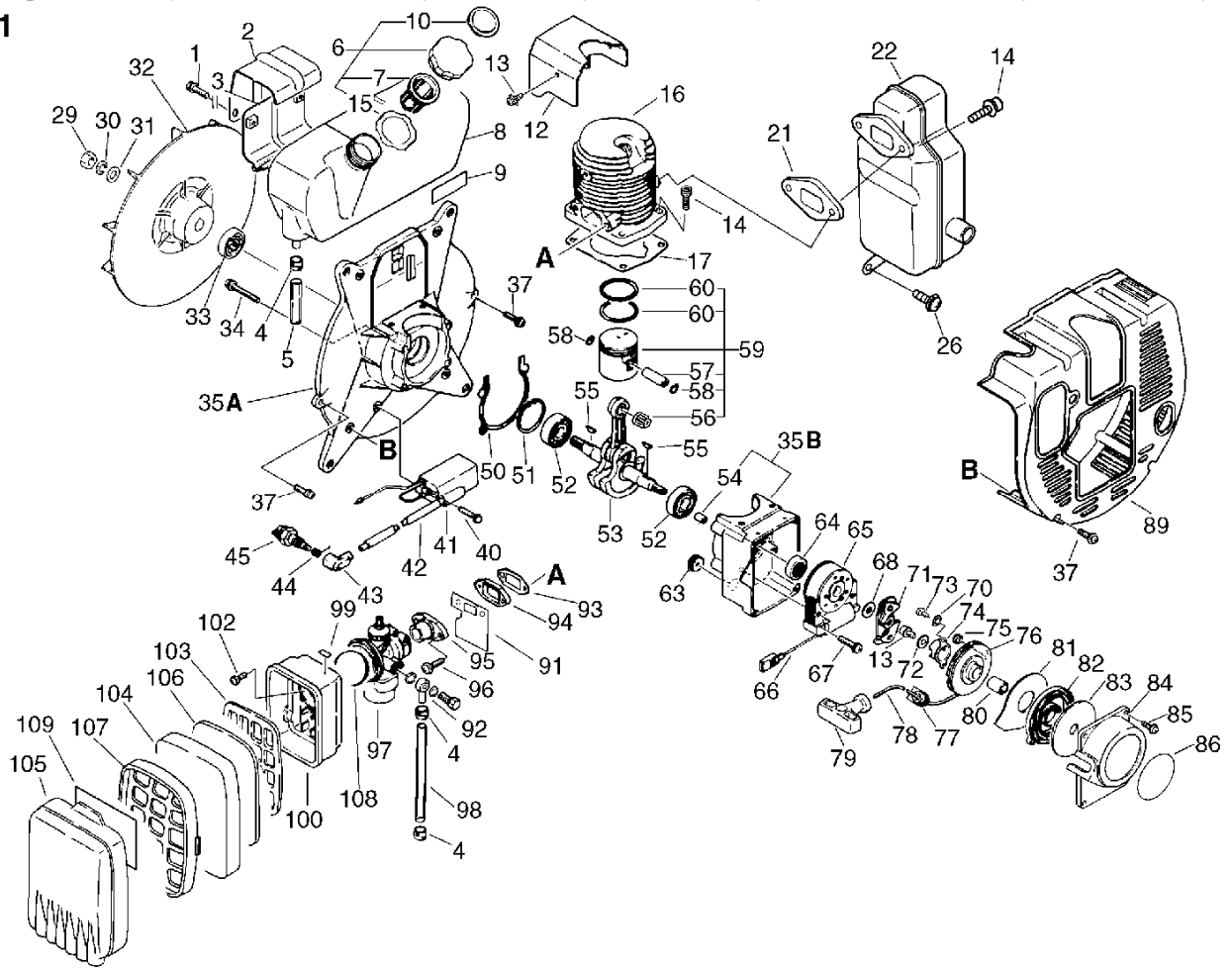
KEY	LV	PART NUMBER	Q'TY	DESCRIPTION	REMARKS	NOTE1	NOTE2
76	+	177215-04130	1	DRUM, STARTER			
77	+	177227-02910	1	GUIDE, ROPE			
78	+	177226-03930	1	ROPE, STARTER	3.5*850		
79	+	177228-11130	1	GRIP, STARTER			
80	+	177216-12330	1	COLLAR			
81	+	177242-02910	1	SIDE PLATE			
82	+	177220-03930	1	SPRING, REWIND			
83	+	177221-06720	1	PLATE, STARTER			
84	+	177209-03211	1	CASE, STARTER			
85		900242-04016	4	SCREW 4*16	4*16		
86		890112-17830	1	LABEL, ECHO			
89		104016-03710	1	COVER, ENGINE			
91		130011-03710	1	PLATE, WIND PROOF			
92		132024-00660	1	CONNECTOR, PIPE			
93		130016-01110	1	GASKET, CARBURETOR			
94		130017-01110	1	INSULATOR			
95		130510-02911	1	ADAPTER, INTAKE			
96		900242-06020	2	SCREW 6*20	6*20		
97		120000-03711	1	CARBURETOR ASSY			
98		132012-03210	1	PIPE, FUEL	7*11*230		
99		890121-00660	1	LABEL, CHOKE			
100		130307-03711	1	CASE, AIR CLEANER			
102		900242-04014	2	SCREW 4*14	4*14		
103		130319-03710	1	GRID, AIR CLEANER			
104		130310-02910	1	FILTER, AIR			
105		130313-03710	1	COVER, AIR CLEANER			



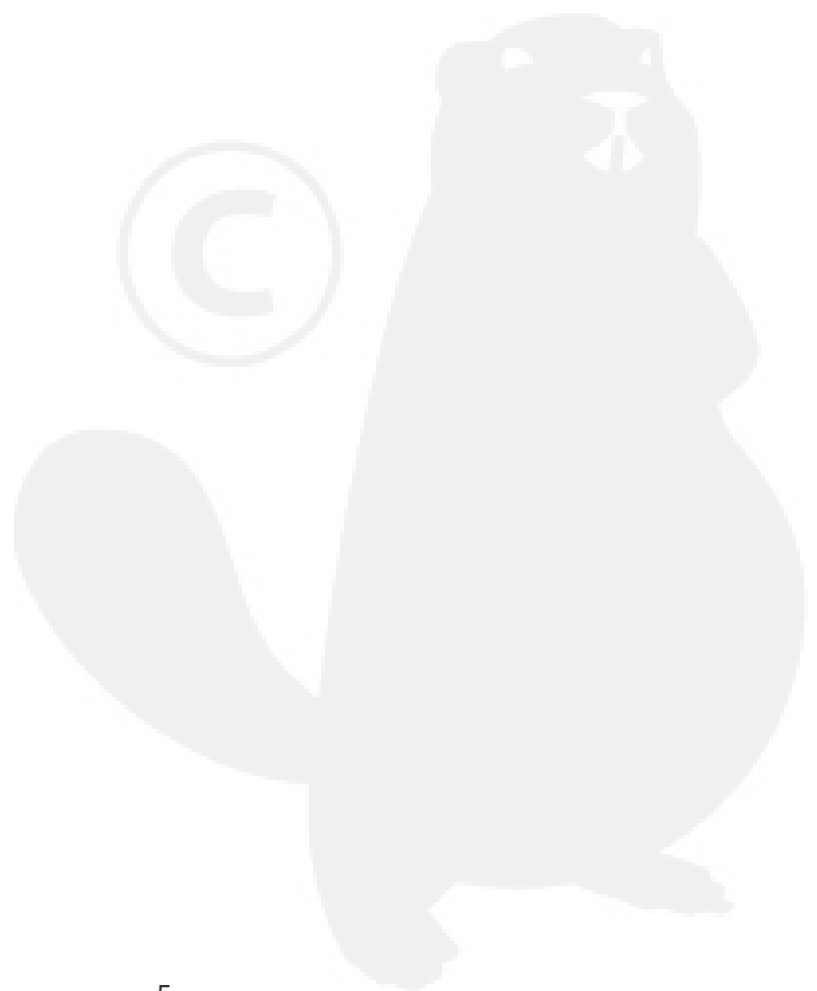


**1. Cylinder, Crankcase, Piston, Starter, Air Cleaner, Muffler, Fuel T**

No.1

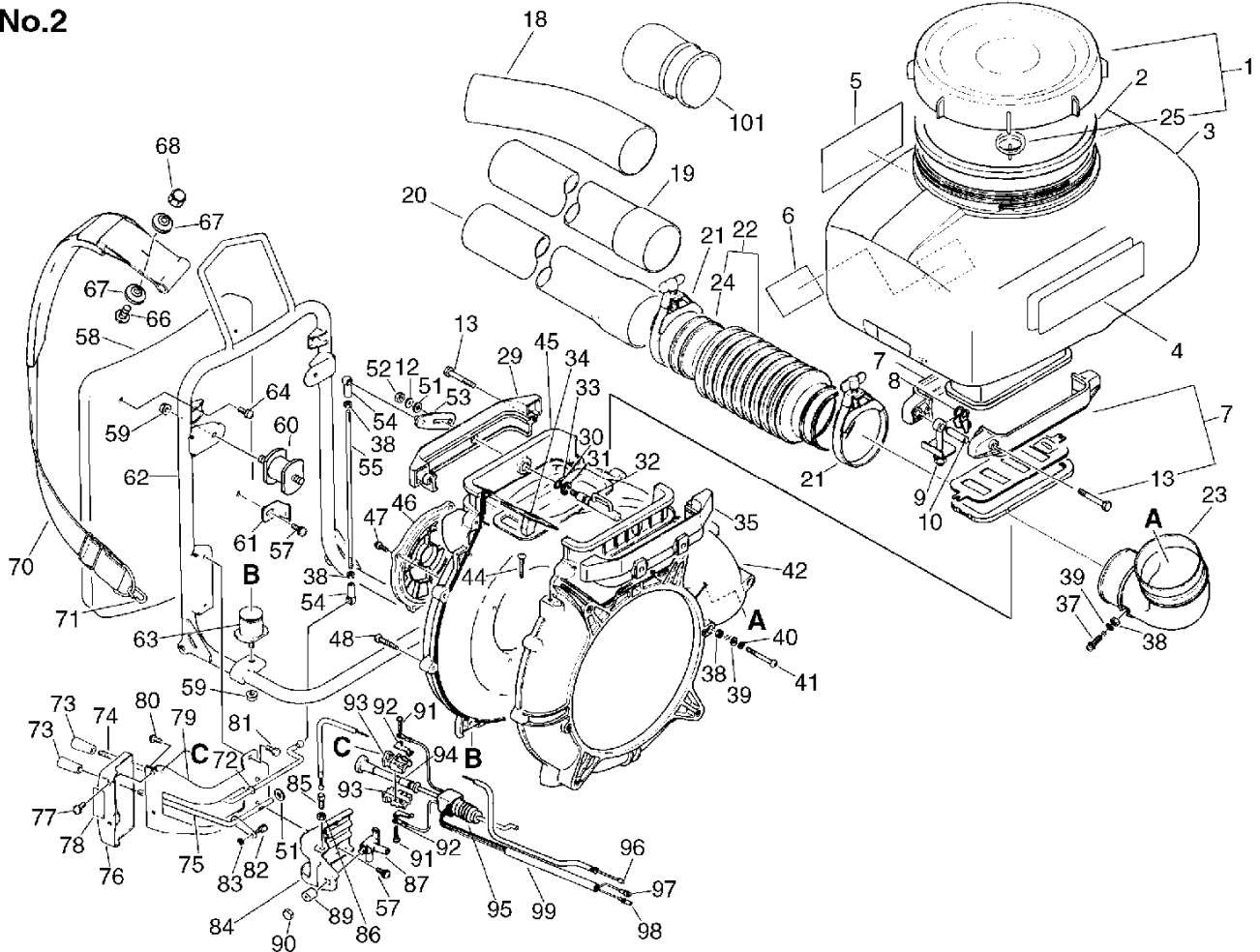


KEY	LV	PART NUMBER	Q'TY	DESCRIPTION	REMARKS	NOTE1	NOTE2
106		130317-03710	1	FILTER, AIR			
107		130311-03710	1	GRID, AIR CLEANER			
108		130320-03710	1	SEAL, CLEANER			
109		890187-03710	1	LABEL, CLEANER			



## 2. Fan Case, Harness, Control Lever, Chemical Tank

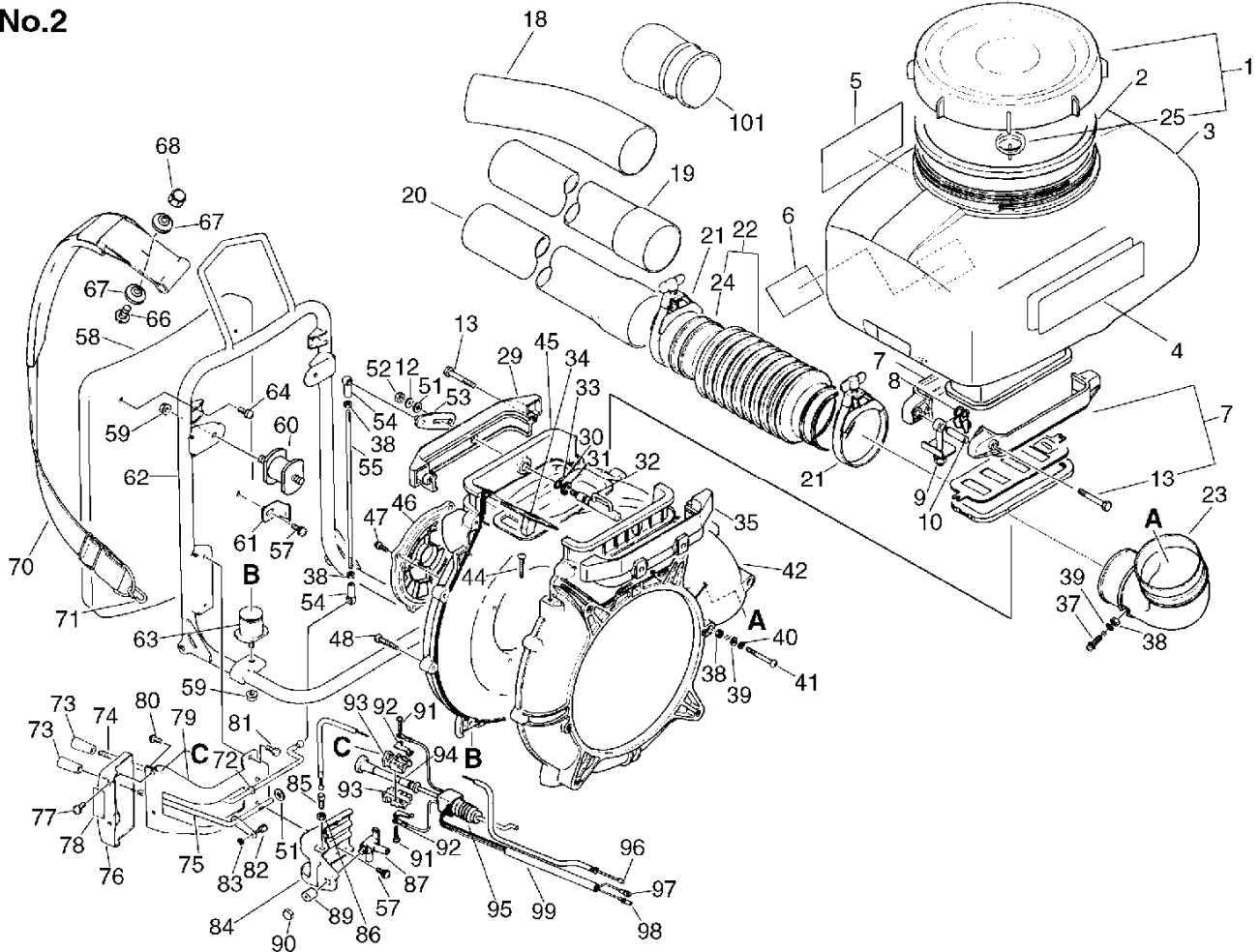
No.2



KEY	LV	PART NUMBER	Q'TY	DESCRIPTION	REMARKS	NOTE1	NOTE2
1		250001-05610	1	CAP, CHEMICAL TANK			
25	+	250013-00310	1	CAP, INSIDE			
2		250011-02011	1	PACKING			
3		250010-05810	1	TANK, CHEMICAL (23L)			
4		890135-10610	1	LABEL, CHEMICAL TANK			
5		890178-03710	1	LABEL, CAUTION			
6		890120-03710	1	LABEL, CAUTION			
7		250900-03610	1	HOLDER, C. TANK (BS)			
13	+	900249-05050	4	SCREW 5*50	5*50		
8		250925-02910	2	BRACKET, SHUTTER			
9		250907-03211	2	BOLT, TANK HOLDER			
10		250914-03210	2	PIN, TANK HOLDER			
12		900605-00006	1	WASHER, SPRING 6	6		
13		900249-05050	4	SCREW 5*50	5*50		
18		210023-00210	1	PIPE, CURVED (GY)			
19		210015-01110	1	PIPE, STRAIGHT (GY)			
20		210014-01610	1	PIPE, STRAIGHT			
21		210407-01110	2	CLAMP, FLEXIBLE PIPE			
22		210012-01710	1	PIPE, FLX. W/GASKET			
24	+	210032-04110	2	PACKING, FLX. PIPE			
23		210000-03810	1	ELBOW, BLOWING KIT (BS)			
29		270025-03810	1	HOLDER, C. TANK (BS)			
30		270217-01110	1	O-RING			
31		900703-00008	1	E-RING 8 SUS	CE-8 SUS		
		701004-02910	1	LEVER, DUSTER CNTRL			
32	+	270205-02911	1	SHAFT, SHUTTER			

## 2. Fan Case, Harness, Control Lever, Chemical Tank

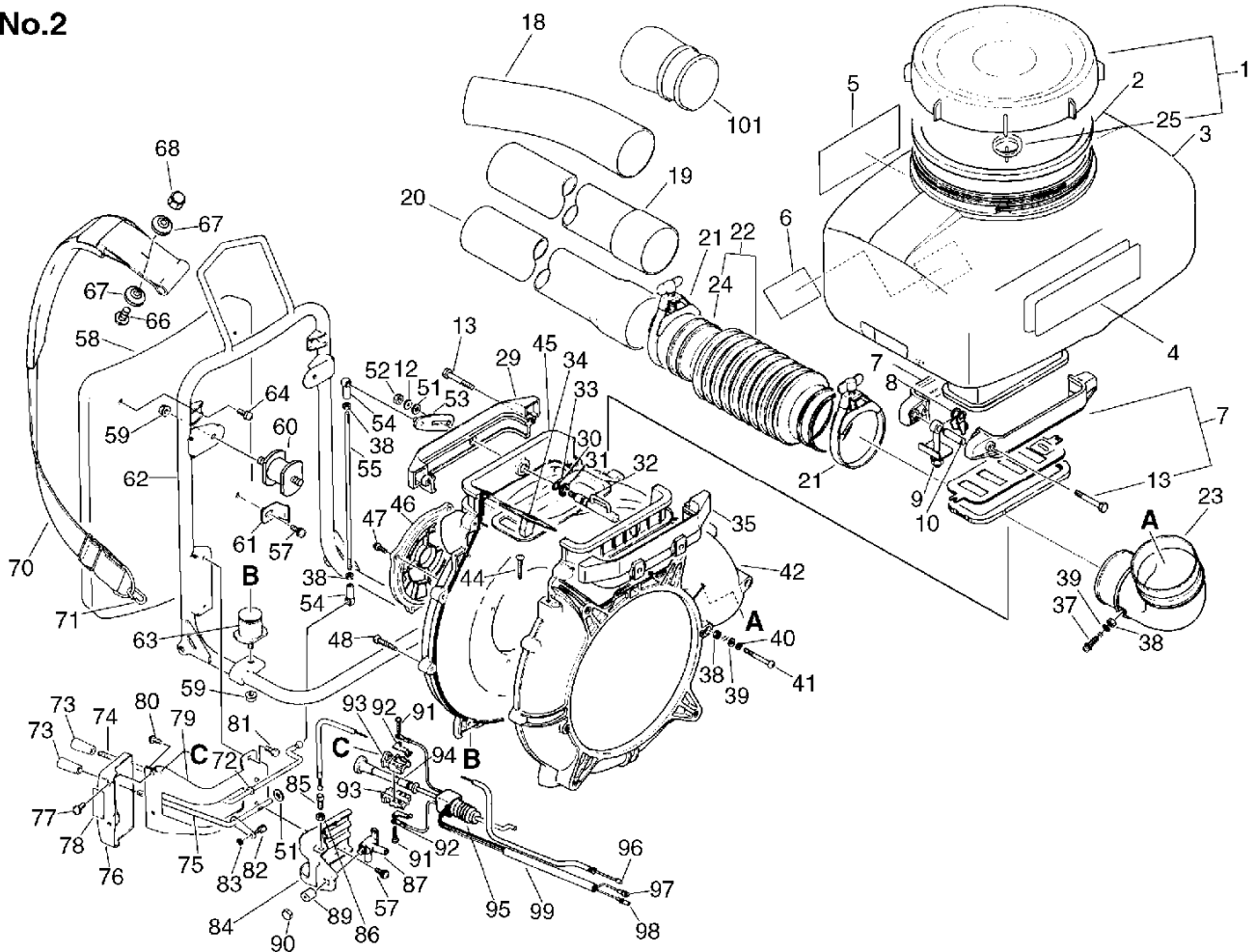
No.2



KEY	LV	PART NUMBER	Q'TY	DESCRIPTION	REMARKS	NOTE1	NOTE2
53	+	270206-02911	1	ARM, ADJUSTER			
72	+	900600-00006	1	WASHER 6	6		
74	+	701005-02911	1	LEVER, DUSTER CNTRL.			
33		370613-03210	1	PIPE, DUSTER			
34		370315-02910	1	GUIDE			
35		270010-03810	1	HOLDER, C. TANK (BS)			
37		900242-05018	1	SCREW 5*18	5*18		
38		900500-00005	5	NUT 5	5		
39		900600-00005	3	WASHER 5	5		
40		900605-00005	2	WASHER, SPRING 5	5		
41		210425-04110	2	BOLT			
42		200107-03810	1	CASE, FAN (BS)			
44		900249-05016	1	SCREW 5*16	5*16		
45		200105-03815	1	CASE, FAN W/CUSHION			
47	+	900242-05016	4	SCREW 5*16	5*16		
60	+	200910-04510	2	CUSHION			
46		200124-01111	1	GRID, FAN CASE (WH)			
48		900286-05025	8	SCREW 5*25 SUS	5*25 SUS		
51		900603-00006	2	WASHER 6	6.5*13*1		
52		900500-00006	1	NUT 6	6		
54		701020-01110	2	CONNECTOR			
55		701014-03210	1	ROD, CONTROL LEVER			
57		900242-05010	4	SCREW 5*10	5*10		
58		300105-03210	1	CUSHION			
59		900515-00006	4	NUT, FLANGE 6	6	Sus. by 900518-00006	

## 2. Fan Case, Harness, Control Lever, Chemical Tank

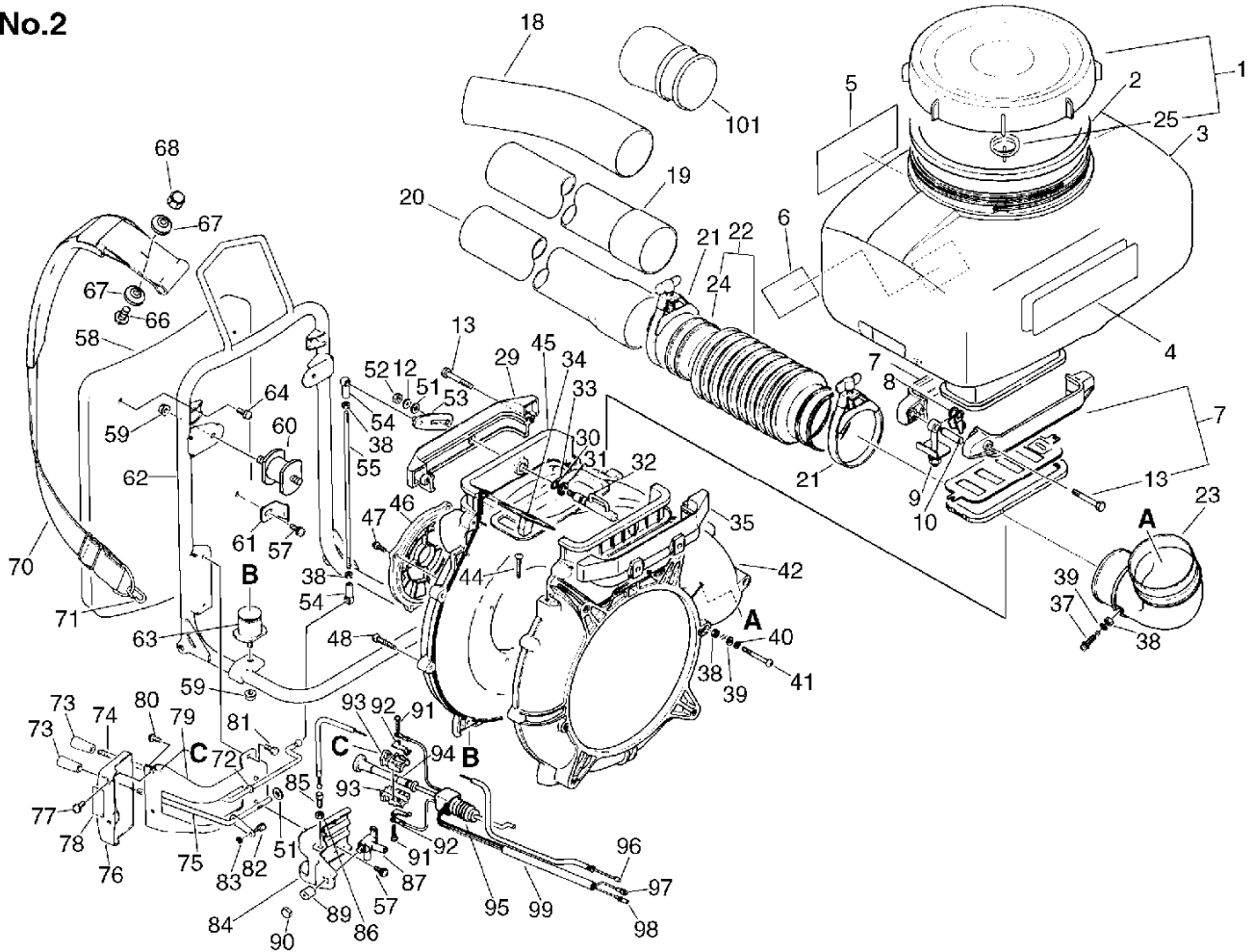
No.2



KEY	LV	PART NUMBER	Q'TY	DESCRIPTION	REMARKS	NOTE1	NOTE2
59		900518-00006	4	NUT, FLANGE	6		
61		300220-01110	2	BRACKET, CUSHION			
62		300010-03210	1	FRAME, KNAPSACK (WG)			
63		200916-03210	2	CUSHION			
64		900242-05012	2	SCREW 5*12	5*12		
70		300302-03210	2	HARNEES W/PAD		Sus. by 300302-07410	
70		300302-07410	2	HARNESS, W/PAD			
66	+	900216-05014	2	SCREW 5*14	5*14	Can be used on the 300302-03210 only	
66	+	900216-05016	2	SCREW, 5*16	5*16	Can be used on the 300302-07410 only	
67	+	300328-03210	4	WASHER, HARNESS			
68	+	900560-00005	2	NUT, LOCK 5	5		
71		300319-01611	2	RING, HARNESS		Can be used on the 300302-03210 only	
73		701021-02910	2	KNOB, LEVER			
75		178010-02910	1	CONTROL, THROTTLE			
76		701111-04110	1	DIAL			
77		900242-05012	2	SCREW 5*12	5*12		
78		890157-03710	1	LABEL, SWITCH			
79		701105-03210	1	BRACKET, DIAL			
80		900242-04010	2	SCREW 4*10	4*10		

## 2. Fan Case, Harness, Control Lever, Chemical Tank

No.2

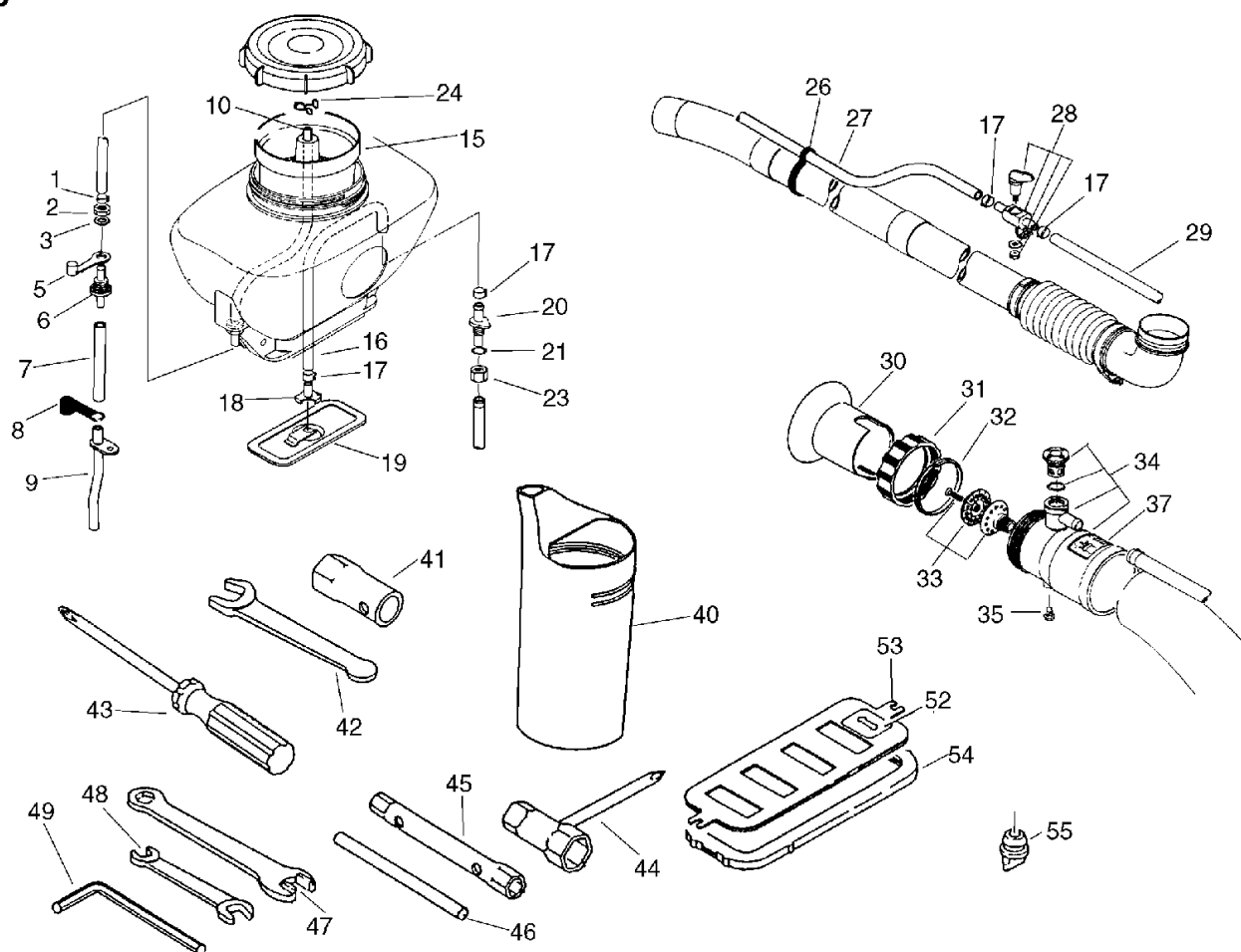


KEY	LV	PART NUMBER	Q'TY	DESCRIPTION	REMARKS	NOTE1	NOTE2
81		900142-05010	2	BOLT 5*10 (W/W,SW)	5*10		
82		178018-02910	1	SWIVEL			
83		900700-00003	1	E-RING 3	CE-3		
84		701110-03210	1	RETAINER			
85		178021-02910	1	ADJUSTER			
86		900502-00006	1	NUT 6 (3N)	3N6		
87		132200-03210	1	VALVE ASSY, FUEL			
89		132511-00660	1	WASHER			
90		900500-00004	1	NUT 4	4		
91		900246-03016	2	SCREW 3*16	3*16		
92		163412-00660	2	SPRING, SWITCH			
93		163410-00661	2	SWITCH			
94		163414-03210	1	ROD, SWITCH			
95		163910-00660	1	COVER, SWITCH			
96		178001-03310	1	WIRE, THROTTLE			
97		162010-02910	1	LEAD, GROUND			
98		162021-02910	1	LEAD			
99		178016-02910	1	TUBE (6*7*215)	6*7*215		
101		210002-03710	1	PIPE, SWIVEL			



## 3. Mist Blower, Tools

## No.3

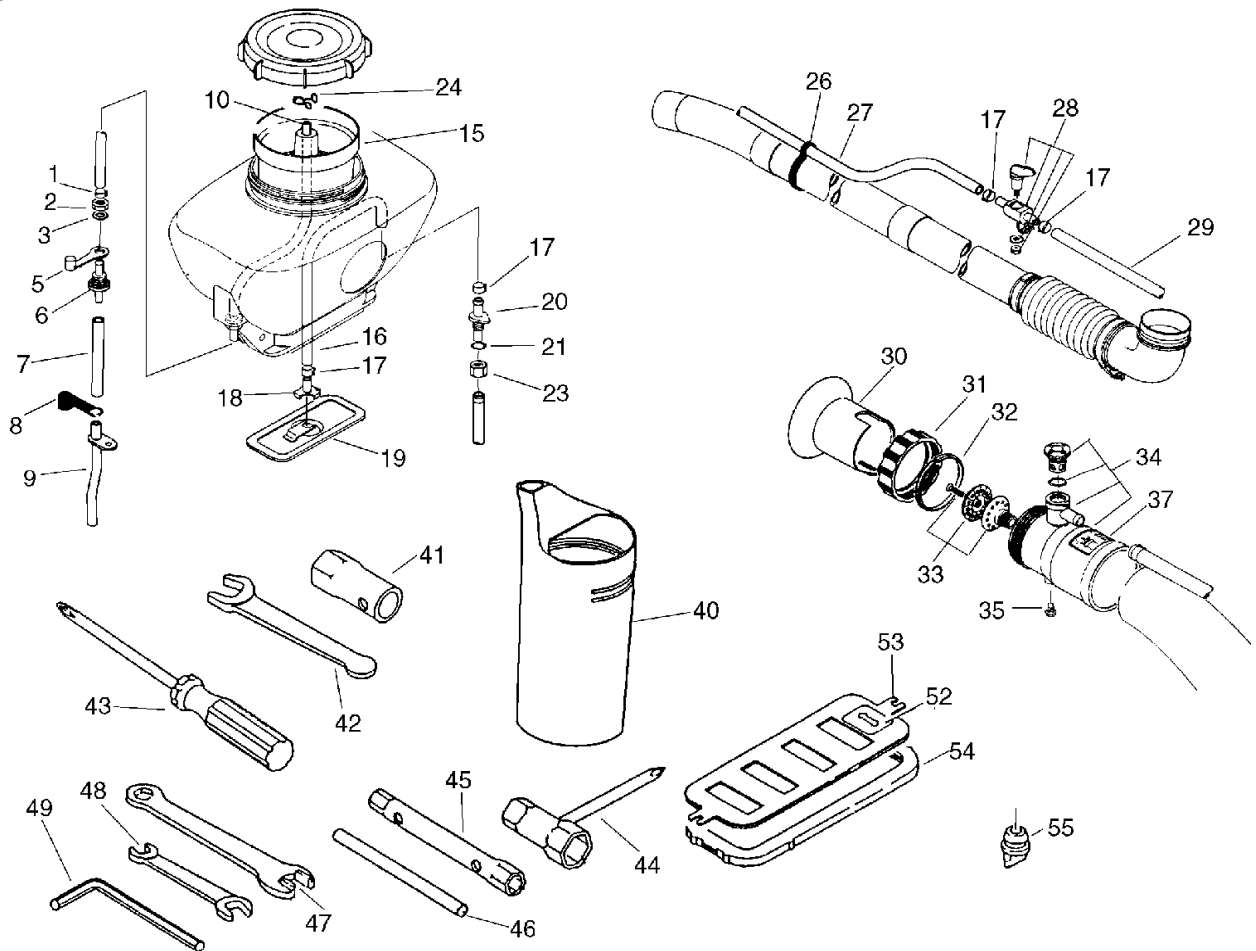


KEY	LV	PART NUMBER	Q'TY	DESCRIPTION	REMARKS	NOTE1	NOTE2
1		357013-00210	1	CLIP 11	11ミリ	Sus. by 132013-14010	
1		132013-14010	1	BAND	10.5MM		
2		363019-00310	1	NUT, CONNECTOR			
3		363018-00310	1	WASHER			
5		363022-00510	1	PLUG			
6		363017-00310	1	CONNECTOR, PIPE			
7		363024-03210	1	PIPE L-200	7*11*200BL		
8		363021-01110	1	PLUG			
9		363015-03210	1	PIPE, INTAKE		Sus. by E105-000000	
9		E105-000000	1	PIPE,AIR			
10		363014-03210	1	PIPE (INNER)	7*11*500BL		
15		254210-03210	1	FILTER			
16		355011-01110	1	PIPE	13*9*350L	Sus. by 382011-01110	
16		382011-01110	1	PIPE (9*13)	9*13*350		
17		357023-01110	5	CLIP 13		Sus. by V495-000310	
17		V495-000310	5	BAND			
18		355012-00910	1	PIECE, SUCTION			
19		253010-01111	1	PLATE, BASE			
20		357010-01110	1	NIPPLE, OUTLET			
21		357014-01110	1	O-RING	3*13		
23		357015-01110	1	NUT, HOLLOW			
24		363023-01110	1	CLIP			



### 3. Mist Blower, Tools

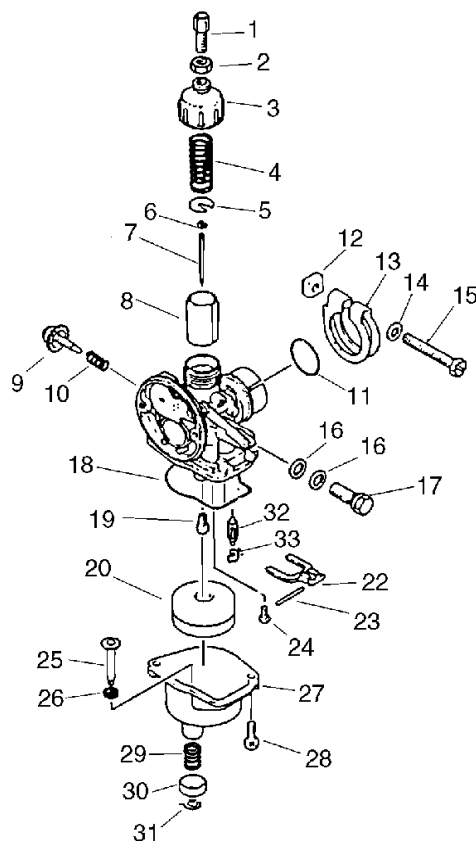
No.3



KEY	LV	PART NUMBER	Q'TY	DESCRIPTION	REMARKS	NOTE1	NOTE2
26		357911-00110	1	CLIP, PIPE			
27		357012-01110	1	PIPE (L-1050)	9*13*1050		
28		358100-01110	1	VALVE ASS'Y, PIPE			
29		357032-01110	1	PIPE (L-720)	9*13*720		
		212500-01111	1	NOZZLE ASS'Y, MISTBL			
30	+	212515-01110	1	COLLAR, NOZZLE			
31	+	212514-01110	1	NUT, MISTING NOZZLE			
32	+	212513-01110	1	RING, MISTING NOZZLE			
33	+	222000-01110	1	NOZZLE			
34	+	212501-01111	1	HEAD, NOZZLE BL	BL		
35	++	900246-05012	1	SCREW 5*12	5*12		
37	+	890031-01110	1	LABEL, MIST			
40		898520-17130	1	MIXER, FUEL			
41		895418-02830	1	WRENCH, BOX 14*17			
42		895123-03830	1	SPANNER 10*13			
43		895710-00430	1	DRIVER, SCREW			
44		895410-00430	1	WRENCH, W/S. DRIVER			
45		895413-00630	1	WRENCH, BOX 8*10			
46		895412-00230	1	ROD, HANDLE			
47		895120-01110	1	SPANNER 10*21			
48		895124-10110	1	SPANNER 7*8			
49		895611-00330	1	L-WRENCH (5MM)			
52		890132-01110	1	LABEL, CONTROL			
53		270101-02911	1	SHUTTER ASSY			
54	+	270119-02911	1	GASKET, SHUTTER			
55		250016-01110	1	PLUG			

## 4. Carburetor

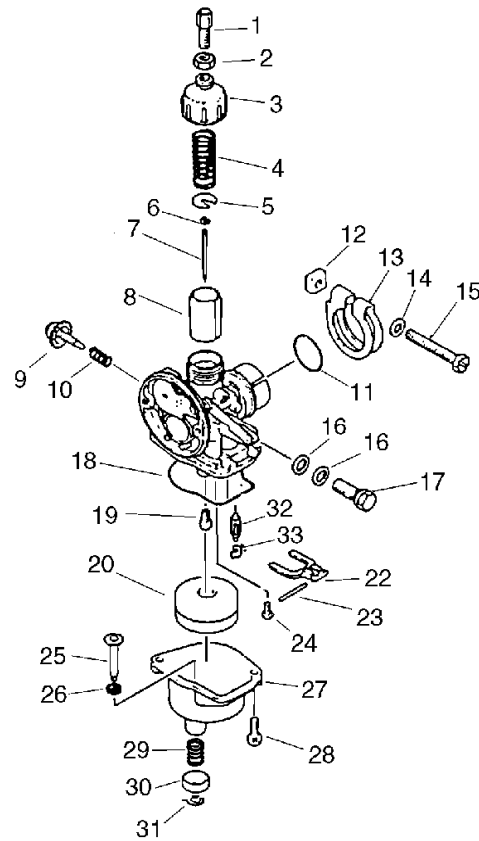
No.4



KEY	LV	PART NUMBER	Q'TY	DESCRIPTION	REMARKS	NOTE1	NOTE2
		120000-03711	1	CARBURETOR ASSY			
1	+	120158-03620	1	ADJUSTER, CABLE			
2	+	120111-04730	1	NUT			
3	+	120113-03710	1	COVER, TOP			
4	+	120114-03310	1	SPRING, THROTTLE			
5	+	120115-08020	1	SEAT, SPRING			
6	+	120116-10211	1	E-RING			
7	+	120103-03310	1	NEEDLE, JET W/CLIP			
8	+	120118-03310	1	VALVE, THROTTLE			
9	+	120159-27930	1	SCREW			
10	+	120160-01321	1	SPRING			
11	+	120125-02310	1	O-RING			
12	+	120151-10210	1	NUT, OUTLET CLIP			
13	+	120146-00220	1	CLIP, OUTLET			
14	+	900600-00005	1	WASHER 5	5		
15	+	120147-02910	1	SCREW, OUTLET CLIP			
16	+	120130-10210	2	GASKET			
17	+	120131-00120	1	BOLT, BANJO			
18	+	120123-10210	1	GASKET, F. CHAMBER			
19	+	120122-03210	1	JET, MAIN			
20	+	120133-05730	1	FLOAT			
22	+	120121-27430	1	ARM, FLOAT			
23	+	120132-10211	1	PIN, FLOAT ARM			
24	+	900220-04006	1	SCREW 4*6	4*6		
25	+	120177-03311	1	SHAFT, LINK			
26	+	120178-03311	1	O-RING			

## 4. Carburetor

No.4



KEY	LV	PART NUMBER	Q'TY	DESCRIPTION	REMARKS	NOTE1	NOTE2
27	+	120124-03311	1	CHAMBER, FLOAT			
28	+	900241-04012	2	SCREW 4*12	4*12		
29	+	120179-28930	1	SPRING, COIL			
30	+	120180-03311	1	COLLAR			
31	+	120181-03312	1	CLIP			
32	+	120102-27431	1	VALVE ASSY, NEEDLE			
33	+	120182-22430	1	CLIP			

**Index**

<b>Patrs Number</b>	<b>Key No.</b>	<b>Patrs Number</b>	<b>Key No.</b>	<b>Patrs Number</b>	<b>Key No.</b>
100000-03710	1 - 59	130016-01110	1 - 93	177221-06720	1 - 83
100010-03710	1 - 59	130017-01110	1 - 94	177226-03930	1 - 78
100011-17330	1 - 60	130307-03711	1 - 100	177227-02910	1 - 77
100012-12331	1 - 56	130310-02910	1 - 104	177228-11130	1 - 79
100013-00410	1 - 57	130311-03710	1 - 107	177242-02910	1 - 81
100015-00120	1 - 58	130313-03710	1 - 105	177243-04130	1 - 74
100100-03210	1 - 53	130317-03710	1 - 106	177246-03930	1 - 75
100142-00310	1 - 55	130319-03710	1 - 103	177305-40530	1 - 71
100200-03711	1 - 35	130320-03710	1 - 108	178001-03310	2 - 96
100213-00310	1 - 64	130510-02911	1 - 95	178010-02910	2 - 75
100213-02830	1 - 33	131003-05330	1 - 7	178016-02910	2 - 99
100215-05731	1 - 54	131003-21230	1 - 7	178018-02910	2 - 82
100242-03212	1 - 50	131004-03910	1 - 6	178021-02910	2 - 85
101010-05511	1 - 17	131010-03210	1 - 8	200005-03710	1 - 32
101011-03710	1 - 16	131016-21060	1 - 15	200105-03815	2 - 45
101514-03711	1 - 12	131016-21230	1 - 15	200107-03810	2 - 42
104016-03710	1 - 89	131604-07132	1 - 6	200124-01111	2 - 46
120000-03711	1 - 97	131910-03210	1 - 2	200910-04510	2 - 60
120000-03711	4 -	131918-02910	1 - 3	200916-03210	2 - 63
120102-27431	4 - 32	132010-03310	1 - 5	210000-03810	2 - 23
120103-03310	4 - 7	132012-03210	1 - 98	210002-03710	2 - 101
120111-04730	4 - 2	132013-14010	1 - 4	210012-01710	2 - 22
120113-03710	4 - 3	132013-14010	3 - 1	210014-01610	2 - 20
120114-03310	4 - 4	132024-00660	1 - 92	210015-01110	2 - 19
120115-08020	4 - 5	132200-03210	2 - 87	210023-00210	2 - 18
120116-10211	4 - 6	132511-00660	2 - 89	210032-04110	2 - 24
120118-03310	4 - 8	145510-03711	1 - 21	210407-01110	2 - 21
120121-27430	4 - 22	145610-05510	1 - 22	210425-04110	2 - 41
120122-03210	4 - 19	156111-03210	1 - 42	212500-01111	3 -
120123-10210	4 - 18	156114-03210	1 - 63	212501-01111	3 - 34
120124-03311	4 - 27	156601-03210	1 - 41	212513-01110	3 - 32
120125-02310	4 - 11	156627-03210	1 - 66	212514-01110	3 - 31
120130-10210	4 - 16	156800-03210	1 - 65	212515-01110	3 - 30
120131-00120	4 - 17	159010-10630	1 - 45	222000-01110	3 - 33
120132-10211	4 - 23	159011-00510	1 - 44	250001-05610	2 - 1
120133-05730	4 - 20	159011-03432	1 - 44	250010-05810	2 - 3
120146-00220	4 - 13	159012-01620	1 - 43	250011-02011	2 - 2
120147-02910	4 - 15	162010-02910	2 - 97	250013-00310	2 - 25
120151-10210	4 - 12	162021-02910	2 - 98	250016-01110	3 - 55
120158-03620	4 - 1	163410-00661	2 - 93	250900-03610	2 - 7
120159-27930	4 - 9	163412-00660	2 - 92	250907-03211	2 - 9
120160-01321	4 - 10	163414-03210	2 - 94	250914-03210	2 - 10
120177-03311	4 - 25	163910-00660	2 - 95	250925-02910	2 - 8
120178-03311	4 - 26	177200-03211	1 -	253010-01111	3 - 19
120179-28930	4 - 29	177209-03211	1 - 84	254210-03210	3 - 15
120180-03311	4 - 30	177214-02830	1 - 72	270010-03810	2 - 35
120181-03312	4 - 31	177215-04130	1 - 76	270025-03810	2 - 29
120182-22430	4 - 33	177216-12330	1 - 80	270101-02911	3 - 53
130011-03710	1 - 91	177220-03930	1 - 82	270119-02911	3 - 54

**Index**

<b>Patrs Number</b>	<b>Key No.</b>	<b>Patrs Number</b>	<b>Key No.</b>	<b>Patrs Number</b>	<b>Key No.</b>
270205-02911	2 - 32	890154-12730	1 - 10	900515-00006	2 - 59
270206-02911	2 - 53	890157-03710	2 - 78	900518-00006	2 - 59
270217-01110	2 - 30	890178-03710	2 - 5	900560-00005	2 - 68
300010-03210	2 - 62	890187-03710	1 - 109	900600-00005	2 - 39
300105-03210	2 - 58	895120-01110	3 - 47	900600-00005	4 - 14
300220-01110	2 - 61	895123-03830	3 - 42	900600-00006	2 - 72
300302-03210	2 - 70	895124-10110	3 - 48	900600-00010	1 - 31
300302-07410	2 - 70	895410-00430	3 - 44	900602-00008	1 - 68
300319-01611	2 - 71	895412-00230	3 - 46	900603-00006	2 - 51
300328-03210	2 - 67	895413-00630	3 - 45	900605-00004	1 - 70
355011-01110	3 - 16	895418-02830	3 - 41	900605-00005	2 - 40
355012-00910	3 - 18	895611-00330	3 - 49	900605-00006	2 - 12
357010-01110	3 - 20	895710-00430	3 - 43	900605-00010	1 - 30
357012-01110	3 - 27	898520-17130	3 - 40	900700-00003	2 - 83
357013-00210	1 - 4	900142-05010	2 - 81	900702-00035	1 - 51
357013-00210	3 - 1	900142-05040	1 - 34	900703-00008	2 - 31
357014-01110	3 - 21	900142-06020	1 - 1	900810-36202	1 - 52
357015-01110	3 - 23	900162-06020	1 - 14	E105-000000	3 - 9
357023-01110	3 - 17	900216-05014	2 - 66	V495-000310	3 - 17
357032-01110	3 - 29	900216-05016	2 - 66		
357911-00110	3 - 26	900220-04006	4 - 24		
358100-01110	3 - 28	900220-04008	1 - 73		
363014-03210	3 - 10	900241-04012	4 - 28		
363015-03210	3 - 9	900242-04010	2 - 80		
363017-00310	3 - 6	900242-04014	1 - 102		
363018-00310	3 - 3	900242-04016	1 - 85		
363019-00310	3 - 2	900242-04020	1 - 40		
363021-01110	3 - 8	900242-05010	1 - 13		
363022-00510	3 - 5	900242-05010	1 - 13		
363023-01110	3 - 24	900242-05010	2 - 57		
363024-03210	3 - 7	900242-05012	2 - 64		
370315-02910	2 - 34	900242-05012	2 - 77		
370613-03210	2 - 33	900242-05014	1 - 26		
382011-01110	3 - 16	900242-05016	2 - 47		
701004-02910	2 -	900242-05018	2 - 37		
701005-02911	2 - 74	900242-05020	1 - 37		
701014-03210	2 - 55	900242-05025	1 - 67		
701020-01110	2 - 54	900242-06020	1 - 96		
701021-02910	2 - 73	900246-03016	2 - 91		
701105-03210	2 - 79	900246-05012	3 - 35		
701110-03210	2 - 84	900249-05016	2 - 44		
701111-04110	2 - 76	900249-05050	2 - 13		
890031-01110	3 - 37	900249-05050	2 - 13		
890112-03710	1 - 9	900286-05025	2 - 48		
890112-17830	1 - 86	900500-00004	2 - 90		
890120-03710	2 - 6	900500-00005	2 - 38		
890121-00660	1 - 99	900500-00006	2 - 52		
890132-01110	3 - 52	900501-00010	1 - 29		
890135-10610	2 - 4	900502-00006	2 - 86		

# YAMABIKO CORPORATION

7-2 SUEHIROCHO 1-CHOME, OHME, TOKYO 198-8760, JAPAN  
PHONE: 81-428-32-6118. FAX: 81-428-32-6145.

**ECHO**®



5500  
No.