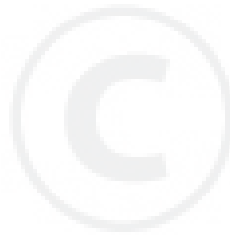


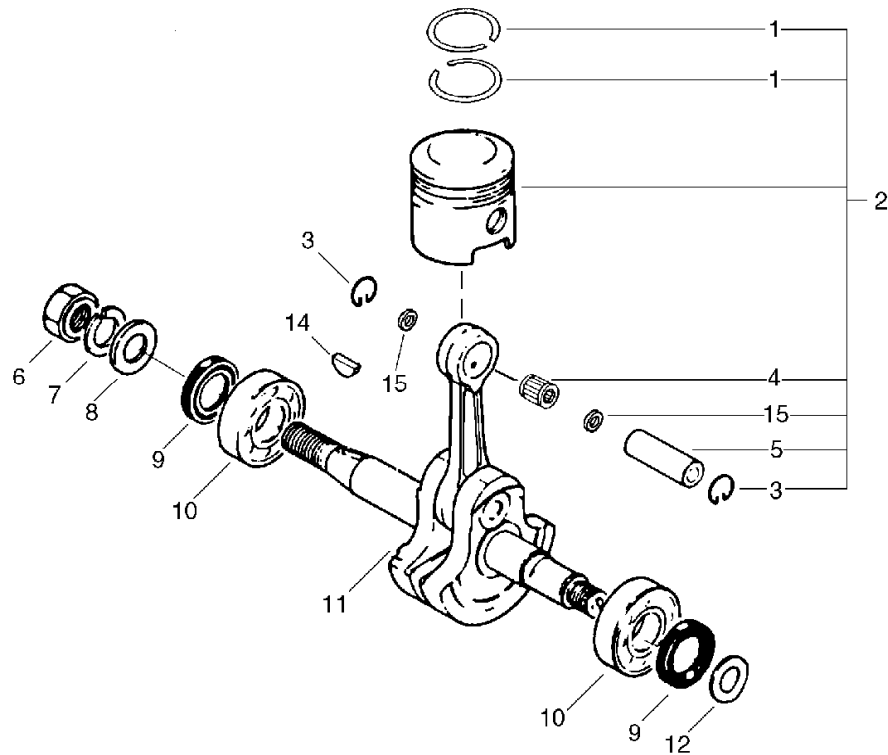


**PARTS CATALOG**  
**DUSTER / MIST BLOWER**  
**DM-9**



# 1. Piston

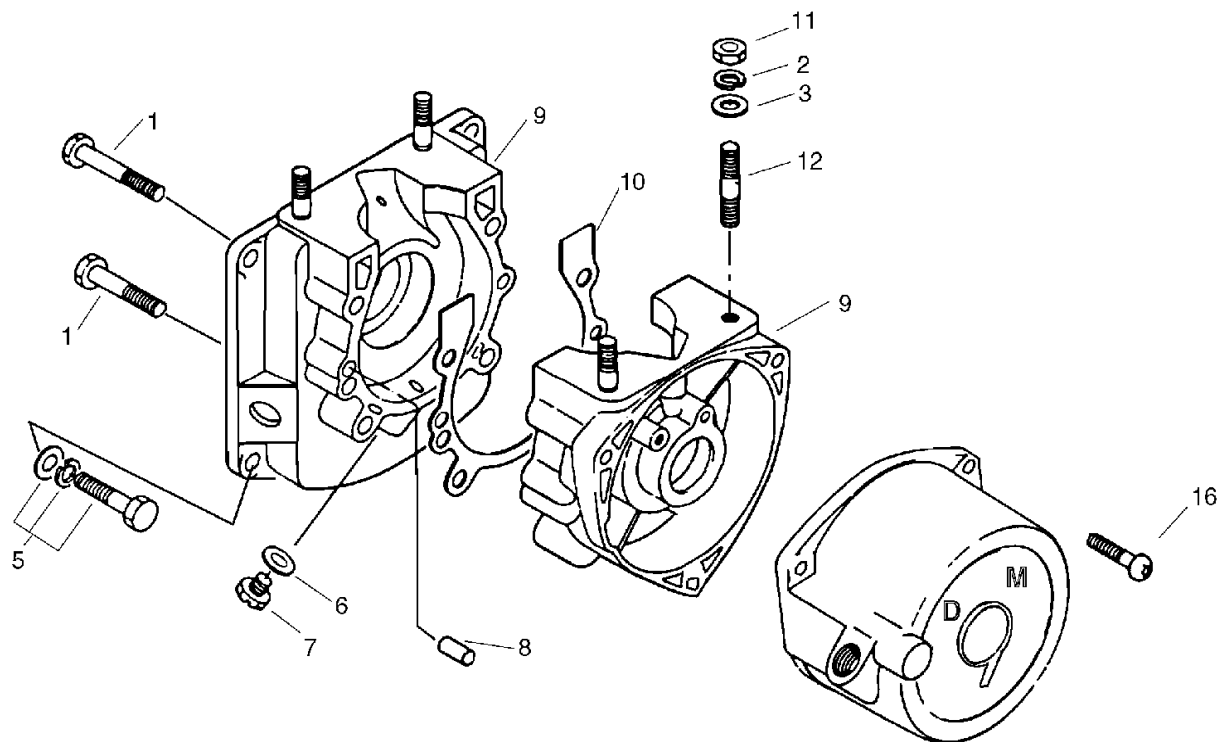
## No.1



KEY	LV	PART NUMBER	Q'TY	DESCRIPTION	REMARKS	NOTE1	NOTE2
2		100000-02411	1	PISTON KIT		Sus. by 100000-02412	
2		100000-02412	1	PISTON KIT			
1	+	100011-01110	2	RING, PISTON			
3	+	100015-00120	2	CIRCLIP, PISTON PIN			
4	+	100012-12330	1	BEARING, NEEDLE		Sus. by 100012-12331	
4	+	100012-12331	1	BEARING, NEEDLE			
5	+	100013-00410	1	PIN, PISTON	6*10*29.8		
15	+	100014-17330	2	SPACER, PISTON PIN		Sus. by 100014-02260	
15	+	100014-02260	2	WASHER			
6		100134-01110	1	NUT (C-F)	11*1.25		
7		100133-01110	1	WASHER, SPRING (C-F)			
8		100136-01110	1	WASHER (C-F)			
9		100213-00310	2	OILSEAL	ISCD 15 25 7		
10		900810-36202	2	BEARING, BALL 6202	6202/C3		
11		100100-01111	1	CRANKSHAFT ASSY			
12		175015-00120	1	WASHER		Sus. by 900617-00010	
12		900617-00010	1	WASHER 10	10(10.5*18*2)		
14		100142-00310	1	KEY, WOODRUFF (M)			

## 2. Crankcase

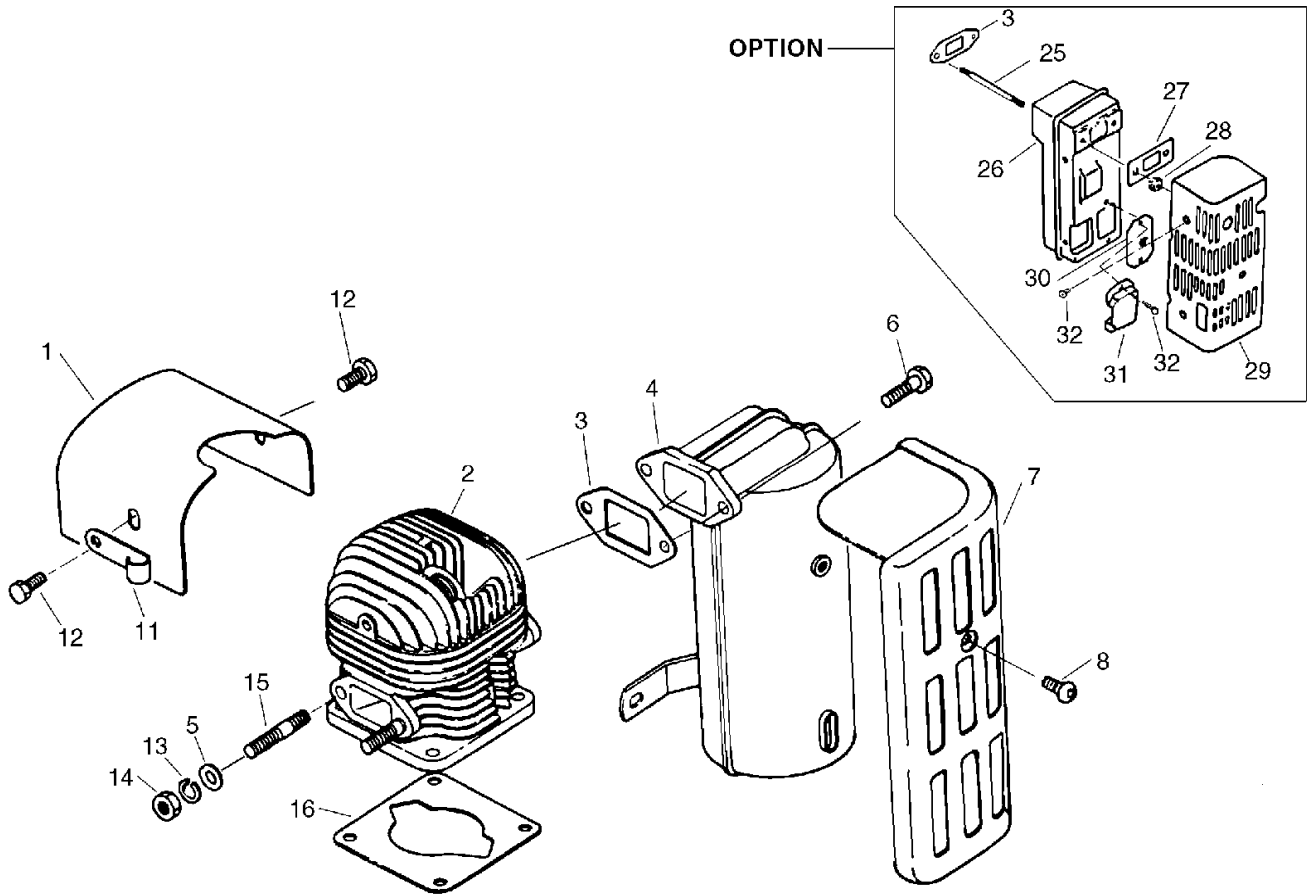
No.2



KEY	LV	PART NUMBER	Q'TY	DESCRIPTION	REMARKS	NOTE1	NOTE2
1		100244-01111	4	BOLT			
2		900605-00006	4	WASHER, SPRING 6	6		
3		900600-00006	4	WASHER 6	6		
5		900142-06025	4	BOLT 6*25 (W/W,SW)	6*25		
6		131310-00230	1	GASKET			
7		100510-00310	1	BOLT, DRAIN			
9		100200-01110	1	CRANKCASE SET			
8	+	100215-02830	2	PIN, DOWEL			
10		100242-01110	1	GASKET, CRANKCASE			
11		900500-00006	4	NUT 6	6		
12		100254-00130	4	STUD			
16		900242-05016	3	SCREW 5*16	5*16		

### 3. Cylinder, Muffler

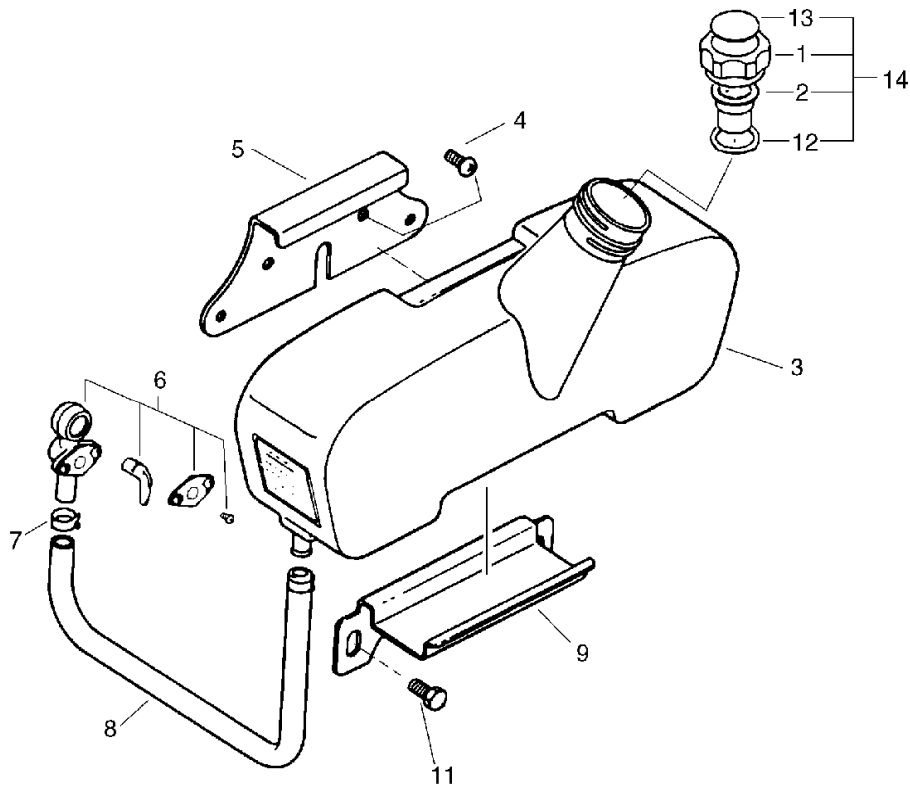
No.3



KEY	LV	PART NUMBER	Q'TY	DESCRIPTION	REMARKS	NOTE1	NOTE2
		145803-01112	1	MUFFLER ASSY		OPTION	
3	+	145510-01111	1	GASKET, MUFFLER			
25	+	101014-00760	2	STUD,BOLT			
26	+	145806-01110	1	MUFFLER			
27	+	145642-00762	1	WASHER			
28	+	900560-00006	2	NUT, LOCK	6		
29	+	145871-01110	1	COVER, MUFFLER			
30	+	145862-01110	1	SCREEN, MUFFLER			
31	+	145863-01111	1	HOLDER, SCREEN (SAM)			
32	+	900242-05010	5	SCREW 5*10	5*10		
1		101514-01110	1	COVER, CYLINDER			
2		101000-00762	1	CYLINDER			
3		145510-01111	1	GASKET, MUFFLER			
4		145610-01110	1	MUFFLER (SL)			
5		900600-00006	5	WASHER 6	6		
6		900142-06020	2	BOLT 6*20 (W/W,SW)	6*20		
7		145621-01110	1	COVER, MUFFLER			
8		900242-05014	2	SCREW 5*14	5*14		
11		159110-01110	1	CLIP			
12		900140-06010	2	BOLT 6*10	6*10		
13		900605-00006	2	WASHER, SPRING 6	6		
14		900500-00006	2	NUT 6	6		
15		101013-01110	2	STUD			
16		101010-01111	1	GASKET, CYL. BASE			

## 4. Fuel Tank

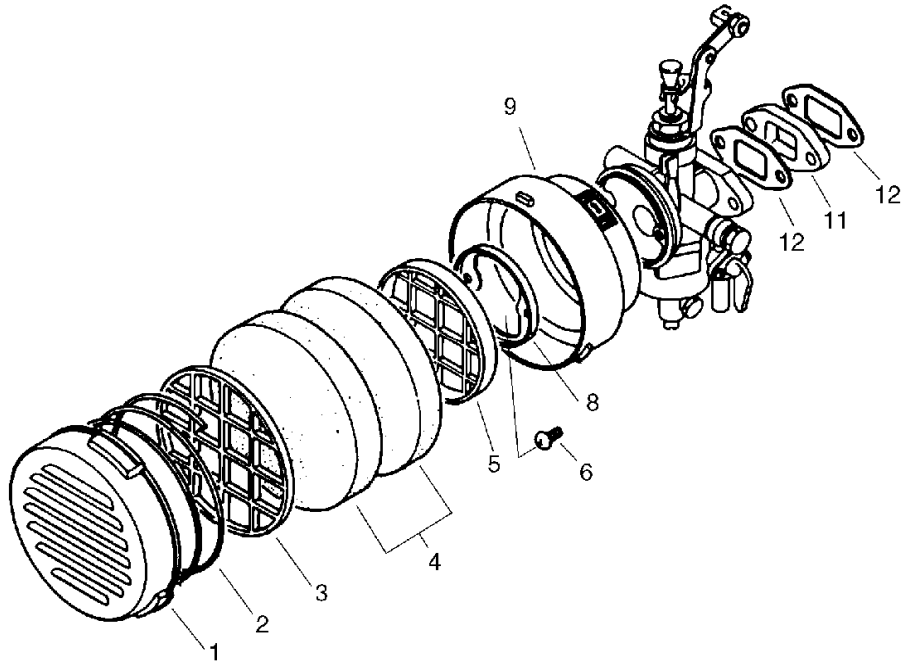
No.4



KEY	LV	PART NUMBER	Q'TY	DESCRIPTION	REMARKS	NOTE1	NOTE2
14		131604-07132	1	CAP ASSY, FUEL TANK		Sus. by 131004-03910	
14		131004-03910	1	CAP ASSY, FUEL TANK			
1	+	131017-05330	1	CAP, FUEL TANK			
2	+	131003-05330	1	CUP SET, VENT			
12	+	131016-21230	1	GASKET, FUEL CAP			
13	+	890154-12730	1	LABEL, FUEL MIX			
3		131010-01112	1	TANK, FUEL			
4		900242-05014	4	SCREW 5*14	5*14		
5		131910-01111	1	BRACKET, F. TANK (A)			
6		132200-00512	1	VALVE ASSY, FUEL			
7		357013-00210	2	CLIP 11	11ミリ	Sus. by 132013-14010	
7		132013-14010	2	BAND	10.5MM		
8		132010-01110	1	PIPE, FUEL	7*11*255L		
9		131918-01110	1	BRACKET, F. TANK (B)			
11		900146-06012	2	BOLT 6*12 (W/W)	6*12 Wタ`イキ		

## 5. Air Cleaner

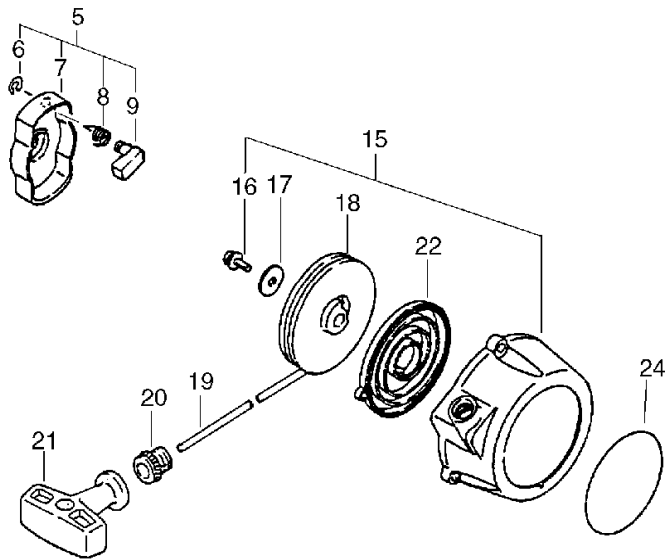
No.5



KEY	LV	PART NUMBER	Q'TY	DESCRIPTION	REMARKS	NOTE1	NOTE2
1		130313-01110	1	COVER, AIR CLEANER			
2		130316-00410	1	SPRING, AIR CLEANER			
3		130311-01110	1	GRID, AIR CLEANER L			
4		130310-00410	2	FILTER, AIR			
5		130319-01110	1	GRID, AIR CLEANER (S			
6		900242-04014	2	SCREW 4*14	4*14		
8		130420-00110	1	BRACKET, AIR CLEANER			
9		130314-01110	1	CASE, AIR CLEANER			
11		130017-01110	1	INSULATOR			
12		130016-01110	2	GASKET, CARBURETOR			

## 6. Starter

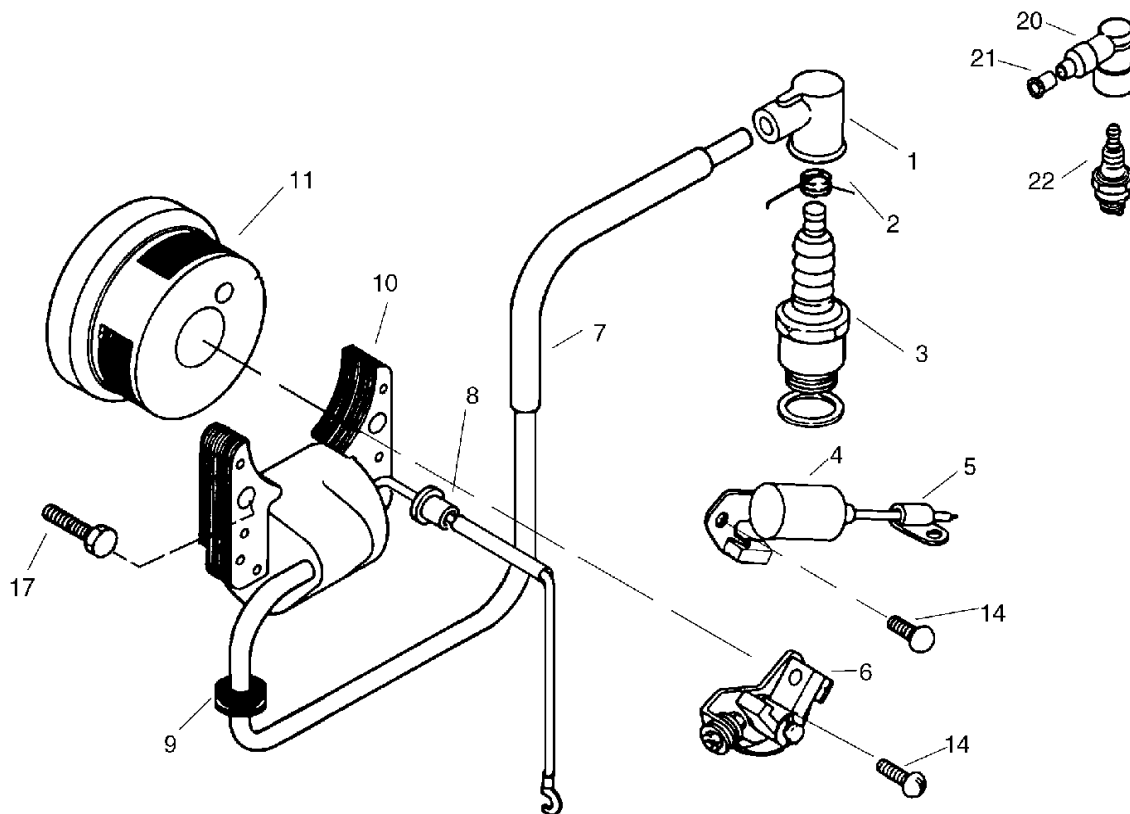
No.6



KEY	LV	PART NUMBER	Q'TY	DESCRIPTION	REMARKS	NOTE1	NOTE2
5		177202-02110	1	PAWL ASSY, STARTER			
6	+	900700-00004	1	E-RING 4	CE-4		
7	+	177210-02110	1	CATCHER PAWL			
8	+	177234-40630	1	SPRING, RETURN			
9	+	177218-40630	1	PAWL, STARTER	WHITE		
15		177200-02110	1	STARTER ASSY			
16	+	177236-40630	1	SCREW			
17	+	177214-41030	1	WASHER			
18	+	177215-43130	1	DRUM, STARTER			
19	+	177226-01110	1	ROPE, STARTER	4.0*880		
20	+	177227-42030	1	GUIDE, ROPE			
21	+	177228-11120	1	GRIP, STARTER			
22	+	177220-40630	1	SPRING, REWIND			
24		890112-17830	1	LABEL, ECHO			

# 7. Magneto

No.7

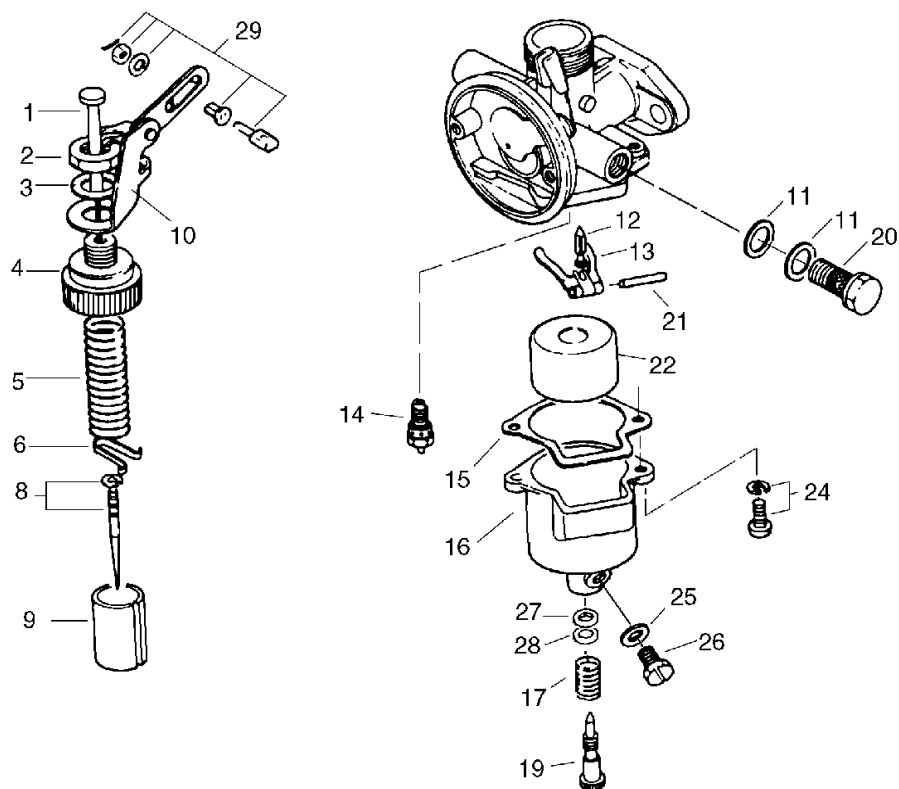


KEY	LV	PART NUMBER	Q'TY	DESCRIPTION	REMARKS	NOTE1	NOTE2
1		159012-01620	1	CAP, SPARK PLUG			
2		159011-00510	1	COIL, SPARK PLUG CAP			
3		159010-00330	1	PLUG, SPARK (BM-6A)	BM-6A		
4		150127-00910	1	CONDENSER			
5		159112-01110	1	CLIP			
6		150101-00910	1	POINTS, BREAKER			
7		150111-01110	1	TUBE			
8		150114-00310	1	BUSHING			
9		150112-00310	1	BUSHING			
10		150126-01110	1	COIL, IGNITION			
11		150200-01110	1	FLYWHEEL			
14		900242-04010	2	SCREW 4*10	4*10		
17		900242-05025	2	SCREW 5*25	5*25		
20		159012-10230	1	CAP, SPARK PLUG			
21		159016-05330	1	ADAPTER, PLUG CAP			
22		159010-10130	1	PLUG, SPARK (BMR-6A)	BMR-6A		



## 8. Carburetor

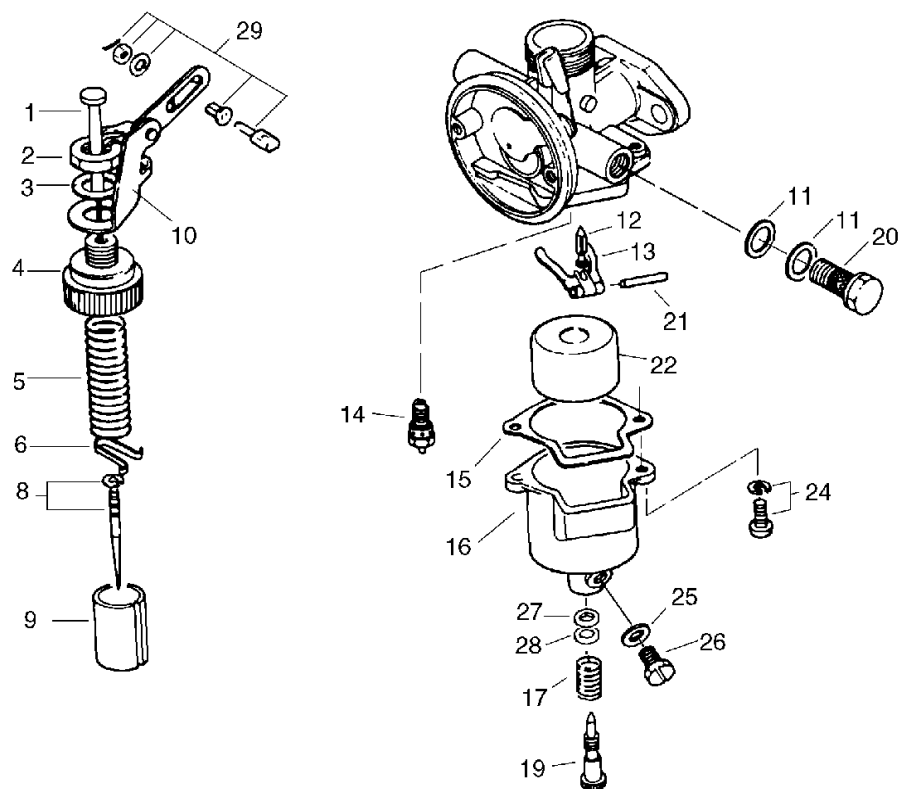
No.8



KEY	LV	PART NUMBER	Q'TY	DESCRIPTION	REMARKS	NOTE1	NOTE2
		120000-01112	1	CARBURETOR ASSY			
1	+	120110-00220	1	BAR, LINK			
2	+	120111-00120	1	NUT			
3	+	120112-00120	1	WASHER			
4	+	120113-01110	1	COVER, TOP			
5	+	120114-00220	1	SPRING, THROTTLE			
6	+	120115-01110	1	SEAT, SPRING			
8	+	120103-01111	1	NEEDLE, JET W/CLIP			
9	+	120118-01111	1	VALVE, THROTTLE			
10	+	120100-01110	1	LEVER ASSY			
11	+	120130-00120	2	GASKET			
12	+	120102-01110	1	VALVE ASSY, NEEDLE			
13	+	120121-01110	1	ARM, FLOAT			
14	+	120122-01111	1	JET, MAIN			
15	+	120123-01110	1	GASKET, F. CHAMBER			
16	+	120124-01111	1	CHAMBER, FLOAT			
17	+	120129-01110	1	SPRING, COIL			
19	+	120128-01110	1	ADJUSTER, MAIN JET			
20	+	120131-00120	1	BOLT, BANJO			
21	+	120132-00120	1	PIN, FLOAT ARM			
22	+	120133-01110	1	FLOAT			
24	+	900241-04014	2	SCREW 4*14	4*14		
25	+	120136-00120	1	GASKET, DRAIN			
26	+	900220-04006	1	SCREW 4*6	4*6		
27	+	120125-01110	1	O-RING			
28	+	120126-01110	1	WASHER			

# 8. Carburetor

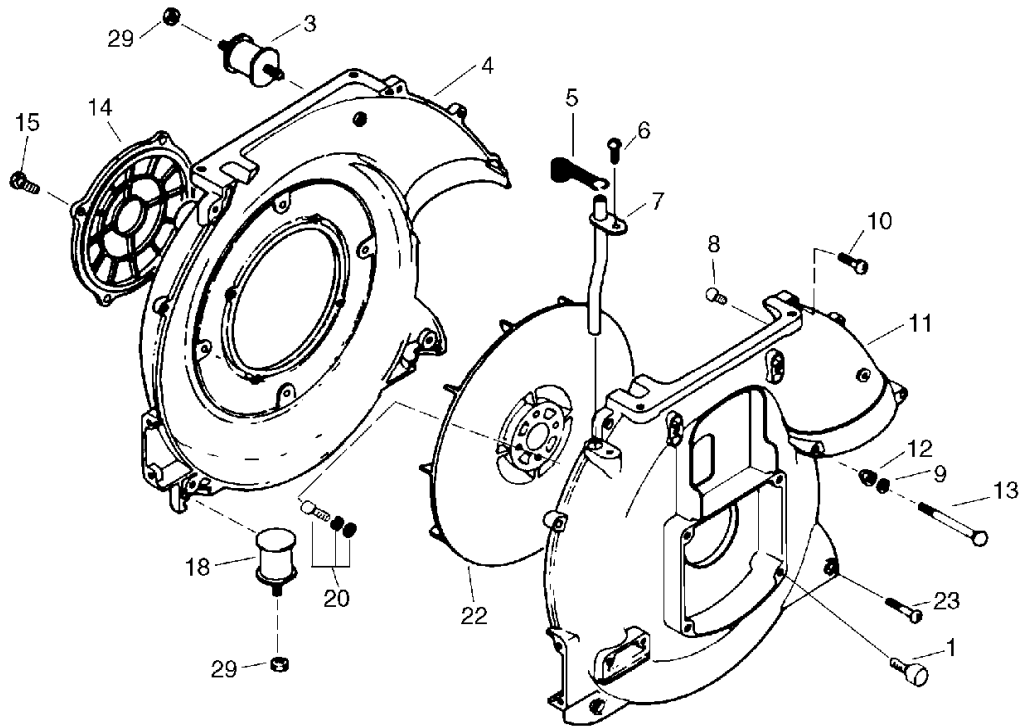
No.8



KEY	LV	PART NUMBER	Q'TY	DESCRIPTION	REMARKS	NOTE1	NOTE2
29	+	120101-01110	1	HOLDER ASSY, CABLE			

## 9. Fan Case

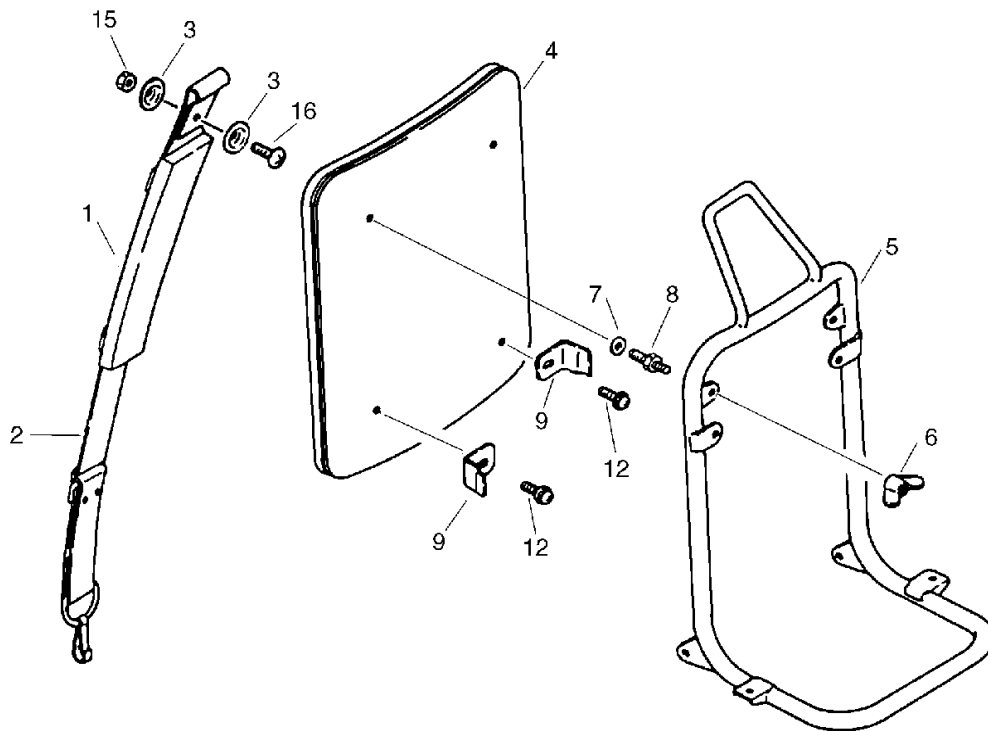
No.9



KEY	LV	PART NUMBER	Q'TY	DESCRIPTION	REMARKS	NOTE1	NOTE2
1		900142-06020	1	BOLT 6*20 (W/W,SW)	6*20		
3		200910-01110	2	CUSHION (U)			
4		200110-01811	1	CASE, FAN (BS)			
5		363021-01110	1	PLUG			
6		900242-05010	1	SCREW 5*10	5*10		
7		363015-01110	1	PIPE, INTAKE			
8		900220-04008	1	SCREW 4*8	4*8		
9		900600-00005	2	WASHER 5	5		
10		900242-05020	4	SCREW 5*20	5*20		
11		200111-01810	1	CASE, FAN (BS)			
12		900530-00005	2	NUT, CAP 5	5		
13		210416-01110	2	BOLT, ELBOW			
14		200124-01111	1	GRID, FAN CASE (WH)			
15		900146-06014	4	BOLT 6*14 (W/W)	6*14		
18		200916-01110	2	CUSHION (L)			
20		900142-05016	4	BOLT 5*16 (W/W,SW)	5*16		
22		200010-01110	1	FAN			
23		900242-05025	2	SCREW 5*25	5*25		
29		900515-00006	4	NUT, FLANGE 6	6		

**10. Harness**

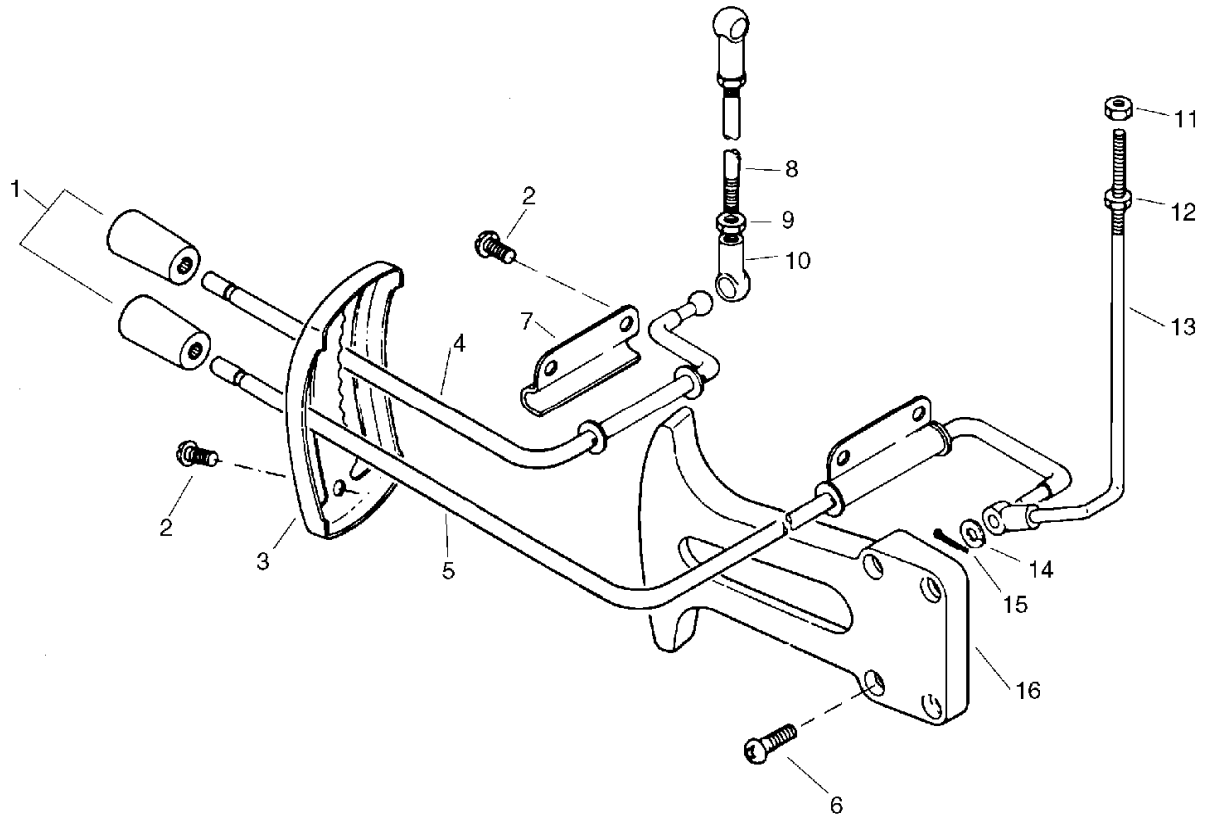
No.10



KEY	LV	PART NUMBER	Q'TY	DESCRIPTION	REMARKS	NOTE1	NOTE2
1		300322-03210	2	PAD, KNAPSACK HARNES		Sus. by 300322-13210	
1		300322-13210	2	PAD, KNAPSACK HARNES			
2		300302-02110	2	HARNEES W/PAD			
3	+	300328-03210	4	WASHER, HARNESS			
15	+	900560-00005	2	NUT, LOCK 5	5		
16	+	900216-05014	2	SCREW 5*14	5*14		
4		300105-01110	1	PAD, KNAPSACK			
5		300005-01610	1	FRAME, KNAPSACK (BL)			
6		300218-01110	2	NUT, WING 5			
7		300217-00610	2	WASHER			
8		300219-01110	2	STUD			
9		300220-01110	2	BRACKET, CUSHION			
12		900242-05010	2	SCREW 5*10	5*10		

# 11. Control Lever

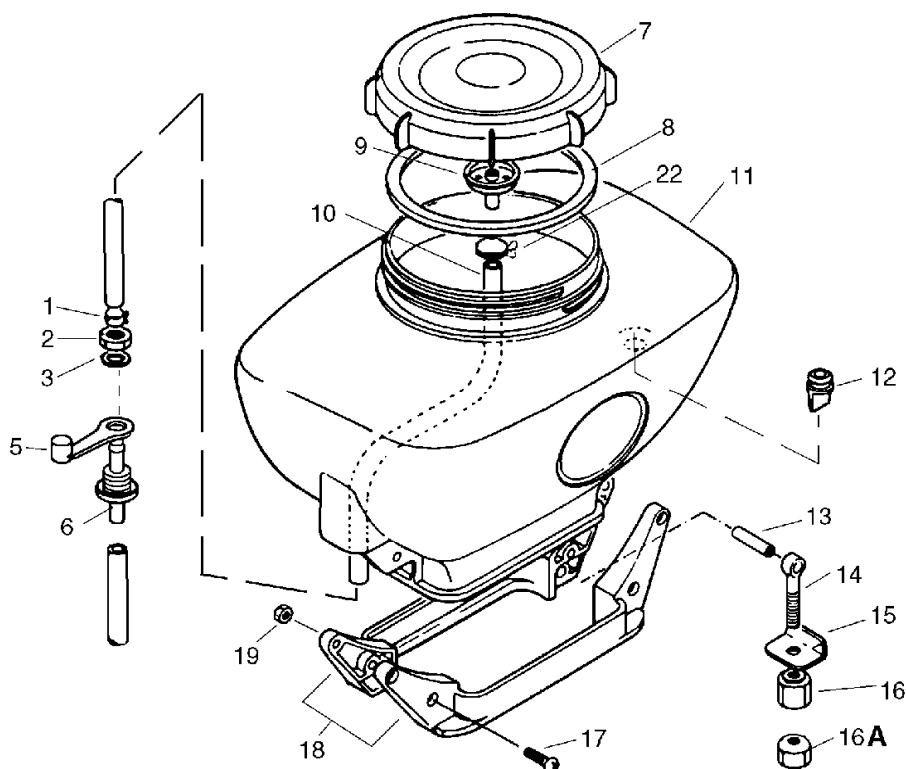
No.11



KEY	LV	PART NUMBER	Q'TY	DESCRIPTION	REMARKS	NOTE1	NOTE2
1		178023-01110	2	KNOB, THR. CONTROL			
2		900242-05010	6	SCREW 5*10	5*10		
3		701111-01110	1	DIAL			
4		701005-01110	1	LEVER, DUSTER CNTRL.			
5		178005-01610	1	CONTROL, THROTTLE			
6		900242-05020	4	SCREW 5*20	5*20		
7		178114-01110	2	HOLDER, THR. LEVER			
8		701014-01110	1	ROD, CONTROL LEVER			
9		900500-00005	2	NUT 5	5		
10		701020-01110	2	CONNECTOR			
11		178021-01110	1	NUT, THROTTLE ROD			
12		900500-00004	1	NUT 4	4		
13		178011-01110	1	ROD, THROTTLE			
14		900600-00004	1	WASHER 4	4		
15		900300-16010	1	PIN, SPLIT 1.6*10	1.6*10		
16		701112-01810	1	BRACKET, DIAL (BS)			

## 12. Chemical Tank

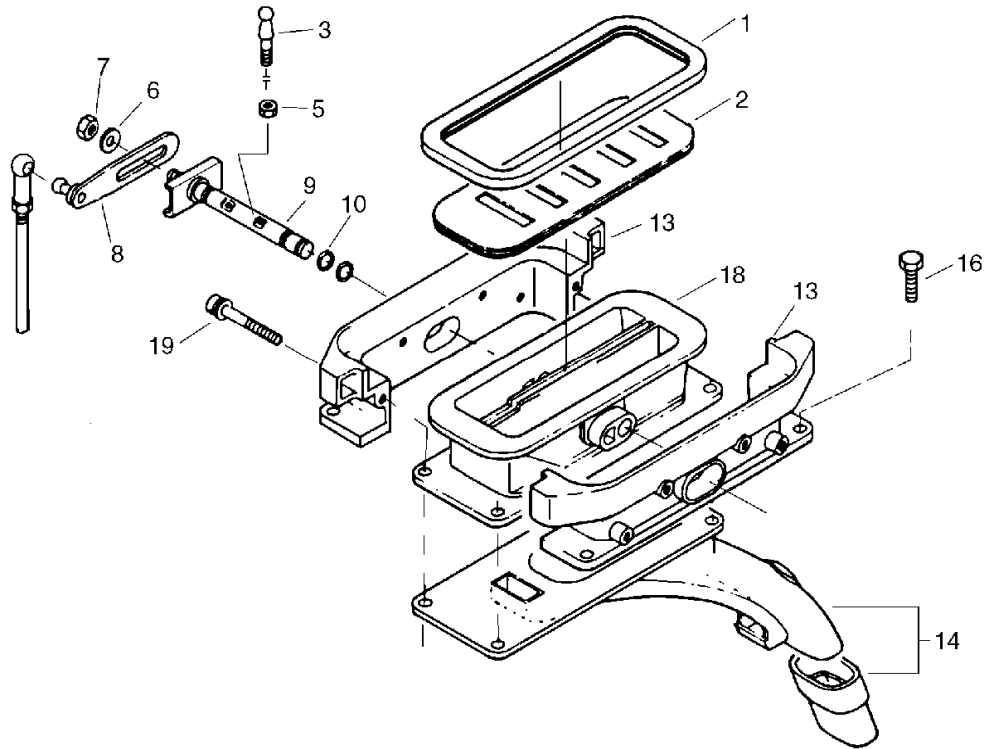
No.12



KEY	LV	PART NUMBER	Q'TY	DESCRIPTION	REMARKS	NOTE1	NOTE2
1		357013-00210	1	CLIP 11	11ミリ	Sus. by 132013-14010	
1		132013-14010	1	BAND	10.5MM		
2		363019-00310	1	NUT, CONNECTOR			
3		363018-00310	1	WASHER			
5		363022-00510	1	PLUG			
6		363017-00310	1	CONNECTOR, PIPE			
7		250001-01110	1	CAP, CHEMICAL TANK			
8		250011-01110	1	GASKET, CHMCL. TANK			
9		250013-00310	1	CAP, INSIDE			
10		363014-00310	1	PIPE (INNER)	7*11*400BL		
11		250000-01111	1	TANK, CHEMICAL			
11		250003-01111	1	TANK, CHEMICAL			
11		250000-01611	1	TANK, CHEMICAL 13L			
12		250016-01110	1	PLUG			
13		250914-03210	2	PIN, TANK HOLDER			
14		250915-01110	2	BOLT, TANK HOLDER			
15		250918-01110	2	WASHER, TANK HOLDER			
16		250916-01110	2	NUT, TANK HOLDER			
16A		900504-00008	2	NUT 8B	8B		
17		900242-05030	4	SCREW 5*30	5*30		
18		250900-01810	1	HOLDER, C. TANK (BS)			
19		900502-00005	4	NUT 5 (3N)	3N5		
22		363023-01110	2	CLIP			

## 13. Lower Tank

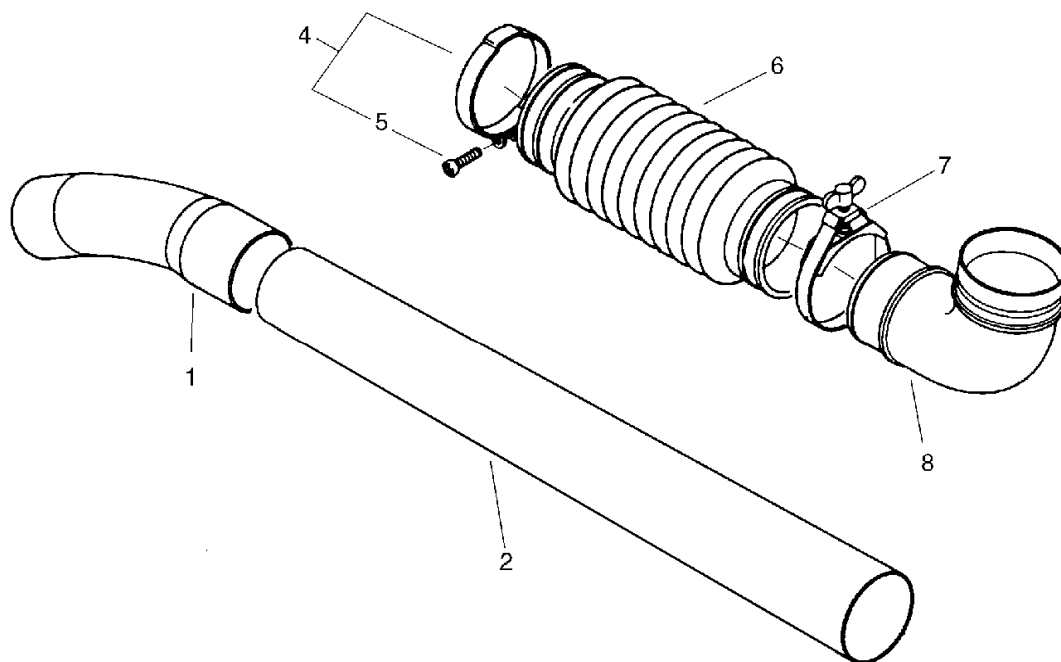
No.13



KEY	LV	PART NUMBER	Q'TY	DESCRIPTION	REMARKS	NOTE1	NOTE2
1		270119-01110	1	GASKET, SHUTTER			
2		270101-01111	1	SHUTTER ASSY			
3		270216-01110	2	JOINT			
5		900509-00004	2	NUT 4 SUS	4 SUS		
6		900600-00006	5	WASHER 6	6		
7		900500-00006	1	NUT 6	6		
8		270200-01110	1	ARM, SHUTTER			
9		270205-01610	1	SHAFT, SHUTTER			
10		270217-01110	2	O-RING			
13		270000-02111	1	TANK, LOWER (LG)			
14		370301-01110	1	PIPE, DUST OUTLET			
16		900146-06020	4	BOLT 6*20 (W/W)	6*20 Wタ <sup>1</sup> イッキ		
18		270026-02111	1	TANK, LOWER			
19		900242-05030	2	SCREW 5*30	5*30		

## 14. Pipe

No.14

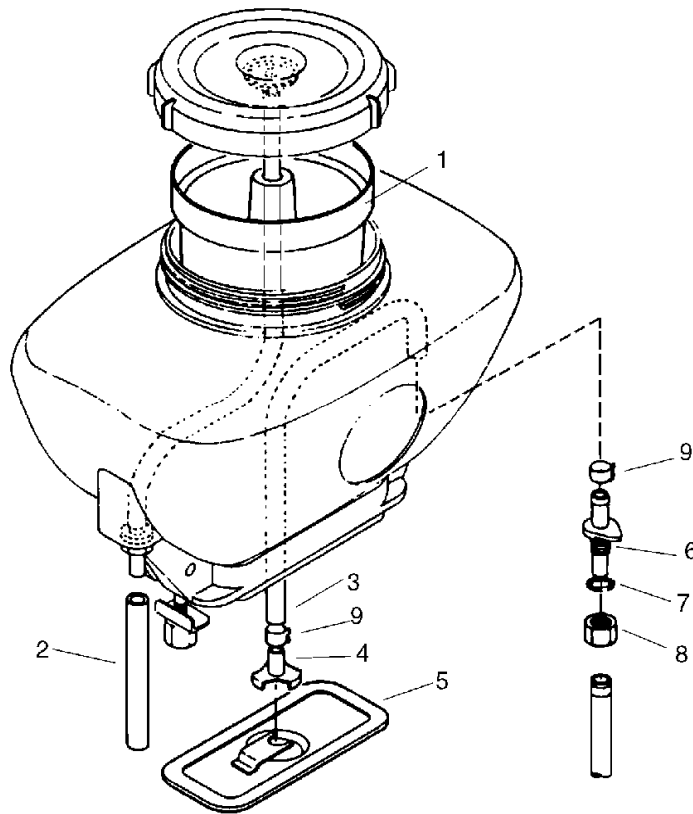


KEY	LV	PART NUMBER	Q'TY	DESCRIPTION	REMARKS	NOTE1	NOTE2
1		210023-00210	1	PIPE, CURVED (GY)			
2		210014-00310	1	PIPE, STRAIGHT (GY)			
4		210400-01110	1	CLAMP W/SCREW			
5	+	900242-05025	1	SCREW 5*25	5*25		
6		210012-01112	1	PIPE, FLEXIBLE			
7		210407-01110	1	CLAMP, FLEXIBLE PIPE			
8		210011-01110	1	ELBOW, BLOWING (GY)			



# 15. Mist Attachment Tool Set-1

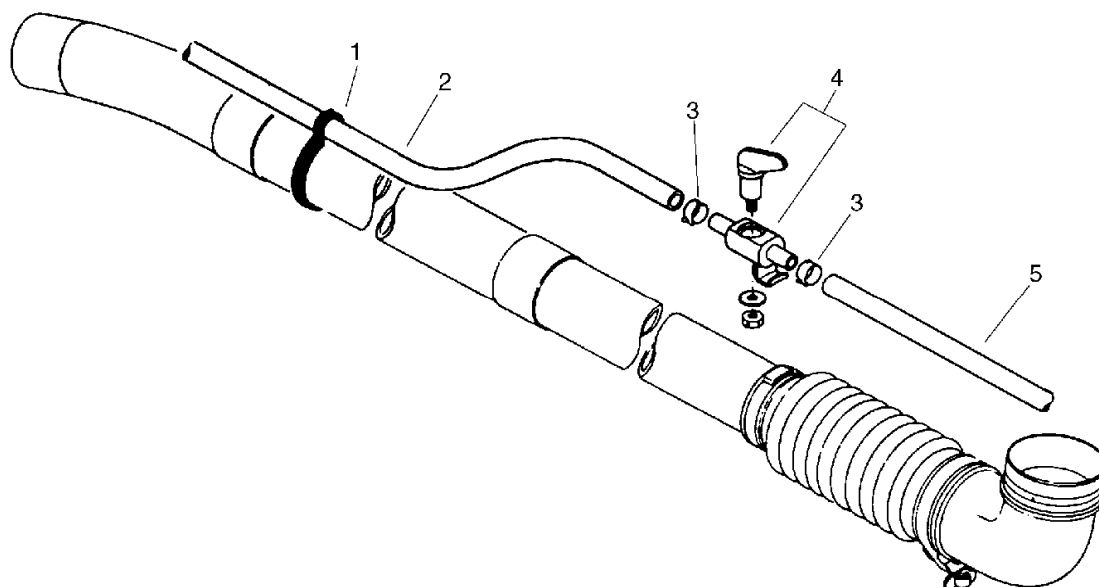
No.15



KEY	LV	PART NUMBER	Q'TY	DESCRIPTION	REMARKS	NOTE1	NOTE2
1		254210-10510	1	FILTER, CHMCL, TANK			
2		363024-01110	1	PIPE L-165	7*11*165BL	Sus. by 363024-02410	
2		363024-02410	1	PIPE 7*11*165	7*11*165 BL		
3		355011-01110	1	PIPE	13*9*350L	Sus. by 382011-01110	
3		382011-01110	1	PIPE (9*13)	9*13*350		
4		355012-00910	1	PIECE, SUCTION			
5		253010-01111	1	PLATE, BASE			
6		357010-01110	1	NIPPLE, OUTLET			
7		357014-01110	1	O-RING	3*13		
8		357015-01110	1	NUT, HOLLOW			
9		357023-01110	2	CLIP 13		Sus. by V495-000310	
9		V495-000310	2	BAND			

# 16. Mist Attachment Tool Set-2

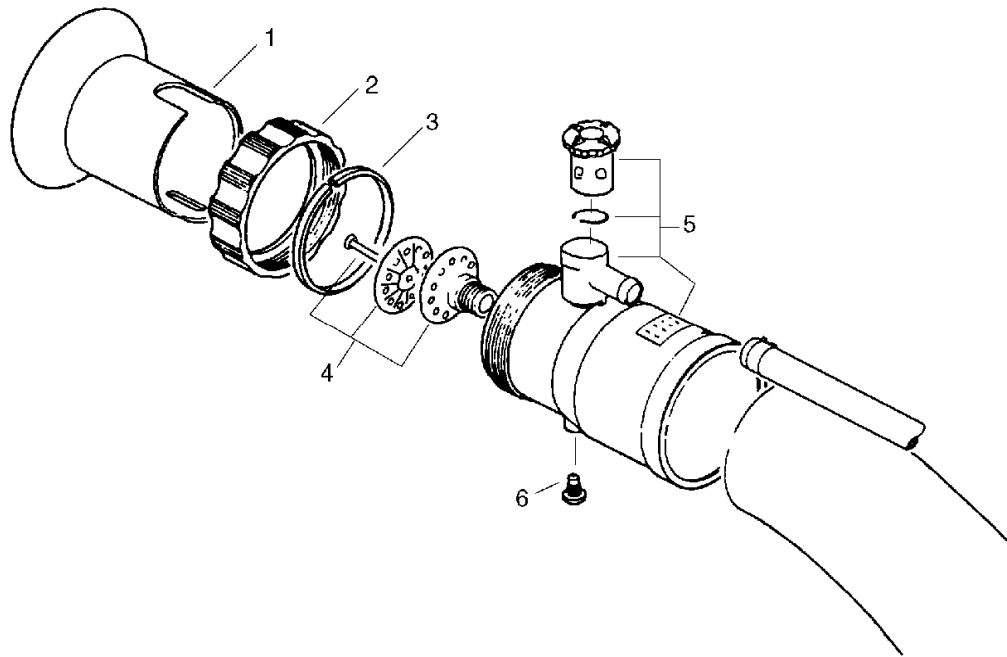
No.16



KEY	LV	PART NUMBER	Q'TY	DESCRIPTION	REMARKS	NOTE1	NOTE2
1		357911-00110	1	CLIP, PIPE			
2		357032-01110	1	PIPE (L-720)	9*13*720		
3		357023-01110	2	CLIP 13		Sus. by V495-000310	
3		V495-000310	2	BAND			
4		358100-01110	1	VALVE ASS'Y, PIPE			
5		357012-01110	1	PIPE (L-1050)	9*13*1050		

**17. Mist Attachment Tool Set-3**

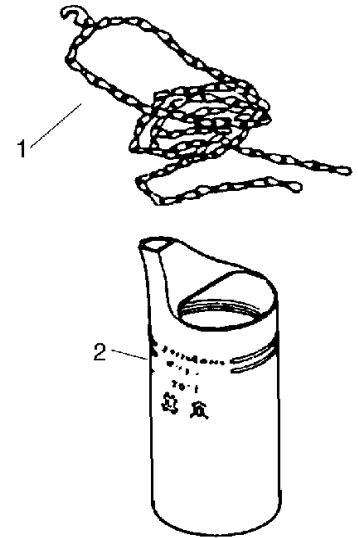
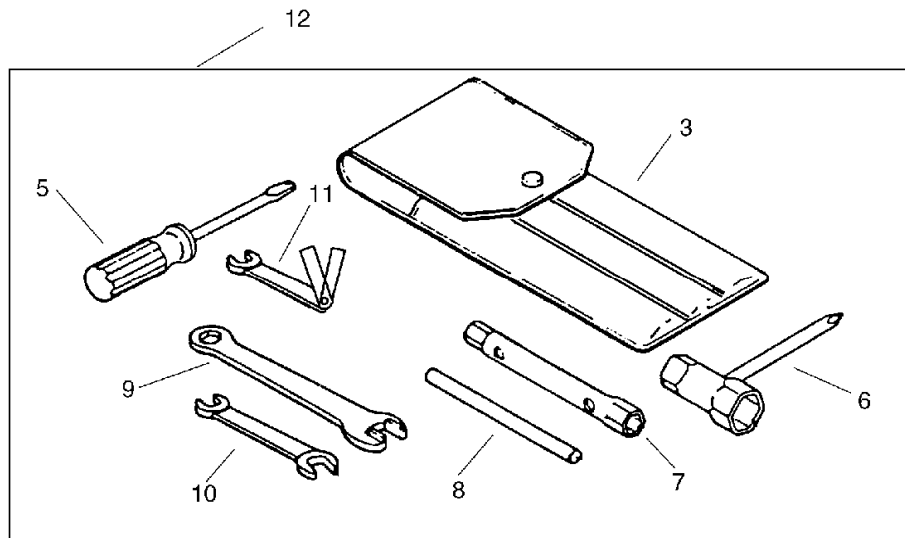
No.17



KEY	LV	PART NUMBER	Q'TY	DESCRIPTION	REMARKS	NOTE1	NOTE2
		212500-01111	1	NOZZLE ASS'Y, MISTBL			
1	+	212515-01110	1	COLLAR, NOZZLE			
2	+	212514-01110	1	NUT, MISTING NOZZLE			
3	+	212513-01110	1	RING, MISTING NOZZLE			
4	+	222000-01110	1	NOZZLE			
5	+	212501-01111	1	HEAD, NOZZLE	BL	BL	
6	++	900246-05012	1	SCREW 5*12		5*12	

## 18. Tools

No.18



KEY	LV	PART NUMBER	Q'TY	DESCRIPTION	REMARKS	NOTE1	NOTE2
1		898505-01110	1	CHAIN, GROUND			
2		898520-17130	1	MIXER, FUEL			
12		896000-01111	1	TOOL SET			
3	+	898510-39130	1	BAG, TOOL			
5	+	895810-00230	1	DRIVER, SCREW 75			
6	+	895420-01610	1	WRENCH, BOX 14*19			
7	+	895413-00630	1	WRENCH, BOX 8*10			
8	+	895412-00230	1	ROD, HANDLE			
9	+	895120-01110	1	SPANNER 10*21			
10	+	895112-00330	1	SPANNER 8*10			
11	+	895115-00330	1	SPANNER, MAGNETO			

**Index**

<b>Patrs Number</b>	<b>Key No.</b>	<b>Patrs Number</b>	<b>Key No.</b>	<b>Patrs Number</b>	<b>Key No.</b>
100000-02411	1 - 2	120133-01110	8 - 22	175015-00120	1 - 12
100000-02412	1 - 2	120136-00120	8 - 25	177200-02110	6 - 15
100011-01110	1 - 1	130016-01110	5 - 12	177202-02110	6 - 5
100012-12330	1 - 4	130017-01110	5 - 11	177210-02110	6 - 7
100012-12331	1 - 4	130310-00410	5 - 4	177214-41030	6 - 17
100013-00410	1 - 5	130311-01110	5 - 3	177215-43130	6 - 18
100014-02260	1 - 15	130313-01110	5 - 1	177218-40630	6 - 9
100014-17330	1 - 15	130314-01110	5 - 9	177220-40630	6 - 22
100015-00120	1 - 3	130316-00410	5 - 2	177226-01110	6 - 19
100100-01111	1 - 11	130319-01110	5 - 5	177227-42030	6 - 20
100133-01110	1 - 7	130420-00110	5 - 8	177228-11120	6 - 21
100134-01110	1 - 6	131003-05330	4 - 2	177234-40630	6 - 8
100136-01110	1 - 8	131004-03910	4 - 14	177236-40630	6 - 16
100142-00310	1 - 14	131010-01112	4 - 3	178005-01610	11 - 5
100200-01110	2 - 9	131016-21230	4 - 12	178011-01110	11 - 13
100213-00310	1 - 9	131017-05330	4 - 1	178021-01110	11 - 11
100215-02830	2 - 8	131310-00230	2 - 6	178023-01110	11 - 1
100242-01110	2 - 10	131604-07132	4 - 14	178114-01110	11 - 7
100244-01111	2 - 1	131910-01111	4 - 5	200010-01110	9 - 22
100254-00130	2 - 12	131918-01110	4 - 9	200110-01811	9 - 4
100510-00310	2 - 7	132010-01110	4 - 8	200111-01810	9 - 11
101000-00762	3 - 2	132013-14010	12 - 1	200124-01111	9 - 14
101010-01111	3 - 16	132013-14010	4 - 7	200910-01110	9 - 3
101013-01110	3 - 15	132200-00512	4 - 6	200916-01110	9 - 18
101014-00760	3 - 25	145510-01111	3 - 3	210011-01110	14 - 8
101514-01110	3 - 1	145510-01111	3 - 3	210012-01112	14 - 6
120000-01112	8 -	145610-01110	3 - 4	210014-00310	14 - 2
120100-01110	8 - 10	145621-01110	3 - 7	210023-00210	14 - 1
120101-01110	8 - 29	145642-00762	3 - 27	210400-01110	14 - 4
120102-01110	8 - 12	145803-01112	3 -	210407-01110	14 - 7
120103-01111	8 - 8	145806-01110	3 - 26	210416-01110	9 - 13
120110-00220	8 - 1	145862-01110	3 - 30	212500-01111	17 -
120111-00120	8 - 2	145863-01111	3 - 31	212501-01111	17 - 5
120112-00120	8 - 3	145871-01110	3 - 29	212513-01110	17 - 3
120113-01110	8 - 4	150101-00910	7 - 6	212514-01110	17 - 2
120114-00220	8 - 5	150111-01110	7 - 7	212515-01110	17 - 1
120115-01110	8 - 6	150112-00310	7 - 9	222000-01110	17 - 4
120118-01111	8 - 9	150114-00310	7 - 8	250000-01111	12 - 11
120121-01110	8 - 13	150126-01110	7 - 10	250000-01611	12 - 11
120122-01111	8 - 14	150127-00910	7 - 4	250001-01110	12 - 7
120123-01110	8 - 15	150200-01110	7 - 11	250003-01111	12 - 11
120124-01111	8 - 16	159010-00330	7 - 3	250011-01110	12 - 8
120125-01110	8 - 27	159010-10130	7 - 22	250013-00310	12 - 9
120126-01110	8 - 28	159011-00510	7 - 2	250016-01110	12 - 12
120128-01110	8 - 19	159012-01620	7 - 1	250900-01810	12 - 18
120129-01110	8 - 17	159012-10230	7 - 20	250914-03210	12 - 13
120130-00120	8 - 11	159016-05330	7 - 21	250915-01110	12 - 14
120131-00120	8 - 20	159110-01110	3 - 11	250916-01110	12 - 16
120132-00120	8 - 21	159112-01110	7 - 5	250918-01110	12 - 15

**Index**

<b>Patrs Number</b>	<b>Key No.</b>	<b>Patrs Number</b>	<b>Key No.</b>	<b>Patrs Number</b>	<b>Key No.</b>
253010-01111	15 - 5	701112-01810	11 - 16	900502-00005	12 - 19
254210-10510	15 - 1	890112-17830	6 - 24	900504-00008	12 - 16A
270000-02111	13 - 13	890154-12730	4 - 13	900509-00004	13 - 5
270026-02111	13 - 18	895112-00330	18 - 10	900515-00006	9 - 29
270101-01111	13 - 2	895115-00330	18 - 11	900530-00005	9 - 12
270119-01110	13 - 1	895120-01110	18 - 9	900560-00005	10 - 15
270200-01110	13 - 8	895412-00230	18 - 8	900560-00006	3 - 28
270205-01610	13 - 9	895413-00630	18 - 7	900600-00004	11 - 14
270216-01110	13 - 3	895420-01610	18 - 6	900600-00005	9 - 9
270217-01110	13 - 10	895810-00230	18 - 5	900600-00006	13 - 6
300005-01610	10 - 5	896000-01111	18 - 12	900600-00006	2 - 3
300105-01110	10 - 4	898505-01110	18 - 1	900600-00006	3 - 5
300217-00610	10 - 7	898510-39130	18 - 3	900605-00006	2 - 2
300218-01110	10 - 6	898520-17130	18 - 2	900605-00006	3 - 13
300219-01110	10 - 8	900140-06010	3 - 12	900617-00010	1 - 12
300220-01110	10 - 9	900142-05016	9 - 20	900700-00004	6 - 6
300302-02110	10 - 2	900142-06020	3 - 6	900810-36202	1 - 10
300322-03210	10 - 1	900142-06020	9 - 1	V495-000310	15 - 9
300322-13210	10 - 1	900142-06025	2 - 5	V495-000310	16 - 3
300328-03210	10 - 3	900146-06012	4 - 11		
355011-01110	15 - 3	900146-06014	9 - 15		
355012-00910	15 - 4	900146-06020	13 - 16		
357010-01110	15 - 6	900216-05014	10 - 16		
357012-01110	16 - 5	900220-04006	8 - 26		
357013-00210	12 - 1	900220-04008	9 - 8		
357013-00210	4 - 7	900241-04014	8 - 24		
357014-01110	15 - 7	900242-04010	7 - 14		
357015-01110	15 - 8	900242-04014	5 - 6		
357023-01110	15 - 9	900242-05010	10 - 12		
357023-01110	16 - 3	900242-05010	11 - 2		
357032-01110	16 - 2	900242-05010	3 - 32		
357911-00110	16 - 1	900242-05010	9 - 6		
358100-01110	16 - 4	900242-05014	3 - 8		
363014-00310	12 - 10	900242-05014	4 - 4		
363015-01110	9 - 7	900242-05016	2 - 16		
363017-00310	12 - 6	900242-05020	11 - 6		
363018-00310	12 - 3	900242-05020	9 - 10		
363019-00310	12 - 2	900242-05025	14 - 5		
363021-01110	9 - 5	900242-05025	7 - 17		
363022-00510	12 - 5	900242-05025	9 - 23		
363023-01110	12 - 22	900242-05030	12 - 17		
363024-01110	15 - 2	900242-05030	13 - 19		
363024-02410	15 - 2	900246-05012	17 - 6		
370301-01110	13 - 14	900300-16010	11 - 15		
382011-01110	15 - 3	900500-00004	11 - 12		
701005-01110	11 - 4	900500-00005	11 - 9		
701014-01110	11 - 8	900500-00006	13 - 7		
701020-01110	11 - 10	900500-00006	2 - 11		
701111-01110	11 - 3	900500-00006	3 - 14		

# YAMABIKO CORPORATION

7-2 SUEHIROCHO 1-CHOME, OHME, TOKYO 198-8760, JAPAN  
PHONE: 81-428-32-6118. FAX: 81-428-32-6145.

**ECHO**<sup>®</sup>



DM-9  
No.