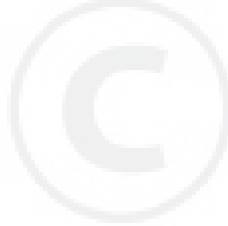


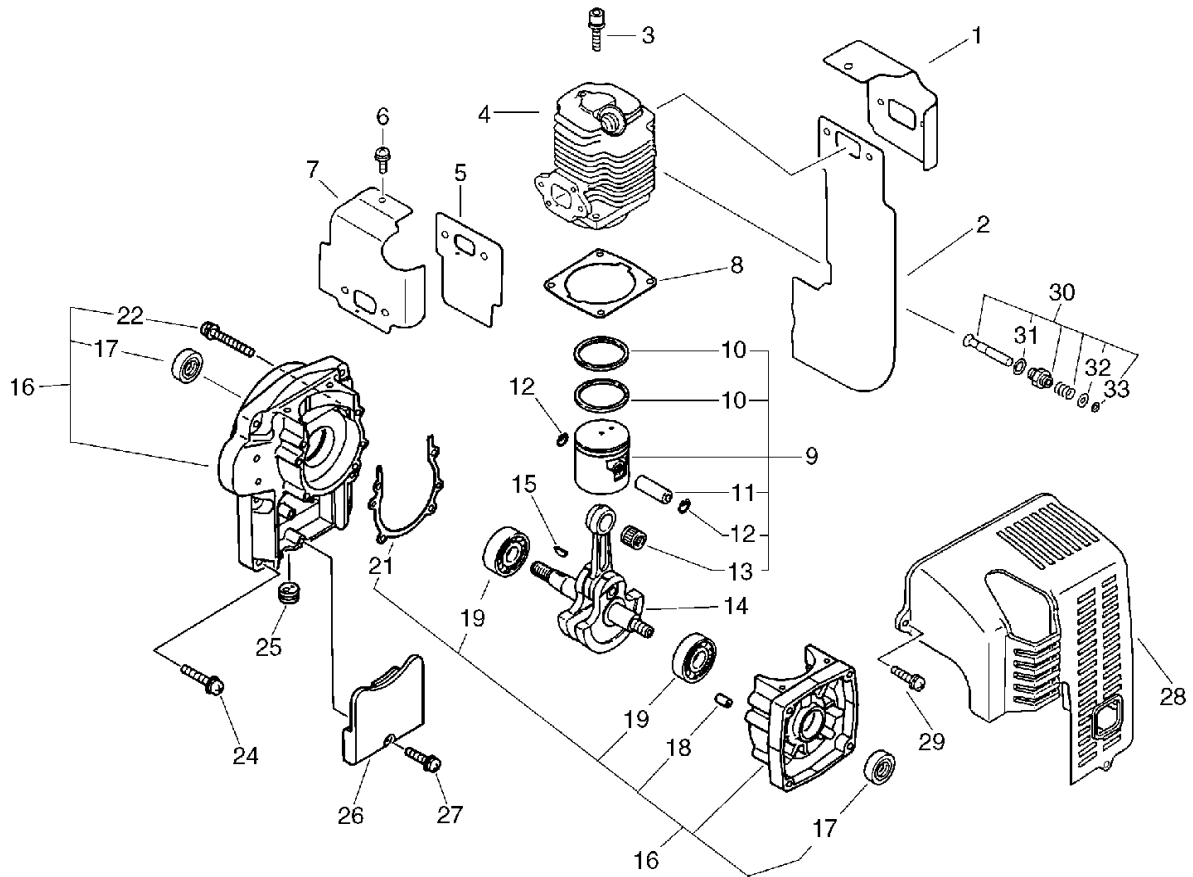


PARTS CATALOG
DUSTER / MIST BLOWER
DMC721F-30



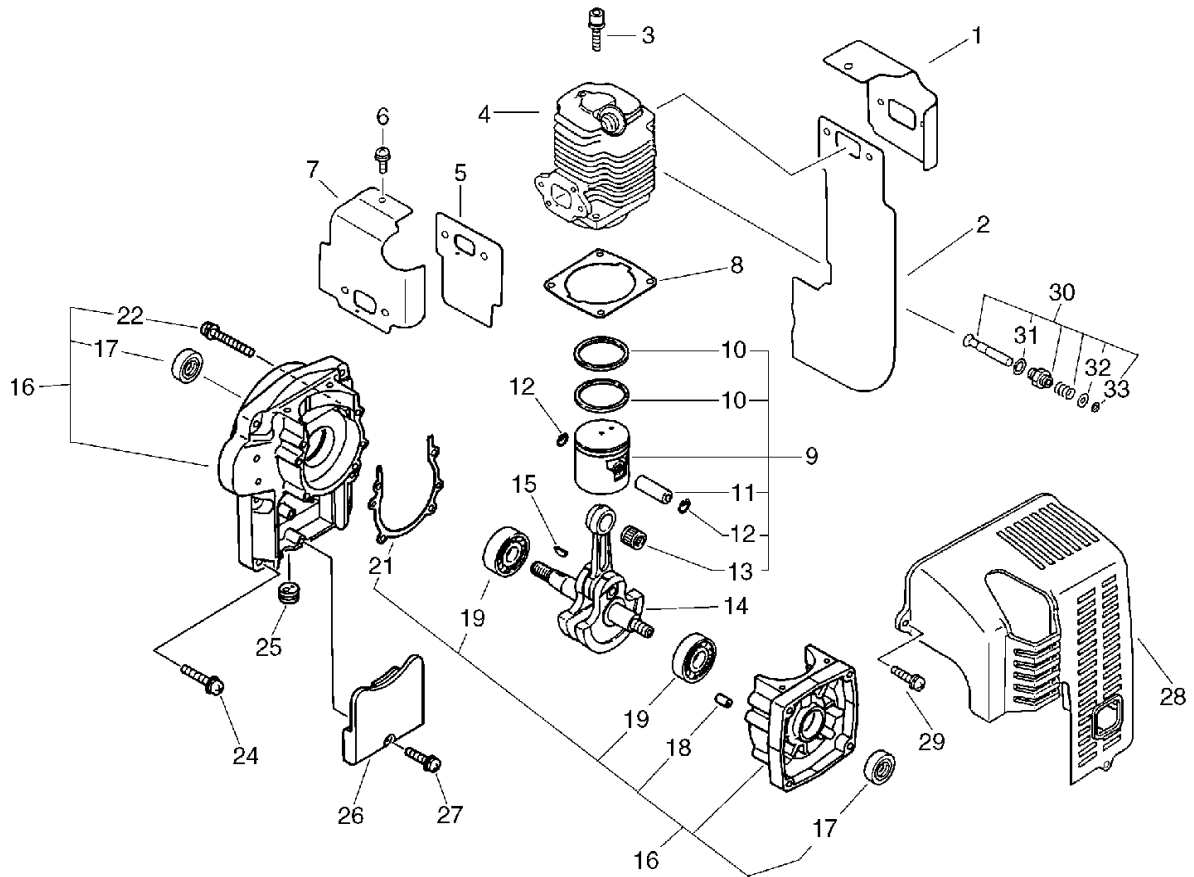
DMC721F-30

1. Cylinder, Crankcase, Piston



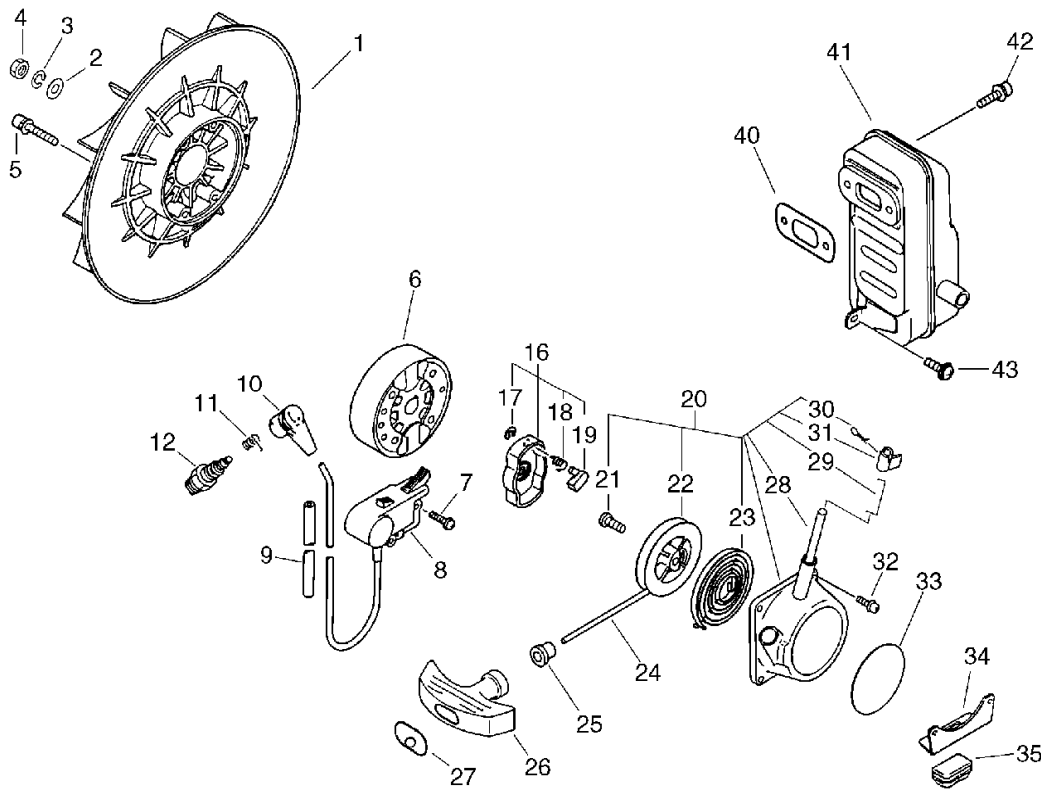
KEY	LV	PART NUMBER	Q'TY	DESCRIPTION	REMARKS	NOTE1	NOTE2
1		101514-06210	1	COVER, CYLINDER			
2		145512-06210	1	GASKET, MUFFLER		Sus. by 145512-06211	
2		145512-06211	1	GASKET, MUFFLER			
3		900162-05020	4	BOLT, H.S. 5*20	5*20 W,SW		
4		101011-06910	1	CYLINDER			
5		130016-06211	1	GASKET, INTAKE			
6		900242-05010	1	SCREW 5*10	5*10		
7		101576-06210	1	COVER, CYLINDER			
8		101010-06211	1	GASKET, CYL. BASE			
9		100000-06210	1	PISTON KIT			
10	+	100011-32330	2	RING, PISTON			
11	+	100013-06210	1	PIN, PISTON			
12	+	100015-00120	2	CIRCLIP, PISTON PIN			
13	+	100012-12331	1	BEARING, NEEDLE			
14		100100-06210	1	CRANKSHAFT ASSY			
15		900323-03014	1	KEY WOODRUFF	3*14		
16		100204-08261	1	CRANKCASE KIT			
17	+	100213-00310	2	OILSEAL	ISCD 15 25 7		
18	+	100215-03930	2	PIN, DOWEL			
19	+	900810-36202	2	BEARING, BALL 6202	6202/C3		
21	+	100242-10721	1	GASKET, CRANKCASE			
22	+	900242-05040	4	SCREW 5*40	5*40		
24		900292-05025	6	SCREW 5*25	5*25 SUS		
25		150112-00310	1	BUSHING			
26		159129-08260	1	COVER, DUST			

1. Cylinder, Crankcase, Piston



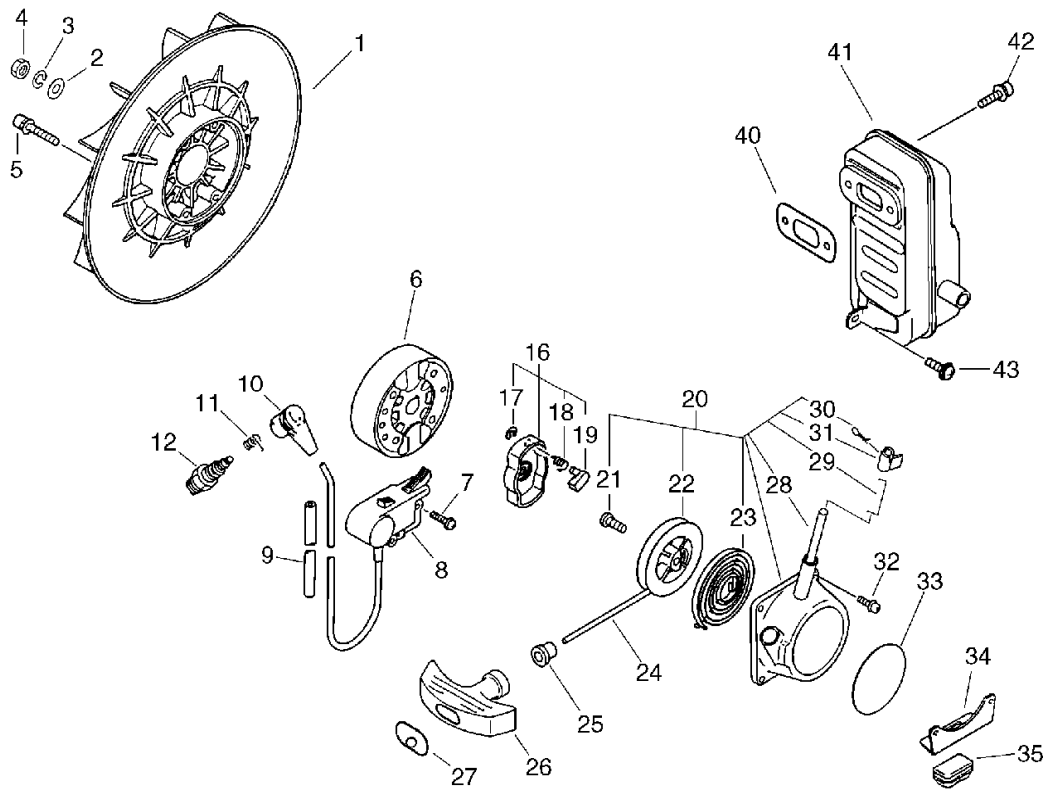
KEY	LV	PART NUMBER	Q'TY	DESCRIPTION	REMARKS	NOTE1	NOTE2
27		900242-05018	1	SCREW 5*18	5*18		
28		104016-06410	1	COVER, ENGINE			
29		900292-05020	3	SCREW 5*20	5*20 SUS		
30		101100-06810	1	RELEASE ASSY, COMP.			
31	+	101112-52030	1	GASKET, V.SEAT			
32	+	900620-00004	1	WASHER 4	4 SUS		
33	+	900703-00003	1	E-RING 3	CE-3 SUS		

2. Starter, Magneto, Muffler



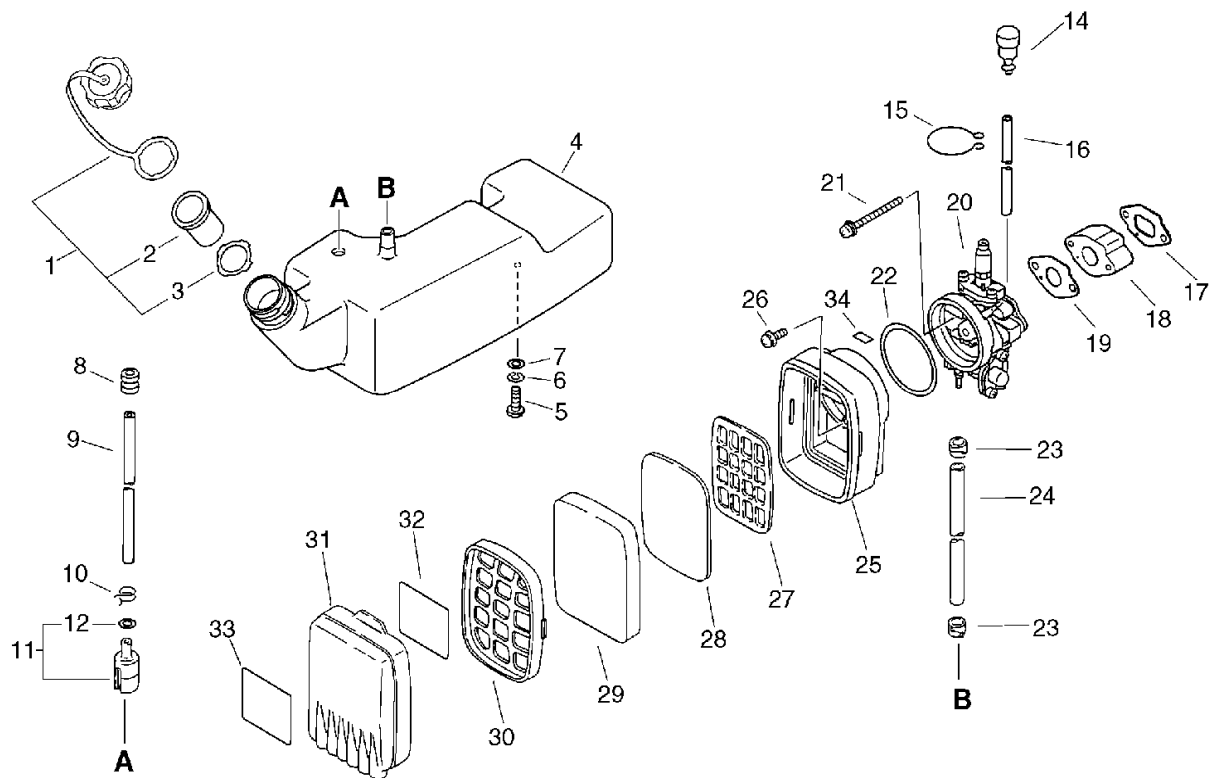
KEY	LV	PART NUMBER	Q'TY	DESCRIPTION	REMARKS	NOTE1	NOTE2
1		200005-06210	1	FAN			
2		900602-00010	1	WASHER 10(10.5*21*2)	10.5*21*2		
3		900605-00010	1	WASHER, SPRING 10	10		
4		900501-00010	1	NUT 10*1.25	10*P1.25		
5		900148-05035	4	BOLT 5*35	5*35		
6		156800-06161	1	ROTOR, MAGNETO			
7		900242-05018	2	SCREW 5*18	5*18		
8		156601-06211	1	C.D. IGNITION MODULE			
9		156611-04260	1	TUBE	6*8*340		
10		159012-03433	1	CAP, SPARK PLUG			
11		159011-03432	1	COIL, SPARK PLUG			
12		159010-19630	1	PLUG, SPARK (BPM-7Y)	BPM-7Y		
16		177202-06210	1	PAWL ASSY, STARTER			
17	+	900700-00004	1	E-RING 4	CE-4		
18	+	177234-40630	1	SPRING, RETURN			
19	+	177218-40630	1	PAWL, STARTER	WHITE		
20		177200-06910	1	STARTER ASSY			
21	+	177236-06910	1	SCREW			
22	+	177215-06910	1	DRUM, STARTER			
23	+	177220-11120	1	REWIND SPRING			
24	+	177226-11120	1	ROPE, STARTER	3.8*1400		
25	+	177227-42030	1	GUIDE, ROPE			
26	+	177228-11120	1	GRIP, STARTER			
27	+	177246-11120	1	CLIP, STARTER ROPE			
28	+	177279-06910	1	SHAFT, STARTER			
29	+	177234-06910	1	SPRING, RETURN			

2. Starter, Magneto, Muffler



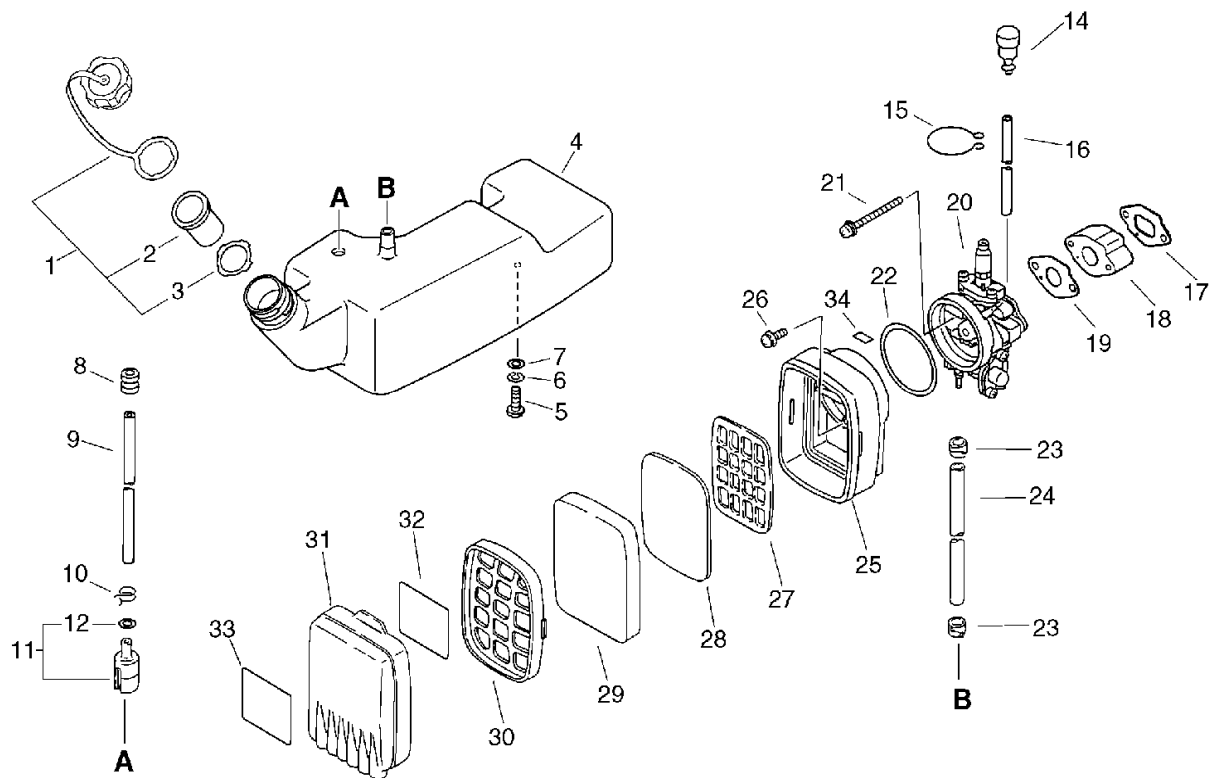
KEY	LV	PART NUMBER	Q'TY	DESCRIPTION	REMARKS	NOTE1	NOTE2
30	+	900300-12015	1	PIN, SPLIT 1.2*15	1.2*15	Sus. by P022-005100	
30	+	P022-005100	1	PIN, SPLIT			
31	+	177280-06910	1	PLATE, CAM			
32		900292-04018	4	SCREW 4*18	4*18 SUS		
33		890053-56330	1	LABEL, KIORITZ 56.5MM	56.5		
34		300029-06210	1	PLATE, ANGLE			
35		305117-03360	1	CUSHION			
40		145510-06210	1	GASKET, MUFFLER			
41		145610-06210	1	MUFFLER		Sus. by 145610-06211	
41		145610-06211	1	MUFFLER			
42		900105-06020	2	BOLT, H.S. 6*20	6*20		
43		900242-05014	1	SCREW 5*14	5*14		

3. Air Cleaner, Fuel Tank



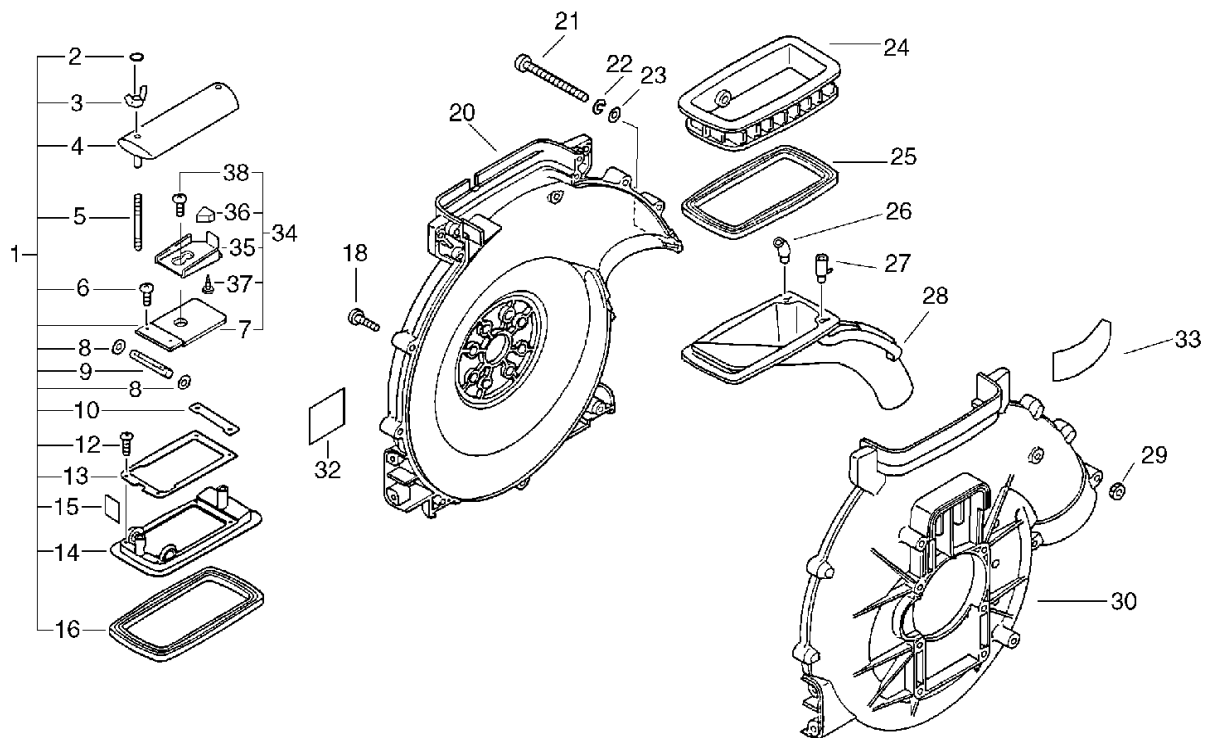
KEY	LV	PART NUMBER	Q'TY	DESCRIPTION	REMARKS	NOTE1	NOTE2
1		131004-06210	1	CAP ASSY, FUEL			
2	+	131003-05330	1	CUP SET, VENT			
3	+	131016-21060	1	GASKET, FUEL CAP			
4		131005-06211	1	TANK, FUEL		Sus. by 131005-06213	
4		131005-06212	1	TANK, FUEL		Sus. by 131005-06213	
4		131005-06213	1	TANK, FUEL			
5		900220-06014	2	SCREW +-SR 6*14	6*14		
6		900605-00006	2	WASHER, SPRING 6	6		
7		145642-00760	2	WASHER 6.5*18*1.6	6.5*18*1.6		
8		132115-12330	1	GROMMET			
9		132010-35430	1	PIPE 3*6*230	3*6*230		
10		132013-26630	1	CLIP	6.5MM		
11		131205-05630	1	STRAINER, FUEL			
12	+	900603-00005	1	WASHER 5	5.5*12*0.8		
14		132001-05510	1	VALVE, CHECK			
15		132013-05060	1	CLIP, PIPE			
16		132010-06530	1	PIPE 3*6* 85	3*6* 85		
17		130010-06210	1	GASKET, INTAKE			
18		130017-06210	1	INSULATOR			
19		130016-05510	1	GASKET, CARBURETOR			
20		124200-06210	1	CARBURETOR ASSY	K15PR-5C		
21		900242-06065	2	SCREW 6*65	6*65		
22		130320-05510	1	GASKET, INTAKE			

3. Air Cleaner, Fuel Tank



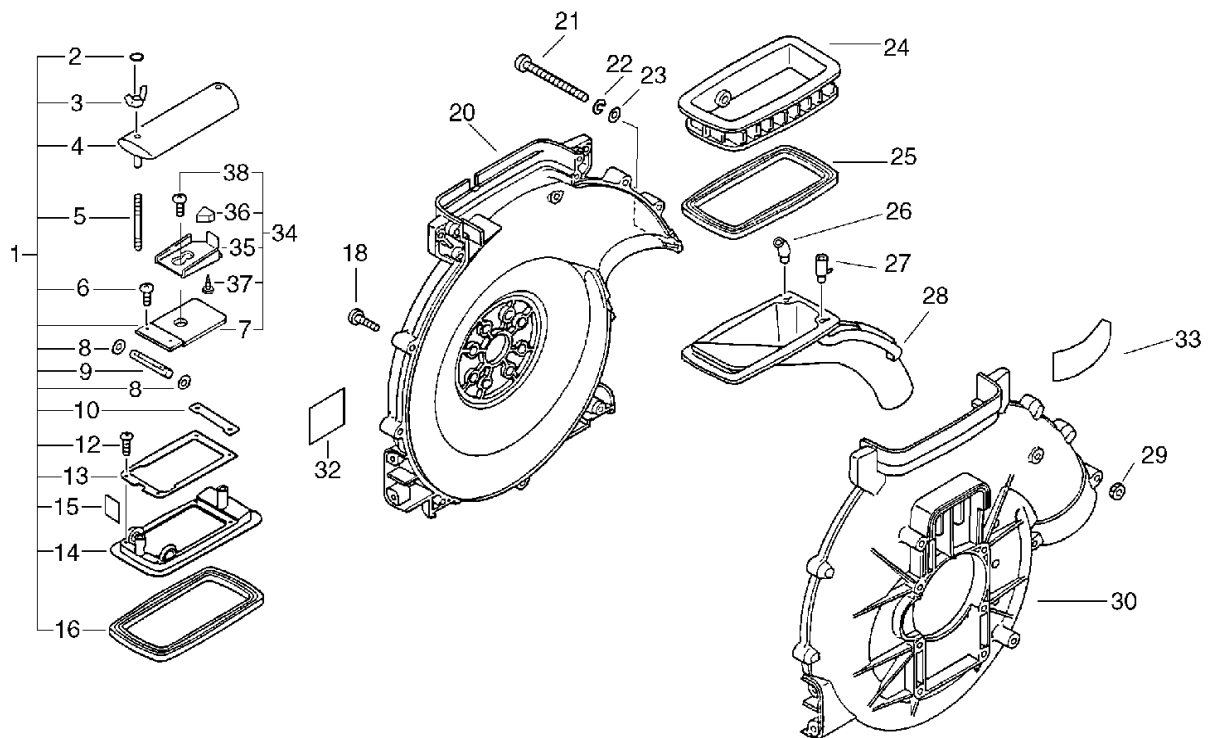
KEY	LV	PART NUMBER	Q'TY	DESCRIPTION	REMARKS	NOTE1	NOTE2
23		357013-00210	2	CLIP 11	11ミリ	Sus. by 132013-14010	
23		132013-14010	2	BAND	10.5MM		
24		132010-06410	1	PIPE	5/16*7/16*75YL		
25		130314-05510	1	CASE, AIR CLEANER			
26		900242-04014	3	SCREW 4*14	4*14		
27		130319-03710	1	GRID, AIR CLEANER			
28		130317-03710	1	FILTER, AIR			
29		130310-02910	1	FILTER, AIR			
30		130311-03710	1	GRID, AIR CLEANER			
31		130313-03710	1	COVER, AIR CLEANER			
32		890187-03710	1	LABEL, CLEANER			
33		890016-07310	1	LABEL, CAUTION		Sus. by X505-000860	
33		X505-000860	1	LABEL, CAUTION			
34		890026-00311	1	LABEL, CHOK			

4. Fan Case, Lower Tank



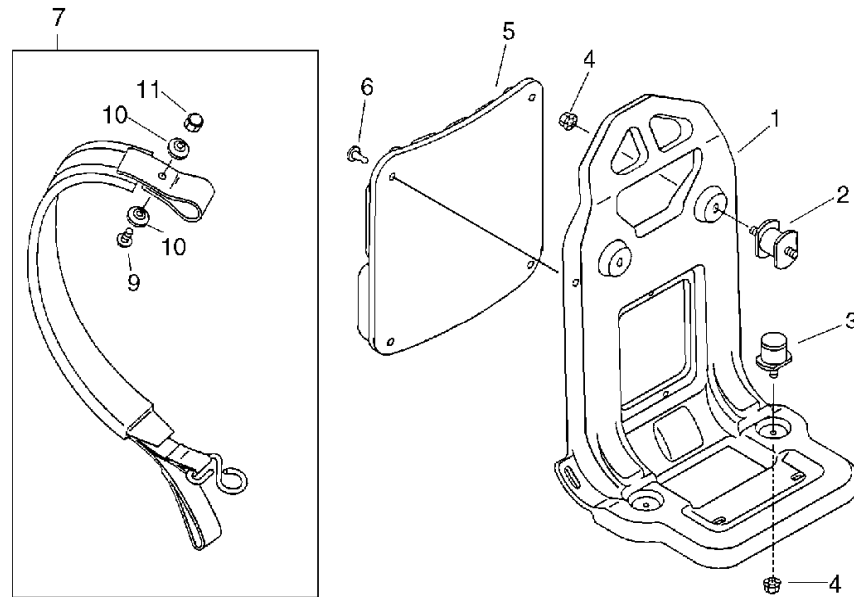
KEY	LV	PART NUMBER	Q'TY	DESCRIPTION	REMARKS	NOTE1	NOTE2
1		275100-06314	1	SHUTTER ASY			
2	+	900720-00004	1	O-RING (P-4)	P-4		
3	+	900539-00005	1	NUT, WING 5	5		
4	+	250110-06212	1	STABILIZER			
5	+	270015-06211	1	BOLT, STUD	5*50		
6	+	900226-04010	2	SCREW, 4*10	4*10 SUS		
8	+	275123-05510	2	SPACER 10*19.5*0.3	10*19.5*0.3		
9	+	270153-06210	1	SHAFT, SHUTTER			
10	+	270122-06211	1	PLATE, EYE			
12	+	900295-04014	4	SCREW 4*14	4*14 SUS		
13	+	270110-06210	1	SHUTTER			
14	+	270112-06211	1	SHUTTER, METERING			
15	+	210035-06310	1	PACKING, DUST			
16	+	270119-06210	1	GASKET, SHUTTER			
34	+	275106-06410	1	SHUTTER ASY			
7	++	275106-07610	1	SHUTTER, METERING			
35	++	270114-07610	1	PIECE, SHUTTER			
36	++	270113-06310	1	PIECE, SHUTTER			
37	++	900266-04012	1	SCREW 5*14	4*12		
38	++	275115-07610	1	SCREW, 5			
18		900286-05025	11	SCREW 5*25 SUS	5*25 SUS		
20		200107-06310	1	CASE, FAN			
21		210425-04110	2	BOLT			
22		900609-00005	2	WASHER, SPRING 5 SUS	5 SUS		
23		900604-00005	2	WASHER 5 SUS	5 SUS		
24		270010-06211	1	TANK, LOWER			

4. Fan Case, Lower Tank



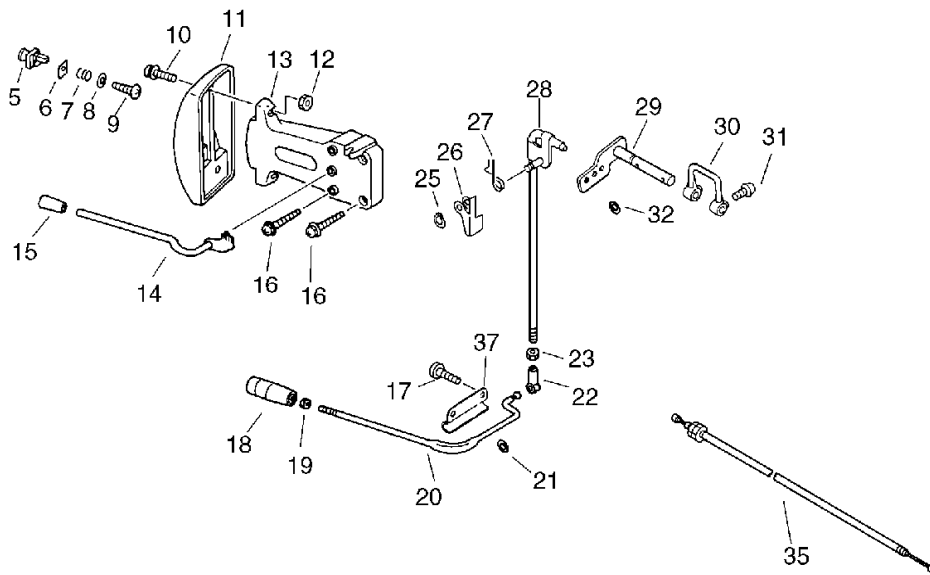
KEY	LV	PART NUMBER	Q'TY	DESCRIPTION	REMARKS	NOTE1	NOTE2
25		270018-06210	1	PACKING			
26		370321-06210	1	PLATE			
27		370316-06210	1	GUIDE, AIR			
28		370301-06211	1	PIPE, DUST OUTLET			
29		900504-00005	2	NUT 5B	5B		
30		200105-06310	1	CASE, FAN			
32		890035-48631	1	LABEL			
33		890098-06210	1	LABEL, CAUTION		Sus. by 890098-06211	
33		890098-06211	1	LABEL, CAUTION			

5. Harness



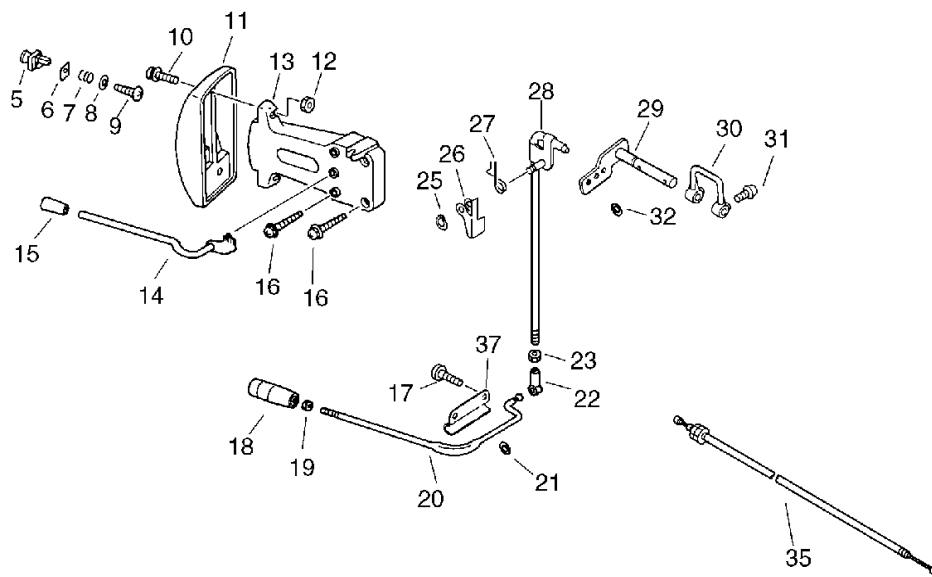
KEY	LV	PART NUMBER	Q'TY	DESCRIPTION	REMARKS	NOTE1	NOTE2
1		300010-07310	1	FRAME, BACKPACK		Sus. by 300010-07311	
1		300010-07311	1	FRAME, BACKPACK			
2		200910-06210	2	CUSHION			
3		200916-03210	2	CUSHION			
4		250916-06210	4	NUT			
5		300111-14010	1	CUSHION, KNAPSACK			
6		300333-06160	4	CLIP			
7		300302-07410	2	HARNESS, W/PAD			
9	+	900216-05016	2	SCREW, 5*16	5*16		
10	+	300328-03210	4	WASHER, HARNESS			
11	+	900560-00005	2	NUT, LOCK 5	5		

6. Control Lever



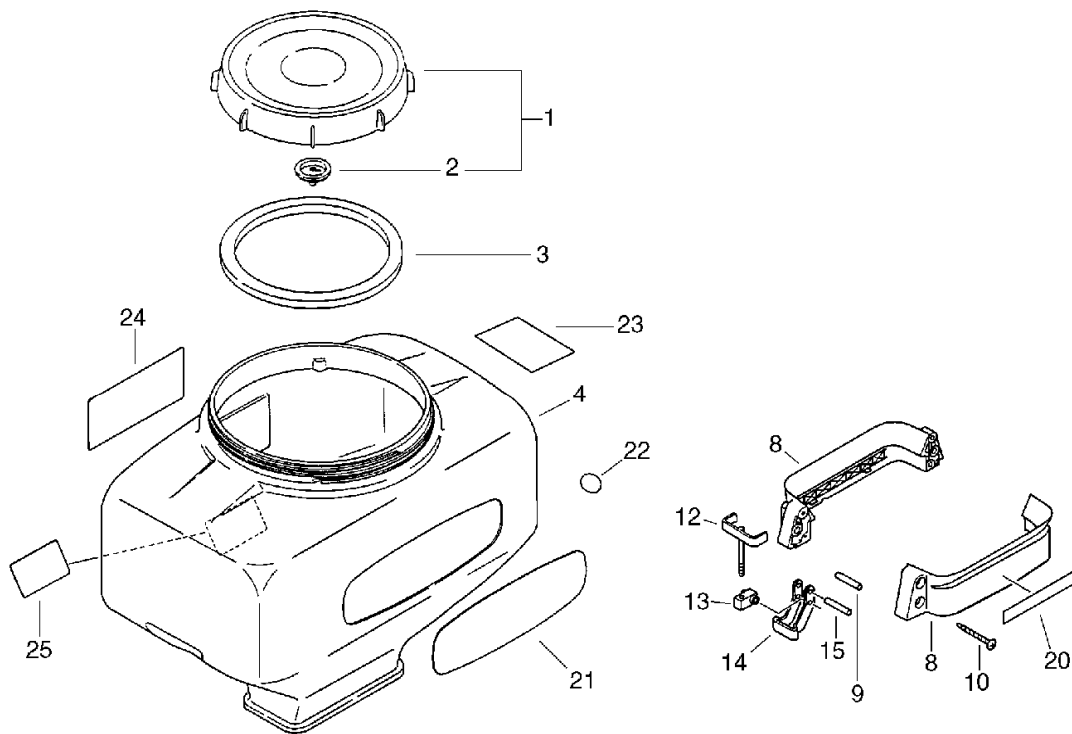
KEY	LV	PART NUMBER	Q'TY	DESCRIPTION	REMARKS	NOTE1	NOTE2
5		701027-06210	1	STOPPER, DIAL		Sus. by 701027-06212	
5		701027-06211	1	STOPPER, DIAL		Sus. by 701027-06212	
5		701027-06212	1	STOPPER, DIAL			
6		701114-06210	1	PLATE, EYE			
7		701016-06210	1	SPRING			
8		701017-06210	1	WASHER			
9		900296-04012	1	SCREW 4*12	4*12 SUS		
10		900292-05025	2	SCREW 5*25	5*25 SUS		
11		701111-06210	1	DIAL		Sus. by 701111-06211	
11		701111-06211	1	DIAL			
12		900504-00005	2	NUT 5B	5B		
13		701112-06210	1	BRACKET, DIAL			
14		178005-06410	1	LEVER, THROTTLE		Sus. by 178005-06411	
14		178005-06411	1	LEVER, THROTTLE			
15		701021-02910	1	KNOB, LEVER			
16		900286-05025	4	SCREW 5*25	SUS	5*25 SUS	
17		900286-05016	2	SCREW 5*16	SUS	5*16 SUS	
18		701007-06610	1	KNOB, LEVER			
19		900502-00006	1	NUT 6 (3N)	3N6		
20		701010-06610	1	LEVER, CONTROL			
21		900600-00008	1	WASHER 8	8		
22		701020-05510	1	CONNECTOR			

6. Control Lever



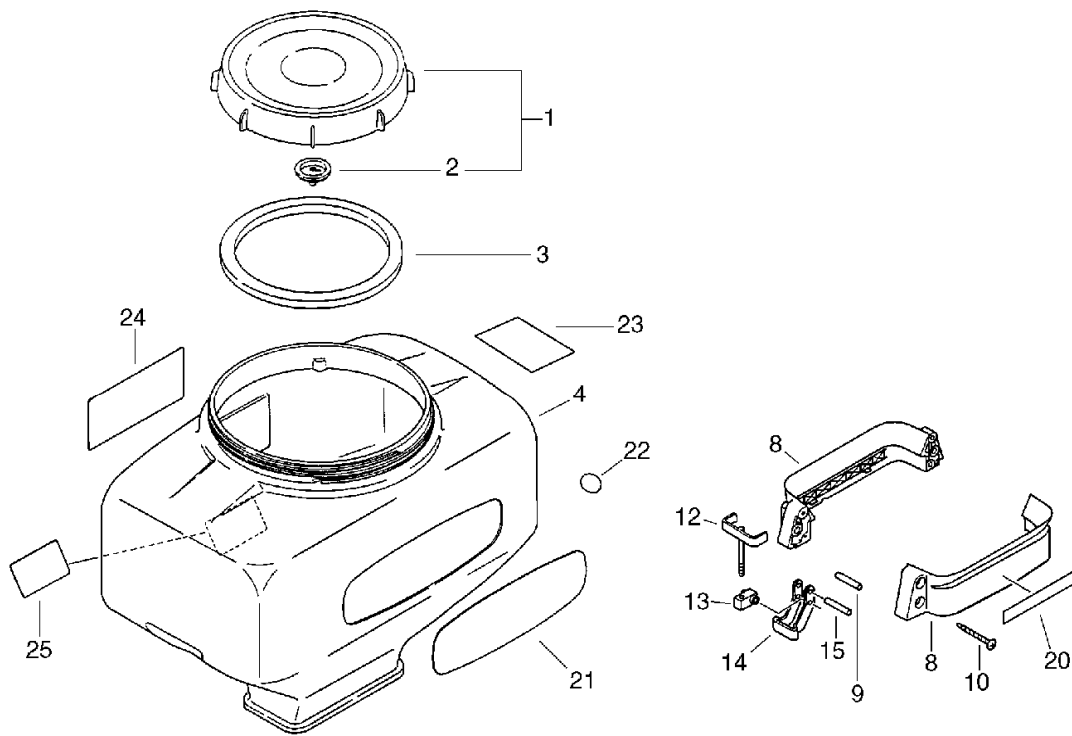
KEY	LV	PART NUMBER	Q'TY	DESCRIPTION	REMARKS	NOTE1	NOTE2
23		900500-00005	1	NUT 5	5		
25		900703-00003	1	E-RING 3	CE-3 SUS		
26		701038-07210	1	PLATE, ANGLE			
27		701039-07210	1	SPRING			
28		701014-07310	1	ROD, CONTROL LEVER	279L		
29		270205-07311	1	SHAFT, SHUTTER			
30		270216-06210	1	ARM			
31		900292-04014	2	SCREW 4*14	4*14 SUS		
32		900720-00007	1	O-RING 7	P-7		
35		178001-05510	1	WIRE, THROTTLE			
37		701028-06210	1	HOLDER, STOPPER			

7. Chemical Tank



KEY	LV	PART NUMBER	Q'TY	DESCRIPTION	REMARKS	NOTE1	NOTE2
1		250001-05510	1	CAP, CHEMICAL TANK			
2	+	250013-00310	1	CAP, INSIDE			
3		250011-02011	1	PACKING			
4		250010-07810	1	TANK, CHEMICAL		Sus. by 250010-07812	
4		250010-07811	1	TANK, CHEMICAL		Sus. by 250010-07812	
4		250010-07812	1	TANK, CHEMICAL	30L		
8		250910-06310	2	HOLDER, C. TANK			
9		250914-06210	2	PIN, TANK HOLDER			
10		900286-05035	4	SCREW 5*35	5*35 SUS		
12		250915-06310	2	BOLT, TANK HOLDER			
13		250930-07510	2	CONNECTOR, BRACKET			
14		250932-06210	2	BRACKET, TANK			
15		900333-70380	2	PIN, STRAIGHT			
20		890034-07810	1	LABEL, MODEL			
21		890012-07510	1	LABEL, KIORITZ			
22		890035-06210	1	LABEL, EYE CATCHER			
23		890016-06210	1	LABEL, CAUTION		Sus. by 890016-06213	
23		890016-06211	1	LABEL, CAUTION		Sus. by 890016-06213	
23		890016-06212	1	LABEL, CAUTION		Sus. by 890016-06213	
23		890016-06213	1	LABEL, CAUTION			
24		890081-07310	1	LABEL, CAUTION			

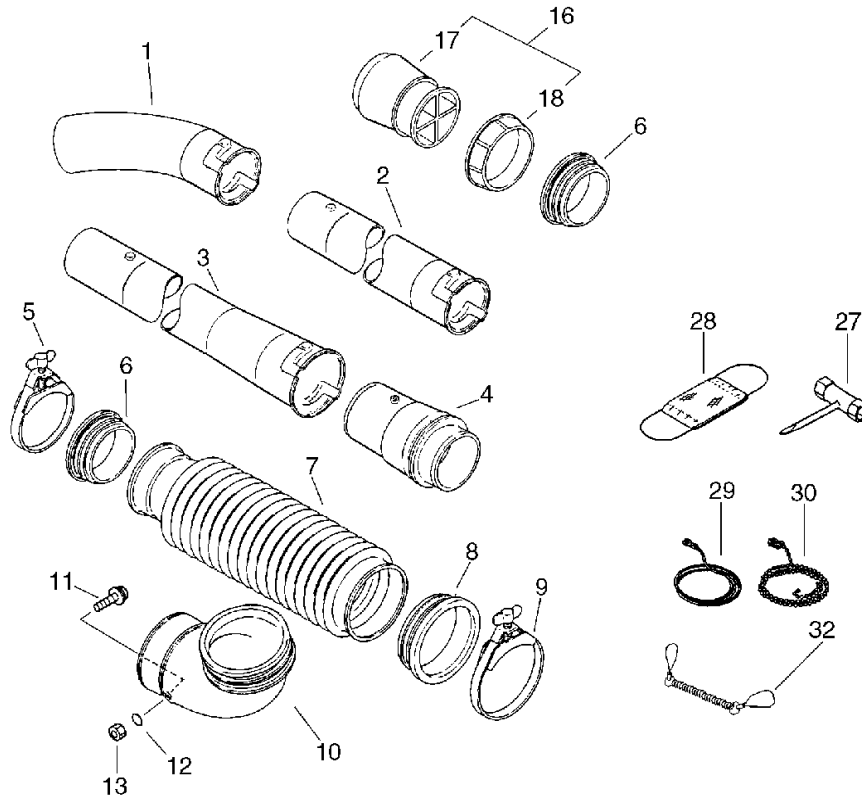
7. Chemical Tank



KEY	LV	PART NUMBER	Q'TY	DESCRIPTION	REMARKS	NOTE1	NOTE2
25		890016-07010	1	LABEL, CAUTION		Sus. by 890016-07011	
25		890016-07011	1	LABEL, CAUTION			

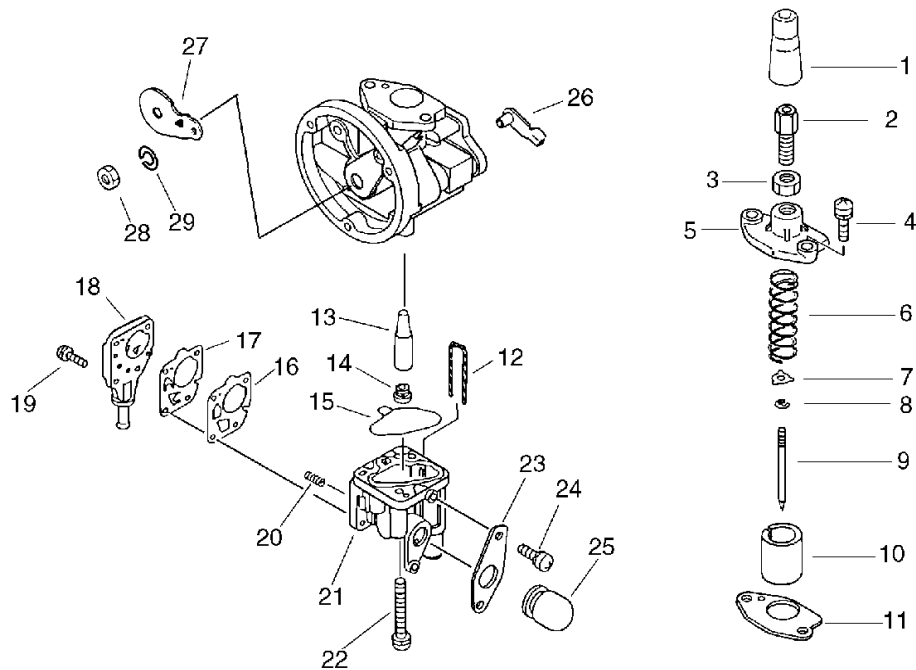


8. Dust Blower, Tools



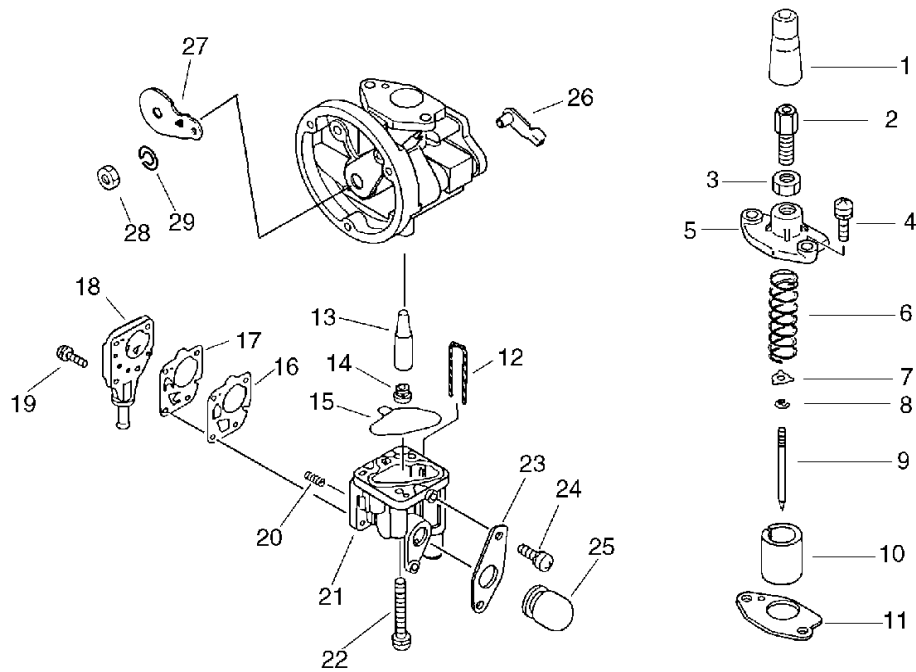
KEY	LV	PART NUMBER	Q'TY	DESCRIPTION	REMARKS	NOTE1	NOTE2
1		210023-05510	1	PIPE, CURVED			
2		210015-05510	1	PIPE, STRAIGHT			
3		210014-05510	1	PIPE, STRAIGHT			
4		210002-04110	1	PIPE, SWIVEL (BL)		Sus. by 210002-04111	
4		210002-04111	1	PIPE, SWIVEL	BL		
5		210407-01110	1	CLAMP, FLEXIBLE PIPE			
6		210032-04110	2	PACKING, FLX. PIPE			
7		210013-04111	1	PIPE, FLEXIBLE			
8		210036-04110	1	GASKET, FLX. PIPE			
9		210407-04110	1	CLAMP, FLEXIBLE PIPE			
10		210011-05510	1	ELBOW, BLOWING			
11		900292-05014	1	SCREW 5*14	5*14 SUS		
12		900720-00004	1	O-RING (P-4)	P-4		
13		900504-00005	1	NUT 5B	5B		
16		220105-01610	1	CONNECTER KIT			
17	+	220028-01611	1	CONNECTOR			
18	+	220033-01610	1	NUT, HOLLOW			
27		895410-03930	1	WRENCH, W/S. DRIVER		Sus. by X602-000020	
27		X602-000020	1	TOOL, WRENCH	17*19 L200		
28		898544-01111	1	MASK			
29		898552-02910	1	GRAUND LEAD			
30		898537-02910	1	CHAIN, GRAUND	リード センツキ		
32		V451-000410	1	SPRING, TENSION			

9. Carburetor



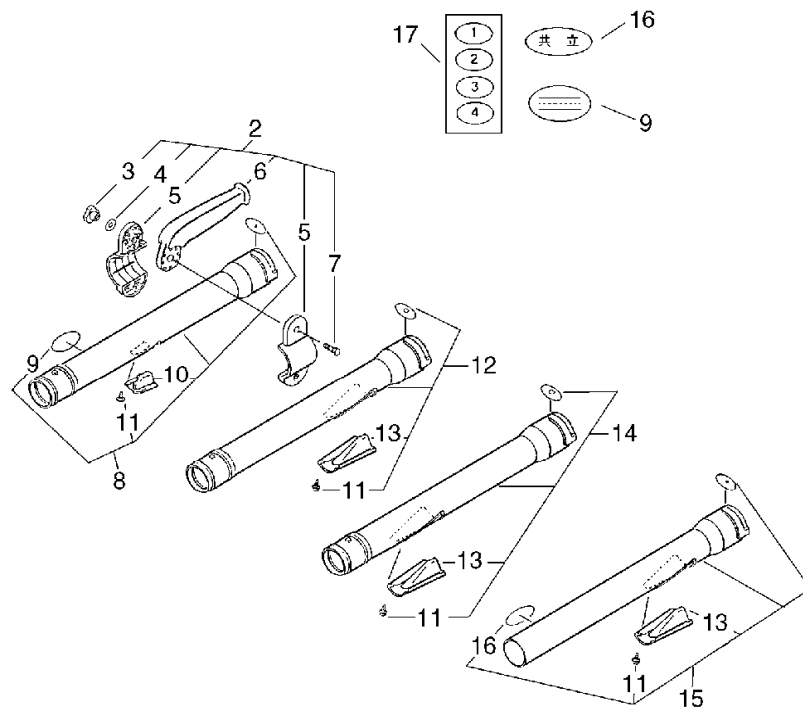
KEY	LV	PART NUMBER	Q'TY	DESCRIPTION	REMARKS	NOTE1	NOTE2
		124200-06210	1	CARBURETOR ASSY	K15PR-5C		
1	+	124174-11120	1	CAP			
2	+	124158-05510	1	ADJUSTER			
3	+	124111-05510	1	NUT			
4	+	900241-04012	2	SCREW 4*12	4*12		
5	+	124113-05510	1	COVER, TOP			
6	+	124114-05510	1	SPRING, THROTTLE			
7	+	124115-05510	1	SEAT, SPRING			
8	+	124116-05530	1	E-RING			
9	+	124117-05610	1	NEEDLE, JET			
10	+	124118-05510	1	VALVE, THROTTLE			
11	+	124172-05511	1	GASKET, BODY TOP			
12	+	124182-05510	1	WIRE, DRAIN			
13	+	124162-05510	1	JET, NEEDLE			
14	+	124122-05510	1	JET, MAIN			
15	+	124123-05510	1	GASKET, CHAMBER			
16	+	124363-21330	1	GASKET, PUMP DIAPH.			
17	+	124364-05510	1	DIAPHRAGM, FUEL PUMP			
18	+	124365-05510	1	COVER, PUMP			
19	+	900241-03010	4	SCREW 3*10 (W/SW)	3*10		
20	+	124367-21330	2	SPRING, COIL			
21	+	124124-05910	1	CHANBER			
22	+	900241-04030	2	SCREW 4*30 (W/SW)	4*30		
23	+	124163-05510	1	PLATE			
24	+	900241-04008	2	SCREW 4*8	4*8		
25	+	124381-05511	1	CAP			

9. Carburetor



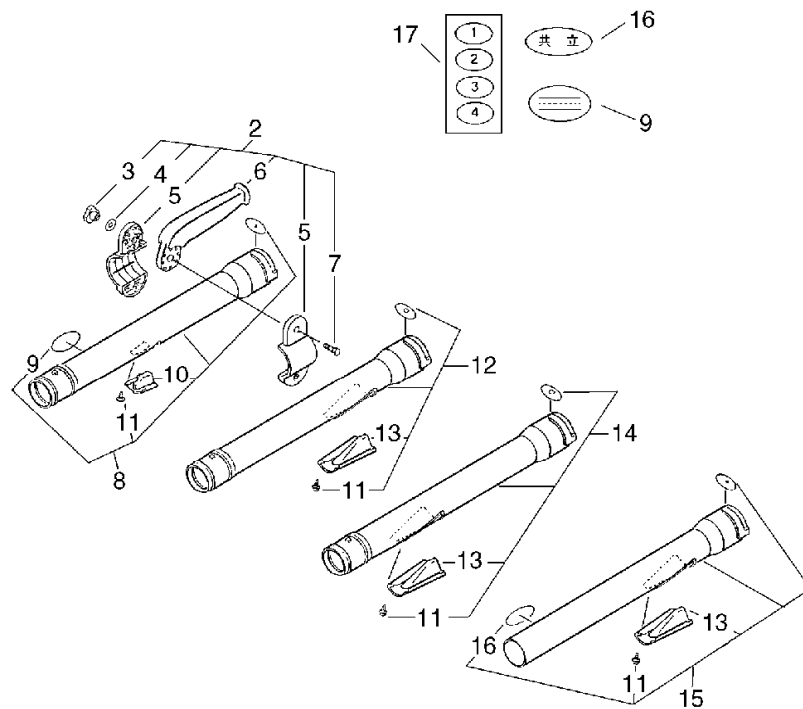
KEY	LV	PART NUMBER	Q'TY	DESCRIPTION	REMARKS	NOTE1	NOTE2
26	+	124142-06210	1	LEVER, CHOKE			
27	+	124143-06210	1	SHUTTER, CHOKE			
28	+	124111-05810	1	NUT			
29	+	900605-00006	1	WASHER, SPRING 6	6		

10. Spreading Nozzle



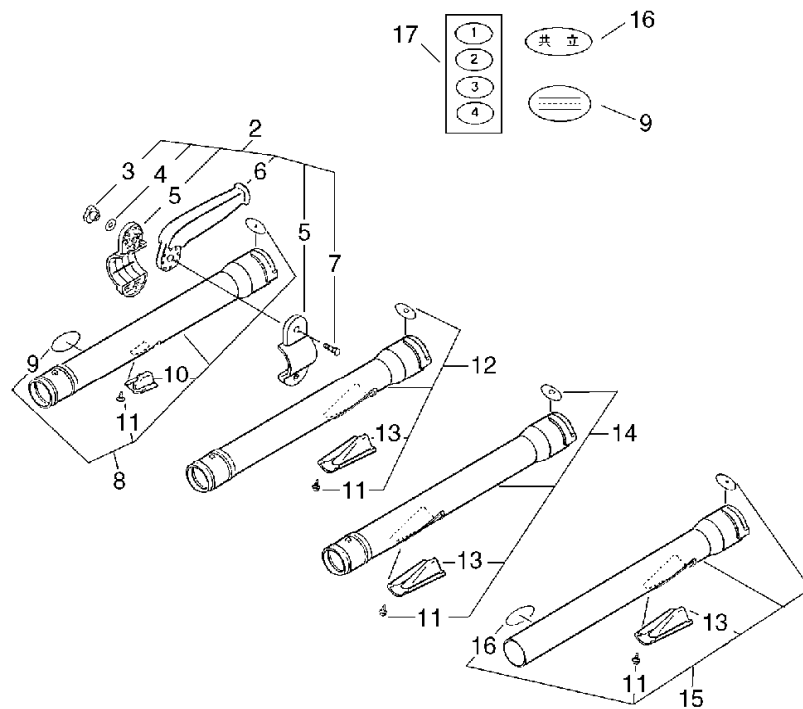
KEY	LV	PART NUMBER	Q'TY	DESCRIPTION	REMARKS	NOTE1	NOTE2
2		351002-06810	1	HANDLE KIT DMK-1			
3	+	352325-06910	2	KNOB, FASTENER			
4	+	900630-00006	2	WASHER 6.5*16*2T	6.5*16*2T		
5	+	351028-06810	2	BRACKET, HANDLE			
6	+	305811-06810	1	HANDLE, FRONT			
7	+	900104-06030	2	BOLT 6*30 SUS	6*30 SUS		
8		211405-06810	1	NOZZLE DMK-1 NO.1	DMK-1 NO.1	Sus. by P021-003620	
8		211405-06811	1	NOZZLE DMK-1 NO.1	DMK-1 NO.1 BLUE	Sus. by P021-003620	
8		P021-003620	1	NOZZLE DMK-2 NO.1			
9	+	890068-06511	1	LABEL, BRAND		Sus. by X503-003050	
9	+	X503-003050	1	LABEL, MODEL	DMK-2		
10	+	211413-06811	1	PLATE, GUIDE		Sus. by E287-000010	
10	+	E287-000010	1	GUIDE, BLOW HEAD			
11	+	900295-03006	4	SCREW, TAPPING 3*6	3*6 SUS	Sus. by 900294-03006	
11	+	900294-03006	4	SCREW 3*6	3*6		
12		211406-06810	1	NOZZLE DMK-1 NO.2	DMK-1 NO.2	Sus. by P021-003630	
12		211406-06811	1	NOZZLE DMK-1 NO.2	DMK-1 NO.2 BLUE	Sus. by P021-003630	
12		P021-003630	1	NOZZLE DMK-2 NO.2			

10. Spreading Nozzle



KEY	LV	PART NUMBER	Q'TY	DESCRIPTION	REMARKS	NOTE1	NOTE2
11	+	900295-03006	4	SCREW, TAPPING 3*6	3*6 SUS	Sus. by 900294-03006	
11	+	900294-03006	4	SCREW 3*6	3*6		
13	+	211414-06811	1	PLATE, GUIDE		Sus. by E287-000000	
13	+	E287-000000	1	GUIDE,BLOW HEAD			
14		211406-06910	1	NOZZLE DMK-1 NO.3	DMK-1 NO.3	Sus. by P021-003630	
14		211406-06911	1	NOZZLE DMK-1 NO.3	DMK-1 NO.3 ノズル	Sus. by P021-003630	
14		P021-003630	1	NOZZLE DMK-2 NO.2			
11	+	900295-03006	4	SCREW, TAPPING 3*6	3*6 SUS	Sus. by 900294-03006	
11	+	900294-03006	4	SCREW 3*6	3*6		
13	+	211414-06811	1	PLATE, GUIDE		Sus. by E287-000000	
13	+	E287-000000	1	GUIDE,BLOW HEAD			
15		211407-06810	1	NOZZLE DMK-1 NO.4	DMK-1 NO.4	Sus. by P021-003650	
15		211407-06811	1	NOZZLE DMK-1 NO.4	DMK-1 NO.4 BLUE	Sus. by P021-003650	
15		P021-003650	1	NOZZLE DMK-2 NO.4			
11	+	900295-03006	4	SCREW, TAPPING 3*6	3*6 SUS	Sus. by 900294-03006	
11	+	900294-03006	4	SCREW 3*6	3*6		

10. Spreading Nozzle



KEY	LV	PART NUMBER	Q'TY	DESCRIPTION	REMARKS	NOTE1	NOTE2
13	+	211414-06811	1	PLATE, GUIDE		Sus. by E287-000000	
13	+	E287-000000	1	GUIDE,BLOW HEAD			
16	+	890012-12710	1	LABEL, KIORITZ	52*195	Sus. by X524-000820	
16	+	X524-000820	1	LABEL	DMK-2		
17		890991-06810	1	LABEL		Sus. by X524-000820	
17	+	X524-000820	1	LABEL	DMK-2		

Index

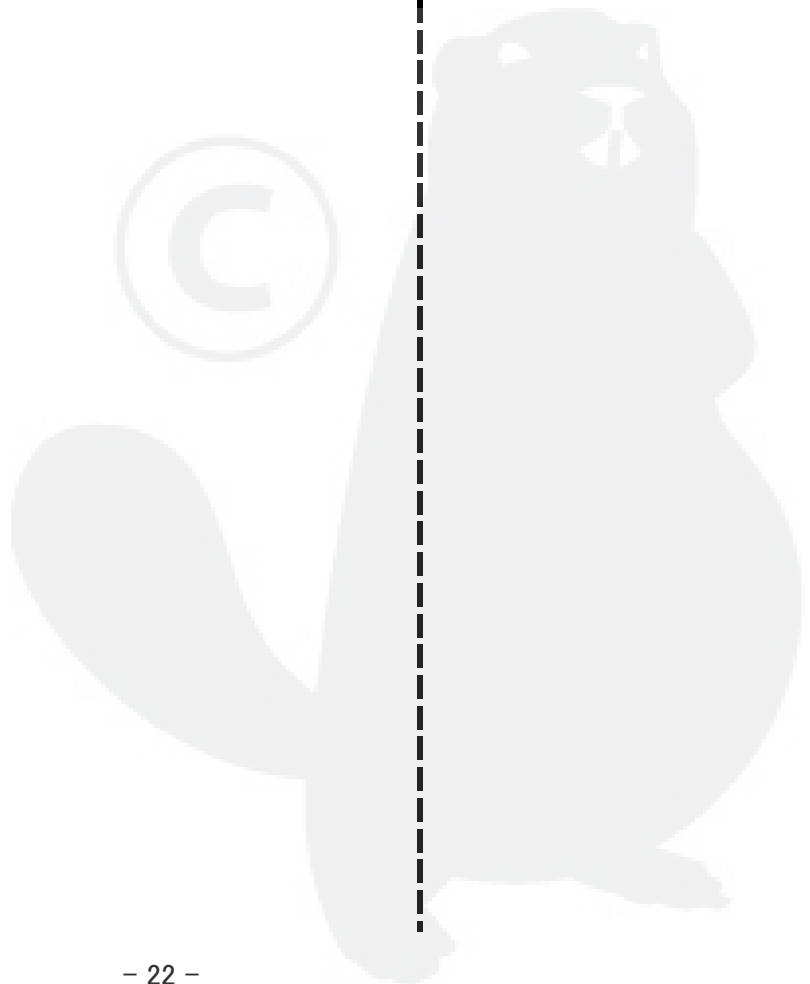
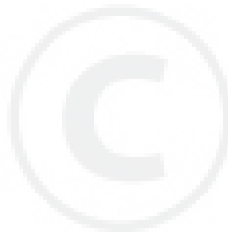
Patrs Number	Key No.	Patrs Number	Key No.	Patrs Number	Key No.
100000-06210	1 - 9	130313-03710	3 - 31	178005-06410	6 - 14
100011-32330	1 - 10	130314-05510	3 - 25	178005-06411	6 - 14
100012-12331	1 - 13	130317-03710	3 - 28	200005-06210	2 - 1
100013-06210	1 - 11	130319-03710	3 - 27	200105-06310	4 - 30
100015-00120	1 - 12	130320-05510	3 - 22	200107-06310	4 - 20
100100-06210	1 - 14	131003-05330	3 - 2	200910-06210	5 - 2
100204-08261	1 - 16	131004-06210	3 - 1	200916-03210	5 - 3
100213-00310	1 - 17	131005-06211	3 - 4	210002-04110	8 - 4
100215-03930	1 - 18	131005-06212	3 - 4	210002-04111	8 - 4
100242-10721	1 - 21	131005-06213	3 - 4	210011-05510	8 - 10
101010-06211	1 - 8	131016-21060	3 - 3	210013-04111	8 - 7
101011-06910	1 - 4	131205-05630	3 - 11	210014-05510	8 - 3
101100-06810	1 - 30	132001-05510	3 - 14	210015-05510	8 - 2
101112-52030	1 - 31	132010-06410	3 - 24	210023-05510	8 - 1
101514-06210	1 - 1	132010-06530	3 - 16	210032-04110	8 - 6
101576-06210	1 - 7	132010-35430	3 - 9	210035-06310	4 - 15
104016-06410	1 - 28	132013-05060	3 - 15	210036-04110	8 - 8
124111-05510	9 - 3	132013-14010	3 - 23	210407-01110	8 - 5
124111-05810	9 - 28	132013-26630	3 - 10	210407-04110	8 - 9
124113-05510	9 - 5	132115-12330	3 - 8	210425-04110	4 - 21
124114-05510	9 - 6	145510-06210	2 - 40	211405-06810	10 - 8
124115-05510	9 - 7	145512-06210	1 - 2	211405-06811	10 - 8
124116-05530	9 - 8	145512-06211	1 - 2	211406-06810	10 - 12
124117-05610	9 - 9	145610-06210	2 - 41	211406-06811	10 - 12
124118-05510	9 - 10	145610-06211	2 - 41	211406-06910	10 - 14
124122-05510	9 - 14	145642-00760	3 - 7	211406-06911	10 - 14
124123-05510	9 - 15	150112-00310	1 - 25	211407-06810	10 - 15
124124-05910	9 - 21	156601-06211	2 - 8	211407-06811	10 - 15
124142-06210	9 - 26	156611-04260	2 - 9	211413-06811	10 - 10
124143-06210	9 - 27	156800-06161	2 - 6	211414-06811	10 - 13
124158-05510	9 - 2	159010-19630	2 - 12	211414-06811	10 - 13
124162-05510	9 - 13	159011-03432	2 - 11	211414-06811	10 - 13
124163-05510	9 - 23	159012-03433	2 - 10	220028-01611	8 - 17
124172-05511	9 - 11	159129-08260	1 - 26	220033-01610	8 - 18
124174-11120	9 - 1	177200-06910	2 - 20	220105-01610	8 - 16
124182-05510	9 - 12	177202-06210	2 - 16	250001-05510	7 - 1
124200-06210	3 - 20	177215-06910	2 - 22	250010-07810	7 - 4
124200-06210	9 -	177218-40630	2 - 19	250010-07811	7 - 4
124363-21330	9 - 16	177220-11120	2 - 23	250010-07812	7 - 4
124364-05510	9 - 17	177226-11120	2 - 24	250011-02011	7 - 3
124365-05510	9 - 18	177227-42030	2 - 25	250013-00310	7 - 2
124367-21330	9 - 20	177228-11120	2 - 26	250110-06212	4 - 4
124381-05511	9 - 25	177234-06910	2 - 29	250910-06310	7 - 8
130010-06210	3 - 17	177234-40630	2 - 18	250914-06210	7 - 9
130016-05510	3 - 19	177236-06910	2 - 21	250915-06310	7 - 12
130016-06211	1 - 5	177246-11120	2 - 27	250916-06210	5 - 4
130017-06210	3 - 18	177279-06910	2 - 28	250930-07510	7 - 13
130310-02910	3 - 29	177280-06910	2 - 31	250932-06210	7 - 14
130311-03710	3 - 30	178001-05510	6 - 35	270010-06211	4 - 24

Index

Patrs Number	Key No.	Patrs Number	Key No.	Patrs Number	Key No.
270015-06211	4 - 5	890012-07510	7 - 21	900292-05014	8 - 11
270018-06210	4 - 25	890012-12710	10 - 16	900292-05020	1 - 29
270110-06210	4 - 13	890016-06210	7 - 23	900292-05025	1 - 24
270112-06211	4 - 14	890016-06211	7 - 23	900292-05025	6 - 10
270113-06310	4 - 36	890016-06212	7 - 23	900294-03006	10 - 11
270114-07610	4 - 35	890016-06213	7 - 23	900294-03006	10 - 11
270119-06210	4 - 16	890016-07010	7 - 25	900294-03006	10 - 11
270122-06211	4 - 10	890016-07011	7 - 25	900294-03006	10 - 11
270153-06210	4 - 9	890016-07310	3 - 33	900295-03006	10 - 11
270205-07311	6 - 29	890026-00311	3 - 34	900295-03006	10 - 11
270216-06210	6 - 30	890034-07810	7 - 20	900295-03006	10 - 11
275100-06314	4 - 1	890035-06210	7 - 22	900295-03006	10 - 11
275106-06410	4 - 34	890035-48631	4 - 32	900295-04014	4 - 12
275106-07610	4 - 7	890053-56330	2 - 33	900296-04012	6 - 9
275115-07610	4 - 38	890068-06511	10 - 9	900300-12015	2 - 30
275123-05510	4 - 8	890081-07310	7 - 24	900323-03014	1 - 15
300010-07310	5 - 1	890098-06210	4 - 33	900333-70380	7 - 15
300010-07311	5 - 1	890098-06211	4 - 33	900500-00005	6 - 23
300029-06210	2 - 34	890187-03710	3 - 32	900501-00010	2 - 4
300111-14010	5 - 5	890991-06810	10 - 17	900502-00006	6 - 19
300302-07410	5 - 7	895410-03930	8 - 27	900504-00005	4 - 29
300328-03210	5 - 10	898537-02910	8 - 30	900504-00005	6 - 12
300333-06160	5 - 6	898544-01111	8 - 28	900504-00005	8 - 13
305117-03360	2 - 35	898552-02910	8 - 29	900539-00005	4 - 3
305811-06810	10 - 6	900104-06030	10 - 7	900560-00005	5 - 11
351002-06810	10 - 2	900105-06020	2 - 42	900600-00008	6 - 21
351028-06810	10 - 5	900148-05035	2 - 5	900602-00010	2 - 2
352325-06910	10 - 3	900162-05020	1 - 3	900603-00005	3 - 12
357013-00210	3 - 23	900216-05016	5 - 9	900604-00005	4 - 23
370301-06211	4 - 28	900220-06014	3 - 5	900605-00006	3 - 6
370316-06210	4 - 27	900226-04010	4 - 6	900605-00006	9 - 29
370321-06210	4 - 26	900241-03010	9 - 19	900605-00010	2 - 3
701007-06610	6 - 18	900241-04008	9 - 24	900609-00005	4 - 22
701010-06610	6 - 20	900241-04012	9 - 4	900620-00004	1 - 32
701014-07310	6 - 28	900241-04030	9 - 22	900630-00006	10 - 4
701016-06210	6 - 7	900242-04014	3 - 26	900700-00004	2 - 17
701017-06210	6 - 8	900242-05010	1 - 6	900703-00003	1 - 33
701020-05510	6 - 22	900242-05014	2 - 43	900703-00003	6 - 25
701021-02910	6 - 15	900242-05018	1 - 27	900720-00004	4 - 2
701027-06210	6 - 5	900242-05018	2 - 7	900720-00004	8 - 12
701027-06211	6 - 5	900242-05040	1 - 22	900720-00007	6 - 32
701027-06212	6 - 5	900242-06065	3 - 21	900810-36202	1 - 19
701028-06210	6 - 37	900266-04012	4 - 37	E287-000000	10 - 13
701038-07210	6 - 26	900286-05016	6 - 17	E287-000000	10 - 13
701039-07210	6 - 27	900286-05025	4 - 18	E287-000000	10 - 13
701111-06210	6 - 11	900286-05025	6 - 16	E287-000010	10 - 10
701111-06211	6 - 11	900286-05035	7 - 10	P021-003620	10 - 8
701112-06210	6 - 13	900292-04014	6 - 31	P021-003630	10 - 12
701114-06210	6 - 6	900292-04018	2 - 32	P021-003630	10 - 14

Index

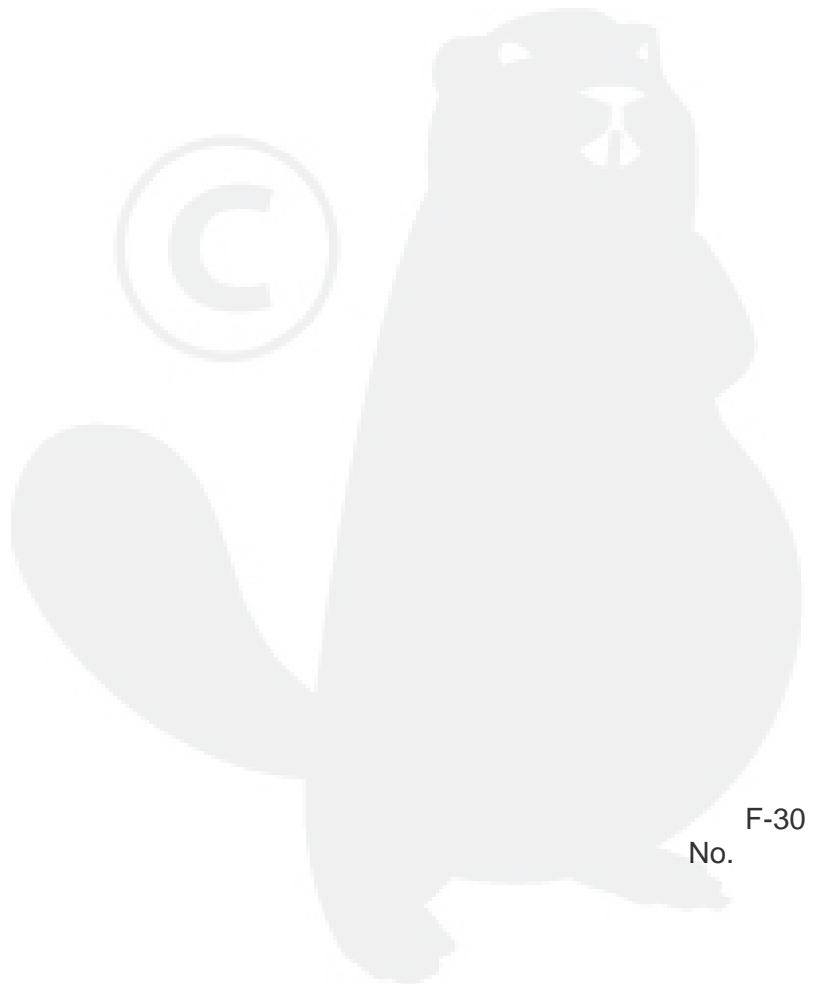
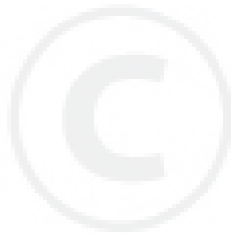
Patrs Number	Key No.	Patrs Number	Key No.	Patrs Number	Key No.
P021-003650	10 - 15				
P022-005100	2 - 30				
V451-000410	8 - 32				
X503-003050	10 - 9				
X505-000860	3 - 33				
X524-000820	10 - 16				
X524-000820	10 - 17				
X602-000020	8 - 27				



YAMABIKO CORPORATION

7-2 SUEHIROCHO 1-CHOME, OHME, TOKYO 198-8760, JAPAN
PHONE: 81-428-32-6118. FAX: 81-428-32-6145.

ECHO[®]



F-30
No.