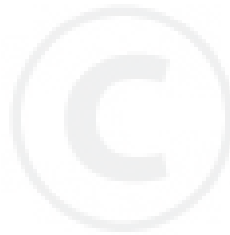




**PARTS CATALOG**

**DUSTER / MIST BLOWER**

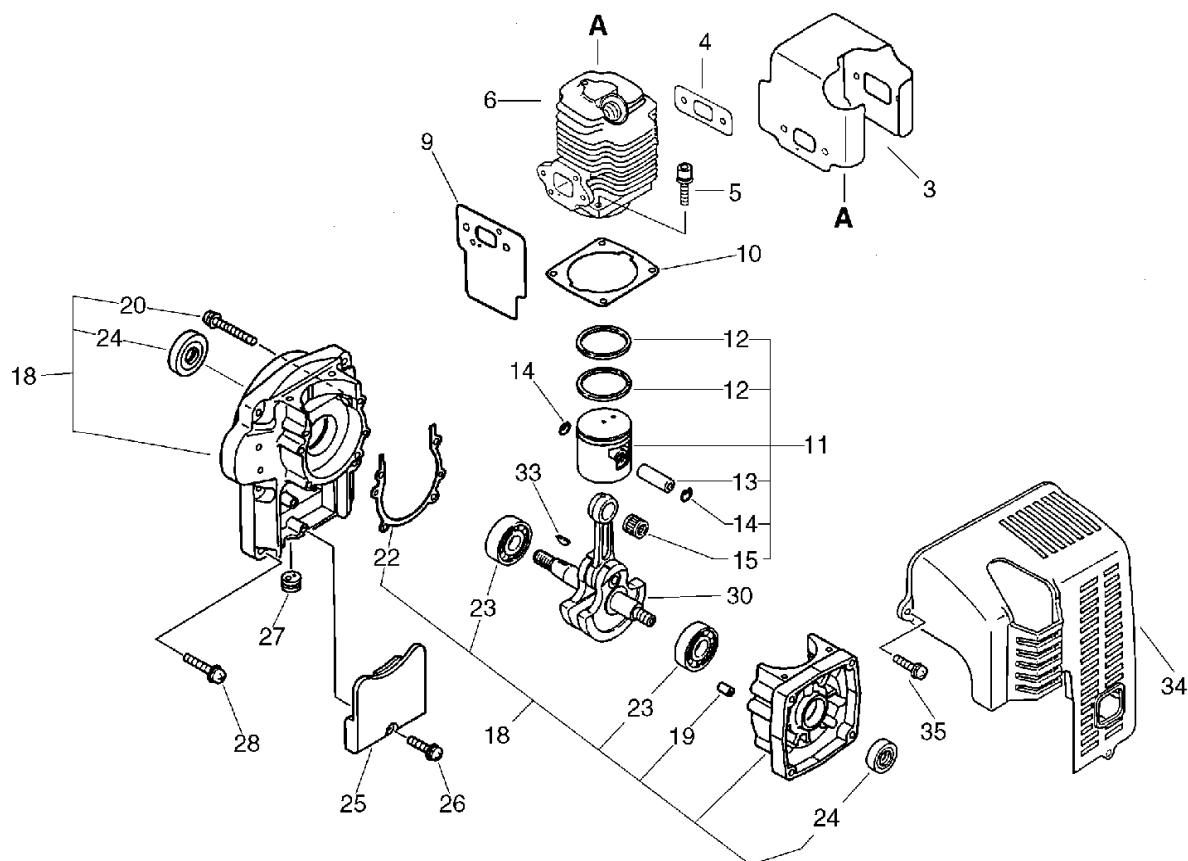
**DMD421**



DMD421

# 1. Cylinder, Crankcase, Piston

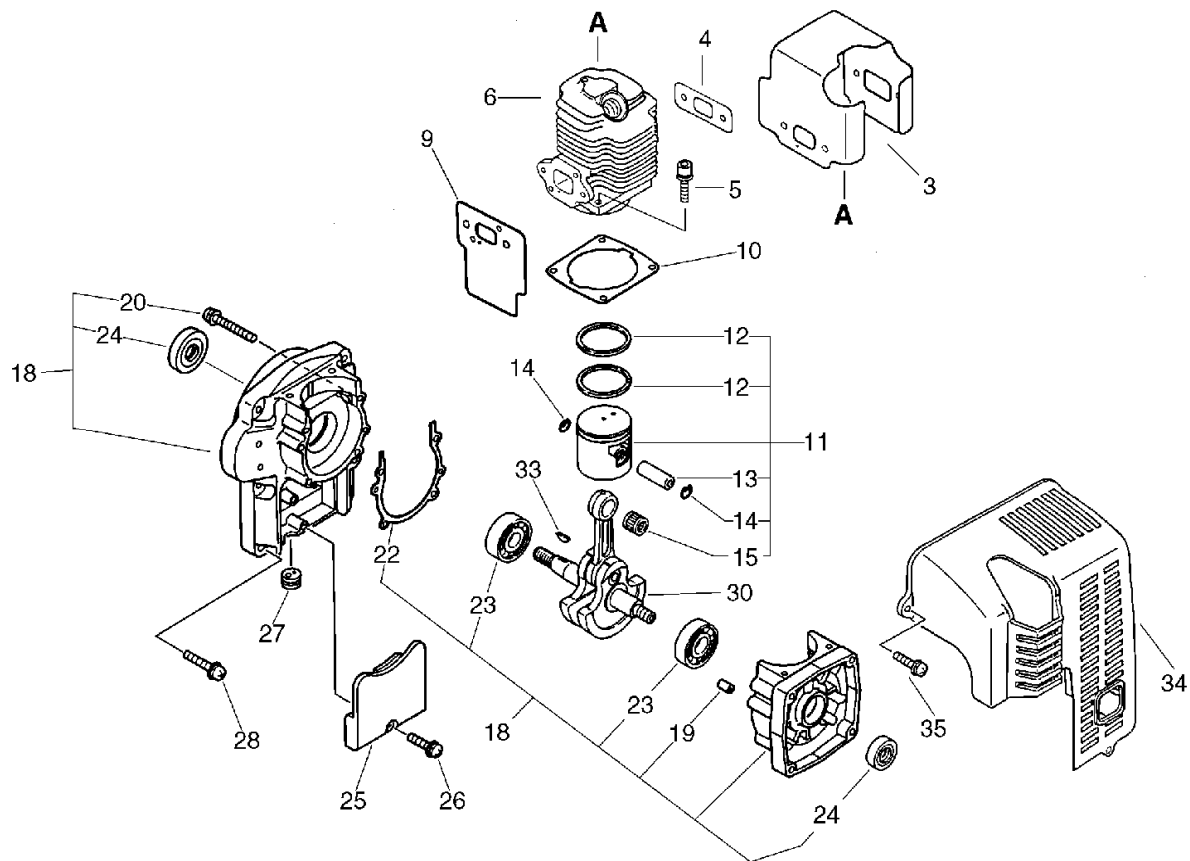
No.1



KEY	LV	PART NUMBER	Q'TY	DESCRIPTION	REMARKS	NOTE1	NOTE2
3		101514-06610	1	COVER, CYLINDER			
4		145510-06210	1	GASKET, MUFFLER		Sus. by 145510-06211	
4		145510-06211	1	GASKET, MUFFLER			
5		900162-05020	4	BOLT, H.S. 5*20	5*20 W,SW		
6		101011-05111	1	CYLINDER			
9		130010-06410	1	GASKET, INTAKE			
10		101010-10722	1	GASKET, CYL. BASE			
11		100000-10720	1	PISTON KIT			
12	+	100011-01110	2	RING, PISTON			
13	+	100013-03460	1	PIN, PISTON			
14	+	100015-00120	2	CIRCLIP, PISTON PIN			
15	+	100012-12331	1	BEARING, NEEDLE			
18		100204-08261	1	CRANKCASE KIT			
19	+	100215-03930	2	PIN, DOWEL			
20	+	900242-05040	4	SCREW 5*40	5*40		
22	+	100242-10721	1	GASKET, CRANKCASE			
23	+	900810-36202	2	BEARING, BALL 6202	6202/C3		
24	+	100213-00310	2	OILSEAL	ISCD 15 25 7		
25		159129-08260	1	COVER, DUST			
26		900242-05018	1	SCREW 5*18	5*18	Sus. by 900292-05018	
26		900292-05018	1	SCREW 5*18	5*18 SUS		
27		150112-00310	1	BUSHING			
28		900292-05025	6	SCREW 5*25	5*25 SUS		
30		100100-06610	1	CRANKSHAFT ASSY			

# 1. Cylinder, Crankcase, Piston

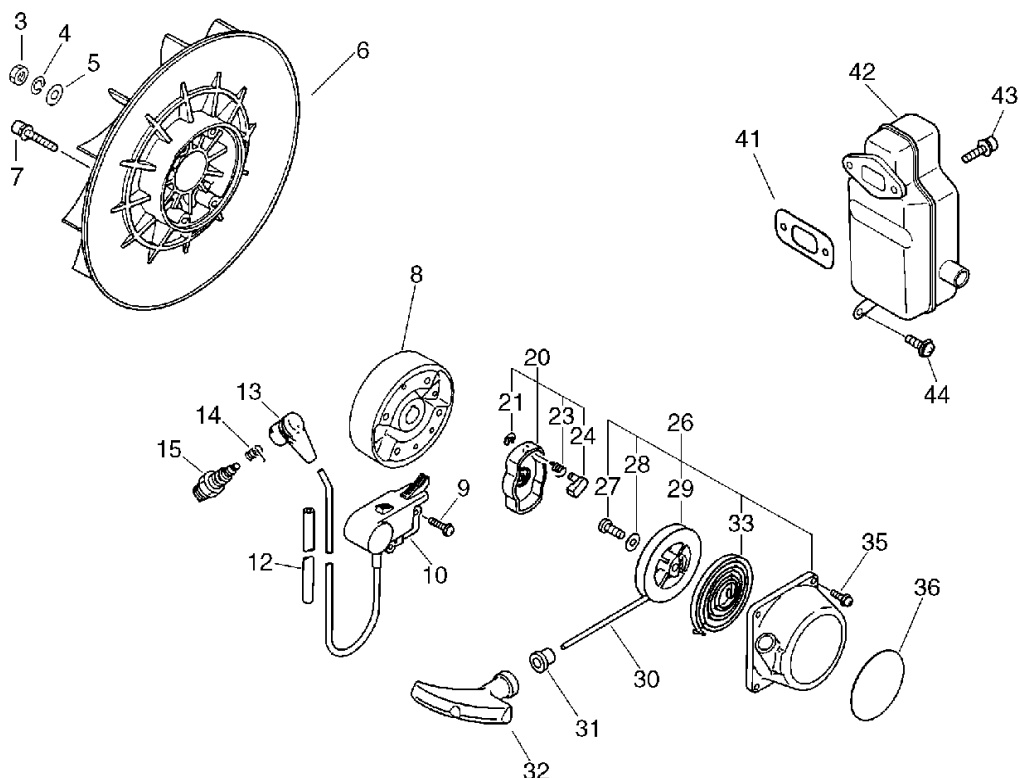
No.1



KEY	LV	PART NUMBER	Q'TY	DESCRIPTION	REMARKS	NOTE1	NOTE2
33		900323-03014	1	KEY WOODRUFF	3*14		
34		104016-06611	1	COVER, ENGINE			
35		900292-05020	3	SCREW 5*20	5*20 SUS		

## 2. Starter, Magneto, Muffler

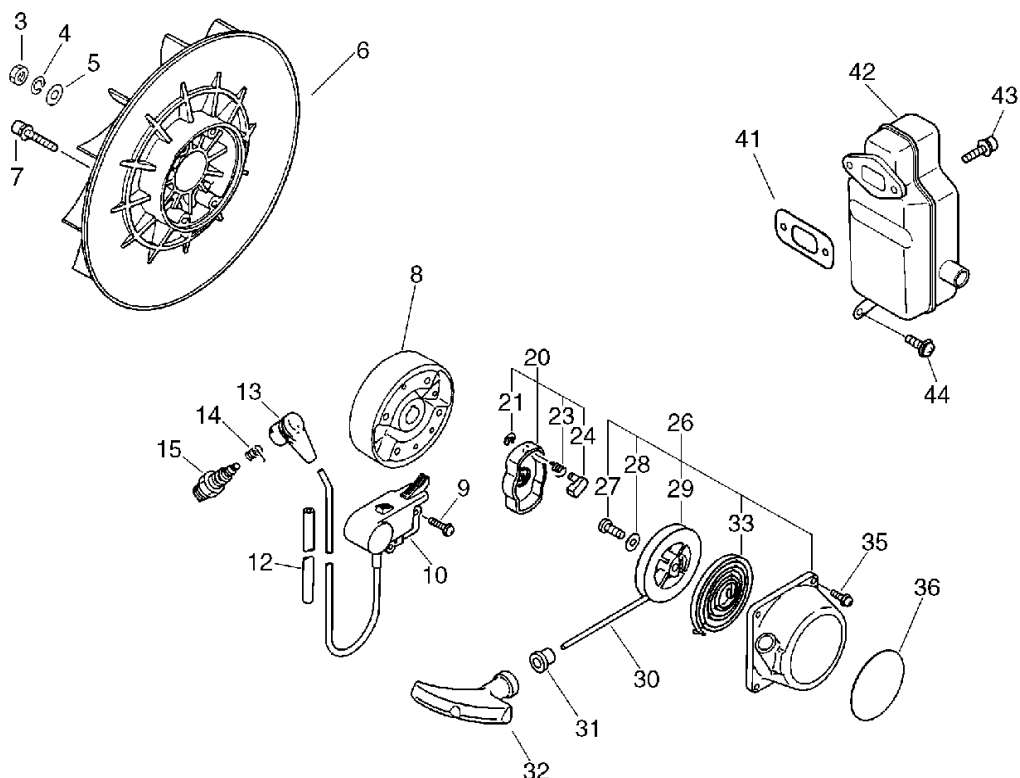
No.2



KEY	LV	PART NUMBER	Q'TY	DESCRIPTION	REMARKS	NOTE1	NOTE2
3		900501-00010	1	NUT 10*1.25	10*P1.25		
4		900605-00010	1	WASHER, SPRING 10	10		
5		900602-00010	1	WASHER 10(10.5*21*2)	10.5*21*2		
6		200010-06610	1	FAN			
7		900148-05035	4	BOLT 5*35	5*35		
8		156800-06611	1	ROTOR			
9		900242-05018	2	SCREW 5*18	5*18	Sus. by 900292-05018	
9		900292-05018	2	SCREW 5*18	5*18 SUS		
10		156601-06211	1	C.D. IGNITION MODULE			
12		156611-04260	1	TUBE	6*8*340		
13		159012-03433	1	CAP, SPARK PLUG			
14		159011-03432	1	COIL, SPARK PLUG			
15		159010-00330	1	PLUG, SPARK (BM-6A)	BM-6A		
20		177202-06210	1	PAWL ASSY, STARTER			
21	+	900700-00004	1	E-RING 4	CE-4		
23	+	177234-40630	1	SPRING, RETURN			
24	+	177218-40630	1	PAWL, STARTER	WHITE		
26		177200-06210	1	STARTER ASSY			
27	+	177236-40630	1	SCREW			
28	+	177214-40630	1	WASHER			
29	+	177215-11120	1	DRUM, STARTER			
30	+	177226-11120	1	ROPE, STARTER	3.8*1400		
31	+	177227-42030	1	GUIDE, ROPE			
32	+	177228-11120	1	GRIP, STARTER			
33	+	177220-11120	1	REWIND SPRING			

## 2. Starter, Magneto, Muffler

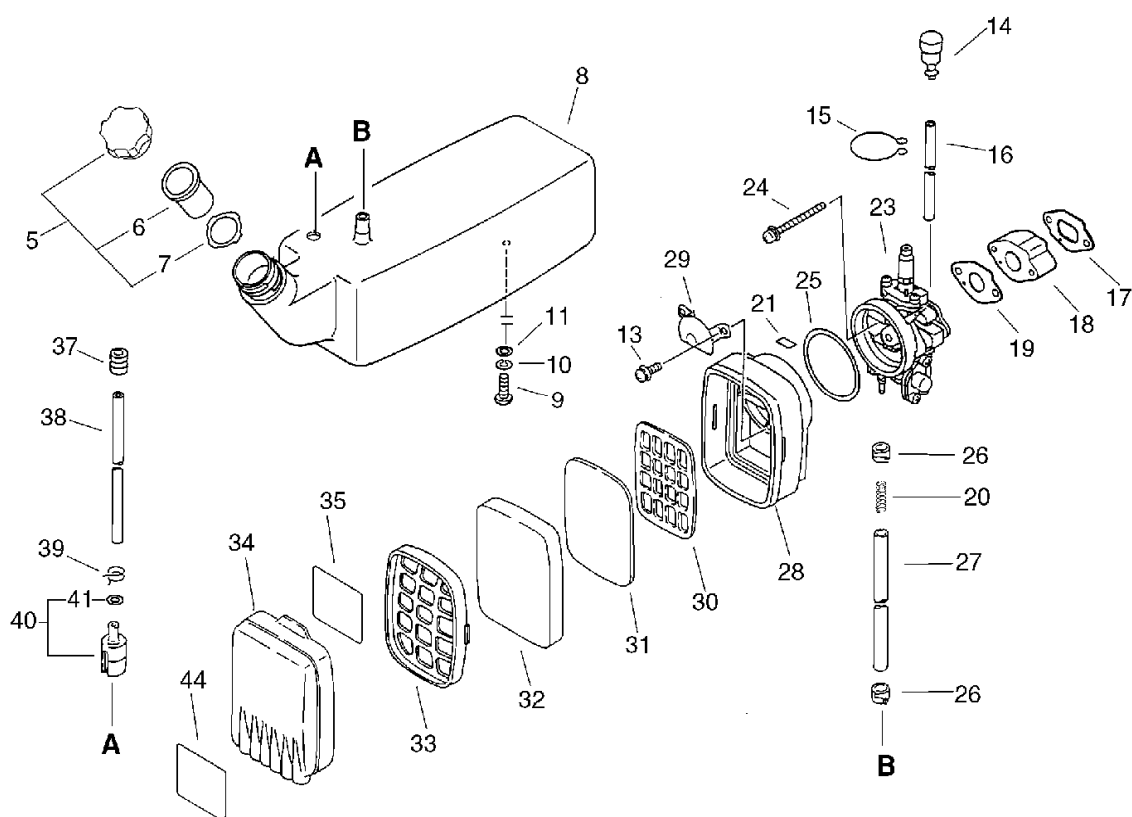
No.2



KEY	LV	PART NUMBER	Q'TY	DESCRIPTION	REMARKS	NOTE1	NOTE2
35		900292-04018	4	SCREW 4*18	4*18 SUS		
36		890053-00462	1	LABEL, KIORITZ		Sus. by 890053-56330	
36		890053-56330	1	LABEL, KIORITZ 56.5MM	56.5		
41		145510-06210	1	GASKET, MUFFLER		Sus. by 145510-06211	
41		145510-06211	1	GASKET, MUFFLER			
42		145610-06610	1	MUFFLER			
43		900162-06020	2	BOLT, H.S. 6*20	6*20 W.SW		
44		900242-05014	1	SCREW 5*14	5*14	Sus. by 900292-05014	
44		900292-05014	1	SCREW 5*14	5*14 SUS		

## 3. Air Cleaner, Fuel Tank

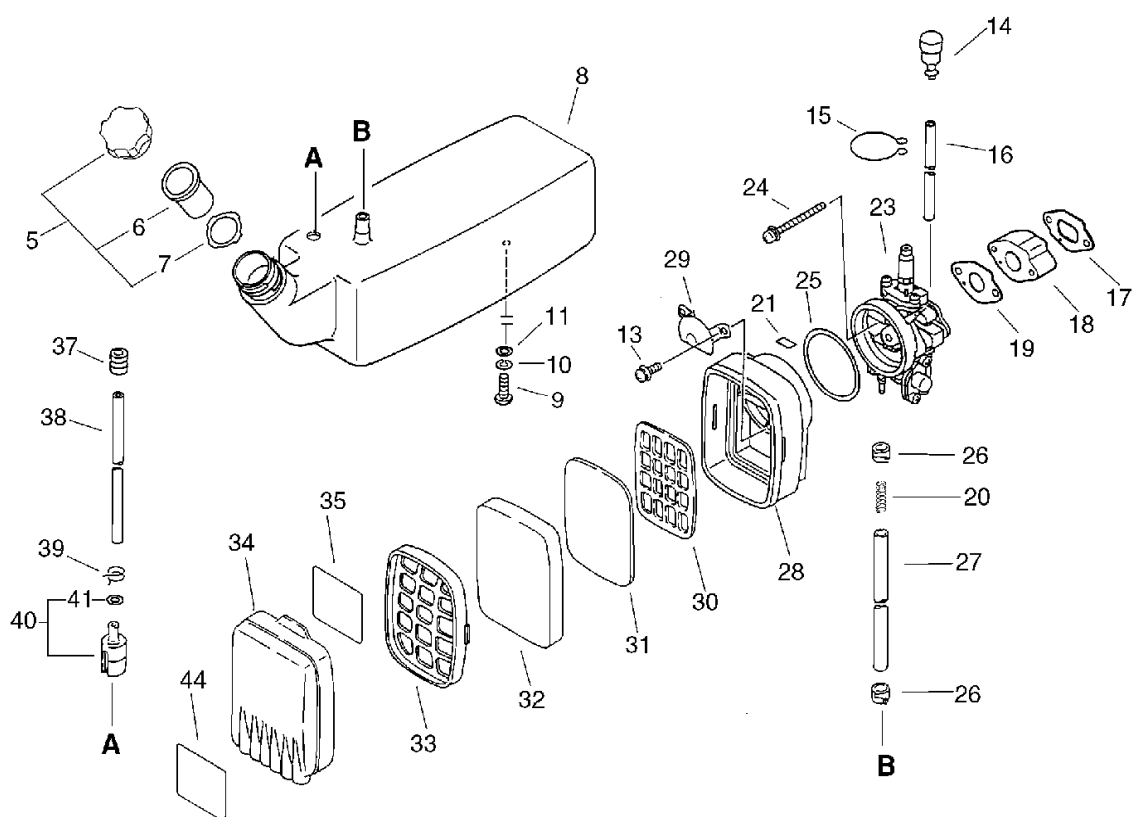
No.3



KEY	LV	PART NUMBER	Q'TY	DESCRIPTION	REMARKS	NOTE1	NOTE2
5		131004-06210	1	CAP ASSY, FUEL			
6	+	131003-05330	1	CUP SET, VENT			
7	+	131016-21060	1	GASKET, FUEL CAP			
8		131005-06610	1	TANK, FUEL		Sus. by 131005-06613	
8		131005-06611	1	TANK, FUEL		Sus. by 131005-06613	
8		131005-06612	1	TANK, FUEL		Sus. by 131005-06613	
8		131005-06613	1	TANK, FUEL			
9		900220-06014	2	SCREW +-SR 6*14	6*14	Sus. by 900226-06015	
9		900226-06015	2	SCREW, 6*15	6*15 SUS		
10		900605-00006	2	WASHER, SPRING 6	6		
11		145642-00760	2	WASHER 6.5*18*1.6	6.5*18*1.6		
13		900242-04012	2	SCREW 4*12	4*12		
14		132001-05510	1	VALVE, CHECK			
15		132013-05060	1	CLIP, PIPE			
16		132010-06530	1	PIPE 3*6* 85	3*6* 85		
17		130016-06410	1	GASKET, INTAKE			
18		130017-06410	1	INSULATOR			
19		130016-06110	1	GASKET, INTAKE			
20		132221-07410	1	SPRING, COMPRESSION			
21		890026-00310	1	LABEL, CHOKE		Sus. by 890026-00311	
21		890026-00311	1	LABEL, CHOK			

## 3. Air Cleaner, Fuel Tank

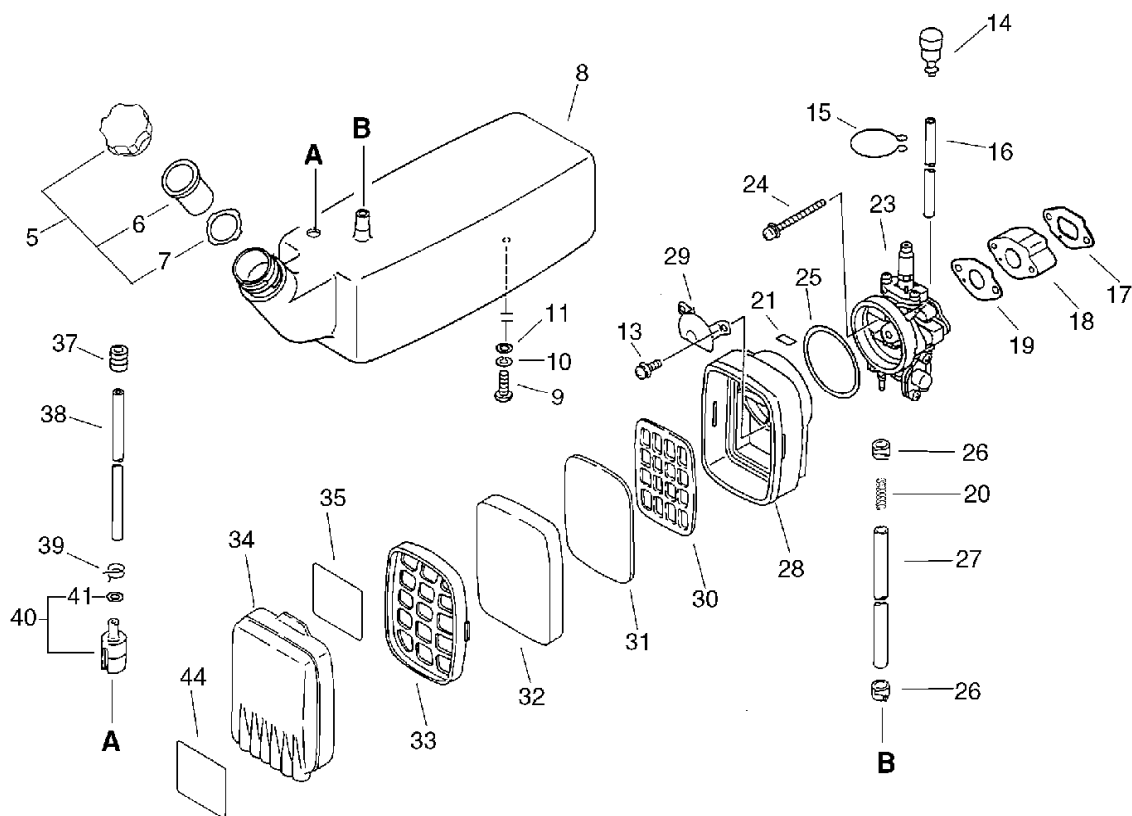
No.3



KEY	LV	PART NUMBER	Q'TY	DESCRIPTION	REMARKS	NOTE1	NOTE2
23		124200-06610	1	CARBURETOR ASSY	K13PR-6G		
24		900242-05055	2	SCREW 5*55 (W/W.SW)	5*55	Sus. by 91368-05055	
24		91368-05055	2	SCREW	SM-5*55	SUS	
25		130320-05810	1	SEAL, CLEANER			
26		357013-00210	2	CLIP 11	11≧リ	Sus. by 132013-14010	
26		132013-14010	2	BAND	10.5MM		
27		132012-06610	1	PIPE 7*11*75	7*11*75	Sus. by 132010-05910	
27		132010-05910	1	PIPE	5/16*7/16*80YL		
28		130307-04211	1	CASE, AIR CLEANER			
29		129011-05110	1	PLATE			
30		130319-03710	1	GRID, AIR CLEANER			
31		130317-03710	1	FILTER, AIR			
32		130310-02910	1	FILTER, AIR			
33		130311-03710	1	GRID, AIR CLEANER			
34		130313-03710	1	COVER, AIR CLEANER			
35		890187-03710	1	LABEL, CLEANER			
37		132115-12330	1	GROMMET			
38		132010-35430	1	PIPE 3*6*230	3*6*230		
39		132013-26630	1	CLIP	6.5MM		
40		131205-05630	1	STRAINER, FUEL			
41	+	900603-00005	1	WASHER 5	5.5*12*0.8		

### 3. Air Cleaner, Fuel Tank

No.3

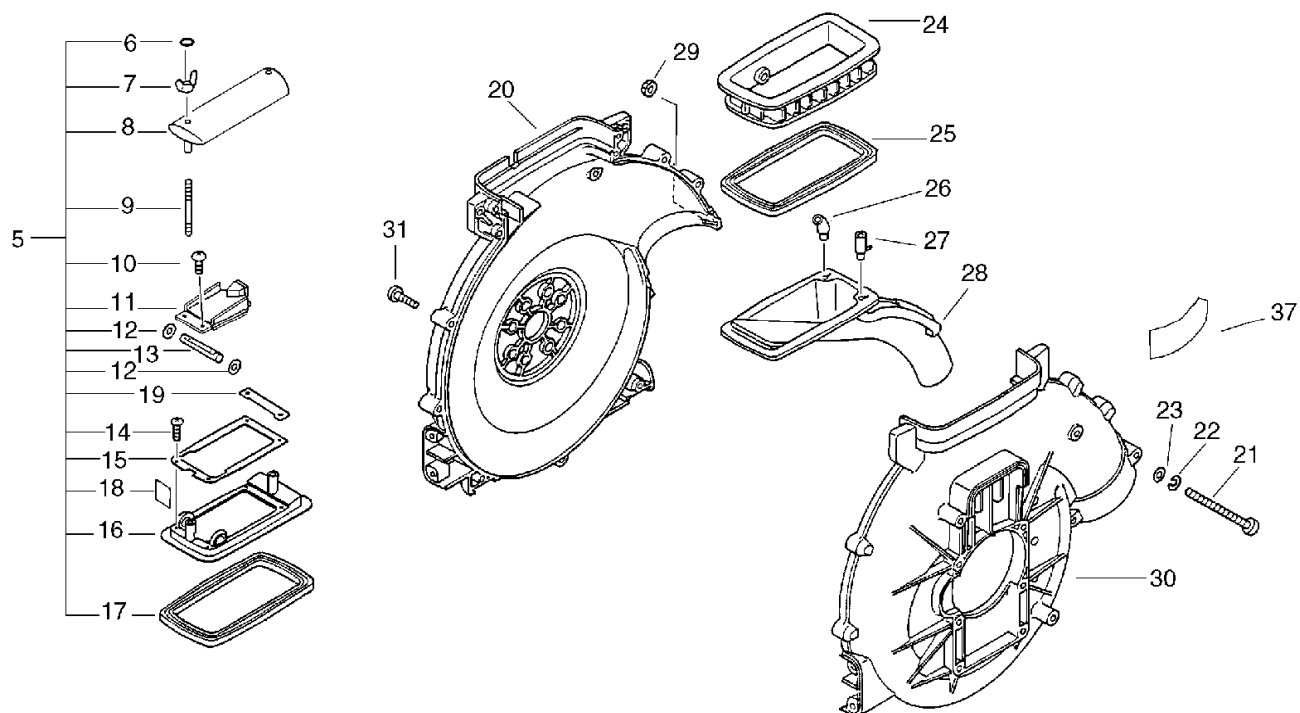


KEY	LV	PART NUMBER	Q'TY	DESCRIPTION	REMARKS	NOTE1	NOTE2
44		890016-07310	1	LABEL, CAUTION		Sus. by X505-000860	
44		X505-000860	1	LABEL, CAUTION			



## 4. Fan Case, Lower Tank

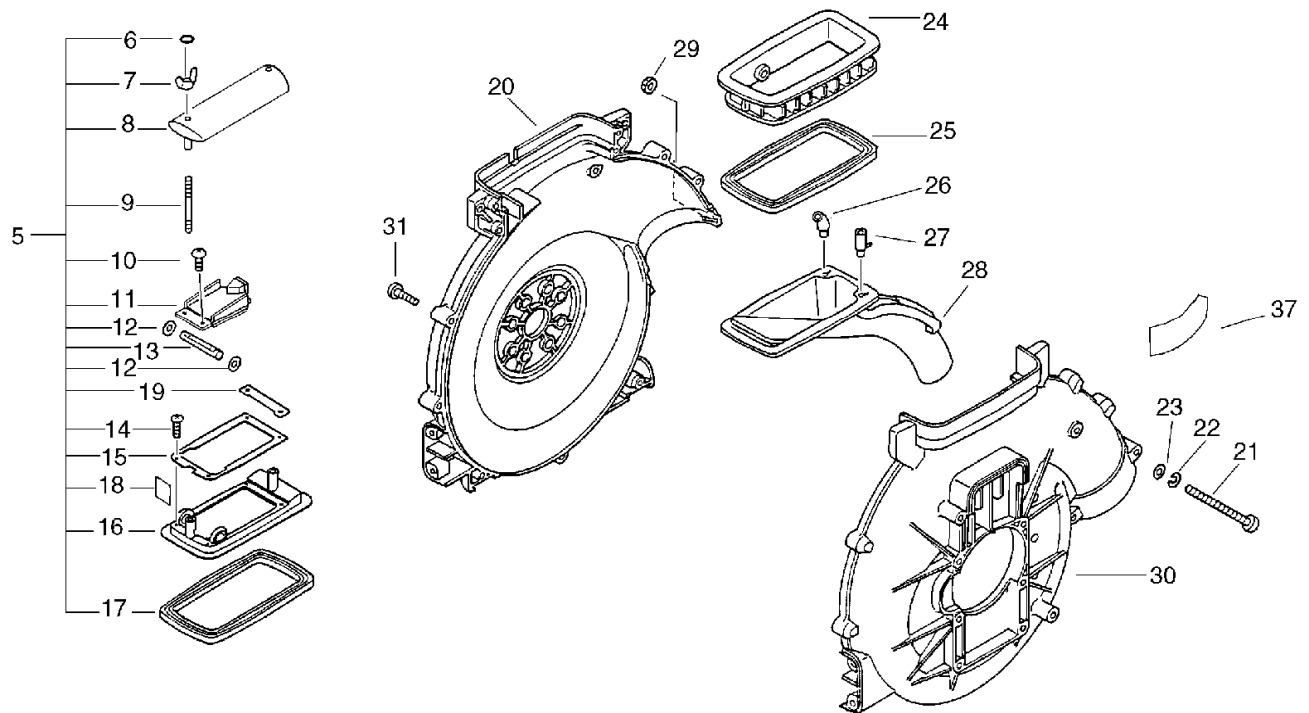
No.4



KEY	LV	PART NUMBER	Q'TY	DESCRIPTION	REMARKS	NOTE1	NOTE2
5		275100-06212	1	SHUTTER ASSY			
6	+	900720-00004	1	O-RING (P-4)	P-4		
7	+	900539-00005	1	NUT, WING 5	5		
8	+	250110-06212	1	STABILIZER			
9	+	270015-06211	1	BOLT, STUD	5*50		
10	+	900226-04010	2	SCREW, 4*10	4*10 SUS		
11	+	270145-06210	1	SHUTTER			
12	+	275123-05510	2	SPACER 10*19.5*0.3	10*19.5*0.3		
13	+	270153-06210	1	SHAFT, SHUTTER			
14	+	900295-04014	4	SCREW 4*14	4*14 SUS		
15	+	270110-06210	1	SHUTTER			
16	+	270112-06211	1	SHUTTER, METERING			
17	+	270119-06210	1	GASKET, SHUTTER			
18	+	210035-06310	1	PACKING, DUST			
19	+	270122-06211	1	PLATE, EYE			
20		200105-06610	1	CASE, FAN			
21		210425-04110	2	BOLT			
22		900609-00005	2	WASHER, SPRING 5 SUS	5 SUS		
23		900604-00005	2	WASHER 5 SUS	5 SUS		
24		270010-06211	1	TANK, LOWER			
25		270018-06210	1	PACKING			
26		370321-06210	1	PLATE		Sr/Nr 018996 and before	
27		370316-06210	1	GUIDE, AIR		Sr/Nr 018996 and before	

## 4. Fan Case, Lower Tank

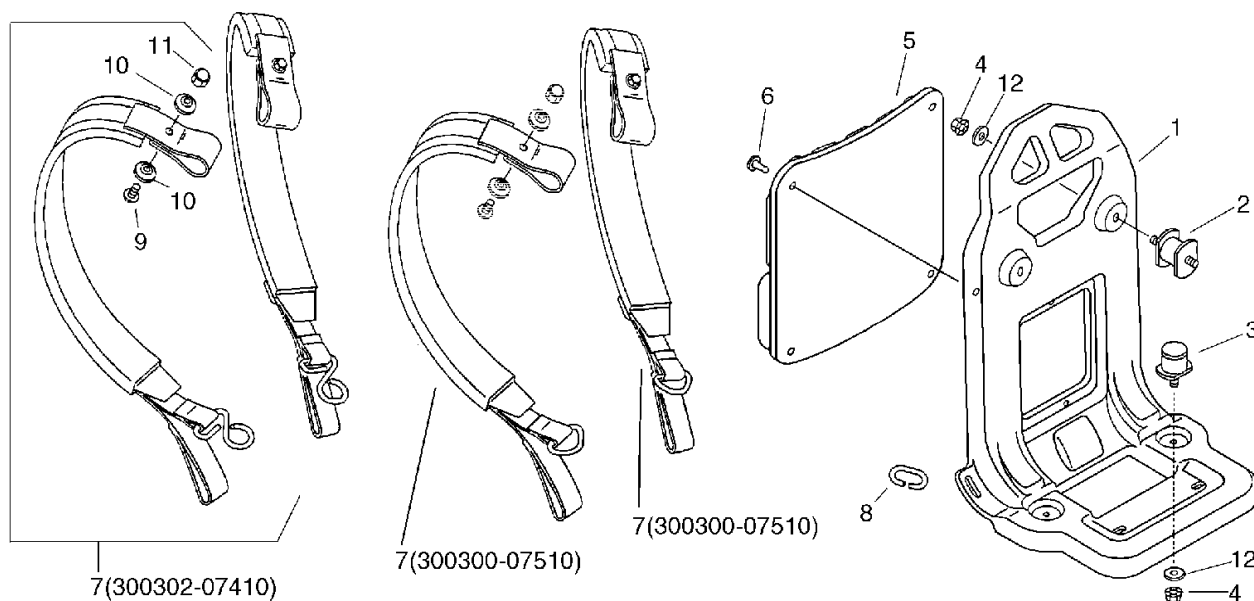
No.4



KEY	LV	PART NUMBER	Q'TY	DESCRIPTION	REMARKS	NOTE1	NOTE2
28		370301-06610	1	PIPE, DUST OUTLET		Sus. by 370613-07531	
28		370613-07531	1	PIPE, DUST OUTLET			
29		900504-00005	2	NUT 5B	5B		
30		200107-06610	1	CASE, FAN			
31		900286-05025	10	SCREW 5*25 SUS	5*25 SUS		
37		890098-06210	1	LABEL, CAUTION		Sus. by 890098-06211	
37		890098-06211	1	LABEL, CAUTION			

## 5. Harness

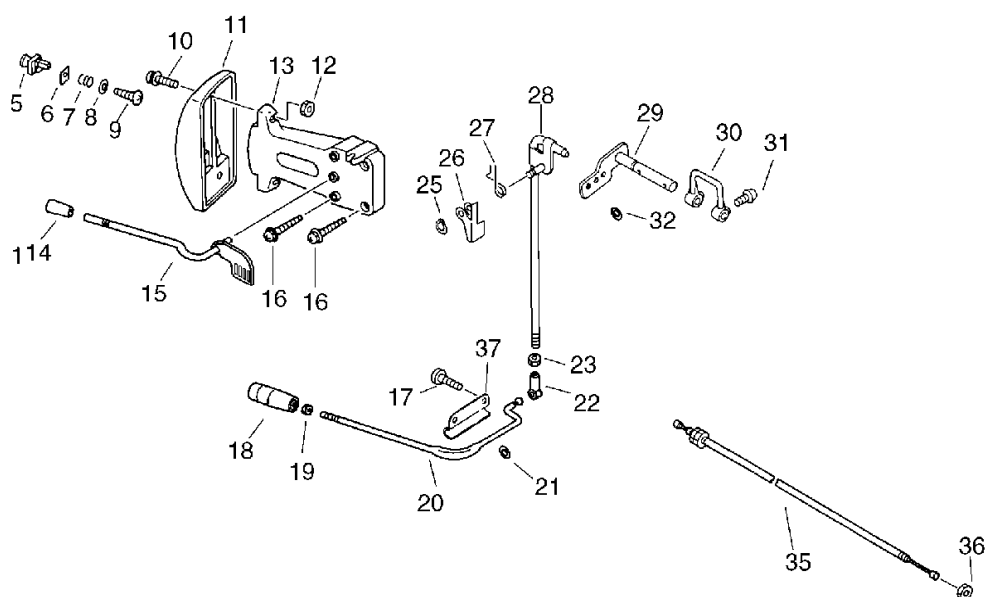
## No.5



KEY	LV	PART NUMBER	Q'TY	DESCRIPTION	REMARKS	NOTE1	NOTE2
1		300010-07410	1	FRAME, BACKPACK			
2		200910-07710	2	CUSHION			
3		200916-07710	2	CUSHION		Sus. by 200916-07610	
3		200916-07610	2	CUSHION			
4		250916-06210	4	NUT		Sus. by set of 900509-00006 and 145642-00760	
4		92136-06000	4	NUT FLANGE	M6	Sus. by set of 900509-00006 and 145642-00760	
4		900509-00006	4	NUT 6 SUS	6 SUS		
5		300111-14010	1	CUSHION, KNAPSACK			
6		300333-06160	4	CLIP			
7		300302-07410	2	HARNESS, W/PAD		Sr/Nr 013248 and before	
9	+	900216-05016	2	SCREW, 5*16	5*16		
10	+	300328-03210	4	WASHER, HARNESS			
11	+	900560-00005	2	NUT, LOCK 5	5		
7		300300-07510	2	HARNESS, KNAPSACK		Sr/Nr 013249 and after	
8		300318-07710	2	RING		Sr/Nr 013249 and after	
12		145642-00760	4	WASHER 6.5*18*1.6	6.5*18*1.6		

## 6. Control Lever

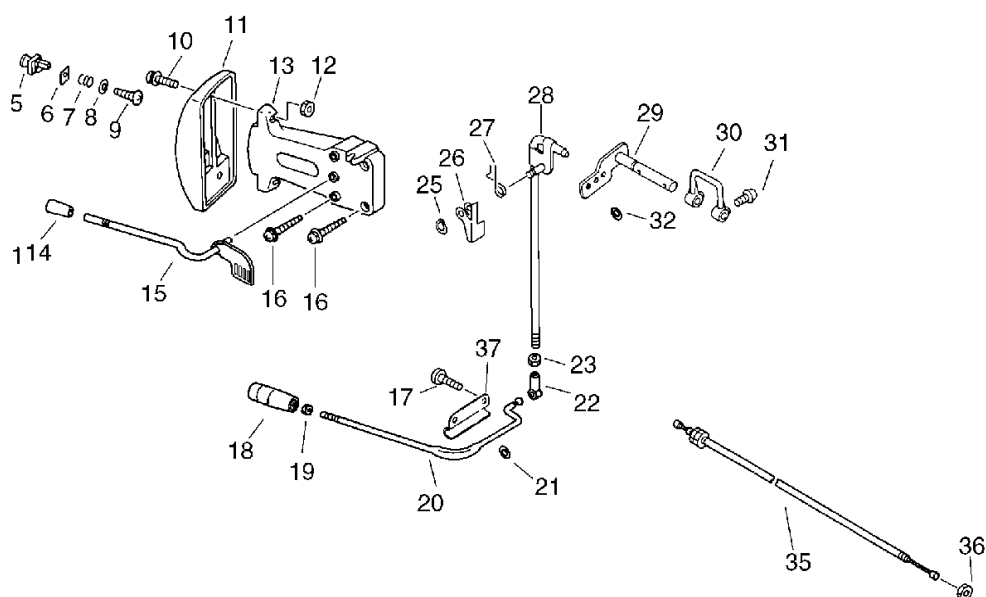
No.6



KEY	LV	PART NUMBER	Q'TY	DESCRIPTION	REMARKS	NOTE1	NOTE2
5		701027-06210	1	STOPPER, DIAL		Sus. by 701027-06212	
5		701027-06211	1	STOPPER, DIAL		Sus. by 701027-06212	
5		701027-06212	1	STOPPER, DIAL			
6		701114-06210	1	PLATE, EYE			
7		701016-06210	1	SPRING			
8		701017-06210	1	WASHER			
9		900296-04012	1	SCREW 4*12	4*12 SUS		
10		900292-05025	2	SCREW 5*25	5*25 SUS		
11		701111-06210	1	DIAL		Sus. by 701111-06211	
11		701111-06211	1	DIAL		Sus. by 701111-06212	
11		701111-06212	1	DIAL			
12		900504-00005	2	NUT 5B	5B		
13		701112-06210	1	BRACKET, DIAL			
14		701021-02910	1	KNOB, LEVER			
15		178005-06410	1	LEVER, THROTTLE		Sus. by 178005-07711	
15		178005-07710	1	LEVER, THROTTLE		Sus. by 178005-07711	
15		178005-07711	1	LEVER, THROTTLE			
16		900286-05025	4	SCREW 5*25 SUS	5*25 SUS		
17		900292-05014	2	SCREW 5*14	5*14 SUS		
18		701007-06610	1	KNOB, LEVER			

## 6. Control Lever

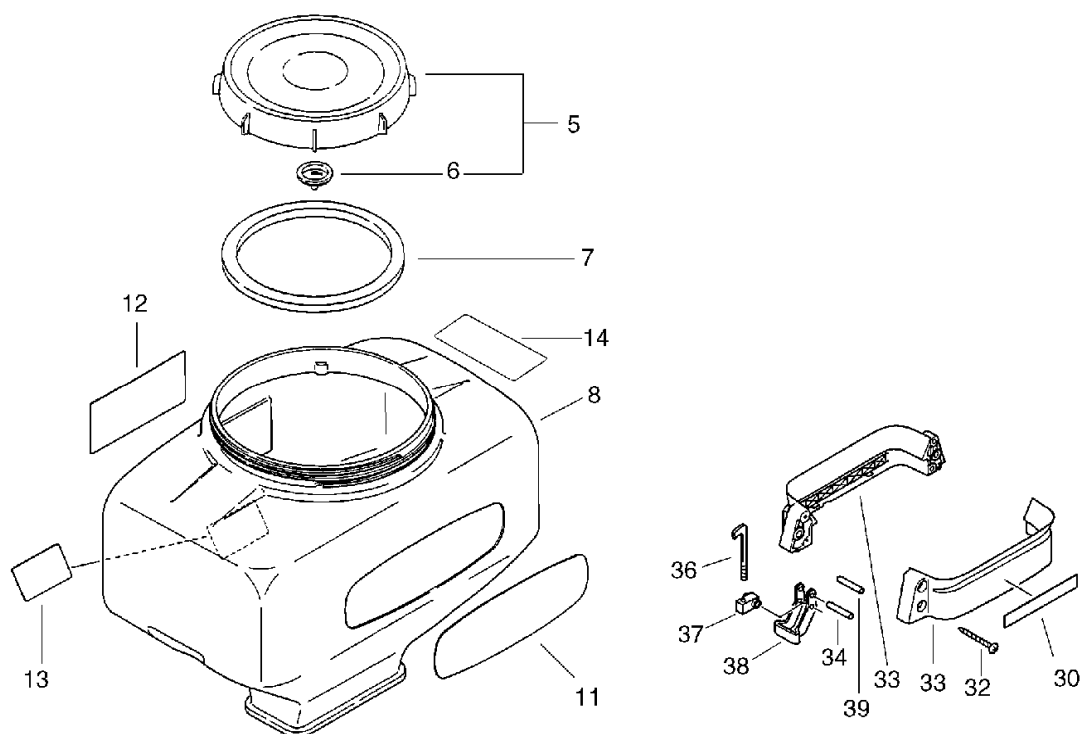
No.6



KEY	LV	PART NUMBER	Q'TY	DESCRIPTION	REMARKS	NOTE1	NOTE2
19		900502-00006	1	NUT 6 (3N)	3N6		
20		701010-06610	1	LEVER, CONTROL		Sus. by 701010-07710	
20		701010-07710	1	LEVER, METERING			
21		900600-00008	1	WASHER 8	8		
22		701020-05510	1	CONNECTOR			
23		900500-00005	1	NUT 5	5		
25		900703-00003	1	E-RING 3	CE-3 SUS		
26		701038-07210	1	PLATE, ANGLE			
27		701039-07210	1	SPRING			
28		701014-07710	1	ROD, SHUTTER			
29		270205-07311	1	SHAFT, SHUTTER			
30		270216-06210	1	ARM			
31		900292-04014	2	SCREW 4*14	4*14 SUS		
32		900720-00007	1	O-RING 7	P-7		
35		178001-05810	1	WIRE, THROTTLE			
36		900503-00006	1	NUT (3N 6*0.75)	3N 6*0.75		
37		701028-06210	1	HOLDER, STOPPER			

## 7. Chemical Tank

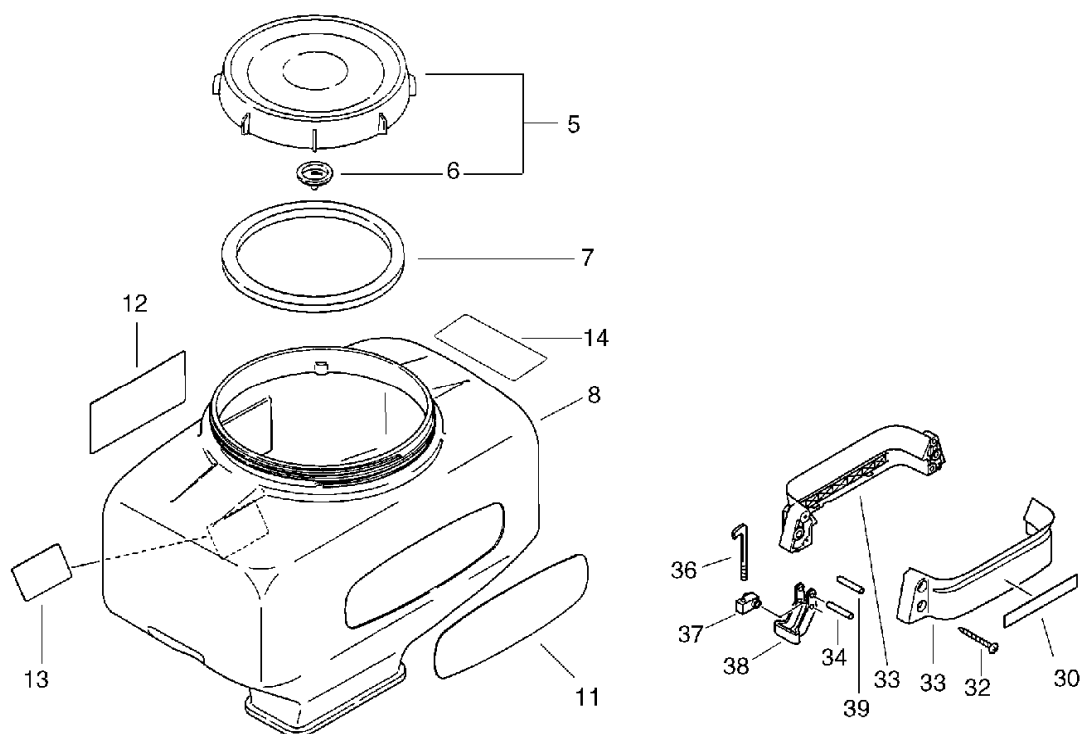
No.7



KEY	LV	PART NUMBER	Q'TY	DESCRIPTION	REMARKS	NOTE1	NOTE2
5		250001-05510	1	CAP, CHEMICAL TANK			
6	+	250013-00310	1	CAP, INSIDE			
7		250011-02011	1	PACKING			
8		250010-06410	1	TANK, CHEMICAL (23L)		Sus. by 250010-06412	
8		250010-06411	1	TANK, CHEMICAL (23L)		Sus. by 250010-06412	
8		250010-06412	1	TANK, CHEMICAL	23L		
11		890012-10510	1	LABEL, KIORITZ			
12		890081-07310	1	LABEL, CAUTION			
13		890016-07010	1	LABEL, CAUTION		Sus. by 890016-07011	
13		890016-07011	1	LABEL, CAUTION			
14		890016-06210	1	LABEL, CAUTION		Sus. by 890016-06213	
14		890016-06211	1	LABEL, CAUTION		Sus. by 890016-06213	
14		890016-06212	1	LABEL, CAUTION		Sus. by 890016-06213	
14		890016-06213	1	LABEL, CAUTION			
30		890034-07410	1	LABEL, MODEL		Sus. by 890034-07411	
30		890034-07411	1	LABEL, MODEL			
32		900286-05035	4	SCREW 5*35	5*35 SUS		
33		250910-06210	2	HOLDER, C. TANK			
34		900333-70380	2	PIN, STRAIGHT			

# 7. Chemical Tank

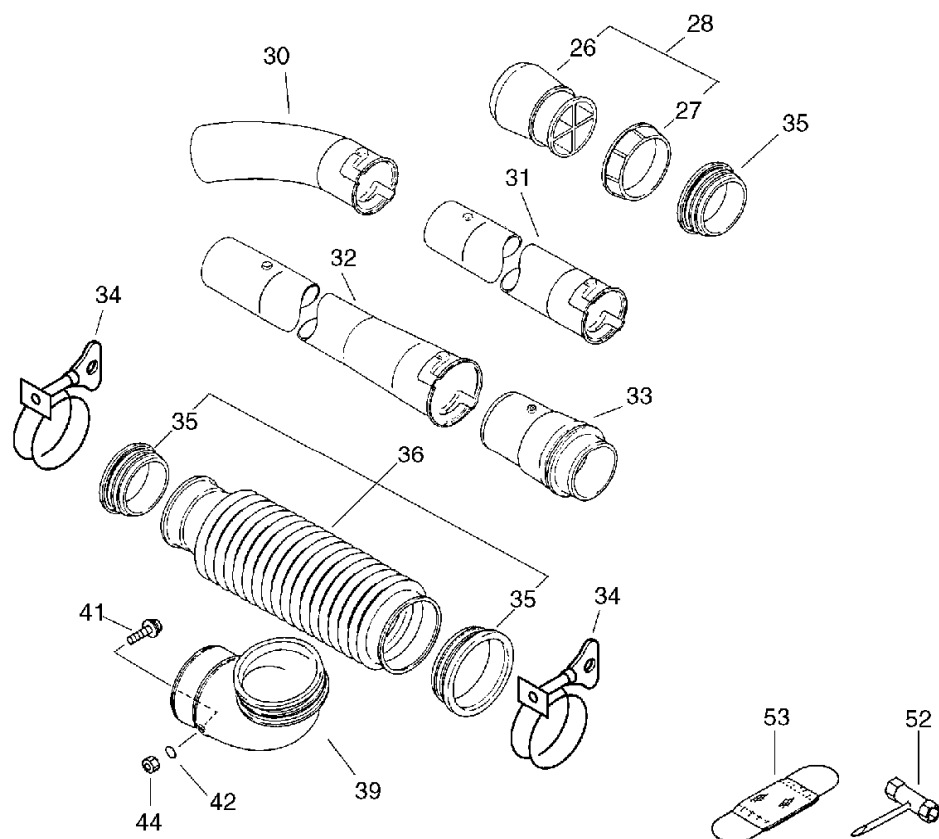
No.7



KEY	LV	PART NUMBER	Q'TY	DESCRIPTION	REMARKS	NOTE1	NOTE2
36		250915-06211	2	BOLT, TANK HOLDER			
37		250930-07510	2	CONNECTOR, BRACKET			
38		250932-06210	2	BRACKET, TANK			
39		250914-03210	2	PIN, TANK HOLDER			

## 8. Dust Blower, Tools

No.8

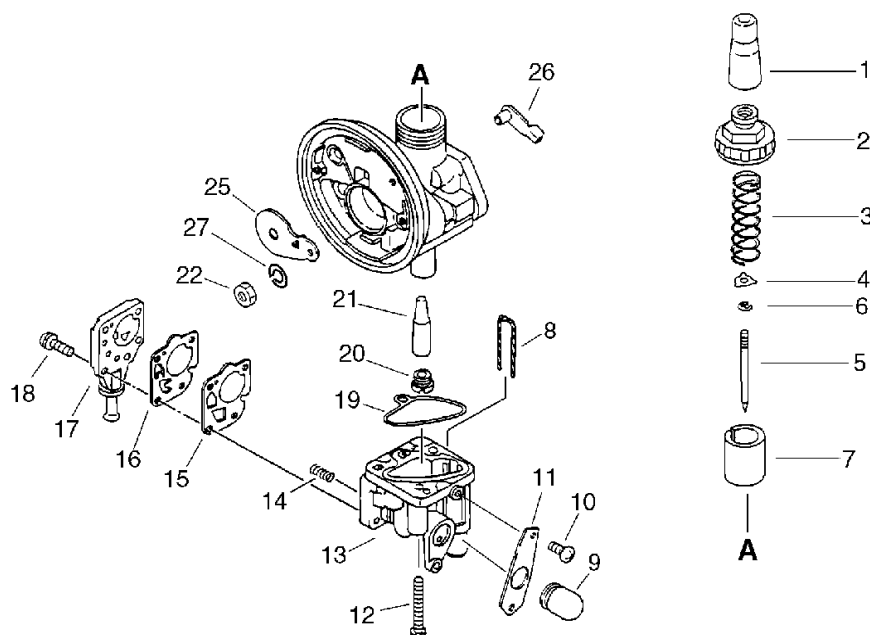


KEY	LV	PART NUMBER	Q'TY	DESCRIPTION	REMARKS	NOTE1	NOTE2
28		220105-01610	1	CONNECTER KIT			
26	+	220028-01611	1	CONNECTOR			
27	+	220033-01610	1	NUT, HOLLOW			
30		210023-05510	1	PIPE, CURVED			
31		210015-05510	1	PIPE, STRAIGHT			
32		210014-05510	1	PIPE, STRAIGHT			
33		210002-04110	1	PIPE, SWIVEL (BL)		Sus. by 210002-04111	
33		210002-04111	1	PIPE, SWIVEL	BL		
34		210407-01110	2	CLAMP, FLEXIBLE PIPE		Sus. by 210407-07710	
34		210407-07710	2	CLAMP			
35		210032-04110	1	PACKING, FLX. PIPE			
36		210012-01710	1	PIPE, FLX. W/GASKET			
35	+	210032-04110	2	PACKING, FLX. PIPE			
39		210011-02911	1	ELBOW, BLOWING			
41		900292-05018	1	SCREW 5*18	5*18 SUS		
42		900720-00004	1	O-RING (P-4)	P-4		
44		900504-00005	1	NUT 5B	5B		
52		895410-03930	1	WRENCH, W/S. DRIVER		Sus. by X602-000020	
52		X602-000020	1	TOOL, WRENCH	17*19 L200		
53		898544-01111	1	MASK			



# 9. Carburetor

## No.9



KEY	LV	PART NUMBER	Q'TY	DESCRIPTION	REMARKS	NOTE1	NOTE2
		124200-06610	1	CARBURETOR ASSY	K13PR-6G		
1	+	124174-11120	1	CAP			
2	+	124113-05910	1	COVER, TOP			
3	+	124114-11120	1	SPRING, THROTTLE			
4	+	124115-11120	1	SEAT, SPRING			
5	+	124117-06610	1	NEEDLE, JET			
6	+	124116-05530	1	E-RING			
7	+	124118-05910	1	VALVE, THROTTLE			
8	+	124182-05510	1	WIRE, DRAIN			
9	+	124381-05511	1	CAP			
10	+	900241-04008	2	SCREW 4*8	4*8		
11	+	124163-05510	1	PLATE			
12	+	900241-04030	2	SCREW 4*30 (W/SW)	4*30		
13	+	124124-05910	1	CHAMBER			
14	+	124367-21330	2	SPRING, COIL			
15	+	124363-21330	1	GASKET, PUMP DIAPH.			
16	+	124364-05510	1	DIAPHRAGM, FUEL PUMP			
17	+	124365-05510	1	COVER, PUMP			
18	+	900241-03010	4	SCREW 3*10 (W/SW)	3*10		
19	+	124123-05510	1	GASKET, CHAMBER			
20	+	124122-46630	1	JET, MAIN			
21	+	124162-05510	1	JET, NEEDLE			
22	+	124111-05810	1	NUT			
25	+	124143-06610	1	PLATE, CHOKE			
26	+	124142-05810	1	LEVER, CHOKE			
27	+	900605-00006	1	WASHER, SPRING 6	6		

**Index**

<b>Patrs Number</b>	<b>Key No.</b>	<b>Patrs Number</b>	<b>Key No.</b>	<b>Patrs Number</b>	<b>Key No.</b>
100000-10720	1 - 11	131003-05330	3 - 6	200105-06610	4 - 20
100011-01110	1 - 12	131004-06210	3 - 5	200107-06610	4 - 30
100012-12331	1 - 15	131005-06610	3 - 8	200910-07710	5 - 2
100013-03460	1 - 13	131005-06611	3 - 8	200916-07610	5 - 3
100015-00120	1 - 14	131005-06612	3 - 8	200916-07710	5 - 3
100100-06610	1 - 30	131005-06613	3 - 8	210002-04110	8 - 33
100204-08261	1 - 18	131016-21060	3 - 7	210002-04111	8 - 33
100213-00310	1 - 24	131205-05630	3 - 40	210011-02911	8 - 39
100215-03930	1 - 19	132001-05510	3 - 14	210012-01710	8 - 36
100242-10721	1 - 22	132010-05910	3 - 27	210014-05510	8 - 32
101010-10722	1 - 10	132010-06530	3 - 16	210015-05510	8 - 31
101011-05111	1 - 6	132010-35430	3 - 38	210023-05510	8 - 30
101514-06610	1 - 3	132012-06610	3 - 27	210032-04110	8 - 35
104016-06611	1 - 34	132013-05060	3 - 15	210032-04110	8 - 35
124111-05810	9 - 22	132013-14010	3 - 26	210035-06310	4 - 18
124113-05910	9 - 2	132013-26630	3 - 39	210407-01110	8 - 34
124114-11120	9 - 3	132115-12330	3 - 37	210407-07710	8 - 34
124115-11120	9 - 4	132221-07410	3 - 20	210425-04110	4 - 21
124116-05530	9 - 6	145510-06210	1 - 4	220028-01611	8 - 26
124117-06610	9 - 5	145510-06210	2 - 41	220033-01610	8 - 27
124118-05910	9 - 7	145510-06211	1 - 4	220105-01610	8 - 28
124122-46630	9 - 20	145510-06211	2 - 41	250001-05510	7 - 5
124123-05510	9 - 19	145610-06610	2 - 42	250010-06410	7 - 8
124124-05910	9 - 13	145642-00760	3 - 11	250010-06411	7 - 8
124142-05810	9 - 26	145642-00760	5 - 12	250010-06412	7 - 8
124143-06610	9 - 25	150112-00310	1 - 27	250011-02011	7 - 7
124162-05510	9 - 21	156601-06211	2 - 10	250013-00310	7 - 6
124163-05510	9 - 11	156611-04260	2 - 12	250110-06212	4 - 8
124174-11120	9 - 1	156800-06611	2 - 8	250910-06210	7 - 33
124182-05510	9 - 8	159010-00330	2 - 15	250914-03210	7 - 39
124200-06610	3 - 23	159011-03432	2 - 14	250915-06211	7 - 36
124200-06610	9 -	159012-03433	2 - 13	250916-06210	5 - 4
124363-21330	9 - 15	159129-08260	1 - 25	250930-07510	7 - 37
124364-05510	9 - 16	177200-06210	2 - 26	250932-06210	7 - 38
124365-05510	9 - 17	177202-06210	2 - 20	270010-06211	4 - 24
124367-21330	9 - 14	177214-40630	2 - 28	270015-06211	4 - 9
124381-05511	9 - 9	177215-11120	2 - 29	270018-06210	4 - 25
129011-05110	3 - 29	177218-40630	2 - 24	270110-06210	4 - 15
130010-06410	1 - 9	177220-11120	2 - 33	270112-06211	4 - 16
130016-06110	3 - 19	177226-11120	2 - 30	270119-06210	4 - 17
130016-06410	3 - 17	177227-42030	2 - 31	270122-06211	4 - 19
130017-06410	3 - 18	177228-11120	2 - 32	270145-06210	4 - 11
130307-04211	3 - 28	177234-40630	2 - 23	270153-06210	4 - 13
130310-02910	3 - 32	177236-40630	2 - 27	270205-07311	6 - 29
130311-03710	3 - 33	178001-05810	6 - 35	270216-06210	6 - 30
130313-03710	3 - 34	178005-06410	6 - 15	275100-06212	4 - 5
130317-03710	3 - 31	178005-07710	6 - 15	275123-05510	4 - 12
130319-03710	3 - 30	178005-07711	6 - 15	300010-07410	5 - 1
130320-05810	3 - 25	200010-06610	2 - 6	300111-14010	5 - 5

**Index**

<b>Patrs Number</b>	<b>Key No.</b>	<b>Patrs Number</b>	<b>Key No.</b>	<b>Patrs Number</b>	<b>Key No.</b>
300300-07510	5 - 7	900148-05035	2 - 7	900605-00010	2 - 4
300302-07410	5 - 7	900162-05020	1 - 5	900609-00005	4 - 22
300318-07710	5 - 8	900162-06020	2 - 43	900700-00004	2 - 21
300328-03210	5 - 10	900216-05016	5 - 9	900703-00003	6 - 25
300333-06160	5 - 6	900220-06014	3 - 9	900720-00004	4 - 6
357013-00210	3 - 26	900226-04010	4 - 10	900720-00004	8 - 42
370301-06610	4 - 28	900226-06015	3 - 9	900720-00007	6 - 32
370316-06210	4 - 27	900241-03010	9 - 18	900810-36202	1 - 23
370321-06210	4 - 26	900241-04008	9 - 10	91368-05055	3 - 24
370613-07531	4 - 28	900241-04030	9 - 12	92136-06000	5 - 4
701007-06610	6 - 18	900242-04012	3 - 13	X505-000860	3 - 44
701010-06610	6 - 20	900242-05014	2 - 44	X602-000020	8 - 52
701010-07710	6 - 20	900242-05018	1 - 26		
701014-07710	6 - 28	900242-05018	2 - 9		
701016-06210	6 - 7	900242-05040	1 - 20		
701017-06210	6 - 8	900242-05055	3 - 24		
701020-05510	6 - 22	900286-05025	4 - 31		
701021-02910	6 - 14	900286-05025	6 - 16		
701027-06210	6 - 5	900286-05035	7 - 32		
701027-06211	6 - 5	900292-04014	6 - 31		
701027-06212	6 - 5	900292-04018	2 - 35		
701028-06210	6 - 37	900292-05014	2 - 44		
701038-07210	6 - 26	900292-05014	6 - 17		
701039-07210	6 - 27	900292-05018	1 - 26		
701111-06210	6 - 11	900292-05018	2 - 9		
701111-06211	6 - 11	900292-05018	8 - 41		
701111-06212	6 - 11	900292-05020	1 - 35		
701112-06210	6 - 13	900292-05025	1 - 28		
701114-06210	6 - 6	900292-05025	6 - 10		
890012-10510	7 - 11	900295-04014	4 - 14		
890016-06210	7 - 14	900296-04012	6 - 9		
890016-06211	7 - 14	900323-03014	1 - 33		
890016-06212	7 - 14	900333-70380	7 - 34		
890016-06213	7 - 14	900500-00005	6 - 23		
890016-07010	7 - 13	900501-00010	2 - 3		
890016-07011	7 - 13	900502-00006	6 - 19		
890016-07310	3 - 44	900503-00006	6 - 36		
890026-00310	3 - 21	900504-00005	4 - 29		
890026-00311	3 - 21	900504-00005	6 - 12		
890034-07410	7 - 30	900504-00005	8 - 44		
890034-07411	7 - 30	900509-00006	5 - 4		
890053-00462	2 - 36	900539-00005	4 - 7		
890053-56330	2 - 36	900560-00005	5 - 11		
890081-07310	7 - 12	900600-00008	6 - 21		
890098-06210	4 - 37	900602-00010	2 - 5		
890098-06211	4 - 37	900603-00005	3 - 41		
890187-03710	3 - 35	900604-00005	4 - 23		
895410-03930	8 - 52	900605-00006	3 - 10		
898544-01111	8 - 53	900605-00006	9 - 27		

# YAMABIKO CORPORATION

7-2 SUEHIROCHO 1-CHOME, OHME, TOKYO 198-8760, JAPAN  
PHONE: 81-428-32-6118. FAX: 81-428-32-6145.

**ECHO**®



D421  
No.