



OPTIONAL ATTACHMENTS & ACCESSORIES

Accessories

99922203813	8" Ice Auger Cover
99922203814	10" Ice Auger Cover
99944900150	2" Earth Auger With Point
99944900160	3" Earth Auger With Point
99944900170	4" Earth Auger With Point
99944900180	6" Earth Auger With Point/Spring
99944900190	8" Earth Auger With Point/Spring
99944900200	10" Earth Auger With Point/Spring
99944900210	18" Extension Shaft - 7/8" Diameter
99944900220	12" Extension Shaft - 7/8" Diameter
99944900230	4" Earth Auger Replacement Blade
99944900240	6" Earth Auger Replacement Blade
99944900250	8" Earth Auger Replacement Blade
99944900260	10" Earth Auger Replacement Blade
99944900270	Replacement Point
99944900275	Ice Auger Replacement Point Kit
99944900280	8" Ice Auger Dual Blade
99944900290	10" Ice Auger Dual Blade
99944900300	8" Ice Auger Replacement Blade
99944900310	10" Ice Auger Replacement Blade

PARTS CATALOG

EA-410EU Earth Auger

42.7cc

SERIAL NUMBERS

EU S/N: S05636001001 - S05636999999



ECHO, INCORPORATED

400 Oakwood Road Lake Zurich, Illinois 60047 USA

WWW.ECHO-USA.COM

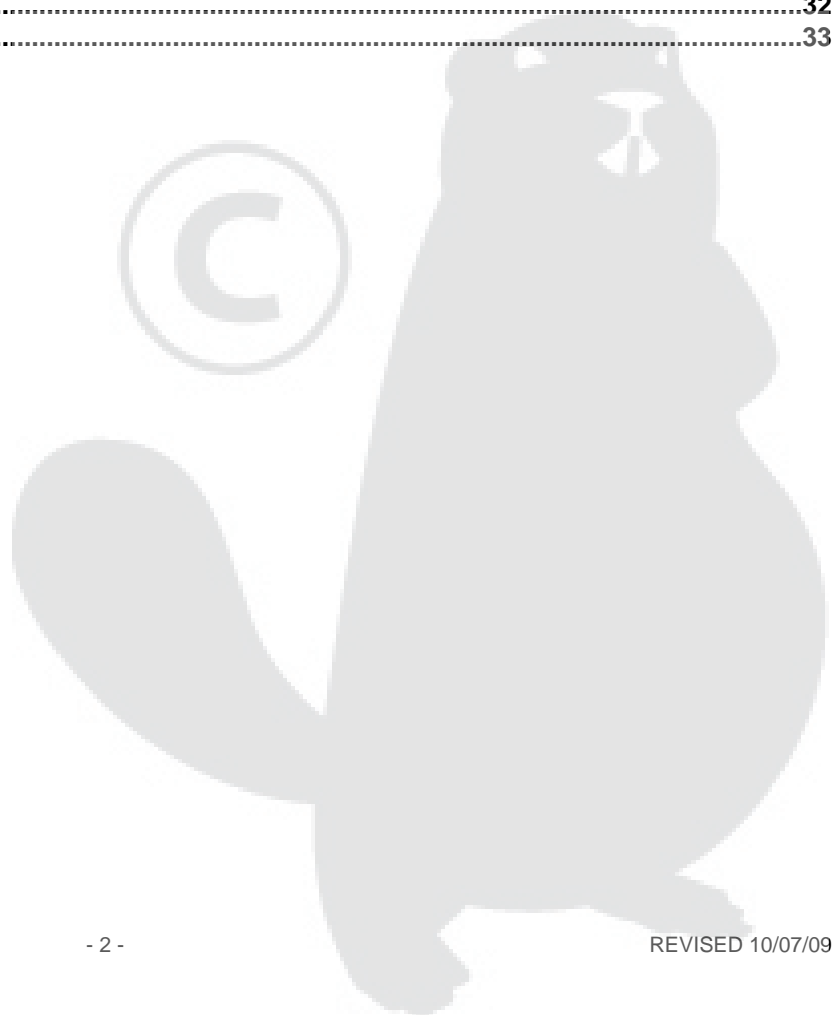


Table of Contents

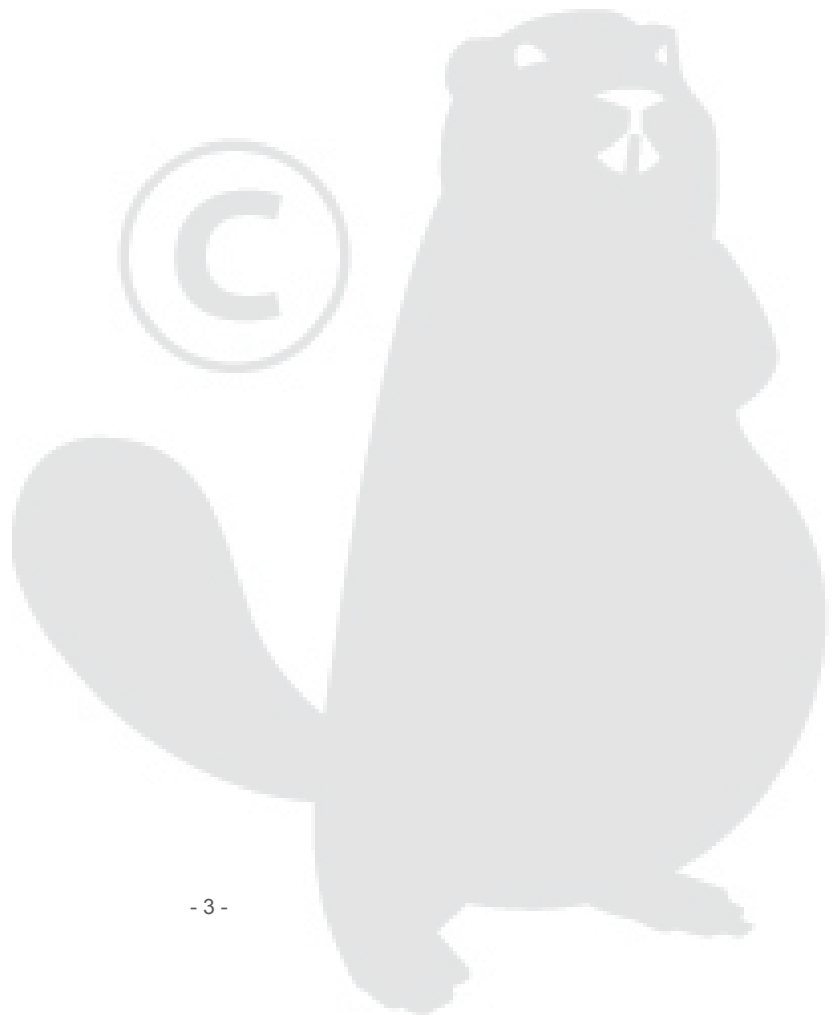
Click Any Diagram Description Below To View That Diagram.

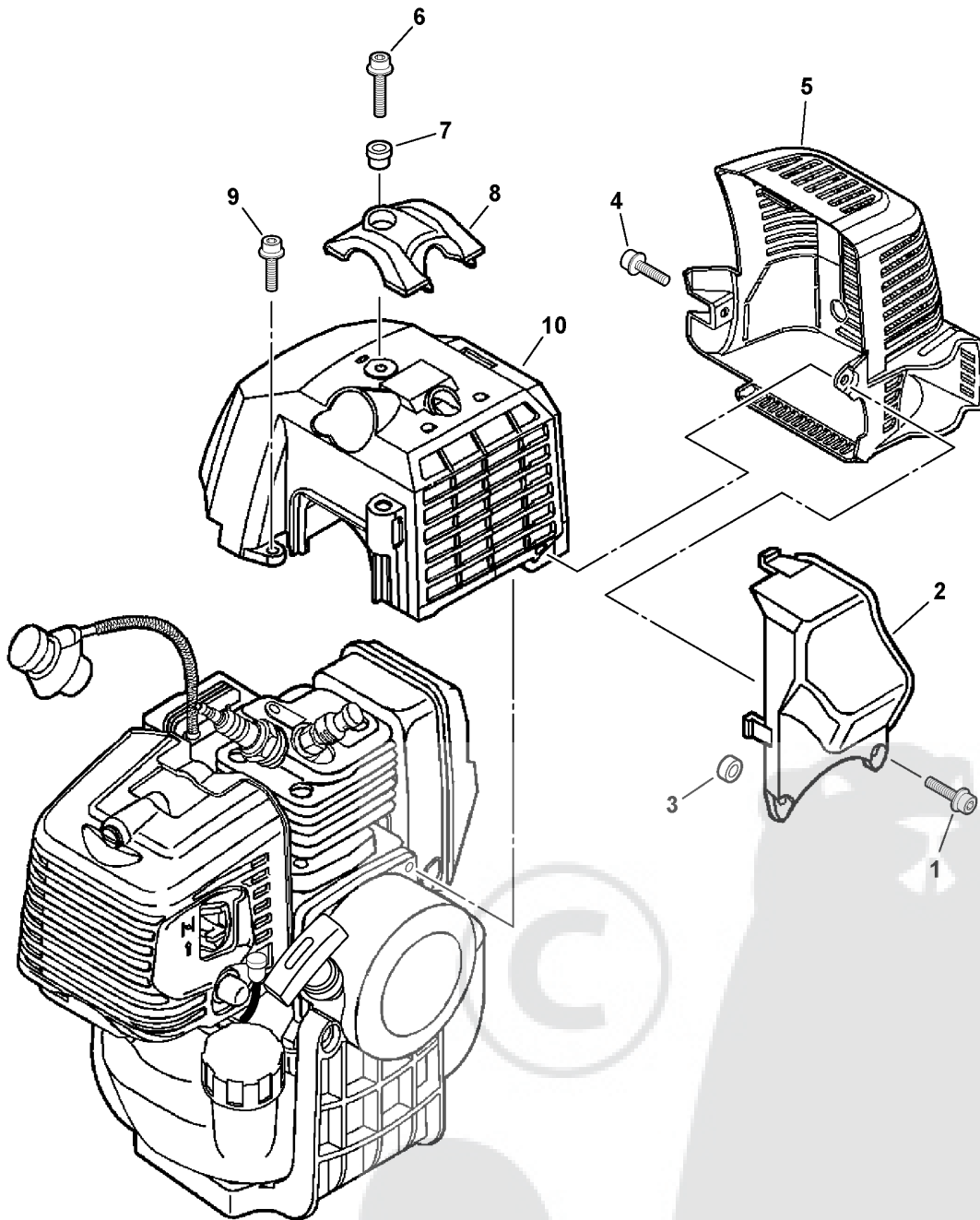
EA-410 EU S/N: S05636001001 - S05636999999

Engine Cover, Exhaust Cover, Exhaust Deflector.....	4
Intake.....	6
Carburetor -- WYK-226A.....	8
Exhaust.....	10
Fuel System, Starter.....	12
Fan Cover, Clutch.....	14
Ignition.....	16
Engine, Short Block - SB1097, Decompression Assembly.....	18
Throttle Control, Ignition Switch, Throttle Cable.....	20
Handlebar Assembly, Gearcase.....	22
Auger Bits.....	24
Labels.....	26
Gasket Kit -- P021003370.....	28
Tools.....	30
Part Number Index.....	32
Part Description Index.....	33



This Page Intentionally Left Blank

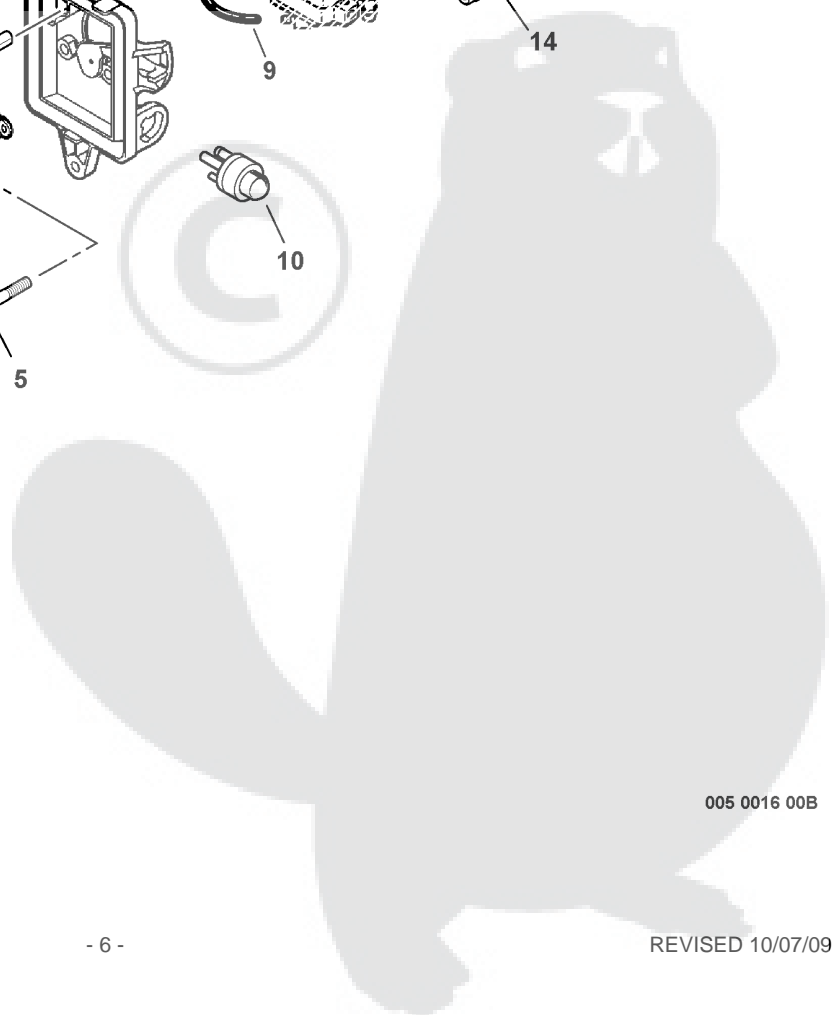
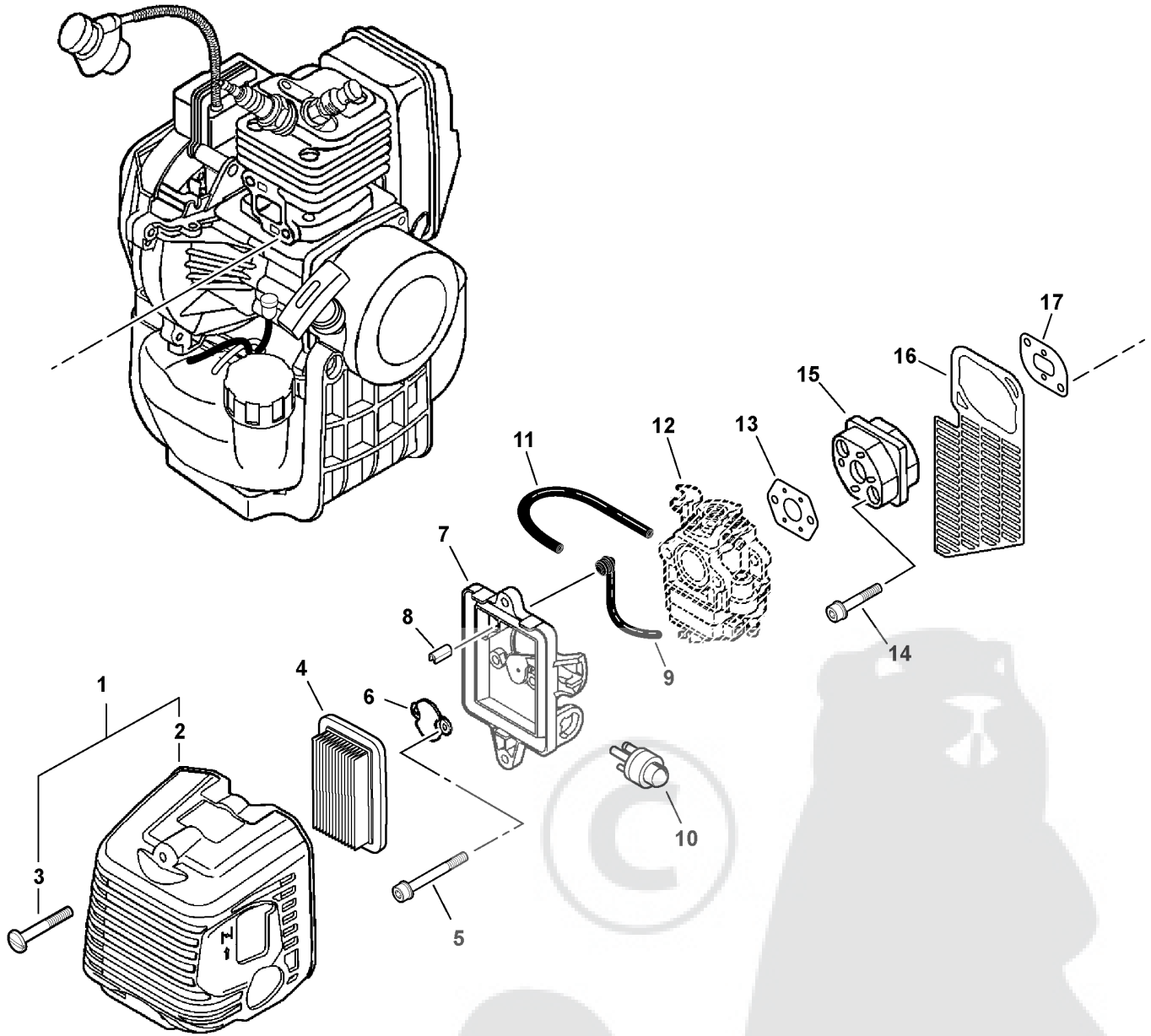




001 0007 00B

ITEM	PART NUMBER	QTY	DESCRIPTION	REMARKS
1	90010605025	2	SCREW 5X25	
2	A161000080	1	DEFLECTOR, EXHAUST	
3	V354000100	1	SPACER	
4	90010605012	1	SCREW 5X12	
5	A320000111	1	COVER, EXHAUST	
6	90010605020	1	SCREW 5X20	
7	V353000020	1	COLLAR 5	
8	A162000020	1	GUARD, TOP	
9	90010605012	1	SCREW 5X12	
10	A160000241	1	COVER, ENGINE - ORANGE	





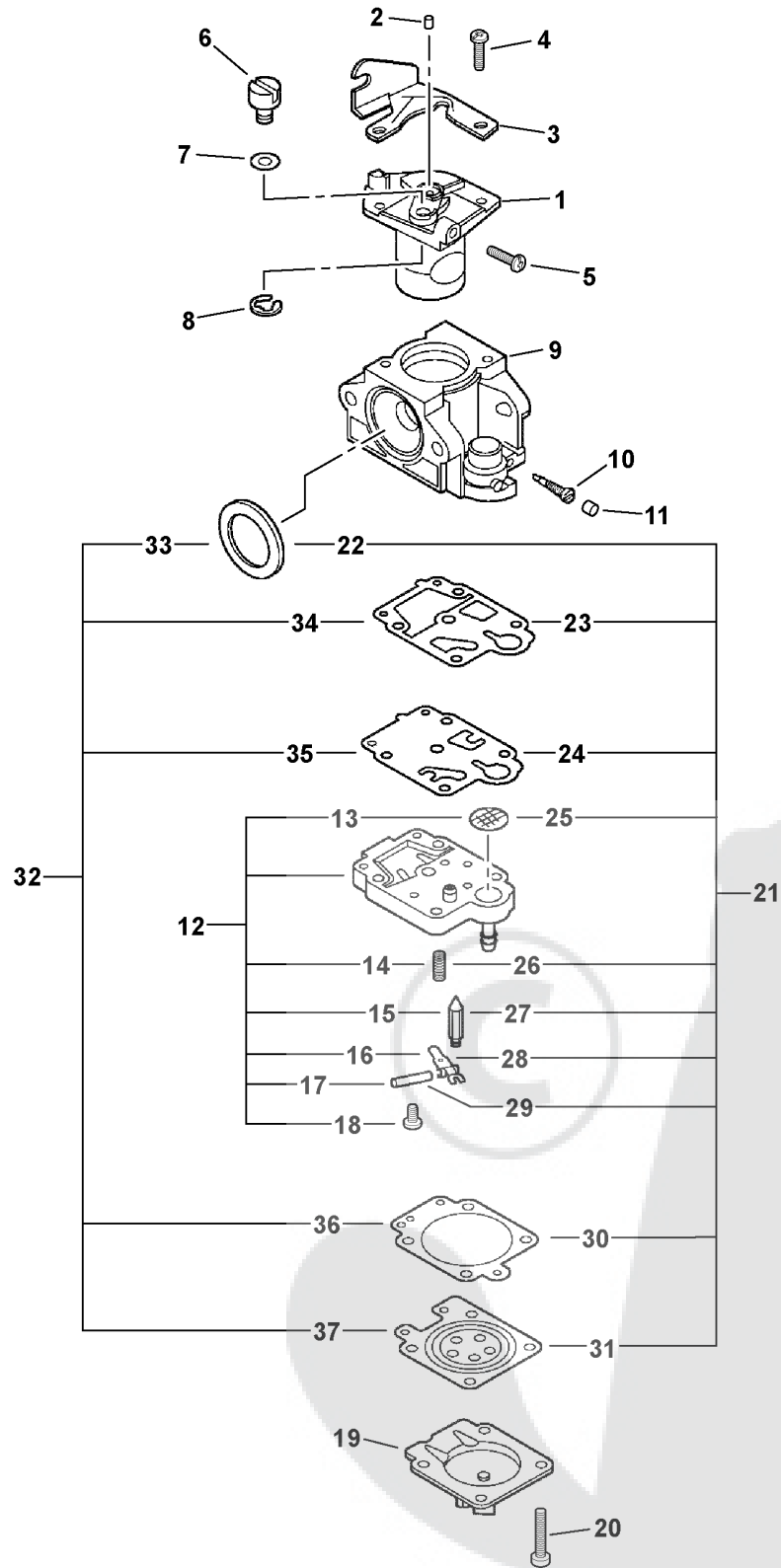
005 0016 00B

ITEM	PART NUMBER	QTY	DESCRIPTION	REMARKS
1	P021012110	1	AIR CLEANER COVER ASY	INCLUDES ITEMS 2-3
2	A232000390	1	COVER, AIR CLEANER	
3	V253000100	2	SCREW 5X20	
4	A226000360	1	FILTER, AIR	
5	90010505055	2	SCREW 5X55	
6	A244000010	1	PLATE, PREVENT	
7	P021009590	1	CASE, AIR CLEANER	
8	A239000050	1	INSERT	
9	13201239331	1	PIPE, VENT	
10	12318139130	1	PUMP, PURGE	
11	V471001560	1	PIPE, INTAKE - 3X5X80mm	REPOWER BULK OPTION: 90014
12	-----	1	CARBURETOR	See Carburetor Diagram For Additional Information
13	V103000080	1	GASKET, INTAKE ¹	
14	90010605025	2	SCREW 5X25	
15	A200000060	1	INSULATOR, INTAKE	
16	A128000060	1	SHIELD, DEBRIS	
17	V103000070	1	GASKET, INTAKE ¹	

Footnotes

1: Also Included In GASKET KIT

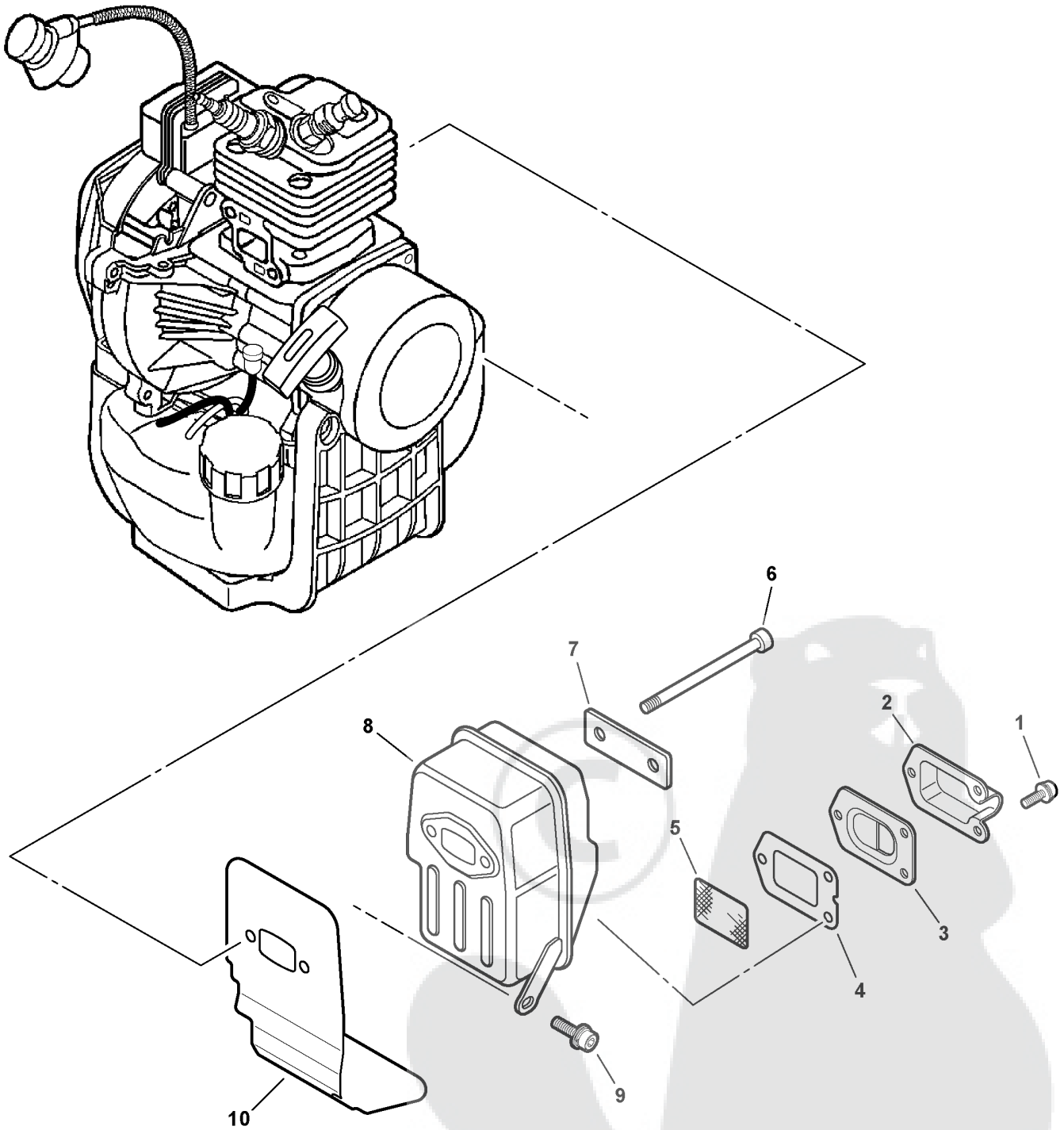




WYK226A 0000 000

ITEM	PART NUMBER	QTY	DESCRIPTION	REMARKS
	A021001171	1	CARBURETOR -- WYK-226A	
1	-----	1	THROTTLE VALVE ASY	NOT AVAILABLE SEPARATELY
2	A259000000	1	CAP, LIMITER	
3	P003000180	1	BRACKET, CABLE	
4	12311440630	2	SCREW, CABLE BRACKET	
5	12313440030	1	SCREW, IDLE ADJUST	
6	12317245130	1	SWIVEL	
7	12314954230	1	WASHER	
8	12317307930	1	CLIP, SWIVEL	
9	-----	1	BODY, CARBURETOR	NOT AVAILABLE SEPARATELY
10	P003001130	1	NEEDLE - HIGH SPEED	
11	A259000000	1	CAP, LIMITER	
12	P003001490	1	PUMP BODY ASY	INCLUDES ITEMS 12-18
13	-----	1	SCREEN, INLET	
14	-----	1	SPRING, METERING LEVER	
15	-----	1	VALVE, INLET NEEDLE	
16	-----	1	LEVER, METERING	
17	-----	1	PIN, METERING LEVER	
18	12313905560	1	SCREW, METERING LEVER PIN	
19	P003001500	1	COVER, PRIMER PUMP	
20	12314444330	4	SCREW, PUMP COVER	
21	P003000660	1	REPAIR KIT	INCLUDES ITEMS 22-31
22	-----	1	PACKING, RING	
23	-----	1	GASKET, PUMP	
24	-----	1	DIAPHRAGM, PUMP	
25	-----	1	SCREEN, INLET	
26	-----	1	SPRING, METERING LEVER	
27	-----	1	VALVE, INLET NEEDLE	
28	-----	1	LEVER, METERING	
29	-----	1	PIN, METERING LEVER	
30	-----	1	GASKET, METERING DIAPHRAGM	
31	-----	1	METERING, DIAPHRAGM	
32	P003000650	1	GASKET/DIAPHRAGM KIT	INCLUDES ITEMS 33-37
33	-----	1	PACKING, RING	
34	-----	1	GASKET, PUMP	
35	-----	1	DIAPHRAGM, PUMP	
36	-----	1	GASKET, METERING DIAPHRAGM	
37	-----	1	METERING, DIAPHRAGM	





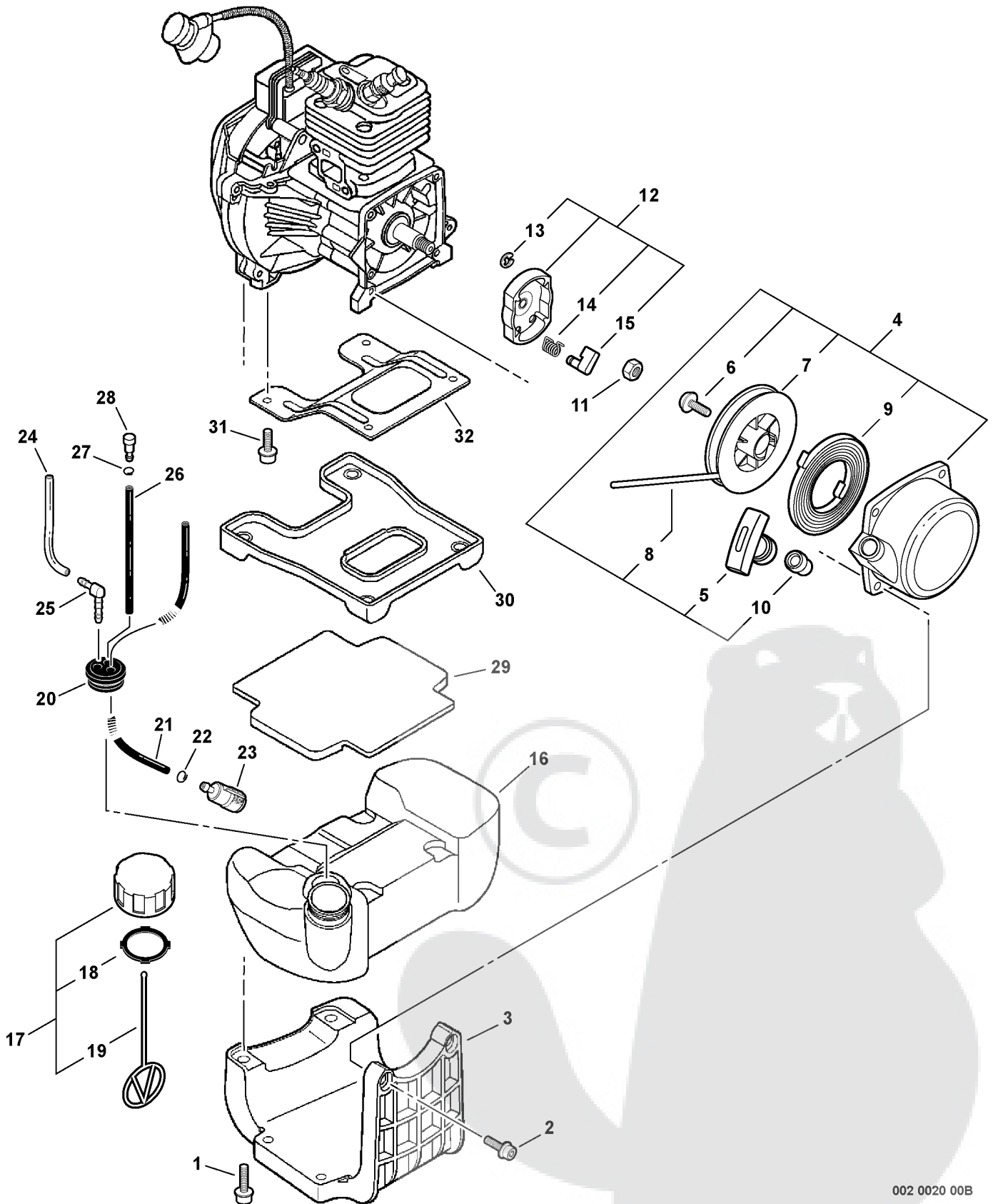
006 0038 00B

ITEM	PART NUMBER	QTY	DESCRIPTION	REMARKS
1	90024204010	3	SCREW 4X10	
2	A313000290	1	GUIDE, EXHAUST - OUTER	
3	A313000300	1	GUIDE, EXHAUST - INNER	
4	14586642031	1	GASKET, EXHAUST ¹	
5	14586240630	1	SCREEN, MUFFLER	
6	90010506060	2	SCREW 6X60	
7	V150000550	1	PLATE, EYE	
8	A300000231	1	MUFFLER	
9	90016205012	1	SCREW 5X12	
10	V104000241	1	SHIELD, EXHAUST ¹	

Footnotes

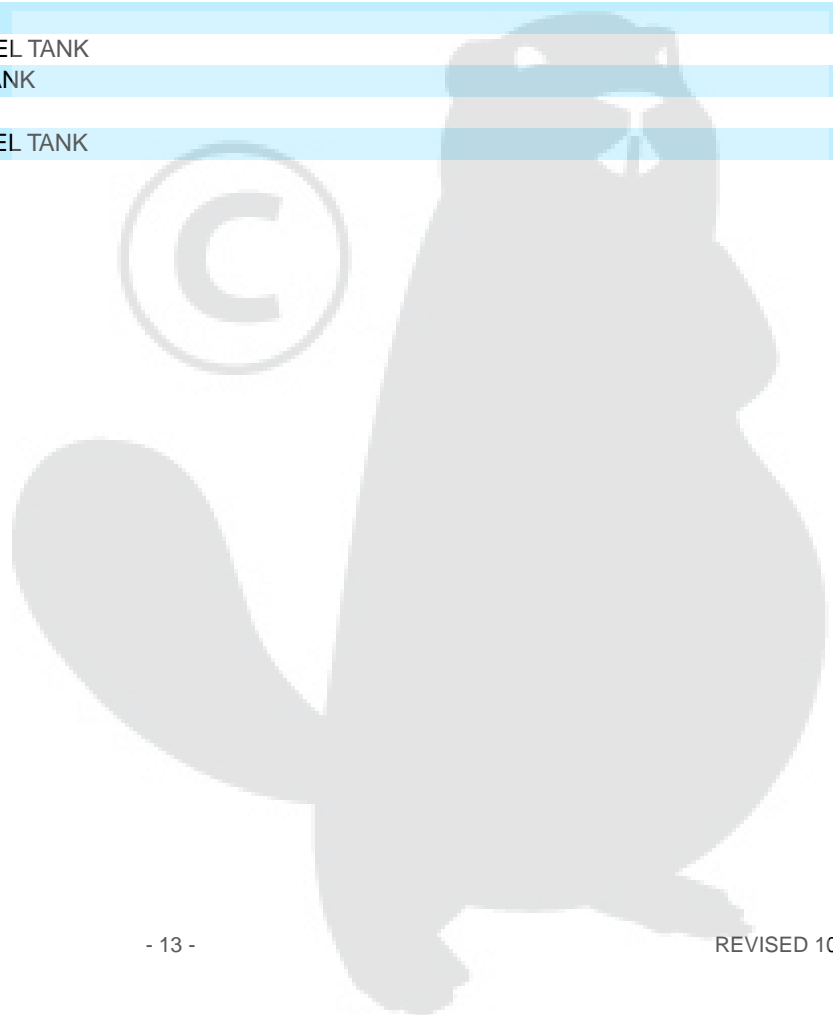
¹: Also Included In GASKET KIT

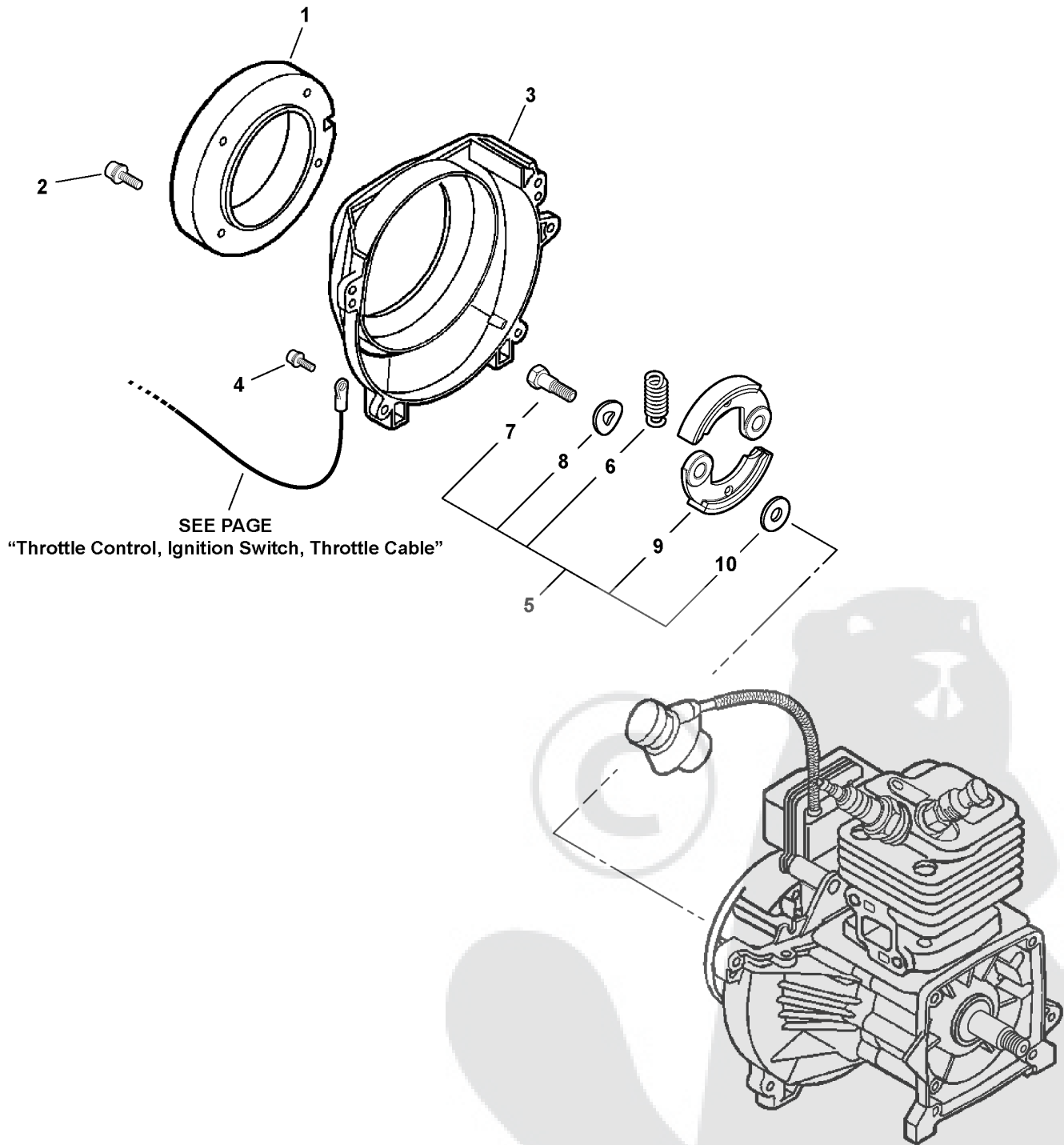




002 0020 00B

ITEM	PART NUMBER	QTY	DESCRIPTION	REMARKS
1	90010605020	2	SCREW 5X20	
2	90010605025	2	SCREW 5X25	
3	A393000050	1	BRACKET, FUEL TANK	
4	A051000190	1	STARTER ASY	INCLUDES ITEMS 5-10
5	17722827030	1	GRIP, STARTER	
6	17723606910	1	SCREW	
7	P022002080	1	SPOOL, STARTER ROPE	
8	17722606310	1	ROPE, STARTER - 3.5X 1000mm	REPOWER BULK OPTION: 99944445000
9	17722006310	1	SPRING, REWIND	
10	17722742030	1	GUIDE, ROPE	
11	90050200008	1	NUT 8	
12	A052000011	1	PAWL ASY	INCLUDES ITEMS 13-15
13	P022002100	1	E-RING	
14	17723440630	1	SPRING, RETURN	
15	17721840630	1	PAWL, STARTER	
16	A350000131	1	TANK, FUEL	
17	13100455530	1	CAP ASY	INCLUDES ITEMS 18-19
18	13101655830	1	GASKET, CAP	
19	13105156030	1	CONNECTOR, CAP	
20	13211555930	1	GROMMET, FUEL	
21	13201053630	1	PIPE, FUEL - 3X6X180mm	REPOWER BULK OPTION: 90015
22	13201326630	1	CLIP	
23	13120519831	1	FILTER, FUEL	
24	43721520760	1	PIPE, RETURN - 3X6X60mm	REPOWER BULK OPTION: 90017
25	V186000080	1	CONNECTOR	
26	13201202960	1	PIPE, VENT - 3X6X120mm	REPOWER BULK OPTION: 90015
27	13201326630	1	CLIP	
28	A356000030	1	VENT ASY	
29	A390000010	1	CUSHION, FUEL TANK	
30	A390000000	1	SEAT, FUEL TANK	
31	90010605012	4	SCREW 5X12	
32	A393000030	1	BRACKET, FUEL TANK	

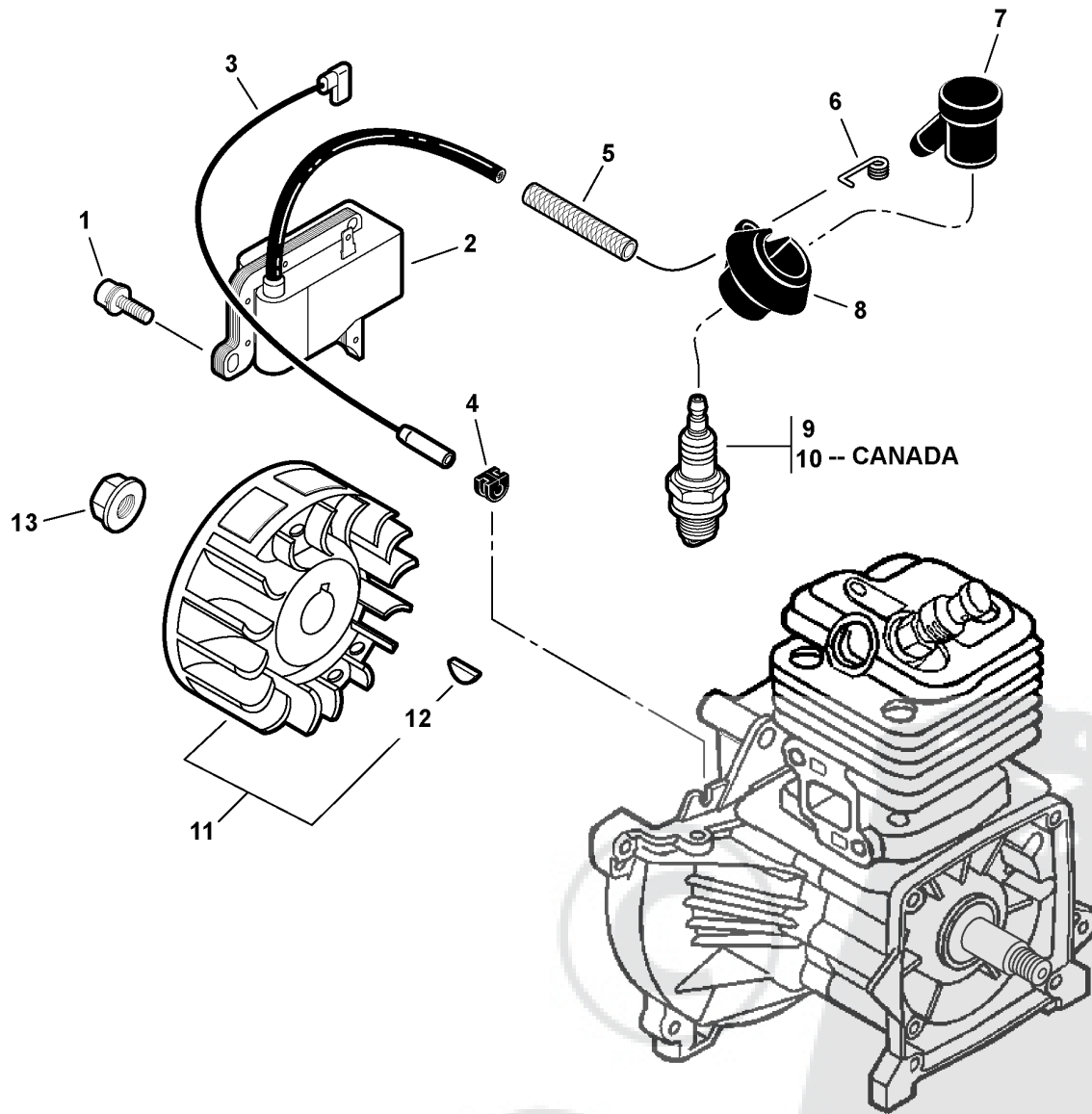




003 0015 00B

ITEM	PART NUMBER	QTY	DESCRIPTION	REMARKS
1	A551000041	1	PLATE, CLUTCH	
2	90016205020	4	SCREW 5X20	
3	A172000230	1	COVER, FAN	
4	90016205020	4	SCREW 5X20	
5	P021002481	1	CLUTCH ASY	INCLUDES ITEMS 6-10
6	V451000480	1	SPRING, CLUTCH	
7	A557000000	2	BOLT, CLUTCH	
8	V346000000	2	WAVE WASHER	
9	A553000030	2	SHOE, CLUTCH	
10	17504903920	2	WASHER	

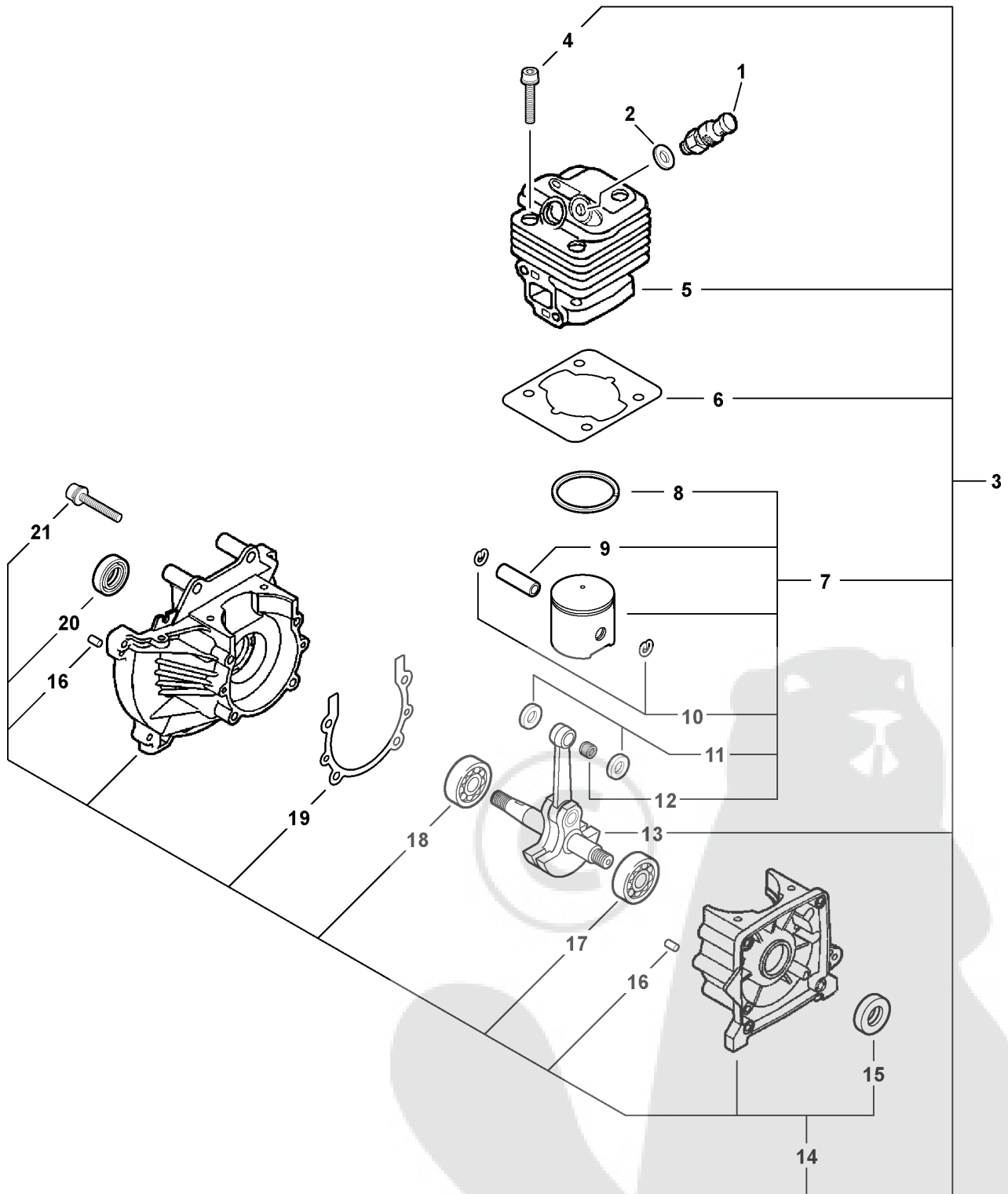




007 0037 00B

ITEM	PART NUMBER	QTY	DESCRIPTION	REMARKS
1	90016205020	2	SCREW 5X20	
2	A411000050	1	COIL, IGNITION	
3	16201055630	1	LEAD, GROUND	
4	15611404920	1	GROMMET	
5	V475001610	1	TUBE, INSULATOR	
6	A426000000	1	TERMINAL, SPARK PLUG CAP	
7	A427000000	1	CAP, SPARK PLUG	
8	V141000020	1	COVER, DUST	
9	15901010630	1	SPARK PLUG -- BPM-7A	
10	15901010230	1	SPARK PLUG -- BPMR-7A	CANADA MODELS
11	P021005911	1	FLYWHEEL KIT	INCLUDES ITEM 12
12	90032303014	1	WOODRUFF KEY	
13	90051900010	1	FLANGE NUT 10	

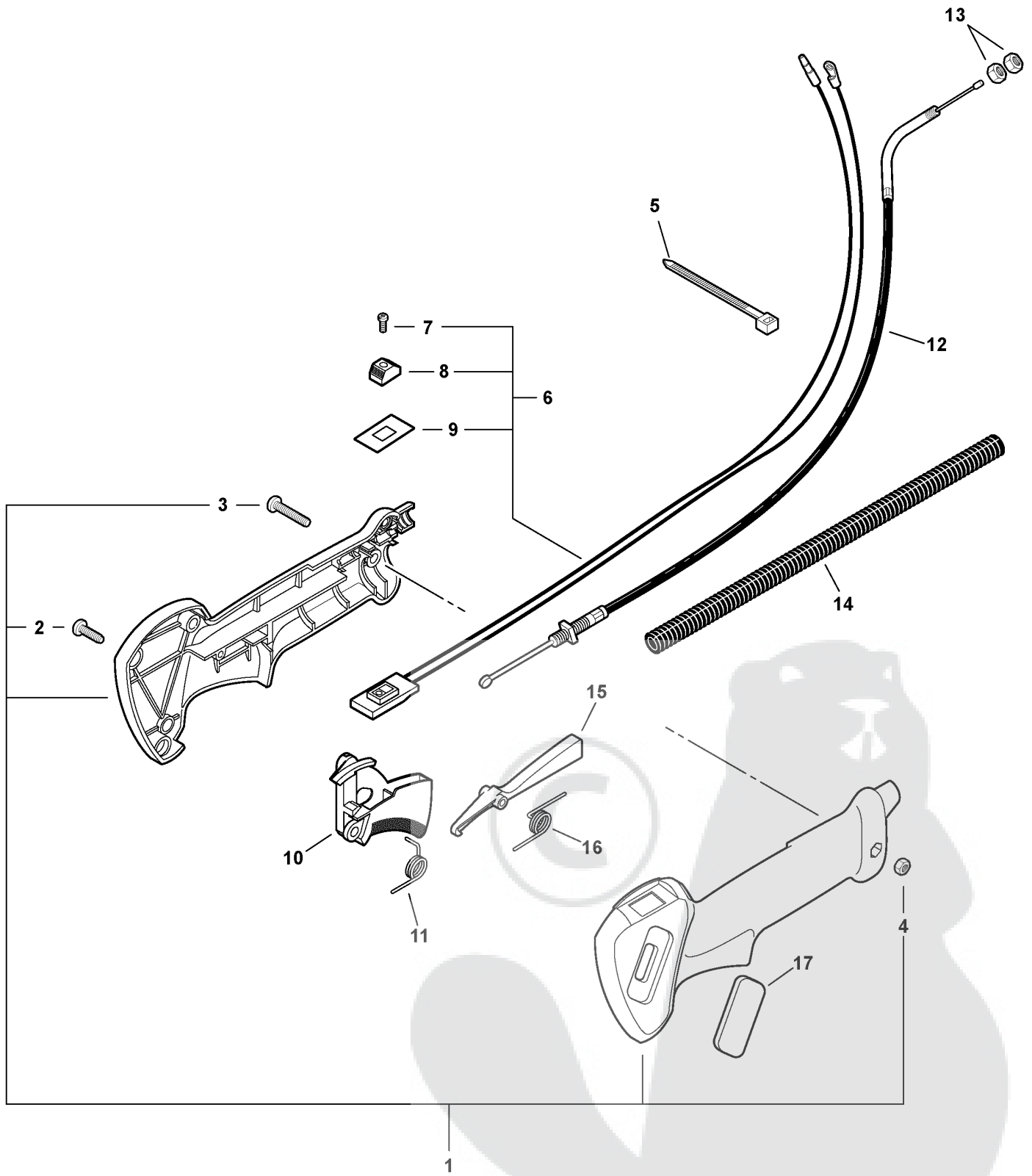




SB1097 0000 000

ITEM	PART NUMBER	QTY	DESCRIPTION	REMARKS
1	A014000000	1	DECOMPRESSION ASY	
2	15902537530	1	WASHER	
3	SB1097	1	SHORT BLOCK	INCLUDES ITEMS 4-21
4	90016205020	4	SCREW 5X20	
5	A130000880	1	CYLINDER	
6	V100000040	1	GASKET, CYLINDER	
7	P021014260	1	PISTON KIT	INCLUDES ITEMS 8-12
8	10001110530	1	RING, PISTON	
9	V608000000	1	PIN, PISTON	
10	V580000010	2	CIRCLIP, PISTON PIN	
11	V307000060	2	WASHER 10	
12	10001212331	1	BEARING, NEEDLE	
13	A011000120	1	CRANKSHAFT ASY	
14	P021002471	1	CRANKCASE KIT	INCLUDES ITEMS 15-21
15	10021305530	1	OIL SEAL	
16	10021503930	4	DOWEL PIN - 4X7.8mm	
17	9403536201	1	BEARING, BALL - 6201	
18	90081036202	1	BEARING, BALL	
19	V102000001	1	GASKET, CRANKCASE	
20	10021300310	1	OIL SEAL	
21	90016205035	4	SCREW 5X35	

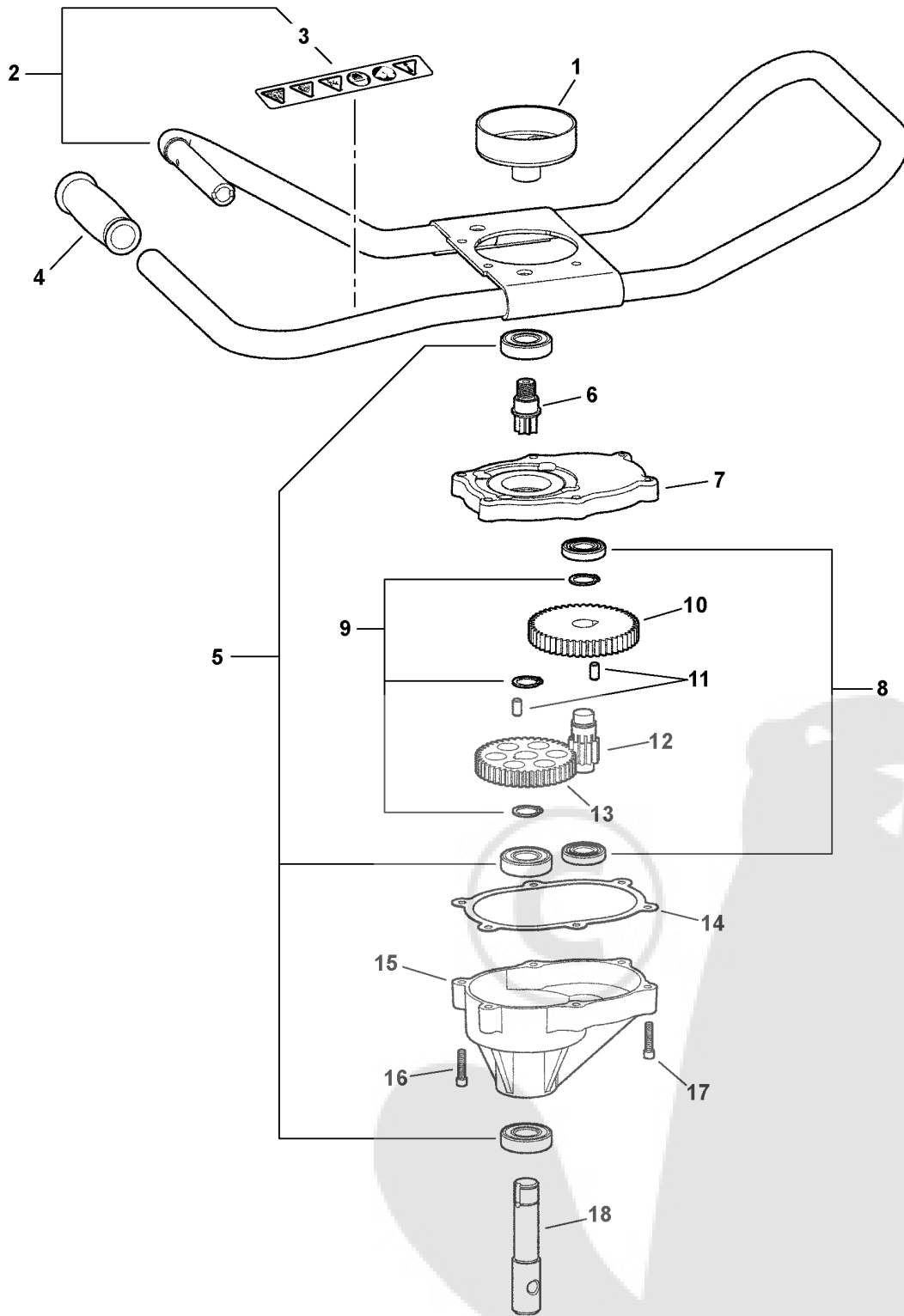




030 0043 000

ITEM	PART NUMBER	QTY	DESCRIPTION	REMARKS
1	P021002612	1	HANDLE GRIP ASY	INCLUDES ITEMS 2-4
2	90025304016	3	SCREW 4X16 - TAPPING	
3	90023505030	1	SCREW 5X30	
4	90050000005	1	NUT 5	
5	17812110050	1	TIE STRAP	
6	A440000381	1	IGNITION SWITCH KIT	INCLUDES ITEMS 7-9
7	9154503010	1	SCREW 3X10	
8	16341049231	1	KNOB, SWITCH - ORANGE	
9	89015712330	1	COVER, SWITCH	
10	C450000022	1	TRIGGER, THROTTLE	
11	V452000050	1	SPRING, THROTTLE TRIGGER	
12	V430000490	1	CABLE, THROTTLE	
13	90050200006	2	NUT 6	
14	V475003060	1	COVER - CORRUGATED -- 7X10X370mm	
15	C460000011	1	LOCKOUT, THROTTLE	
16	V452000060	1	SPRING, THROTTLE LOCK	
17	V162000130	1	COVER	

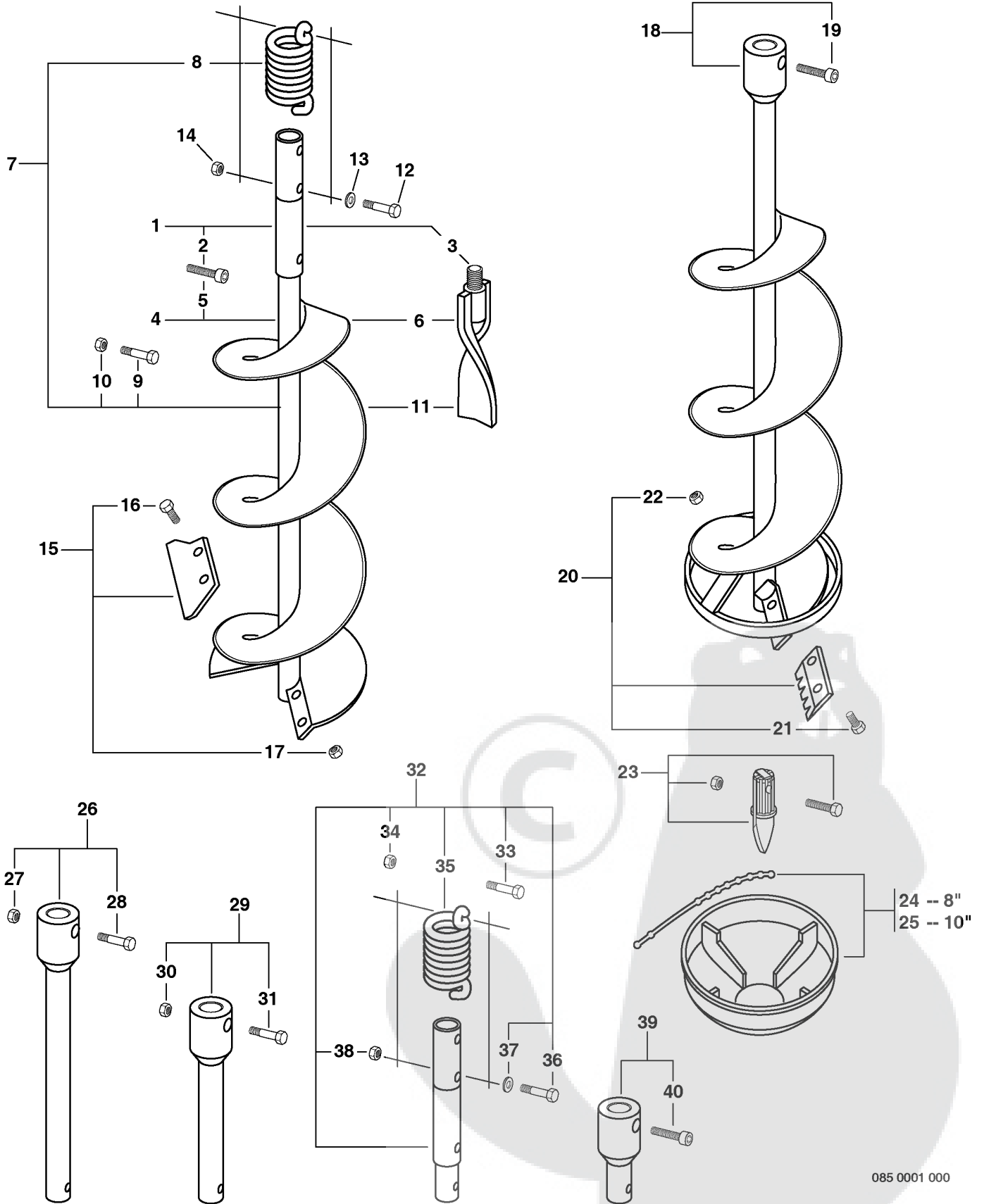




086 0002 000

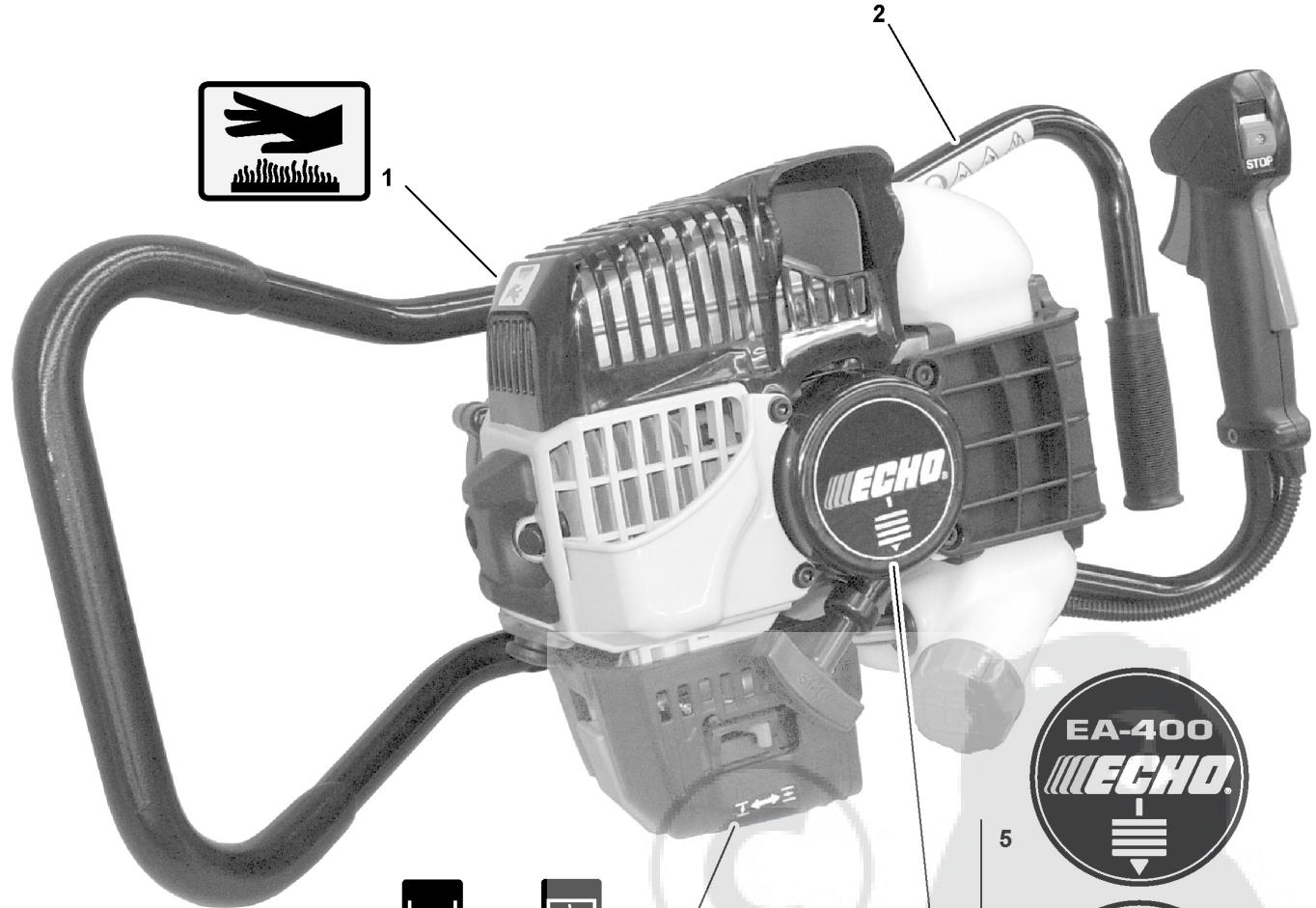
ITEM	PART NUMBER	QTY	DESCRIPTION	REMARKS
1	A556000490	1	DRUM, CLUTCH	
2	C080000001	1	HANDLE BAR ASY	INCLUDES ITEM 3
3	X505000920	1	LABEL, CAUTION	
4	C403000050	1	GRIP, HANDLE	
5	V713000000	3	BEARING, BALL	
6	C534000141	1	SHAFT, GEAR - 7 TOOTH	
7	C531000150	1	GEARCASE - UPPER	
8	V712000000	2	BEARING, BALL	
9	V582000000	3	CIRCLIP	
10	V650000090	1	GEAR, SPUR - 48 TOOTH	
11	V624000020	2	DOWEL PIN - 0.25x0.50 in	
12	C534000150	1	SHAFT, GEAR - 10 TOOTH	
13	V650000100	1	GEAR, SPUR - 44 TOOTH	
14	V110000020	1	GASKET, GEAR CASE	
15	C531000160	1	GEARCASE - LOWER	
16	9507017200	4	BOLT 1/4-20 X 2	
17	9507017150	2	BOLT 1/4-20 X 1-1/2	
18	C504000120	1	DRIVESHAFT	





085 0001 000

ITEM	PART NUMBER	QTY	DESCRIPTION	REMARKS
1	99944900150	1	EARTH AUGER W/POINT - 2"	INCLUDES ITEMS 2-3
1	99944900160	1	EARTH AUGER W/POINT - 3"	INCLUDES ITEMS 2-3
2	9507121125	1	SCREW - 3/8 X 16 X 1-1/4"	
3	99944900370	1	EARTH AUGER REPLACEMENT POINT	1 INCH WIDTH
4	99944900170	1	EARTH AUGER W/POINT - 4"	INCLUDES ITEMS 5-6
5	9507121125	1	SCREW - 3/8 X 16 X 1-1/4"	
6	99944900270	1	EARTH AUGER REPLACEMENT POINT	2 INCH WIDTH
7	99944900180	1	EARTH AUGER W/POINT & SPRING- 6"	INCLUDES ITEMS 8-11
7	99944900190	1	EARTH AUGER W/POINT & SPRING- 8"	INCLUDES ITEMS 8-11
7	99944900200	1	EARTH AUGER W/POINT & SPRING-10"	INCLUDES ITEMS 8-11
8	V451000460	1	SPRING, SHOCK ABSORBING	
9	-----	1	BOLT - 3/8 X 16 X 1-1/2" -- GRADE 5	
10	-----	1	LOCKNUT - 3/8" X 16	
11	99944900270	1	EARTH AUGER REPLACEMENT POINT	
12	-----	2	BOLT - 5/16 X 18 X 2"	
13	-----	2	WASHER - 5/16"	
14	-----	2	LOCKNUT - 5/16" X 18	
15	99944900230	1	EARTH AUGER BLADE KIT - 4"	INCLUDES ITEMS 16-17
15	99944900240	1	EARTH AUGER BLADE KIT - 6"	INCLUDES ITEMS 16-17
15	99944900250	1	EARTH AUGER BLADE KIT - 8"	INCLUDES ITEMS 16-17
15	99944900260	1	EARTH AUGER BLADE KIT - 10"	INCLUDES ITEMS 16-17
16	-----	2	BOLT - 1/4" X 28 X 5/8"	
17	-----	2	NUT - 1/4" X 28	
18	99944900280	1	ICE AUGER DUAL BLADE - 8"	INCLUDES ITEM 19
18	99944900290	1	ICE AUGER DUAL BLADE - 10"	INCLUDES ITEM 19
19	9507121125	1	SCREW - 3/8 X 16 X 1-1/4"	
20	99944900300	1	ICE AUGER DUAL BLADE KIT - 8"	INCLUDES ITEMS 21-22
20	99944900310	1	ICE AUGER DUAL BLADE KIT - 10"	INCLUDES ITEMS 21-22
21	-----	4	SCREW - 5 X 0.8 X 16mm	
22	-----	4	LOCKNUT - 5 X 0.8 (NYLOCK)	
23	99944900275	1	ICE AUGER REPLACEMENT POINT KIT	
24	99922203813	1	ICE AUGER COVER - 8"	
25	99922203814	1	ICE AUGER COVER - 10"	
26	99944900210	1	EXTENSION SHAFT - 18" (7/8" DIA)	INCLUDES ITEMS 27-28
27	-----	1	LOCKNUT - 3/8" X 16	
28	-----	1	BOLT - 3/8 X 16 X 1-1/2"	
29	99944900220	1	EXTENSION SHAFT - 12" (7/8" DIA)	INCLUDES ITEMS 30-31
30	-----	1	LOCKNUT - 3/8 X 16"	
31	-----	1	BOLT - 3/8 X 16 X 1-1/2"	
32	99944900335	1	ADAPTOR W/SPRING - 7/8" TO 1"	INCLUDES ITEMS 34-38
33	-----	1	BOLT - 3/8 X 16 X 1-1/2" -- GRADE 5	
34	-----	1	LOCKNUT - 3/8 X 16"	
35	V451000460	1	SPRING, SHOCK ABSORBING	
36	-----	2	BOLT - 5/16 X 18 X 2"	
37	-----	2	WASHER - 5/16"	
38	-----	2	LOCKNUT - 5/16" X 18	
39	99944900330	1	ADAPTOR - 7/8" TO 1"	INCLUDES ITEM 40
40	9507121125	1	SCREW - 3/8 X 16 X 1-1/4"	



1

2



4 CANADA



3



5



6



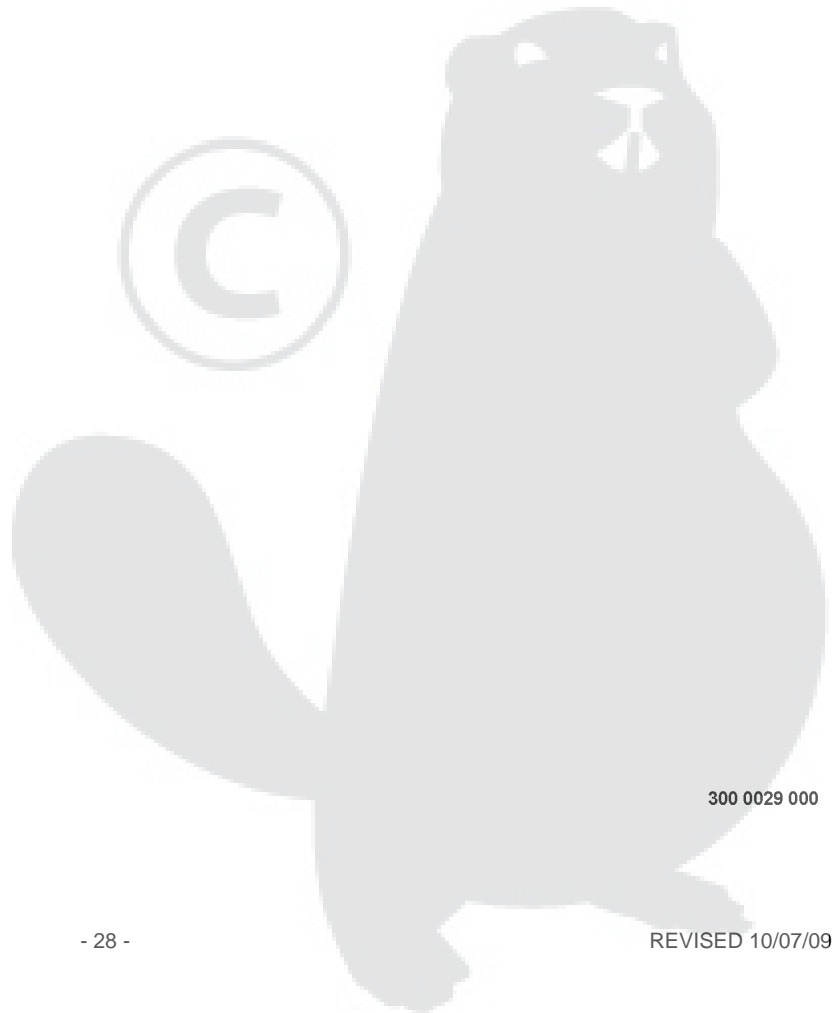
7

100 0076 000

ITEM	PART NUMBER	QTY	DESCRIPTION	REMARKS
1	X505002310	1	LABEL - CAUTION -- HOT	
2	X505000920	1	LABEL, CAUTION	
3	89033252730	1	LABEL - CHOKE	CANADA MODELS
4	89012152730	1	LABEL - CHOKE	
5	X502002890	1	LABEL - MODEL -- EA-400	
6	X547001460	1	LABEL - MODEL -- EA-410	
7	X503005420	1	LABEL - MODEL -- EA-500	



Use Gasket Kit	Contains:	Service Number	Description
P021003370		V100000040	GASKET, CYLINDER
		V102000001	GASKET, CRANKCASE
		V103000070	GASKET, INTAKE
		V103000080	GASKET, INTAKE
		V104000240	SHIELD, EXHAUST
		14586642031	GASKET, EXHAUST



300 0029 000

<u>ITEM</u>	<u>PART NUMBER</u>	<u>QTY</u>	<u>DESCRIPTION</u>	<u>REMARKS</u>
1	P021003371	1	GASKET KIT	



SOCKET WRENCH W/SCREWDRIVER (Also Removes Spark Plugs)

1 - 89541010630 -- 17X19mm

2 - X602000020 -- 17X19mm

3 - 89541039131 -- 10X19mm

4 - 89541006960 -- 13X19mm

SOCKET WRENCH

5 - X602000031 -- 17X14.5mm

LOCKING ROD

6 - 89751801131 -- 5X120mm

OPEN END WRENCH

7 - 89511200330 -- 8X10mm

8 - 89512220960 -- 17X19mm

9 - 89501505260 -- 10mm

HEX BAR

10 - 89541220960 -- 10mm

HEX KEY

11 - 89561203430 -- 3mm

12 - 89561000130 -- 4mm

13 - 89561100330 -- 5mm

TORX KEY

14 - X605000060 -- T27

SCREWDRIVER

15 - 89581100130 -- 125mm SLOTTED

16 - 89581203930 -- 50mm PHILLIPS

CHUCK KEY

17 - 89757005560

Consult Your Operators Manual For The Tools Used With Your Model

200 0002 000

ITEM	PART NUMBER	QTY	DESCRIPTION	REMARKS
1	89541010630	1	SOCKET WRENCH/SCREWDRIVER	17X19mm
2	X602000020	1	SOCKET WRENCH/SCREWDRIVER	17X19mm
3	89541039131	1	SOCKET WRENCH/SCREWDRIVER	10X19mm
4	89541006960	1	SOCKET WRENCH/SCREWDRIVER	13X19mm
5	X602000031	1	SOCKET WRENCH	17X14.5mm
6	89751801131	1	LOCKING ROD	5X120mm
7	89511200330	1	OPEN END WRENCH	8X10mm
8	89512220960	1	OPEN END WRENCH	17X19mm
9	89501505260	1	OPEN END WRENCH	10mm
10	89541220960	1	HEX BAR	10mm
11	89561203430	1	HEX KEY	3mm
12	89561000130	1	HEX KEY	4mm
13	89561100330	1	HEX KEY	5mm
14	X605000060	1	TORX KEY	T27
15	89581100130	1	SCREWDRIVER	125mm SLOT HEAD
16	89581203930	1	SCREWDRIVER	50mm CROSS HEAD
17	89757005560	1	CHUCK KEY	

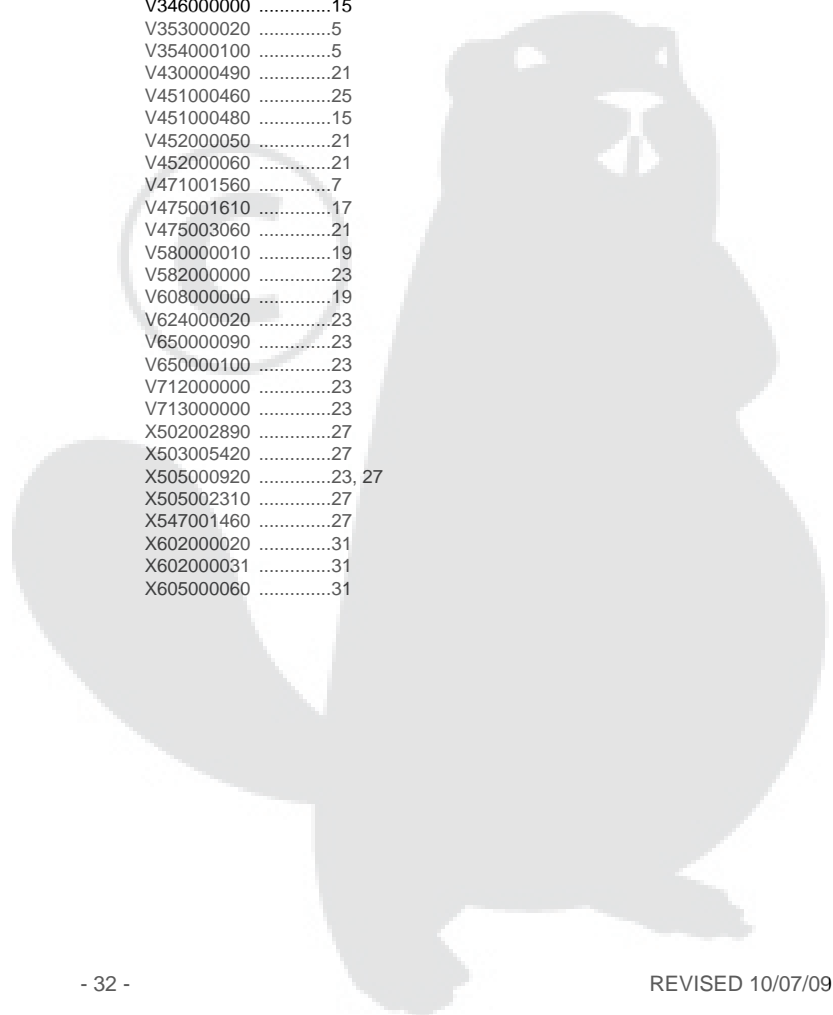




Part Number Index

Click The Page Number After Any Part Number To View The Diagram Containing That Part.

Part Number	Page	Part Number	Page	Part Number	Page
-----	7, 9	90050200008	13	C534000141	23
-----	25	90051900010	17	C534000150	23
10001110530	19	90081036202	19	P003000180	9
10001212331	19	9154503010	21	P003000650	9
10021300310	19	9403536201	19	P003000660	9
10021305530	19	9507017150	23	P003001130	9
10021503930	19	9507017200	23	P003001490	9
12311440630	9	9507121125	25	P003001500	9
12313440030	9	99922203813	25	P021002471	19
12313905560	9	99922203814	25	P021002481	15
12314444330	9	99944900150	25	P021002612	21
12314954230	9	99944900160	25	P021003371	29
12317245130	9	99944900170	25	P021005911	17
12317307930	9	99944900180	25	P021009590	7
12318139130	7	99944900190	25	P021012110	7
13100455530	13	99944900200	25	P021014260	19
13101655830	13	99944900210	25	P022002080	13
13105156030	13	99944900220	25	P022002100	13
13120519831	13	99944900230	25	SB1097	19
13201053630	13	99944900240	25	V100000040	19
13201202960	13	99944900250	25	V102000001	19
13201239331	7	99944900260	25	V103000070	7
13201326630	13	99944900270	25	V103000080	7
13211555930	13	99944900275	25	V104000241	11
14586240630	11	99944900280	25	V110000020	23
14586642031	11	99944900290	25	V141000020	17
15611404920	17	99944900300	25	V150000550	11
15901010230	17	99944900310	25	V162000130	21
15901010630	17	99944900330	25	V186000080	13
15902537530	19	99944900335	25	V253000100	7
16201055630	17	99944900370	25	V307000060	19
16341049231	21	A011000120	19	V346000000	15
17504903920	15	A014000000	19	V353000020	5
17721840630	13	A021001171	9	V354000100	5
17722006310	13	A051000190	13	V430000490	21
17722606310	13	A052000011	13	V451000460	25
17722742030	13	A128000060	7	V451000480	15
17722827030	13	A130000880	19	V452000050	21
17723440630	13	A160000241	5	V452000060	21
17723606910	13	A161000080	5	V471001560	7
17812110050	21	A162000020	5	V475001610	17
43721520760	13	A172000230	15	V475003060	21
89012152730	27	A200000060	7	V580000010	19
89015712330	21	A226000360	7	V582000000	23
89033252730	27	A232000390	7	V608000000	19
89501505260	31	A239000050	7	V624000020	23
89511200330	31	A244000010	7	V650000090	23
89512220960	31	A259000000	9	V650000100	23
89541006960	31	A300000231	11	V712000000	23
89541010630	31	A313000290	11	V713000000	23
89541039131	31	A313000300	11	X502002890	27
89541220960	31	A320000111	5	X503005420	27
89561000130	31	A350000131	13	X505000920	23, 27
89561100330	31	A356000030	13	X505002310	27
89561203430	31	A390000000	13	X547001460	27
89581100130	31	A390000010	13	X602000020	31
89581203930	31	A393000030	13	X602000031	31
89751801131	31	A393000050	13	X605000060	31
89757005560	31	A411000050	17		
90010505055	7	A426000000	17		
90010506060	11	A427000000	17		
90010605012	5, 13	A440000381	21		
90010605020	5, 13	A551000041	15		
90010605025	5, 7, 13	A553000030	15		
90016205012	11	A556000490	23		
90016205020	15, 17, 19	A557000000	15		
90016205035	19	C080000001	23		
90023505030	21	C403000050	23		
90024204010	11	C450000022	21		
90025304016	21	C460000011	21		
90032303014	17	C504000120	23		
90050000005	21	C531000150	23		
90050200006	21	C531000160	23		





Part Description Index

Click The Page Number After Any Part Description To View The Diagram Containing That Part.

A

ADAPTOR - 7/8" TO 1".....25
 ADAPTOR W/SPRING - 7/8" TO 1".....25
 AIR CLEANER COVER ASY.....7

B

BEARING, BALL.....19, 23
 BEARING, BALL - 6201.....19
 BEARING, NEEDLE.....19
 BODY, CARBURETOR.....9
 BOLT - 1/4" X 28 X 5/8".....25
 BOLT - 3/8 X 16 X 1-1/2".....25
 BOLT - 3/8 X 16 X 1-1/2" -- GRADE 5.....25
 BOLT - 5/16 X 18 X 2".....25
 BOLT 1/4-20 X 1-1/2.....23
 BOLT 1/4-20 X 2.....23
 BOLT, CLUTCH.....15
 BRACKET, CABLE.....9
 BRACKET, FUEL TANK.....13

C

CABLE, THROTTLE.....21
 CAP ASY.....13
 CAP, LIMITER.....9
 CAP, SPARK PLUG.....17
 CARBURETOR.....7
 CARBURETOR -- WYK-226A.....9
 CASE, AIR CLEANER.....7
 CHUCK KEY.....31
 CIRCLIP.....23
 CIRCLIP, PISTON PIN.....19
 CLIP.....13
 CLIP, SWIVEL.....9
 CLUTCH ASY.....15
 COIL, IGNITION.....17
 COLLAR 5.....5
 CONNECTOR.....13
 CONNECTOR, CAP.....13
 COVER.....21
 COVER - CORRUGATED -- 7X10X370mm.....21
 COVER, AIR CLEANER.....7
 COVER, DUST.....17
 COVER, ENGINE - ORANGE.....5
 COVER, EXHAUST.....5
 COVER, FAN.....15
 COVER, PRIMER PUMP.....9
 COVER, SWITCH.....21
 CRANKCASE KIT.....19
 CRANKSHAFT ASY.....19
 CUSHION, FUEL TANK.....13
 CYLINDER.....19

D

DECOMPRESSION ASY.....19
 DEFLECTOR, EXHAUST.....5
 DIAPHRAGM, PUMP.....9
 DOWEL PIN - 0.25x0.50 in.....23
 DOWEL PIN - 4X7.8mm.....19
 DRIVESHAFT.....23
 DRUM, CLUTCH.....23

E

EARTH AUGER BLADE KIT - 10".....25

EARTH AUGER BLADE KIT - 4".....25
 EARTH AUGER BLADE KIT - 6".....25
 EARTH AUGER BLADE KIT - 8".....25
 EARTH AUGER REPLACEMENT POINT.....25
 EARTH AUGER W/POINT - 2".....25
 EARTH AUGER W/POINT - 3".....25
 EARTH AUGER W/POINT - 4".....25
 EARTH AUGER W/POINT & SPRING- 6".....25
 EARTH AUGER W/POINT & SPRING- 8".....25
 EARTH AUGER W/POINT & SPRING-10".....25
 E-RING.....13
 EXTENSION SHAFT - 12" (7/8" DIA).....25
 EXTENSION SHAFT - 18" (7/8" DIA).....25

F

FILTER, AIR.....7
 FILTER, FUEL.....13
 FLANGE NUT 10.....17
 FLYWHEEL KIT.....17

G

GASKET KIT.....29
 GASKET, CAP.....13
 GASKET, CRANKCASE.....19
 GASKET, CYLINDER.....19
 GASKET, EXHAUST.....11
 GASKET, GEAR CASE.....23
 GASKET, INTAKE.....7
 GASKET, METERING DIAPHRAGM.....9
 GASKET, PUMP.....9
 GASKET/DIAPHRAGM KIT.....9
 GEAR, SPUR - 44 TOOTH.....23
 GEAR, SPUR - 48 TOOTH.....23
 GEARCASE - LOWER.....23
 GEARCASE - UPPER.....23
 GRIP, HANDLE.....23
 GRIP, STARTER.....13
 GROMMET.....17
 GROMMET, FUEL.....13
 GUARD, TOP.....5
 GUIDE, EXHAUST - INNER.....11
 GUIDE, EXHAUST - OUTER.....11
 GUIDE, ROPE.....13

H

HANDLE BAR ASY.....23
 HANDLE GRIP ASY.....21
 HEX BAR.....31
 HEX KEY.....31

I

ICE AUGER COVER - 10".....25
 ICE AUGER COVER - 8".....25
 ICE AUGER DUAL BLADE - 10".....25
 ICE AUGER DUAL BLADE - 8".....25
 ICE AUGER DUAL BLADE KIT - 10".....25
 ICE AUGER DUAL BLADE KIT - 8".....25
 ICE AUGER REPLACEMENT POINT KIT.....25
 IGNITION SWITCH KIT.....21
 INSERT.....7
 INSULATOR, INTAKE.....7

K

KNOB, SWITCH - ORANGE.....21

L

LABEL - CAUTION -- HOT.....27
 LABEL - CHOKE.....27
 LABEL - MODEL -- EA-400.....27
 LABEL - MODEL -- EA-410.....27
 LABEL - MODEL -- EA-500.....27
 LABEL, CAUTION.....23, 27
 LEAD, GROUND.....17
 LEVER, METERING.....9
 LOCKING ROD.....31
 LOCKNUT - 3/8 X 16".....25
 LOCKNUT - 3/8" X 16.....25
 LOCKNUT - 5 X 0.8 (NYLOCK).....25
 LOCKNUT - 5/16" X 18.....25
 LOCKOUT, THROTTLE.....21

M

METERING, DIAPHRAGM.....9
 MUFFLER.....11

N

NEEDLE - HIGH SPEED.....9
 NUT - 1/4" X 28.....25
 NUT 5.....21
 NUT 6.....21
 NUT 8.....13

O

OIL SEAL.....19
 OPEN END WRENCH.....31

P

PACKING, RING.....9
 PAWL ASY.....13
 PAWL, STARTER.....13
 PIN, METERING LEVER.....9
 PIN, PISTON.....19
 PIPE, FUEL - 3X6X180mm.....13
 PIPE, INTAKE - 3X5X80mm.....7
 PIPE, RETURN - 3X6X60mm.....13
 PIPE, VENT.....7
 PIPE, VENT - 3X6X120mm.....13
 PISTON KIT.....19
 PLATE, CLUTCH.....15
 PLATE, EYE.....11
 PLATE, PREVENT.....7
 PUMP BODY ASY.....9
 PUMP, PURGE.....7

R

REPAIR KIT.....9
 RING, PISTON.....19
 ROPE, STARTER - 3.5X 1000mm.....13

S

SCREEN, INLET.....9
 SCREEN, MUFFLER.....11
 SCREW.....13
 SCREW - 3/8 X 16 X 1-1/4".....25
 SCREW - 5 X 0.8 X 16mm.....25
 SCREW 3X10.....21
 SCREW 4X10.....11



Part Description Index (continued)

SCREW 4X16 - TAPPING.....21
 SCREW 5X12.....5, 11, 13
 SCREW 5X20.....5, 7, 13, 15, 17, 19
 SCREW 5X25.....5, 7, 13
 SCREW 5X30.....21
 SCREW 5X35.....19
 SCREW 5X55.....7
 SCREW 6X60.....11
 SCREW, CABLE BRACKET.....9
 SCREW, IDLE ADJUST.....9
 SCREW, METERING LEVER PIN.....9
 SCREW, PUMP COVER.....9
 SCREWDRIVER.....31
 SEAT, FUEL TANK.....13
 SHAFT, GEAR - 10 TOOTH.....23
 SHAFT, GEAR - 7 TOOTH.....23
 SHIELD, DEBRIS.....7
 SHIELD, EXHAUST.....11
 SHOE, CLUTCH.....15
 SHORT BLOCK.....19
 SOCKET WRENCH.....31
 SOCKET WRENCH/SCREWDRIVER.....31
 SPACER.....5
 SPARK PLUG -- BPM-7A.....17
 SPARK PLUG -- BPMR-7A.....17
 SPOOL, STARTER ROPE.....13
 SPRING, CLUTCH.....15
 SPRING, METERING LEVER.....9
 SPRING, RETURN.....13
 SPRING, REWIND.....13
 SPRING, SHOCK ABSORBING.....25
 SPRING, THROTTLE LOCK.....21
 SPRING, THROTTLE TRIGGER.....21
 STARTER ASY.....13
 SWIVEL.....9

T

TANK, FUEL.....13
 TERMINAL, SPARK PLUG CAP.....17
 THROTTLE VALVE ASY.....9
 TIE STRAP.....21
 TORX KEY.....31
 TRIGGER, THROTTLE.....21
 TUBE, INSULATOR.....17

V

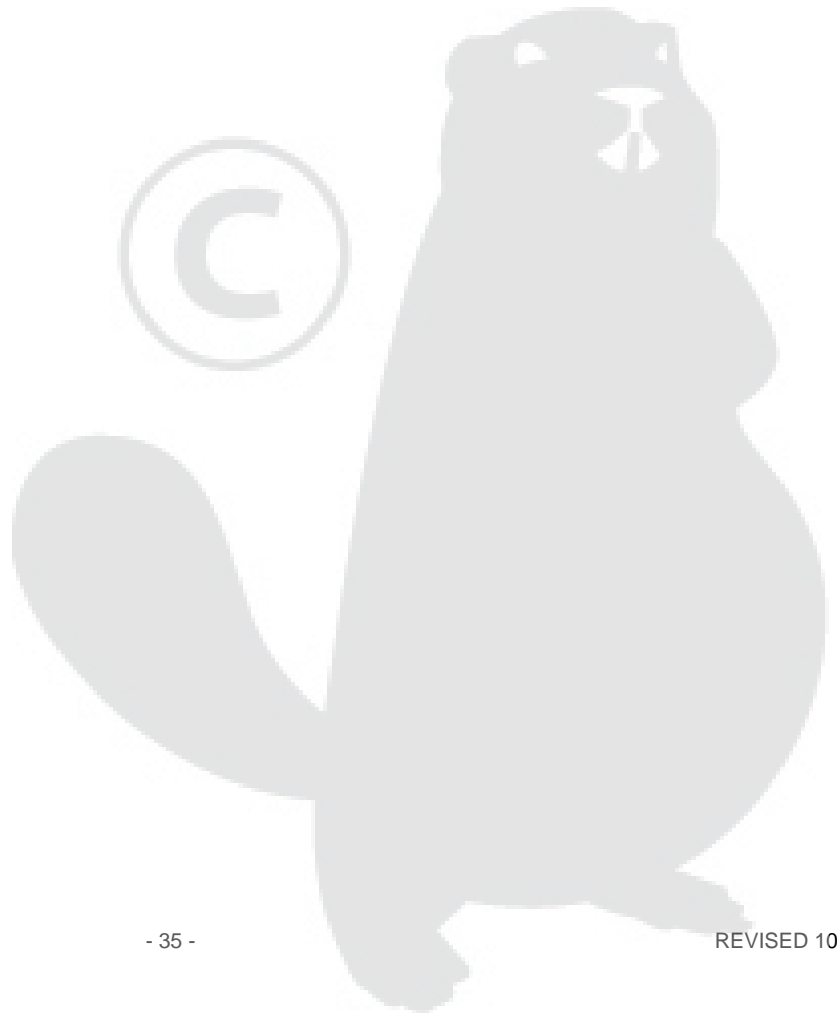
VALVE, INLET NEEDLE.....9
 VENT ASY.....13

W

WASHER.....9, 15, 19
 WASHER - 5/16".....25
 WASHER 10.....19
 WAVE WASHER.....15
 WOODRUFF KEY.....17



NOTES





ECHO, INCORPORATED

400 Oakwood Road
Lake Zurich, IL 60047 USA

WWW.ECHO-USA.COM
