

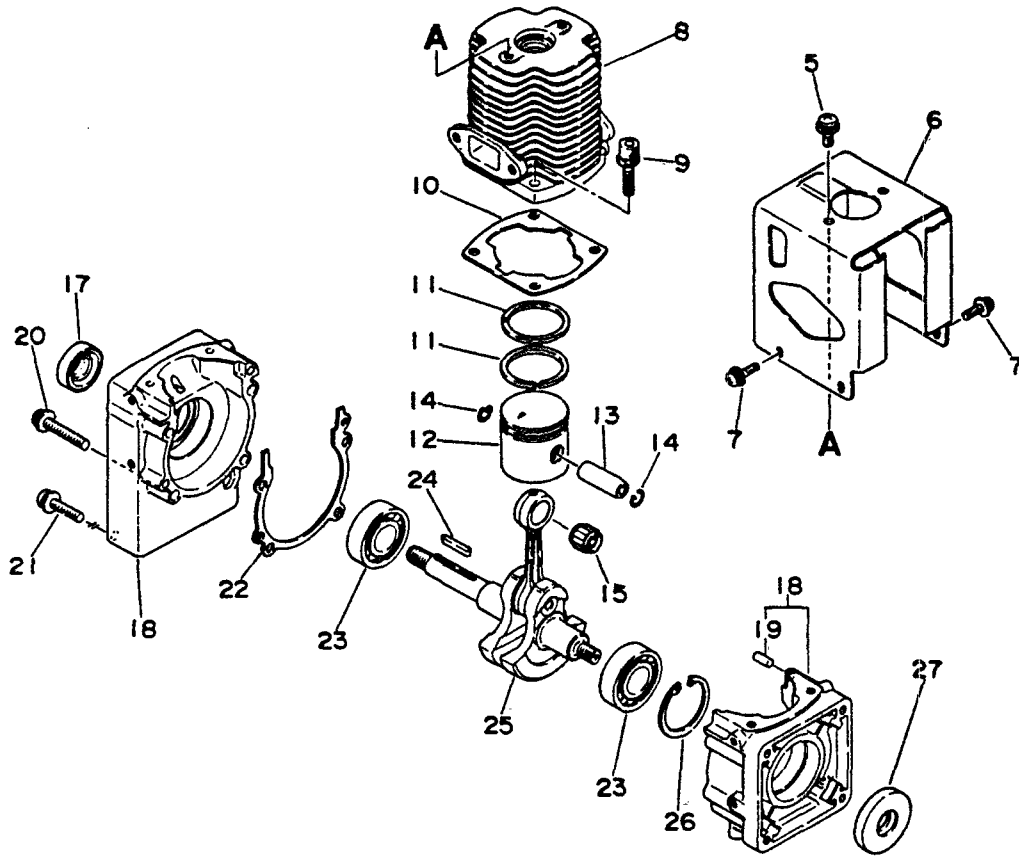


**POWER BLOWER
PARTS CATALOG
MODEL PB-300E**

SERIAL NUMBER 001001 THRU 049616

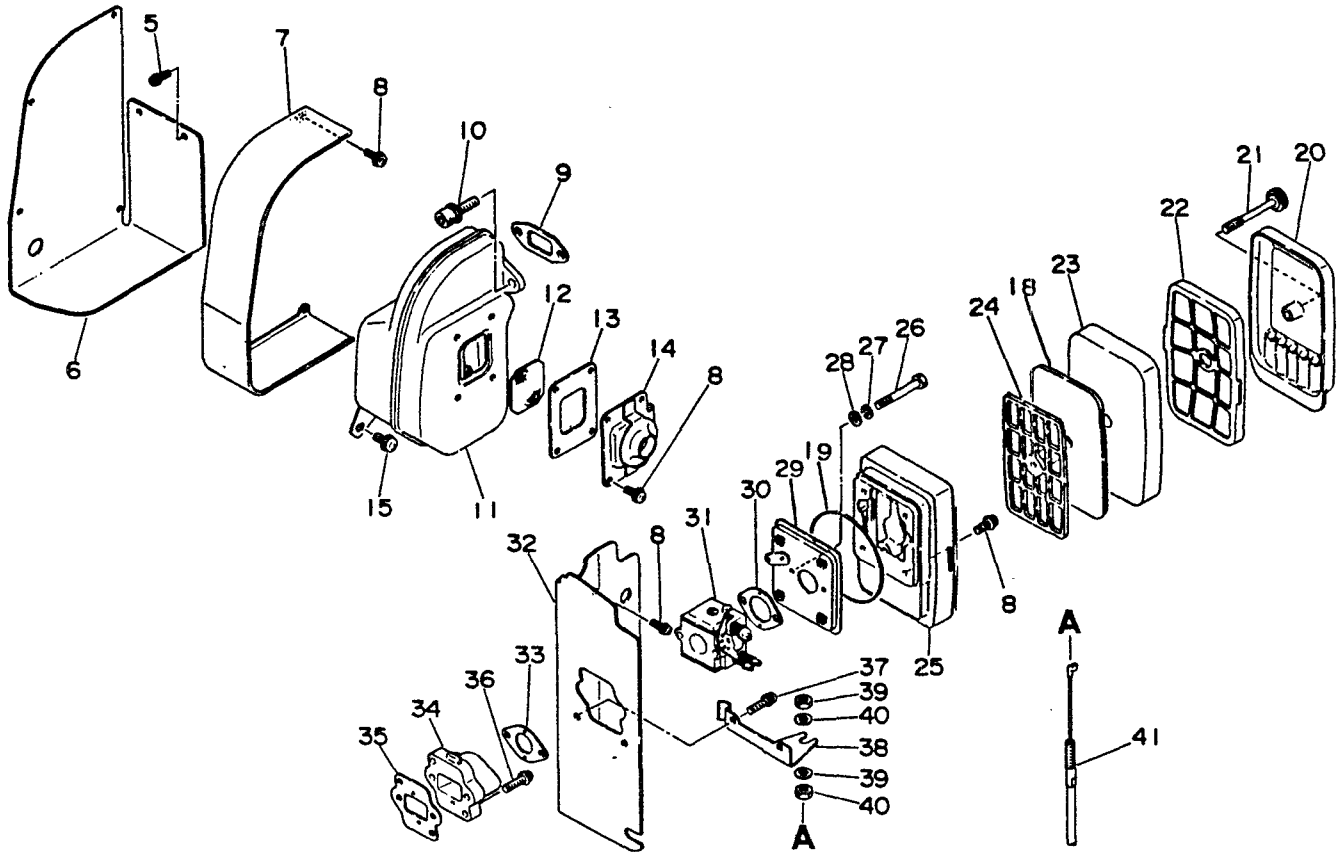
**ECHO, INCORPORATED
400 OAKWOOD ROAD
LAKE ZURICH, IL 60047**

**99922201944
01/92**



Key No.	Part Number	Q'ty	Description	Key No.	Part Number	Q'ty	Description
1- 5	900 242-0501 0	2	Screw 5x10	1- 21	900 242-0502 0	4	Screw 5x20
6	101 514-0346 0	1	Cover, cylinder	* 22	USE KIT	1	Gasket, crankcase
7	900 242-0401 4	4	Screw 4x14	23	900 810-3620 2	2	Bearing, ball 6202
8	101 011-0346 0	1	Cylinder	24	900 325-0302 0	1	Key
9	900 162-0502 0	4	Bolt, h.s. 5x20	25	100 100-0346 0	1	Crankshaft ass'y
* 10	101010 03461	1	Gasket, cylinder base	26	900 702-0003 5	1	Circlip 35
11	100 011-0573 1	2	Ring, piston	27	100 213-0283 0	1	Oilseal
12	100 010-0346 0	1	Piston				
13	100 013-0346 0	1	Pin, piston				
14	100 015-0012 0	2	Circlip, piston pin				
15	100 012-1233 0	1	Bearing, needle				
17	100 213-0031 0	1	Oilseal				
18	100 202 03460	1	Crankcase set				
19	-100 215-0393 0	2	Pin, dowel				
20	900 242-0503 0	4	Screw 5x30				

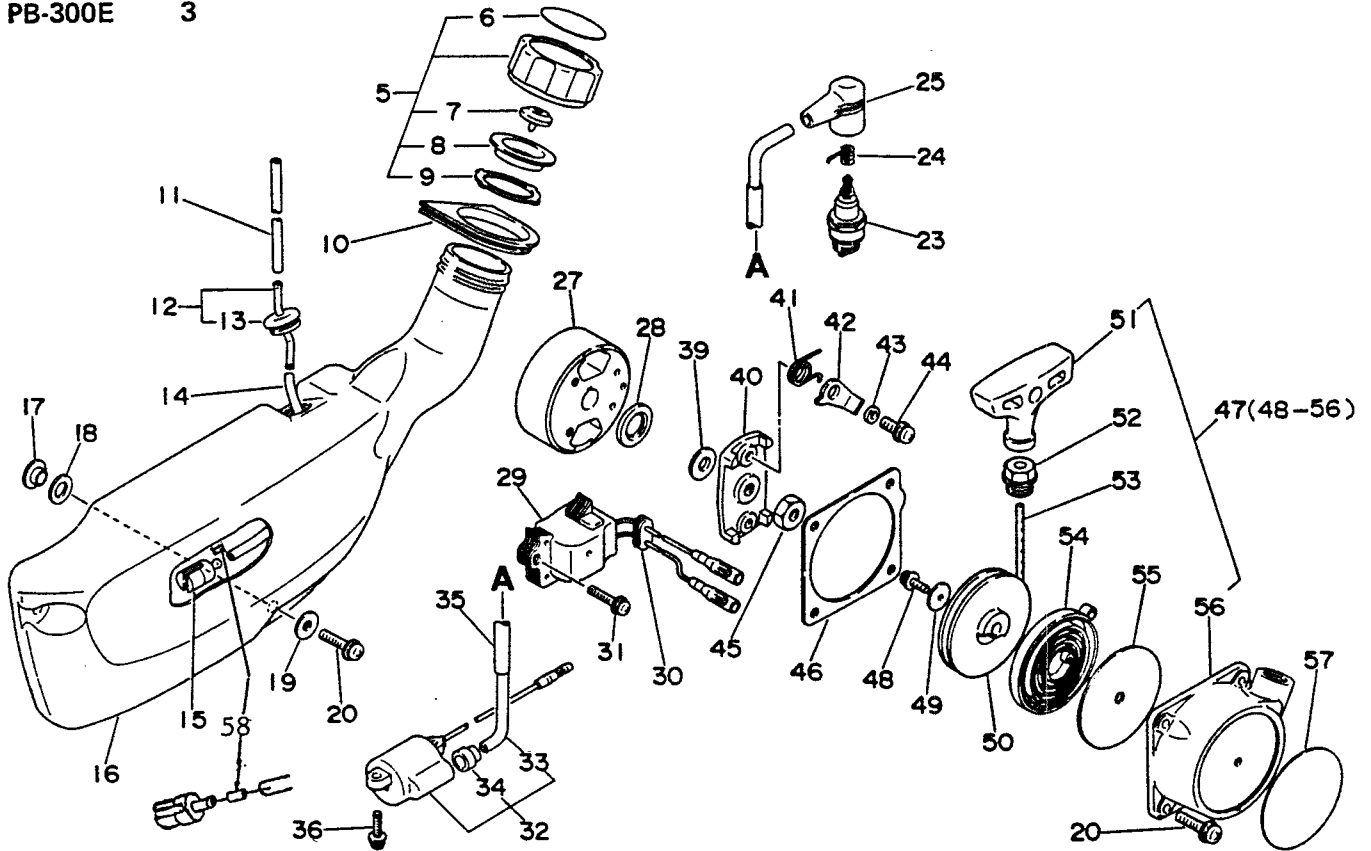
* Use Gasket Kit, P/N 889000 03461



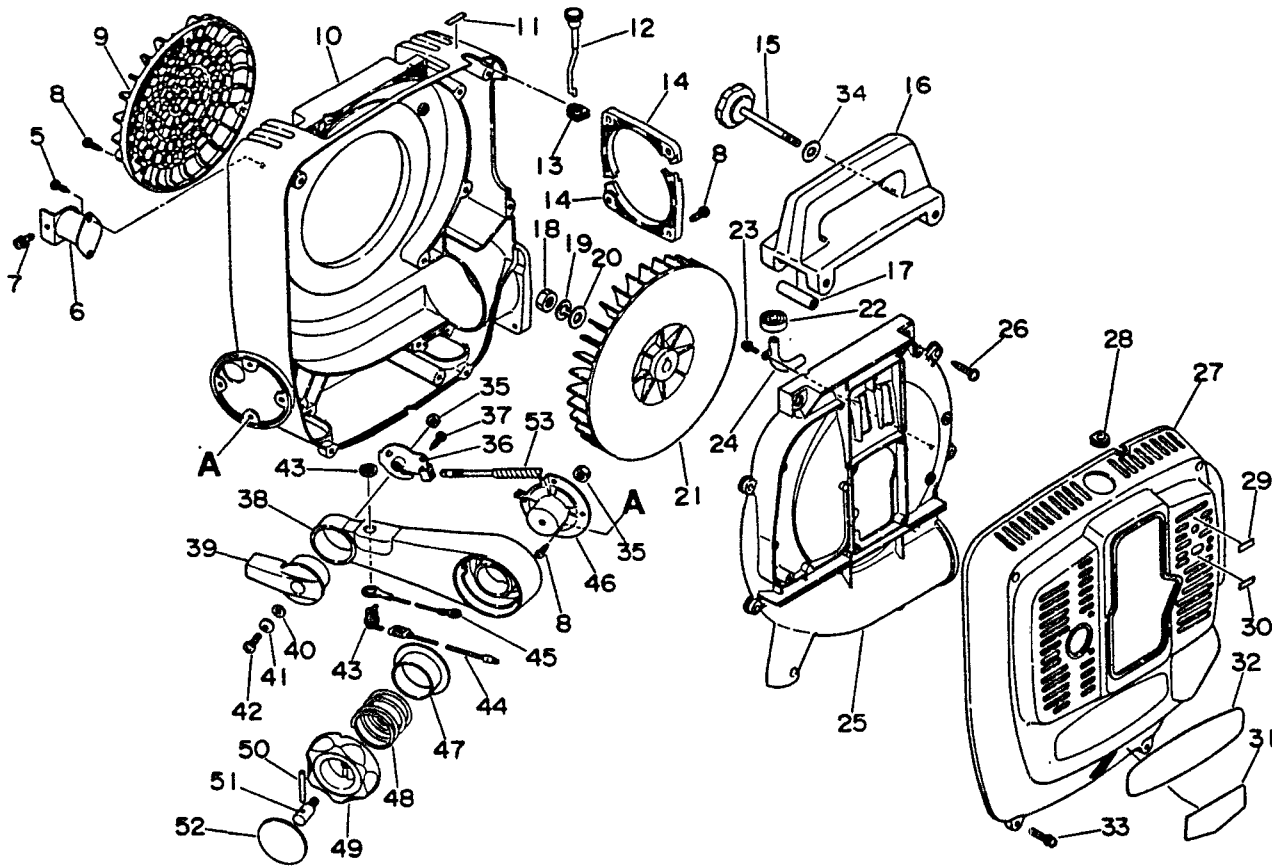
Key No.	Part Number	Q'ty	Description	Key No.	Part Number	Q'ty	Description
2- 5	900 242-0401 4	2	Screw 4x14	2- 26	130 021-0076 1	2	Bolt
6	100 270 03461	1	Insulator	27	900 605-0000 5	2	Washer, spring
7	145 631 03460	1	Cover, muffler	28	900 600-0000 5	2	Washer
8	900 242-0401 0	11	Screw 4x10	29	130 405-0346 0	1	Bracket
*	145800 03461	1	Muffler Asy	30	130 016-0373 0	1	Gasket
*11	145806 03460	1	Muffler	31	123 000-0346 0	1	Carburetor ass'y
8	900 242-0401 0	5	Screw 4x10	32	129 029-0346 0	1	Insulator
9	145 510-0346 0	1	Gasket, muffler	33	130 016-0643 1	1	Gasket
12	145 862-0346 0	1	Screen	34	130 007-0346 0	1	Insulator
13	145 866-0346 0	1	Gasket	35	130 010-0346 0	1	Gasket
14	145 876-0346 0	1	Holder, screen	36	900 242-0502 5	2	Screw 5x25
10	900 162-0602 0	2	Bolt, h.s. 6x20	37	900 242-0502 0	2	Screw 5x20
15	900 162 05016	1	Screw 5x10	38	178 111-0346 0	1	Bracket
18	130 317-0346 0	1	Filter	39	900 602-0000 6	2	Washer 6
19	130 320-1075 0	1	O ring	40	900 502-0000 6	2	Nut 6
20	130 313-0346 0	1	Cover, air cleaner	41	178 001-0346 0	1	Wire, throttle
21	130 406-0346 0	1	Bolt, thumb				
22	130 311-0346 0	1	Grid, air cleaner				
23	130 310-0346 0	1	Filter, air				
24	130 319-0346 0	1	Grid, air cleaner				
25	130 307-0346 0	1	Case, air cleaner				

*Use P/N 145800 03461 Muffler Asy or P/N 145806 03460 Muffler for S/N 0036116 & Below.

*Use P/N 145805 03460 Muffler for S/N 0036117 & Up.

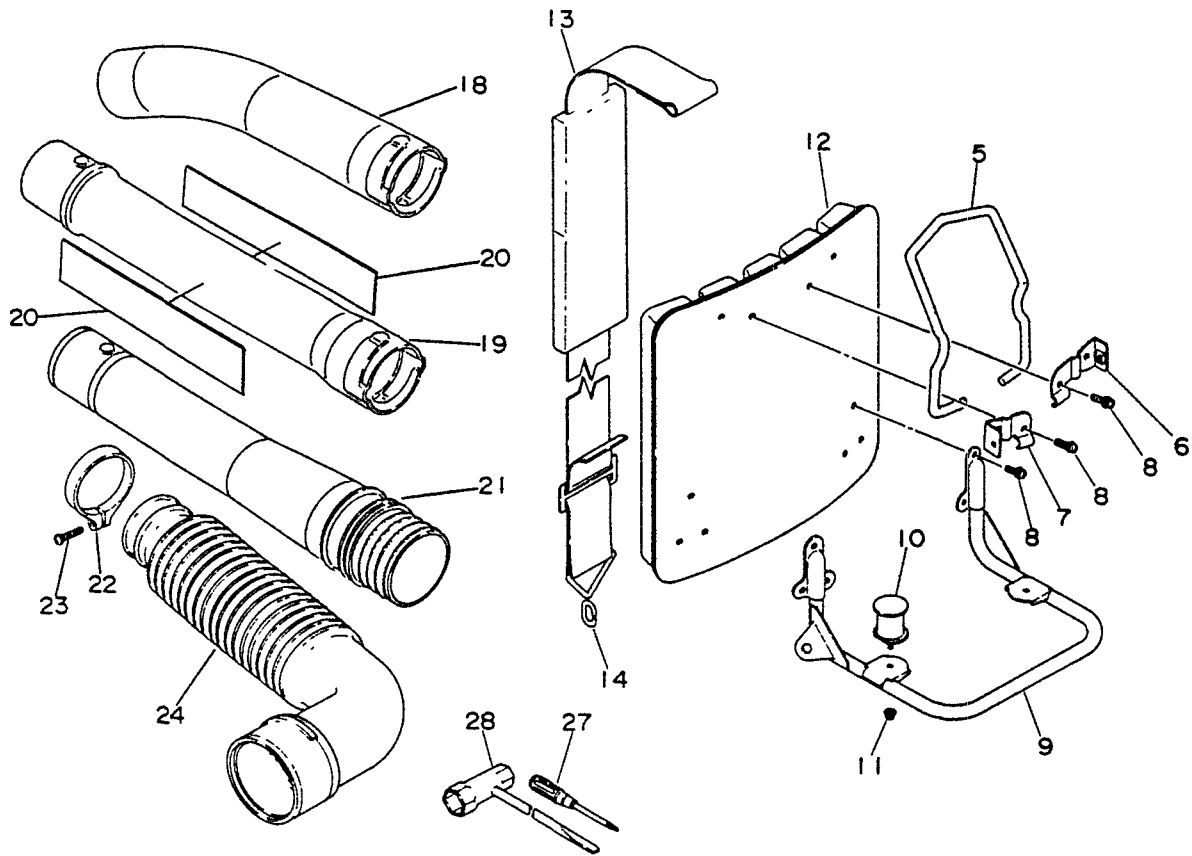


Key No.	Part Number	Q'ty	Description	Key No.	Part Number	Q'ty	Description
3- 5	131 600-0336 0	1	Cap ass'y, fuel	3- 33	-156 631-0346 0	1	Cord, high tension
6	-890 154-1273 0	1	Label, fuel mix	34	-156 632-0346 0	1	Cover
7	-131 314-0632 0	1	Valve, check	35	156 611-0346 0	1	Tube
8	-131 015-2133 0	1	Holder, check valve	36	900 242-0401 4	2	Screw 4x14
9	-131 016-2123 0	1	Gasket	39	900 600-0000 8	1	Washer 8
10	131 038-0346 0	1	Bushing	40	177 210-0653 0	1	Catcher, pawl
11	132 012-0346 0	1	Pipe, fuel	41	177 234-0653 0	2	Spring
12	132005 03460	1	Connector	42	177 218-0653 0	2	Pawl, starter
13	-132 115-2133 0	1	Grommet	43	177 247-0463 0	2	Spacer, ratchet
14	132012 04260	1	Pipe, fuel	44	900 242-0501 0	2	Screw 5x10
15	131 205-0732 0	1	Strainer, fuel	45	900 510-0000 8	1	Nut 8 L-h
16	131 010-0346 0	1	Tank, fuel	46	100 615-0346 0	1	Gasket, starter
17	131916 03461	2	Spacer	47	177 200-0346 0	1	Starter ass'y
18	131 925-0231 0	2	Cushion	48	-900 242-0401 0	1	Screw 4x10
19	131 911-0346 0	2	Washer	49	-177 214-0463 0	1	Washer
20	900 242-0502 0	6	Screw 5x20	50	-177 215-1513 3	1	Drum, starter
23	159 017-1393 0	1	Plug, spark	51	-177 228-0653 0	1	Grip, starter
24	159 011-0343 2	1	Coil, plug cap	52	-177 227-0502 0	1	Guide, rope
25	159 012-0343 3	1	Cap, spark plug	53	-177 226-0653 0	1	Rope, starter
27	156 800-0346 0	1	Flywheel	54	-177 220-0653 0	1	Spring, rewind
28	100 135-0346 0	1	Washer	55	-177 221-1653 0	1	Plate, starter
29	156 601-0346 0	1	C.D. ignition modul	56	-177 209-0346 0	1	Case, starter
30	156 114-0336 0	1	Bushing	57	890 112-1783 1	1	Label, ECHO
31	900 242-0402 0	2	Screw 4x20	58	132 001 15030	1	CHECK VALVE
32	156 602-0346 0	1	Coil, ignition				



Key No.	Part Number	Q'ty	Description	Key No.	Part Number	Q'ty	Description
4-				4- 30	890 158-0346 0	1	Label, caution
6	200 907-0346 0	1	Cushion	31	890 115-0346 1	1	Label, model
7	900 242-0501 2	2	Screw 5x12	32	890 118-0346 0	1	Label, ECHO
5, 8	900 246-0501 2	15	Screw 5x12	33	900 242-0502 0	9	Screw 5x20
9	200 124-0096 0	1	Grid, fan case	34	145 642-0076 0	2	Washer
10	200 105-0346 0	1	Case, fan	35	900 500-0000 6	2	Nut 6
11	890 121-1233 0	1	Label, choke	36	178 123-0346 0	1	Bracket
12	178 510-0346 0	1	Rod, choke	37	900 245-0401 0	1	Screw 4x10
13	178 810-0346 0	1	Bushing	38	178 122-0346 0	1	Arm
14	210 022-0346 0	2	Retainer	39	178 010-0346 0	1	Control, throttle
15	305 812-0346 0	2	Bolt	40	900 600-0000 6	1	Washer 6
16	305 805-0346 0	1	Grip	41	900607 00006	1	Washer
17	305 814-0346 0	1	Cushion	42	900242 06020	1	Screw 6x20
18	900 501-0001 0	1	Nut 10	43	163 400-0346 0	1	Switch, ignition
19	900 605-0001 0	1	Washer, spring 10	44	162 021-0346 0	1	Lead
20	900 600-0001 0	1	Washer 10	45	162 010-0346 0	1	Lead, ground
21	200 010-0346 0	1	Fan	46	178 134-0346 0	1	Plate
22	363 030-0346 0	1	Seal	47	178 135-0346 0	1	Seat, spring
23	900 242-0401 0	1	Screw 4x10	48	178 136-0346 0	1	Spring
24	363 015-0346 0	1	Pipe, intake	49	178 138-0346 0	1	Knob
*25	200 111-0346 0	1	Case, fan	50	900 330-4029 8	1	Pin
26	900 249-0502 5	7	Screw 5x25	51	178 137-0346 0	1	Shaft
27	104 016-0346 0	1	Cover	52	890 186-0346 0	1	Label, lock
28	156 612-0346 0	1	Bushing	53	178 127-0346 0	1	Tube
29	890 185-0346 0	1	Label, idle				

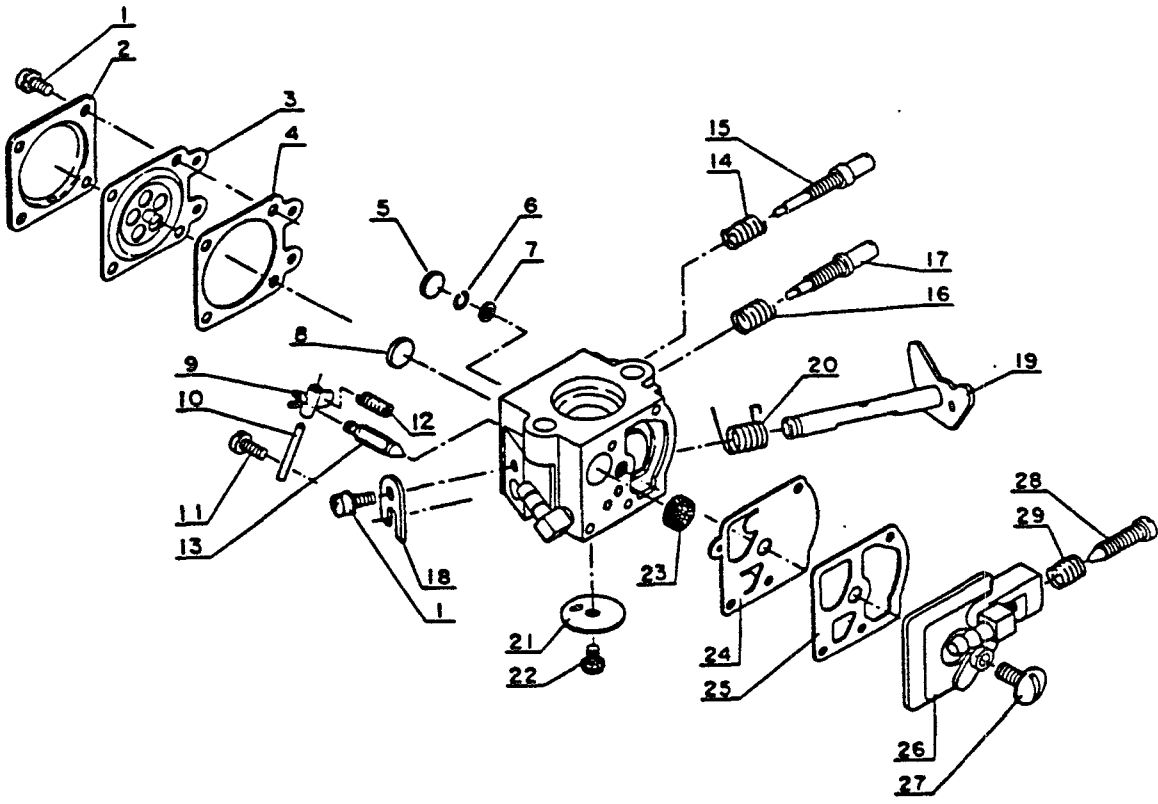
*Use P/N 200111 03460 Fan Case for S/N 0036116 and below. Use P/N 200135 03460 Fan Case for S/N 0036117 & UP.



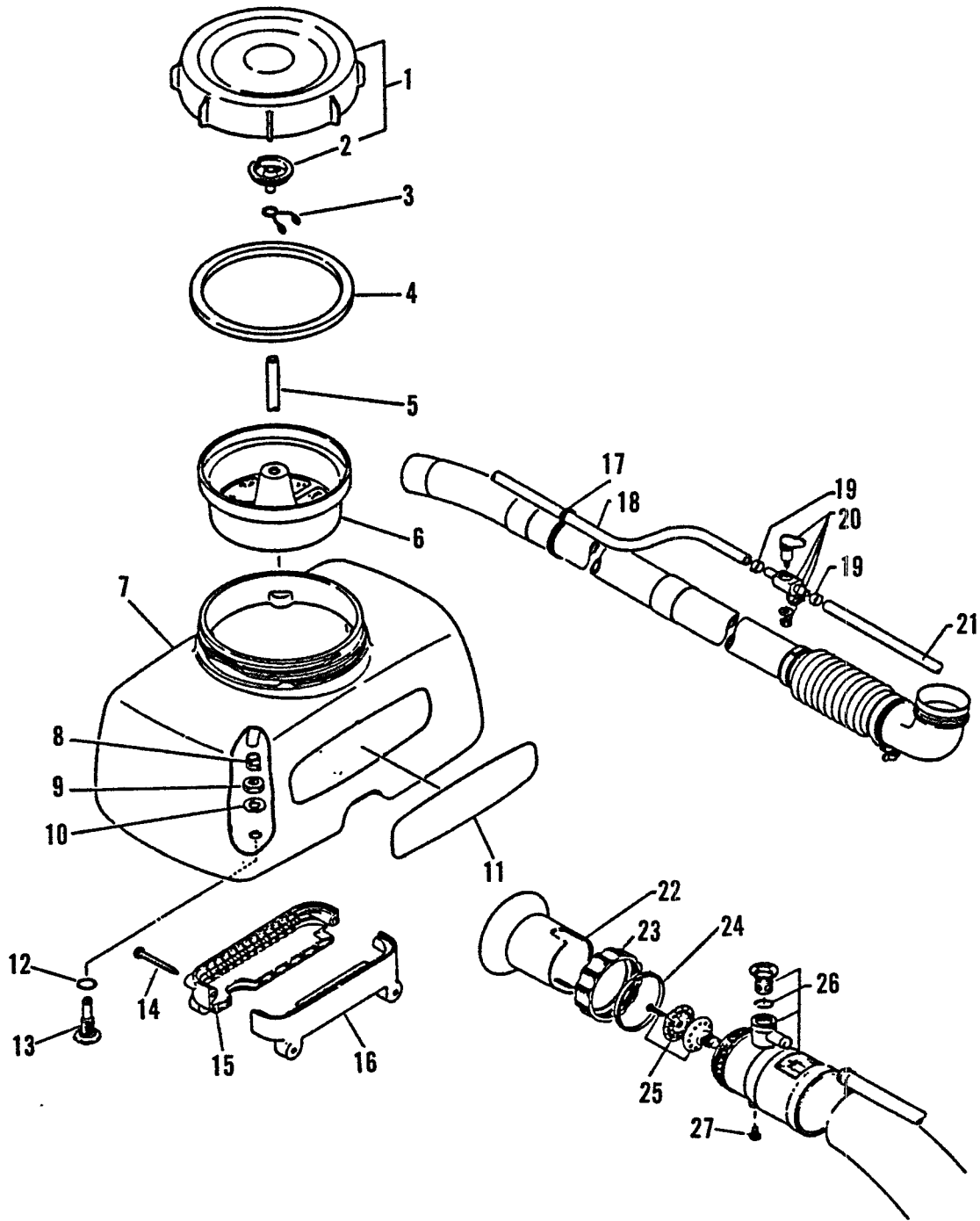
Key No.	Part Number	Q'ty	Description	Key No.	Part Number	Q'ty	Description
5-	300 610-0346 0	1	Hanger	5-	210 023-0346 0	1	Pipe, curved
6	300 614-0346 0	1	Bracket	19	210 015-0346 0	1	Pipe, straight
7	300 615-0346 0	1	Bracket	19	210 001-0426 0	1	Pipe, straight
8	900 242-0501 0	10	Screw 5x10	20	-890 118-0426 0	2	Label, ECHO
9	305 105-0346 0	1	Stand	21	212 005-0346 0	1	Pipe, swivel
10	200 916-0111 0	2	Cushion, knapsack	22	210 400-0066 0	1	Clamp
11	900 515-0000 6	2	Nut, flange 6	23	-900 220-0502 5	1	Screw 5x25
12	300 105-0346 0	1	Cushion	24	210 006-0346 0	1	Pipe, flexible
13	300 300-0076 1	2	Harness, knapsack	27	895 710-0043 0	1	Driver, screw
14	300 319-0161 1	2	Ring, harness	28	895 410-0393 0	1	Wrench 10x19 w/s. driver

ACCESSORIES

- | | |
|--------------|-----------------------------|
| PBAV-300 | PBAV-300E Vacuum Attachment |
| 1960001 | PBAV Bag Only |
| PBAM-300 | PBAM-300E Mister |
| 999441 00010 | Rain Gutter Kit |
| 999441 00020 | Blower Tube Handle |

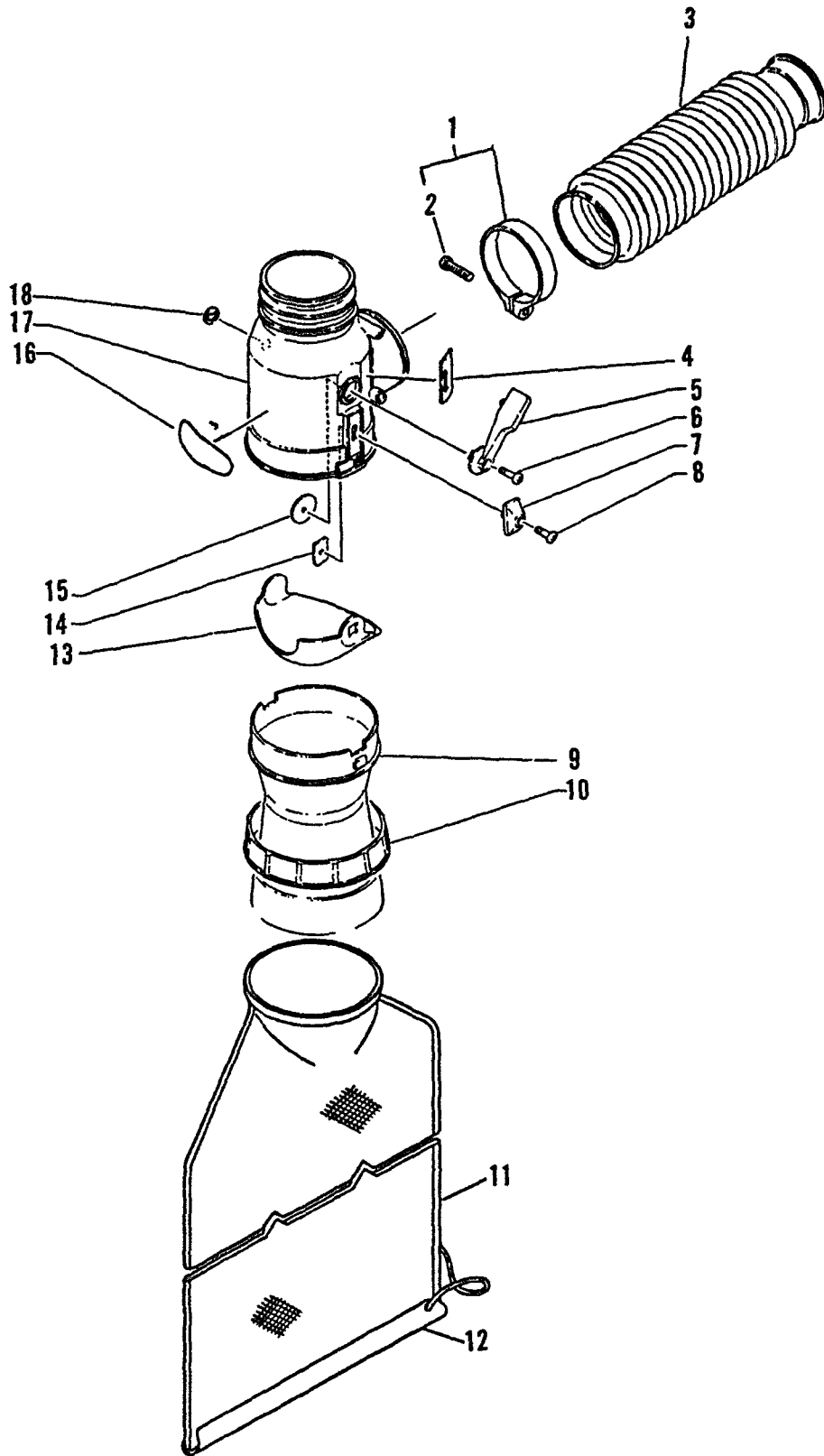


Key No.	Part Number	Q'ty	Description	Key No.	Part Number	Q'ty	Description
6- *	123 000-0346 0	1	Carburetor ass'y	20	-123 113-0393 0	1	Spring, thr. return
1	A	5	Screw	21	-123 116-0393 0	1	Valve, throttle
2	-123 142-0393 0	1	Cover, met. diaphragm	22	-123 114-0393 0	1	Screw
3	A B	1	Diaphragm, metering	23	A	1	Screen, inlet
4	A B	1	Gasket, m. diaphragm	24	A B	1	Diaphragm, fuel pump
5	A	1	Plug, welch	25	A B	1	Gasket, fuel pump
6	A	1	Ring, screen retaining	26	-123 124-0296 0	1	Cover, fuel pump
7	A	1	Screen, check valve	27	-123 110-0393 0	1	Screw
8	A	1	Plug, welch	28	-123 134-0632 0	1	Screw, idle adjust
9	A	1	Lever, metering	29	-123 133-0632 0	1	Spring, idle adjust.
10	A	1	Pin, metering lever				
11	A	1	Screw	Part Number	Description	Key Number	
12	A	1	Spring, metering lever	123101-10530	Kit, gasket/diaphragm	B	
13	A	1	Valve, inlet needle	123100-16330	Kit, kwik repair	A	
14	A	1	Spring, needle adjust.				
15	-123 120-11230	1	Needle, high speed	Remarks: * Consists of 1 thru 29.			
16	A	1	Spring, needle adjust.				
17	-123 118-0346 0	1	Needle, idle				
18	-123 127-0393 0	1	Clip				
19	-123 117-0346 0	1	Shaft, throttle				



PB-300E**MISTER ATTACHMENT 300/4500 #PBAM-300**

KEY	PART NUMBER	QTY	DESCRIPTION	REMARKS
1	250001 02310	1	CAP CHEMICAL TANK	INCLUDES ITEM 2
2	250013 00310	1	CAP, INSIDE	
3	357013 00210	1	CLIP	
4	250011 01110	1	GASKET, CHEMICAL TANK	
5	363014 00310	1	PIPE (INNER)	INCLUDES ITEM 11
6	254210 10510	1	FILTER, CHEMICAL TANK	
7	250000 03460	1	TANK, CHEMICAL	
8	357013 00210	1	CLIP 11	
9	363019 00310	1	NUT, CONNECTOR	
10	363018 00310	1	WASHER	
11	890138 01110	1	LABEL ECHO	
12	900720 00016	1	O-RING 16	
13	363017 03460	1	CONNECTOR, PIPE	
14	900249 05050	2	SCREW 5X50	
15	250910 03460	1	HOLDER, TANK	
16	250908 03460	1	HOLDER, TANK	
17	357911 00110	1	CLIP, PIPE	
18	357011 03460	1	PIPE	
19	357023 01110	4	CLIP 14	
20	358100 01110	1	VALVE, PIPE	
21	357012 03460	1	PIPE	INCLUDES ITEMS 22 - 27
---	212500 01111	1	NOZZLE ASY MISTING	
22	212515 01110	1	COLLAR, NOZZLE	
23	212514 01110	1	NUT, MISTING NOZZLE	
24	212513 01110	1	RING, MISTING NOZZLE	
25	222000 01110	1	NOZZLE	
26	212501 01111	1	HEAD, NOZZLE	
27	900246 05012	1	SCREW, MISTING NOZZLE	



PB-300E**PBAV-300 VACCUM ATTCHMENT**

KEY	PART NUMBER	QTY	DESCRIPTION	REMARKS
1	210400 00660	1	CLAMP, W/SCREW	INCLUDES ITEM 2
2	900242 05025	1	SCREW 5X25	
3	210012 00960	1	PIPE, FLEXIBLE	
4	890175 01961	1	LABEL	
5	215111 01960	1	LEVER	
6	900220 05014	1	SCREW 5X14	
7	215015 01960	1	KNOB	
8	900220 04014	1	SCREW 4X14	
9	215012 01961	1	CONNECTOR	
10	215013 01961	1	RING	
11	1960001	1	BAG, VACUUM	INCLUDES ITEM 12
12	1960020	1	CLIP, VACUUM BAG	
13	215110 01961	1	SHUTTER	
14	215016 01860	1	STOPPER	
15	215112 01860	1	WASHER	
16	890138 44330	1	LABEL, ECHO	
17	215011 01961	1	PIPE, VENTURI	
18	900700 00008	1	E-RING 8	