



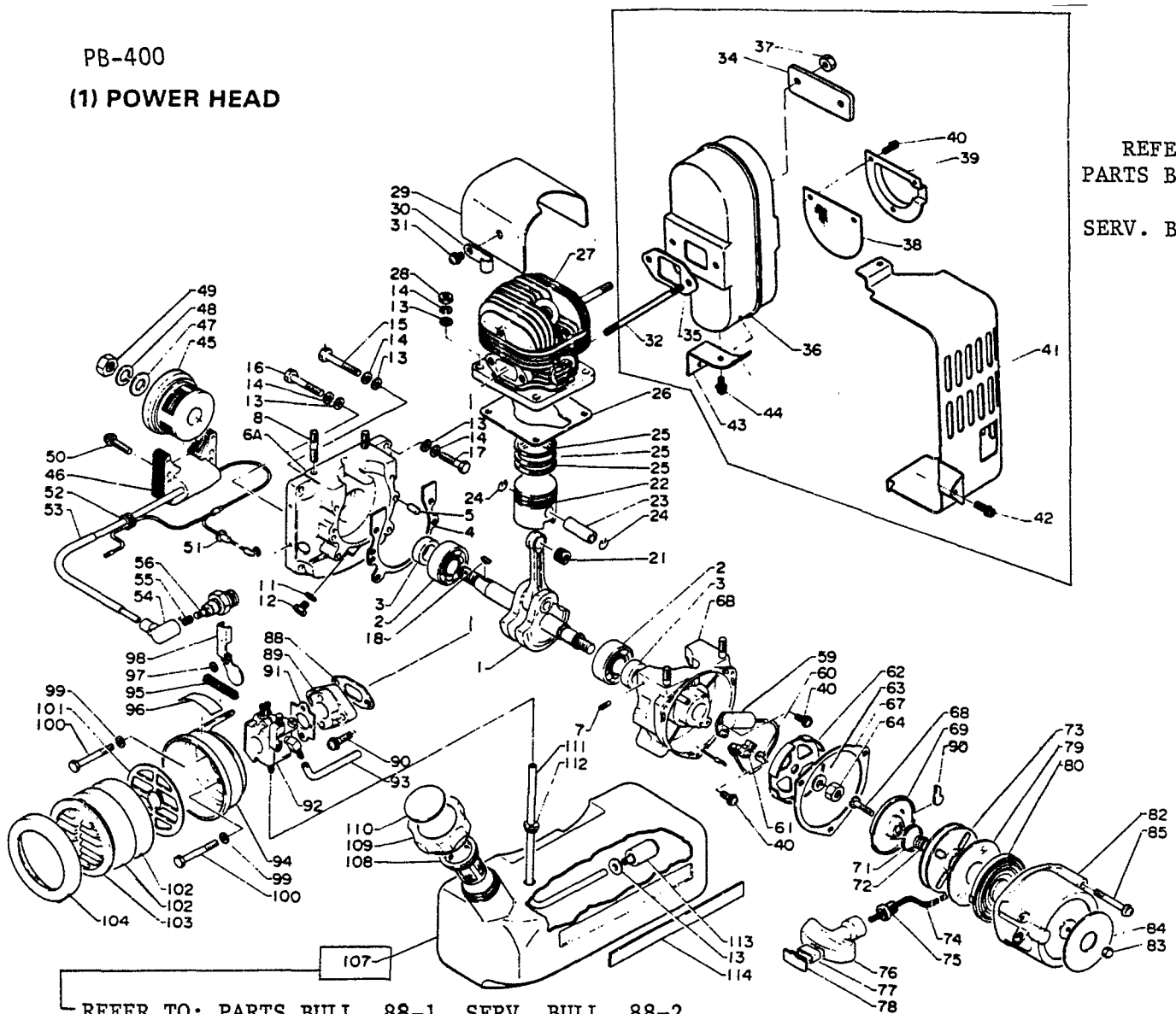
**POWER BLOWER
PARTS CATALOG
MODEL PB-400**

SERIAL NUMBER 001001 THRU 054522

**ECHO, INCORPORATED
400 OAKWOOD ROAD
LAKE ZURICH, IL 60047**

**99922202223
01/92**

(1) POWER HEAD



REFER TO:
PARTS BULL. 88-1
SERV. BULL. 88-2

REFER TO: PARTS BULL. 88-1, SERV. BULL. 88-2

Key No.	Part Number	Q'ty	Description	Key No.	Part Number	Q'ty	Description
1-	100 100-0111 0	1	Crankshaft ass'y	1-25	100 011-0111 0	3	Piston ring
2	900 810-3620 2	2	Ball bearing 6202	(A)26	101010 01110	1	Gasket, cylinder base
3	100 213-0031 0	2	Oil seal	27	101 000-0076 0	1	Cylinder
(A) 4	USE KIT	1	Gasket, crankcase	28	900 500-0000 6	4	Nut 6
5	100 215-0283 0	2	Knock pin	29	101 514-0111 0	1	Cylinder cover
6*	100 200-0076 0	1	Crankcase set	30	159 110-0111 0	1	Clamp
7	-130 113-1233 0	1	Connector	31	900 100-0601 0	2	Bolt 6 x 10
8	100 254-0013 0	4	Stud bolt	* 32	101 014-0076 0	2	Stud bolt
11	131 310-0023 0	1	Gasket, drain bolt	* 34	145 642-0076 2	1	Washer
12	100 510-0031 0	1	Drain bolt	* 35	145 510-0111 0	1	Gasket, muffler
13	900 600-0000 6	13	Washer 6	* *	145 600-0076 1	1	Muffler ass'y
14	900 605-0000 6	12	Spring washer 6	* 36	-145 806-0076 1	1	Muffler
15	100 244-0111 0	2	Bolt	* 39	-145 863-0076 0	1	Muffler lid
16	100 245-0111 0	2	Bolt	* 40	-900 242-0401 0	3	Screw 4 x 10 w/W, SW
17	900 100-0602 5	4	Bolt 6 x 25	* (Option)**	145 800-0076 1	1	Muffler ass'y (S.A.M.)
18	100 142-0031 0	1	Woodruff key	* (Option) 38	-145 862-0076 0	1	Screen
21	100 012-1233 0	1	Needle bearing	* 37	145 710-0023 0	2	Lock nut 6
22	100 010-0111 0	1	Piston	* 40	900 242-0401 0	2	Screw 4 x 10 w/W, SW
23	100 013-0041 0	1	Piston pin	* 41	145 871-0076 2	1	Muffler cover
24	100 015-0012 0	2	Circlip, piston pin	42	900 242-0501 2	2	Screw 5 x 12 w/W, SW

Use Gasket Kit, P/N 889 000-0226 0

* REFER TO: PARTS BULL. 88-1, SERV. BULL. 88-2,
SERVICE BULLETIN 90-7

Key No.	Part Number	Q'ty	Description	Key No.	Part Number	Q'ty	Description
1- 43	145 711-0076 0	1	Supporter	1- 79	-177 235-0091 0	1	Side plate, starter
44	900 240-0501 0	2	Screw	80	-177 220-0111 0	1	Rewind spring
# 45	150 200-0111 0	1	Rotor	82	-177 232-0111 0	1	Starter case
# 46	150 126-0076 0	1	Ignition coil	83	-177 237-0111 0	1	Cap nut 5
47	100 136-0111 0	1	Washer	84	890118 49330	1	Decal, ECHO
48	100 133-0111 0	1	Spring washer	85	900 242-0504 2	3	Screw 5x42 w/W, SW
49	100 134-0111 0	1	Nut	88	130 016-0111 0	1	Gasket
50	900 242-0502 5	2	Screw 5x25 w/W, SW	89	130 007-0076 0	1	Insulator
51	150 114-0031 0	1	Grommet	90	900 242-0602 5	2	Screw 6x25 w/W, SW
52	151 112-0463 0	1	Grommet	91	130 016-0623 0	1	Gasket
53	150 111-0111 0	1	Sleeve	92	123 000-0076 0	1	Carburetor ass'y
54	159 012-0162 0	1	Cap, spark plug	93	130 110-0076 0	1	Pipe
55	159 011-0051 0	1	Coil spring, spark plug cap	****	130 300-0076 0	1	Air cleaner ass'y
56	159 010-0033 0	1	Spark plug	94*	-130 301-0076 0	1	Case, air cleaner
# 59	150 127-0091 0	1	Condenser	95	-178 810-0076 0	1	Grommet
60	159 112-0111 0	1	Clamp	101	-130 319-0076 0	1	Grid
# 61	150 101-0091 0	1	Contact breaker point set	102	-130 310-0076 0	2	Air filter
62	177 210-0091 0	1	Pawl catcher	103	-130 313-0462 0	1	Cover, air cleaner
63	175 015-0012 0	1	Washer	104	-130 341-0462 0	1	Holder, air cleaner cover
64	100 147-0091 0	1	Nut	96	890 158-0076 0	1	Decal, caution
67	100 615-0111 0	1	Gasket, starter case	97	178 516-0393 0	1	Spacer
***	177 200-0111 0	1	Recoil starter ass'y	98	178 515-0076 0	1	Choke shutter
68	-177 236-0111 0	1	Screw	99	100 247-0283 0	2	Washer 5
69	-177 211-0091 0	1	Friction plate	100	130 021-0076 0	2	Bolt
70	-177 218-0091 0	2	Ratchet	* 107	131 010-0076 0	1	Fuel tank
71	-177 234-0091 0	1	Ratchet spring	108	131 110-0031 0	1	Fuel strainer
72	-177 233-0091 0	1	Spring	109	131 001-0533 0	1	Cap ass'y, fuel tank
73	-177 215-0111 0	1	Recoil drum	110	890 147-1023 0	1	Decal, fuel mix
74	-177 226-0111 0	1	Starter rope	111	132 010-0076 0	1	Fuel pipe
75	-177 227-0122 0	1	Rope guide	112	132 115-1113 0	1	Grommet
76	-177 228-0111 0	1	Starter handle	113	131 205-0523 0	1	Fuel strainer
77	-177 229-0022 0	1	End piece	114	890 135-0076 0	1	Decal, name
78	-177 244-0111 0	1	Cap, starter handle				

Remarks

6* Consisting of 6A, 6B and 7

* Consisting of 36, 39 and 40

** Consisting of 36 and 38 thru 40

*** Consisting of 68 thru 80, 82 and 83

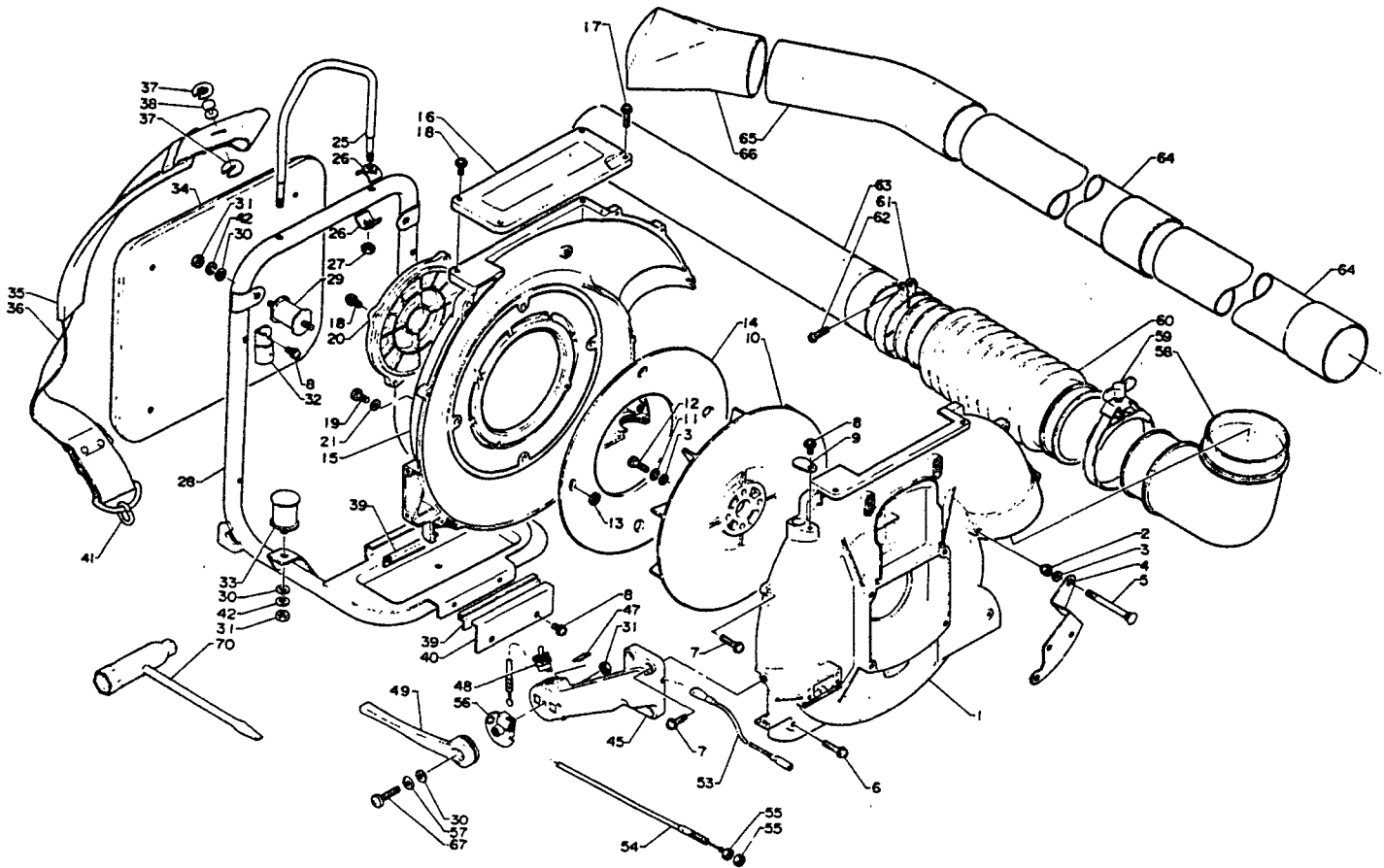
**** Consisting of 94, 95, 101 thru 104

94* Including 95

Optional C.D.I. Kit See Parts Bull. 88-12P

* REFER TO: PARTS BULL. 88-1, SERV. BULL. 88-2,
SERVICE BULLETIN 90-7

(2) FAN CASE, BACK PACK BAND, FRAME, THROTTLE CONTROL, SWITCH, BLOWING PIPE and TOOL



Key No.	Part Number	Q'ty	Description	Key No.	Part Number	Q'ty	Description
2- 1	200107 00760	1	Fan case, recoil starter side	21	900 602-0000 5	4	Washer 5
2	210 419-0111 0	2	Cap nut 5	2 - 25	300 610-0076 0	1	Arm
3	900 600-0000 5	6	Washer 5	26	300 612-0076 0	4	Adapter
4	145 705-0076 0	1	Bracket, muffler cover	27	300 613-0076 0	2	Lock nut 6
5	210 416-0111 0	2	Bolt, blowing elbow	28	300 005-0076 0	1	Frame, back pack
6	900 242-0502 5	2	Screw 5x25 w/W, SW	29	200 910-0111 0	2	Cushion
7	900 242-0502 0	8	Screw 5x20 w/W, SW	30	900 600-0000 6	5	Washer 6
8	900 242-0501 0	7	Screw 5x10 w/W, SW	31	900 500-0000 6	5	Nut 6
9	200 136-0076 0	1	Plug	32	300 220-0076 0	4	Bracket, cushion
10	200 010-0111 0	1	Fan	33	200 916-0111 0	2	Cushion
11	900 605-0000 5	4	Spring washer 5	34	300 105-0076 0	1	Cushion
12	900 100-0501 6	4	Bolt 5x16	*	300 302-0066 0	2	Band, back pack w/pad
13	900 502-0000 5	4	Nut 5	35	-300 322-0111 0	2	Pad, back pack band
14	200 125-0111 0	1	Separator	36	-300 300-0076 0	2	Band, back pack
15	200 105-0076 0	1	Fan case, operator side	37	300 328-0031 0	4	Washer, back pack band
16	200 140-0076 0	1	Plate	38	300 333-0031 0	2	Button
17	900 242-0602 0	1	Screw 6x20 w/W, SW	*39	131 920-0076 0	2	Cushion, fuel tank
18	900 242-0601 5	7	Screw 6x15 w/W, SW	*40	131 910-0076 0	1	Bracket, fuel tank
19	900 100-0501 2	4	Bolt 5x12	41	300 319-0161 0	2	Hook
20	200 124-0111 0	1	Grid, fan case	45	178 122-0076 1	1	Bracket, throttle lever

*REFER TO PARTS BULLETIN 88-1, SERVICE BULLETIN 88-2, SERVICE BULLETIN 90-7

PB-400

Key No.	Part Number	Q'ty	Description	Key No.	Part Number	Q'ty	Description
2 - 47	890 157-1113 0	1	Decal, stop	2 - 59	210 407-0111 0	1	Clamp
48	163 400-0452 1	1	Switch	60	210 012-0111 0	1	Flexible pipe
49	178 010-0066 0	1	Throttle lever	61	210 406-0111 0	1	Clamp
53	150 121-0076 1	1	Lead, switch	62	900 220-0502 0	1	Screw 5x20
54	178 001-0076 1	1	Throttle cable	63	212 005-0066 0	1	Straight pipe w/swivel
55	900 502-0000 6	2	Nut 6	64	210 015-0066 0	2	Straight pipe
56	178 123-0076 0	1	Bracket	65	210 023-0021 0	1	Curved pipe
57	178 129-0066 0	1	Washer	(Option) 66	210 031-0066 0	1	Fan head nozzle
58	210 011-0111 0	1	Elbow	70	895 410-0393 0	1	Box wrench w/screw driver
67	900 220-0602 5	1	Screw 6x25				

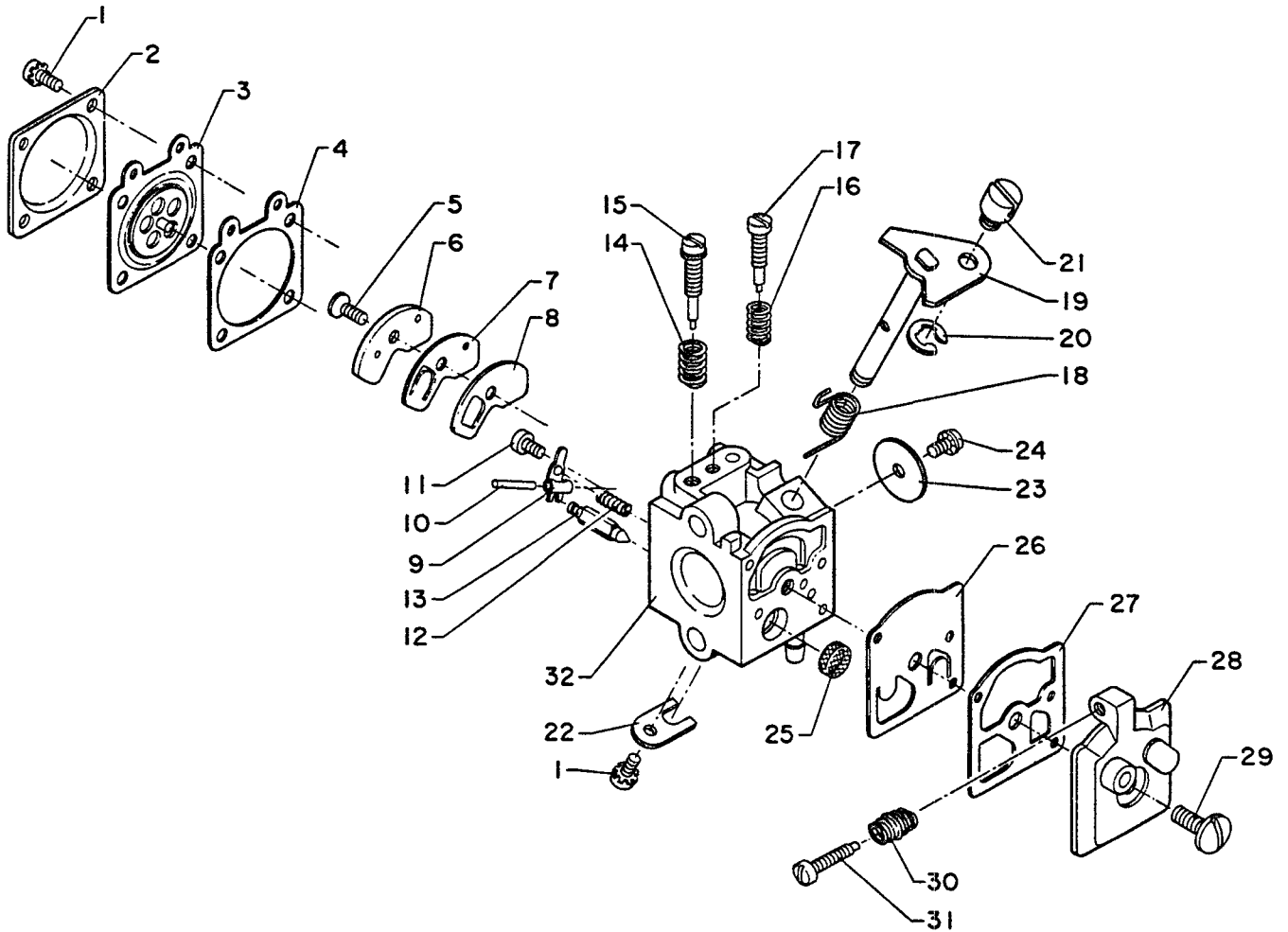
Remarks

* Consisting of 35 and 36

ACCESSORIES

PBAV-400 PBAV Vacuum
 1960001 PBAV Bag Only
 PBAM-400 PBAM-400 Mister
 999441 00010 Rain Gutter Kit
 999441 00020 Blower Tube Handle

(3) CARBURETOR (Type: WALBRO WA)



Key No.	Part Number	Q'ty	Description	Key No.	Part Number	Q'ty	Description
3- *	123 000-0076 0	1	Carburetor ass'y	3- 20	-123 127-1063 0	1	Clip
1	A	5	Screw	21	-123 172-0432 0	1	Swivel
2	-123 142-0393 0	1	Cover, metering diaphragm	22	-123 127-0393 0	1	Clip, throttle shaft
3	A B	1	Diaphragm, metering	23	-123 116-0393 0	1	Valve, throttle
4	A B	1	Gasket, metering diaphragm	24	-123 114-0393 0	1	Screw, throttle valve
5	A	1	Screw, circuit plate	25	A	1	Screen, inlet
6	-123 166-0393 0	1	Plate, circuit	26	A B	1	Diaphragm, fuel pump
7	A B	1	Diaphragm, circuit plate	27	A B	1	Gasket, fuel pump
8	A B	1	Gasket, circuit plate	28	-123 124-0076 0	1	Cover, fuel pump
9	A	1	Lever, metering	29	-123 110-0393 0	1	Screw, pump cover
10	A	1	Pin, metering lever	30	-123 133-1113 0	1	Spring, idle screw
11	A	1	Screw, metering lever pin	31	-123 134-0653 0	1	Screw, idle adjustment
12	A	1	Spring, metering lever	32	-not available	1	Body ass'y, carburetor
13	A	1	Valve, inlet needle				
14	A	1	Spring, H.S. needle				
15	-123 120-0076 0	1	Needle, high speed				
16	A	1	Spring, idle needle				
17	-123 118-0442 0	1	Needle, idle				
18	-123 113-0393 0	1	Spring, throttle return				
19	-123 117-0502 0	1	Shaft ass'y, throttle				

Remarks
 * Consisting of 1 thru 32
 A-KWIK KIT 123 100-0493 0
 B-DIAPHRAGM KIT 123 101-0393 0