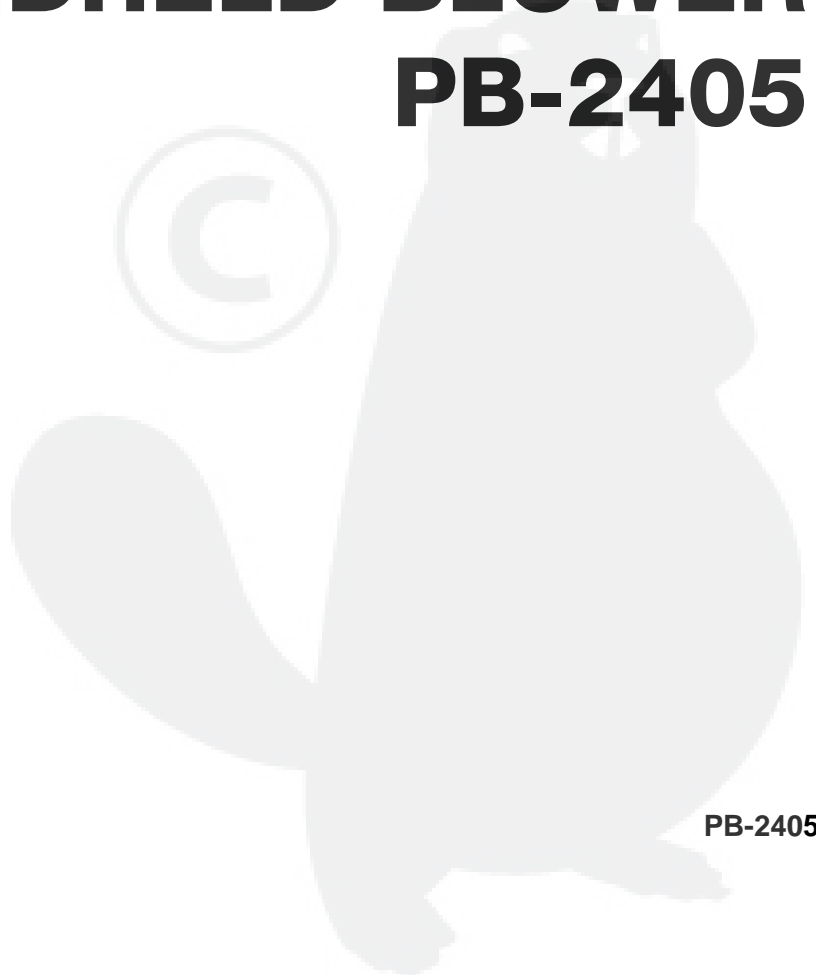




PARTS CATALOG

HANDHELD BLOWER

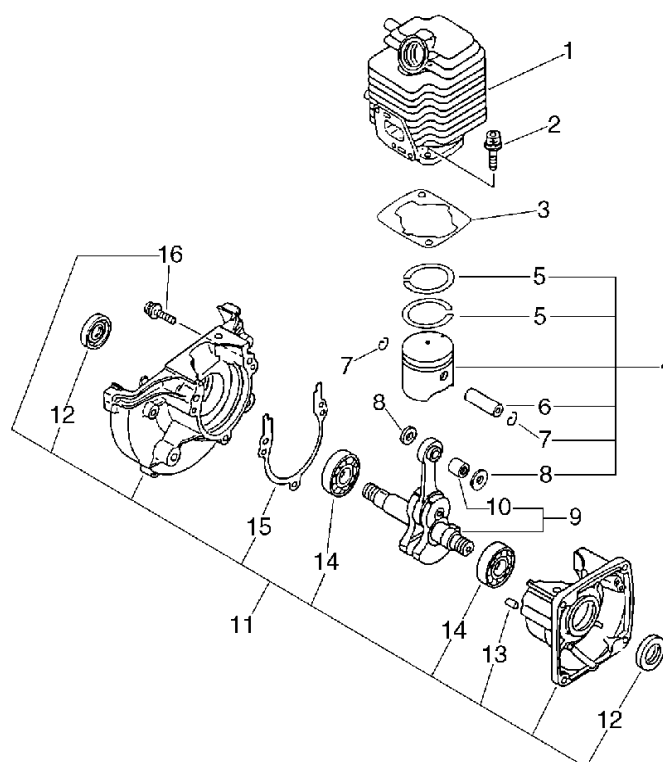
PB-2405



PB-2405

1. Cylinder, Crankcase, Piston

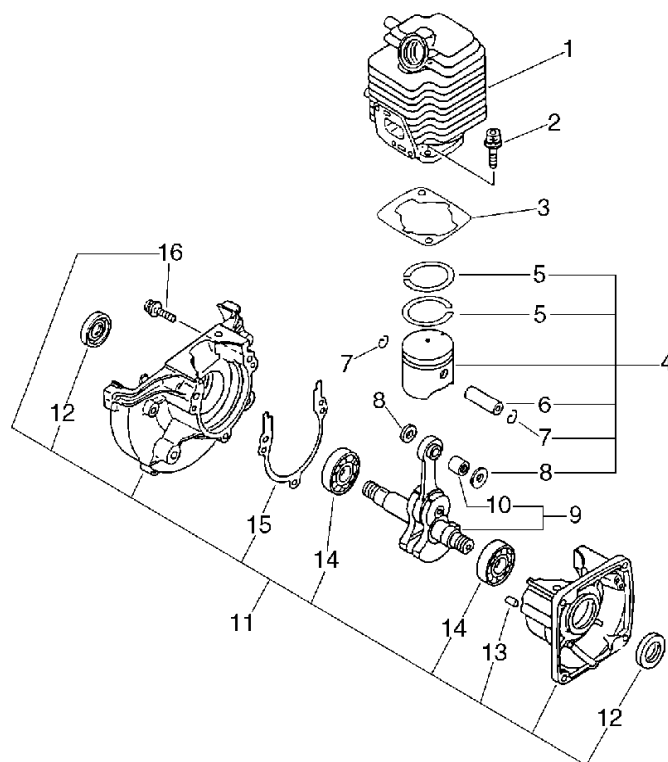
No.1



KEY	LV	PART NUMBER	Q'TY	DESCRIPTION	REMARKS	NOTE1	NOTE2
1		101011-08961	1	CYLINDER (CR)			
2		900162-05022	2	BOLT, H.S. 5*22	5*22 W,SW		
3		101010-44332	1	GASKET, CYL. BASE			
4		100000-09563	1	PISTON KIT			
5	+	100011-09560	2	RING, PISTON			
6	+	100013-11520	1	PIN, PISTON			
7	+	100015-04630	2	CIRCLIP, PISTON PIN			
8	+	100014-11520	2	SPACER, PISTON PIN			
9		100100-44732	1	CRANKSHAFT ASSY		Sus. by A011-000100	
9		A011-000100	1	CRANKSHAFT,ASM		Sr/Nr 009346 and before	
9		A011-000160	1	CRANKSHAFT,ASM		Sr/Nr 009347 and after	
10	+	100012-51230	1	BEARING, NEEDLE	8*12*10	Sus. by V553-000010	
10	+	V553-000010	1	BEARING,NEEDLE 8	HK0810		
11		100204-52130	1	CRANKCASE KIT		Sus. by 100204-52132	
11		100204-52131	1	CRANKCASE KIT		Sus. by 100204-52132	
11		100204-52132	1	CRANKCASE KIT			
12	+	100212-42030	2	OILSEAL	ISCD12*22*4.5	Sus. by 100212-42031	
12	+	100212-42031	2	OILSEAL	ISCD 12*22*4.5		

1. Cylinder, Crankcase, Piston

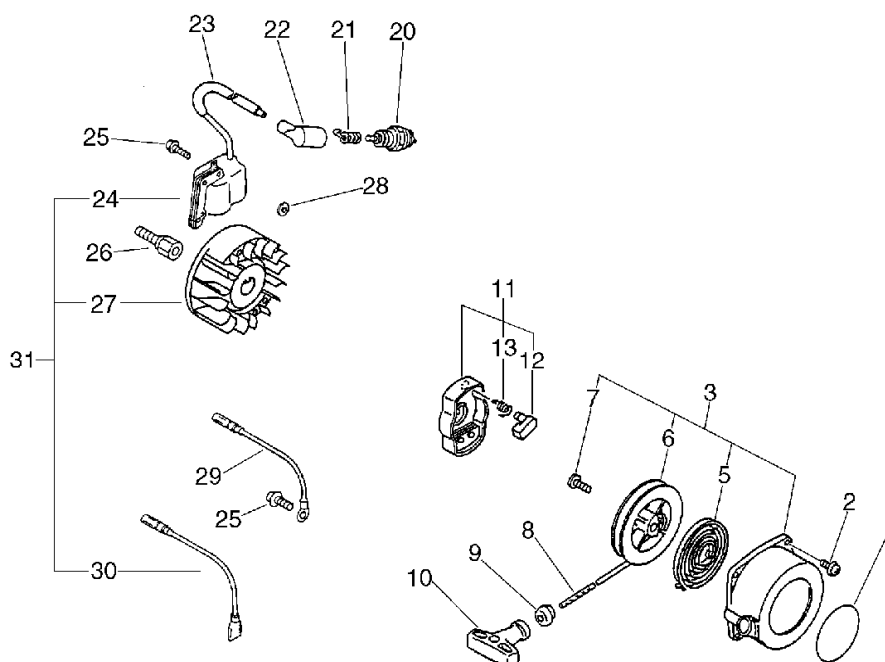
No.1



KEY	LV	PART NUMBER	Q'TY	DESCRIPTION	REMARKS	NOTE1	NOTE2
13	+	100215-03930	2	PIN, DOWEL			
14	+	900810-36201	2	BEARING, BALL 6201	6201/C3	Sus. by 94035-36201	
14	+	94035-36201	2	BEARING BALL	6201X3JR2C3		
15	+	100242-42030	1	GASKET, CRANKCASE			
16	+	900162-05028	3	BOLT, H.S. 5*28	5*28 W,SW		

2. Starter, Magneto

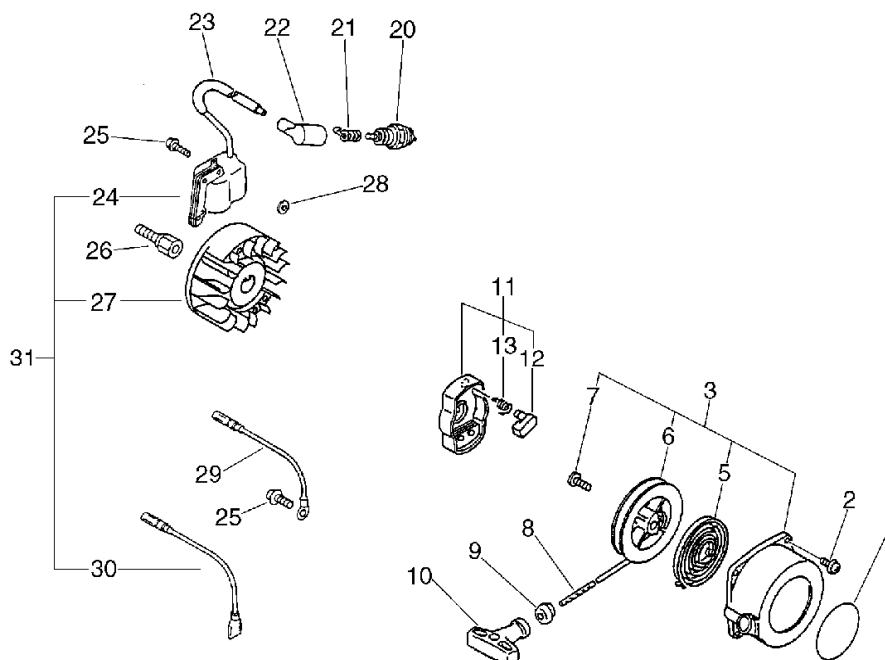
No.2



KEY	LV	PART NUMBER	Q'TY	DESCRIPTION	REMARKS	NOTE1	NOTE2
1		890118-49130	1	LABEL, ECHO			
2		900162-04016	4	BOLT, H.S. 4*16	4*16 W,SW	Sus. by 900163-04016	
2		900163-04016	4	BOLT HSH			
3		177200-42033	1	STARTER ASSY			
5	+	177220-42030	1	SPRING, REWIND			
6	+	177215-44430	1	DRUM, STARTER			
7	+	177236-44330	1	SCREW			
8	+	177226-10120	1	ROPE, STARTER	3.0*1000		
9	+	177227-42030	1	GUIDE, ROPE			
10	+	177228-06530	1	GRIP, STARTER			
11		177202-44330	1	PAWL ASSY, STARTER		Sr/Nr 009346 and before	
11		A052-000060	1	PULLEY,ASM STARTER		Sus. by A052-000061	
11		A052-000061	1	PULLEY,ASM STARTER		Sr/Nr 009347 and after	
12	+	177218-44330	1	PAWL, STARTER	BLACK		
13	+	177234-42030	1	SPRING, RETURN			
13	+	177234-12220	1	SPRING, PAWL		Can be used on the A052-000060 only	
20		159017-10230	1	PLUG, SPARK (RCJ-7Y)	RCJ-7Y		
21		159011-03432	1	COIL, SPARK PLUG			
22		159012-03433	1	CAP, SPARK PLUG			
23		156611-05060	1	TUBE	6*8*150		

2. Starter, Magneto

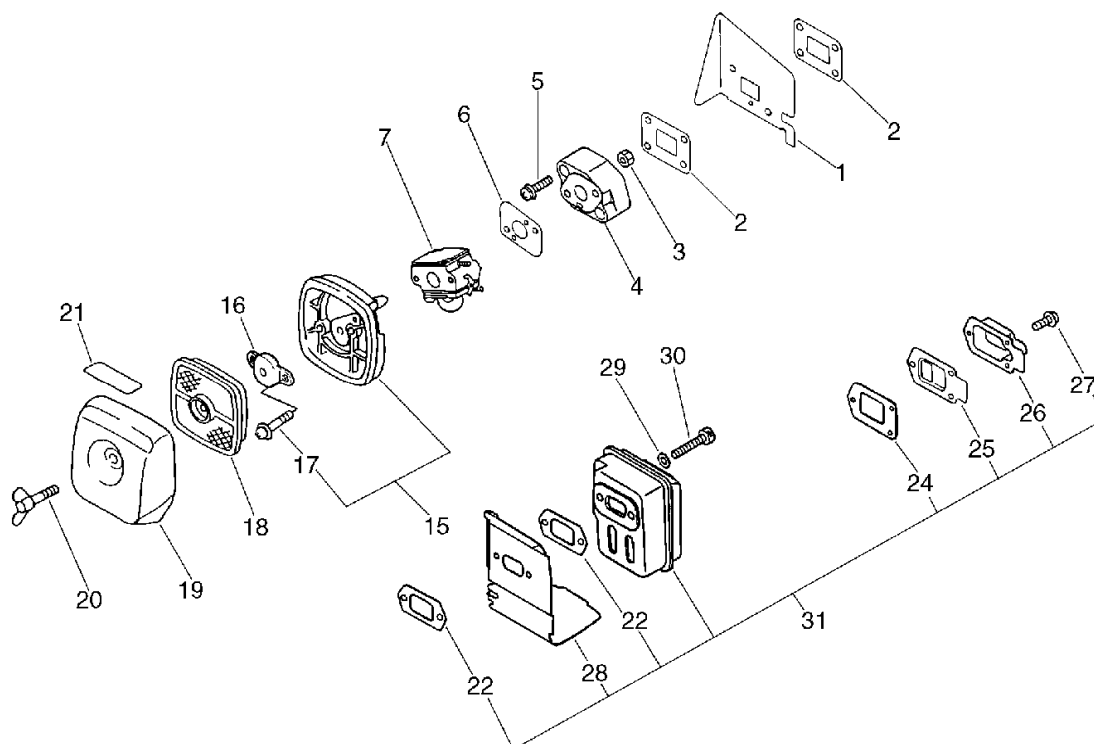
No.2



KEY	LV	PART NUMBER	Q'TY	DESCRIPTION	REMARKS	NOTE1	NOTE2
24		158626-06361	1	COIL, IGNITION		Sr/Nr 005672 and before	
25		900162-04022	2	BOLT, H.S. 4*22	4*22 W,SW		
26		200011-05661	1	HUB, FAN			
27		158800-20560	1	ROTOR, MAGNETO		Sr/Nr 005672 and before	
28		101531-54330	2	COLLAR		Sr/Nr 005672 and before	
29		162021-20560	1	LEAD	130L		
30		162010-20560	1	LEAD, GROUND	130L	Sr/Nr 005672 and before	
31		P021-001180	1	MAGNETO ASY			
24	+	A411-000020	1	COIL,IGNITION		Sr/Nr 005673 and after	
27	+	A409-000000	1	ROTOR,MAGNETO		Sus. by A409-000100	
27	+	A409-000100	1	ROTOR,MAGNETO		Sr/Nr 005673 and after	
30	+	V485-000040	1	LEAD		Sr/Nr 005673 and after	

3. Air Cleaner, Muffler

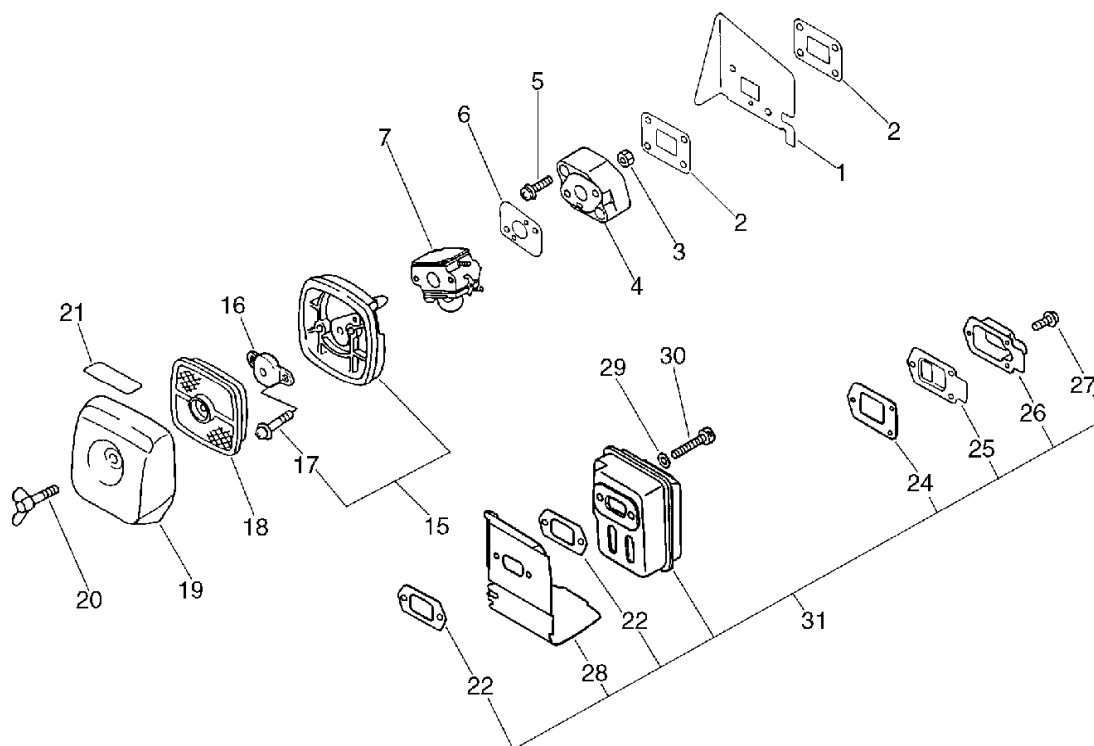
No.3



KEY	LV	PART NUMBER	Q'TY	DESCRIPTION	REMARKS	NOTE1	NOTE2
1		101514-20560	1	COVER, CYLINDER			
2		130010-09561	2	GASKET, INTAKE			
3		900500-00005	2	NUT 5	5		
4		130017-05062	1	INSULATOR, INTAKE			
5		900238-05022	2	SCREW 5*22	5*22		
6		130010-20560	1	GASKET, INTAKE			
7		125200-09560	1	CARBURETOR ASSY	C1UK44A	Sus. by 125200-09562	
7		125200-09561	1	CARBURETOR	C1U-K44B	Sus. by 125200-09562	
7		125200-09562	1	CARBURETOR	C1U-K44B		
15		130307-06561	1	CASE, AIR CLEANER		Sus. by P021-002921	
15		P021-002921	1	CASE, AIR CLEANER			
17	+	900242-05065	2	SCREW 5*65	5*65		
16		129011-52730	1	PLATE, PREVENT			
18		130310-54130	1	FILTER, AIR			
19		130313-06563	1	LID, AIR CLEANER			
20		210417-52730	1	BOLT, WING	5*20		
21		890121-05360	1	LABEL, METERING			
31		145802-05063	1	MUFFLER ASSY (SAM)			
22	+	145510-42031	2	GASKET, MUFFLER		Sus. by V104-000160	
22	+	V104-000160	2	GASKET, EXHAUST			
24	+	145866-42031	1	GASKET, MUFFLER LID			
25	+	145876-42030	1	LID, MUFFLER (B)			

3. Air Cleaner, Muffler

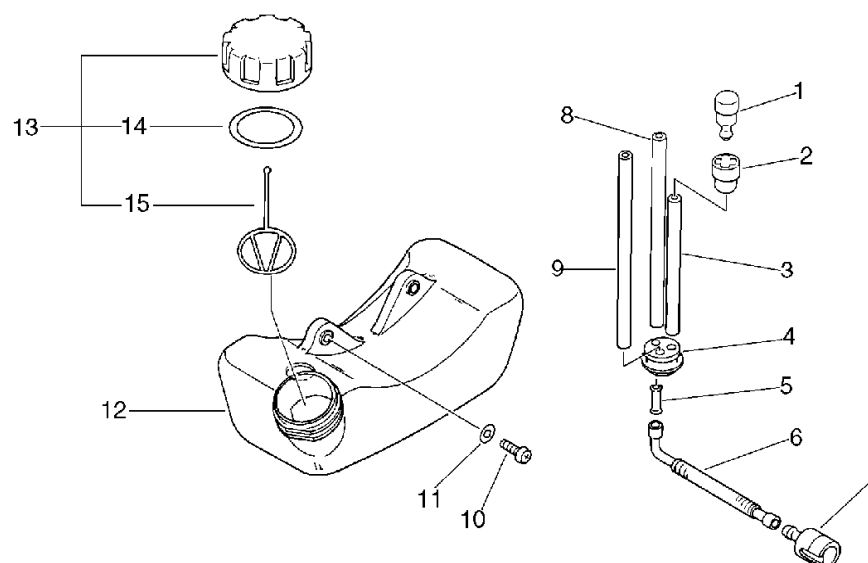
No.3



KEY	LV	PART NUMBER	Q'TY	DESCRIPTION	REMARKS	NOTE1	NOTE2
26	+	145876-05061	1	PLATE			
27	+	900242-04010	3	SCREW 4*10	4*10		
28	+	145871-05760	1	COVER, MUFFLER			
29		900603-00005	2	WASHER 5	5.5*12*0.8		
30		900105-05055	2	BOLT, H.S. 5*55	5*55		

4. Fuel Tank

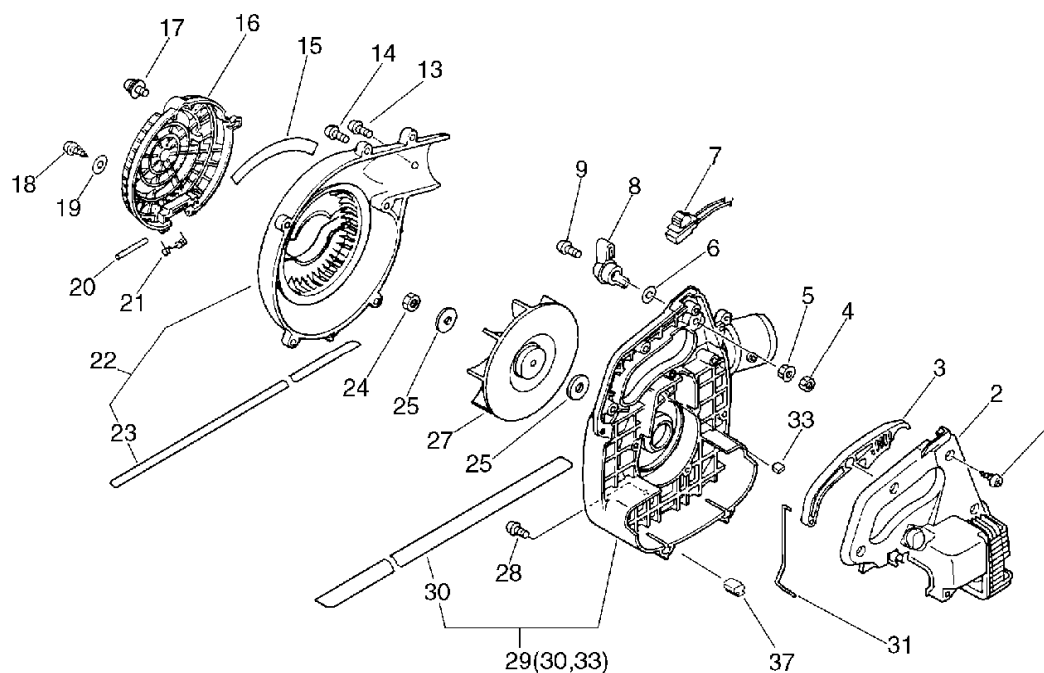
No.4



KEY	LV	PART NUMBER	Q'TY	DESCRIPTION	REMARKS	NOTE1	NOTE2
1		131300-56430	1	VALVE, CHECK		Sus. By A356-000030	
1		A356-000030	1	VALVE,CHECK			
2		131328-40630	1	COVER, VENT			
3		131312-39130	1	PIPE	3*5*70(+3)NBR	Sus. By V471-001200	
3		V471-001200	1	PIPE	3*5*70 NBR		
4		132115-46730	1	GROMMET, FUEL		Sus. By V137-000030	
4		V137-000030	1	GROMMET,FUEL			
5		132011-03360	1	CONNECTOR, FUEL PIPE			
6		132012-12360	1	PIPE, FUEL			
7		131205-07320	1	STRAINER, FUEL			
8		437210-11131	1	PIPE 3*5*90 NBR	3*5*90 NBR	Sus. By V471-001210	
8		V471-001210	1	PIPE	3*5*90 NBR		
9		132010-56330	1	PIPE 3*6*90	3*6*90 YL		
10		900238-05016	2	SCREW 5*16	5*16		
11		900603-00005	2	WASHER 5	5.5*12*0.8		
12		131005-20560	1	TANK, FUEL		Sus. by 131005-20561	
12		131005-20561	1	TANK, FUEL			
13		131004-55530	1	CAP ASSY, FUEL TANK			
14	+	131016-55830	1	GASKET, FUEL CAP			
15	+	131051-56030	1	CLIP, FUEL CAP	100L		

5. Fan Case

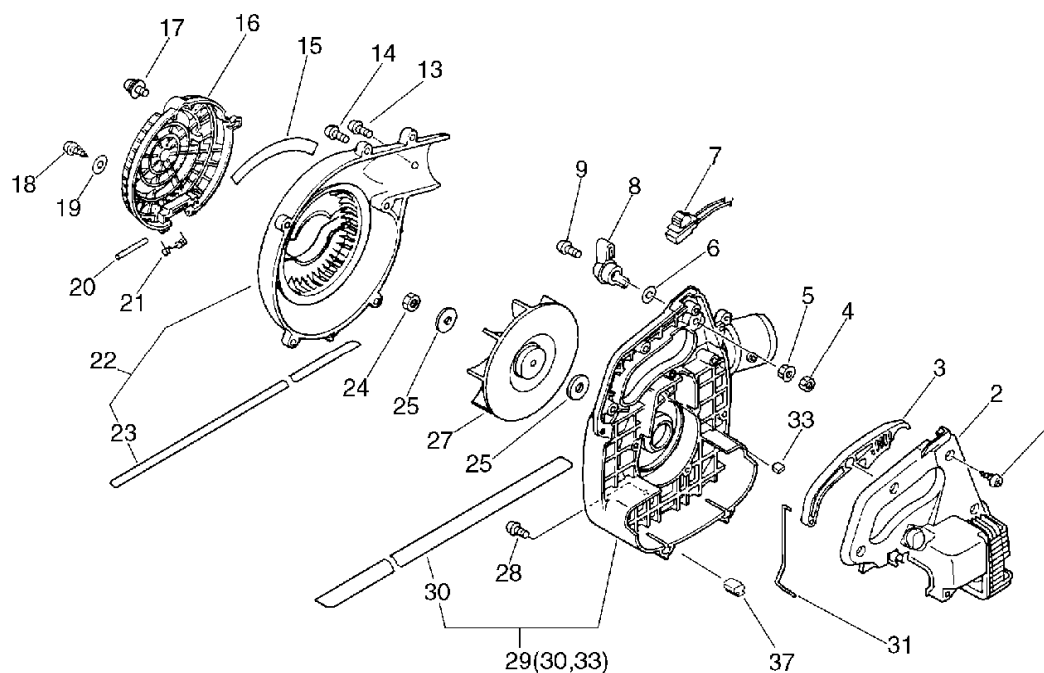
No.5



KEY	LV	PART NUMBER	Q'TY	DESCRIPTION	REMARKS	NOTE1	NOTE2
1		900253-05020	5	SCREW 5*20	5*20		Sus. by 900253-05020 Q'ty:7
1		900253-05020	7	SCREW 5*20	5*20		Can be used on 104012-20561 only
2		104012-20560	1	COVER			Sus. by 104012-20561
2		104012-20561	1	COVER			
3		178010-20560	1	CONTROL, THROTTLE			
4		900502-00005	1	NUT 5 (3N)	3N5		
5		900516-00005	1	NUT, FRANGE 5	5		
6		900603-00005	1	WASHER 5	5.5*12*0.8		
7		163401-20560	1	SWITCH, IGNITION			Sus. by 163401-20561
7		163401-20561	1	SWITCH, IGNITION			
8		178054-20560	1	CONTROL, THROTTLE			
9		900238-05025	1	SCREW 5*25	5*25		
13		900256-05010	1	SCREW, TAPPING			
14		900253-05020	6	SCREW 5*20	5*20		
15		890034-09560	1	LABEL, MODEL			
16		200124-20660	1	GRID, FAN CASE			Sus. by 200124-20661
16		200124-20661	1	GRID, FAN CASE			
17		900238-05022	1	SCREW 5*22	5*22		Sus. by V203-000060

5. Fan Case

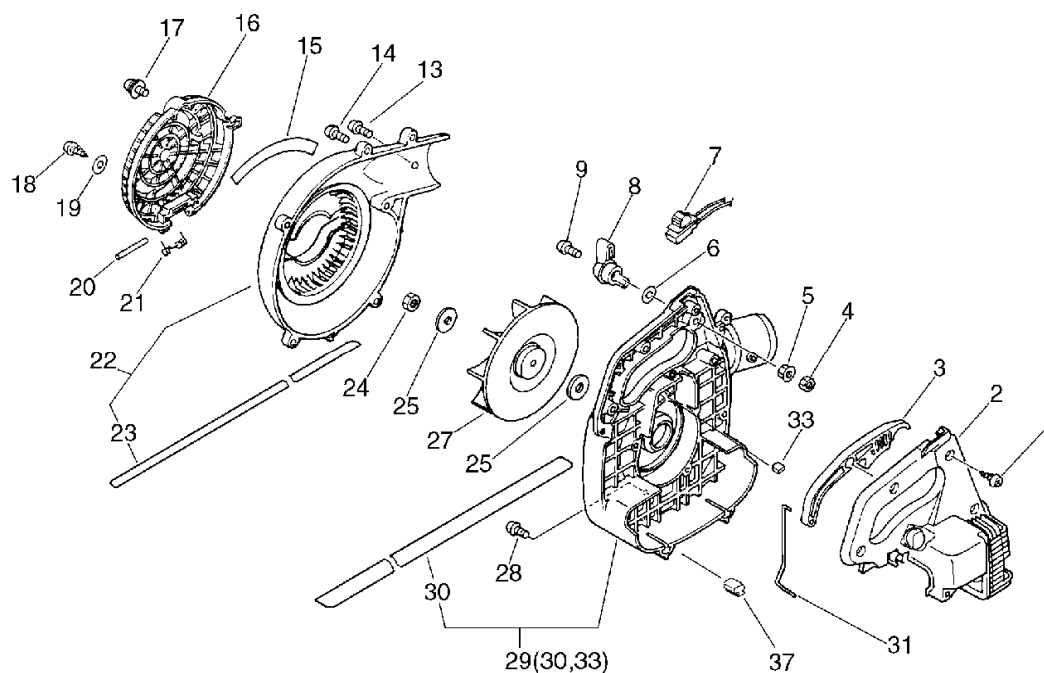
No.5



KEY	LV	PART NUMBER	Q'TY	DESCRIPTION	REMARKS	NOTE1	NOTE2
17		V203-000060	1	BOLT,5			
18		900253-05014	1	SCREW 5*14	5*14		
19		900603-00005	1	WASHER 5	5.5*12*0.8		
20		200150-05060	1	SHAFT, GRID			
21		200152-05060	1	SPRING, GRID			
22		200109-20661	1	CASE, FAN		Sus. by 200111-20664	
22		200109-20662	1	CASE, FAN		Sus. by 200111-20664	
22		200111-20663	1	CASE, FAN		Sus. by 200111-20664	
22		200111-20664	1	CASE, FAN			
23	+	220120-20560	1	CUSHION		Sus. by 220120-20561	
23	+	220120-20561	1	CUSHION		Can be used on 200109-20661 - 20662 only	
24		900500-00008	1	NUT 8	8*P1.25		
25		100132-05660	2	WASHER	8.2*30*3.0		
27		200010-06362	1	FAN		Sus. by 200010-06363	
27		200010-06363	1	FAN			
28		900162-04022	4	BOLT, H.S. 4*22	4*22 W,SW		
29		200108-20661	1	CASE, FAN		Sus. by P021-003703	

5. Fan Case

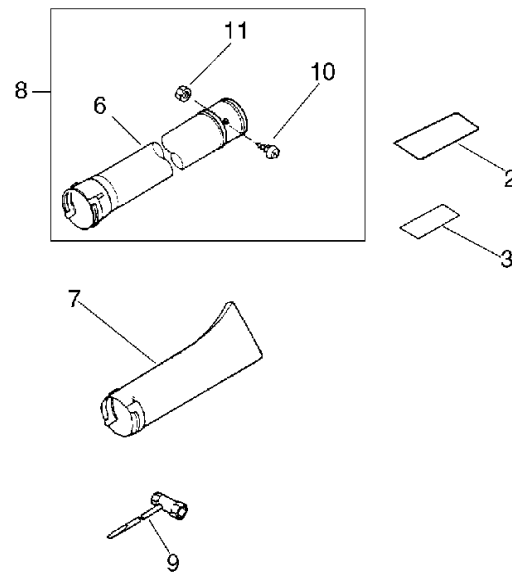
No.5



KEY	LV	PART NUMBER	Q'TY	DESCRIPTION	REMARKS	NOTE1	NOTE2
29		200108-20662	1	CASE, FAN		Sus. by P021-003703	
29		P021-003700	1	CASE, FAN(W/PLUG)		Sus. by P021-003703	
29		P021-003702	1	CASE, FAN(W/PLUG)		Sus. by P021-003703	
29		P021-003703	1	CASE, FAN(W/PLUG)			
30	+	220120-20660	1	CUSHION		Sus. by 220120-20661	
30	+	220120-20661	1	CUSHION		Can be used on the P021-003702 only	
33	+	101538-28230	1	GROMMET, PLUG			
31		178011-20560	1	ROD, THROTTLE		Sus. by 178011-20561	
31		178011-20561	1	ROD, THROTTLE			
37		351335-20560	2	CUSHION			

6. Pipe, Tool

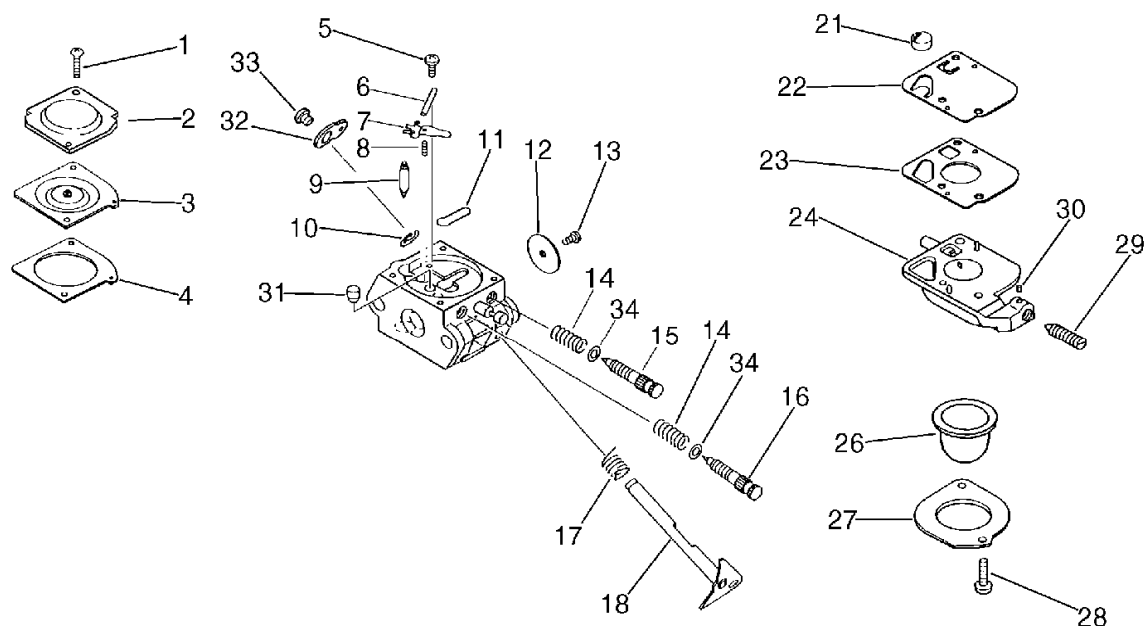
No.6



KEY	LV	PART NUMBER	Q'TY	DESCRIPTION	REMARKS	NOTE1	NOTE2
2		890160-09460	1	LABEL, CAUTION		Sus. by 890160-09461	
2		890160-09461	1	LABEL, CAUTION			
3		890160-06360	1	LABEL, CAUTION		Sus. by 890160-06361	
3		890160-06361	1	LABEL, CAUTION			
6		210015-05060	1	PIPE, STRAIGHT (BL)		Sus. by 210007-20660	
8		210007-20660	1	PIPE, BLOWER			
10	+	900238-05010	1	SCREW 5*10	5*10		
11	+	900500-00005	1	NUT 5	5		
7		210014-20560	1	PIPE, BLOWER		Sus. by 210014-20660	
7		210014-20660	1	PIPE, STRAIGHT			
9		895410-00430	1	WRENCH, W/S. DRIVER			

7. Carburetor

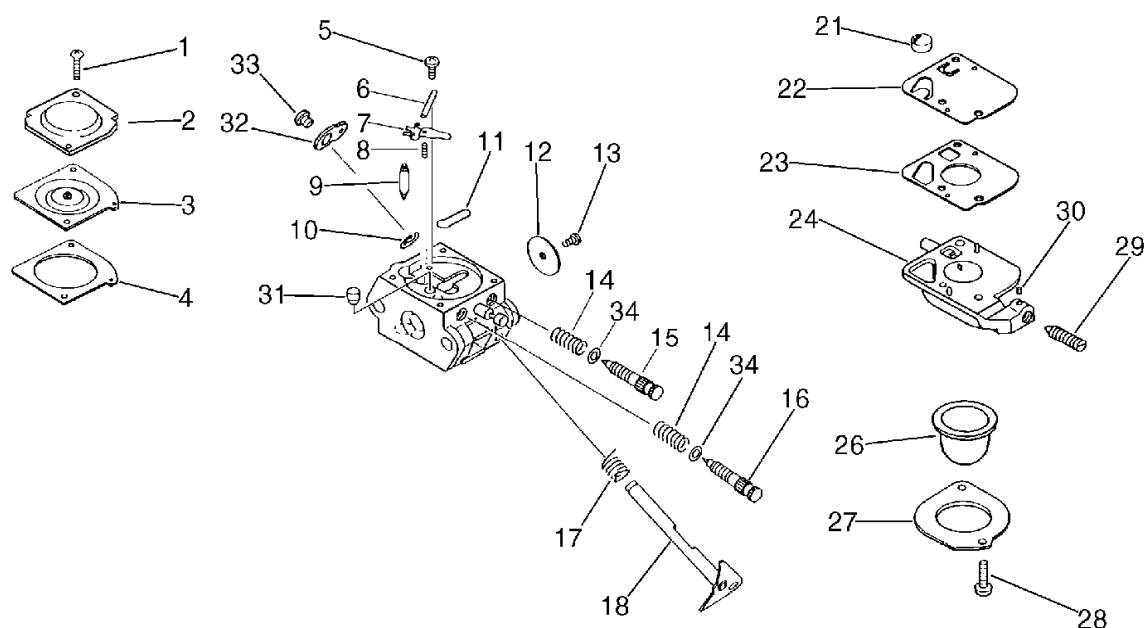
No.7



KEY	LV	PART NUMBER	Q'TY	DESCRIPTION	REMARKS	NOTE1	NOTE2
		125200-09560	1	CARBURETOR ASSY	C1UK44A	Sus. by 125200-09562	
		125200-09561	1	CARBURETOR	C1U-K44B	Sus. by 125200-09562	
		125200-09562	1	CARBURETOR	C1U-K44B		
1	+	125344-52130	2	SCREW			
2	+	125342-07360	1	COVER, DIAPHRAGM			
3	+	125341-34530	1	DIAPHRAGM			
4	+	125340-20560	1	GASKET, DIAPHRAGM			
5	+	125339-42030	1	SCREW			
6	+	125338-13930	1	PIN, METERING ARM			
7	+	125323-42030	1	LEVER, METERING			
8	+	125322-07260	1	SPRING, COIL			
9	+	125337-06960	1	VALVE, INLET NEEDLE			
10	+	125327-13930	1	CLIP			
11	+	125345-15130	1	PLUG, WELCH			
12	+	125316-20560	1	VALVE, THROTTLE		Sr/Nr 007111 and before	
12	+	125316-53130	1	VALVE, THROTTLE		Sr/Nr 007112 and after	
13	+	125314-13930	1	SCREW	3*4		
14	+	125319-42030	2	SPRING, COIL		Sr/Nr 007111 and before	
15	+	125318-09560	1	NEEDLE, IDLE		Sr/Nr 007111 and before	

7. Carburetor

No.7



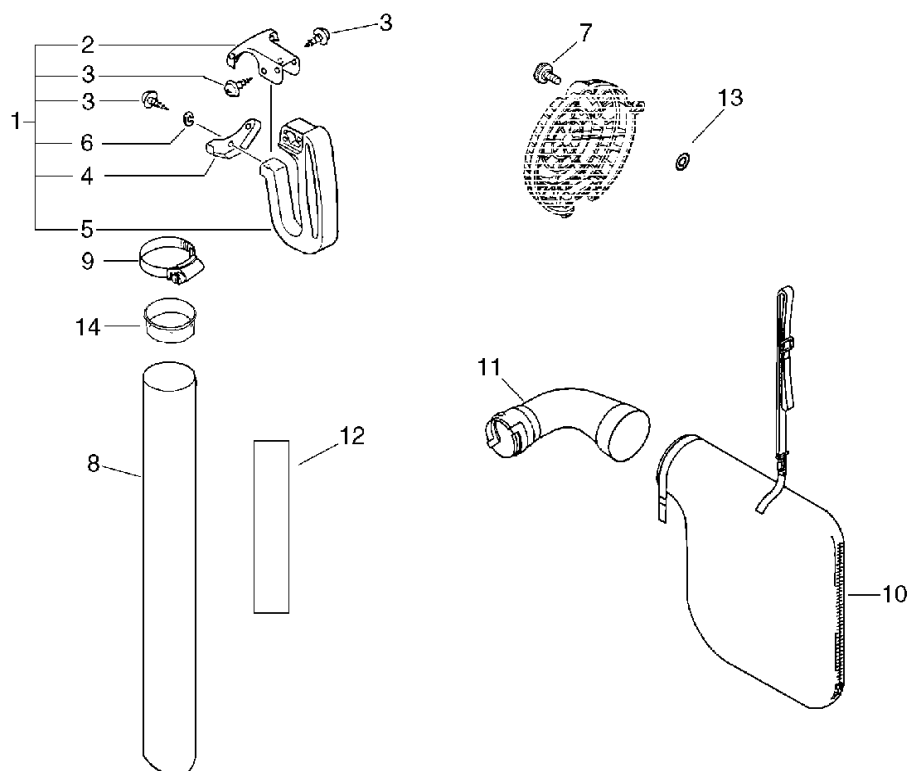
KEY	LV	PART NUMBER	Q'TY	DESCRIPTION	REMARKS	NOTE1	NOTE2
15	+	P005-000450	1	SCREW ASY IDLE MIX.		Sr/Nr 007112 and after	
16	+	125320-20560	1	NEEDLE, HIGH SPEED		Sr/Nr 007111 and before	
16	+	125320-13310	1	NEEDLE, HIGH SPEED		Sr/Nr 007112 and after	
17	+	125313-08560	1	SPRING, THRT. RETURN			
18	+	125317-06860	1	SHAFT, THROTTLE			
21	+	125326-42030	1	STRAINER			
22	+	125312-12820	1	DIAPHRAGM, FUEL PUMP			
23	+	125325-13310	1	GASKET, PUMP			
24	+	125383-13310	1	BASE, PRIMER		Sus. by P005-000990	
24	+	P005-000990	1	BASE, PRIMER			
26	+	125381-08660	1	PUMP, PRIMING			
27	+	125363-11610	1	RING			
28	+	125310-11610	1	SCREW			
29	+	125334-06860	1	SCREW, IDLE ADJUST			
30	+	125378-13930	1	PIECE, FRICTION			
31	+	125376-07360	1	NOZZLE, CHECK VALVE			
32	+	125350-20560	1	LEVER, THROTTLE			
33	+	125348-13930	1	SCREW			
34	+	125353-20560	2	WASHER		Sr/Nr 007111 and before	
		125303-20560	1	GASKET/DIAPHRAGM KIT			
		125300-20560	1	REBUILD KIT			

8. Repair Kit

KEY	LV	PART NUMBER	Q'TY	DESCRIPTION	REMARKS	NOTE1	NOTE2
		125303-20560	1	GASKET/DIAPHRAGM KIT			
	+	125312-42030	1	DIAPHRAGM, FUEL PUMP			
	+	125325-13310	1	GASKET, PUMP			
	+	125341-34530	1	DIAPHRAGM			
	+	125340-20560	1	GASKET, DIAPHRAGM			
		125300-20560	1	REBUILD KIT			
	+	125337-06960	1	VALVE, INLET NEEDLE			
	+	125322-07260	1	SPRING, COIL			
	+	125323-42030	1	LEVER, METERING			
	+	125338-13930	1	PIN, METERING ARM			
	+	125326-42030	1	STRAINER			
	+	125345-15130	1	PLUG, WELCH			
	+	125312-42030	1	DIAPHRAGM, FUEL PUMP			
	+	125325-13310	1	GASKET, PUMP			
	+	125341-34530	1	DIAPHRAGM			
	+	125340-20560	1	GASKET, DIAPHRAGM			

9. Vacuum Attachment

No.9 Vacuum Attachment PBAV-1000



KEY	LV	PART NUMBER	Q'TY	DESCRIPTION	REMARKS	NOTE1	NOTE2
1		351000-05060	1	HANDLE ASSY, REAR			
2	+	351011-05060	1	SUPPORTER HANDLE			
3	+	900253-05014	3	SCREW 5*14	5*14		
4	+	351028-05060	1	SUPPORTER, HANDLE			
5	+	351010-05060	1	HANDLE (BL)			
6	+	900605-00005	1	WASHER, SPRING 5	5		
7		130406-06360	1	KNOB, FASTENER		Sus. by 130406-20660	
7		130406-20660	1	THUMB			
8		210027-06562	1	PIPE, SUCTION	115*880		
9		210413-05060	1	CLAMP, FLEXIBLE PIPE			
10		880814-09460	1	BAG, DUST(W/HARNESS)			
11		215012-05060	1	CONNECTOR (BL)			
12		890118-04261	2	LABEL, ECHO			
14		385155-09660	1	SLEEVE			

Index

Patrs Number	Key No.	Patrs Number	Key No.	Patrs Number	Key No.
100000-09563	1 - 4	125325-13310	7 - 23	132011-03360	4 - 5
100011-09560	1 - 5	125325-13310	8 -	132012-12360	4 - 6
100012-51230	1 - 10	125325-13310	8 -	132115-46730	4 - 4
100013-11520	1 - 6	125326-42030	7 - 21	145510-42031	3 - 22
100014-11520	1 - 8	125326-42030	8 -	145802-05063	3 - 31
100015-04630	1 - 7	125327-13930	7 - 10	145866-42031	3 - 24
100100-44732	1 - 9	125334-06860	7 - 29	145871-05760	3 - 28
100132-05660	5 - 25	125337-06960	7 - 9	145876-05061	3 - 26
100204-52130	1 - 11	125337-06960	8 -	145876-42030	3 - 25
100204-52131	1 - 11	125338-13930	7 - 6	156611-05060	2 - 23
100204-52132	1 - 11	125338-13930	8 -	158626-06361	2 - 24
100212-42030	1 - 12	125339-42030	7 - 5	158800-20560	2 - 27
100212-42031	1 - 12	125340-20560	7 - 4	159011-03432	2 - 21
100215-03930	1 - 13	125340-20560	8 -	159012-03433	2 - 22
100242-42030	1 - 15	125340-20560	8 -	159017-10230	2 - 20
101010-44332	1 - 3	125341-34530	7 - 3	162010-20560	2 - 30
101011-08961	1 - 1	125341-34530	8 -	162021-20560	2 - 29
101514-20560	3 - 1	125341-34530	8 -	163401-20560	5 - 7
101531-54330	2 - 28	125342-07360	7 - 2	163401-20561	5 - 7
101538-28230	5 - 33	125344-52130	7 - 1	177200-42033	2 - 3
104012-20560	5 - 2	125345-15130	7 - 11	177202-44330	2 - 11
104012-20561	5 - 2	125345-15130	8 -	177215-44430	2 - 6
125200-09560	3 - 7	125348-13930	7 - 33	177218-44330	2 - 12
125200-09560	7 -	125350-20560	7 - 32	177220-42030	2 - 5
125200-09561	3 - 7	125353-20560	7 - 34	177226-10120	2 - 8
125200-09561	7 -	125363-11610	7 - 27	177227-42030	2 - 9
125200-09562	3 - 7	125376-07360	7 - 31	177228-06530	2 - 10
125200-09562	7 -	125378-13930	7 - 30	177234-12220	2 - 13
125300-20560	7 -	125381-08660	7 - 26	177234-42030	2 - 13
125300-20560	8 -	125383-13310	7 - 24	177236-44330	2 - 7
125303-20560	7 -	129011-52730	3 - 16	178010-20560	5 - 3
125303-20560	8 -	130010-09561	3 - 2	178011-20560	5 - 31
125310-11610	7 - 28	130010-20560	3 - 6	178011-20561	5 - 31
125312-12820	7 - 22	130017-05062	3 - 4	178054-20560	5 - 8
125312-42030	8 -	130307-06561	3 - 15	200010-06362	5 - 27
125312-42030	8 -	130310-54130	3 - 18	200010-06363	5 - 27
125313-08560	7 - 17	130313-06563	3 - 19	200011-05661	2 - 26
125314-13930	7 - 13	130406-06360	9 - 7	200108-20661	5 - 29
125316-20560	7 - 12	130406-20660	9 - 7	200108-20662	5 - 29
125316-53130	7 - 12	131004-55530	4 - 13	200109-20661	5 - 22
125317-06860	7 - 18	131005-20560	4 - 12	200109-20662	5 - 22
125318-09560	7 - 15	131005-20561	4 - 12	200111-20663	5 - 22
125319-42030	7 - 14	131016-55830	4 - 14	200111-20664	5 - 22
125320-13310	7 - 16	131051-56030	4 - 15	200124-20660	5 - 16
125320-20560	7 - 16	131205-07320	4 - 7	200124-20661	5 - 16
125322-07260	7 - 8	131300-56430	4 - 1	200150-05060	5 - 20
125322-07260	8 -	131312-39130	4 - 3	200152-05060	5 - 21
125323-42030	7 - 7	131328-40630	4 - 2	210007-20660	6 - 8
125323-42030	8 -	132010-56330	4 - 9	210014-20560	6 - 7

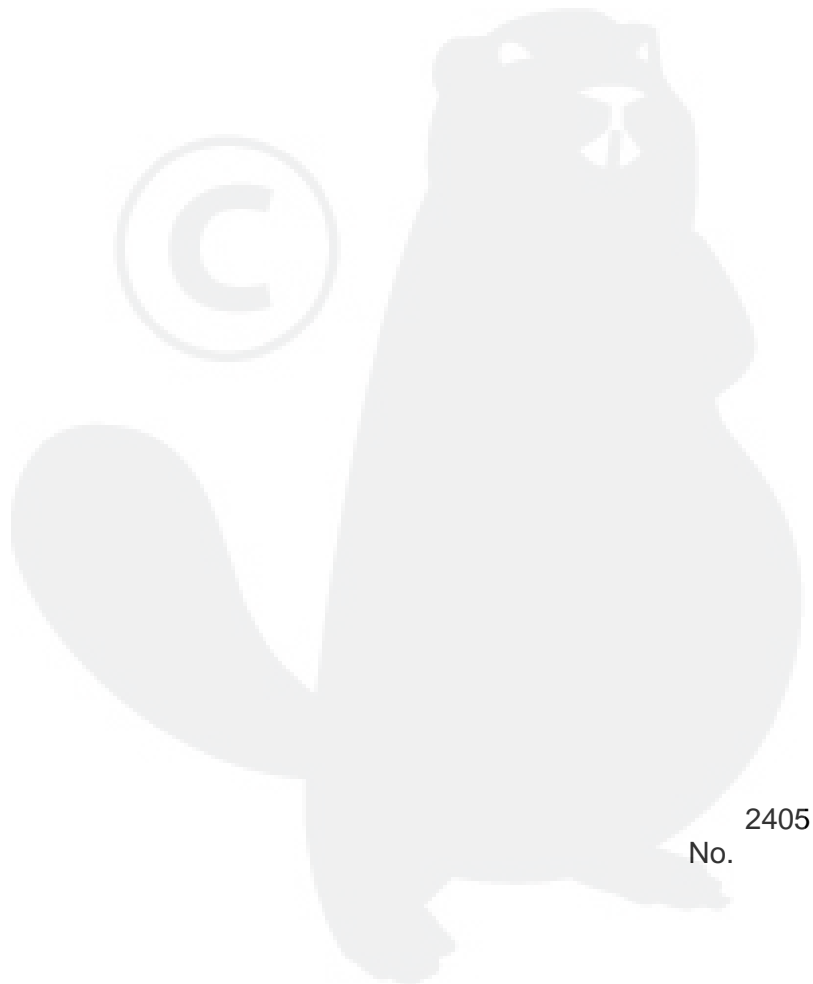
Index

Patrs Number	Key No.	Patrs Number	Key No.	Patrs Number	Key No.
210014-20660	6 - 7	900500-00008	5 - 24		
210015-05060	6 - 6	900502-00005	5 - 4		
210027-06562	9 - 8	900516-00005	5 - 5		
210413-05060	9 - 9	900603-00005	3 - 29		
210417-52730	3 - 20	900603-00005	4 - 11		
215012-05060	9 - 11	900603-00005	5 - 6		
220120-20560	5 - 23	900603-00005	5 - 19		
220120-20561	5 - 23	900605-00005	9 - 6		
220120-20660	5 - 30	900810-36201	1 - 14		
220120-20661	5 - 30	94035-36201	1 - 14		
351000-05060	9 - 1	A011-000100	1 - 9		
351010-05060	9 - 5	A011-000160	1 - 9		
351011-05060	9 - 2	A052-000060	2 - 11		
351028-05060	9 - 4	A052-000061	2 - 11		
351335-20560	5 - 37	A356-000030	4 - 1		
385155-09660	9 - 14	A409-000000	2 - 27		
437210-11131	4 - 8	A409-000100	2 - 27		
880814-09460	9 - 10	A411-000020	2 - 24		
890034-09560	5 - 15	P005-000450	7 - 15		
890118-04261	9 - 12	P005-000990	7 - 24		
890118-49130	2 - 1	P021-001180	2 - 31		
890121-05360	3 - 21	P021-002921	3 - 15		
890160-06360	6 - 3	P021-003700	5 - 29		
890160-06361	6 - 3	P021-003702	5 - 29		
890160-09460	6 - 2	P021-003703	5 - 29		
890160-09461	6 - 2	V104-000160	3 - 22		
895410-00430	6 - 9	V137-000030	4 - 4		
900105-05055	3 - 30	V203-000060	5 - 17		
900162-04016	2 - 2	V471-001200	4 - 3		
900162-04022	2 - 25	V471-001210	4 - 8		
900162-04022	5 - 28	V485-000040	2 - 30		
900162-05022	1 - 2	V553-000010	1 - 10		
900162-05028	1 - 16				
900163-04016	2 - 2				
900238-05010	6 - 10				
900238-05016	4 - 10				
900238-05022	3 - 5				
900238-05022	5 - 17				
900238-05025	5 - 9				
900242-04010	3 - 27				
900242-05065	3 - 17				
900253-05014	5 - 18				
900253-05014	9 - 3				
900253-05020	5 - 1				
900253-05020	5 - 1				
900253-05020	5 - 14				
900256-05010	5 - 13				
900500-00005	3 - 3				
900500-00005	6 - 11				

YAMABIKO CORPORATION

7-2 SUEHIROCHO 1-CHOME, OHME, TOKYO 198-8760, JAPAN
PHONE: 81-428-32-6118. FAX: 81-428-32-6145.

ECHO[®]



2405
No.