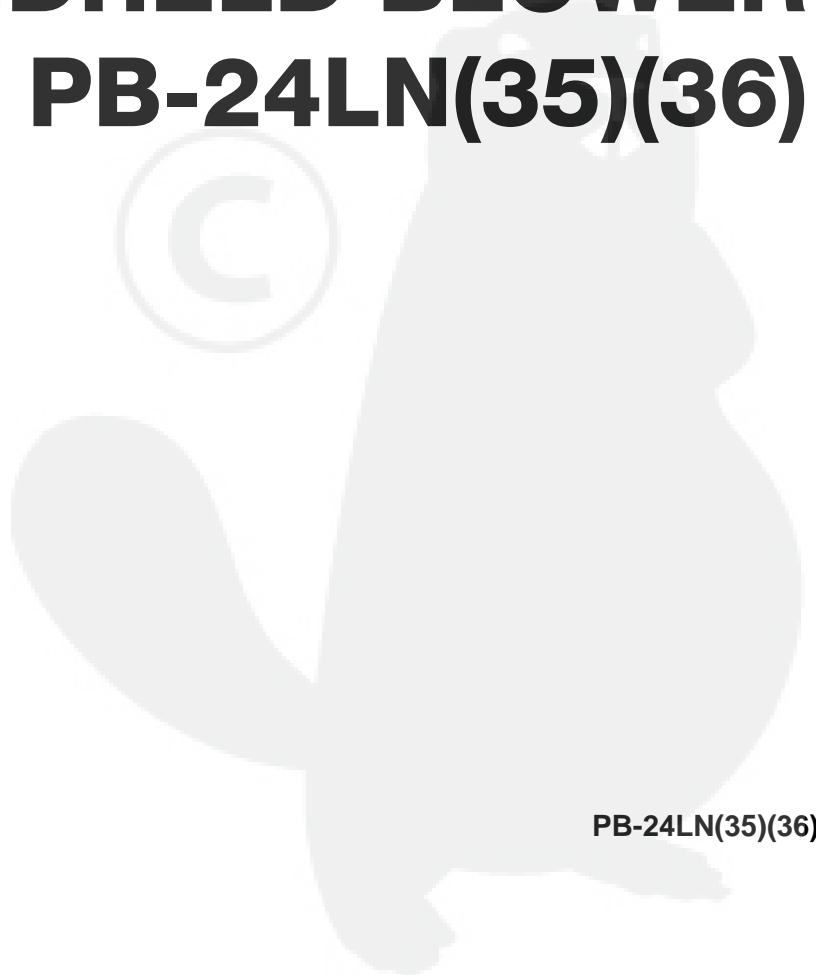




PARTS CATALOG

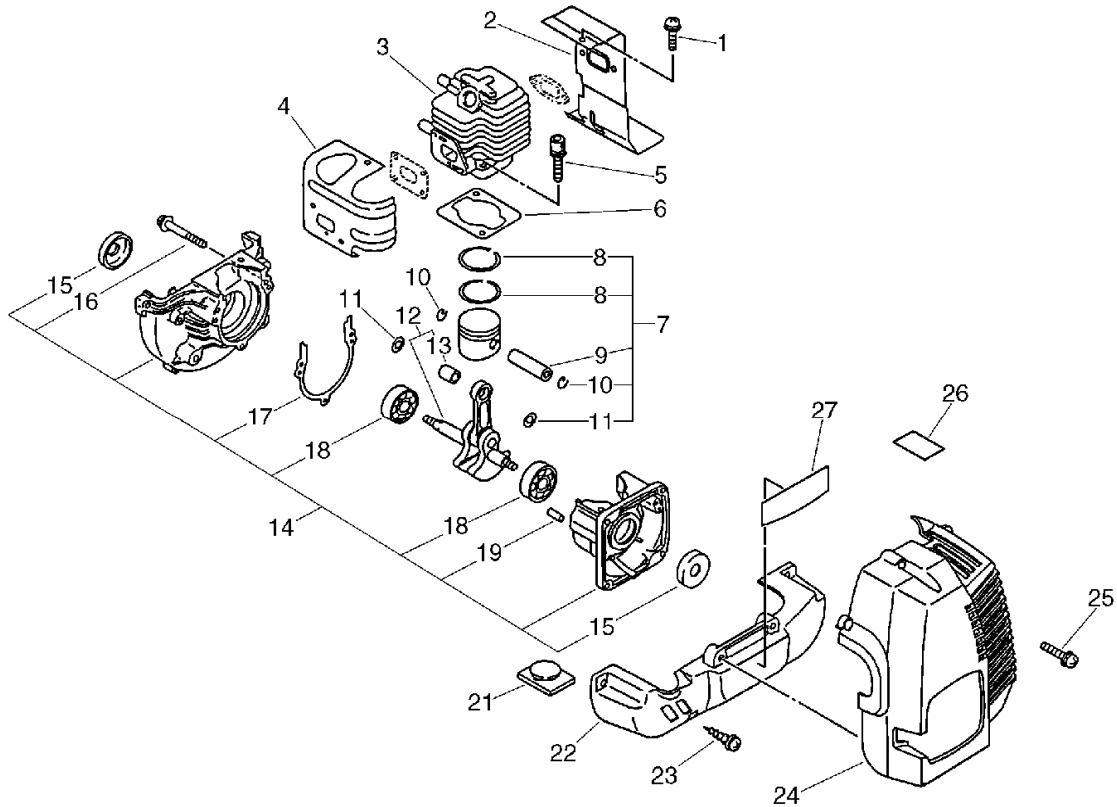
HANDHELD BLOWER

PB-24LN(35)(36)



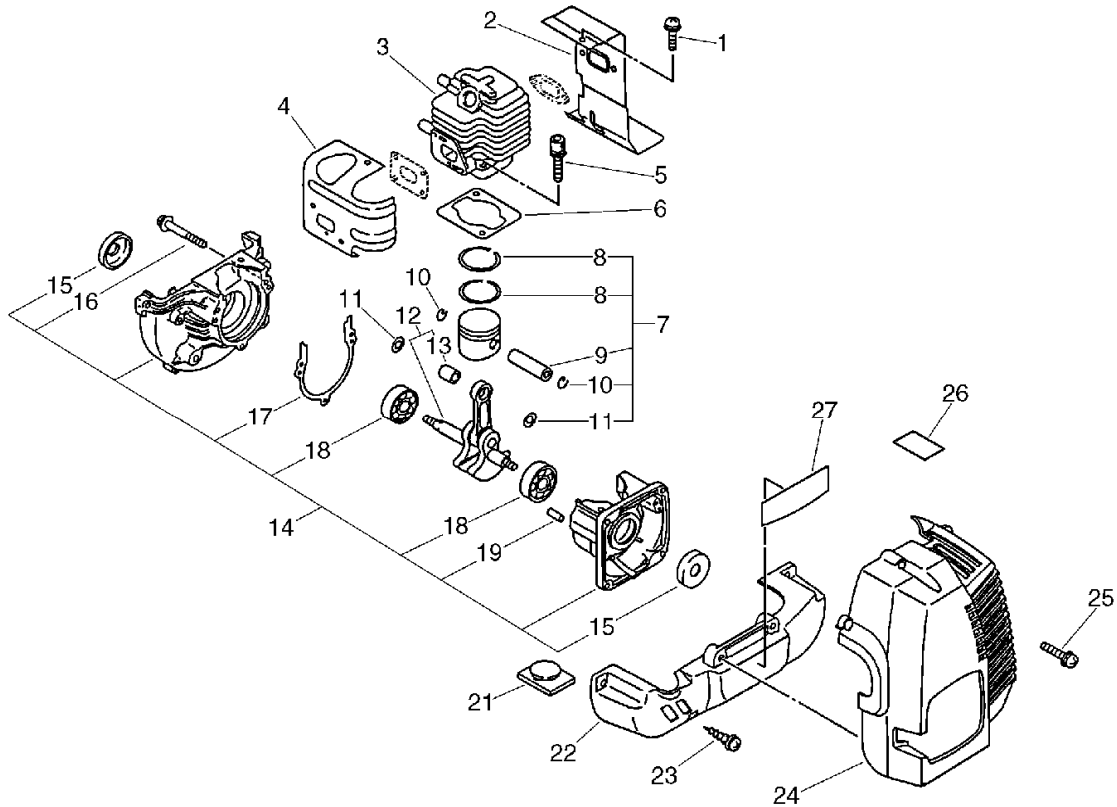
PB-24LN(35)(36)

1. Cylinder, Crankcase, Piston



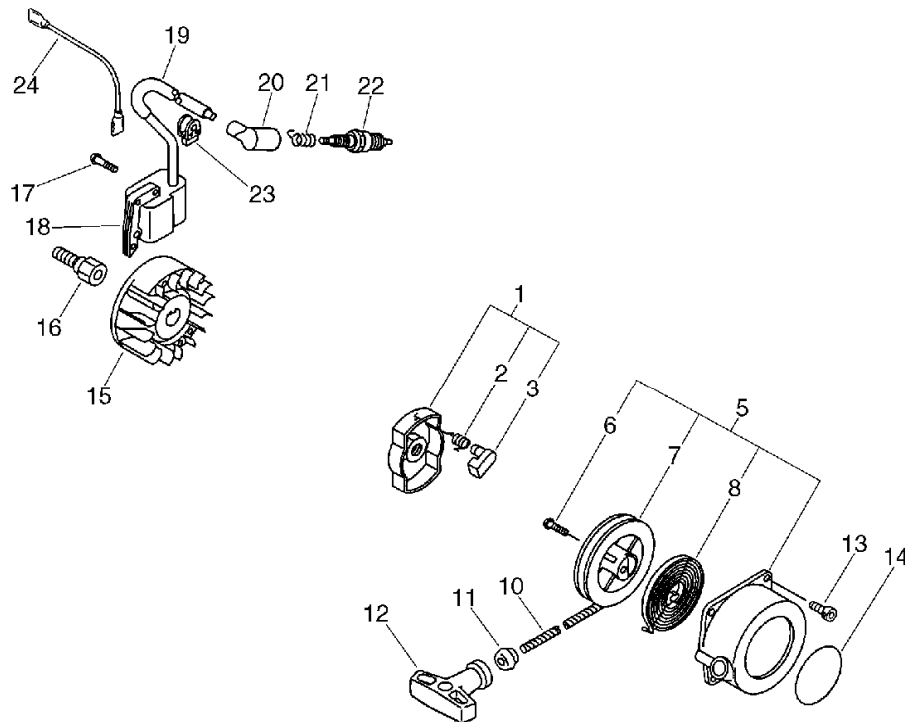
KEY	LV	PART NUMBER	Q'TY	DESCRIPTION	REMARKS	NOTE1	NOTE2
1		900238-05010	1	SCREW 5*10	5*10		
2		101576-09560	1	COVER, CYLINDER			
3		101011-08961	1	CYLINDER (CR)			
4		101514-09560	1	COVER, CYLINDER			
5		900162-05022	2	BOLT, H.S. 5*22	5*22 W,SW		
6		101010-44332	1	GASKET, CYL. BASE			
7		100000-09563	1	PISTON KIT			
8	+	100011-09560	2	RING, PISTON			
9	+	100013-11520	1	PIN, PISTON			
10	+	100015-04630	2	CIRCLIP, PISTON PIN			
11	+	100014-11520	2	SPACER, PISTON PIN			
12		100100-44732	1	CRANKSHAFT ASSY		Sus. by A011-000160	
12		A011-000100	1	CRANKSHAFT,ASM		Sus. by A011-000160	
12		A011-000160	1	CRANKSHAFT,ASM			
13	+	100012-51230	1	BEARING, NEEDLE	8*12*10	Sus. by V553-000010	
13	+	V553-000010	1	BEARING,NEEDLE 8	HK0810		
14		100204-52130	1	CRANKCASE KIT		Sus. by 100204-52132	
14		100204-52131	1	CRANKCASE KIT		Sus. by 100204-52132	
14		100204-52132	1	CRANKCASE KIT			
15	+	100212-42030	2	OILSEAL	ISCD12*22*4.5	Sus. by 100212-42031	

1. Cylinder, Crankcase, Piston



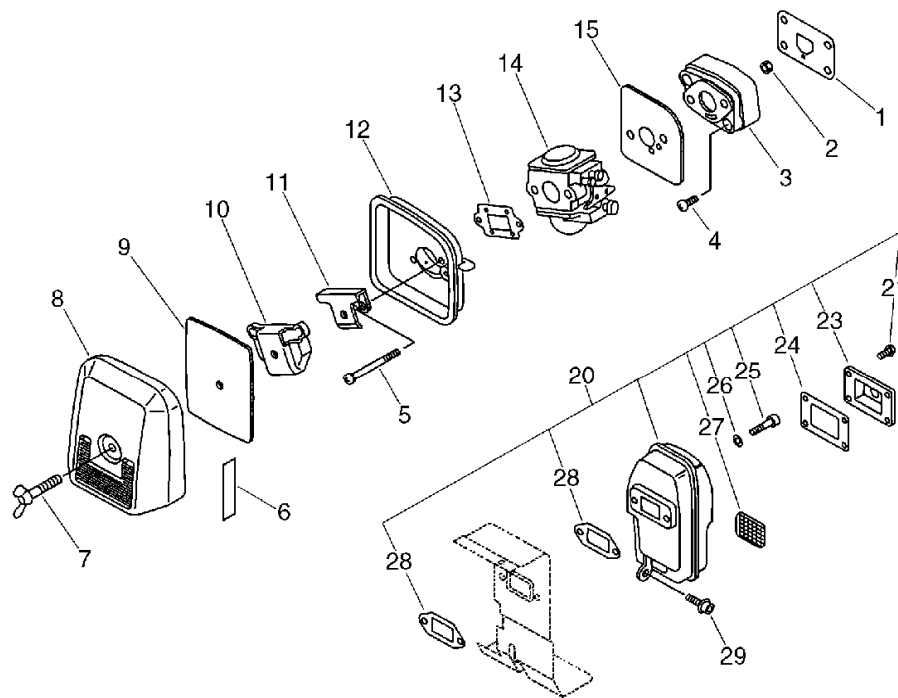
KEY	LV	PART NUMBER	Q'TY	DESCRIPTION	REMARKS	NOTE1	NOTE2
15	+	100212-42031	2	OILSEAL	ISCD 12*22*4.5		
16	+	900162-05028	3	BOLT, H.S. 5*28	5*28 W,SW		
17	+	100242-42030	1	GASKET, CRANKCASE			
18	+	900810-36201	2	BEARING, BALL 6201	6201/C3	Sus. by 94035-36201	
18	+	94035-36201	2	BEARING BALL	6201X3JR2C3		
19	+	100215-03930	2	PIN, DOWEL			
21		104910-09560	4	CUSHION			
22		104005-09563	1	COVER, ENGINE			
23		900253-05020	4	SCREW 5*20	5*20		
24		104016-09661	1	COVER, ENGINE			
25		900238-05016	3	SCREW 5*16	5*16		
26		890160-06360	1	LABEL, CAUTION		Sus. by 890160-06361	
26		890160-06361	1	LABEL, CAUTION			
27		890112-09660	1	LABEL, MODEL			

2. Starter, Magneto



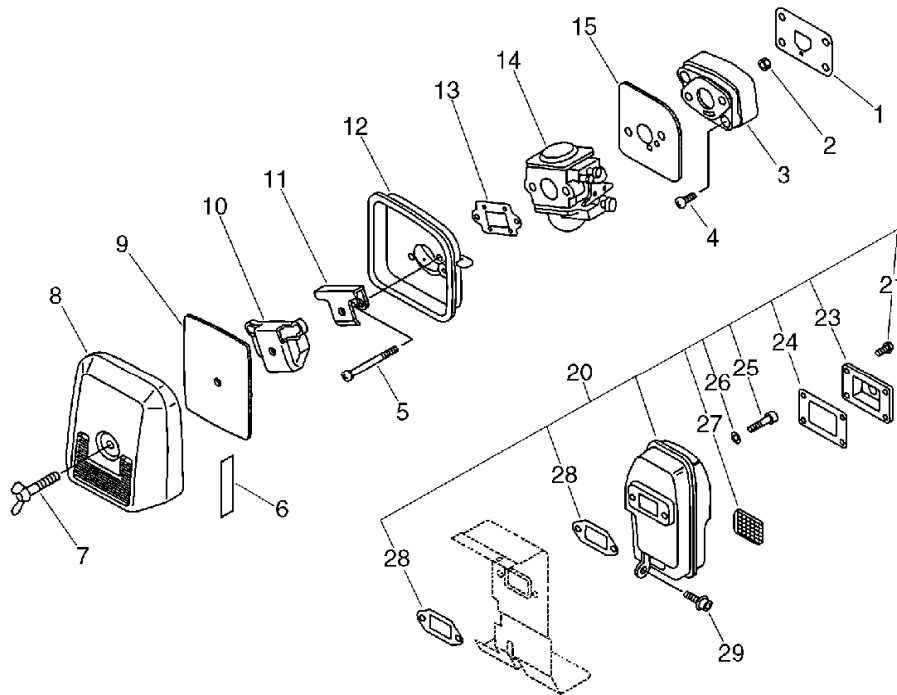
KEY	LV	PART NUMBER	Q'TY	DESCRIPTION	REMARKS	NOTE1	NOTE2
1		177202-44330	1	PAWL ASSY, STARTER		Sus. by 177202-44331	
1		177202-44331	1	PAWL ASM., STARTER			
2	+	177234-42030	1	SPRING, RETURN			
3	+	177218-44330	1	PAWL, STARTER	BLACK		
5		177200-09560	1	STARTER ASSY			
6	+	177236-44330	1	SCREW			
7	+	177215-05960	1	DRUM, STARTER			
8	+	177220-42030	1	SPRING, REWIND			
10	+	177226-05310	1	ROPE, STARTER			
11	+	177227-09560	1	GUIDE, ROPE			
12	+	177228-06530	1	GRIP, STARTER			
13		900163-04016	4	BOLT HSH			
14		890118-49330	1	LABEL, ECHO			
15		156801-09660	1	FLYWHEEL			
16		200011-05661	1	HUB, FAN			
17		900162-04022	2	BOLT, H.S. 4*22	4*22 W,SW		
18		156626-09660	1	COIL, IGNITION			
19		156611-05060	1	TUBE	6*8*150		
20		159012-03433	1	CAP, SPARK PLUG			
21		159011-03432	1	COIL, SPARK PLUG			
22		159010-10230	1	PLUG, SPARK (BPMR-7A)	BPMR-7A		
23		150112-05060	1	BUSHING			
24		162010-09660	1	LEAD, GROUND	170L		

3. Air Cleaner, Muffler



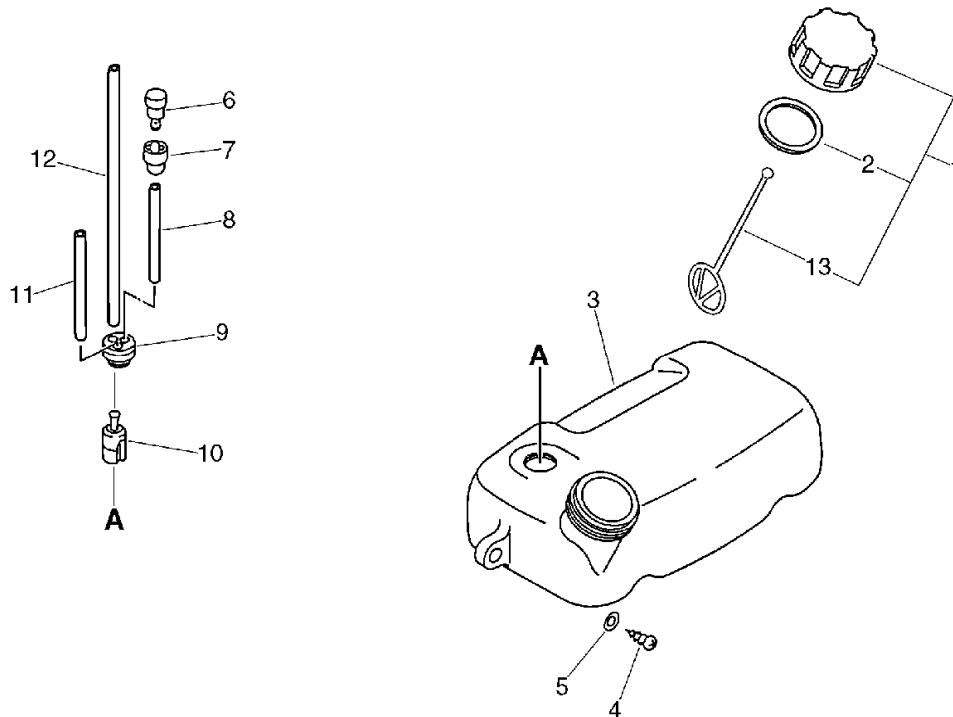
KEY	LV	PART NUMBER	Q'TY	DESCRIPTION	REMARKS	NOTE1	NOTE2
1		130010-09561	2	GASKET, INTAKE			
2		900500-00005	2	NUT 5	5		
3		130017-05062	1	INSULATOR, INTAKE			
4		900238-05022	2	SCREW 5*22	5*22		
5		900242-05057	2	SCREW 5*57	5*57		
6		890121-09560	1	LABEL, CHOKE			
7		210417-09560	1	BOLD, WING	5*24		
8		130313-09561	1	LID, CLEANER			
9		130310-51830	1	FILTER, AIR			
10		129011-09560	1	PLATE			
11		130422-09660	1	PLATE, PREVENT			
12		130307-09660	1	CASE ASSY, CLEANER		Sus. by 130307-09662	
12		130307-09661	1	CASE, AIR CLEANER		Sus. by 130307-09662	
12		130307-09662	1	CASE, AIR CLEANER			
13		101586-09660	1	SPACER			
14		123000-09663	1	CARBURETOR ASSY	WT-417B	Sus. by 123000-09664	
14		123000-09664	1	CARBURETOR WT-417C	WT-417C		
15		130016-09561	1	GASKET, INTAKE			
20		145800-09660	1	MUFFLER ASSY			
21	+	900182-04008	4	BOLT	4*8 W,SW		
23	+	145809-09660	1	LID, MUFFLER	ID1301		
24	+	145866-09660	1	GASKET, MUFFLER LID			
25	+	900105-05060	2	BOLT, H.S. 5*60	5*60		

3. Air Cleaner, Muffler



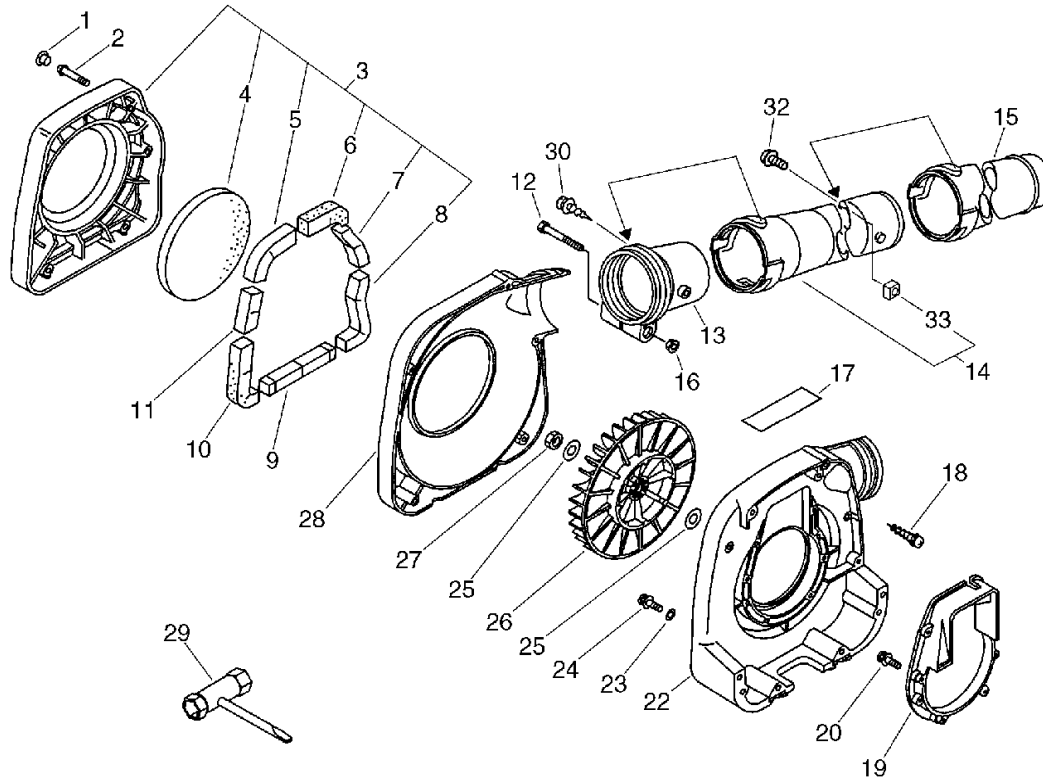
KEY	LV	PART NUMBER	Q'TY	DESCRIPTION	REMARKS	NOTE1	NOTE2
26	+	900600-00005	2	WASHER 5	5		
27	+	145862-40630	1	SCREEN, MUFFLER			
28	+	145510-42031	2	GASKET, MUFFLER		Sus. by V104-000160	
28	+	V104-000160	2	GASKET, EXHAUST			
29	+	900162-05016	1	BOLT, H.S. 5*16	5*16 W,SW		

4. Fuel Tank



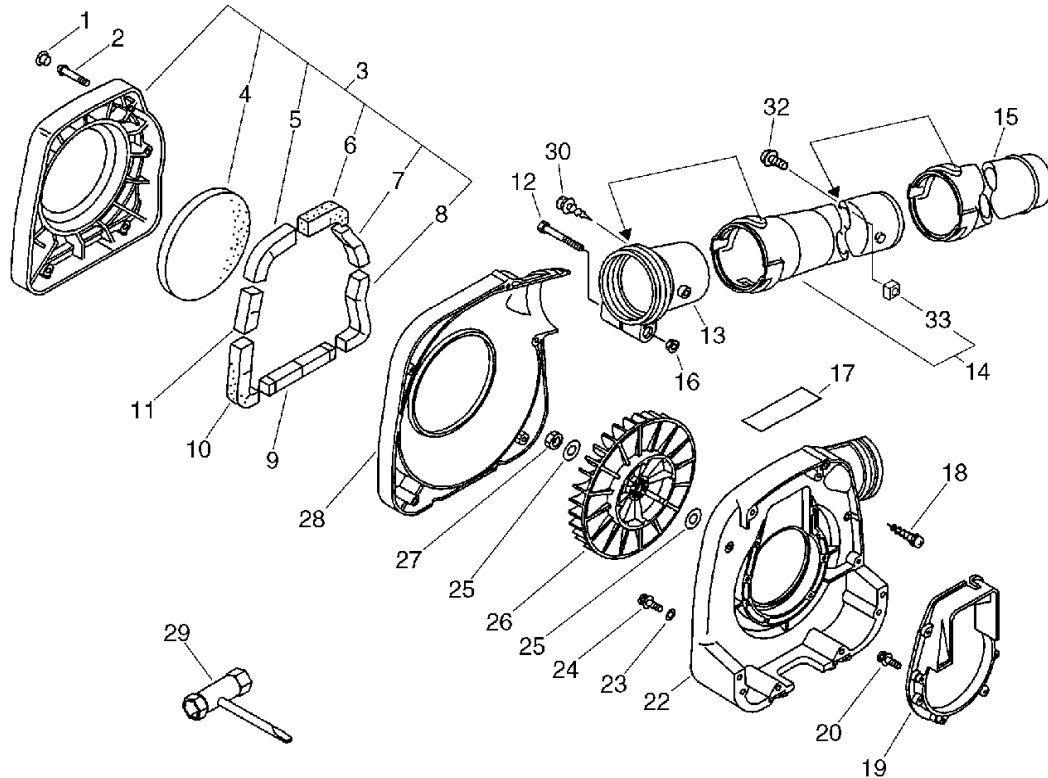
KEY	LV	PART NUMBER	Q'TY	DESCRIPTION	REMARKS	NOTE1	NOTE2
1		131004-55530	1	CAP ASSY, FUEL TANK			
2	+	131016-55830	1	GASKET, FUEL CAP			
13	+	131051-56030	1	CLIP, FUEL CAP	100L		
3		131005-09560	1	TANK, FUEL			
4		900253-05020	2	SCREW 5*20	5*20		
5		900603-00005	2	WASHER 5	5.5*12*0.8		
6		131300-56430	1	VALVE, CHECK			
7		131328-40630	1	COVER, VENT			
8		437210-11131	1	PIPE 3*5*90 NBR	3*5*90 NBR	Sus. by V470-001210	
8		V470-001210	1	FUEL PIPE			
9		132115-46730	1	GROMMET, FUEL		Sus. by V137-000030	
9		V137-000030	1	GROMMET, FUEL			
10		131205-07320	1	STRAINER, FUEL			
11		132010-06460	1	PIPE 3*6*110	3*6*110 YL		
12		132010-11520	1	PIPE, 3*5*210	3*5*210 NBR	Sus. by V471-001230	
12		V471-001230	1	PIPE	3*5*210 NBR		

5. Fan Case, Pipe, Tool



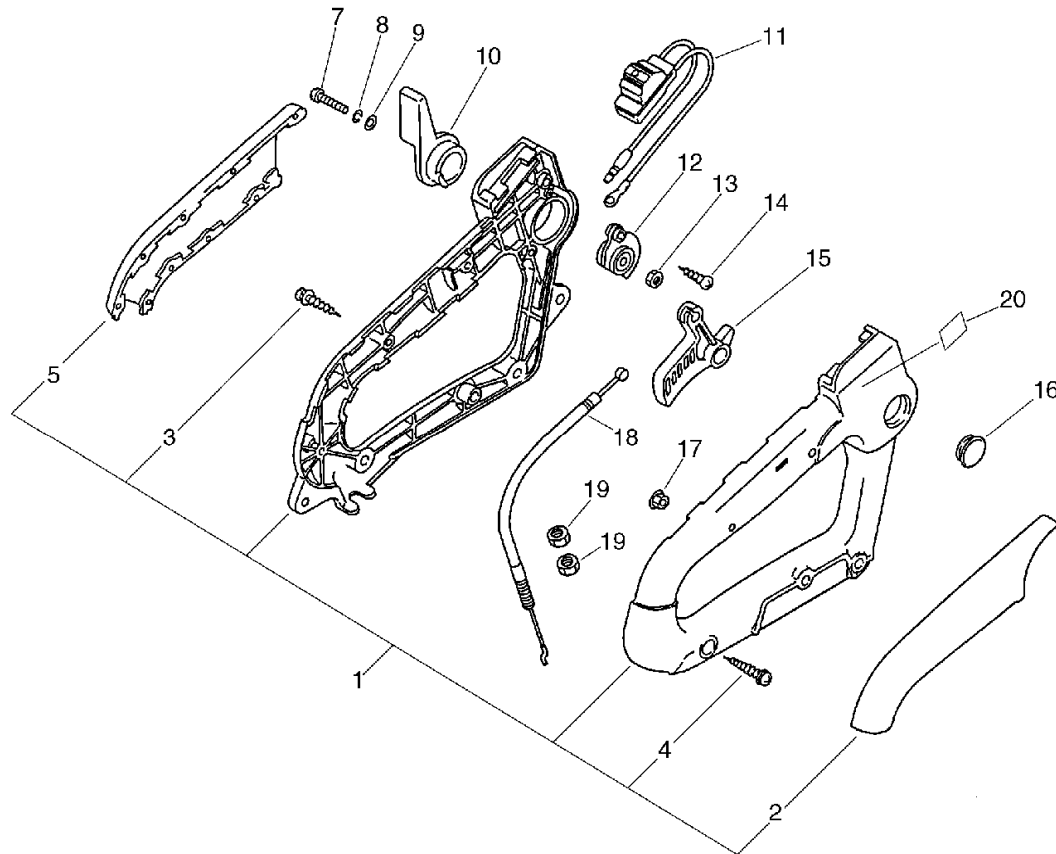
KEY	LV	PART NUMBER	Q'TY	DESCRIPTION	REMARKS	NOTE1	NOTE2
1		104044-09660	7	PLUG			
2		889950-21060	7	SCREW 5			
3		880826-09660	1	PAD, FOAM			
4	+	104295-09660	1	PAD, FOAM			
5	+	104292-09660	1	PAD, FOAM			
6	+	104295-09560	1	PAD, FOAM			
7	+	104294-09560	1	PAD, FOAM			
8	+	104293-09560	1	PAD, FOAM			
9	+	104292-09560	1	PAD, FOAM			
10	+	104294-09660	1	PAD, FOAM			
11	+	104293-09660	1	PAD, FOAM			
12		900105-05060	1	BOLT, H.S. 5*60	5*60		
13		210024-09561	1	PIPE, BLOWER			
14		210015-09561	1	PIPE, BLOWER			
32	+	900238-05010	1	SCREW 5*10	5*10		
33	+	900565-00005	1	NUT	5		
15		210027-08560	1	PIPE, BLOWER			
16		900516-00005	1	NUT, FRANGE 5	5		
17		890160-09460	1	LABEL, CAUTION		Sus. by 890160-09461	
17		890160-09461	1	LABEL, CAUTION			
18		900253-05030	5	SCREW 5*30	5*30		
19		104930-05061	1	BASE, ENGINE			
20		900163-04018	4	BOLT HSH			
22		200107-09561	1	CASE, FAN			
23		104032-08760	5	WASHER	4.5*15.5*2		

5. Fan Case, Pipe, Tool



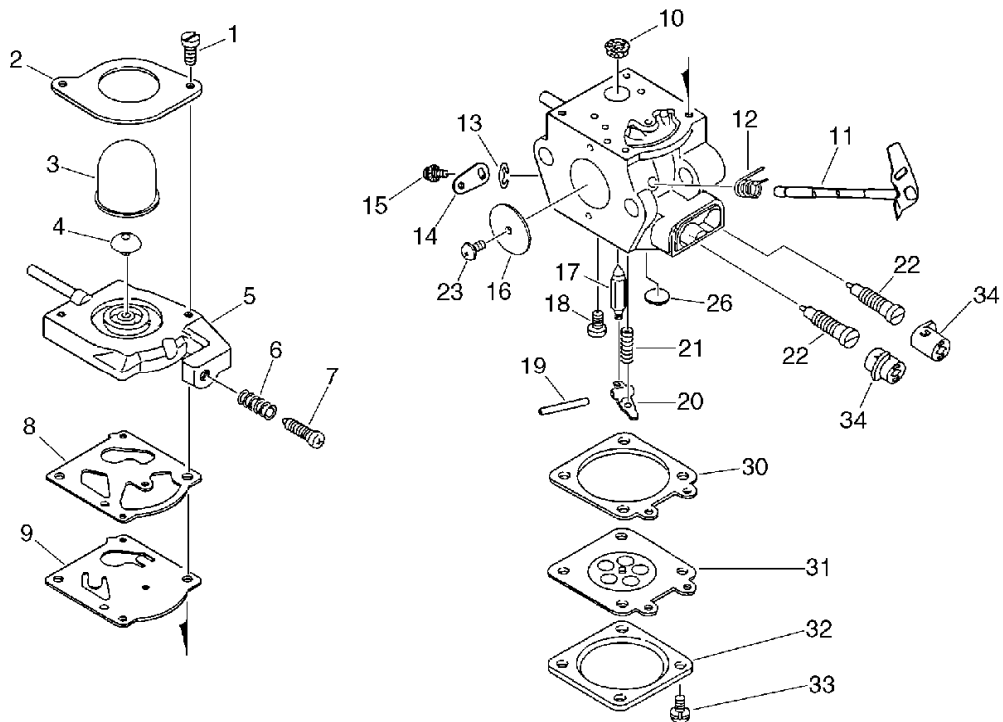
KEY	LV	PART NUMBER	Q'TY	DESCRIPTION	REMARKS	NOTE1	NOTE2
24		900162-04022	5	BOLT, H.S. 4*22	4*22 W,SW	Sus. by 91107-04020	
24		91107-04020	5	BOLT, FLANGE	M4*20		
25		100132-05660	2	WASHER	8.2*30*3.0		
26		200010-09660	1	FAN		Sus. by E100-000050	
26		E100-000050	1	FAN,BLOWER			
27		900500-00008	1	NUT 8	8*P1.25		
28		200110-09660	1	CASE, FAN			
29		895410-00430	1	WRENCH, W/S. DRIVER			
30		900256-05010	1	SCREW, TAPPING			

6. Handle



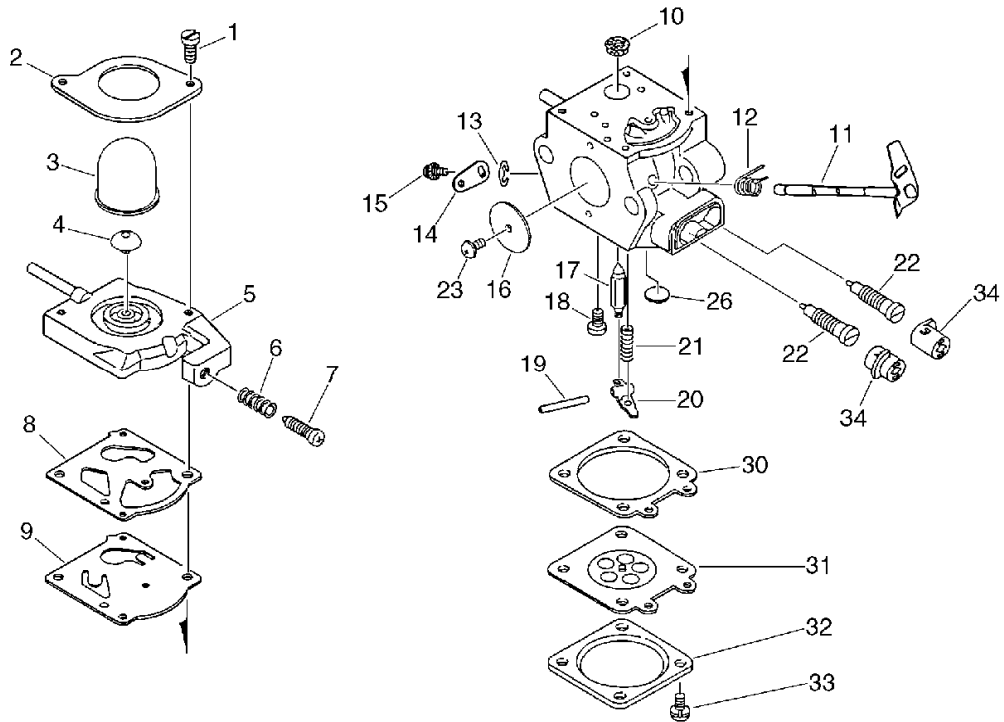
KEY	LV	PART NUMBER	Q'TY	DESCRIPTION	REMARKS	NOTE1	NOTE2
1		351000-09660	1	HANDLE SET. (R)			
2	+	351311-09660	1	GRIP, HANDLE			
3	+	900256-04022	5	SCREW 4*22	4*22		
4	+	900253-05035	2	SCREW 5*35	5*35		
5	+	351315-09660	1	GRIP, HANDLE			
7		900235-06020	1	SCREW 6*20	6*20		
8		900605-00006	1	WASHER, SPRING 6	6		
9		900603-00006	1	WASHER 6	6.5*13*1		
10		178054-07560	1	CONTRTOL, THROTTLE			
11		163400-09560	1	SWITCH, IGNITION			
12		178123-07561	1	BRACKET, THROTTLE			
13		900500-00006	1	NUT 6	6		
14		900245-04010	1	SCREW 4*10	4*10		
15		178010-07560	1	CONTROL, THROTTLE		Sus. by 178010-07561	
15		178010-07561	1	CONTROL, THROTTLE			
16		351146-07560	1	PLUG			
17		900516-00005	1	NUT, FRANGE 5	5		
18		178001-09560	1	WIRE, THROTTLE			
19		900502-00006	2	NUT 6 (3N)	3N6		
20		890157-06560	1	LABEL, SWITCH			

7. Carburetor



KEY	LV	PART NUMBER	Q'TY	DESCRIPTION	REMARKS	NOTE1	NOTE2
		123000-09663	1	CARBURETOR ASSY	WT-417B	Sus. by 123000-09664	
		123000-09664	1	CARBURETOR WT-417C	WT-417C		
1	+	123110-43130	2	SCREW			
2	+	123142-09560	1	COVER, PRIMER PUMP			
3	+	123181-09560	1	PUMP, PRIMER			
4	+	123171-35630	1	VALVE, CHECK			
5	+	123124-09660	1	COVER, FULE PUMP			
6	+	123133-04260	1	SPRING, IDLE ADJUST			
7	+	123134-04260	1	SCREW, IDLE ADJUST			
8	+	123125-09560	1	GASKET, FUEL PUMP			
9	+	123112-55730	1	DIAPHRAGM, FUEL PUMP			
10	+	123126-10631	1	SCREEN, INLET			
11	+	123117-09660	1	SHAFT, THROTTLE			
12	+	123113-09660	1	SPRING, THRT. RETURN			
13	+	123127-15030	1	RING			
14	+	123150-38330	1	LEVER, THROTTLE			
15	+	123114-03930	1	SCREW			
16	+	123116-23230	1	VALVE, THROTTLE			
17	+	123137-19830	1	VALVE, INLET NEEDLE			
18	+	123139-03930	1	SCREW, M. LEVER PIN			
19	+	123138-03930	1	PIN, METERING LEVER			
20	+	123123-03930	1	LEVER, METERING			
21	+	123122-03660	1	SPRING, METER. LEVER			
22	+	123120-52131	2	NEEDLE, HIGH SPEED			
23	+	123114-38830	1	SCREW			

7. Carburetor



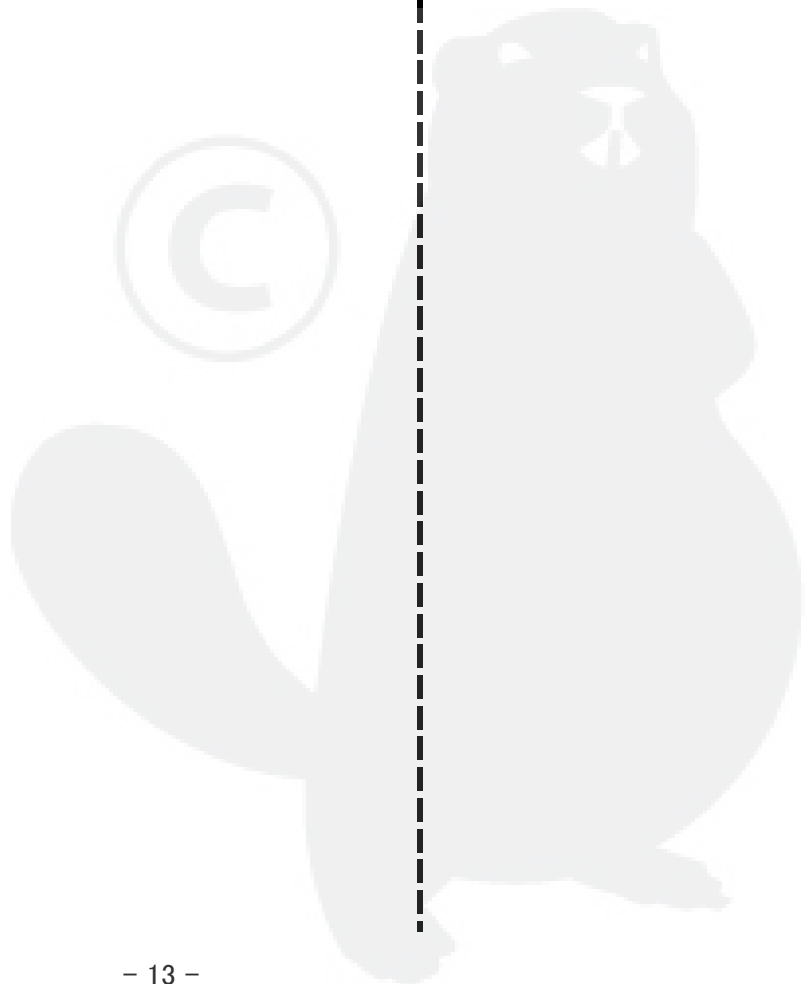
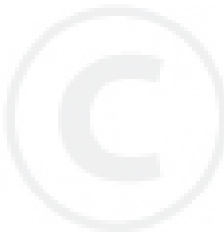
KEY	LV	PART NUMBER	Q'TY	DESCRIPTION	REMARKS	NOTE1	NOTE2
26	+	123146-10631	1	PLUG, WELCH			
30	+	123140-03930	1	GASKET, M. DIAPHRAGM			
31	+	123141-03930	1	DIAPHRAGM, METERING			
32	+	123142-03930	1	COVER, M. DIAPHRAGM			
33	+	123130-02960	4	SCREW			
34	+	P003-000010	2	LIMITER CAP		Sr/Nr 36001001 and after	

Index

Patrs Number	Key No.	Patrs Number	Key No.	Patrs Number	Key No.
100000-09563	1 - 7	123125-09560	7 - 8	162010-09660	2 - 24
100011-09560	1 - 8	123126-10631	7 - 10	163400-09560	6 - 11
100012-51230	1 - 13	123127-15030	7 - 13	177200-09560	2 - 5
100013-11520	1 - 9	123130-02960	7 - 33	177202-44330	2 - 1
100014-11520	1 - 11	123133-04260	7 - 6	177202-44331	2 - 1
100015-04630	1 - 10	123134-04260	7 - 7	177215-05960	2 - 7
100100-44732	1 - 12	123137-19830	7 - 17	177218-44330	2 - 3
100132-05660	5 - 25	123138-03930	7 - 19	177220-42030	2 - 8
100204-52130	1 - 14	123139-03930	7 - 18	177226-05310	2 - 10
100204-52131	1 - 14	123140-03930	7 - 30	177227-09560	2 - 11
100204-52132	1 - 14	123141-03930	7 - 31	177228-06530	2 - 12
100212-42030	1 - 15	123142-03930	7 - 32	177234-42030	2 - 2
100212-42031	1 - 15	123142-09560	7 - 2	177236-44330	2 - 6
100215-03930	1 - 19	123146-10631	7 - 26	178001-09560	6 - 18
100242-42030	1 - 17	123150-38330	7 - 14	178010-07560	6 - 15
101010-44332	1 - 6	123171-35630	7 - 4	178010-07561	6 - 15
101011-08961	1 - 3	123181-09560	7 - 3	178054-07560	6 - 10
101514-09560	1 - 4	129011-09560	3 - 10	178123-07561	6 - 12
101576-09560	1 - 2	130010-09561	3 - 1	200010-09660	5 - 26
101586-09660	3 - 13	130016-09561	3 - 15	200011-05661	2 - 16
104005-09563	1 - 22	130017-05062	3 - 3	200107-09561	5 - 22
104016-09661	1 - 24	130307-09660	3 - 12	200110-09660	5 - 28
104032-08760	5 - 23	130307-09661	3 - 12	210015-09561	5 - 14
104044-09660	5 - 1	130307-09662	3 - 12	210024-09561	5 - 13
104292-09560	5 - 9	130310-51830	3 - 9	210027-08560	5 - 15
104292-09660	5 - 5	130313-09561	3 - 8	210417-09560	3 - 7
104293-09560	5 - 8	130422-09660	3 - 11	351000-09660	6 - 1
104293-09660	5 - 11	131004-55530	4 - 1	351146-07560	6 - 16
104294-09560	5 - 7	131005-09560	4 - 3	351311-09660	6 - 2
104294-09660	5 - 10	131016-55830	4 - 2	351315-09660	6 - 5
104295-09560	5 - 6	131051-56030	4 - 13	437210-11131	4 - 8
104295-09660	5 - 4	131205-07320	4 - 10	880826-09660	5 - 3
104910-09560	1 - 21	131300-56430	4 - 6	889950-21060	5 - 2
104930-05061	5 - 19	131328-40630	4 - 7	890112-09660	1 - 27
123000-09663	3 - 14	132010-06460	4 - 11	890118-49330	2 - 14
123000-09663	7 -	132010-11520	4 - 12	890121-09560	3 - 6
123000-09664	3 - 14	132115-46730	4 - 9	890157-06560	6 - 20
123000-09664	7 -	145510-42031	3 - 28	890160-06360	1 - 26
123110-43130	7 - 1	145800-09660	3 - 20	890160-06361	1 - 26
123112-55730	7 - 9	145809-09660	3 - 23	890160-09460	5 - 17
123113-09660	7 - 12	145862-40630	3 - 27	890160-09461	5 - 17
123114-03930	7 - 15	145866-09660	3 - 24	895410-00430	5 - 29
123114-38830	7 - 23	150112-05060	2 - 23	900105-05060	3 - 25
123116-23230	7 - 16	156611-05060	2 - 19	900105-05060	5 - 12
123117-09660	7 - 11	156626-09660	2 - 18	900162-04022	2 - 17
123120-52131	7 - 22	156801-09660	2 - 15	900162-04022	5 - 24
123122-03660	7 - 21	159010-10230	2 - 22	900162-05016	3 - 29
123123-03930	7 - 20	159011-03432	2 - 21	900162-05022	1 - 5
123124-09660	7 - 5	159012-03433	2 - 20	900162-05028	1 - 16

Index

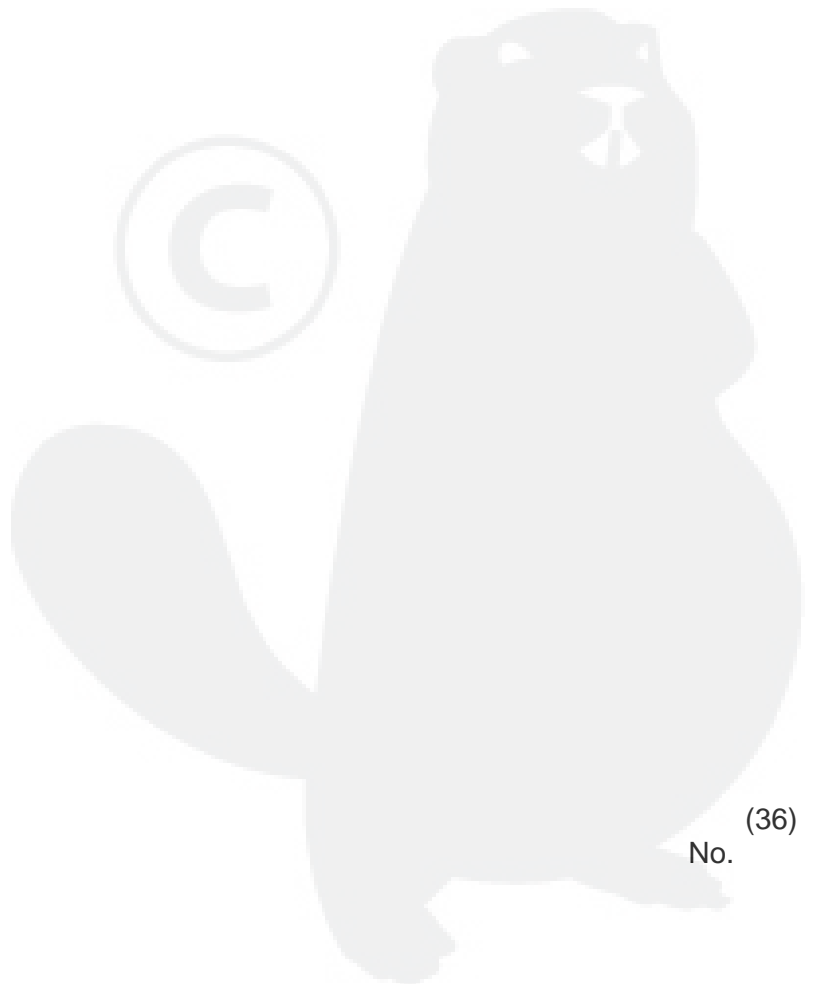
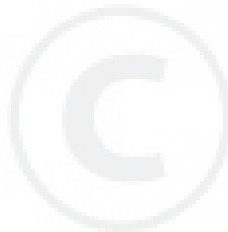
Patrs Number	Key No.	Patrs Number	Key No.	Patrs Number	Key No.
900163-04016	2 - 13				
900163-04018	5 - 20				
900182-04008	3 - 21				
900235-06020	6 - 7				
900238-05010	1 - 1				
900238-05010	5 - 32				
900238-05016	1 - 25				
900238-05022	3 - 4				
900242-05057	3 - 5				
900245-04010	6 - 14				
900253-05020	1 - 23				
900253-05020	4 - 4				
900253-05030	5 - 18				
900253-05035	6 - 4				
900256-04022	6 - 3				
900256-05010	5 - 30				
900500-00005	3 - 2				
900500-00006	6 - 13				
900500-00008	5 - 27				
900502-00006	6 - 19				
900516-00005	5 - 16				
900516-00005	6 - 17				
900565-00005	5 - 33				
900600-00005	3 - 26				
900603-00005	4 - 5				
900603-00006	6 - 9				
900605-00006	6 - 8				
900810-36201	1 - 18				
91107-04020	5 - 24				
94035-36201	1 - 18				
A011-000100	1 - 12				
A011-000160	1 - 12				
E100-000050	5 - 26				
P003-000010	7 - 34				
V104-000160	3 - 28				
V137-000030	4 - 9				
V470-001210	4 - 8				
V471-001230	4 - 12				
V553-000010	1 - 13				



YAMABIKO CORPORATION

7-2 SUEHIROCHO 1-CHOME, OHME, TOKYO 198-8760, JAPAN
PHONE: 81-428-32-6118. FAX: 81-428-32-6145.

ECHO[®]



(36)
No.