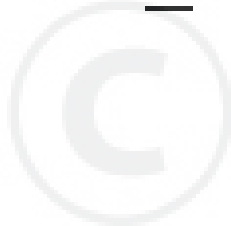




# **PARTS CATALOG**

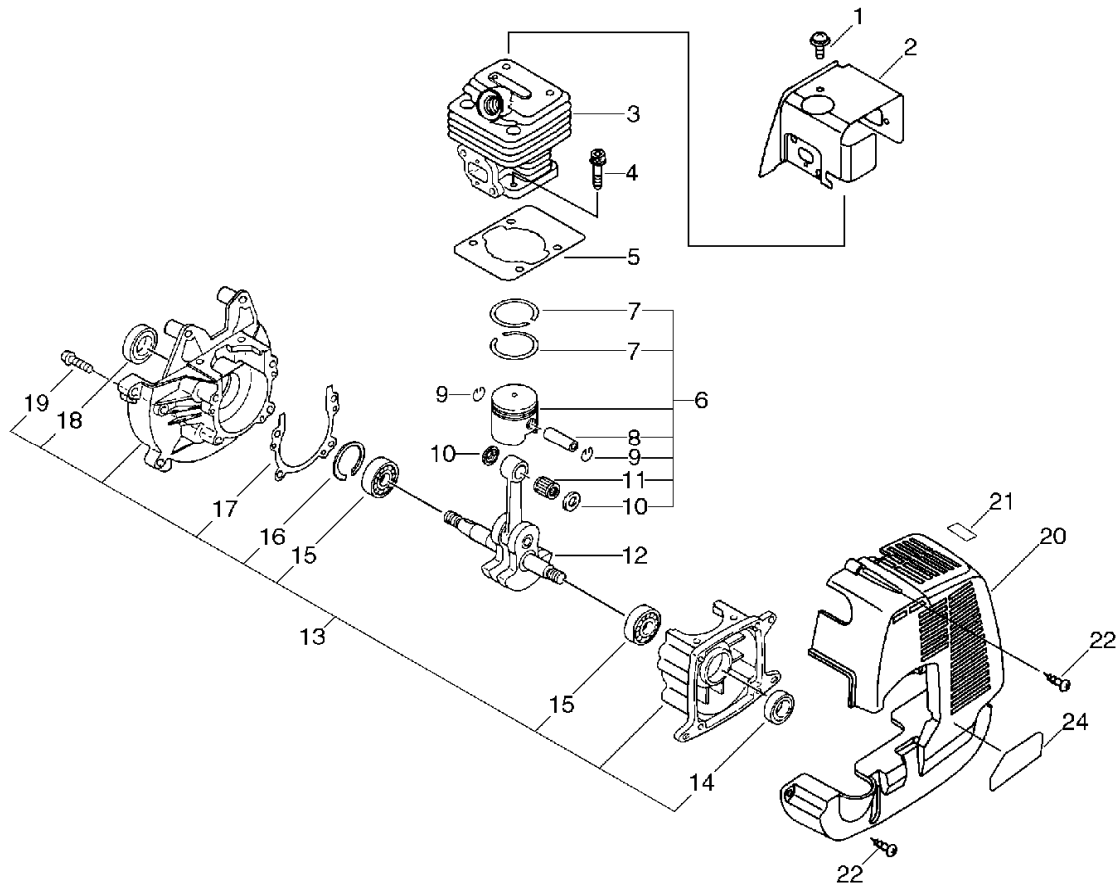
## **BACKPACK BLOWER**

### **PB-260L\_LSI(35)(36)**



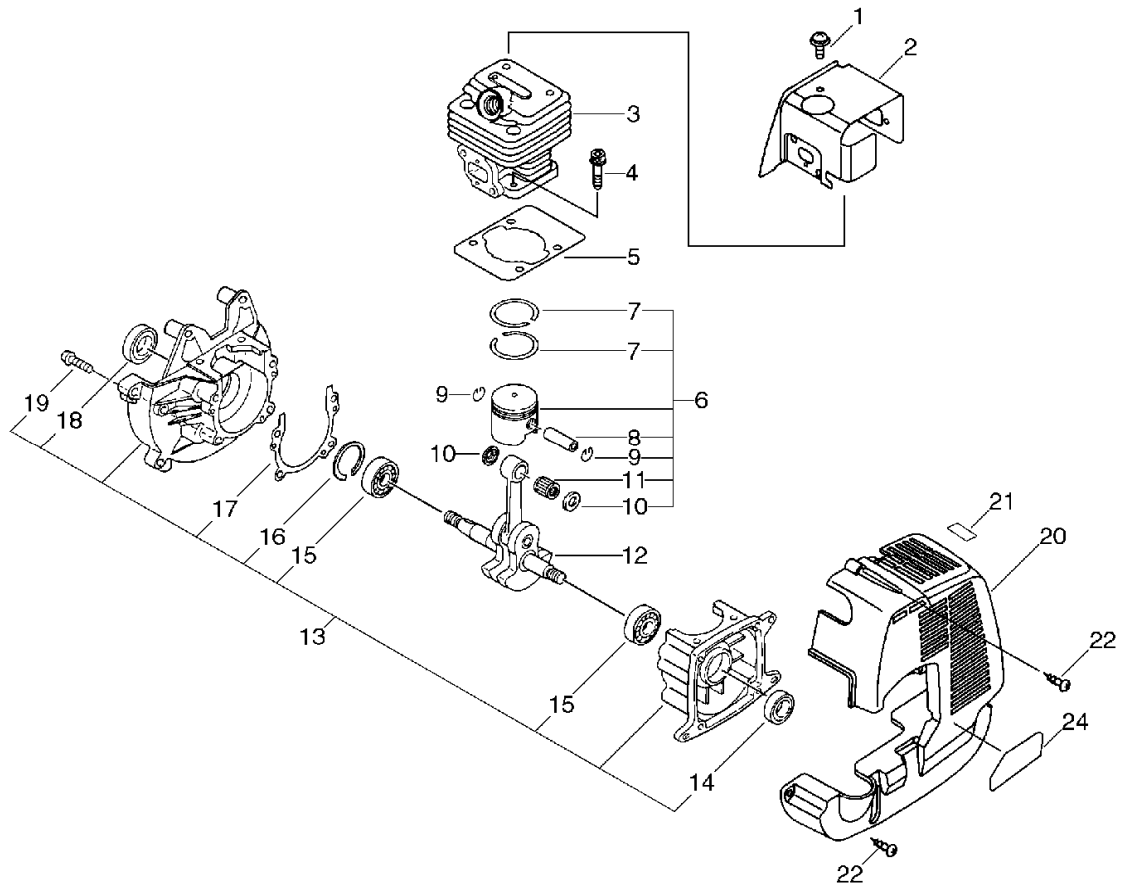
PB-260L\_LSI(35)(36)

# 1. Cylinder, Crankcase, Piston



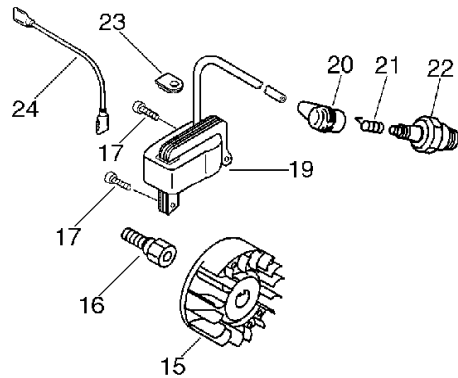
KEY	LV	PART NUMBER	Q'TY	DESCRIPTION	REMARKS	NOTE1	NOTE2
1		900242-05010	1	SCREW 5*10	5*10		
2		A160-000120	1	COVER,CYLINDER			
3		A130-000121	1	CYLINDER		Sus. by A130-000122	
3		A130-000122	1	CYLINDER			
4		900162-05022	4	BOLT, H.S. 5*22	5*22 W,SW		
5		V100-000010	1	GASKET,CYL			
6		P021-001680	1	PISTON KIT		Sus. by P021-002360	
6		P021-002360	1	PISTON KIT			
7	+	A101-000010	2	RING,PISTON			
8	+	V606-000000	1	PIN,ENG 8	5*8*28		
9	+	100015-04630	2	CIRCLIP, PISTON PIN			
10	+	100014-55930	2	SPACER, PISTON PIN			
11	+	V553-000000	1	BEARING,NEEDLE 8		Sus. by V553-000020	
11	+	V553-000020	1	BEARING,NEEDLE 8	KBK8X11X8.8X4		
12		A011-000030	1	CRANKSHAFT,ASM		Sus. by A011-000031	
12		A011-000031	1	CRANKSHAFT,ASM			
13		P021-000940	1	CRANKCASE KIT		Sus. by P021-000941	
13		P021-000941	1	CRANKCASE KIT			
14	+	100213-05530	1	OILSEAL	ISCD 12 22 7		
15	+	900800-36001	2	BEARING, BALL 6001	6001/C3		

# 1. Cylinder, Crankcase, Piston



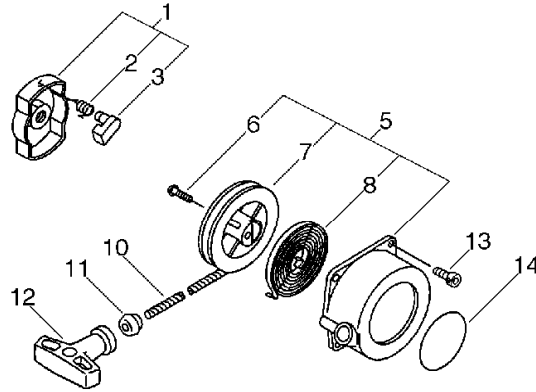
KEY	LV	PART NUMBER	Q'TY	DESCRIPTION	REMARKS	NOTE1	NOTE2
16	+	900702-00028	1	CIRCLIP 28	CR-28		
17	+	100242-55930	1	GASKET, CRANKCASE			
18	+	100212-28230	1	OILSEAL ISCD 12*28*7	ISCD 12*28*7		
19	+	900162-05025	4	BOLT, H.S. 5*25	5*25 W,SW		
20		A190-000011	1	COVER,ENGINE			
21		890160-06361	1	LABEL, CAUTION		Sus. by X505-002310	
22		900253-05020	4	SCREW 5*20	5*20		
24		X503-000870	1	LABEL,MODEL	PB-260L	PB-260L	
24		X503-003280	1	LABEL,MODEL	PB-260LSI	PB-260LSI Sus. by X503-003281	
24		X503-003281	1	LABEL,MODEL	PB-260LSI		

## 2. Magneto



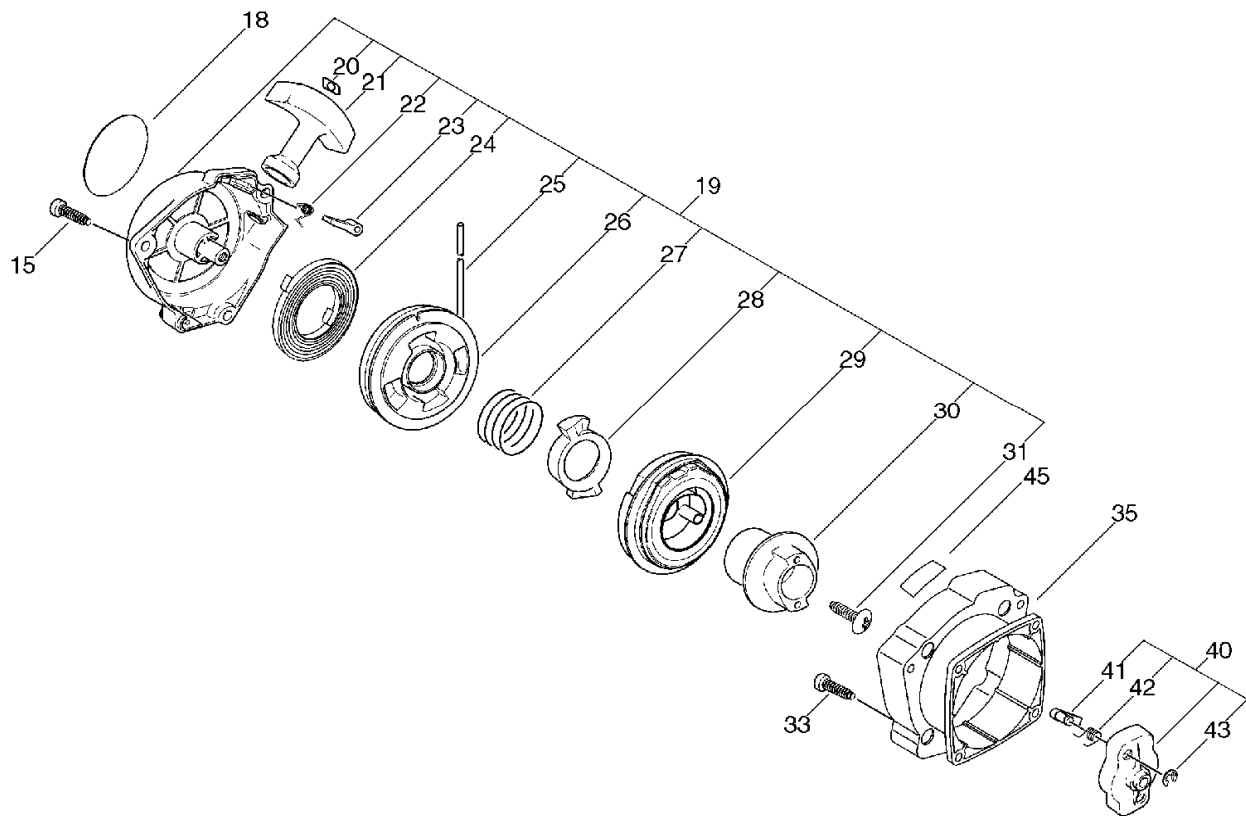
KEY	LV	PART NUMBER	Q'TY	DESCRIPTION	REMARKS	NOTE1	NOTE2
15		A409-000020	1	ROTOR,MAGNETO			
16		E101-000000	1	HUB,FAN			
17		900162-05016	2	BOLT, H.S. 5*16	5*16 W,SW		
19		A411-000010	1	COIL,IGNITION			
20		159012-03433	1	CAP, SPARK PLUG			
21		159011-03432	1	COIL, SPARK PLUG			
22		159010-10230	1	PLUG, SPARK (BPMR-7A	BPMR-7A		
23		156112-40630	1	GROMMET			
24		V485-000040	1	LEAD			

## 3. Starter(PB-260L)



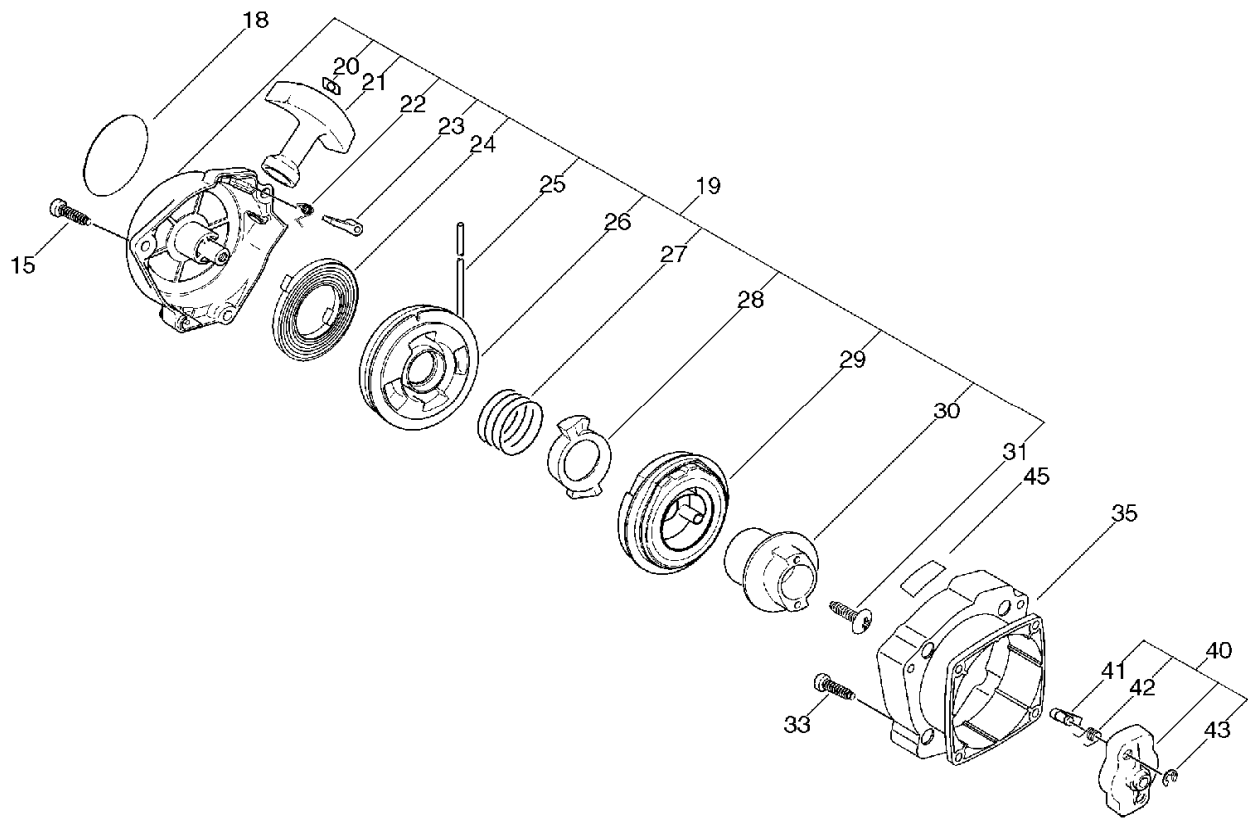
KEY	LV	PART NUMBER	Q'TY	DESCRIPTION	REMARKS	NOTE1	NOTE2
1		177202-44330	1	PAWL ASSY, STARTER		PB-260L Sus. by 177202-44331	
1		177202-44331	1	PAWL ASM., STARTER		PB-260L	
2	+	177234-42030	1	SPRING, RETURN		PB-260L	
3	+	177218-44330	1	PAWL, STARTER	BLACK	PB-260L	
5		177200-09560	1	STARTER ASSY		PB-260L	
6	+	177236-44330	1	SCREW		PB-260L	
7	+	177215-05960	1	DRUM, STARTER		PB-260L	
8	+	177220-42030	1	SPRING, REWIND		PB-260L	
10	+	177226-05310	1	ROPE, STARTER		PB-260L	
11	+	177227-09560	1	GUIDE, ROPE		PB-260L	
12	+	177228-06530	1	GRIP, STARTER		PB-260L	
13		900163-04016	4	BOLT HSH		PB-260L	
14		890118-49330	1	LABEL, ECHO		PB-260L	

## 4. Starter(PB-260LSI)



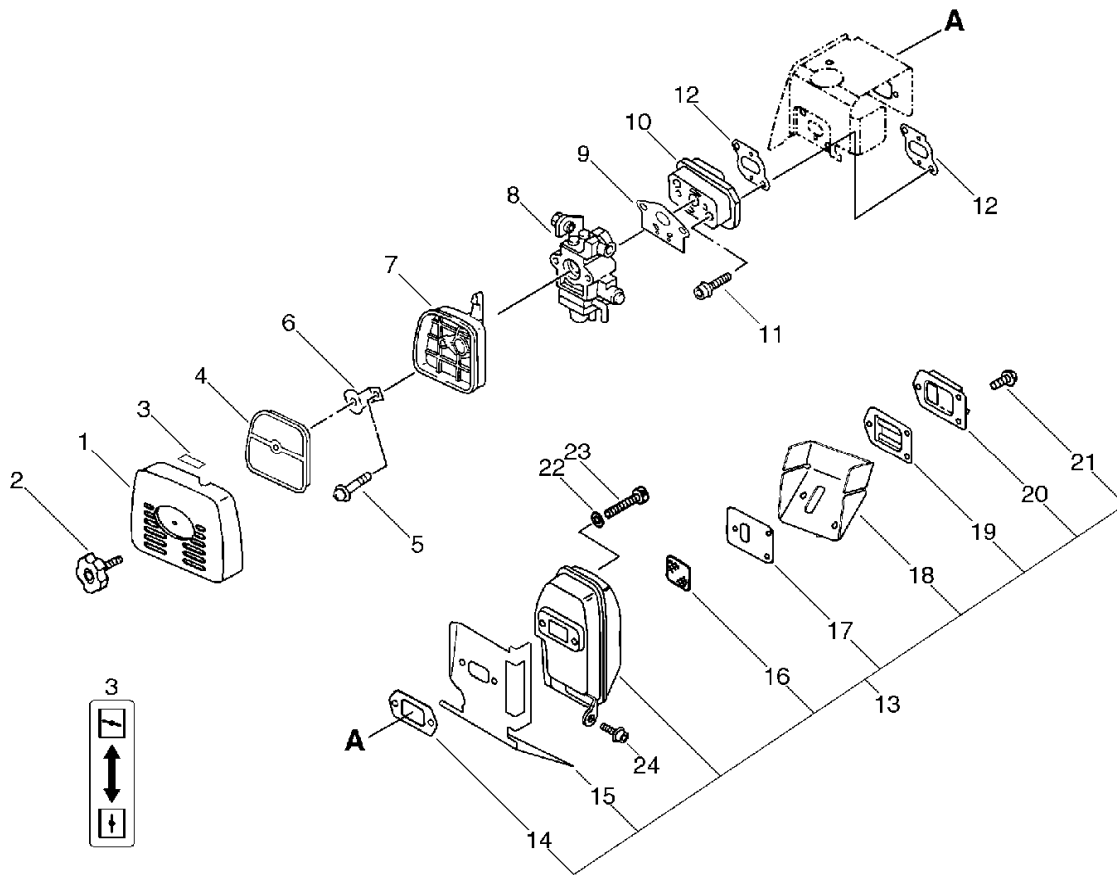
KEY	LV	PART NUMBER	Q'TY	DESCRIPTION	REMARKS	NOTE1	NOTE2
15		900253-05020	3	SCREW 5*20	5*20	PB-260LSI	
18		X502-000031	1	LABEL,ECHO		PB-260LSI Sus. by X502-000240	
18		X502-000032	1	LABEL,ECHO		PB-260LSI Sus. by X502-000240	
18		X502-000240	1	LABEL,ECHO		PB-260LSI	
19		A051-000320	1	STARTER,RECOIL		PB-260LSI Sus. by A051-000321	
19		A051-000321	1	STARTER,RECOIL		PB-260LSI	
20	+	177246-11120	1	CLIP, STARTER ROPE		PB-260LSI	
21	+	177228-27030	1	GRIP, STARTER		PB-260LSI	
22	+	P022-004610	2	SPRING, RETURN		PB-260LSI	
23	+	P022-004620	2	PAWL, STARTER		PB-260LSI	
24	+	P022-004680	1	SPRING, SPIRAL		PB-260LSI	
25	+	P022-004600	1	ROPE,STARTER	3.0*920	PB-260LSI	
26	+	P022-004690	1	REEL,ROPE		PB-260LSI	
27	+	P022-004660	1	SPRING, RETURN		PB-260LSI	
28	+	P022-004670	1	PAWL, STARTER		PB-260LSI	
29	+	P022-004700	1	COMPLETE,SPRING		PB-260LSI	
30	+	P022-004710	1	PLATE,CAM		PB-260LSI	
31	+	P022-004630	1	SCREW		PB-260LSI	
33		900163-04016	4	BOLT HSH		PB-260LSI	
35		V376-000350	1	SPACER		PB-260LSI	

## 4. Starter(PB-260LSI)



KEY	LV	PART NUMBER	Q'TY	DESCRIPTION	REMARKS	NOTE1	NOTE2
40		A052-000110	1	PULLEY,ASM STARTER		PB-260LSI	
41	+	177218-40630	2	PAWL, STARTER	WHITE	PB-260LSI	
42	+	177234-40630	2	SPRING, RETURN		PB-260LSI	
43	+	P022-002100	2	E-RING	4	PB-260LSI	
45	+	X505-000620	1	LABEL,CAUTION		PB-260LSI	

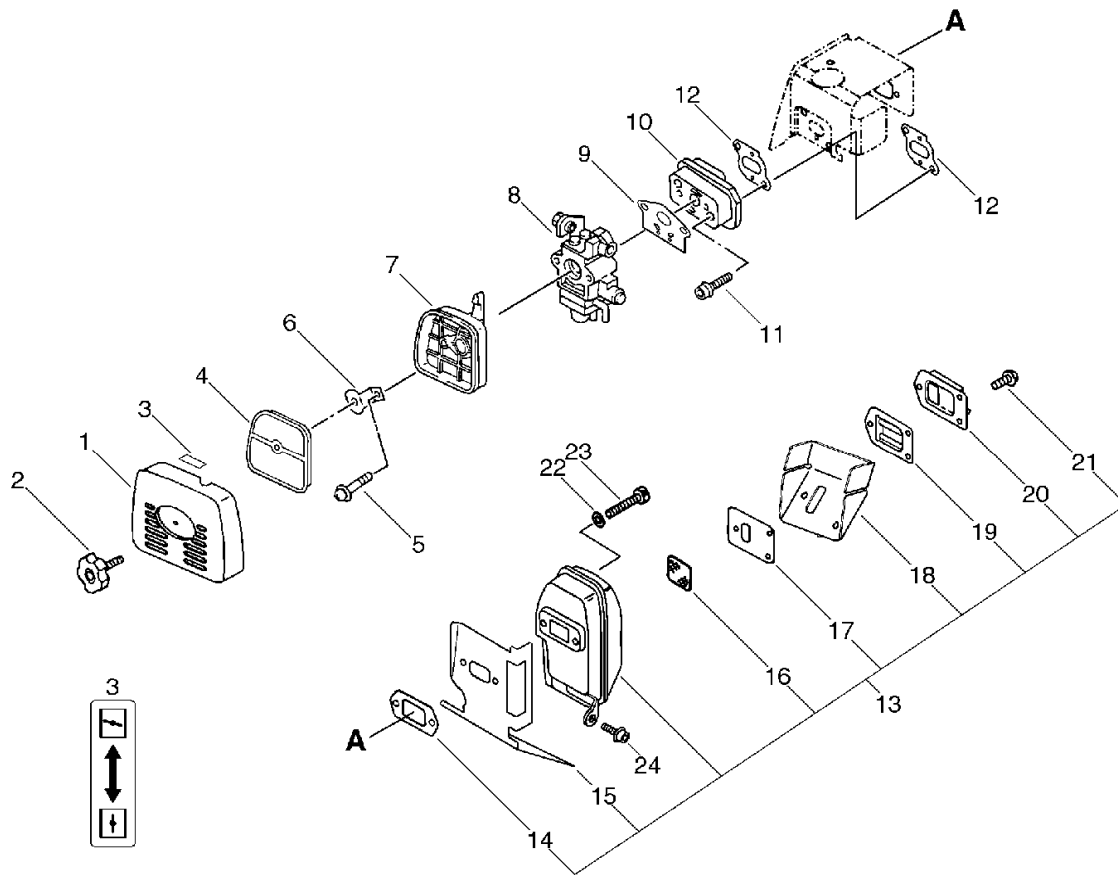
## 5. Air Cleaner, Muffler



KEY	LV	PART NUMBER	Q'TY	DESCRIPTION	REMARKS	NOTE1	NOTE2
1		A232-000040	1	LID,CLEANER		Sus. by A232-000041	
1		A232-000041	1	LID,CLEANER			
2		130406-52130	1	KNOB, FASTENER		Sus. by 130406-52131	
2		130406-52131	1	KNOB, FASTENER			
3		890332-52730	1	LABEL, CHOKE			
4		130310-51830	1	FILTER, AIR			
5		900242-05060	2	SCREW 5*60	5*60		
6		129011-57730	1	PLATE, PRVENT		Sus. by 129011-57731	
6		129011-57731	1	PLATE, PRVENT			
7		130307-57730	1	CASE,AIR CLEANER			
8		A021-000120	1	CARBURETOR,DIAPHRAGM	WYJ-257	Sus. by A021-000122	
8		A021-000121	1	CARBURETOR,DIAPHRAGM	WYJ-257	Sus. by A021-000122	
8		A021-000122	1	CARBURETOR,DIAPHRAGM	WYJ-257A		
9		130010-13410	1	GASKET, INTAKE			
10		A200-000021	1	INSULATOR,INTAKE			
11		900106-05025	2	BOLT, H.S. 5*25	5*25		
12		130010-55930	2	GASKET, INTAKE			
13		P021-001480	1	MUFFLER ASY		Sus. by P021-001482	
13		P021-001481	1	MUFFLER ASY		Sus. by P021-001482	

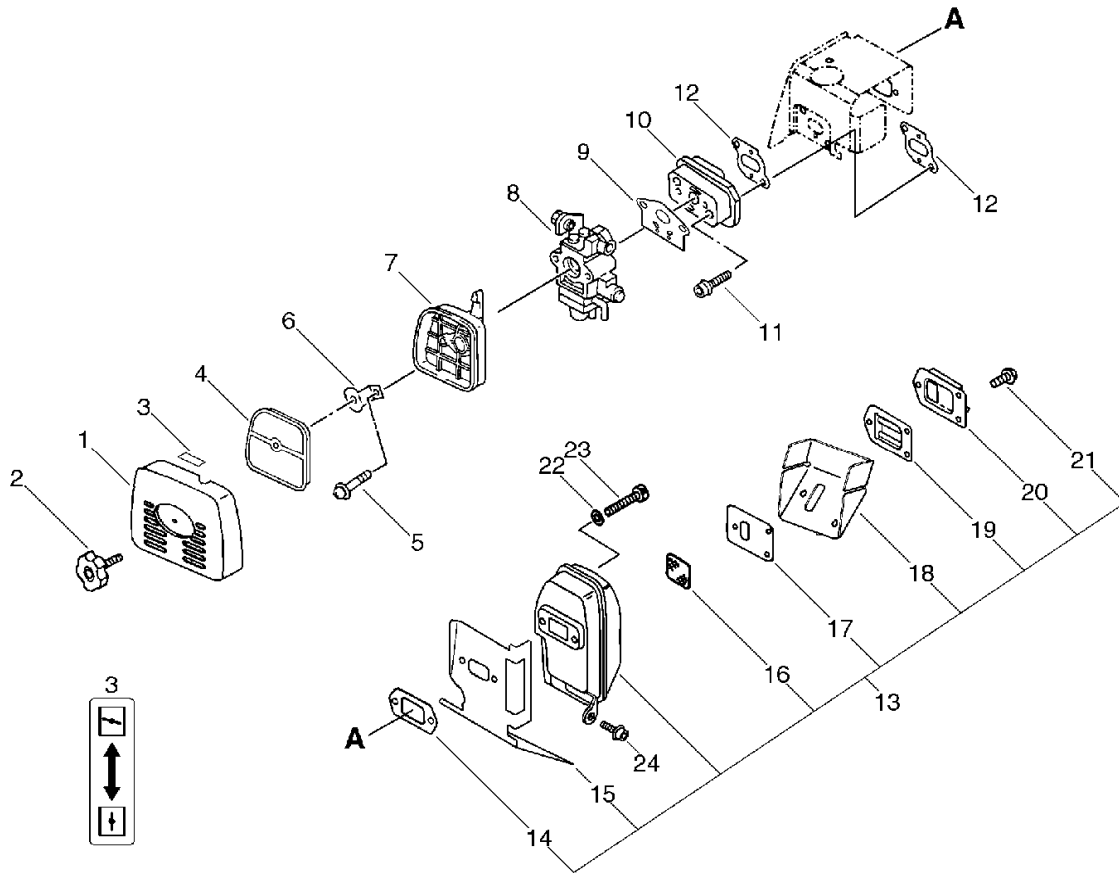


## 5. Air Cleaner, Muffler



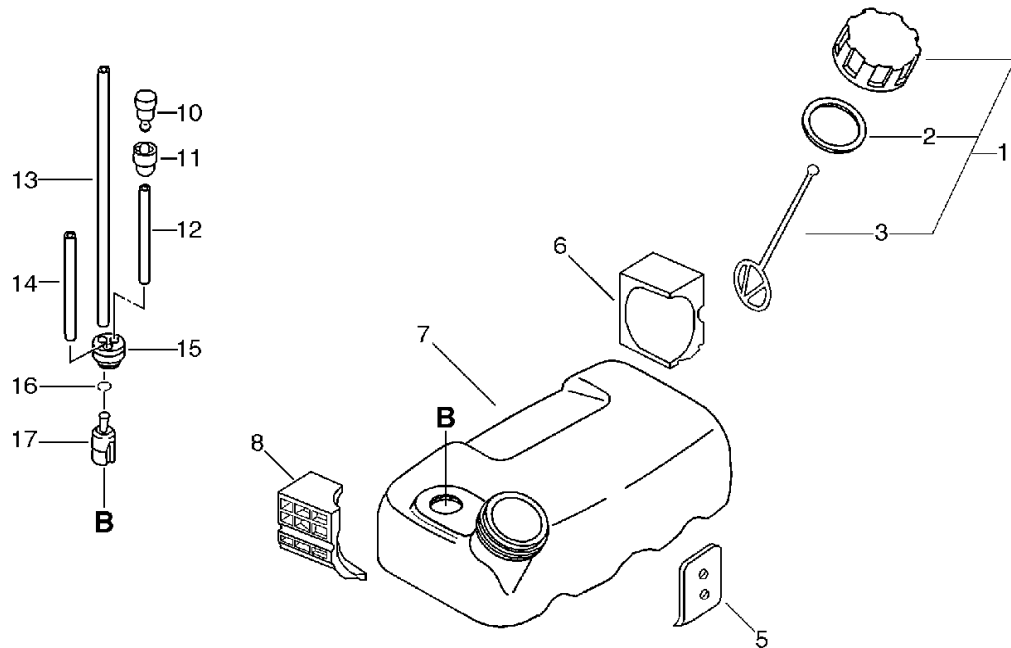
KEY	LV	PART NUMBER	Q'TY	DESCRIPTION	REMARKS	NOTE1	NOTE2
13		P021-001482	1	MUFFLER ASY			
14	+	145510-42031	1	GASKET, MUFFLER		Sus. by 145510-42032	
14	+	145510-42032	1	GASKET, MUFFLER			
15	+	V104-000040	1	GASKET, EXHAUST		Sus. by V104-000041	
15	+	V104-000041	1	GASKET, EXHAUST			
16	+	145862-40630	1	SCREEN, MUFFLER			
17	+	V104-000030	1	GASKET, EXHAUST		Sus. by V104-000031	
17	+	V104-000031	1	GASKET, EXHAUST		Sus. by V104-000032	
17	+	V104-000032	1	GASKET, EXHAUST		Sus. by V104-000035	
18	+	V104-000050	1	GASKET, EXHAUST		Sus. by V104-000051	
18	+	V104-000051	1	GASKET, EXHAUST		Sus. by V104-000350	
18	+	V104-000350	1	GASKET, EXHAUST			
19	+	A313-000110	1	GUIDE, EXH			
20	+	A313-000080	1	GUIDE, EXH			
21	+	91367-04010	3	SCREW	4*10/SW(SUS)	Sus. by 900242-04010	
21	+	900242-04010	3	SCREW 4*10	4*10		
22		900600-00005	2	WASHER 5	5		
23		900105-05060	2	BOLT, H.S. 5*60	5*60		

### 5. Air Cleaner, Muffler



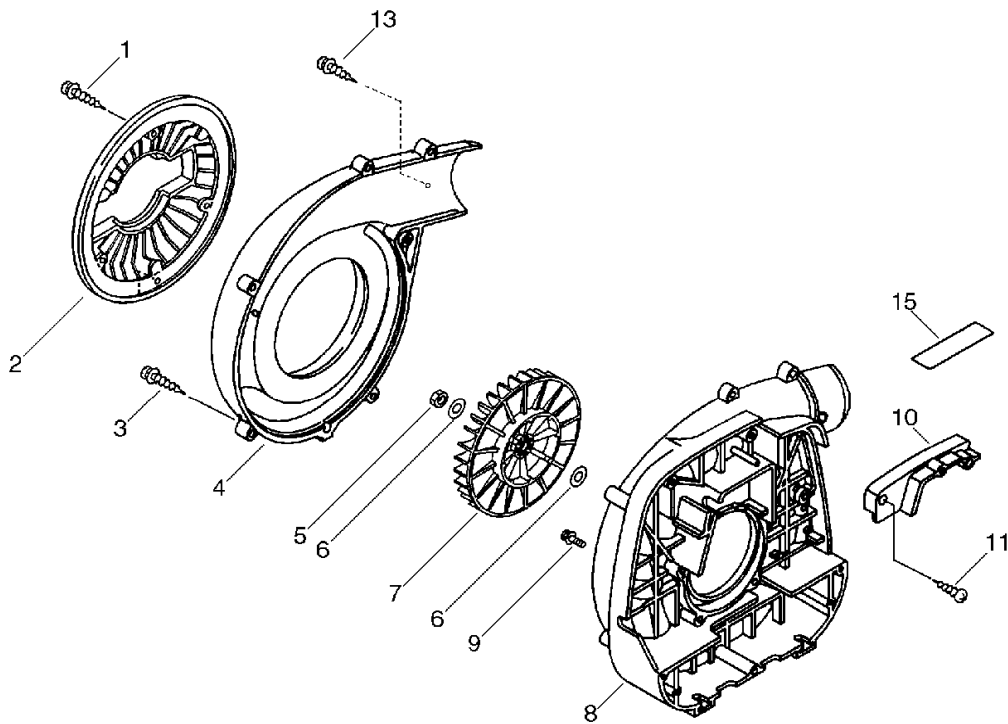
KEY	LV	PART NUMBER	Q'TY	DESCRIPTION	REMARKS	NOTE1	NOTE2
24		900162-05016	1	BOLT, H.S. 5*16	5*16 W,SW		

## 6. Fuel Tank



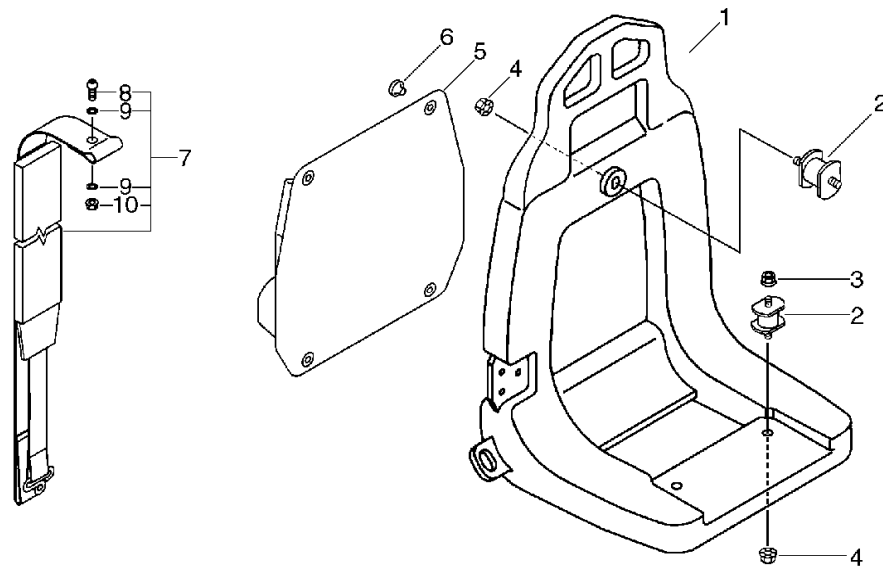
KEY	LV	PART NUMBER	Q'TY	DESCRIPTION	REMARKS	NOTE1	NOTE2
1		131004-55530	1	CAP ASSY, FUEL TANK			
2	+	131016-55830	1	GASKET, FUEL CAP			
3	+	131051-56030	1	CLIP, FUEL CAP	100L		
5		V420-000260	1	CUSHION		Sus. by V420-000390	
5		V420-000390	1	CUSHION	30*42 T8		
6		V420-000280	1	CUSHION			
7		A350-000022	1	TANK,FUEL		Sus. by A350-000023	
7		A350-000023	1	TANK,FUEL			
8		V420-000270	1	CUSHION			
10		131300-56430	1	VALVE, CHECK		Sus. by A356-000030	
10		A356-000030	1	VALVE,CHECK			
11		131328-40630	1	COVER, VENT			
12		437217-20760	1	PIPE 3* 6*100	3*6*100 NBR		
13		437210-15130	1	PIPE, OIL	3*6*200L		
14		132010-14010	1	PIPE 3* 6*100	3*6*100 YL		
15		132115-55930	1	GROMMET, FUEL			
16		132013-26630	1	CLIP	6.5MM		
17		131205-19830	1	STRAINER, FUEL			

## 7. Fan Case



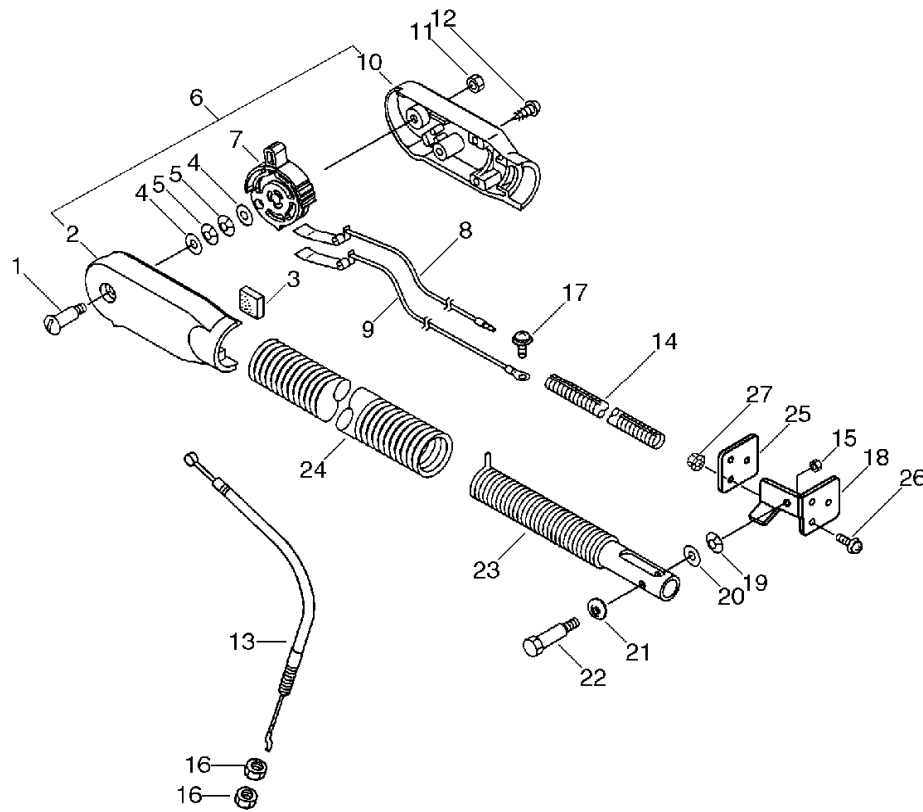
KEY	LV	PART NUMBER	Q'TY	DESCRIPTION	REMARKS	NOTE1	NOTE2
1		900253-05016	3	SCREW	5*16		
2		200124-09560	1	GRID, FAN CASE			
3		900253-05020	6	SCREW 5*20	5*20		
4		E103-000050	1	CASE, FAN			
5		900500-00008	1	NUT 8	8*P1.25		
6		100132-05660	2	WASHER	8.2*30*3.0		
7		E100-000020	1	FAN, BLOWER			
8		E103-000040	1	CASE, FAN			
9		900242-05020	4	SCREW 5*20	5*20	Sus. by 900162-05020	
9		900162-05020	4	BOLT, H.S. 5*20	5*20 W, SW		
10		E109-000000	1	LID, FAN CASE			
11		900253-05016	2	SCREW	5*16		
13		900256-05010	1	SCREW, TAPPING			
15		890160-09461	1	LABEL, CAUTION			

## 8. Harness



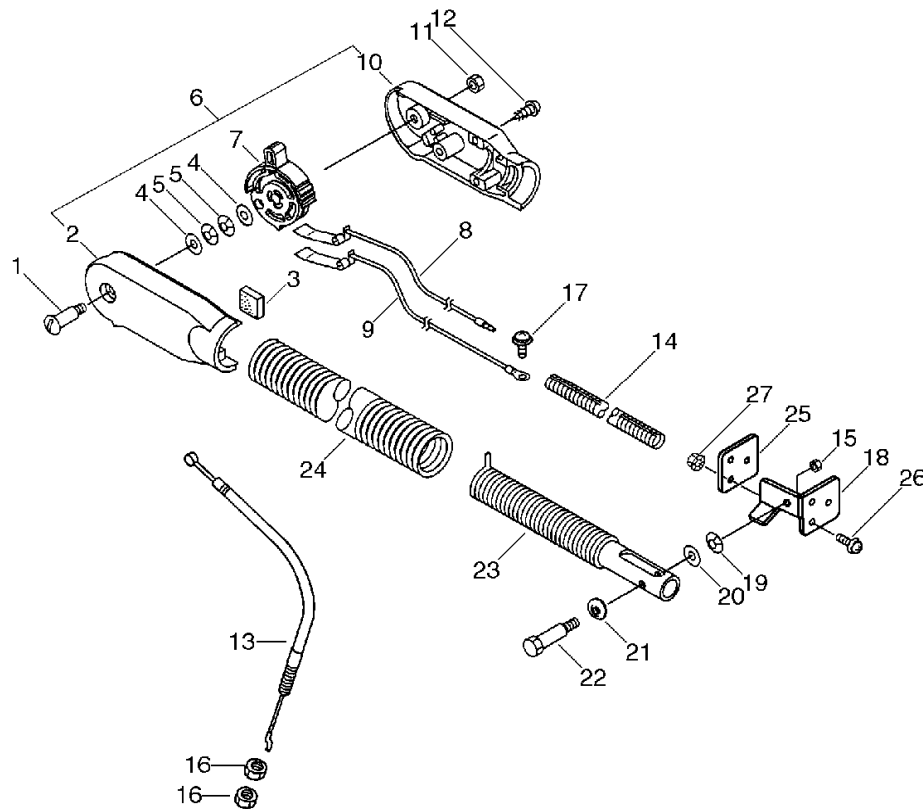
KEY	LV	PART NUMBER	Q'TY	DESCRIPTION	REMARKS	NOTE1	NOTE2
1		C620-000050	1	FRAME, BACKPACK		Sus. by C620-000051	
1		C620-000051	1	FRAME, BACKPACK			
2		104910-11410	3	CUSHION			
3		900515-00006	2	NUT, FLANGE 6	6		
4		250916-06210	3	NUT			
5		300105-08260	1	CUSHION, KNAPSACK	BL	Sus. by 300105-08261	
5		300105-08261	1	CUSHION, KNAPSACK			
6		300333-06160	4	CLIP		Sus. by V491-000120	
6		V491-000120	4	CLIP			
7		300300-08261	2	HARNESS, KNAPSACK		Sus. by P021-001760	
7		P021-001760	1	HARNESS, KNAPSACK			
8	+	91540-05014	2	SCREW, TRUSS			
9	+	300217-00610	4	WASHER			
10	+	900516-00005	2	NUT, FRANGE 5	5		

## 9. Hip Throttle



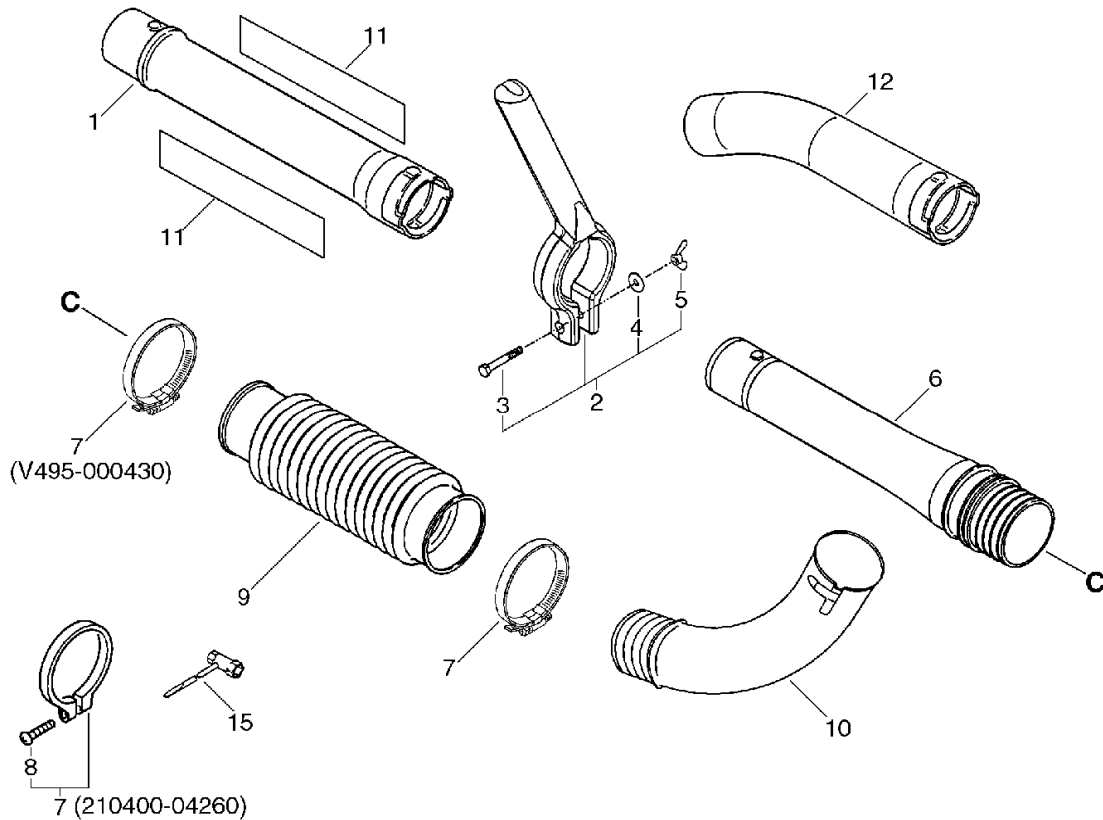
KEY	LV	PART NUMBER	Q'TY	DESCRIPTION	REMARKS	NOTE1	NOTE2
1		604030-21060	1	SCREW 4			
2		C471-000030	1	FIXTURE,TRIGGER		Sus. by P021-003010	
10		C471-000040	1	FIXTURE,TRIGGER		Sus. by P021-003010	
6		P021-003010	1	FIXTURE,TRIGGER SET			
2	+	C471-000050	1	FIXTURE,TRIGGER			
10	+	C471-000060	1	FIXTURE,TRIGGER			
3		104293-21060	1	PAD, FOAM	16*16*6T		
4		699118-04560	2	WASHER			
5		178160-21060	2	WASHER, FRICTION	6.6*14.3		
7		C453-000020	1	LEVER,THROTTLE		Sus. by C453-000021	
7		C453-000021	1	LEVER,THROTTLE			
8		V485-000060	1	LEAD			
9		V485-000120	1	LEAD		Sus. by V485-000122	
9		V485-000121	1	LEAD	660.00 MM W/TERM	Sus. by V485-000122	
9		V485-000122	1	LEAD	660.00 MM W/TERM		
11		900560-00004	1	LOCKNUT	4		
12		889950-21060	3	SCREW 5			
13		V430-000120	1	CABLE,BOWDEN			
14		162023-21061	1	TUBE			
15		900030-10008	1	NUT 1/4-20	1/4-20		

## 9. Hip Throttle



KEY	LV	PART NUMBER	Q'TY	DESCRIPTION	REMARKS	NOTE1	NOTE2
16		900502-00006	2	NUT 6 (3N)	3N6		
17		900238-05010	1	SCREW 5*10	5*10		
18		C625-000000	1	FIXTURE,B.FRAME			
19		701017-21060	1	WASHER		Sus. by 701017-21061	
19		701017-21061	1	WASHER			
20		694029-21060	1	WASHER			
21		178129-21060	1	WASHER, WAVE			
22		432617-21060	1	BOLT 6			
23		V475-000920	1	TUBE			
24		V475-000910	1	TUBE			
25		C625-000010	1	FIXTURE,B.FRAME			
26		900238-05016	3	SCREW 5*16	5*16		
27		900516-00005	3	NUT, FRANGE 5	5		

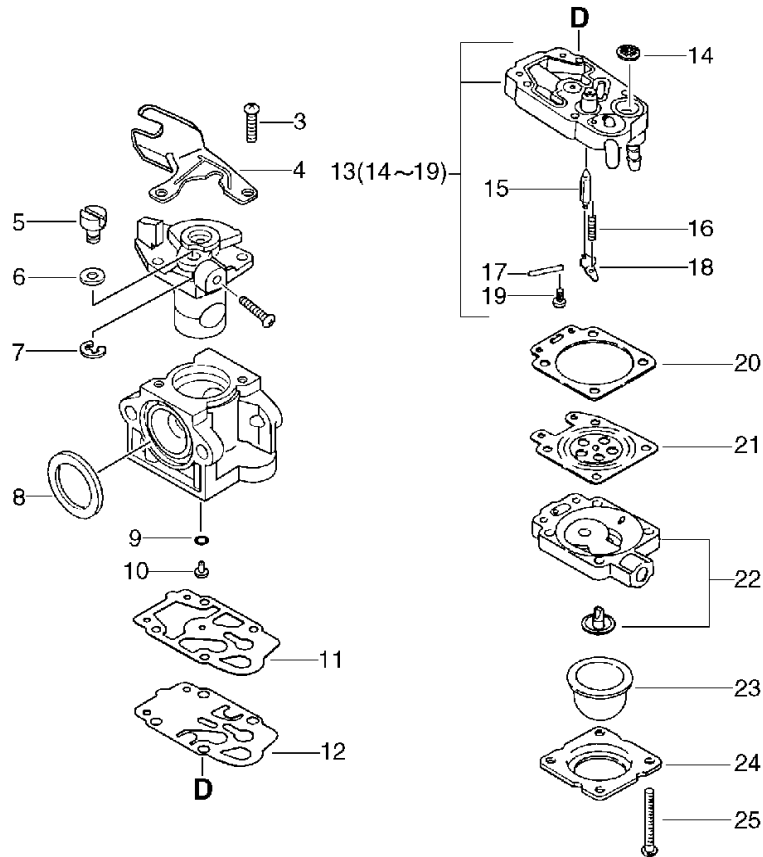
## 10. Blower Pipe, Tool



KEY	LV	PART NUMBER	Q'TY	DESCRIPTION	REMARKS	NOTE1	NOTE2
1		210015-03460	1	PIPE, STRAIGHT (BL)			
2		351300-09860	1	HANDLE ASY(PB-2) BL			
3	+	900100-06045	1	BOLT 6*45	6*45		
4	+	900600-00006	1	WASHER 6	6		
5	+	900525-00006	1	NUT, WING 6	BN6		
6		212005-07560	1	PIPE, BLOWER			
7		210400-04260	2	CLAMP W/SCREW		Sus. by V495-000430	
7		V495-000430	2	BAND	58.7MM / 82.5MM		
8	+	900235-05025	2	SCREW 5*25	5*25	Can be used on 210400-04260 only	
9		E164-000000	1	PIPE,FLEXIBLE			
10		E160-000041	1	PIPE,MAIN			
11		890118-04261	2	LABEL, ECHO		Sus. by 890118-04262	
11		890118-04262	2	LABEL, ECHO	194*44		
12		210023-03460	1	PIPE, CURVED (BL)			
15		895410-00430	1	WRENCH, W/S. DRIVER			

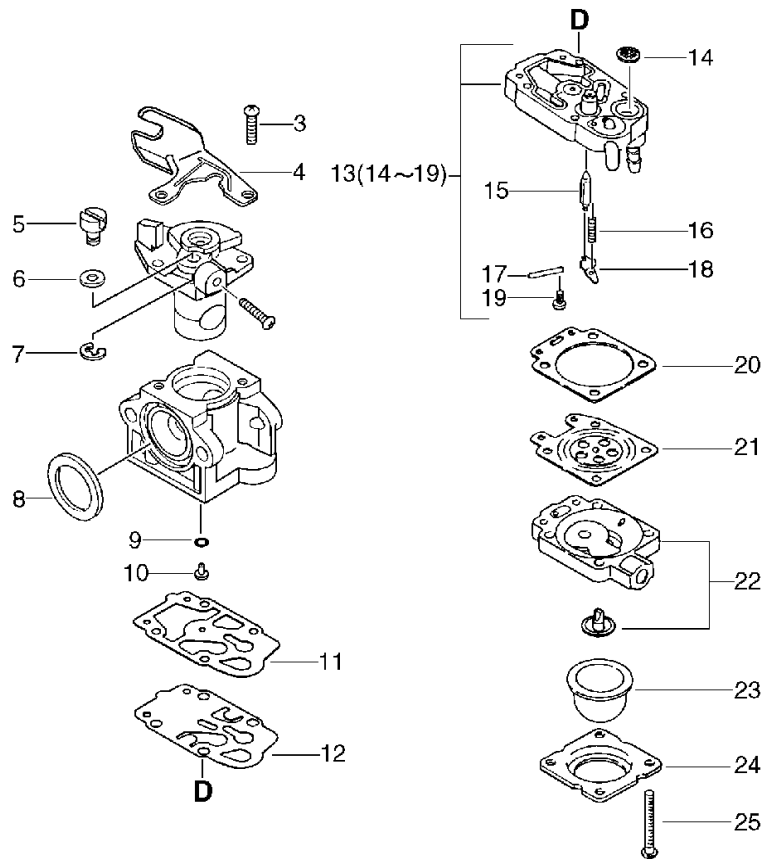


## 11. Carburetor



KEY	LV	PART NUMBER	Q'TY	DESCRIPTION	REMARKS	NOTE1	NOTE2
		A021-000120	1	CARBURETOR,DIAPHRAGM	WYJ-257	Sus. by A021-000122	
		A021-000121	1	CARBURETOR,DIAPHRAGM	WYJ-257	Sus. by A021-000122	
		A021-000122	1	CARBURETOR,DIAPHRAGM	WYJ-257A		
3	+	123114-40630	2	SCREW			
4	+	P003-000180	1	BRACKET CABLE			
5	+	123172-45130	1	SWIVEL			
6	+	123149-54230	1	WASHER			
7	+	123173-07930	1	CLIP			
8	+	123143-12110	1	RING, PACKING			
9	+	123183-40630	1	O-RING			
10	+	P003-000270	1	JET		Sus. by P003-000460	
10	+	P003-000460	1	JET			
11	+	P003-000100	1	GASKET, PUMP			
12	+	123112-40630	1	DIAPHRAGM, PUMP			
13	+	123179-05560	1	BODY ASSY, PUMP		Sus. by P003-000440	
13	+	P003-000440	1	BODY ASY, PUMP			
14	++	123126-10631	1	SCREEN, INLET			
15	++	123137-19830	1	VALVE, INLET NEEDLE			
16	++	123122-05560	1	SPRING, METER. LEVER		Sus. by P003-000450	
16	++	P003-000450	1	SPRING, METER. LEVER			
17	++	123138-03930	1	PIN, METERING LEVER			

## 11. Carburetor



KEY	LV	PART NUMBER	Q'TY	DESCRIPTION	REMARKS	NOTE1	NOTE2
18	++	123123-03930	1	LEVER, METERING			
19	++	123139-05560	1	SCREW, M. LEVER PIN			
20	+	123140-05560	1	GASKET, M. DIAPHRAGM			
21	+	P003-000090	1	METERING, DIAPHRAGM			
22	+	123180-05560	1	BODY, AIR PURGE			
23	+	123181-40630	1	PUMP, PRIMER			
24	+	123142-05560	1	COVER, PRIMER PUMP			
25	+	123110-05560	4	SCREW, PUMP COVER			

## 12. Repair Kit

KEY	LV	PART NUMBER	Q'TY	DESCRIPTION	REMARKS	NOTE1	NOTE2
		P003-000200	1	DIAPHRAGM/GASKET KIT	WYJ-250		
11-8	+	123143-12110	1	RING, PACKING			
11-11	+	P003-000100	1	GASKET, PUMP			
11-12	+	123112-40630	1	DIAPHRAGM, PUMP			
11-20	+	123140-05560	1	GASKET, M. DIAPHRAGM			
	+	123125-40630	1	GASKET, PUMP			
	+	123140-02960	1	GASKET, M. DIAPHRAGM			
	+	123141-03930	1	DIAPHRAGM, METERING			
	+	123159-40630	1	GASKET, PLATE			
		P003-000190	1	REPAIR KIT	WYJ-250		
11-8	+	123143-12110	1	RING, PACKING			
11-11	+	P003-000100	1	GASKET, PUMP			
11-12	+	123112-40630	1	DIAPHRAGM, PUMP			
11-14	+	123126-10631	1	SCREEN, INLET			
11-15	+	123137-19830	1	VALVE, INLET NEEDLE			
11-18	+	123123-03930	1	LEVER, METERING			
11-20	+	123140-05560	1	GASKET, M. DIAPHRAGM			
	+	123125-40630	1	GASKET, PUMP			
	+	123140-02960	1	GASKET, M. DIAPHRAGM			
	+	123141-03930	1	DIAPHRAGM, METERING			
	+	123159-40630	1	GASKET, PLATE			

**Index**

<b>Patrs Number</b>	<b>Key No.</b>	<b>Patrs Number</b>	<b>Key No.</b>	<b>Patrs Number</b>	<b>Key No.</b>
100014-55930	1 - 10	130310-51830	5 - 4	432617-21060	9 - 22
100015-04630	1 - 9	130406-52130	5 - 2	437210-15130	6 - 13
100132-05660	7 - 6	130406-52131	5 - 2	437217-20760	6 - 12
100212-28230	1 - 18	131004-55530	6 - 1	604030-21060	9 - 1
100213-05530	1 - 14	131016-55830	6 - 2	694029-21060	9 - 20
100242-55930	1 - 17	131051-56030	6 - 3	699118-04560	9 - 4
104293-21060	9 - 3	131205-19830	6 - 17	701017-21060	9 - 19
104910-11410	8 - 2	131300-56430	6 - 10	701017-21061	9 - 19
123110-05560	11 - 25	131328-40630	6 - 11	889950-21060	9 - 12
123112-40630	11 - 12	132010-14010	6 - 14	890118-04261	10 - 11
123112-40630	12 - 11-12	132013-26630	6 - 16	890118-04262	10 - 11
123112-40630	12 - 11-12	132115-55930	6 - 15	890118-49330	3 - 14
123114-40630	11 - 3	145510-42031	5 - 14	890160-06361	1 - 21
123122-05560	11 - 16	145510-42032	5 - 14	890160-09461	7 - 15
123123-03930	11 - 18	145862-40630	5 - 16	890332-52730	5 - 3
123123-03930	12 - 11-18	156112-40630	2 - 23	895410-00430	10 - 15
123125-40630	12 -	159010-10230	2 - 22	900030-10008	9 - 15
123125-40630	12 -	159011-03432	2 - 21	900100-06045	10 - 3
123126-10631	11 - 14	159012-03433	2 - 20	900105-05060	5 - 23
123126-10631	12 - 11-14	162023-21061	9 - 14	900106-05025	5 - 11
123137-19830	11 - 15	177200-09560	3 - 5	900162-05016	2 - 17
123137-19830	12 - 11-15	177202-44330	3 - 1	900162-05016	5 - 24
123138-03930	11 - 17	177202-44331	3 - 1	900162-05020	7 - 9
123139-05560	11 - 19	177215-05960	3 - 7	900162-05022	1 - 4
123140-02960	12 -	177218-40630	4 - 41	900162-05025	1 - 19
123140-02960	12 -	177218-44330	3 - 3	900163-04016	3 - 13
123140-05560	11 - 20	177220-42030	3 - 8	900163-04016	4 - 33
123140-05560	12 - 11-20	177226-05310	3 - 10	900235-05025	10 - 8
123140-05560	12 - 11-20	177227-09560	3 - 11	900238-05010	9 - 17
123141-03930	12 -	177228-06530	3 - 12	900238-05016	9 - 26
123141-03930	12 -	177228-27030	4 - 21	900242-04010	5 - 21
123142-05560	11 - 24	177234-40630	4 - 42	900242-05010	1 - 1
123143-12110	11 - 8	177234-42030	3 - 2	900242-05020	7 - 9
123143-12110	12 - 11-8	177236-44330	3 - 6	900242-05060	5 - 5
123143-12110	12 - 11-8	177246-11120	4 - 20	900253-05016	7 - 1
123149-54230	11 - 6	178129-21060	9 - 21	900253-05016	7 - 11
123159-40630	12 -	178160-21060	9 - 5	900253-05020	1 - 22
123159-40630	12 -	200124-09560	7 - 2	900253-05020	4 - 15
123172-45130	11 - 5	210015-03460	10 - 1	900253-05020	7 - 3
123173-07930	11 - 7	210023-03460	10 - 12	900256-05010	7 - 13
123179-05560	11 - 13	210400-04260	10 - 7	900500-00008	7 - 5
123180-05560	11 - 22	212005-07560	10 - 6	900502-00006	9 - 16
123181-40630	11 - 23	250916-06210	8 - 4	900515-00006	8 - 3
123183-40630	11 - 9	300105-08260	8 - 5	900516-00005	8 - 10
129011-57730	5 - 6	300105-08261	8 - 5	900516-00005	9 - 27
129011-57731	5 - 6	300217-00610	8 - 9	900525-00006	10 - 5
130010-13410	5 - 9	300300-08261	8 - 7	900560-00004	9 - 11
130010-55930	5 - 12	300333-06160	8 - 6	900600-00005	5 - 22
130307-57730	5 - 7	351300-09860	10 - 2	900600-00006	10 - 4

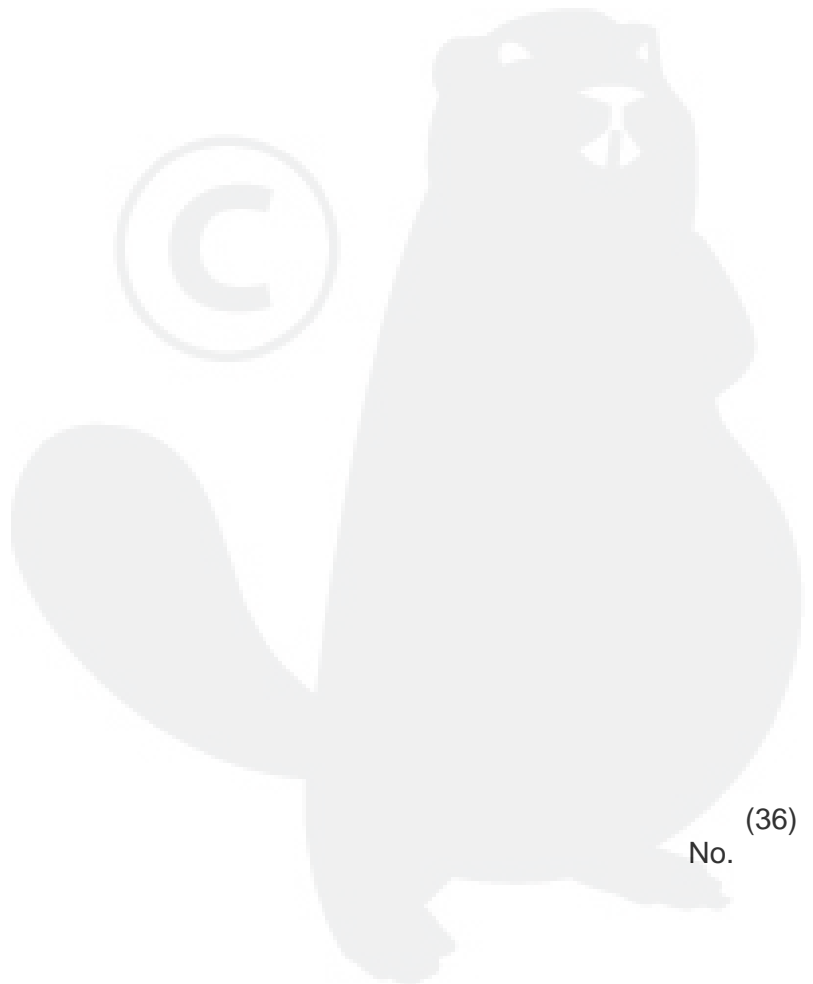
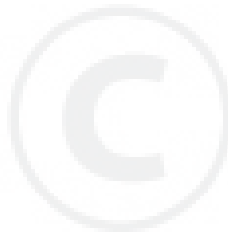
**Index**

<b>Patrs Number</b>	<b>Key No.</b>	<b>Patrs Number</b>	<b>Key No.</b>	<b>Patrs Number</b>	<b>Key No.</b>
900702-00028	1 - 16	P003-000100	12 - 11-11	V485-000121	9 - 9
900800-36001	1 - 15	P003-000100	12 - 11-11	V485-000122	9 - 9
91367-04010	5 - 21	P003-000180	11 - 4	V491-000120	8 - 6
91540-05014	8 - 8	P003-000190	12 -	V495-000430	10 - 7
A011-000030	1 - 12	P003-000200	12 -	V553-000000	1 - 11
A011-000031	1 - 12	P003-000270	11 - 10	V553-000020	1 - 11
A021-000120	11 -	P003-000440	11 - 13	V606-000000	1 - 8
A021-000120	5 - 8	P003-000450	11 - 16	X502-000031	4 - 18
A021-000121	11 -	P003-000460	11 - 10	X502-000032	4 - 18
A021-000121	5 - 8	P021-000940	1 - 13	X502-000240	4 - 18
A021-000122	11 -	P021-000941	1 - 13	X503-000870	1 - 24
A021-000122	5 - 8	P021-001480	5 - 13	X503-003280	1 - 24
A051-000320	4 - 19	P021-001481	5 - 13	X503-003281	1 - 24
A051-000321	4 - 19	P021-001482	5 - 13	X505-000620	4 - 45
A052-000110	4 - 40	P021-001680	1 - 6		
A101-000010	1 - 7	P021-001760	8 - 7		
A130-000121	1 - 3	P021-002360	1 - 6		
A130-000122	1 - 3	P021-003010	9 - 6		
A160-000120	1 - 2	P022-002100	4 - 43		
A190-000011	1 - 20	P022-004600	4 - 25		
A200-000021	5 - 10	P022-004610	4 - 22		
A232-000040	5 - 1	P022-004620	4 - 23		
A232-000041	5 - 1	P022-004630	4 - 31		
A313-000080	5 - 20	P022-004660	4 - 27		
A313-000110	5 - 19	P022-004670	4 - 28		
A350-000022	6 - 7	P022-004680	4 - 24		
A350-000023	6 - 7	P022-004690	4 - 26		
A356-000030	6 - 10	P022-004700	4 - 29		
A409-000020	2 - 15	P022-004710	4 - 30		
A411-000010	2 - 19	V100-000010	1 - 5		
C453-000020	9 - 7	V104-000030	5 - 17		
C453-000021	9 - 7	V104-000031	5 - 17		
C471-000030	9 - 2	V104-000032	5 - 17		
C471-000040	9 - 10	V104-000040	5 - 15		
C471-000050	9 - 2	V104-000041	5 - 15		
C471-000060	9 - 10	V104-000050	5 - 18		
C620-000050	8 - 1	V104-000051	5 - 18		
C620-000051	8 - 1	V104-000350	5 - 18		
C625-000000	9 - 18	V376-000350	4 - 35		
C625-000010	9 - 25	V420-000260	6 - 5		
E100-000020	7 - 7	V420-000270	6 - 8		
E101-000000	2 - 16	V420-000280	6 - 6		
E103-000040	7 - 8	V420-000390	6 - 5		
E103-000050	7 - 4	V430-000120	9 - 13		
E109-000000	7 - 10	V475-000910	9 - 24		
E160-000041	10 - 10	V475-000920	9 - 23		
E164-000000	10 - 9	V485-000040	2 - 24		
P003-000090	11 - 21	V485-000060	9 - 8		
P003-000100	11 - 11	V485-000120	9 - 9		

# YAMABIKO CORPORATION

7-2 SUEHIROCHO 1-CHOME, OHME, TOKYO 198-8760, JAPAN  
PHONE: 81-428-32-6118. FAX: 81-428-32-6145.

**ECHO**<sup>®</sup>



(36)  
No.