



PARTS CATALOG

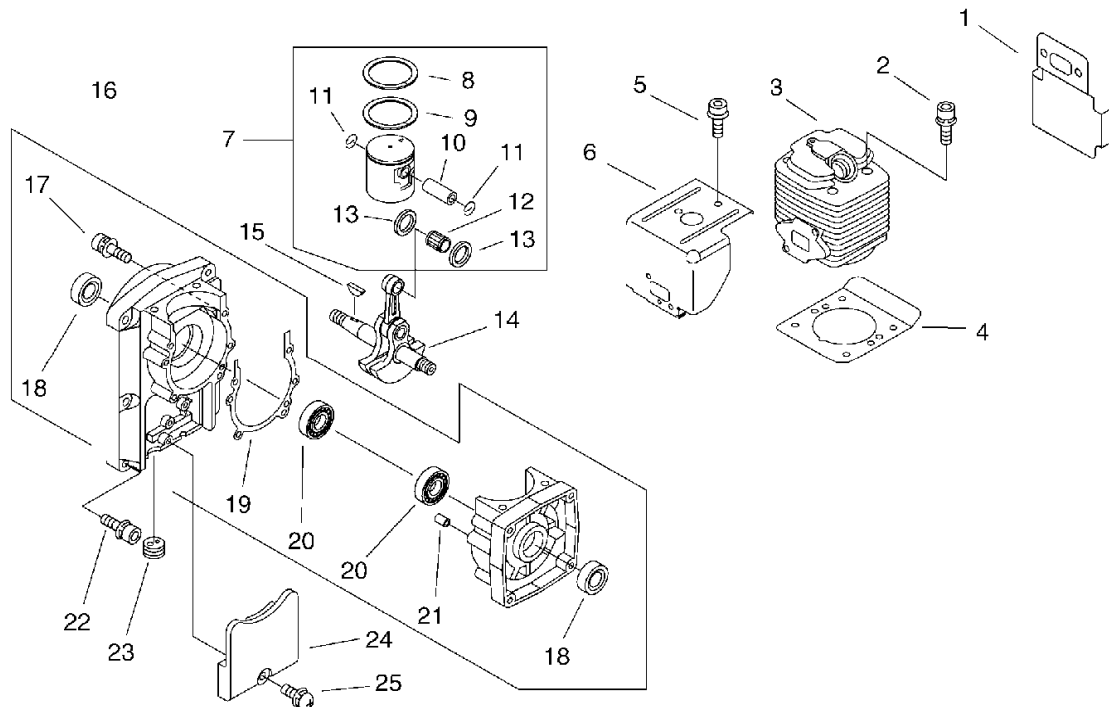
BACKPACK BLOWER

PB-755(36)

36009868 - 36011017

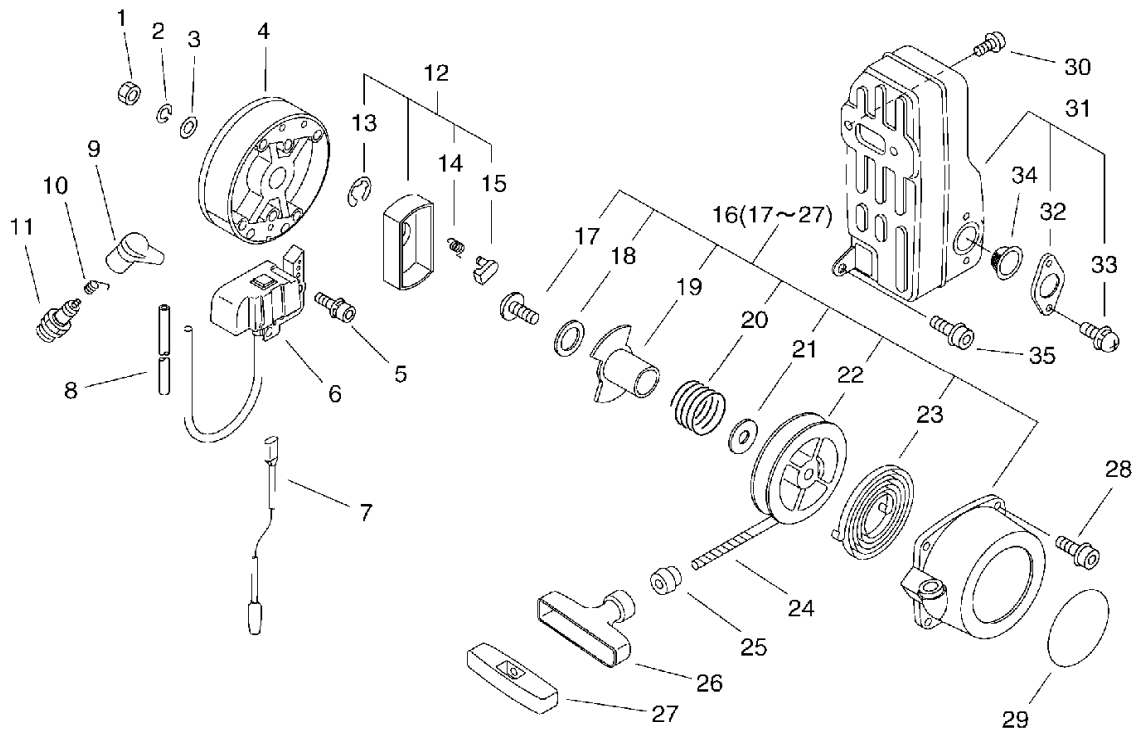
P014-000580-10Hb

1. CYLINDER, CRANKCASE, PISTON



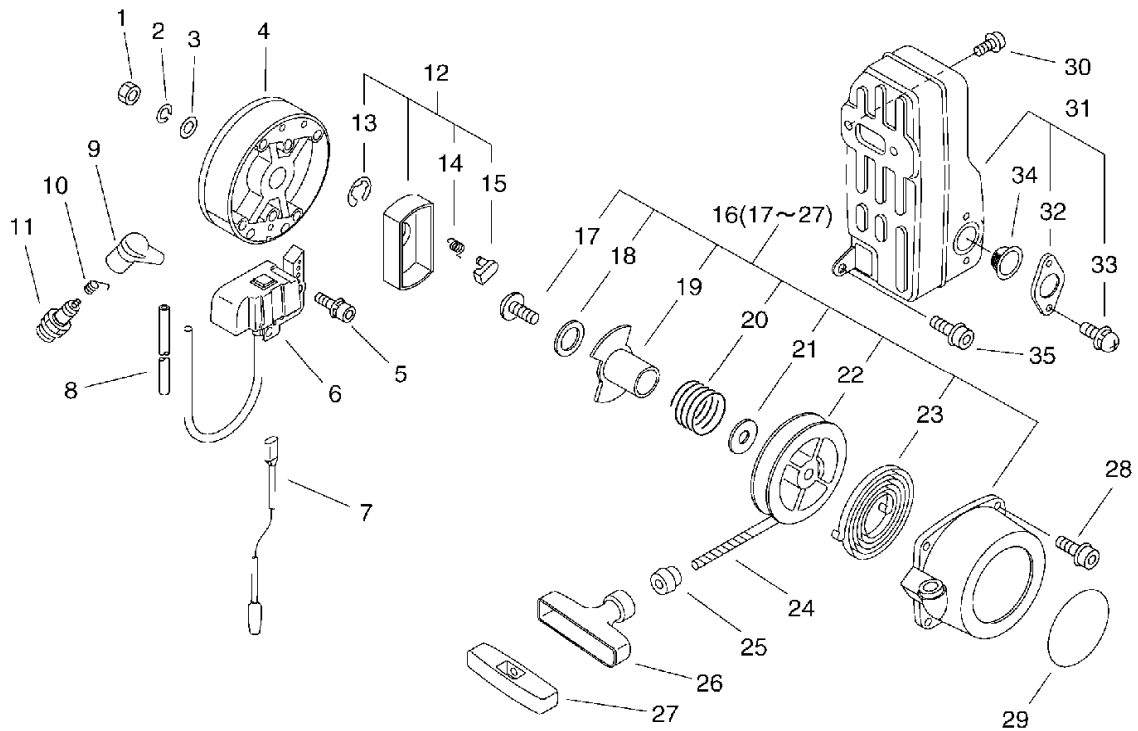
| KEY | LV | PART NUMBER | Q'TY | DESCRIPTION | REMARKS | NOTE1 | NOTE2 |
|-----|----|--------------|------|---------------------|--------------|-------|-------|
| 1 | | V104-000720 | 1 | GASKET, EXHAUST | | | |
| 2 | | 900162-05025 | 4 | BOLT, H.S. 5*25 | 5*25 W,SW | | |
| 3 | | A130-000512 | 1 | CYLINDER | | | |
| 4 | | V100-000100 | 1 | GASKET, CYL | | | |
| 5 | | 900106-05008 | 2 | BOLT, H.S. 5* 8 | 5*8 | | |
| 6 | | A160-000340 | 1 | COVER, CYLINDER | | | |
| 7 | | P021-002982 | 1 | PISTON KIT | | | |
| 8 | + | A101-000030 | 1 | RING, PISTON | | | |
| 9 | + | A101-000020 | 1 | RING, PISTON | | | |
| 10 | + | V608-000010 | 1 | PIN, ENG 10 | 6*10*40 | | |
| 11 | + | 100015-00120 | 2 | CIRCLIP, PISTON PIN | | | |
| 12 | + | V555-000010 | 1 | BEARING, NEEDLE 10 | | | |
| 13 | + | V307-000060 | 2 | WASHER, CIRCULAR 10 | | | |
| 14 | | A011-000140 | 1 | CRANKSHAFT, ASM | | | |
| 15 | | 900323-03014 | 1 | KEY WOODRUFF | 3*14 | | |
| 16 | | P021-002991 | 1 | CRANKCASE KIT | | | |
| 17 | + | 900162-05035 | 4 | BOLT, H.S. 5*35 | 5*35 W,SW | | |
| 18 | + | V508-000010 | 2 | SEAL, OIL 15 | ISCD 15*25*7 | | |
| 19 | + | V102-000010 | 1 | GASKET, CRANKCASE | | | |
| 20 | + | 94032-36302 | 2 | BEARING BALL | BB-6302 | | |
| 21 | + | 100215-03930 | 2 | PIN, DOWEL | | | |
| 22 | | 900162-06035 | 6 | BOLT, H.S. 6*35 | 6*35 W,SW | | |
| 23 | | 151112-04630 | 1 | BUSHING | | | |
| 24 | | 159129-08261 | 1 | COVER, DUST | | | |
| 25 | | 900162-05022 | 1 | BOLT, H.S. 5*22 | 5*22 W,SW | | |
| 30 | | V103-000140 | 1 | GASKET, INTAKE | | | |

2. STARTER, MAGNETO, MUFFLER



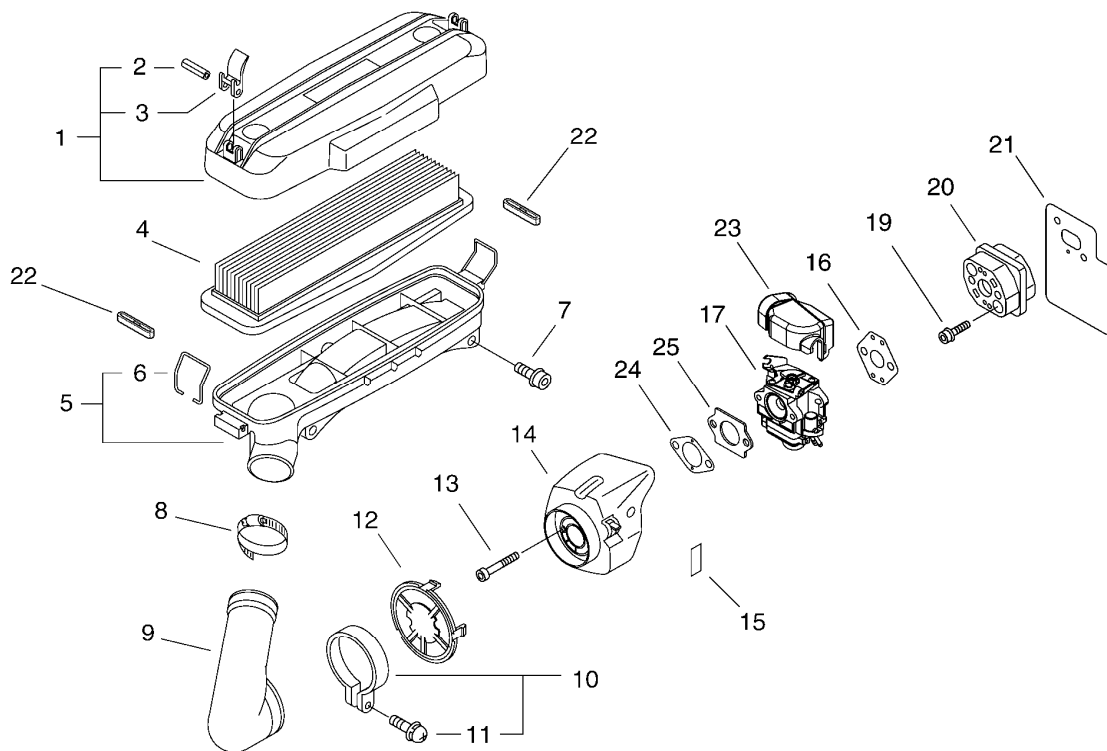
| KEY | LV | PART NUMBER | Q'TY | DESCRIPTION | REMARKS | NOTE1 | NOTE2 |
|-----|----|--------------|------|----------------------|----------------|-------|-------|
| 1 | | 900501-00010 | 1 | NUT 10*1.25 | 10*P1.25 | | |
| 2 | | 900605-00010 | 1 | WASHER, SPRING 10 | 10 | | |
| 3 | | 900602-00010 | 1 | WASHER 10(10.5*21*2) | 10.5*21*2 | | |
| 4 | | A409-000250 | 1 | ROTOR, MAGNETO | VAMAG ID C9014 | | |
| 5 | | 900162-05022 | 2 | BOLT, H.S. 5*22 | 5*22 W,SW | | |
| 6 | | A415-000000 | 1 | MODULE, CDI | | | |
| 7 | | V485-000190 | 1 | LEAD | | | |
| 8 | | 156111-06160 | 1 | TUBE 6.3*8*380 | 6.3*8*380 | | |
| 9 | | 159012-03433 | 1 | CAP, SPARK PLUG | | | |
| 10 | | 159011-03432 | 1 | COIL, SPARK PLUG | | | |
| 11 | | A425-000000 | 1 | SPARKPLUG | BPMR8Y | | |
| 12 | | A052-000042 | 1 | PULLEY, ASM STARTER | | | |
| 13 | + | P022-002100 | 2 | E-RING | 4 | | |
| 14 | + | P022-003130 | 2 | SPRING, RETURN | | | |
| 15 | + | P022-003120 | 2 | PAWL, STARTER | | | |
| 16 | | A051-000841 | 1 | STARTER, RECOIL | | | |
| 17 | + | 177236-61830 | 1 | SCREW | | | |
| 18 | + | P022-010250 | 1 | WASHER, THRUST | | | |
| 19 | + | P022-010220 | 1 | PLATE, FRICTION | | | |
| 20 | + | P022-010231 | 1 | SPRING, FRICTION | | | |
| 21 | + | V303-000050 | 1 | WASHER, CIRCULAR 5 | | | |
| 22 | + | A506-000040 | 1 | REEL, ROPE | | | |
| 23 | + | P022-004680 | 1 | SPRING, SPIRAL | | | |
| 24 | + | P022-010270 | 1 | ROPE | | | |
| 25 | + | 177227-42030 | 1 | GUIDE, ROPE | | | |

2. STARTER, MAGNETO, MUFFLER



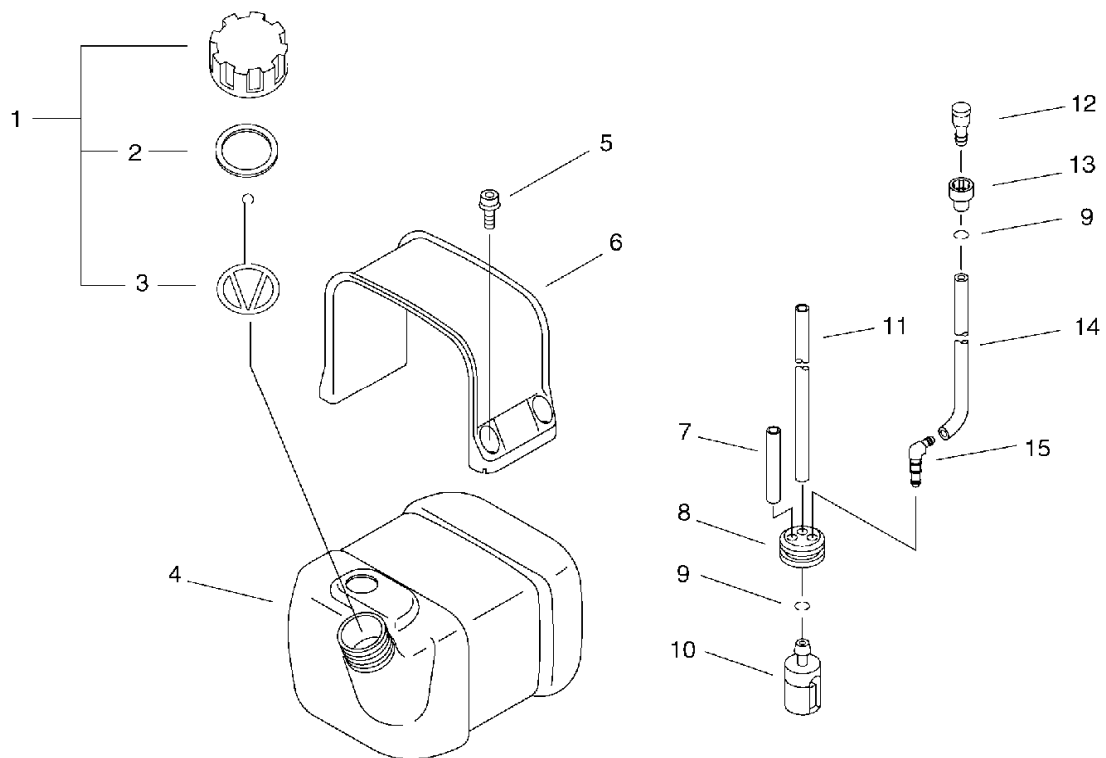
| KEY | LV | PART NUMBER | Q'TY | DESCRIPTION | REMARKS | NOTE1 | NOTE2 |
|-----|----|--------------|------|-----------------|--------------|-------|-------|
| 26 | + | 177228-11620 | 1 | GRIP, STARTER | | | |
| 27 | + | P022-010260 | 1 | CAP, GRIP | | | |
| 28 | | 900106-05014 | 4 | BOLT, H.S. 5*14 | 5*14 | | |
| 29 | | X502-000460 | 1 | LABEL,ECHO | | | |
| 30 | | 91107-06020 | 2 | BOLT HSH FLANGE | M6*20 | | |
| 31 | | P021-008210 | 1 | MUFFLER ASY | | | |
| 32 | + | A313-000310 | 1 | GUIDE,EXH | | | |
| 33 | + | 91367-04010 | 2 | SCREW | 4*10/SW(SUS) | | |
| 34 | | A310-000000 | 1 | SCREEN,ARRESTOR | | | |
| 35 | | 900106-05014 | 1 | BOLT, H.S. 5*14 | 5*14 | | |

3. AIR CLEANER, CARBURETOR



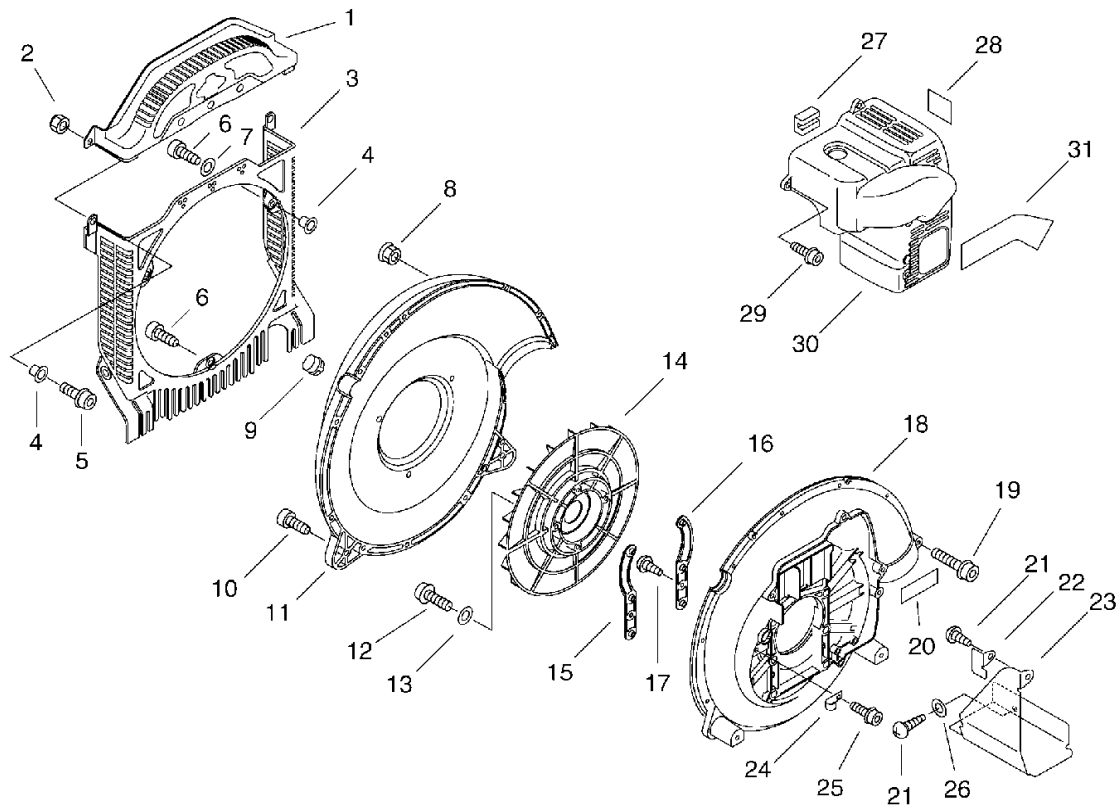
| KEY | LV | PART NUMBER | Q'TY | DESCRIPTION | REMARKS | NOTE1 | NOTE2 |
|-----|----|--------------|------|----------------------|-----------------|-------|-------|
| 1 | | A232-000170 | 1 | LID,CLEANER | | | |
| 2 | + | 900345-30025 | 2 | PIN, SPRING 3*25 | 3*25 | | |
| 3 | + | 130341-08260 | 2 | KNOB | | | |
| 4 | | 130305-08361 | 1 | FILTER, AIR | | | |
| 5 | | P021-014460 | 1 | CASE, AIR CLEANER | | | |
| 6 | + | 131032-08360 | 2 | CLIP | | | |
| 22 | + | V491-000220 | 2 | CLIP | AIR FILTER CLIP | | |
| 7 | | 900106-05035 | 2 | BOLT, H.S. 5*35 | 5*35 | | |
| 8 | | V495-000590 | 1 | BAND | 33MM /57MM | | |
| 9 | | A239-000010 | 1 | PIPE,INTAKE | | | |
| 10 | | P021-043140 | 1 | CLAMP W/SCREW | | | |
| 11 | + | 900238-05025 | 1 | SCREW 5*25 | 5*25 | | |
| 12 | | A244-000060 | 1 | PLATE,PREVENT | | | |
| 13 | | 900105-05055 | 2 | BOLT, H.S. 5*55 | 5*55 | | |
| 14 | | P021-005690 | 1 | CLEANER CASE ASY | | | |
| 15 | | 890332-52730 | 1 | LABEL, CHOKE | | | |
| 16 | | V103-000080 | 1 | GASKET,INTAKE | | | |
| 17 | | A021-000810 | 1 | CARBURETOR,DIAPHRAGM | WYK-192 | | |
| 19 | | 900106-05025 | 2 | BOLT, H.S. 5*25 | 5*25 | | |
| 20 | | A200-000070 | 1 | INSULATOR,INTAKE | | | |
| 21 | | V103-000130 | 1 | GASKET,INTAKE | | | |
| 23 | | A246-000000 | 1 | CAP,CARBURETOR | | | |
| 24 | | 130016-03731 | 1 | GASKET, CARBURETOR | | | |
| 25 | | V376-001090 | 1 | SPACER | | | |

4. FUEL TANK



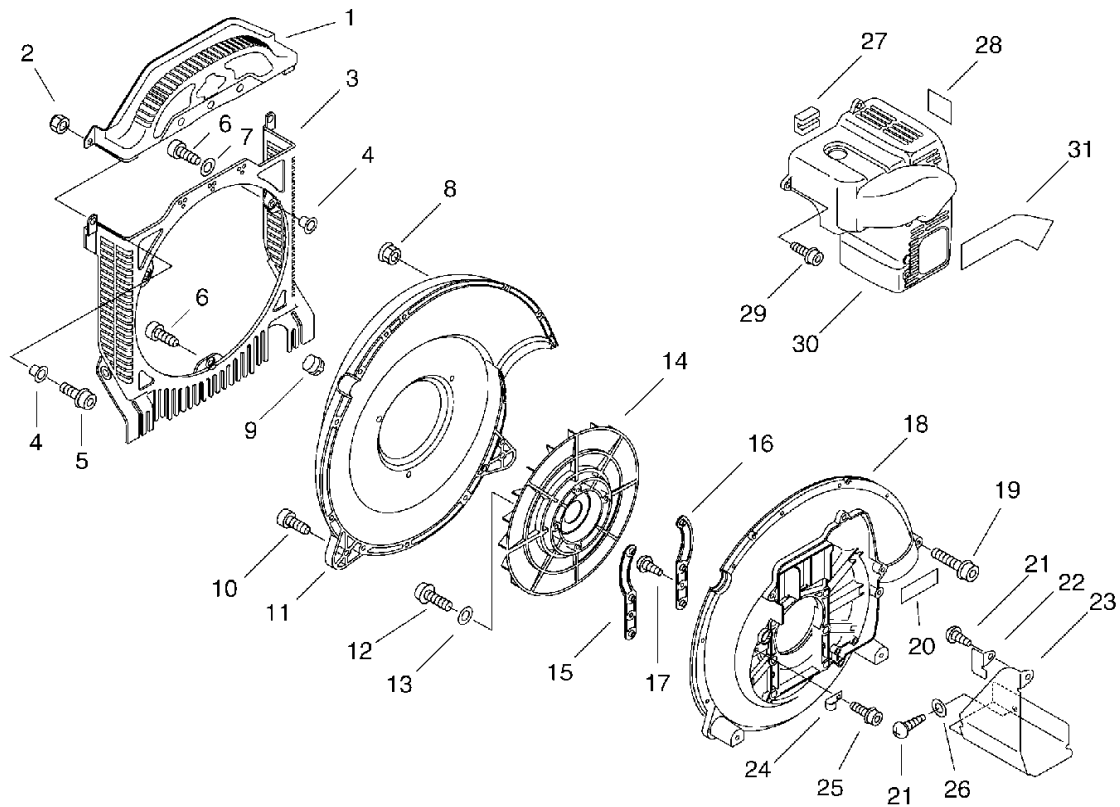
| KEY | LV | PART NUMBER | Q'TY | DESCRIPTION | REMARKS | NOTE1 | NOTE2 |
|-----|----|--------------|------|---------------------|---------|-------|-------|
| 1 | | 131004-55530 | 1 | CAP ASSY, FUEL TANK | | | |
| 2 | + | 131016-55830 | 1 | GASKET, FUEL CAP | | | |
| 3 | + | 131051-56030 | 1 | CLIP, FUEL CAP | 100L | | |
| 4 | | A350-000151 | 1 | TANK, FUEL | | | |
| 5 | | 900106-05016 | 4 | BOLT, H.S. 5*16 | 5*16 | | |
| 6 | | A392-000000 | 1 | BAND, FUEL TANK | | | |
| 7 | | V471-000550 | 1 | PIPE | 3*6*145 | | |
| 8 | | 132115-55930 | 1 | GROMMET, FUEL | | | |
| 9 | | 132013-26630 | 2 | CLIP | 6.5MM | | |
| 10 | | 131205-19831 | 1 | STRAINER, FUEL | | | |
| 11 | | 132010-35430 | 1 | PIPE 3*6*230 | 3*6*230 | | |
| 12 | | A356-000030 | 1 | VALVE, CHECK | | | |
| 13 | | 131328-40630 | 1 | COVER, VENT | | | |
| 14 | | V471-000610 | 1 | PIPE | 3*6*145 | | |
| 15 | | V186-000080 | 1 | JOINT, PIPE | | | |

5. FAN CASE



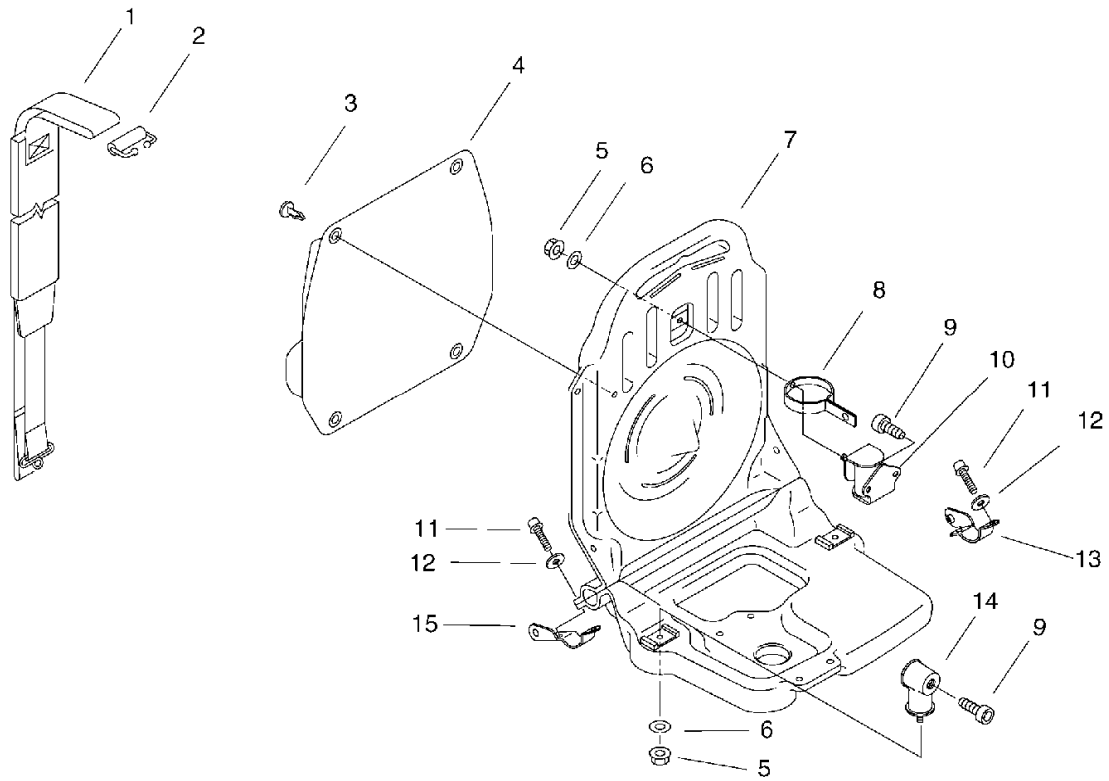
| KEY | LV | PART NUMBER | Q'TY | DESCRIPTION | REMARKS | NOTE1 | NOTE2 |
|-----|----|--------------|------|-------------------|------------|-------|-------|
| 1 | | E104-000041 | 1 | GRID,BLOWER | | | |
| 2 | | 900562-50005 | 4 | LOCKNUT 5 | 5 | | |
| 3 | | E104-000051 | 1 | GRID,BLOWER | | | |
| 4 | | 104915-08260 | 6 | SPACER | | | |
| 5 | | 900106-05020 | 4 | BOLT, H.S. 5*20 | 5*20 | | |
| 6 | | 91145-05020 | 3 | BOLT HS TAPPING | 5*20 | | |
| 7 | | 613019-07350 | 2 | WASHER 5.5*16*2T | 5.5*16*2T | | |
| 8 | | 900516-00005 | 2 | NUT, FRANGE 5 | 5 | | |
| 9 | | E109-000010 | 1 | LID,FANCASE | | | |
| 10 | | 91145-05020 | 12 | BOLT HS TAPPING | 5*20 | | |
| 11 | | E103-000350 | 1 | CASE,FAN | | | |
| 12 | | 900105-06035 | 4 | BOLT, H.S. 6*35 | 6*35 | | |
| 13 | | 145642-06230 | 4 | WASHER | | | |
| 14 | | E100-000041 | 1 | FAN,BLOWER | | | |
| 15 | | C632-000042 | 1 | PLATE,ENG | | | |
| 16 | | C632-000052 | 1 | PLATE,ENG | | | |
| 17 | | 900246-05014 | 2 | SCREW 5*14 | 5*14 | | |
| 18 | | E103-000341 | 1 | CASE,FAN | | | |
| 19 | | 900105-05060 | 2 | BOLT, H.S. 5*60 | 5*60 | | |
| 20 | | 890160-09461 | 1 | LABEL, CAUTION | | | |
| 21 | | 900253-05010 | 2 | SCREW 5*10 | 5*10 | | |
| 22 | | V152-000770 | 1 | PLATE,ANGLE | | | |
| 23 | | A322-000020 | 1 | INSULATOR,MUFFLER | | | |
| 24 | | 178111-22330 | 1 | CLIP | | | |
| 25 | | 91145-05016 | 1 | BOLT HS TAPPING | 5*16 | | |
| 26 | | 900603-00005 | 1 | WASHER 5 | 5.5*12*0.8 | | |

5. FAN CASE



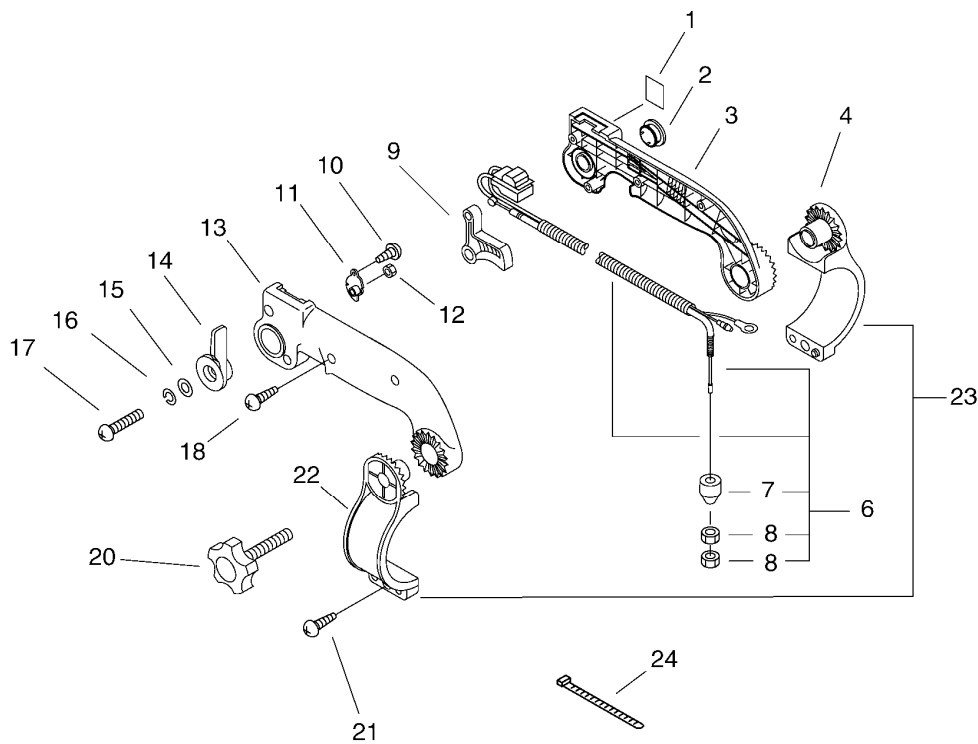
| KEY | LV | PART NUMBER | Q'TY | DESCRIPTION | REMARKS | NOTE1 | NOTE2 |
|-----|----|-------------|------|-----------------|-------------|-------|-------|
| 27 | | V420-000570 | 1 | CUSHION | | | |
| 28 | | X505-002310 | 1 | LABEL,CAUTION | HOT CAUTION | | |
| 29 | | 91145-05020 | 4 | BOLT HS TAPPING | 5*20 | | |
| 30 | | A190-000111 | 1 | COVER,ENGINE | | | |
| 31 | | X503-007441 | 1 | LABEL,MODEL | PB-755 EU | | |

6. BACKPACK HARNESS



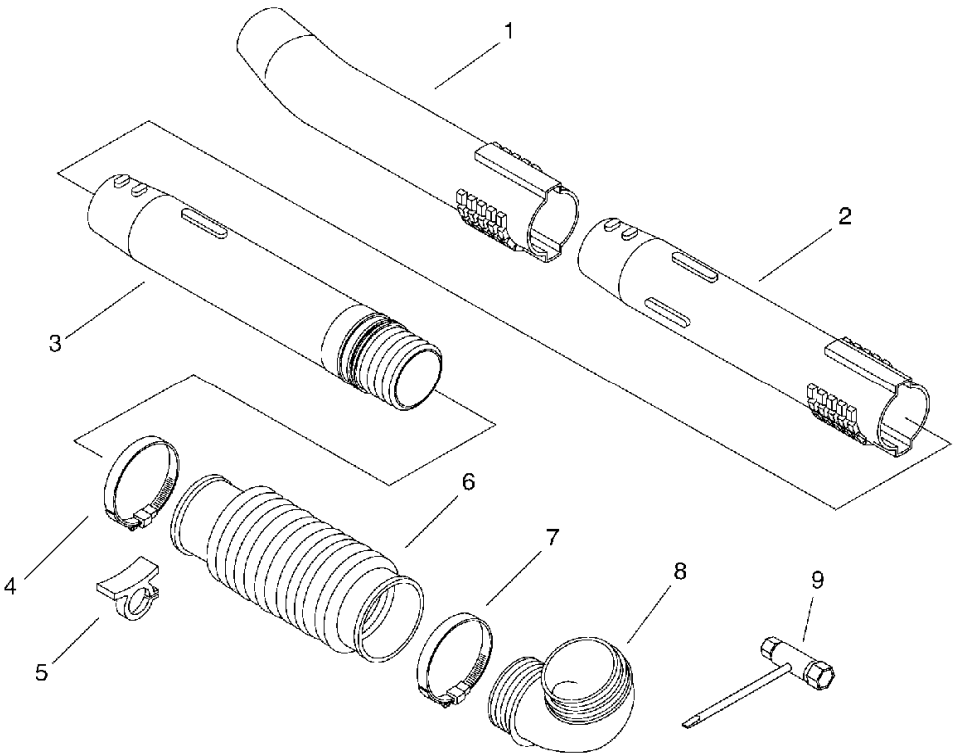
| KEY | LV | PART NUMBER | Q'TY | DESCRIPTION | REMARKS | NOTE1 | NOTE2 |
|-----|----|--------------|------|----------------------|------------------|-------|-------|
| 1 | | C061-000111 | 2 | HARNESS,ASM BACKPACK | ECHO SCREEN PRNT | | |
| 2 | | V491-000040 | 2 | CLIP | | | |
| 3 | | V491-000120 | 4 | CLIP | | | |
| 4 | | 300105-08261 | 1 | CUSHION, KNAPSACK | | | |
| 5 | | 900516-00005 | 3 | NUT, FRANGE 5 | 5 | | |
| 6 | | 613019-07350 | 3 | WASHER 5.5*16*2T | 5.5*16*2T | | |
| 7 | | C066-000004 | 1 | FRAME,ASM BACKPACK | | | |
| 8 | | C617-000150 | 1 | STOPPER | | | |
| 9 | | 91145-05016 | 4 | BOLT HS TAPPING | 5*16 | | |
| 10 | | 100905-08261 | 1 | CUSHION | | | |
| 11 | | 900105-05020 | 4 | BOLT, H.S. 5*20 | 5*20 | | |
| 12 | | 613019-07350 | 4 | WASHER 5.5*16*2T | 5.5*16*2T | | |
| 13 | | C626-000010 | 1 | FIXTURE,HARNESS | | | |
| 14 | | V401-000070 | 2 | CUSHION,5 | | | |
| 15 | | C626-000030 | 1 | FIXTURE,HARNESS | | | |
| 16 | | V491-000110 | 1 | CLIP | .308/.433 CABLE | | |

7. THROTTLE



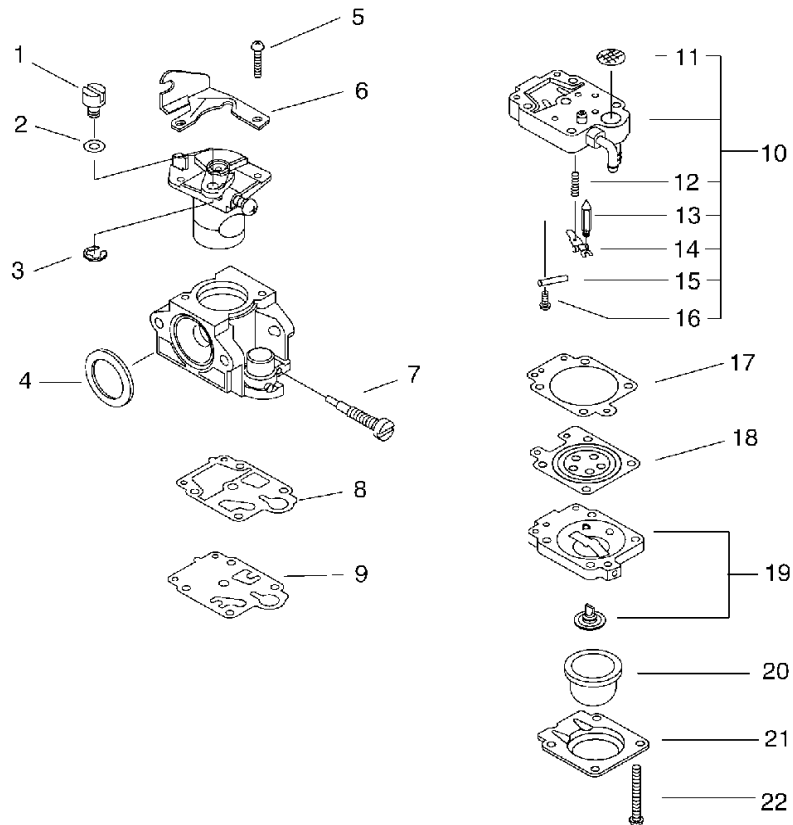
| KEY | LV | PART NUMBER | Q'TY | DESCRIPTION | REMARKS | NOTE1 | NOTE2 |
|-----|----|--------------|------|---------------------|------------|-------|-------|
| 1 | | 890157-06560 | 1 | LABEL, SWITCH | | | |
| 2 | | 351146-07560 | 1 | PLUG | | | |
| 3 | | 351311-07560 | 1 | HANDLE, FRONT | | | |
| 6 | | P021-035420 | 1 | CABLE ASY, CONTROL | | | |
| 7 | + | V494-000080 | 1 | CAP | | | |
| 8 | + | 900503-00006 | 2 | NUT (3N 6*0.75) | 3N 6*0.75 | | |
| 9 | | 178010-07561 | 1 | CONTROL, THROTTLE | | | |
| 10 | | 900245-04010 | 1 | SCREW 4*10 | 4*10 | | |
| 11 | | 178123-07561 | 1 | BRACKET, THROTTLE | | | |
| 12 | | 900500-00006 | 1 | NUT 6 | 6 | | |
| 13 | | 351315-07560 | 1 | HANDLE, FRONT | | | |
| 14 | | 178054-07560 | 1 | CONTRTOL, THROTTLE | | | |
| 15 | | 900603-00006 | 1 | WASHER 6 | 6.5*13*1 | | |
| 16 | | 900605-00006 | 1 | WASHER, SPRING 6 | 6 | | |
| 17 | | 900235-06020 | 1 | SCREW 6*20 | 6*20 | | |
| 18 | | 900256-04022 | 4 | SCREW 4*22 | 4*22 | | |
| 20 | | 305812-08260 | 1 | KNOB, FASTENER | | | |
| 21 | | 900253-05020 | 1 | SCREW 5*20 | 5*20 | | |
| 23 | | P021-013320 | 1 | BRACKET KIT, HANDLE | | | |
| 4 | + | C405-000240 | 1 | BRACKET, HANDLE | RIGHT SIDE | | |
| 22 | + | C405-000230 | 1 | BRACKET, HANDLE | LEFT SIDE | | |
| 24 | | 178121-43230 | 1 | BAND | CV-150 BL | | |

8. PIPE



| KEY | LV | PART NUMBER | Q'TY | DESCRIPTION | REMARKS | NOTE1 | NOTE2 |
|-----|----|--------------|------|--------------------|-----------------|-------|-------|
| 1 | | E165-000160 | 1 | PIPE,BLOWER | 418MM*65/79MM | | |
| 2 | | E165-000141 | 1 | PIPE,BLOWER | 418MM * 73/79MM | | |
| 3 | | E165-000130 | 1 | PIPE,BLOWER | 362MM*73/84MM | | |
| 4 | | V495-000430 | 1 | BAND | 58.7MM / 82.5MM | | |
| 5 | | V491-000191 | 1 | CLIP | | | |
| 6 | | E164-000060 | 1 | PIPE,FLEXIBLE | ACT050324-A 9A | | |
| 7 | | V495-000440 | 1 | BAND | 77.8MM /101.6MM | | |
| 8 | | E160-000092 | 1 | PIPE,MAIN | | | |
| 9 | | 895410-39131 | 1 | WRENCH, W/S-DRIVER | | | |

9. CARBURETOR



| KEY | LV | PART NUMBER | Q'TY | DESCRIPTION | REMARKS | NOTE1 | NOTE2 |
|-----|----|--------------|------|----------------------|---------|-------|-------|
| | | A021-000810 | 1 | CARBURETOR,DIAPHRAGM | WYK-192 | | |
| 1 | + | 123172-45130 | 1 | SWIVEL | | | |
| 2 | + | 123149-54230 | 1 | WASHER | | | |
| 3 | + | 123173-07930 | 1 | CLIP | | | |
| 4 | + | 123143-12110 | 1 | RING, PACKING | | | |
| 5 | + | 123114-40630 | 2 | SCREW | | | |
| 6 | + | P003-000180 | 1 | BRACKET CABLE | | | |
| 7 | + | P003-001130 | 1 | NEEDLE, HIGH SPEED | | | |
| 8 | + | 123125-40630 | 1 | GASKET, PUMP | | | |
| 9 | + | 123112-40630 | 1 | DIAPHRAGM, PUMP | | | |
| 10 | + | P003-000630 | 1 | BODY ASSEMBLY, PUMP | | | |
| 11 | ++ | 123126-10631 | 1 | SCREEN, INLET | | | |
| 12 | ++ | 123122-05560 | 1 | SPRING, METER. LEVER | | | |
| 13 | ++ | 123137-19830 | 1 | VALVE, INLET NEEDLE | | | |
| 14 | ++ | 123123-03930 | 1 | LEVER, METERING | | | |
| 15 | ++ | 123138-03930 | 1 | PIN, METERING LEVER | | | |
| 16 | ++ | 123139-05560 | 1 | SCREW, M. LEVER PIN | | | |
| 17 | + | 123140-05560 | 1 | GASKET, M. DIAPHRAGM | | | |
| 18 | + | P003-000090 | 1 | METERING, DIAPHRAGM | | | |
| 19 | + | 123180-05560 | 1 | BODY, AIR PURGE | | | |
| 20 | + | 123181-40630 | 1 | PUMP, PRIMER | | | |
| 21 | + | 123142-05560 | 1 | COVER, PRIMER PUMP | | | |
| 22 | + | 123110-05560 | 4 | SCREW, PUMP COVER | | | |

10. DIAPHRAGM/GASKET KIT

| KEY | LV | PART NUMBER | Q'TY | DESCRIPTION | REMARKS | NOTE1 | NOTE2 |
|-----|----|--------------|------|----------------------|---------|-------|-------|
| | | P003-000650 | 1 | GASKET/DIAPHRAGM KIT | D21-WYK | | |
| 1 | + | 123143-12110 | 1 | RING, PACKING | | | |
| 2 | + | 123125-40630 | 1 | GASKET, PUMP | | | |
| 3 | + | 123112-40630 | 1 | DIAPHRAGM, PUMP | | | |
| 4 | + | 123140-05560 | 1 | GASKET, M. DIAPHRAGM | | | |
| 5 | + | 123183-54230 | 1 | O-RING | | | |
| 6 | + | 123183-12110 | 1 | O-RING | | | |
| 7 | + | 123143-12210 | 1 | RING, PACKING | | | |
| 8 | + | 123183-05960 | 1 | O-RING | | | |
| 9 | + | 123140-02960 | 1 | GASKET, M. DIAPHRAGM | | | |
| 10 | + | 123159-40630 | 1 | GASKET, PLATE | | | |
| 11 | + | P003-000090 | 1 | METERING, DIAPHRAGM | | | |

11. REPAIR KIT

| KEY | LV | PART NUMBER | Q'TY | DESCRIPTION | REMARKS | NOTE1 | NOTE2 |
|-----|----|--------------|------|----------------------|---------|-------|-------|
| | | P003-000660 | 1 | REPAIR KIT | K21-WYK | | |
| 1 | + | 123143-12110 | 1 | RING, PACKING | | | |
| 2 | + | 123125-40630 | 1 | GASKET, PUMP | | | |
| 3 | + | 123112-40630 | 1 | DIAPHRAGM, PUMP | | | |
| 4 | + | 123126-10631 | 1 | SCREEN, INLET | | | |
| 5 | + | 123137-19830 | 1 | VALVE, INLET NEEDLE | | | |
| 6 | + | 123123-03930 | 1 | LEVER, METERING | | | |
| 7 | + | 123138-03930 | 1 | PIN, METERING LEVER | | | |
| 8 | + | 123140-05560 | 1 | GASKET, M. DIAPHRAGM | | | |
| 9 | + | 123183-54230 | 1 | O-RING | | | |
| 10 | + | 123183-12110 | 1 | O-RING | | | |
| 11 | + | 123143-12210 | 1 | RING, PACKING | | | |
| 12 | + | 123183-05960 | 1 | O-RING | | | |
| 13 | + | 123140-02960 | 1 | GASKET, M. DIAPHRAGM | | | |
| 14 | + | 123159-40630 | 1 | GASKET, PLATE | | | |
| 15 | + | 123141-03930 | 1 | DIAPHRAGM, METERING | | | |

12. GASKET KIT

| KEY | LV | PART NUMBER | Q'TY | DESCRIPTION | REMARKS | NOTE1 | NOTE2 |
|-----|----|-------------|------|------------------|---------|-------|-------|
| | | P021-005932 | 1 | GASKET KIT | | | |
| 1 | + | V104-000720 | 1 | GASKET,EXHAUST | | | |
| 2 | + | V100-000100 | 1 | GASKET,CYL | | | |
| 3 | + | V102-000010 | 1 | GASKET,CRANKCASE | | | |
| 4 | + | V103-000080 | 1 | GASKET,INTAKE | | | |
| 5 | + | V103-000140 | 1 | GASKET,INTAKE | | | |
| 6 | + | V103-000130 | 1 | GASKET,INTAKE | | | |

Index

| Patrs Number | Key No. | Patrs Number | Key No. | Patrs Number | Key No. |
|---------------------|----------------|---------------------|----------------|---------------------|----------------|
| 100015-00120 | 1 - 11 | 130341-08260 | 3 - 3 | 900162-05025 | 1 - 2 |
| 100215-03930 | 1 - 21 | 131004-55530 | 4 - 1 | 900162-05035 | 1 - 17 |
| 100905-08261 | 6 - 10 | 131016-55830 | 4 - 2 | 900162-06035 | 1 - 22 |
| 104915-08260 | 5 - 4 | 131032-08360 | 3 - 6 | 900235-06020 | 7 - 17 |
| 123110-05560 | 9 - 22 | 131051-56030 | 4 - 3 | 900238-05025 | 3 - 11 |
| 123112-40630 | 9 - 9 | 131205-19831 | 4 - 10 | 900245-04010 | 7 - 10 |
| 123112-40630 | 10 - 3 | 131328-40630 | 4 - 13 | 900246-05014 | 5 - 17 |
| 123112-40630 | 11 - 3 | 132010-35430 | 4 - 11 | 900253-05010 | 5 - 21 |
| 123114-40630 | 9 - 5 | 132013-26630 | 4 - 9 | 900253-05020 | 7 - 21 |
| 123122-05560 | 9 - 12 | 132115-55930 | 4 - 8 | 900256-04022 | 7 - 18 |
| 123123-03930 | 9 - 14 | 145642-06230 | 5 - 13 | 900323-03014 | 1 - 15 |
| 123123-03930 | 11 - 6 | 151112-04630 | 1 - 23 | 900345-30025 | 3 - 2 |
| 123125-40630 | 9 - 8 | 156111-06160 | 2 - 8 | 900500-00006 | 7 - 12 |
| 123125-40630 | 10 - 2 | 159011-03432 | 2 - 10 | 900501-00010 | 2 - 1 |
| 123125-40630 | 11 - 2 | 159012-03433 | 2 - 9 | 900503-00006 | 7 - 8 |
| 123126-10631 | 9 - 11 | 159129-08261 | 1 - 24 | 900516-00005 | 5 - 8 |
| 123126-10631 | 11 - 4 | 177227-42030 | 2 - 25 | 900516-00005 | 6 - 5 |
| 123137-19830 | 9 - 13 | 177228-11620 | 2 - 26 | 900562-50005 | 5 - 2 |
| 123137-19830 | 11 - 5 | 177236-61830 | 2 - 17 | 900602-00010 | 2 - 3 |
| 123138-03930 | 9 - 15 | 178010-07561 | 7 - 9 | 900603-00005 | 5 - 26 |
| 123138-03930 | 11 - 7 | 178054-07560 | 7 - 14 | 900603-00006 | 7 - 15 |
| 123139-05560 | 9 - 16 | 178111-22330 | 5 - 24 | 900605-00006 | 7 - 16 |
| 123140-02960 | 10 - 9 | 178121-43230 | 7 - 24 | 900605-00010 | 2 - 2 |
| 123140-02960 | 11 - 13 | 178123-07561 | 7 - 11 | 91107-06020 | 2 - 30 |
| 123140-05560 | 9 - 17 | 300105-08261 | 6 - 4 | 91145-05016 | 5 - 25 |
| 123140-05560 | 10 - 4 | 305812-08260 | 7 - 20 | 91145-05016 | 6 - 9 |
| 123140-05560 | 11 - 8 | 351146-07560 | 7 - 2 | 91145-05020 | 5 - 6 |
| 123141-03930 | 11 - 15 | 351311-07560 | 7 - 3 | 91145-05020 | 5 - 10 |
| 123142-05560 | 9 - 21 | 351315-07560 | 7 - 13 | 91145-05020 | 5 - 29 |
| 123143-12110 | 9 - 4 | 613019-07350 | 5 - 7 | 91367-04010 | 2 - 33 |
| 123143-12110 | 10 - 1 | 613019-07350 | 6 - 6 | 94032-36302 | 1 - 20 |
| 123143-12110 | 11 - 1 | 613019-07350 | 6 - 12 | A011-000140 | 1 - 14 |
| 123143-12210 | 10 - 7 | 890157-06560 | 7 - 1 | A021-000810 | 3 - 17 |
| 123143-12210 | 11 - 11 | 890160-09461 | 5 - 20 | A021-000810 | 9 - |
| 123149-54230 | 9 - 2 | 890332-52730 | 3 - 15 | A051-000841 | 2 - 16 |
| 123159-40630 | 10 - 10 | 895410-39131 | 8 - 9 | A052-000042 | 2 - 12 |
| 123159-40630 | 11 - 14 | 900105-05020 | 6 - 11 | A101-000020 | 1 - 9 |
| 123172-45130 | 9 - 1 | 900105-05055 | 3 - 13 | A101-000030 | 1 - 8 |
| 123173-07930 | 9 - 3 | 900105-05060 | 5 - 19 | A130-000512 | 1 - 3 |
| 123180-05560 | 9 - 19 | 900105-06035 | 5 - 12 | A160-000340 | 1 - 6 |
| 123181-40630 | 9 - 20 | 900106-05008 | 1 - 5 | A190-000111 | 5 - 30 |
| 123183-05960 | 10 - 8 | 900106-05014 | 2 - 28 | A200-000070 | 3 - 20 |
| 123183-05960 | 11 - 12 | 900106-05014 | 2 - 35 | A232-000170 | 3 - 1 |
| 123183-12110 | 10 - 6 | 900106-05016 | 4 - 5 | A239-000010 | 3 - 9 |
| 123183-12110 | 11 - 10 | 900106-05020 | 5 - 5 | A244-000060 | 3 - 12 |
| 123183-54230 | 10 - 5 | 900106-05025 | 3 - 19 | A246-000000 | 3 - 23 |
| 123183-54230 | 11 - 9 | 900106-05035 | 3 - 7 | A310-000000 | 2 - 34 |
| 130016-03731 | 3 - 24 | 900162-05022 | 1 - 25 | A313-000310 | 2 - 32 |
| 130305-08361 | 3 - 4 | 900162-05022 | 2 - 5 | A322-000020 | 5 - 23 |

Index

| Patrs Number | Key No. | Patrs Number | Key No. | Patrs Number | Key No. |
|---------------------|----------------|---------------------|----------------|---------------------|----------------|
| A350-000151 | 4 - 4 | P022-010250 | 2 - 18 | | |
| A356-000030 | 4 - 12 | P022-010260 | 2 - 27 | | |
| A392-000000 | 4 - 6 | P022-010270 | 2 - 24 | | |
| A409-000250 | 2 - 4 | V100-000100 | 1 - 4 | | |
| A415-000000 | 2 - 6 | V100-000100 | 12 - 2 | | |
| A425-000000 | 2 - 11 | V102-000010 | 1 - 19 | | |
| A506-000040 | 2 - 22 | V102-000010 | 12 - 3 | | |
| C061-000111 | 6 - 1 | V103-000080 | 3 - 16 | | |
| C066-000004 | 6 - 7 | V103-000080 | 12 - 4 | | |
| C405-000230 | 7 - 22 | V103-000130 | 3 - 21 | | |
| C405-000240 | 7 - 4 | V103-000130 | 12 - 6 | | |
| C617-000150 | 6 - 8 | V103-000140 | 1 - 30 | | |
| C626-000010 | 6 - 13 | V103-000140 | 12 - 5 | | |
| C626-000030 | 6 - 15 | V104-000720 | 1 - 1 | | |
| C632-000042 | 5 - 15 | V104-000720 | 12 - 1 | | |
| C632-000052 | 5 - 16 | V152-000770 | 5 - 22 | | |
| E100-000041 | 5 - 14 | V186-000080 | 4 - 15 | | |
| E103-000341 | 5 - 18 | V303-000050 | 2 - 21 | | |
| E103-000350 | 5 - 11 | V307-000060 | 1 - 13 | | |
| E104-000041 | 5 - 1 | V376-001090 | 3 - 25 | | |
| E104-000051 | 5 - 3 | V401-000070 | 6 - 14 | | |
| E109-000010 | 5 - 9 | V420-000570 | 5 - 27 | | |
| E160-000092 | 8 - 8 | V471-000550 | 4 - 7 | | |
| E164-000060 | 8 - 6 | V471-000610 | 4 - 14 | | |
| E165-000130 | 8 - 3 | V485-000190 | 2 - 7 | | |
| E165-000141 | 8 - 2 | V491-000040 | 6 - 2 | | |
| E165-000160 | 8 - 1 | V491-000110 | 6 - 16 | | |
| P003-000090 | 9 - 18 | V491-000120 | 6 - 3 | | |
| P003-000090 | 10 - 11 | V491-000191 | 8 - 5 | | |
| P003-000180 | 9 - 6 | V491-000220 | 3 - 22 | | |
| P003-000630 | 9 - 10 | V494-000080 | 7 - 7 | | |
| P003-000650 | 10 - | V495-000430 | 8 - 4 | | |
| P003-000660 | 11 - | V495-000440 | 8 - 7 | | |
| P003-001130 | 9 - 7 | V495-000590 | 3 - 8 | | |
| P021-002982 | 1 - 7 | V508-000010 | 1 - 18 | | |
| P021-002991 | 1 - 16 | V555-000010 | 1 - 12 | | |
| P021-005690 | 3 - 14 | V608-000010 | 1 - 10 | | |
| P021-005932 | 12 - | X502-000460 | 2 - 29 | | |
| P021-008210 | 2 - 31 | X503-007441 | 5 - 31 | | |
| P021-013320 | 7 - 23 | X505-002310 | 5 - 28 | | |
| P021-014460 | 3 - 5 | | | | |
| P021-035420 | 7 - 6 | | | | |
| P021-043140 | 3 - 10 | | | | |
| P022-002100 | 2 - 13 | | | | |
| P022-003120 | 2 - 15 | | | | |
| P022-003130 | 2 - 14 | | | | |
| P022-004680 | 2 - 23 | | | | |
| P022-010220 | 2 - 19 | | | | |
| P022-010231 | 2 - 20 | | | | |

YAMABIKO CORPORATION

7-2 SUEHIROCHO 1-CHOME, OHME, TOKYO 198-8760, JAPAN
PHONE: 81-428-32-6118. FAX: 81-428-32-6145.

ECHO®



10Hb
No. 63-088