



PARTS CATALOG

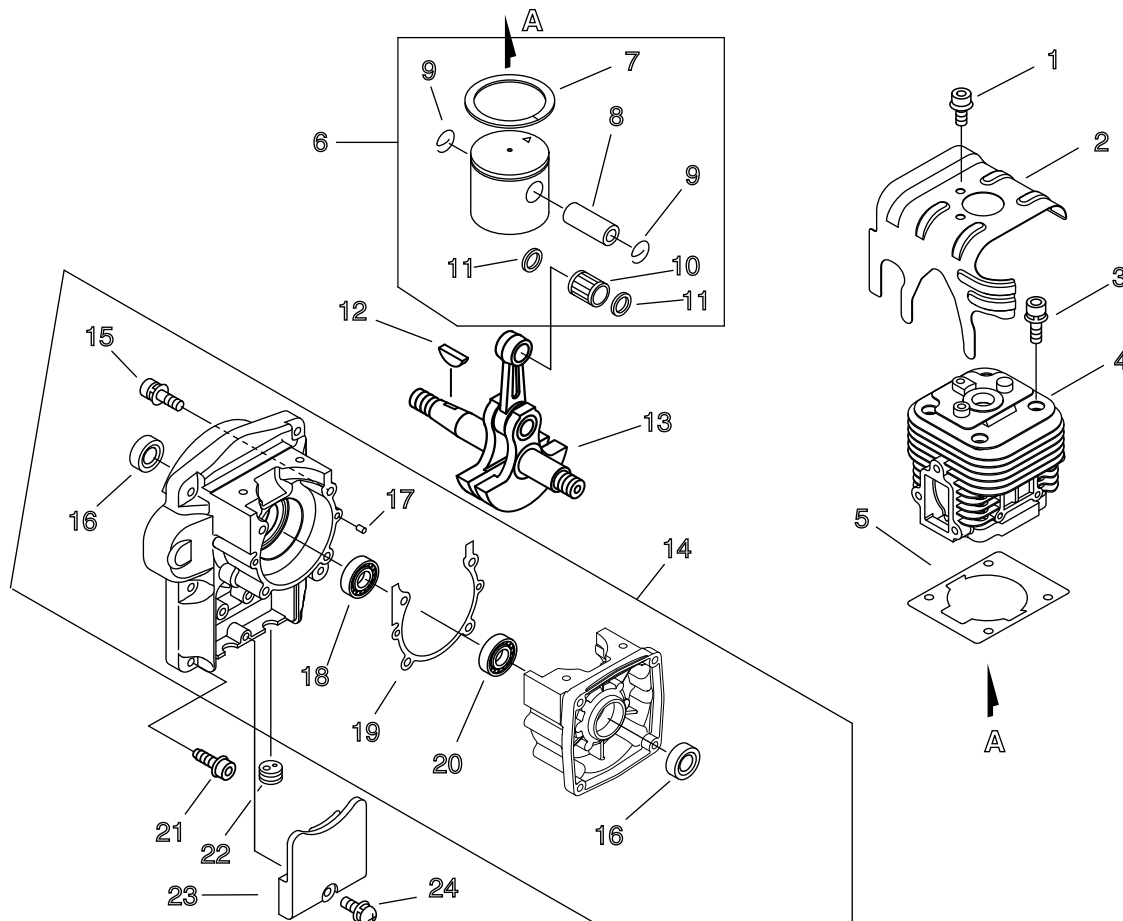
BACKPACK BLOWER

PB-500(37)

37002001 -

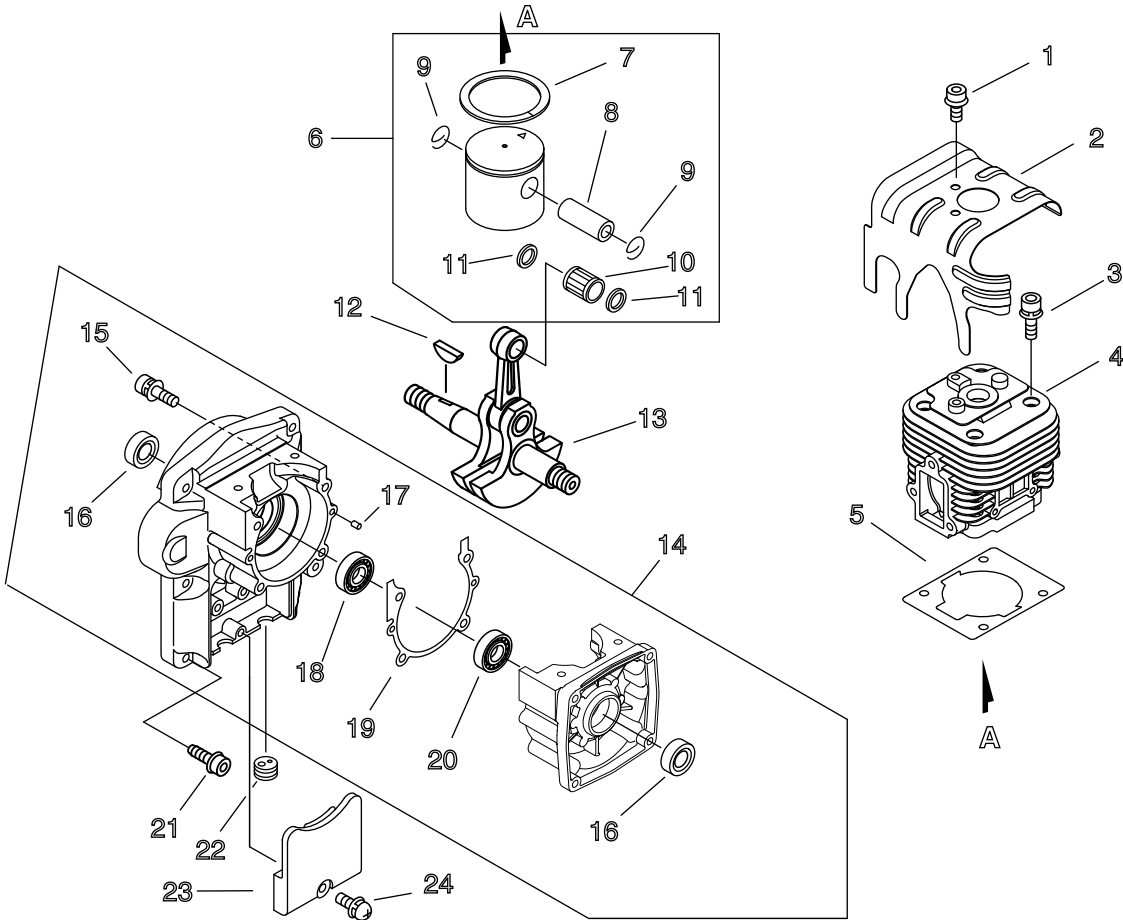
P014-000170-10Hb

1. CYLINDER, CRANKCASE, PISTON



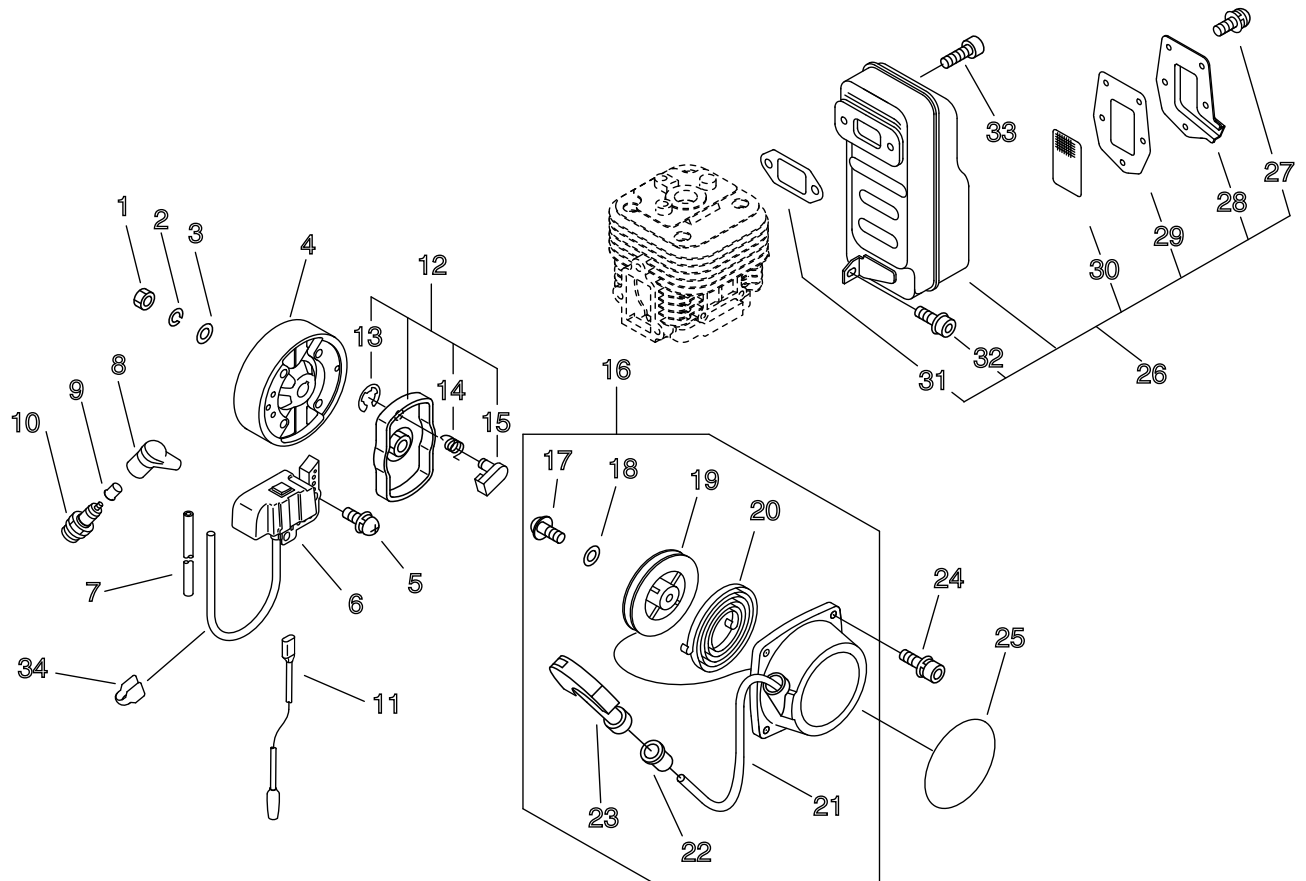
KEY	LV	PART NUMBER	Q'TY	DESCRIPTION	REMARKS	NOTE1	NOTE2
1		900106-05008	2	BOLT, H.S. 5* 8	5*8		
2		A160-001040	1	COVER,CYLINDER	T0.6		
3		900162-05022	4	BOLT, H.S. 5*22	5*22 W,SW		
4		A130-000900	1	CYLINDER			
5	+	V100-000260	1	GASKET,CYL	T0.3		
6		P021-014970	1	PISTON KIT			
6		P021-014971	1	PISTON KIT			
6		P021-014972	1	PISTON KIT			
7	+	A101-000200	1	RING, PISTON	43*1.5*1.8		
8	+	100013-06210	1	PIN, PISTON			
8	+	100013-39730	1	PIN, PISTON			
9	+	V580-000010	2	RING, END	φ0.8		
9	+	100015-00120	2	CIRCLIP, PISTON PIN			
10	+	100012-12330	1	BEARING, NEEDLE			
10	+	V555-000010	1	BEARING, NEEDLE 10			
11	+	100014-17330	2	SPACER, PISTON PIN			
12		900323-03014	1	KEY WOODRUFF	3*14		
13		A011-000530	1	CRANKSHAFT, ASY			
14		P021-014980	1	SET, CRANKCASE			
14		P021-014981	1	SET, CRANKCASE			
14		P021-014982	1	SET, CRANKCASE			
15	+	900162-05040	4	BOLT, H.S. 5*40	5*40 W,SW		
16	+	100213-00310	2	OILSEAL	ISCD 15 25 7		
17	+	100215-03930	2	PIN, DOWEL			
18	+	94032-36302	1	BEARING BALL	BB-6302		
19	+	V102-000050	1	GASKET, CRANKCASE	T0.3		

1. CYLINDER, CRANKCASE, PISTON



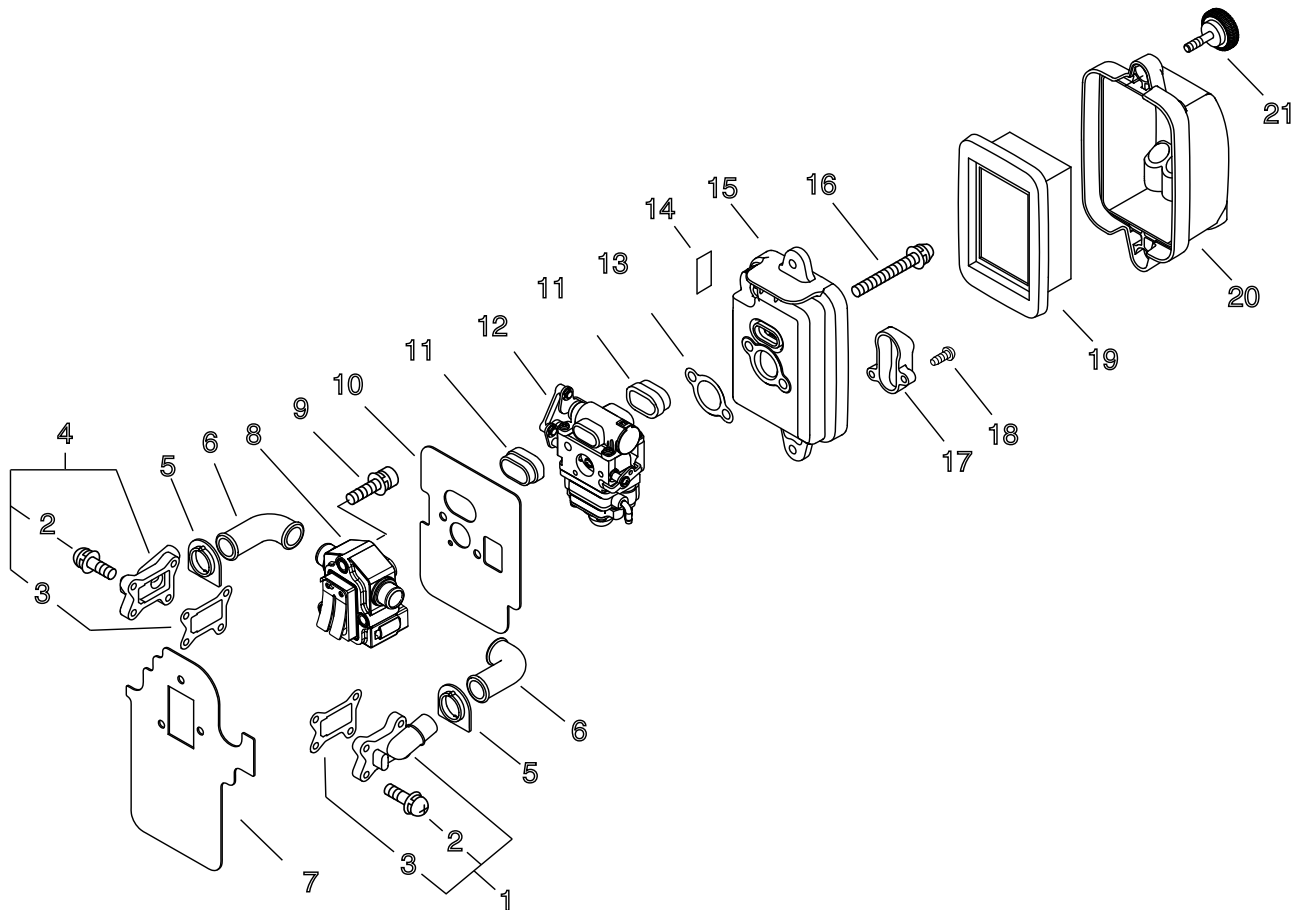
KEY	LV	PART NUMBER	Q'TY	DESCRIPTION	REMARKS	NOTE1	NOTE2
20	+	900810-36202	1	BEARING, BALL 6202	6202/C3		
21		900162-05032	6	BOLT, H.S. 5*32	5*32 W,SW		
22		151112-04630	1	BUSHING			
23		159129-08261	1	COVER, DUST			
24		900238-05018	1	SCREW 5*18	5*18		

2. STARTER, MAGNETO, MUFFLER



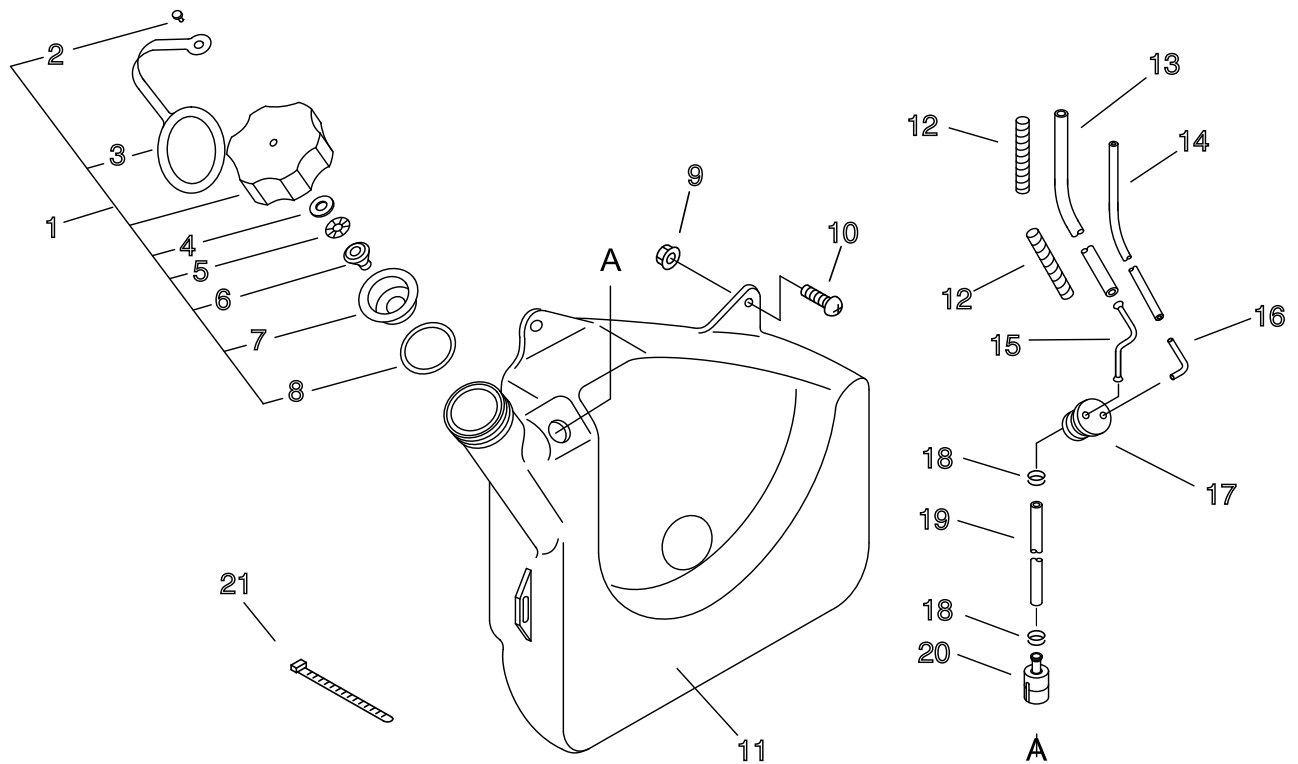
KEY	LV	PART NUMBER	Q'TY	DESCRIPTION	REMARKS	NOTE1	NOTE2
1		900501-00010	1	NUT 10*1.25	10*P1.25		
2		900605-00010	1	WASHER, SPRING 10	10		
3		900602-00010	1	WASHER 10(10.5*21*2)	10.5*21*2		
4		A409-000331	1	ROTOR, MAGNETO			
5		900238-05018	2	SCREW 5*18	5*18		
6		A411-000420	1	COIL, IGNITION			
7		156111-06160	1	TUBE 6.3*8*380	6.3*8*380		
8		159012-03433	1	CAP, SPARK PLUG			
9		159011-03432	1	COIL, SPARK PLUG			
10		A425-000000	1	SPARKPLUG	BPMR8Y		
11		V485-000190	1	LEAD			
12		177202-06210	1	PAWL ASSY, STARTER			
16		A051-001270	1	STARTER, RECOIL ASSY			
24		900162-05018	4	BOLT, H.S. 5*18	5*18 W,SW		
25		X502-000410	1	LABEL, ECHO			
26		P021-015040	1	MUFFLER ASY			
27	+	900238-04010	5	SCREW 4*10	4*10		
28	+	A313-001030	1	GUIDE, EXHAUST			
29	+	145866-04261	1	GASKET			
30	+	145862-06720	1	SCREEN, MUFFLER			
31	+	V104-000900	1	GASKET, EXHAUST	T1.0		
32		900106-05016	1	BOLT, H.S. 5*16	5*16		
33		900105-06020	2	BOLT, H.S. 6*20	6*20		

3. AIR CLEANER, CARBURETOR



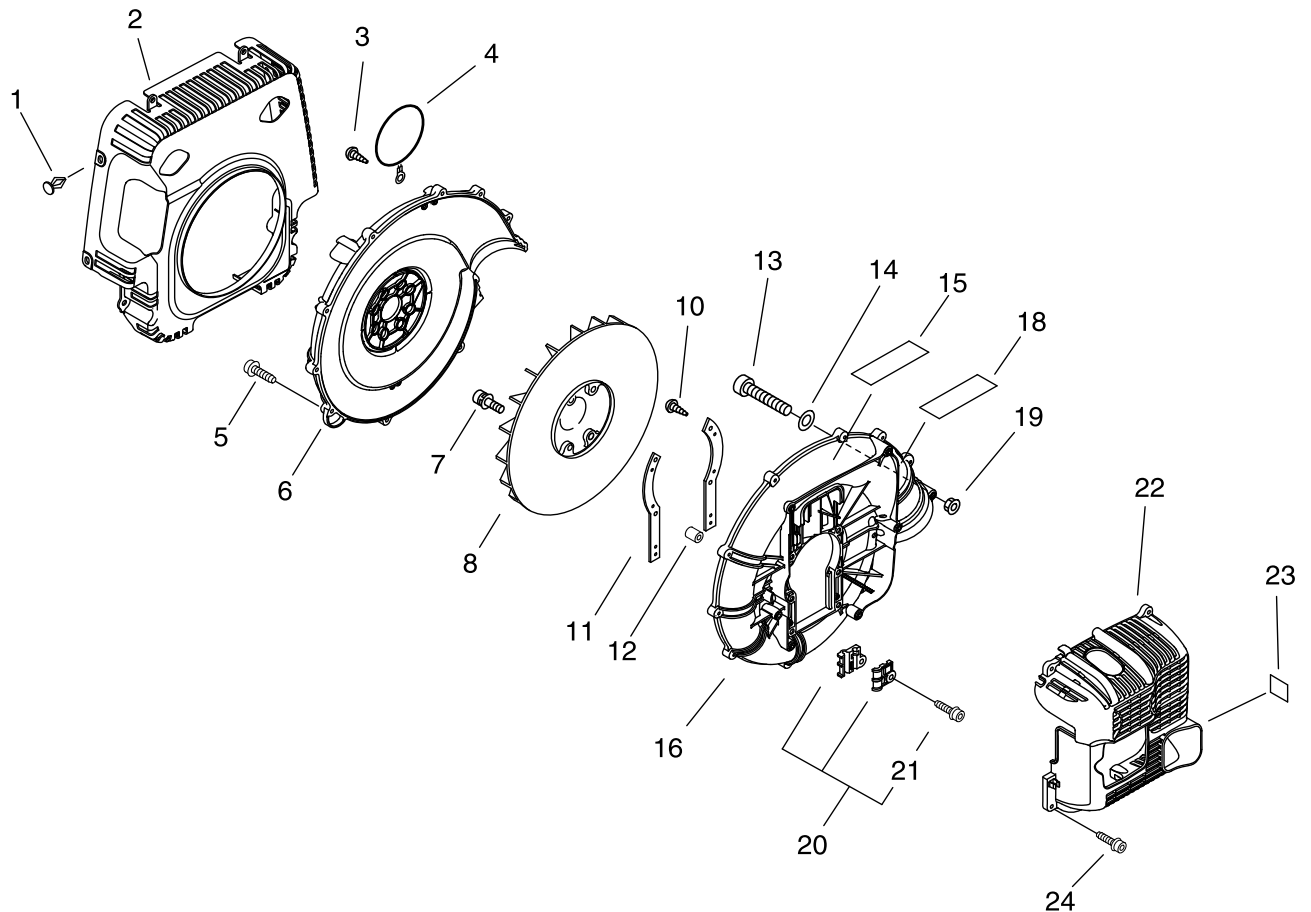
KEY	LV	PART NUMBER	Q'TY	DESCRIPTION	REMARKS	NOTE1	NOTE2
1		P021-016130	1	FIXTURE, VALVE KIT M			
2	+	V202-000140	4	BOLT, 4	4*14		
3	+	V103-000440	1	GASKET, INTAKE	T0.5		
4		P021-016140	1	FIXTURE, VALVE KIT R			
2	+	V202-000140	4	BOLT, 4	4*14		
3	+	V103-000440	1	GASKET, INTAKE	T0.5		
5		V140-000020	2	GROMMET, HOSE			
6		G213-000090	2	HOSE, AIR	10.5		
7		V103-000450	1	GASKET, INTAKE	T1.0		
8		P021-014991	1	INSULATOR VALVE KIT			
9		V203-000310	3	BOLT, 5	5*35		
10		V103-000461	1	GASKET, INTAKE	T:0.8		
11		C483-000032	2	BOOT, CONNECTOR			
12		A021-001641	1	CARBURETOR, DIAPHRAGM	WLA-1		
13		V103-000471	1	GASKET, INTAKE	T0.5		
14		890332-52730	1	LABEL, CHOKE			
15		P021-015001	1	CASE, AIR CLEANER			
17	+	A221-000020	1	FIXTURE, CLEANER			
18	+	900246-04014	2	SCREW 4*14	4*14		
16		900162-05065	2	BOLT, H.S. 5*65	5*65 W, SW		
19		A226-000032	1	ELEMENT, AIR FILTER			
20		A232-000461	1	LID, CLEANER			
21		V299-000290	2	KNOB, FASTENER	1 KNOB M5X0.8		

4. FUEL TANK



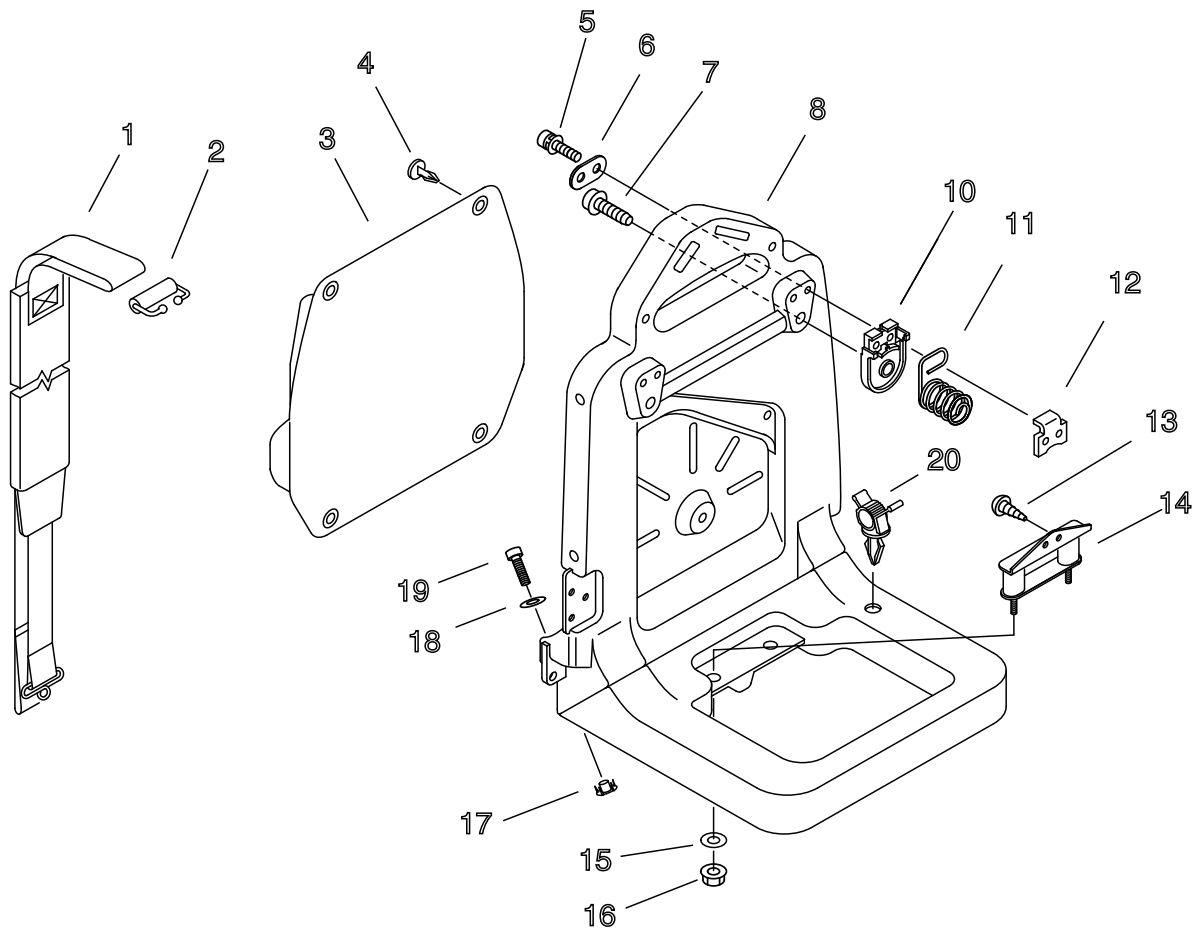
KEY	LV	PART NUMBER	Q'TY	DESCRIPTION	REMARKS	NOTE1	NOTE2
1		131600-09861	1	CAP ASY, FUEL			
2	+	900319-30070	1	RIVET 3*7	3*7		
3	+	131051-27230	1	LINK			
4	+	900600-00003	1	WASHER 3	3		
5	+	131053-03060	1	NUT			
6	+	131314-06320	1	VALVE, CHECK			
7	+	A358-000000	1	HOLDER,CHECK VALVE			
8	+	131016-21060	1	GASKET, FUEL CAP			
9		900516-00005	3	NUT, FRANGE 5	5		
10		900209-05020	3	SCREW, 5*20	5*20		
11		131010-08266	1	TANK, FUEL			
12		V475-004110	1	TUBE	11*13.4*320		
13		V471-002150	1	PIPE	3*7*465		
14		V471-002160	1	PIPE	2.38*4.76*470		
15		132011-08260	1	CONNECTOR, FUEL PIPE			
16		132021-08260	1	CONNECTOR, PIPE			
17		132115-02960	1	GROMMET			
18		132013-26630	2	CLIP	6.5MM		
19		V471-000770	1	PIPE			
20		131205-19831	1	STRAINER, FUEL			
21		178121-43230	1	BAND	CV-150 BL		

5. FAN CASE



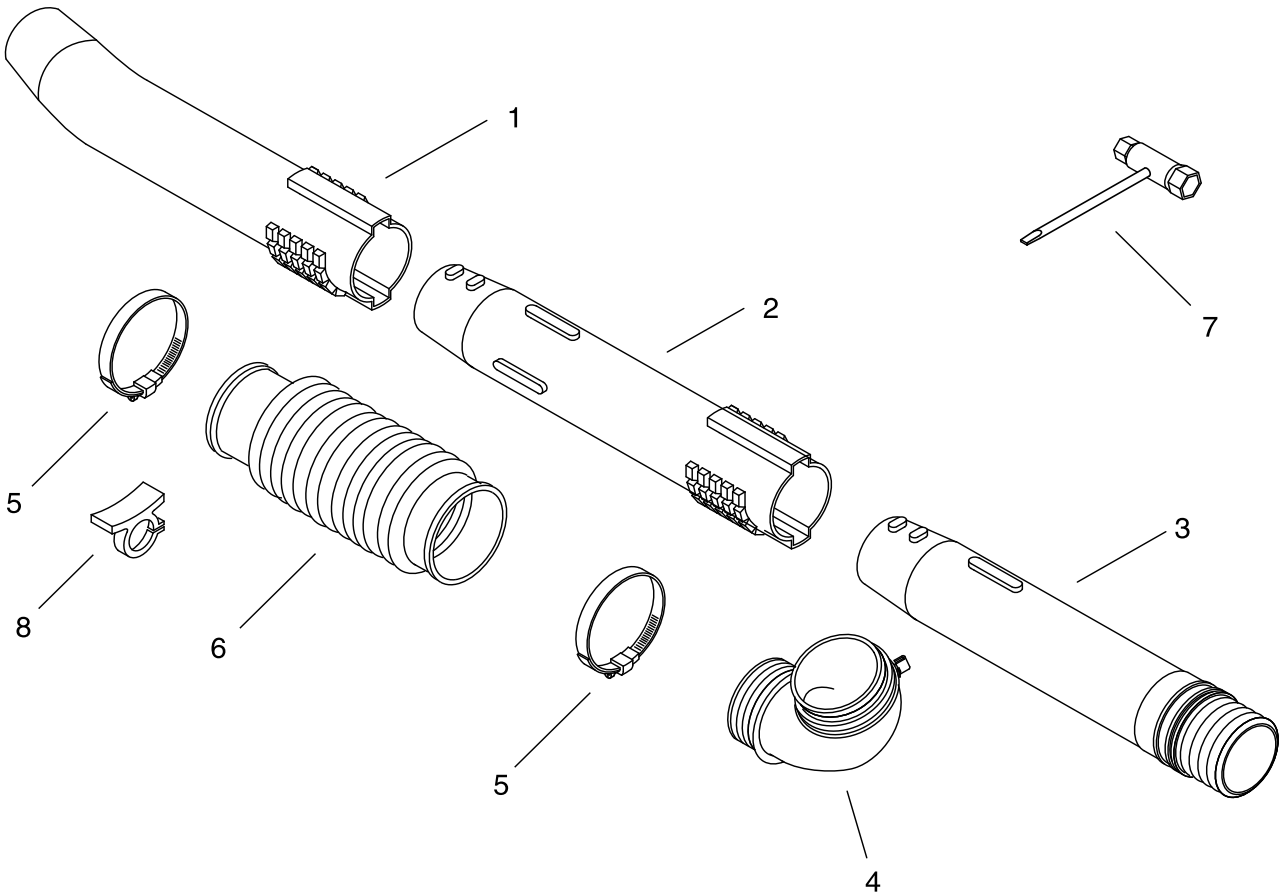
KEY	LV	PART NUMBER	Q'TY	DESCRIPTION	REMARKS	NOTE1	NOTE2
1		V491-000120	8	CLIP			
2		E104-000061	1	GRID,BLOWER			
3		91145-05016	1	BOLT HS TAPPING	5*16		
4		C617-000230	1	STOPPER			
5		91145-05025	9	BOLT, TAPPING	5*25 HS		
6		E103-000540	1	CASE,FAN			
7		900162-05020	4	BOLT, H.S. 5*20	5*20 W,SW		
8		200010-09861	1	FAN			
10		900246-03012	4	SCREW 3*12	3*12		
11		104913-08360	2	BRACKET, ENGINE			
12		V354-000130	6	COLLAR,6	6.2*7.8*10		
13		900105-05060	2	BOLT, H.S. 5*60	5*60		
14		900600-00005	2	WASHER 5	5		
15		X503-009520	1	LABEL,MODEL	PB-500 USM		
16		E103-000531	1	CASE,FAN			
18		X505-002080	1	LABEL,CAUTION			
19		900516-00005	2	NUT, FRANGE 5	5		
20		P021-015010	1	BRACKET KIT			
21	+	91145-05025	1	BOLT, TAPPING	5*25 HS		
22		A190-000720	1	COVER,ENGINE			
22		A190-000721	1	COVER,ENGINE			
23		X505-002310	1	LABEL,CAUTION	HOT CAUTION		
24		91145-05020	5	BOLT HS TAPPING	5*20		

6. BACKPACK HARNESS



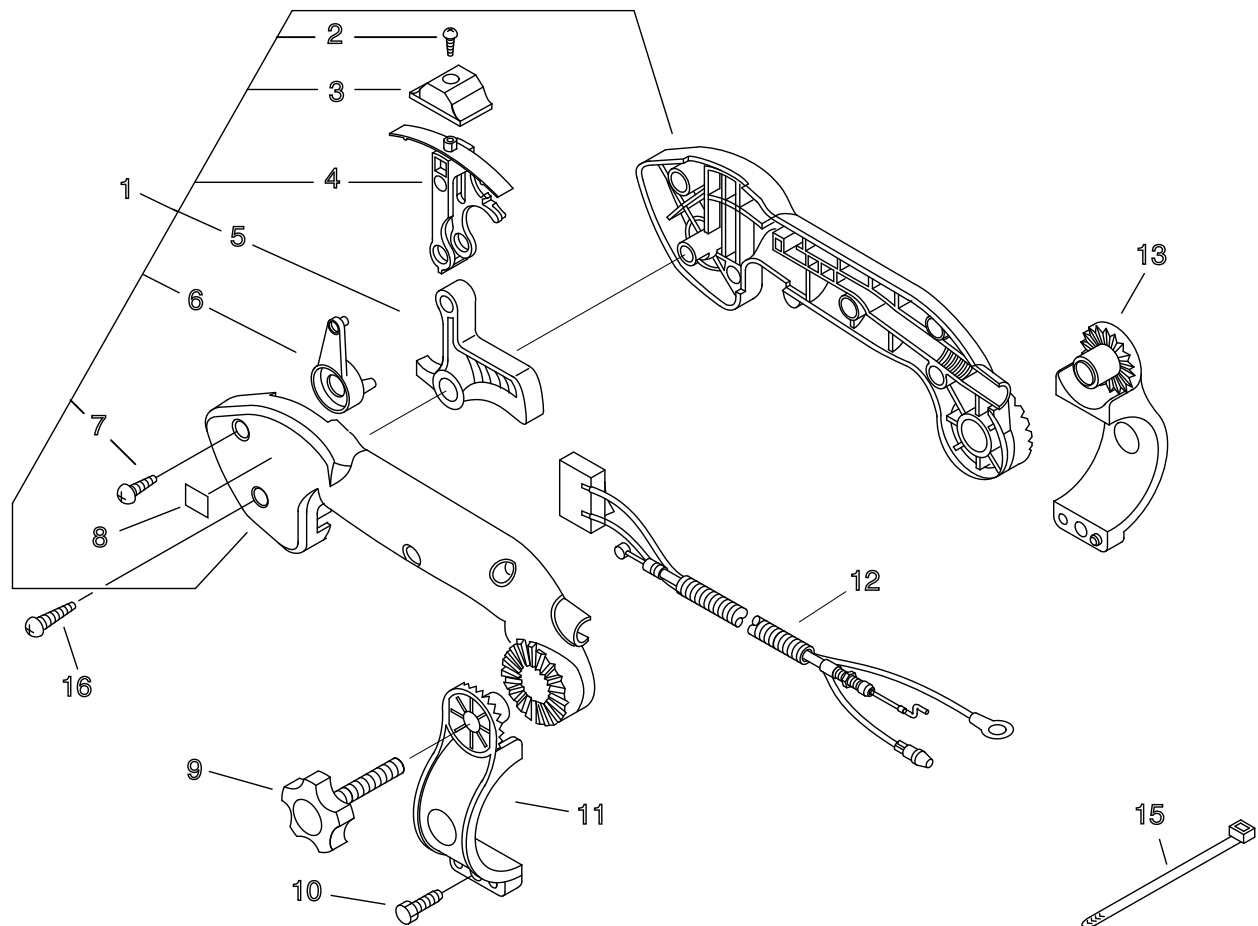
KEY	LV	PART NUMBER	Q'TY	DESCRIPTION	REMARKS	NOTE1	NOTE2
1		C061-000190	2	HARNESS,ASM BACKPACK			
1		C061-000111	2	HARNESS,ASM BACKPACK	ECHO SCREEN PRNT		
2		V491-000040	2	CLIP			
3		300105-08261	1	CUSHION, KNAPSACK			
4		V491-000120	6	CLIP			
5		900162-05020	4	BOLT, H.S. 5*20	5*20 W,SW		
6		V150-001350	2	PLATE,EYE			
7		91147-05020	2	BOLT HS FL TAPP			
8		613019-07350	2	WASHER 5.5*16*2T	5.5*16*2T		
9		C620-000212	1	FRAME,BACKPACK			
10		V456-000010	2	HOLDER,SPRING			
11		V450-000390	2	SPRING,COMPRESSION			
12		V263-000050	2	NUT,5			
13		91145-05016	2	BOLT HS TAPPING	5*16		
14		V401-000110	1	CUSHION,5			
15		900630-00005	2	WASHER 5	5(ﾄ)5.5*16*1T		
16		900516-00005	2	NUT, FRANGE 5	5		
17		C622-000000	4	CONNECTOR,FRAME			
18		V304-000040	4	WASHER,CIRCULAR 6	6.6*20*1.6		
19		900105-06025	4	BOLT, H.S. 6*25	6*25		
20		V491-000110	1	CLIP	.308/.433 CABLE		

7. PIPE



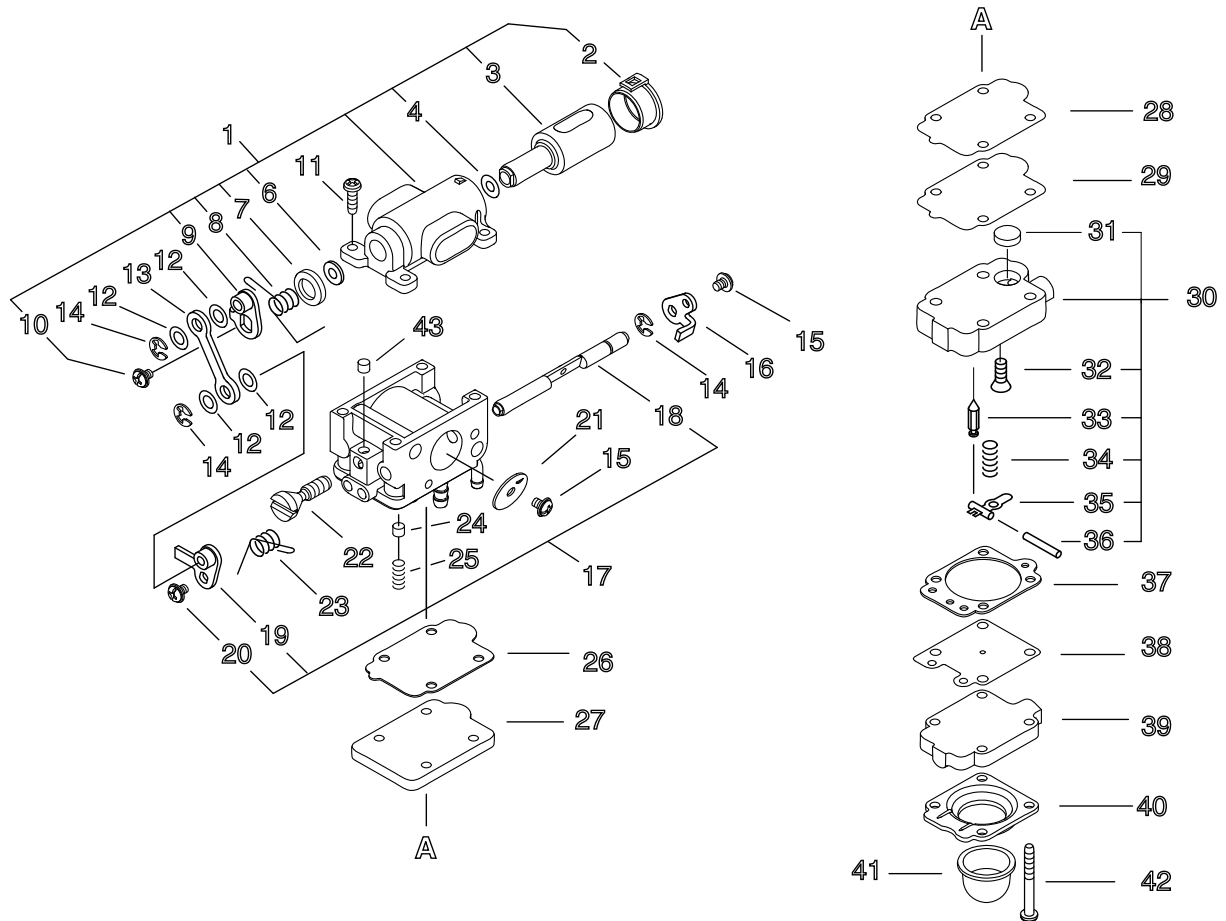
KEY	LV	PART NUMBER	Q'TY	DESCRIPTION	REMARKS	NOTE1	NOTE2
1		E165-000160	1	PIPE,BLOWER	418MM*65/79MM		
2		E165-000141	1	PIPE,BLOWER	418MM * 73/79MM		
3		E165-000130	1	PIPE,BLOWER	362MM*73/84MM		
4		210011-08260	1	ELBOW, BLOWING			
5		V495-000430	2	BAND	58.7MM / 82.5MM		
6		E164-000000	1	PIPE,FLEXIBLE			
7		895410-39131	1	WRENCH, W/S-DRIVER			
8		V491-000191	1	CLIP			

8. THROTTLE



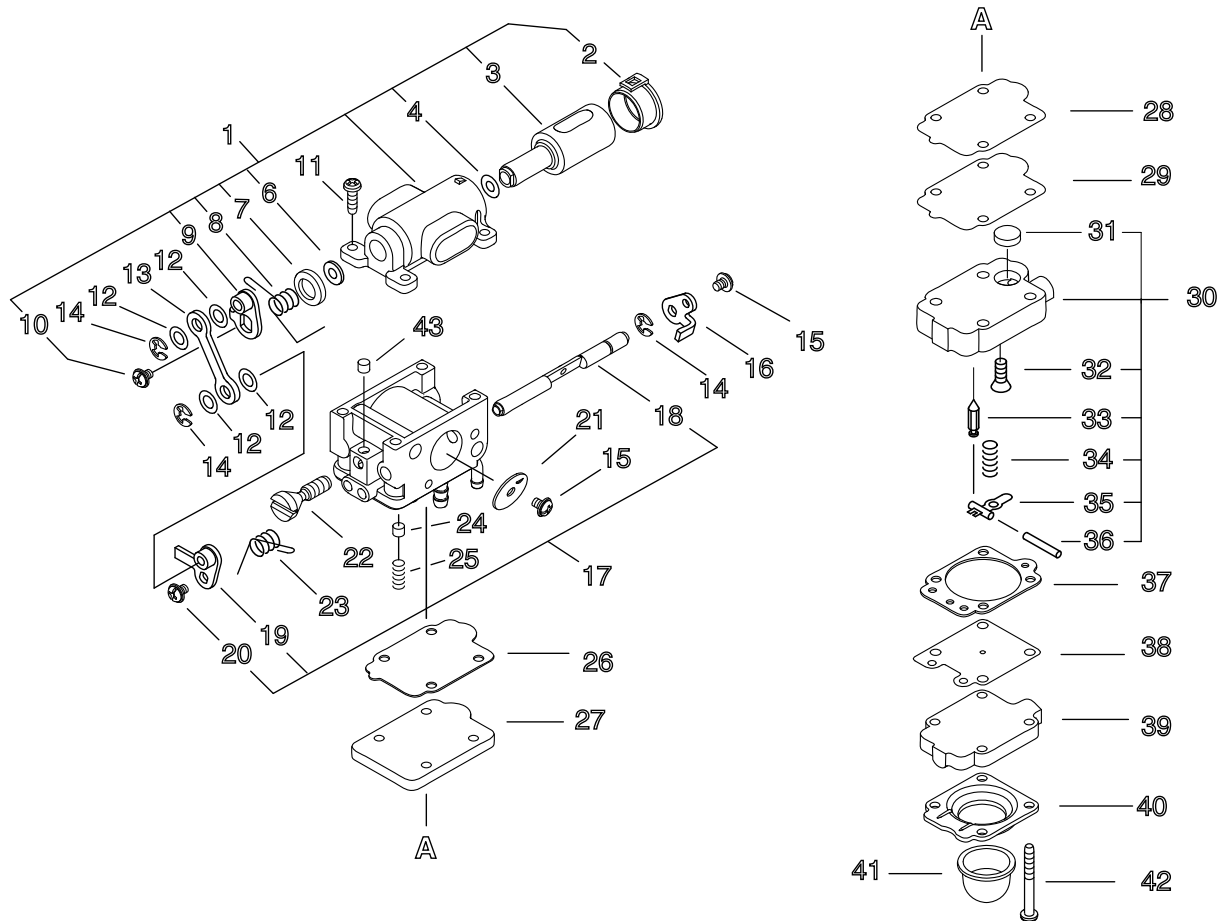
KEY	LV	PART NUMBER	Q'TY	DESCRIPTION	REMARKS	NOTE1	NOTE2
1		P021-015220	1	FRONT HANDLE ASY			
1		P021-015221	1	FRONT HANDLE ASY			
1		P021-015222	1	FRONT HANDLE ASY			
2	+	91545-03014	1	SCREW TAPTITE-P			
3	+	E151-000000	1	KNOB,LEVER	ACT#040504-A1		
4	+	C453-000211	1	LEVER, THROTTLE			
5	+	178010-07561	1	CONTROL, THROTTLE			
6	+	C453-000203	1	LEVER, THROTTLE			
7	+	889950-21060	4	SCREW 5			
8		X505-000950	1	LABEL,CAUTION			
9		305812-08260	1	KNOB, FASTENER			
10		91145-05020	1	BOLT HS TAPPING	5*20		
11		C405-000240	1	BRACKET,HANDLE	RIGHT SIDE		
12		V043-000251	1	CABLE ASY, CONTROL			
13		C405-000230	1	BRACKET,HANDLE	LEFT SIDE		
15		178121-43230	1	BAND	CV-150 BL		
16		889950-21560	1	SCREW 5			

9. CARBURETOR



KEY	LV	PART NUMBER	Q'TY	DESCRIPTION	REMARKS	NOTE1	NOTE2
		A021-001641	1	CARBURETOR,DIAPHRAGM	WLA-1		
1	+	P003-001970	1	AIR VALVE ASY			
2	++	P003-002010	1	COVER AIR VALVE			
3	++	P003-002020	1	VALVE AIR			
4	++	P003-002050	1	WASHER			
6	++	P003-002060	1	SEAL DUST			
7	++	P003-002000	1	COVER DUST			
8	++	P003-002040	1	SPRING RETURN			
9	++	P003-001990	1	LINK ASSEMBLY-AIR			
10	++	P003-002030	1	SCREW			
11	+	123114-40630	4	SCREW			
12	+	123149-26030	4	WASHER			
13	+	P003-002080	1	LINK ROD			
14	+	123127-15030	3	RING			
15	+	123114-38830	2	SCREW			
16	+	P003-002070	1	LEVER OUTER			
17	+	P003-002170	1	SHAFT ASY THROTTLE			
18	++	P003-002100	1	SHAFT THROTTLE			
19	++	P003-002090	1	LINK ASY THROTTLE			
20	++	123114-38830	1	SCREW			
21	+	123116-05230	1	VALVE, THROTTLE			
22	+	P003-002130	1	SCREW IDLE SPEED			
23	+	P003-002150	1	SPRING			
24	+	123185-39130	1	PISTON ASSY			
25	+	P003-002140	1	SPRING			
26	+	P003-002110	1	GASKET PASSAGE			

9. CARBURETOR



KEY	LV	PART NUMBER	Q'TY	DESCRIPTION	REMARKS	NOTE1	NOTE2
27	+	P003-002160	1	PLATE PASSAGE			
28	+	P003-000100	1	GASKET, PUMP			
29	+	123112-40630	1	DIAPHRAGM, PUMP			
30	+	123179-05560	1	BODY ASSY, PUMP			
31	++	123126-10631	1	SCREEN, INLET			
32	++	123139-05560	1	SCREW, M. LEVER PIN			
33	++	123137-19830	1	VALVE, INLET NEEDLE			
34	++	123122-05560	1	SPRING, METER. LEVER			
35	++	123123-03930	1	LEVER, METERING			
36	++	123138-03930	1	PIN, METERING LEVER			
37	+	123140-05560	1	GASKET, M. DIAPHRAGM			
38	+	P003-001850	1	DIAPHRAGM, METERING			
39	+	123180-05560	1	BODY, AIR PURGE			
40	+	123142-05560	1	COVER, PRIMER PUMP			
41	+	123181-40630	1	PUMP, PRIMER			
42	+	P003-002120	4	SCREW			
43	+	123178-15030	1	PLUG, FRICTION			

Index

Patrs Number	Key No.	Patrs Number	Key No.	Patrs Number	Key No.
100012-12330	1 - 10	178121-43230	8 - 15	A011-000530	1 - 13
100013-06210	1 - 8	200010-09861	5 - 8	A021-001641	3 - 12
100013-39730	1 - 8	210011-08260	7 - 4	A021-001641	9 -
100014-17330	1 - 11	300105-08261	6 - 3	A051-001270	2 - 16
100015-00120	1 - 9	305812-08260	8 - 9	A101-000200	1 - 7
100213-00310	1 - 16	613019-07350	6 - 8	A130-000900	1 - 4
100215-03930	1 - 17	889950-21060	8 - 7	A160-001040	1 - 2
104913-08360	5 - 11	889950-21560	8 - 16	A190-000720	5 - 22
123112-40630	9 - 29	890332-52730	3 - 14	A190-000721	5 - 22
123114-38830	9 - 15	895410-39131	7 - 7	A221-000020	3 - 17
123114-38830	9 - 20	900105-05060	5 - 13	A226-000032	3 - 19
123114-40630	9 - 11	900105-06020	2 - 33	A232-000461	3 - 20
123116-05230	9 - 21	900105-06025	6 - 19	A313-001030	2 - 28
123122-05560	9 - 34	900106-05008	1 - 1	A358-000000	4 - 7
123123-03930	9 - 35	900106-05016	2 - 32	A409-000331	2 - 4
123126-10631	9 - 31	900162-05018	2 - 24	A411-000420	2 - 6
123127-15030	9 - 14	900162-05020	5 - 7	A425-000000	2 - 10
123137-19830	9 - 33	900162-05020	6 - 5	C061-000111	6 - 1
123138-03930	9 - 36	900162-05022	1 - 3	C061-000190	6 - 1
123139-05560	9 - 32	900162-05032	1 - 21	C405-000230	8 - 13
123140-05560	9 - 37	900162-05040	1 - 15	C405-000240	8 - 11
123142-05560	9 - 40	900162-05065	3 - 16	C453-000203	8 - 6
123149-26030	9 - 12	900209-05020	4 - 10	C453-000211	8 - 4
123178-15030	9 - 43	900238-04010	2 - 27	C483-000032	3 - 11
123179-05560	9 - 30	900238-05018	1 - 24	C617-000230	5 - 4
123180-05560	9 - 39	900238-05018	2 - 5	C620-000212	6 - 9
123181-40630	9 - 41	900246-03012	5 - 10	C622-000000	6 - 17
123185-39130	9 - 24	900246-04014	3 - 18	E103-000531	5 - 16
131010-08266	4 - 11	900319-30070	4 - 2	E103-000540	5 - 6
131016-21060	4 - 8	900323-03014	1 - 12	E104-000061	5 - 2
131051-27230	4 - 3	900501-00010	2 - 1	E151-000000	8 - 3
131053-03060	4 - 5	900516-00005	4 - 9	E164-000000	7 - 6
131205-19831	4 - 20	900516-00005	5 - 19	E165-000130	7 - 3
131314-06320	4 - 6	900516-00005	6 - 16	E165-000141	7 - 2
131600-09861	4 - 1	900600-00003	4 - 4	E165-000160	7 - 1
132011-08260	4 - 15	900600-00005	5 - 14	G213-000090	3 - 6
132013-26630	4 - 18	900602-00010	2 - 3	P003-000100	9 - 28
132021-08260	4 - 16	900605-00010	2 - 2	P003-001850	9 - 38
132115-02960	4 - 17	900630-00005	6 - 15	P003-001970	9 - 1
145862-06720	2 - 30	900810-36202	1 - 20	P003-001990	9 - 9
145866-04261	2 - 29	91145-05016	5 - 3	P003-002000	9 - 7
151112-04630	1 - 22	91145-05016	6 - 13	P003-002010	9 - 2
156111-06160	2 - 7	91145-05020	5 - 24	P003-002020	9 - 3
159011-03432	2 - 9	91145-05020	8 - 10	P003-002030	9 - 10
159012-03433	2 - 8	91145-05025	5 - 5	P003-002040	9 - 8
159129-08261	1 - 23	91145-05025	5 - 21	P003-002050	9 - 4
177202-06210	2 - 12	91147-05020	6 - 7	P003-002060	9 - 6
178010-07561	8 - 5	91545-03014	8 - 2	P003-002070	9 - 16
178121-43230	4 - 21	94032-36302	1 - 18	P003-002080	9 - 13

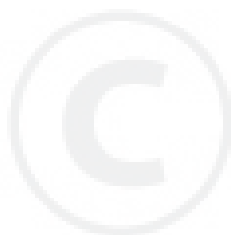
Index

Patrs Number	Key No.	Patrs Number	Key No.	Patrs Number	Key No.
P003-002090	9 - 19	V485-000190	2 - 11		
P003-002100	9 - 18	V491-000040	6 - 2		
P003-002110	9 - 26	V491-000110	6 - 20		
P003-002120	9 - 42	V491-000120	5 - 1		
P003-002130	9 - 22	V491-000120	6 - 4		
P003-002140	9 - 25	V491-000191	7 - 8		
P003-002150	9 - 23	V495-000430	7 - 5		
P003-002160	9 - 27	V555-000010	1 - 10		
P003-002170	9 - 17	V580-000010	1 - 9		
P021-014970	1 - 6	X502-000410	2 - 25		
P021-014971	1 - 6	X503-009520	5 - 15		
P021-014972	1 - 6	X505-000950	8 - 8		
P021-014980	1 - 14	X505-002080	5 - 18		
P021-014981	1 - 14	X505-002310	5 - 23		
P021-014982	1 - 14				
P021-014991	3 - 8				
P021-015001	3 - 15				
P021-015010	5 - 20				
P021-015040	2 - 26				
P021-015220	8 - 1				
P021-015221	8 - 1				
P021-015222	8 - 1				
P021-016130	3 - 1				
P021-016140	3 - 4				
V043-000251	8 - 12				
V100-000260	1 - 5				
V102-000050	1 - 19				
V103-000440	3 - 3				
V103-000440	3 - 3				
V103-000450	3 - 7				
V103-000461	3 - 10				
V103-000471	3 - 13				
V104-000900	2 - 31				
V140-000020	3 - 5				
V150-001350	6 - 6				
V202-000140	3 - 2				
V202-000140	3 - 2				
V203-000310	3 - 9				
V263-000050	6 - 12				
V299-000290	3 - 21				
V304-000040	6 - 18				
V354-000130	5 - 12				
V401-000110	6 - 14				
V450-000390	6 - 11				
V456-000010	6 - 10				
V471-000770	4 - 19				
V471-002150	4 - 13				
V471-002160	4 - 14				
V475-004110	4 - 12				

YAMABIKO CORPORATION

7-2 SUEHIROCHO 1-CHOME, OHME, TOKYO 198-8760, JAPAN
PHONE: 81-428-32-6118. FAX: 81-428-32-6145.

ECHO®



10Hb
No. 65-099