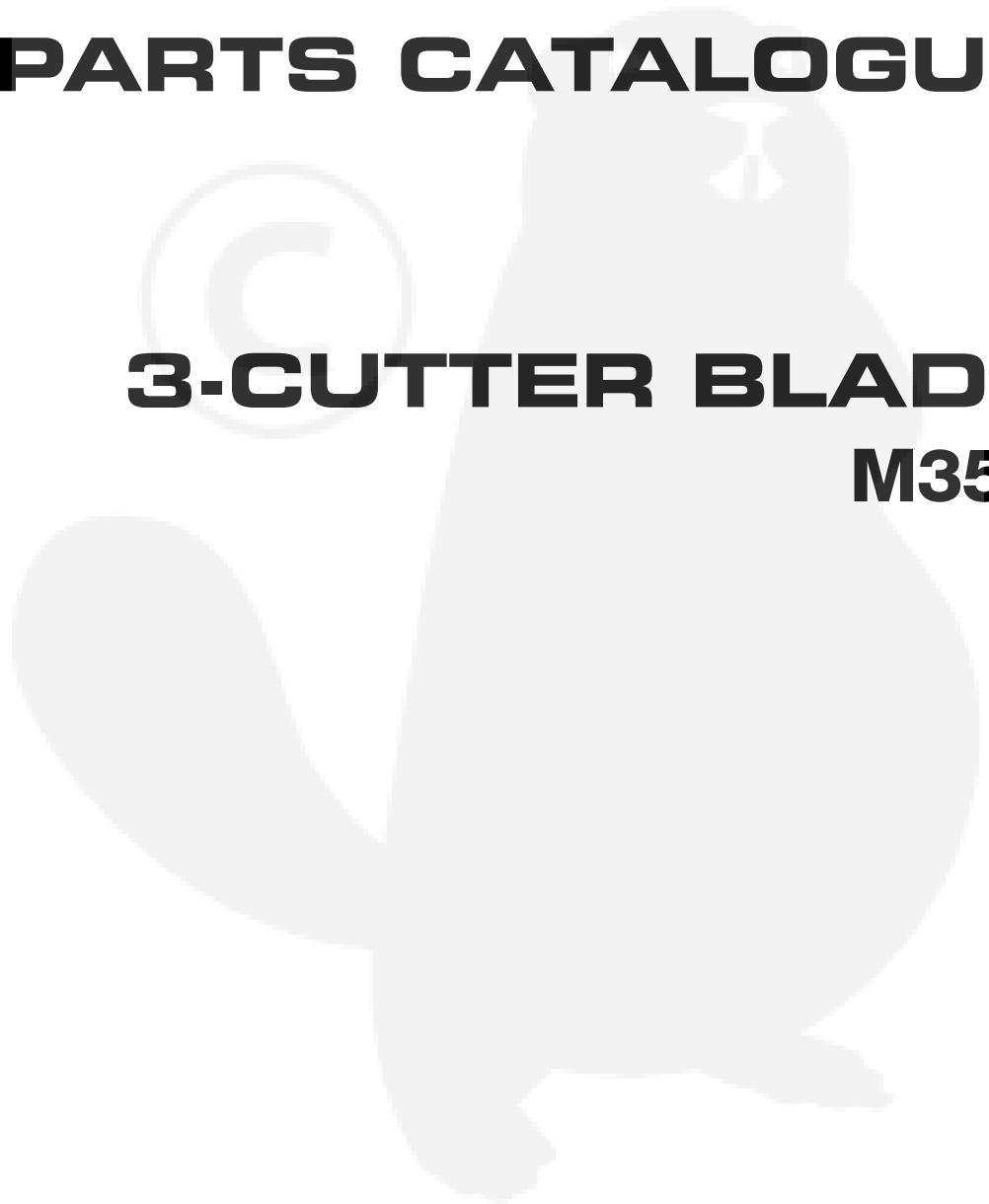




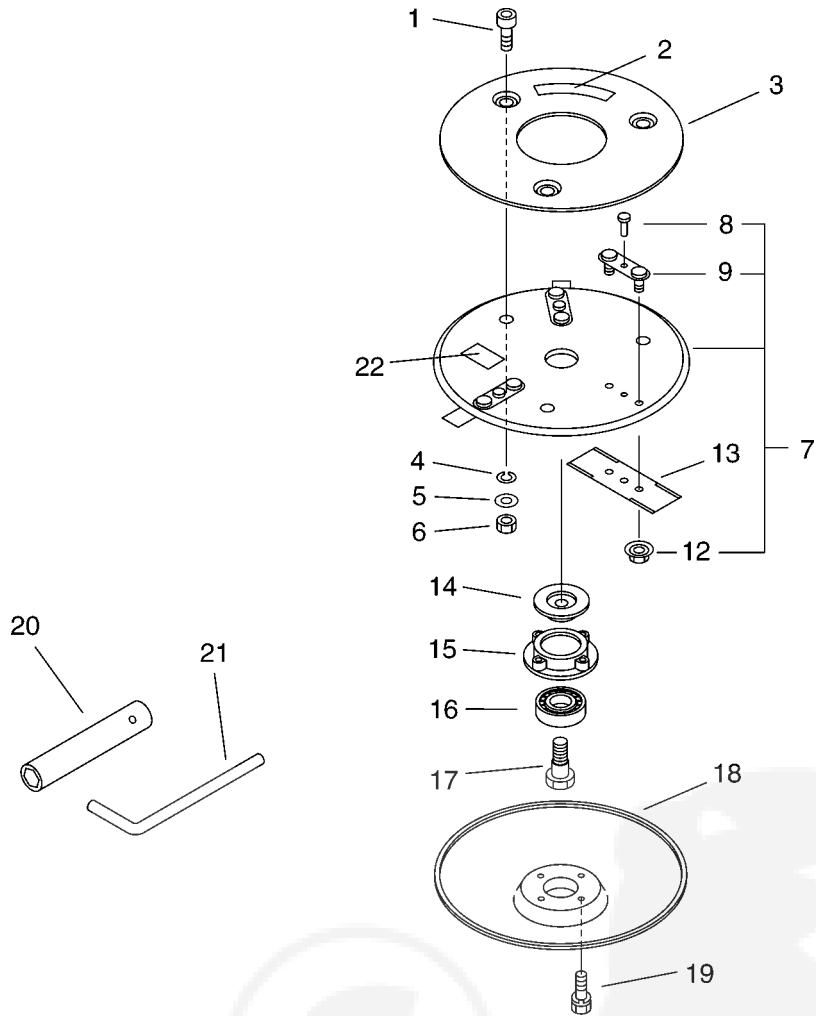
PARTS CATALOGUE

3-CUTTER BLADE

M35A



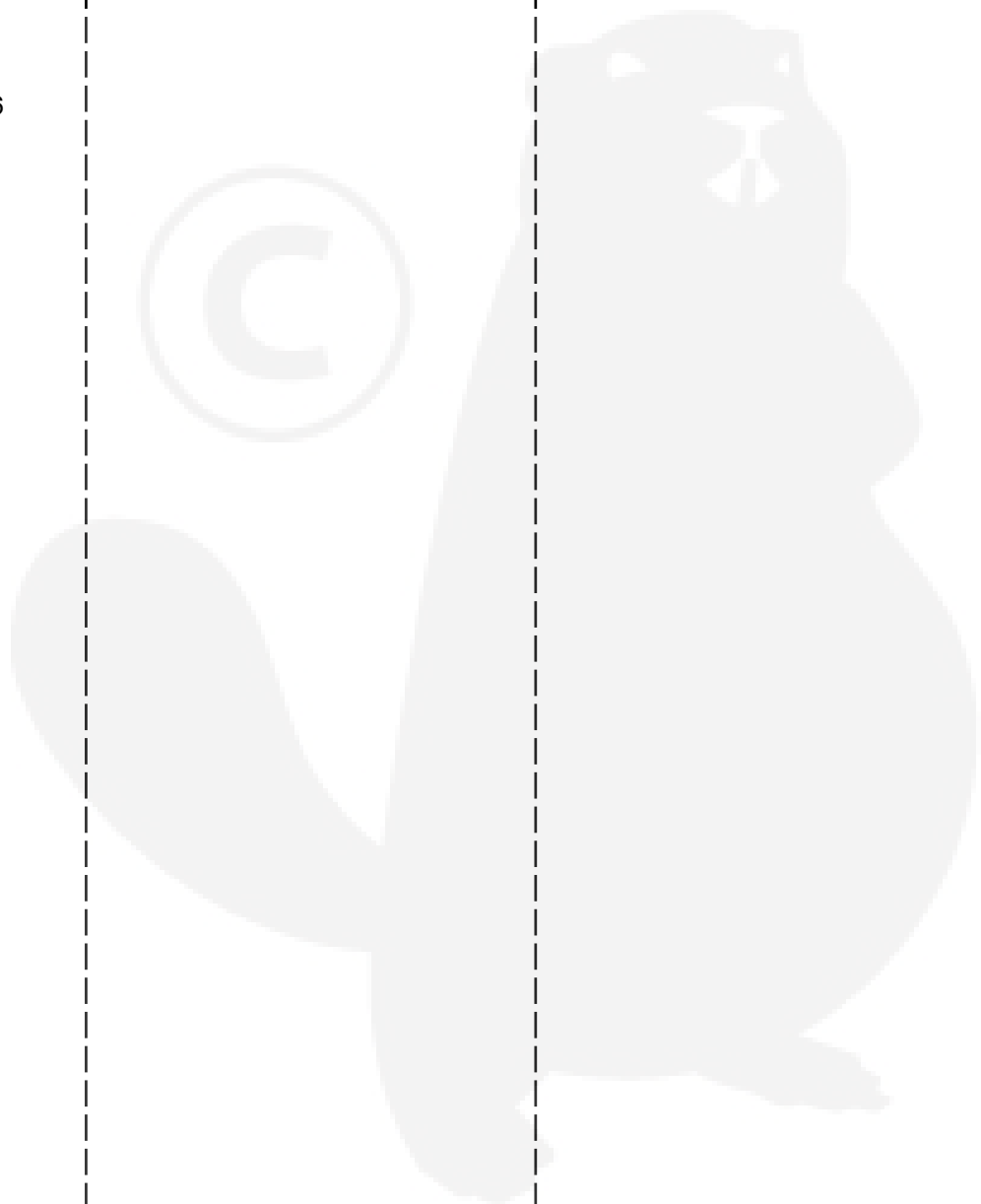
M35A



KEY	LV	PART NUMBER	Q'TY	DESCRIPTION	REMARKS
		P021-009891	1	BLADE ASSY, 3-CUTTER	
1	+	91119-05010	3	BOLT	
2	+	890617-46730	1	LABEL, CAUTION	
3	+	699243-56031	1	COVER, CUTTER	
4	+	900605-00005	3	WASHER, SPRING 5	
5	+	900600-00005	3	WASHER 5	
6	+	900500-00005	3	NUT 5	
7	+	P021-010191	1	BLASE,DSIC ASY	
8	++	900318-20060	3	RIVET (2*6S)	
9	++	X425-000311	3	SUPPORT,CUTTER	
12	++	610320-22330	6	NUT	
13	+	X410-000000	3	CUTTER	
14	+	610313-56830	1	PLATE, ADAPTER (U)	
15	+	699226-05430	1	HOLDER, BEARING	
16	+	900814-06202	1	BEARING, BALL 6202	
17	+	699227-04630	1	NUT	
18	+	699228-05430	1	PLATE, COVER	
19	+	900141-05012	4	BOLT 5*12	
20	+	895314-03430	1	WRENCH, BOX 8	
21	+	897518-01131	1	LOCKING TOOL	
22	+	X524-002070	1	LABEL	

Index

Parts Number	Key No.	Parts Number	Key No.	Parts Number	Key No.
P021-009891	1 -				
P021-010191	1 - 7				
X410-000000	1 - 13				
X425-000311	1 - 9				
X524-002070	1 - 22				
610313-56830	1 - 14				
610320-22330	1 - 12				
699226-05430	1 - 15				
699227-04630	1 - 17				
699228-05430	1 - 18				
699243-56031	1 - 3				
890617-46730	1 - 2				
895314-03430	1 - 20				
897518-01131	1 - 21				
900141-05012	1 - 19				
900318-20060	1 - 8				
900500-00005	1 - 6				
900600-00005	1 - 5				
900605-00005	1 - 4				
900814-06202	1 - 16				
91119-05010	1 - 1				





7-2 SUEHIROCHO 1-CHOME, OHME, TOKYO 198-8711, JAPAN
PHONE: 81-428-32-6118. FAX: 81-428-32-6145.



ECHO[®]

2008/12 641227