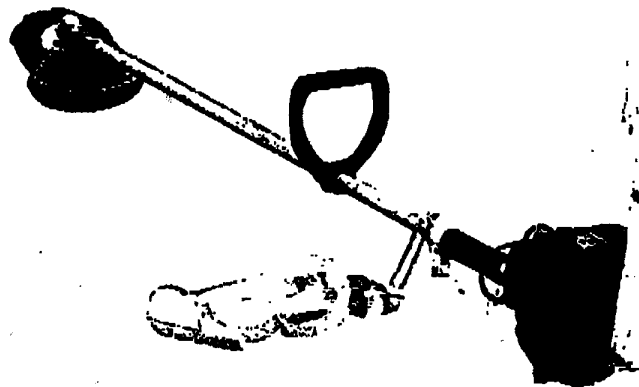


ECHO



OPERATOR'S MANUAL

**ECHO
TRIMMER/
BRUSHCUTTER
SRM-160AE**

CAUTION

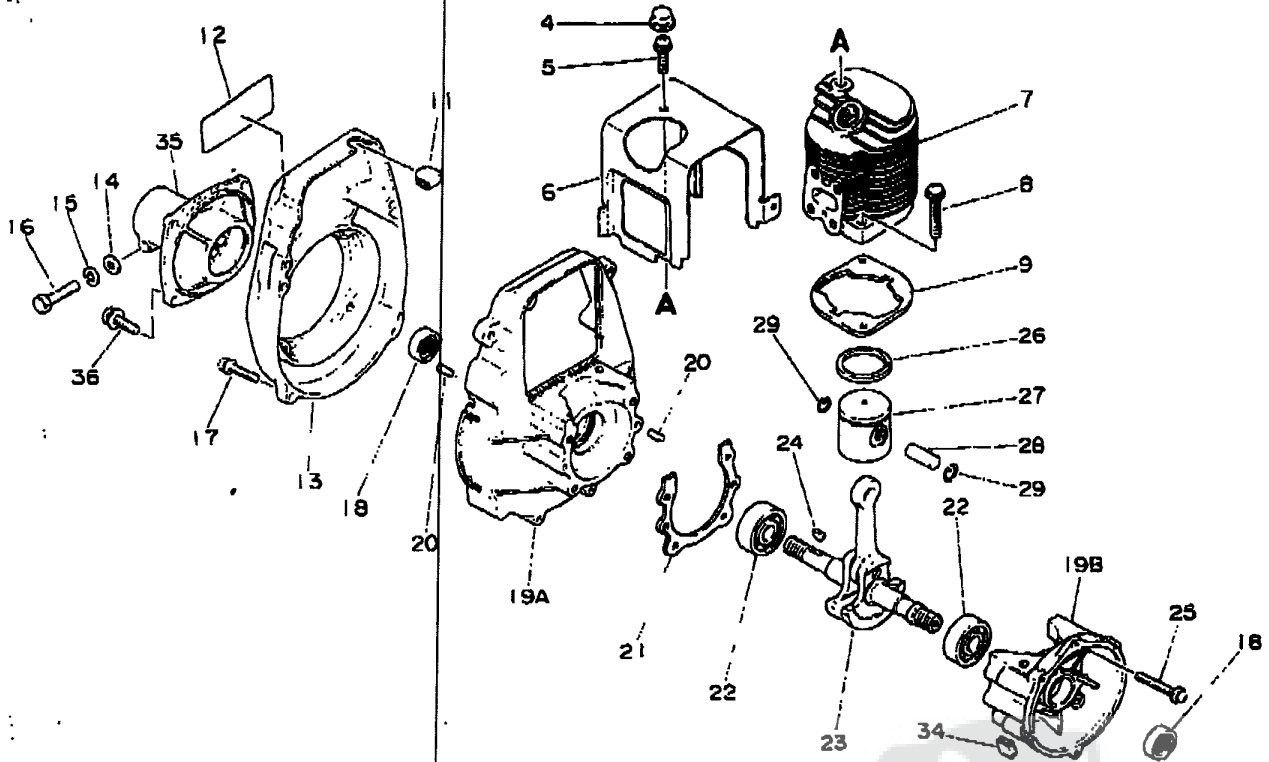
Read this manual before operating.

© 1998 Echo Inc.



898 57128/3-0

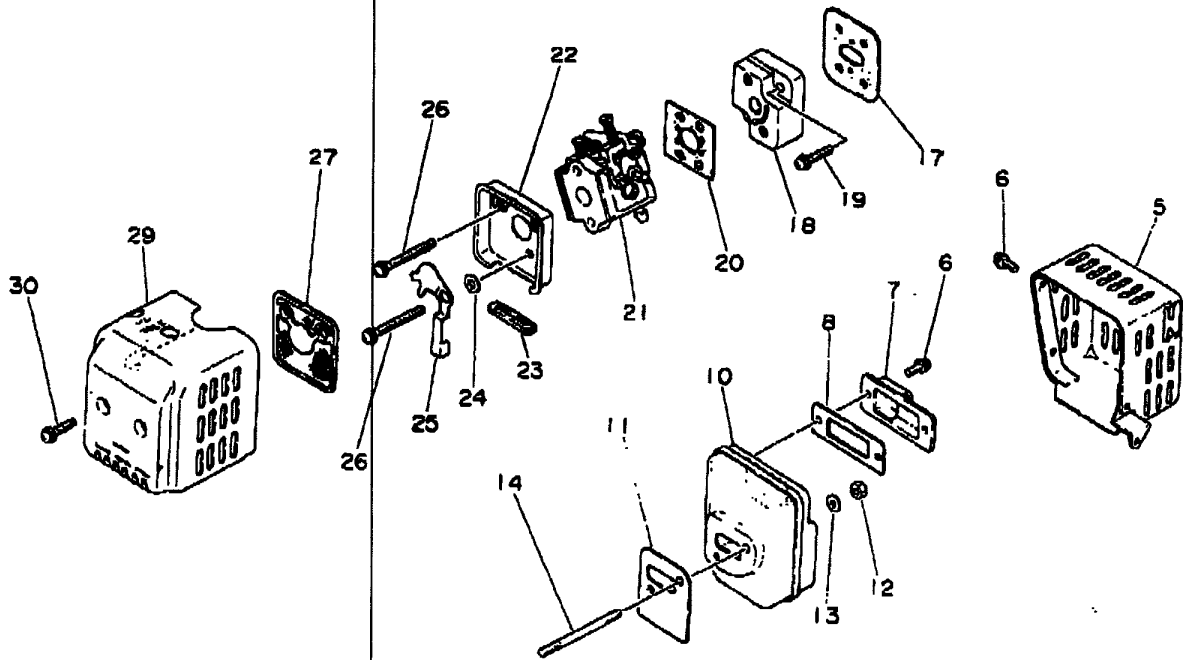
SRM-160AE 1



Key No.	Part Number	Q'ty	Description	Key No.	Part Number	Q'ty	Description
1- 4	880 516-0922 0	1	Cap. screw	1-20	-100 215-0393 0	4	Knock pin
5	900 242-0501 0	1	Screw 5 x 10	21	100 242-0492 0	1	Gasket, crankcase
6	101 514-0922 0	1	Cylinder cover	22	900 810-3620 0	2	Ball bearing
7	101 034-0922 0	1	Cylinder	23	100 100-0492 1	1	Crankshaft ass'y
8	900 242-0802 0	2	Screw 6 x 20	24	100 142-0033 0	1	Key (M)
9	101 010-0492 0	1	Gasket, cyl.	25	900 242-0503 0	4	Screw 5 x 30
11	101 538-0742 0	1	Plug	26	100 011-0216 0	1	Piston ring
12	890 118-2843 0	1	Decal, model	27	100 010-0216 0	1	Piston
13	101 511-2843 0	1	Fan cover	28	100 013-2193 0	1	Piston pin
14	800 800-0000 6	1	Washer 5	29	100 015-0463 0	2	Circclip, piston pin
15	900 605-0000 5	1	Spring washer 5	34	100 223-0553 0	1	Plug
16	900 151-0502 5	1	Bolt 5 x 25	35	810 223-2843 0	1	Case, clutch drum
17	900 242-0402 0	4	Screw 4 x 20	36	900 242-0501 6	4	Screw 5 x 16
18	100 213-0593 0	2	Oilseal				
19	100 200-0492 1	1	Crankcase set				

Remark:
19 Consists of 20 and 2-10

SRM-160AE 3

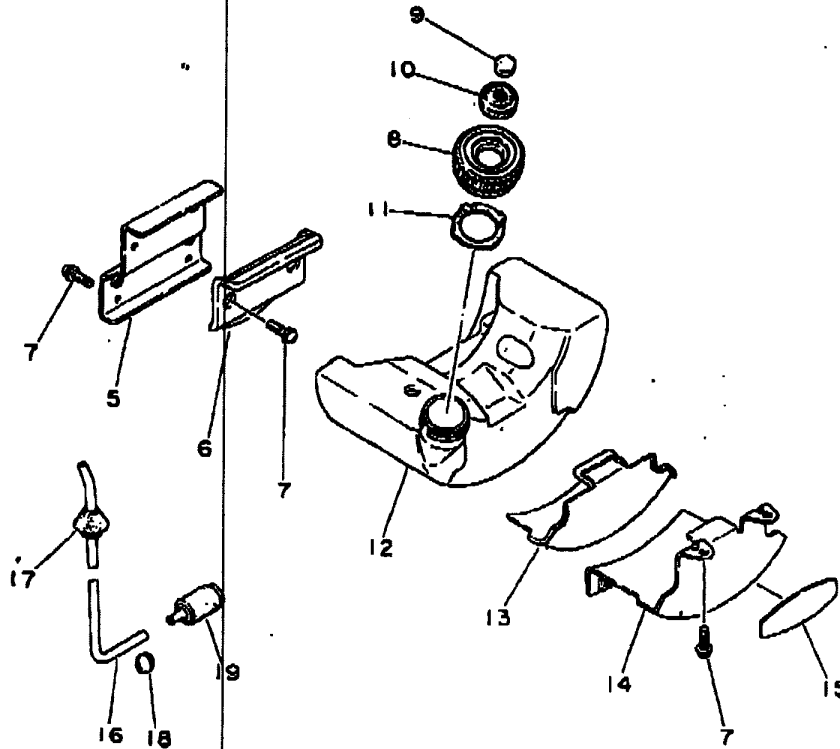


Key No.	Part Number	Q'ty	Description	Key No.	Part Number	Q'ty	Description
3-5	145 871-0922 0	1	Cover, muffler	3-19	900 243-0602 0	2	Screw 5x20
6	900 242-0401 0	4	Screw 4x10	20	130 016-0922 0	1	Gasket, carburetor
7	145 809-2843 0	1	Screen holder	21	123 000-0922 0	1	Carburetor WA 138A
8	145 866-2843 0	1	Gasket				
10	145 806-0922 0	1	Muffler	22	130 301-0922 0	1	Case, air cleaner
11	145 510-0922 0	1	Gasket, muffler	23	-178 810-2163 0	1	Grommet
12	433 020-0083 0	2	Lock nut 5	24	178 518-0083 0	1	Spacer
13	900 603-0000 5	2	Washer 5	25	178 515-0922 0	1	Choke shutter
				26	800 242-0604 0	2	Screw 5x40
14	101 014-0056 0	2	Stud, muffler	27	130 310-0853 0	1	Air filter
17	130 010-0922 0	1	Gasket	29	130 308-0922 0	1	Cover, air cleaner
18	130 007-0922 0	1	Insulator	30	900 242-0401 8	2	Screw 4x18

Remarks:
22 includes 23

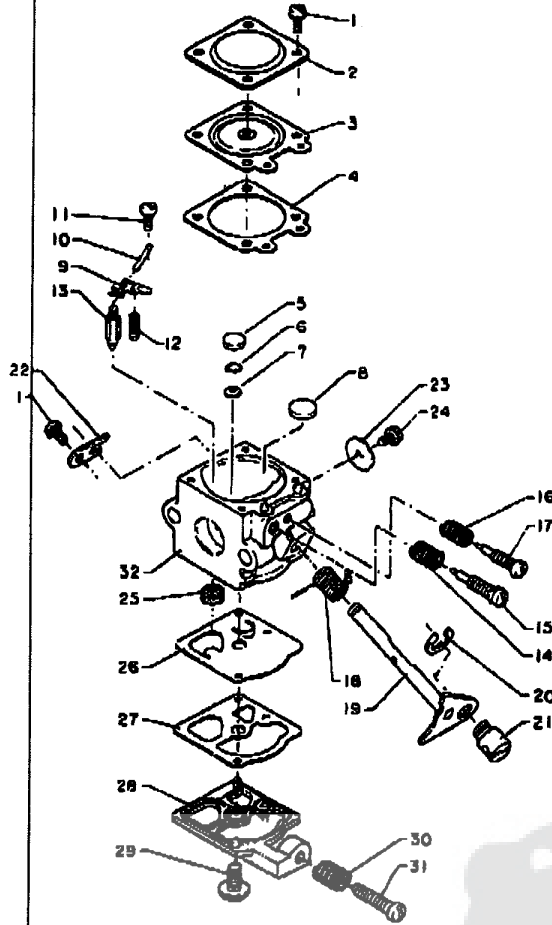
SRM-160AE 4

ECHO FIRE



Key No.	Part Number	Q'ty	Description	Key No.	Part Number	Q'ty	Description
4.	5	1	Bracket, fuel tank	4-15	890 118-2403 0	1	Decal, ECHO
6	131 920-0922 0	1	Cushion, fuel tank	16	132 010-0922 0	1	Fuel pipe (3x6x135)
7	900 242-0401 4	6	Screw 4x14	17	132 115-0492 0	1	Grammat
8	131 004-0632 0	1	Cap ass'y. f. tnk	18	437 411-1983 0	1	Washer
9	-131 315-0502 0	1	Filter	19	131 205-0732 0	1	Fuel strainer
10	-131 314-0532 0	1	Check valve	Remark: B includes 9			
11	-131 016-0492 0	1	Gasket, f. tank cap				
12	131 010-0922 0	1	Fuel tank				
13	131 924-0922 0	1	Cushion				
14	131 918-0922 0	1	Bracket, fuel tank				

SRM-160AE 7



Key No.	Part Number	Q'ty	Description	Key No.	Part Number	Q'ty	Description
7	123 000-0922 0	1	Carburetor WA 138A	7-20	-123 127-1063 0	1	Retaining, spring
1	-123 144-0393 0	5	Screw	21	-123 172-0432 0	1	Swivel
2	-123 142-0393 0	1	Cover, m. diaphragm	22	-123 127-0393 0	1	Clip, throttle shaft
3	-123 141-0393 0	1	Diaphragm, metering	23	-123 118-0653 0	1	Valve, throttle
4	-123 140-0653 0	1	Gasket, m. diaphragm	24	-123 114-0393 0	1	Screw, thrt. valve
5	-123 145-1633 0	1	Plug, walch	25	-123 126-1063 1	1	Screen, inlet
6	-123 169-1063 0	1	Ring, retaining	26	-123 112-1503 0	1	Pump diaphragm
7	-123 169-1063 1	1	Screen	27	-123 125-0922 0	1	Gasket, fuel pump
8	-123 148-1063 0	1	Plug, walch	28	-123 124-0922 0	1	Cover, fuel pump
9	-123 123-0393 0	1	Lever, metering	29	-123 110-0393 0	1	Screw, pump cover
10	-123 138-0393 0	1	Pin, metering lever	30	-123 133-0632 0	1	Spring, idle adjust
11	-123 139-0393 0	1	Screw, m. lever pin	31	-123 134-0632 0	1	Screw, idle adjust
12	-123 122-0653 0	1	Spring, meter. lever	32	-Unavailable	1	Body ass'y
13	-123 137-0393 0	1	Valve, inlet needle				
14	-123 119-2213 0	1	Spring, h. s. needle				
15	-123 120-0076 0	1	Needle, high speed				
16	-123 121-0393 0	1	Spring, needle				
17	-123 118-0922 0	1	Needle, idle				
18	-123 113-0393 0	1	Spring, thrt. return				
19	-123 117-0922 0	1	Shaft, throttle				
					Part Number	Description	Key No.
					123 103-0922 0	Kit, diaphragm/gasket	3, 4, 26 and 27
					123 102-0922 0	Kit, kwik repair	3, 4, 9, 10, 12, 13 and 24 thru 27

Remarks : ' Consists of 1 thru 32