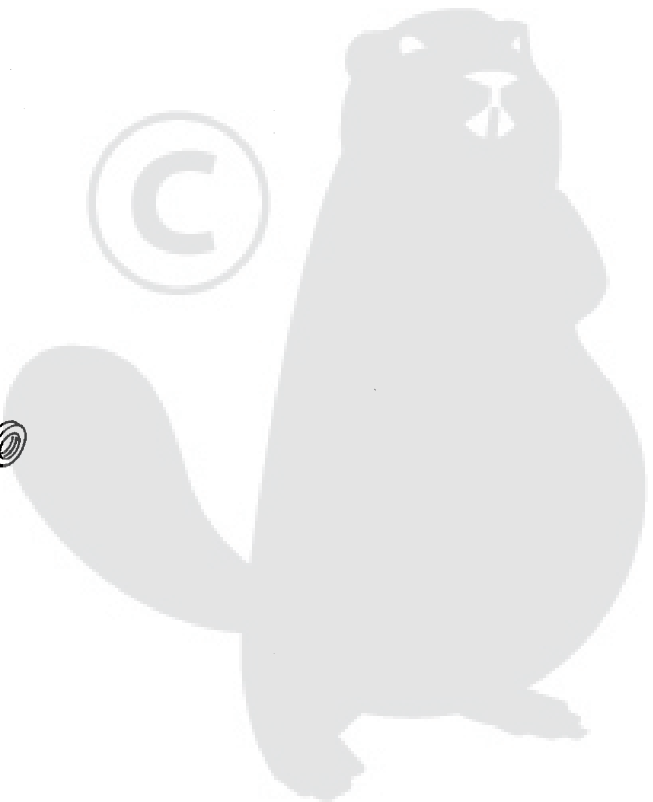
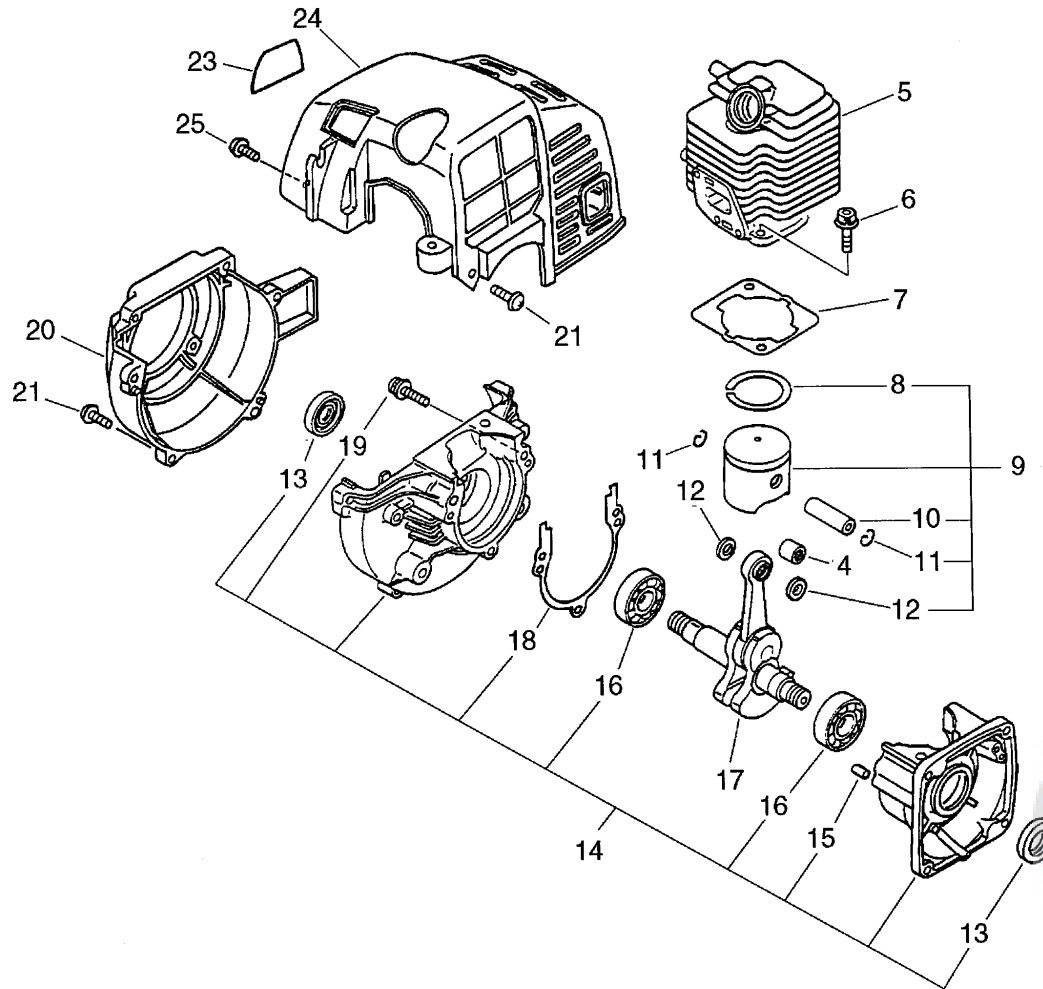


# No.1

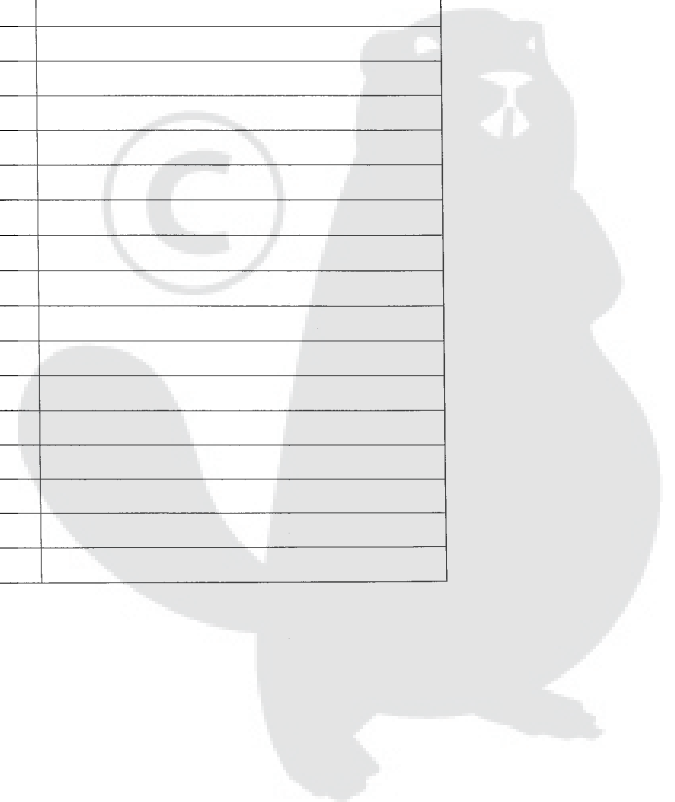


**Parts List**

Date:13-9-2011 Page: 1

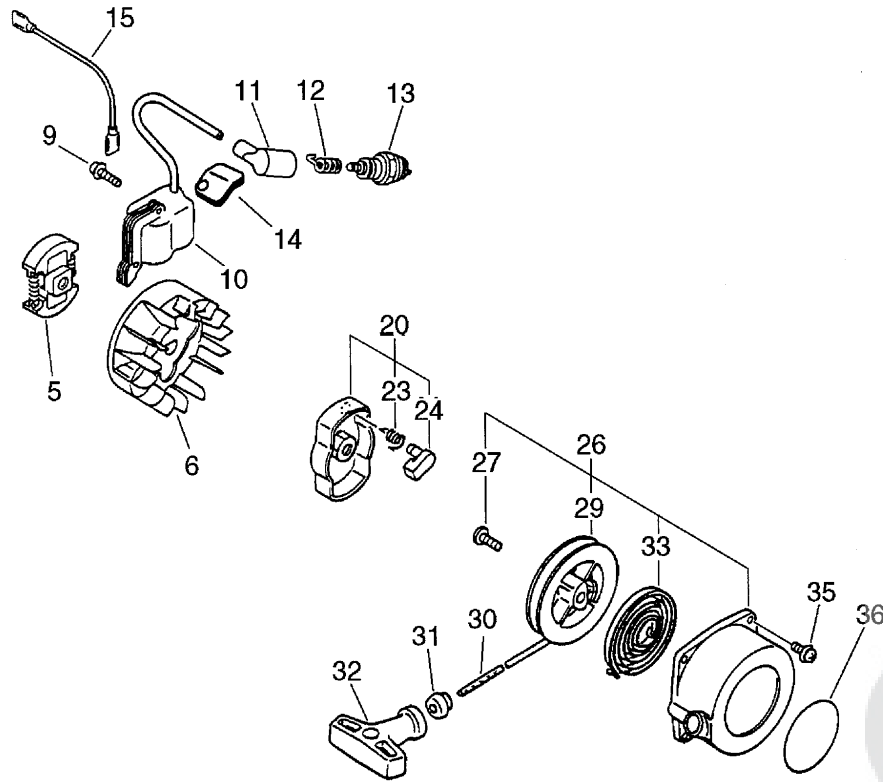
Group:Trimmers/Brushcutters Model:SRM-2300 Section:Cylinder, Crankcase, Piston, Fan Cover( 1)

Key	Lv	Part Number	Q'ty	Description	Remarks	Note
5		101011-45230	1	CYLINDER		
6		900162-05022	2	BOLT, H.S. 5*22		
7		101010-44331	1	GASKET, CYL. BASE	Sus. by 101010-44332	
7		101010-44332	1	GASKET, CYL. BASE		
9		100000-44330	1	PISTON KIT	Sus. by 100000-44331	
9		100000-44331	1	PISTON KIT		
8	+	100011-05330	1	RING, PISTON		
10	+	100013-11520	1	PIN, PISTON		
11	+	100015-04630	2	CIRCLIP, PISTON PIN		
12	+	100014-11520	2	SPACER, PISTON PIN		
14		100204-51030	1	CRANKCASE KIT	Sus. by 100204-51031	
14		100204-51031	1	CRANKCASE KIT		
13	+	100212-42030	2	OILSEAL	Sus. by 100212-42031	
13	+	100212-42031	2	OILSEAL		
15	+	100215-03930	2	PIN, DOWEL		
16	+	900810-36201	2	BEARING, BALL 6201	Sus. by 94035-36201	
16	+	94035-36201	2	BEARING, BALL		
18	+	100242-42030	1	GASKET, CRANKCASE		
19	+	900242-05028	3	SCREW 5*28	Sus. by 900162-05028	
19	+	900162-05028	3	BOLT, H.S. 5*28		
17		100100-44732	1	CRANKSHAFT ASY	Sus. by A011-000101	
17		100100-44733	1	CRANKSHAFT ASY	Sus. by A011-000101	
17		A011-000101	1	CRANKSHAFT, ASM		
4	+	100012-51230	1	BEARING, NEEDLE	Sus. by V553-000010	
4	+	V553-000010	1	BEARING, NEEDLE 8		
20		101511-44730	1	COVER, FAN (BS)		
21		900238-04016	6	SCREW 4*16		
23		890115-44730	1	LABEL, MODEL		





## No.2



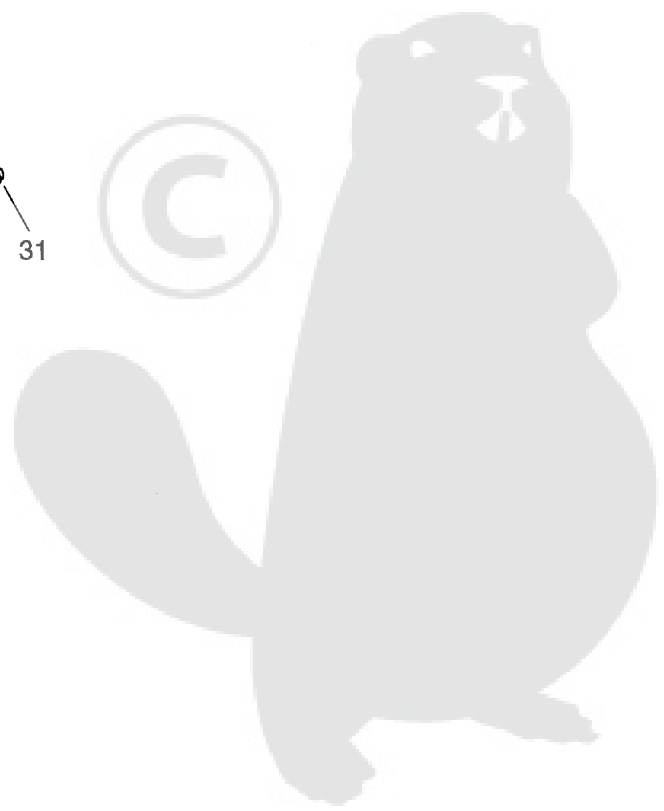
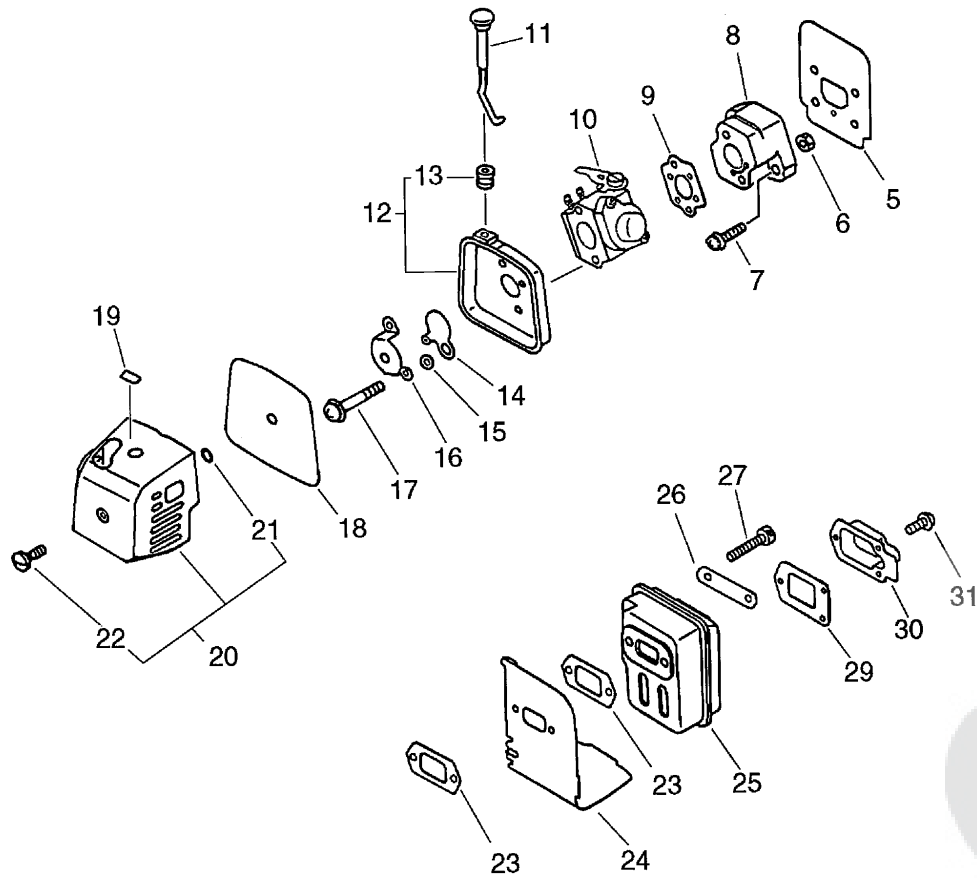
**Parts List**

Group:Trimmers/Brushcutters Model:SRM-2300 Section:Starter, Magneto, Clutch( 2)

Key	Lv	Part Number	Q'ty	Description	Remarks	Note
5		175000-42031	1	CLUTCH ASY	Sus. by 175000-56830	
5		175000-49030	1	CLUTCH ASY	Sus. by 175000-56830	
5		175000-56830	1	CLUTCH ASY		
6		156801-44730	1	FLYWHEEL	Sus. by 156801-44731	
6		156801-44731	1	FLYWHEEL	Sus. by 156801-44731	
6		156801-12360	1	FLYWHEEL	Sus. by 156801-44731	
6		156801-44731	1	FLYWHEEL		
9		900238-04022	2	SCREW 4*22		
10		156601-44730	1	COIL, IGNITION	Sus. by set of 156601-52130 and 162010-52830	
10		156601-44731	1	COIL, IGNITION	Sus. by set of 156601-52130 and 162010-52830	
10		156601-52130	1	COIL, IGNITION		
11		159012-03433	1	CAP, SPARK PLUG		
12		159011-03432	1	COIL, SPARK PLUG CAP		
13		159017-10230	1	PLUG, SPARK (RCJ-7Y)		
14		150112-42030	1	BUSHING		
15		162010-52830	1	LEAD, GROUND		
20		177202-44330	1	PAWL ASY, STARTER	Sus. by 177202-44331	
20		177202-44331	1	PAWL ASM., STARTER		
23	+	177234-42030	1	SPRING, RETURN	Sus. by 177234-12220	
23	+	177234-12220	1	SPRING, PAWL		
24	+	177218-44330	1	PAWL, STARTER		
26		177200-42032	1	STARTER ASY	Sus. by 177200-42033	
26		177200-42033	1	STARTER ASY		
27	+	177236-44330	1	SCREW		
29	+	177215-42030	1	DRUM, STARTER	Sus. by 177215-44430	
29	+	177215-44430	1	DRUM, STARTER		
30	+	177226-10120	1	ROPE, STARTER		
31	+	177227-42030	1	GUIDE, ROPE		



### No.3

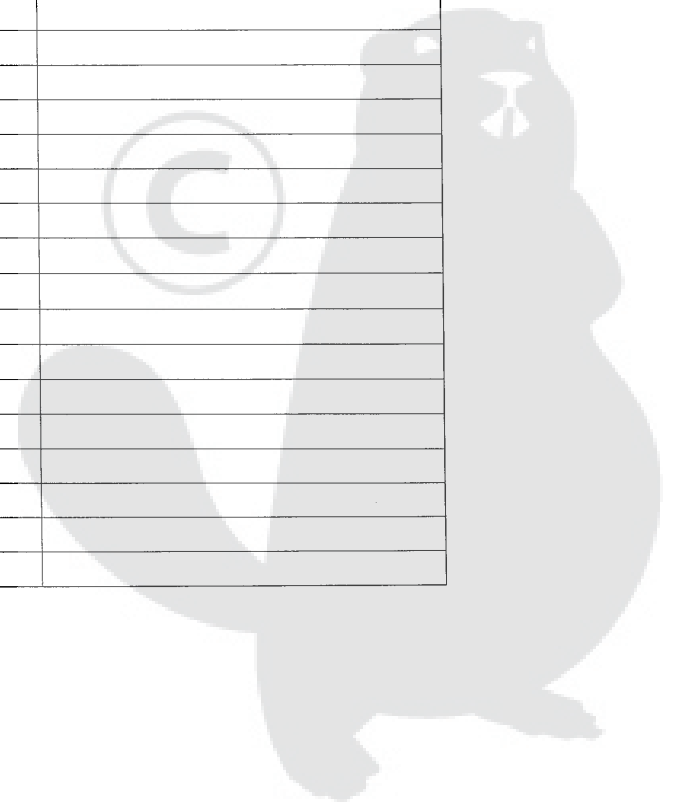


**P a r t s L i s t**

Date:13-9-2011 Page: 1

Group:Trimmers/Brushcutters Model:SRM-2300 Section:Air Cleaner, Muffler( 3)

Key	Lv	Part Number	Q'ty	Description	Remarks	Note
5		130010-42032	1	GASKET, INTAKE		
6		900500-00005	2	NUT 5		
7		900238-05020	2	SCREW 5*20		
8		130017-42031	1	INSULATOR, INTAKE		
9		130016-42031	1	GASKET, INTAKE		
10		125200-44731	1	CARBURETOR ASY	Sr/Nr 76667 and before	
10		125200-52430	1	CARBURETOR ASY	Sus. by 125200-52433	
10		125200-52431	1	CARBURETOR ASY	Sus. by 125200-52433	
10		125200-52432	1	CARBURETOR C1U-K53A	Sus. by 125200-52433	
10		125200-52433	1	CARBURETOR C1U-K53B	Sr/Nr 76668 and after	
11		178510-04560	1	ROD, CHOKE		
12		130301-04560	1	CASE, AIR CLEANER		
13	+	178810-05230	1	GROMMET		
14		178515-04560	1	SHUTTER, CHOKE		
15		178516-00830	1	SPACER		
16		130410-44730	1	BRACKET, AIR CLEANER		
17		900242-05057	2	SCREW 5*57		
18		130310-04560	1	FILTER, AIR		
19		890121-47530	1	LABEL, CHOKE		
20		130302-44730	1	COVER ASY, AIR CLN.	Sr/Nr 76667 and before	
20		130302-49230	1	COVER ASY, AIR CLN.	Sr/Nr 76668 and after	
21	+	900720-00004	1	O-RING (P-4)		
22	+	130415-40630	1	SCREW		
23		145510-42031	2	GASKET, MUFFLER	Sus. by V104-000160	
23		V104-000160	2	GASKET, EXHAUST		
24		145631-42030	1	COVER, MUFFLER	Sus. by A320-000251	
24		A320-000250	1	COVER, MUFFLER	Sus. by A320-000251	
24		A320-000251	1	COVER, MUFFLER		











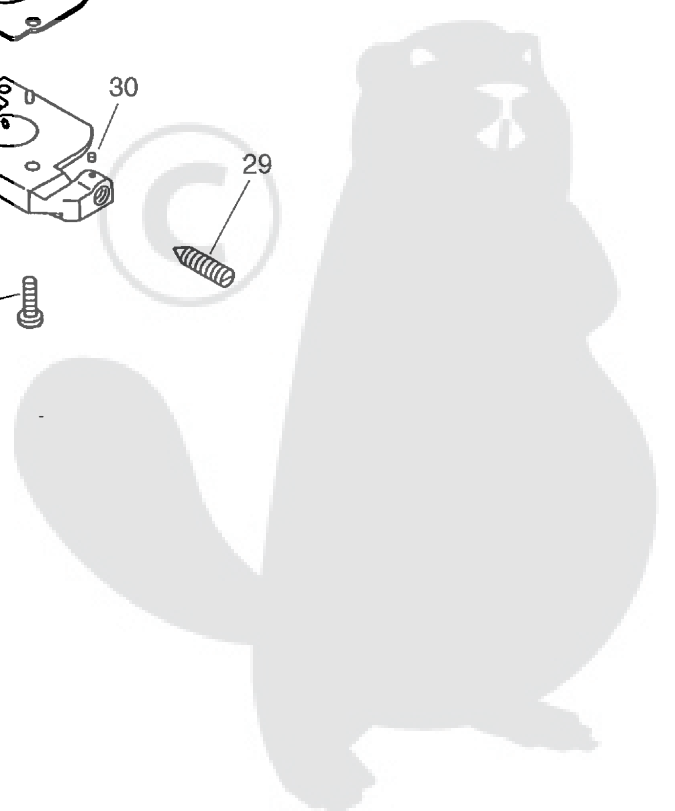
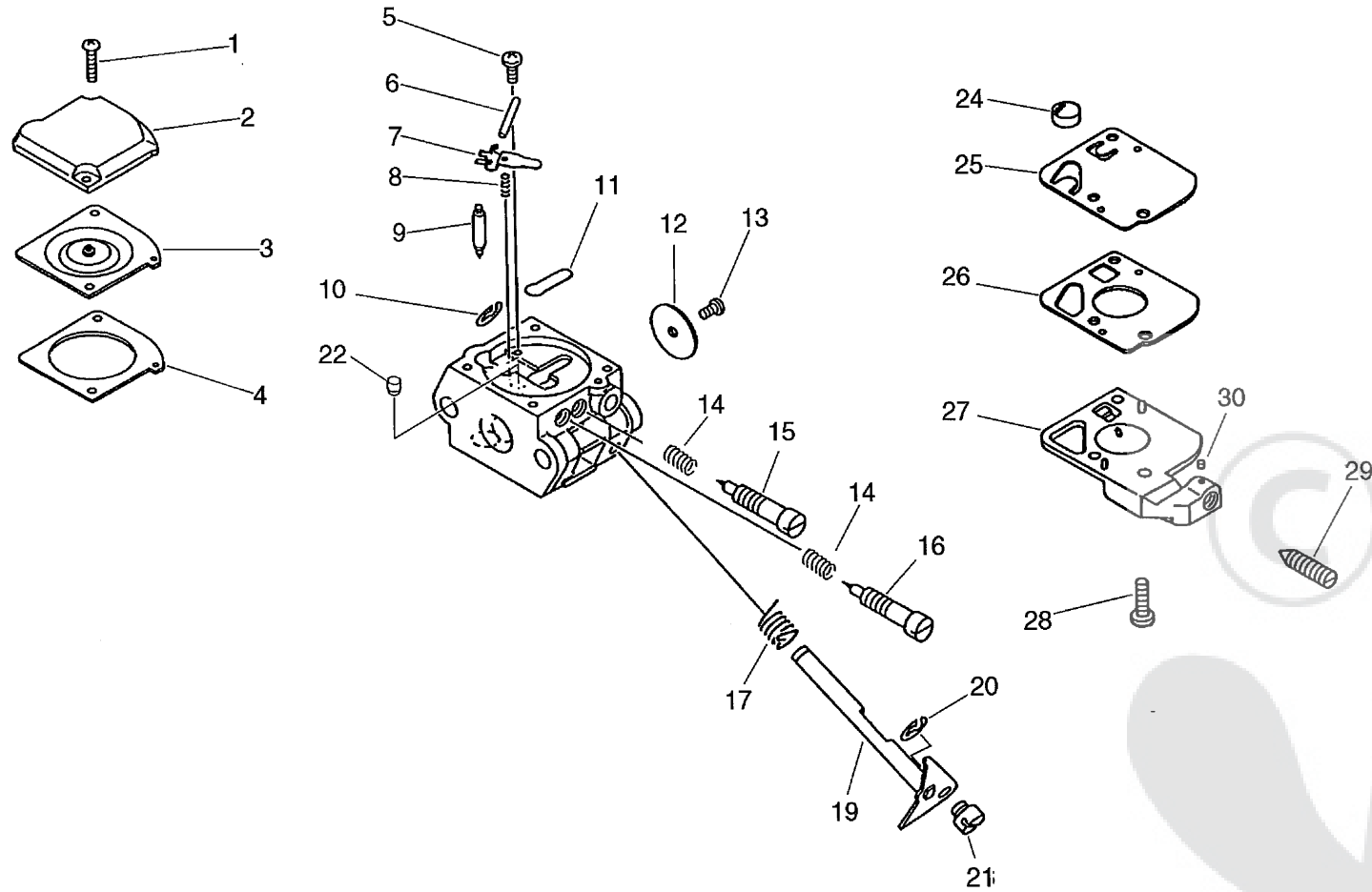
**Parts List**

Date:13-9-2011 Page: 1

Group:Trimmers/Brushcutters Model:SRM-2300 Section:Carburetor(Sr/Nr 76667 and before) ( 5)

Key	Lv	Part Number	Q'ty	Description	Remarks	Note
		125200-44731	1	CARBURETOR ASY	Sr/Nr 76667 and before	
1	+	125344-52130	2	SCREW		
2	+	125342-52130	1	COVER, DIAPHRAGM	Sus. by 125342-13210	
2	+	125342-13210	1	COVER, DIAPHRAGM		
3	+	125341-42030	1	DIAPHRAGM		
4	+	125340-42030	1	GASKET, DIAPHRAGM		
5	+	125339-42030	1	SCREW		
6	+	125338-13930	1	PIN, METERING ARM		
7	+	125323-42030	1	LEVER, METERING		
8	+	125322-42030	1	SPRING, COIL		
9	+	125337-06960	1	VALVE, INLET NEEDLE		
10	+	125327-15130	1	CLIP		
11	+	125345-15130	1	PLUG, WELCH		
12	+	125316-42030	1	VALVE, THROTTLE		
13	+	125314-13930	1	SCREW		
14	+	125319-42030	2	SPRING, COIL		
15	+	125318-42030	1	NEEDLE, IDLE		
16	+	125320-42030	1	NEEDLE, HIGH SPEED		
17	+	125313-42030	1	SPRING, THRT. RETURN		
19	+	125317-42030	1	SHAFT, THROTTLE		
20	+	125327-13930	1	CLIP		
21	+	125372-42030	1	SWIVEL		
22	+	125376-42030	1	NOZZLE, CHECK VALVE		
24	+	125326-42030	1	STRAINER		
25	+	125312-12820	1	DIAPHRAGM, FUEL PUMP		
26	+	125325-42030	1	GASKET, FUEL PUMP	Sus. by 125325-13310	
26	+	125325-13310	1	GASKET, FUEL PUMP		
27	+	125324-42030	1	COVER, PUMP		

# No.5



**Parts List**

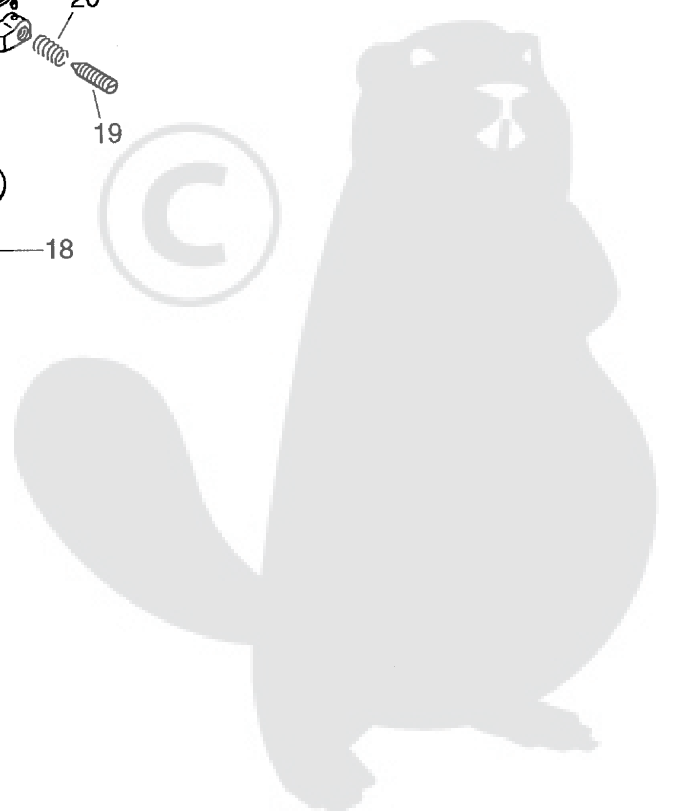
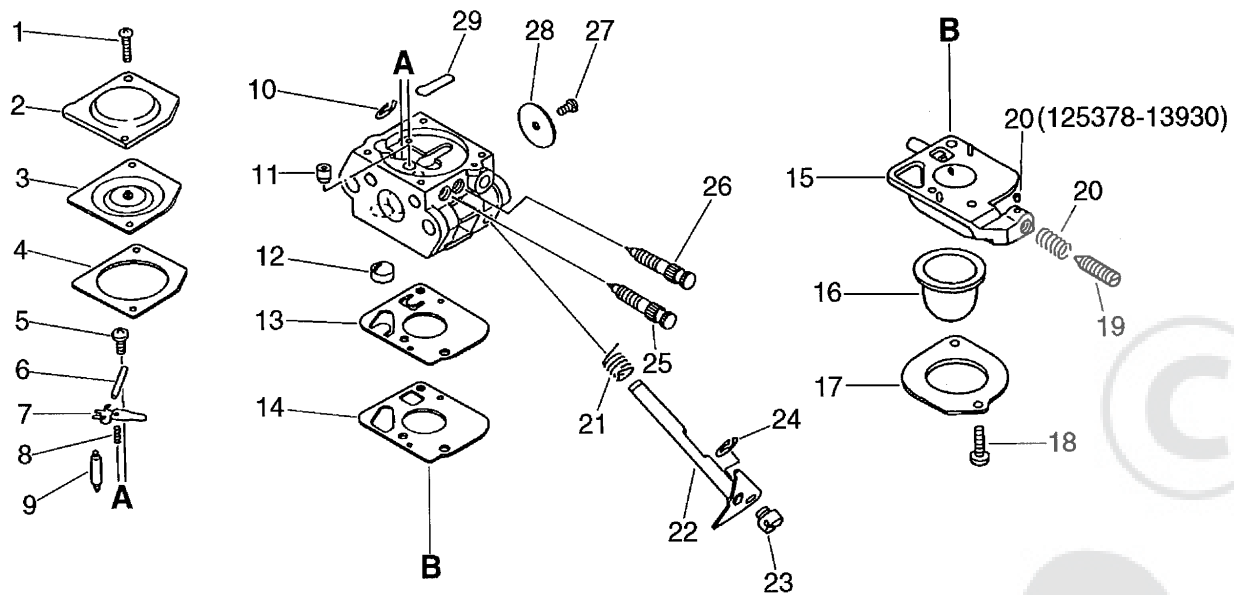
Date:13-9-2011 Page: 1

Group:Trimmers/Brushcutters Model:SRM-2300 Section:Fuel Tank( 4)

Key	Lv	Part Number	Q'ty	Description	Remarks	Note
5		131300-40630	1	VALVE, CHECK	Sus. by 131300-56430	
5		131300-56430	1	VALVE, CHECK		
6		132013-02361	1	CLIP, PIPE	Sus. by 130111-00530	
6		130111-00530	1	CLIP		
7		131312-44330	1	PIPE, 3*5*70L	Sus. by V471-001200	
7		V471-001200	1	PIPE		
8		132115-44330	1	GROMMET	Sr/Nr 76667 and before	
8		132115-46730	1	GROMMET, FUEL	Sr/Nr 76668 and after	
9		132013-09820	1	CLIP		
10		131205-07320	1	STRAINER, FUEL		
11		132010-13930	1	PIPE, FUEL	Sus. by V471-001190	
11		V471-001190	1	PIPE		
12		900243-05016	2	SCREW 5*16		
13		132010-56330	1	PIPE 3*6*90	Sr/Nr 76668 and after	
15		131005-44430	1	TANK, FUEL	Sus. by 131005-44332	
15		131005-44431	1	TANK, FUEL	Sus. by 131005-44332	
15		131005-44331	1	TANK, FUEL	Sus. by 131005-44332	
15		131005-44332	1	TANK, FUEL		
16		131004-46730	1	CAP ASY, FUEL TANK	Sus. by 131004-08960	
16		131004-08960	1	CAP ASY, FUEL		
17 +		131016-40930	1	GASKET, FUEL CAP	Can be used on the 131004-46730 only	
17 +		131016-55830	1	GASKET, FUEL CAP	Can be used on the 131004-08960 only	
18 +		131051-52430	1	CONNECTOR, CAP		
19		305110-42030	1	STAND (BL)		



# No.6

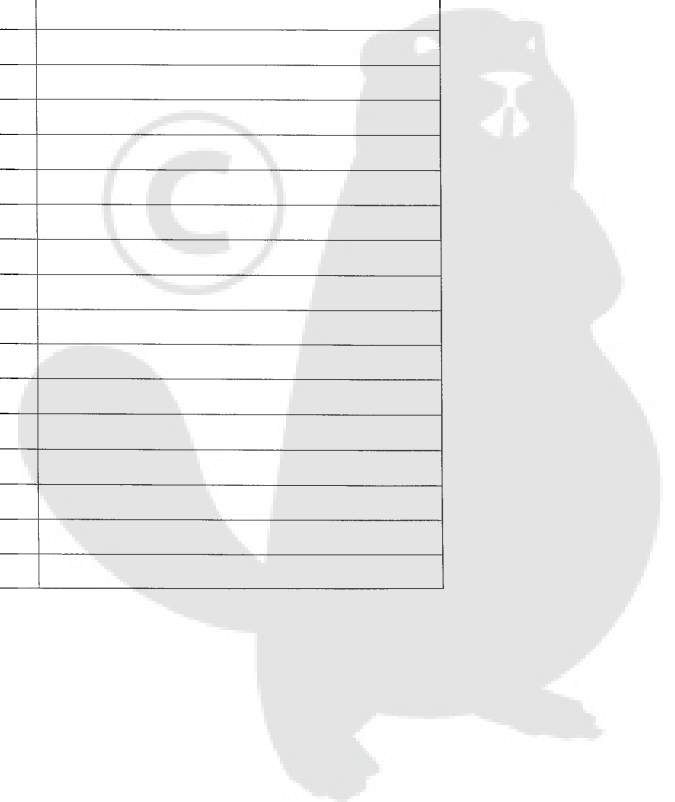


P a r t s L i s t

Date:13-9-2011 Page: 1

Group:Trimmers/Brushcutters Model:SRM-2300 Section:Carburetor(Sr/Nr 76668 and after) ( 6)

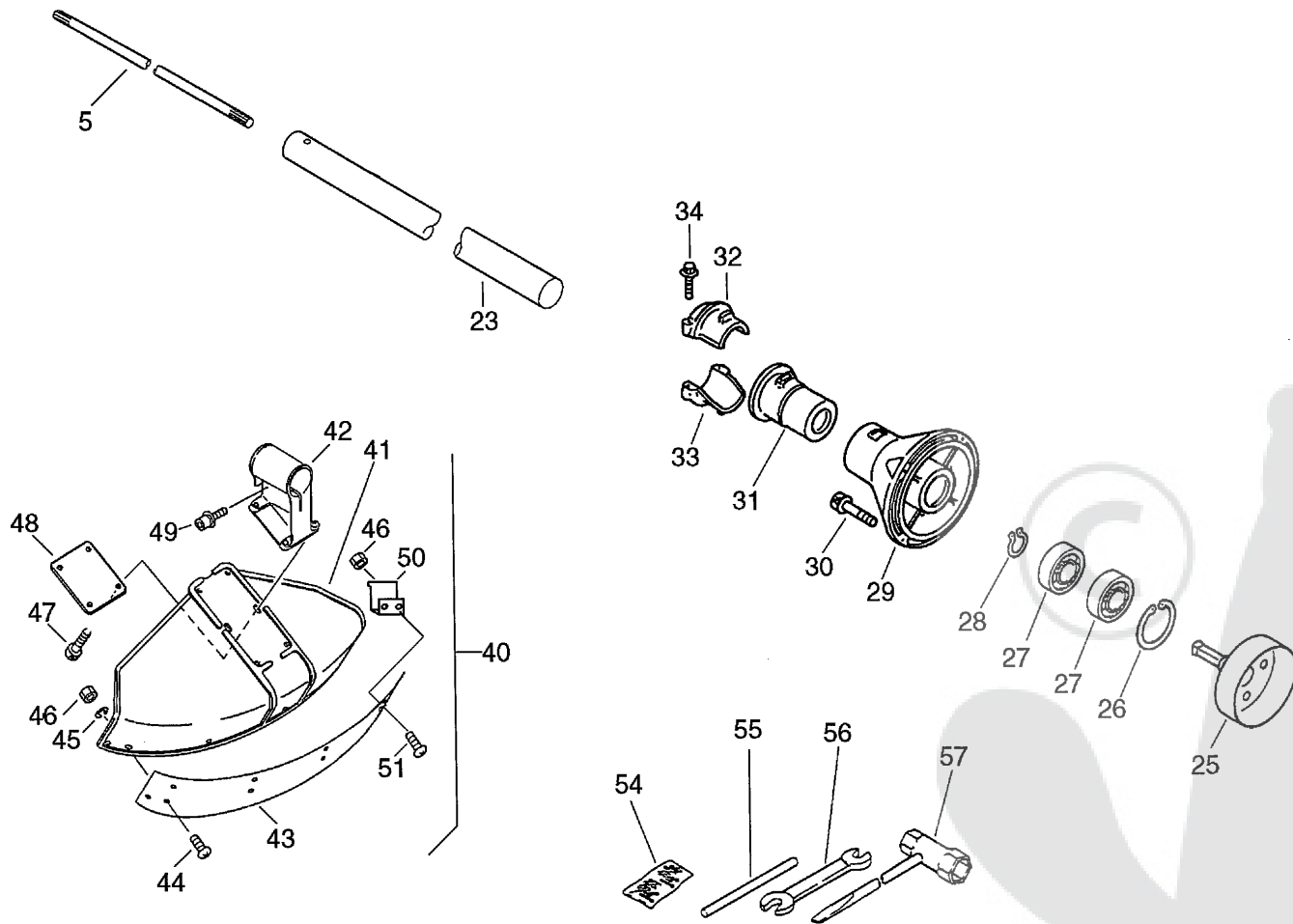
Key	Lv	Part Number	Q'ty	Description	Remarks	Note
		125200-52430	1	CARBURETOR ASY	Sus. by 125200-52433	
		125200-52431	1	CARBURETOR ASY	Sus. by 125200-52433	
		125200-52432	1	CARBURETOR C1U-K53A	Sus. by 125200-52433	
		125200-52433	1	CARBURETOR C1U-K53B	Sr/Nr 76668 and after	
1	+	125344-52130	2	SCREW		
2	+	125342-13210	1	COVER, DIAPHRAGM	Sus. by 125342-52130	
2	+	125342-52130	1	COVER, DIAPHRAGM		
3	+	125341-49030	1	DIAPHRAGM		
4	+	125340-51030	1	GASKET, DIAPHRAGM		
5	+	125339-42030	1	SCREW		
6	+	125338-13930	1	PIN, METERING ARM		
7	+	125323-42030	1	LEVER, METERING		
8	+	125322-42030	1	SPRING, COIL	Sus. by 125322-11520	
8	+	125322-11520	1	SPRING, COIL		
9	+	125337-06960	1	VALVE, INLET NEEDLE		
10	+	125327-15130	1	CLIP		
11	+	125376-49030	1	NOZZLE, CHECK VALVE	Sus. by P005-001050	
11	+	P005-001050	1	NOZZLE, CHECK VALVE		
12	+	125326-42030	1	STRAINER		
13	+	125312-12820	1	DIAPHRAGM, FUEL PUMP		
14	+	125325-13310	1	GASKET, PUMP		
15	+	125383-13310	1	BASE, PRIMER	Sus. by P005-000590	
15	+	P005-000590	1	BASE, PRIMER		
16	+	125381-08660	1	PUMP, PRIMING		
17	+	125363-11610	1	RING		
18	+	125310-11610	2	SCREW		
19	+	125334-13930	1	SCREW, IDLE ADJUST	Can be used on the 125200-52430 only	
19	+	125334-06960	1	SCREW, IDLE ADJUST	Can be used on the 125200-52431 only	







### No.7



**Parts List**

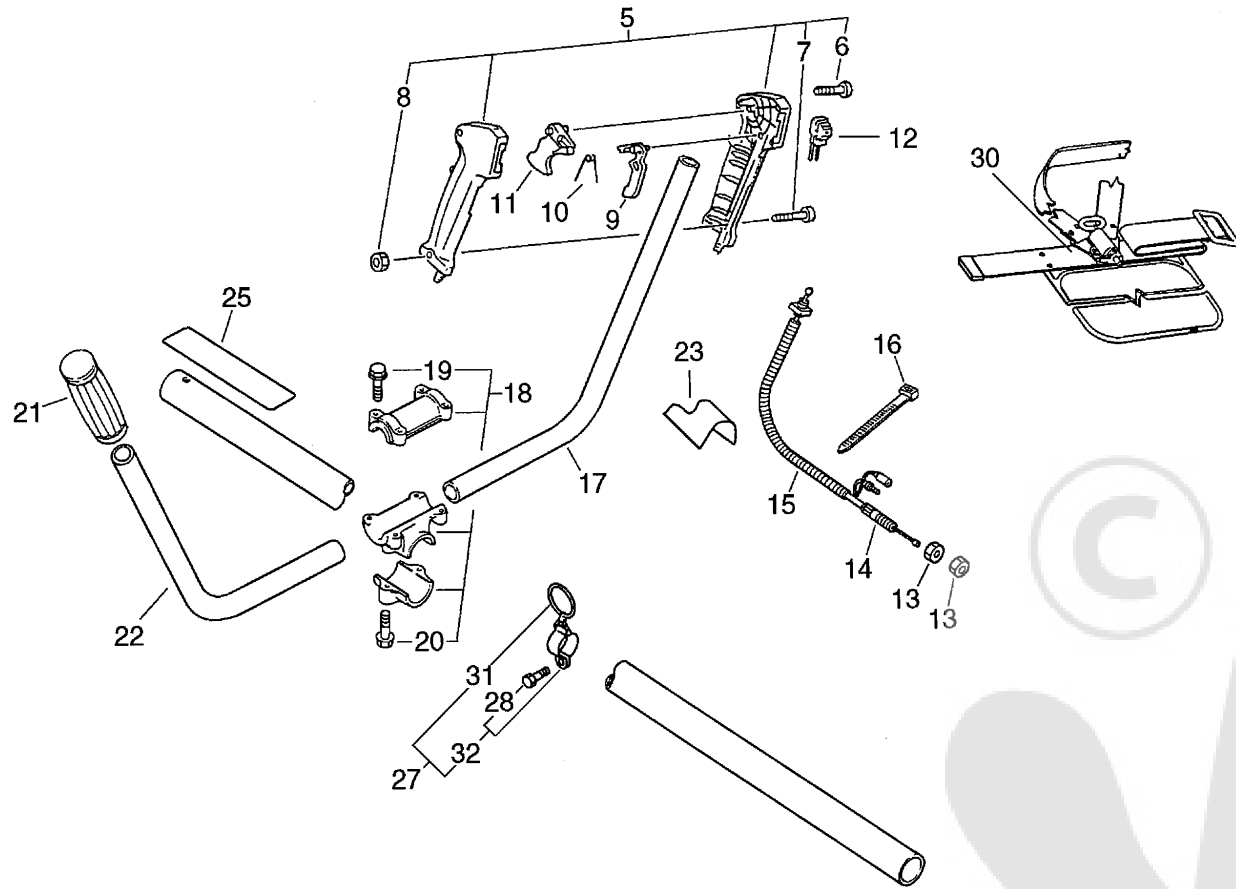
Date:13-9-2011 Page: 1

Group:Trimmers/Brushcutters Model:SRM-2300 Section:Shield, Tools( 7)

Key	Lv	Part Number	Q'ty	Description	Remarks	Note
5		610018-27830	1	SHAFT, DRIVE		
23		610206-28230	1	HOUSING ASS'Y D,SFT.		
25		175005-47630	1	DRUM, CLUTCH		
26		900702-00028	1	CIRCLIP 28		
27		900807-06001	2	BEARING, BALL 6001		
28		900701-00012	1	CIRCLIP 12		
29		610223-44730	1	CASE, CLUTCH (BS)		
30		900238-05016	4	SCREW 5*16		
31		610910-27832	1	CUSHION		
32		610922-27432	1	HOLDER		
33		610923-27432	1	HOLDER		
34		900142-05025	2	BOLT 5*25 (W/W,SW)		
40		699031-44730	1	SHIELD, ASY		
41	+	699010-54430	1	SHIELD, BLADE		
42	+	699011-27230	1	BRACKET, SHIELD		
43	+	699013-52130	1	PLATE, SHIELD		
44	+	900242-05018	4	SCREW 5*18		
45	+	900603-00005	4	WASHER 5		
46	+	900500-00005	6	NUT 5		
47	+	900242-05014	4	SCREW 5*14		
48	+	699C15-52130	1	PLATE, SHIELD		
49	+	900142-05025	2	BOLT 5*25 (W/W,SW)		
50	+	699016-52130	1	KNIFE, CORD	Sus. by 699016-54530	
50	+	699016-54530	1	KNIFE, CORD		
51	+	900242-05012	2	SCREW 5*12		
54		898502-01130	1	PIN 2*22 (W/POUCH)		
55		897518-01131	1	LOCKING TOOL		
56		895112-00330	1	SPANNER 8*10		



# No.8

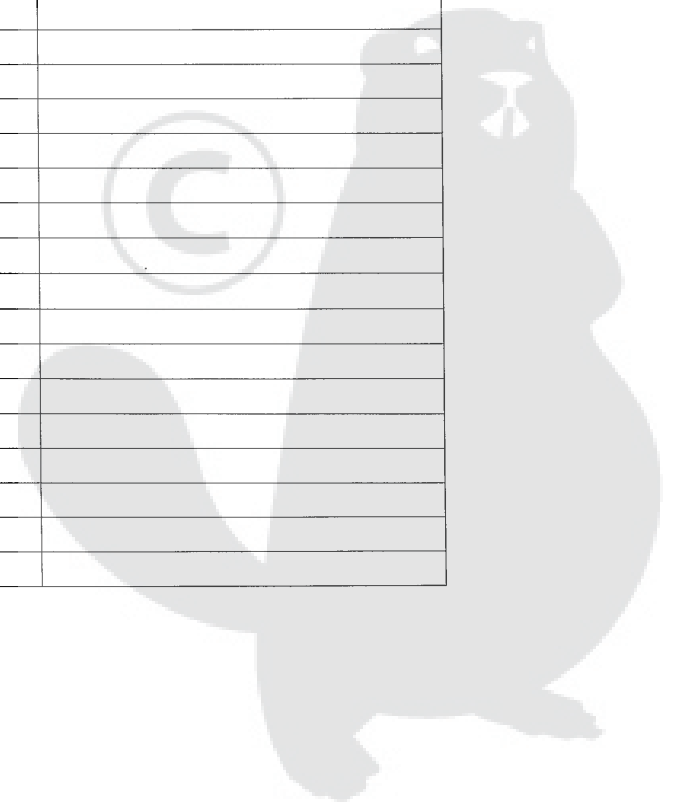


**Parts List**

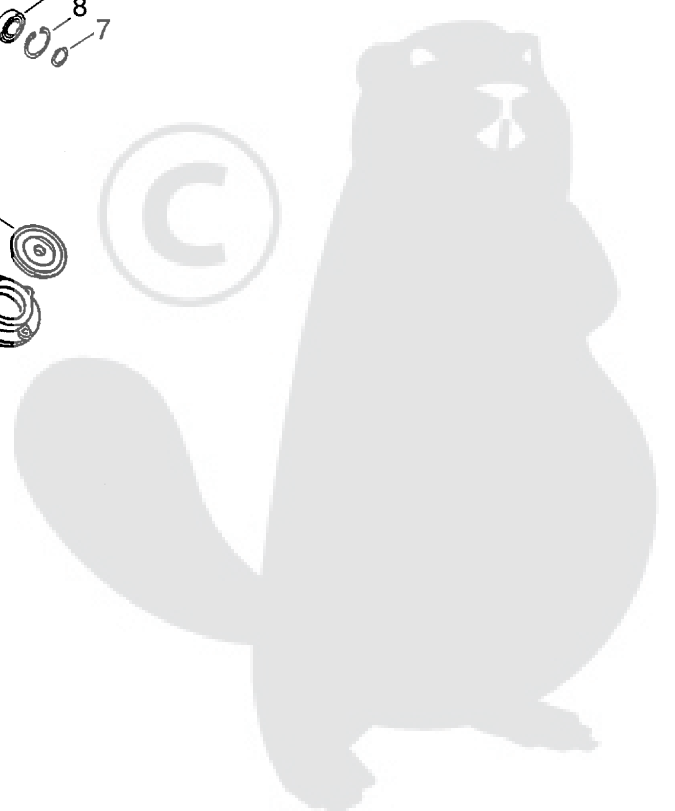
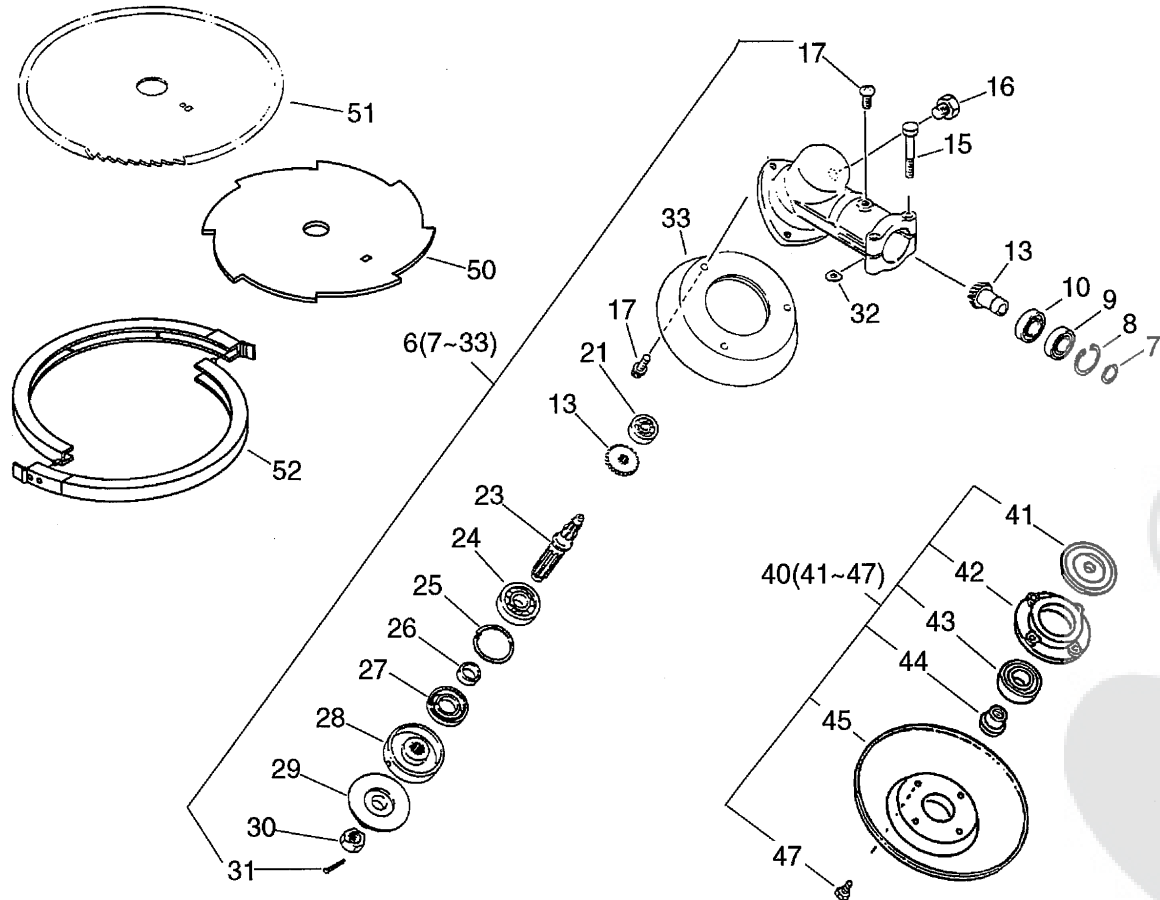
Date:13-9-2011 Page: 1

Group:Trimmers/Brushcutters Model:SRM-2300 Section:U-Handle( 8)

Key	Lv	Part Number	Q'ty	Description	Remarks	Note
4		890157-39130	1	LABEL, SWITCH	Diuse	
5		351102-47530	1	GRIP ASY, F-HANDLE		
6	+	900246-03025	4	SCREW 3*25		
7	+	900220-05030	1	SCREW 5*30		
8	+	900500-00005	1	NUT 5		
9		178012-05960	1	LOCKOUT, THROTTLE		
10		178013-35631	1	SPRING, THR. LOCK		
11		178010-05960	1	CONTROL, THROTTLE		
12		163401-49230	1	SWITCH, IGNITION		
13		900502-00006	2	NUT 6 (3N)		
14		178001-47530	1	WIRE, THROTTLE		
15		178127-47530	1	TUBE		
16		178121-43230	1	BAND		
17		351010-43130	1	HANDLE, FRONT		
18		351301-09230	1	BRACKET AS'Y, HNDL.	Sus. by P021-000460	
18		P021-000460	1	FIXTURE,ASY HANDLE		
19	+	900142-05025	4	BOLT 5*25 (W/W,SW)		
20	+	900142-06030	2	BOLT 6*30 (W/W,SW)		
21		351311-02330	1	GRIP, HANDLE		
22		351210-05530	1	HANDLE, LEFT (SL)		
23		178111-04930	1	CLIP		
25		890617-46830	1	LABEL, CAUTION	Sus. by 890617-43130	
25		890617-43130	1	LABEL, CAUTION		
27		301200-21330	1	HOOK AS'Y		
31	+	301015-05330	1	HOOK, BAND		
32	+	301205-21330	1	HOOK		
28	++	900100-05012	1	BOLT 5*12		
30		301000-44730	1	HARNESS, SHOULDER		



# No.9

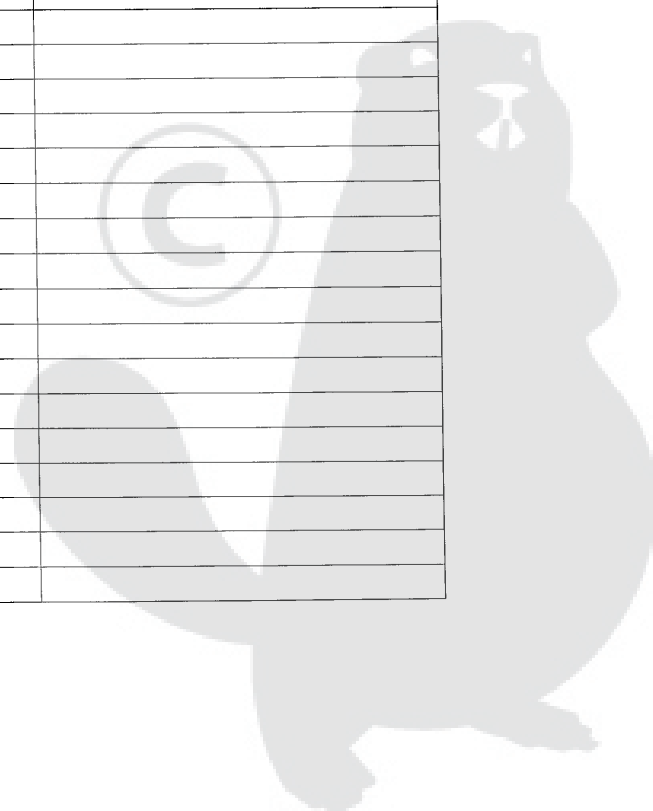


**Parts List**

Date:13-9-2011 Page: 1

Group:Trimmers/Brushcutters Model:SRM-2300 Section:Gear Case(U-Handle Type), Blade( 9)

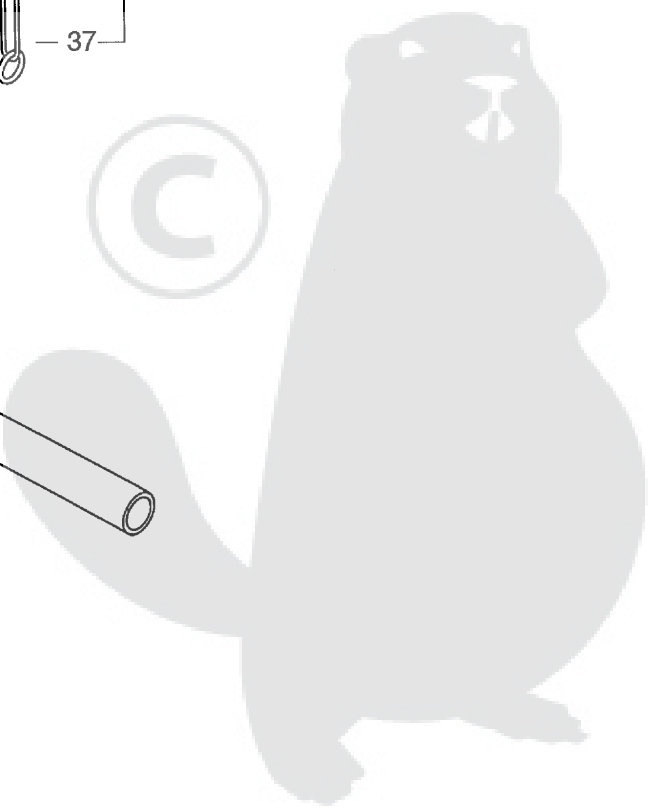
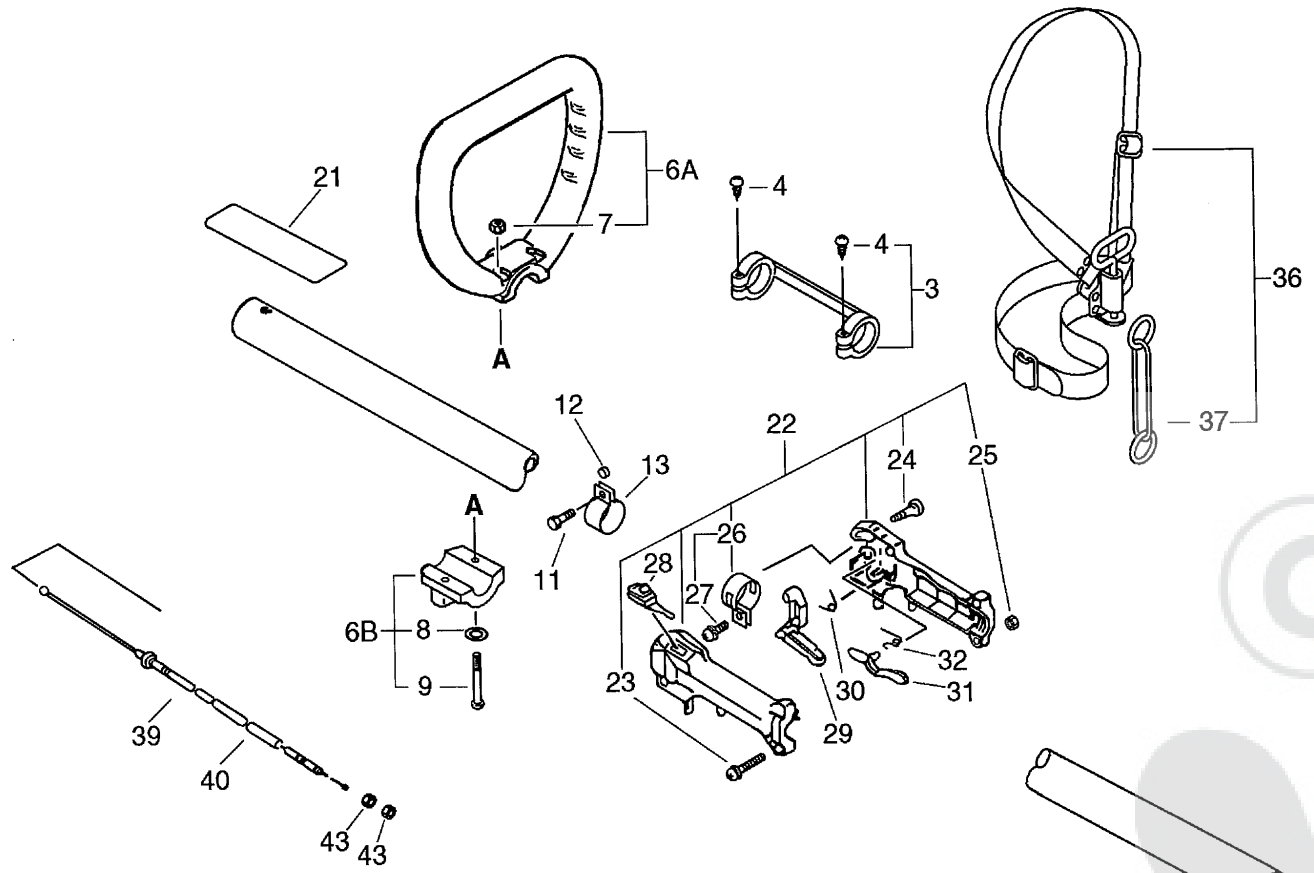
Key	Lv	Part Number	Q'ty	Description	Remarks	Note
6		610400-41630	1	HOUSING ASY, GEAR		
7	+	900706-00010	1	CIRCLIP 10		
8	+	900702-00022	1	CIRCLIP 22		
9	+	900858-06900	1	BEARING, BALL 6900Z		
10	+	900855-06900	1	BEARING, BALL 6900		
13	+	610300-40830	1	GEAR SET		
15	+	900142-05028	2	BOLT 5*28 (W/W,SW)		
16	+	610434-50030	1	BOLT 8* 6	Sus. by 610434-50031	
16	+	610434-50031	1	BOLT 8* 8		
17	+	900242-05010	4	SCREW 5*10		
21	+	900810-00626	1	BEARING, BALL 626		
23	+	610310-40830	1	SHAFT, P.T.O.		
24	+	900800-06000	1	BEARING, BALL 6000		
25	+	900702-00026	1	CIRCLIP 26		
26	+	610315-22830	1	SPACER		
27	+	610413-22830	1	OILSEAL		
28	+	610313-22830	1	PLATE, ADAPTER (U)		
29	+	610314-27230	1	PLATE, ADAPTER		
30	+	900511-00010	1	NUT 10 (L-H)		
31	+	900300-20022	1	PIN, SPLIT 2*22		
32	+	610239-04130	2	WASHER, SHIM		
33	+	610443-22830	1	PLATE, GUARD (WH)		
40		699200-08931	1	CUP ASY, FREE		
41	+	610314-04631	1	PLATE, ADAPTER (L)		
42	+	699226-05430	1	HOLDER, BEARING		
43	+	900814-06202	1	BEARING, BALL 6202		
44	+	699227-04630	1	NUT		
45	+	699228-08930	1	PLATE, COVER		







# No.10

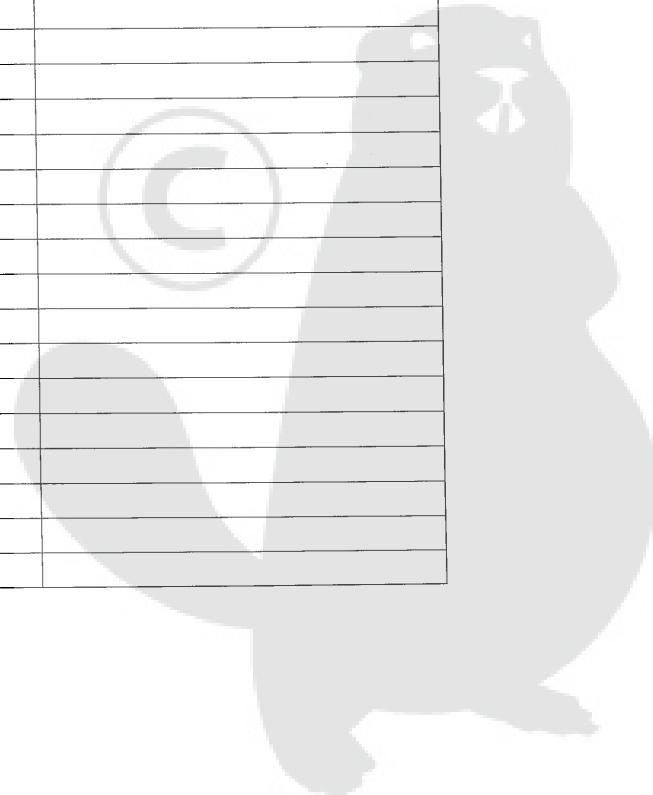


**Parts List**

Date:13-9-2011 Page: 1

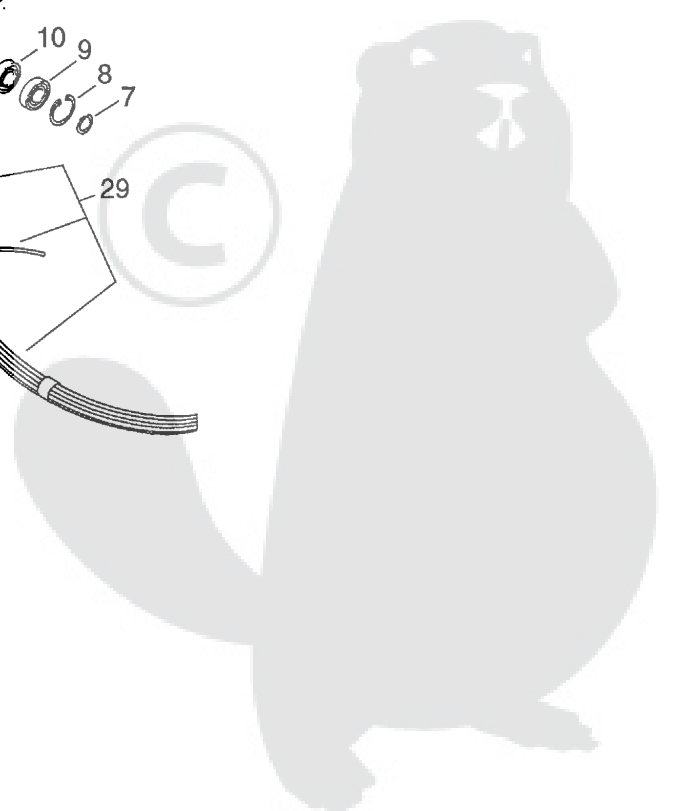
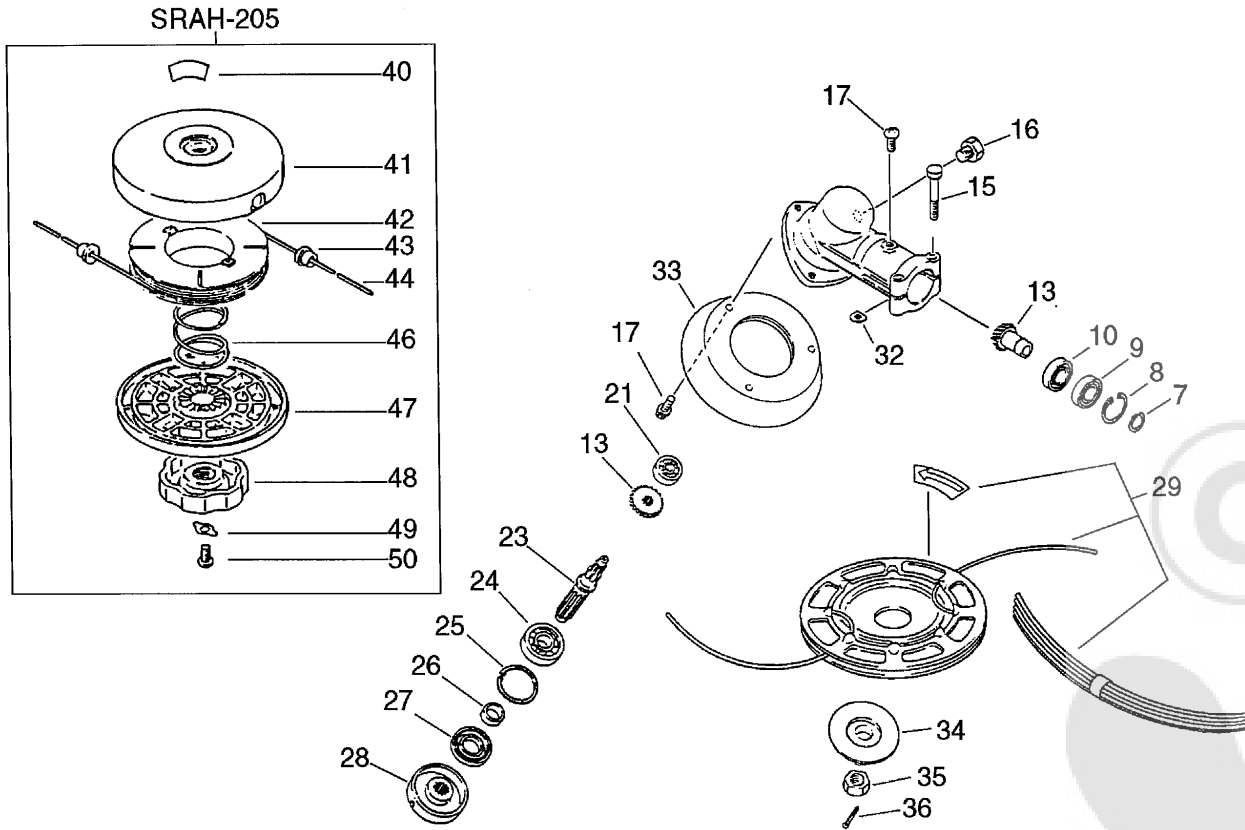
Group:Trimmers/Brushcutters Model:SRM-2300 Section:Loop Handle( 10)

Key	Lv	Part Number	Q'ty	Description	Remarks	Note
3		610280-46730	1	COLLAR	Sus. by 610281-46730	
3		610281-46730	1	COLLER		
4	+	900253-04025	2	SCREW 5425		
6		351201-08930	1	HANDLE ASY, LOOP		
7	+	900500-00005	2	NUT 5		
8	+	900600-00005	2	WASHER 5		
9	+	900220-05040	2	SCREW 5*40		
11		900100-05018	1	BOLT 5*18		
12		699012-03330	1	SPACER		
13		301207-08930	1	HOOK		
21		890177-46730	1	LABEL, CAUTION	Sus. by 890617-43130	
21		890617-63630	1	LABEL, CAUTION	Sus. by 890617-43130	
21		X505-000140	1	LABEL, CAUTION	Sus. by 890617-43130	
21		890617-43130	1	LABEL, CAUTION		
22		351102-29430	1	GRIP ASY, F-HANDLE		
23	+	900238-05025	1	SCREW 5*25		
24	+	900253-04018	3	SCREW TAPPING 4*18		
25	+	900500-00005	1	NUT 5		
26	+	301200-29430	1	BAND ASY		
27	++	900238-05012	1	SCREW 5*12		
28		163400-52130	1	SWITCH, IGNITION		
29		178010-42232	1	CONTROL, THROTTLE		
30		178043-42230	1	SPRING, THR. RETURN		
31		178012-42230	1	LOCKOUT, THROTTLE		
32		178013-42230	1	SPRING, THR. LOCKOUT		
35		890157-39130	1	LABEL, SWITCH	Diuse	
36		301000-55230	1	HARNESS ASY	Sus. by 301000-55231	
36		301000-55231	1	HARNESS ASY		





# No.11



**Parts List**

Date:13-9-2011 Page: 1

Group:Trimmers/Brushcutters Model:SRM-2300 Section:Gear Case(Loop Handle Type), Nylon Line Cutting Head( 11)

Key	Lv	Part Number	Q'ty	Description	Remarks	Note
7		900706-00010	1	CIRCLIP 10		
8		900702-00022	1	CIRCLIP 22		
9		900858-06900	1	BEARING, BALL 6900Z		
10		900855-06900	1	BEARING, BALL 6900		
13		610300-40830	1	GEAR SET		
15		900142-05028	2	BOLT 5*28 (W/W,SW)		
16		610434-50030	1	BOLT 8* 6	Sus. by 610434-50031	
16		610434-50031	1	BOLT 8* 8		
17		900242-05010	4	SCREW 5*10		
21		900810-00626	1	BEARING, BALL 626		
23		610310-40830	1	SHAFT, P.T.O.		
24		900800-06000	1	BEARING, BALL 6000		
25		900702-00026	1	CIRCLIP 26		
26		610315-22830	1	SPACER		
27		610413-22830	1	OILSEAL		
28		610313-44630	1	PLATE, ADAPTER	D. shaft Sr/Nr 017050 and before	
28		610313-22830	1	PLATE, ADAPTER	D. shaft Sr/Nr 017051 and after	
29		696200-55230	1	CUTTER ASY. LINE	Sus. by 990109-09040	
29		990109-09040	1	CUTTER BLACK		
32		610239-04130	2	WASHER, SHIM		
33		610443-22830	1	PLATE, GUARD (WH)		
34		610314-27230	1	PLATE, ADAPTER	D. shaft Sr/Nr 017051 and after	
35		900511-00010	1	NUT 10 (L-H)	D. shaft Sr/Nr 017051 and after	
36		900300-20022	1	PIN, SPLIT 2*22	D. shaft Sr/Nr 017051 and after	
40		890617-46730	1	LABEL, CAUTION		
41		696205-06033	1	DRUM, CORD REEL		
42		696214-06830	1	REEL, CORD		
43		696212-06032	2	EYELET		







## Parts List

Date:13-9-2011 Page: 1

Group:Trimmers/Brushcutters Model:SRM-2300 Section:Repair Kit( 12)

Key	Lv	Part Number	Q'ty	Description	Remarks	Note
		125303-42030	1	GASKET/DIAPHRAGM KIT	Sr/Nr 76667 and before	
5-3	+	125341-42030	1	DIAPHRAGM	Sr/Nr 76667 and before	
5-4	+	125340-42030	1	GASKET, DIAPHRAGM	Sr/Nr 76667 and before	
5-25	+	125312-12820	1	DIAPHRAGM, FUEL PUMP	Sr/Nr 76667 and before	
5-26	+	125325-13310	1	GASKET, PUMP	Sr/Nr 76667 and before	
		125300-42030	1	REBUILD KIT	Sr/Nr 76667 and before	
5-3	+	125341-42030	1	DIAPHRAGM	Sr/Nr 76667 and before	
5-4	+	125340-42030	1	GASKET, DIAPHRAGM	Sr/Nr 76667 and before	
5-6	+	125338-13930	1	PIN, METERING ARM	Sr/Nr 76667 and before	
5-7	+	125323-42030	1	LEVER, METERING	Sr/Nr 76667 and before	
5-8	+	125322-42030	1	SPRING, COIL	Sr/Nr 76667 and before	
5-9	+	125337-06960	1	VALVE, INLET NEEDLE	Sr/Nr 76667 and before	
5-11	+	125345-15130	1	PLUG, WELCH	Sr/Nr 76667 and before	
5-24	+	125326-42030	1	STRAINER	Sr/Nr 76667 and before	
5-25	+	125312-12820	1	DIAPHRAGM, FUEL PUMP	Sr/Nr 76667 and before	
5-26	+	125325-13310	1	GASKET, PUMP	Sr/Nr 76667 and before	
		125303-13310	1	DIAPHRAGM/GASKET KIT	Sr/Nr 76668 and after	
6-3	+	125341-49030	1	DIAPHRAGM	Sr/Nr 76668 and after	
6-4	+	125340-51030	1	GASKET, DIAPHRAGM	Sr/Nr 76668 and after	
6-13	+	125312-12820	1	DIAPHRAGM, FUEL PUMP	Sr/Nr 76668 and after	
6-14	+	125325-13310	1	GASKET, PUMP	Sr/Nr 76668 and after	
		125300-13310	1	REBUILD KIT	Sus. by P005-001810	
		P005-001810	1	REBUILD KIT	Sr/Nr 76668 and after	
6-3	+	125341-49030	1	DIAPHRAGM	Sr/Nr 76668 and after	
6-4	+	125340-51030	1	GASKET, DIAPHRAGM	Sr/Nr 76668 and after	
6-6	+	125338-13930	1	PIN, METERING ARM	Sr/Nr 76668 and after	
6-7	+	125323-42030	1	LEVER, METERING	Sr/Nr 76668 and after	
6-8	+	125322-42030	1	SPRING, COIL	Sus. by 125322-11520	