

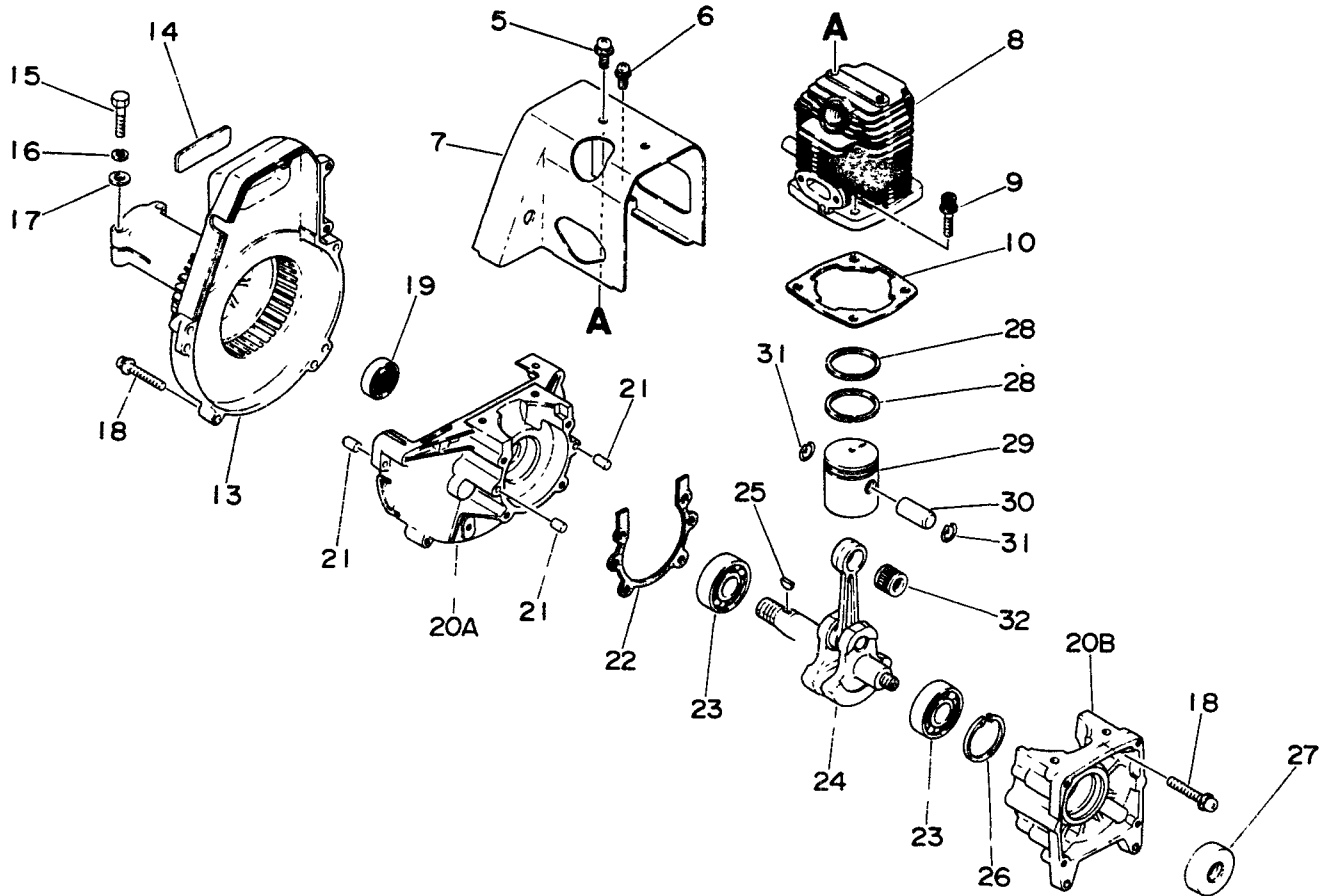


**BRUSH CUTTER
PARTS CATALOG
SRM-400AE**

**ECHO, INCORPORATED
400 OAKWOOD ROAD
LAKE ZURICH, IL 60047**

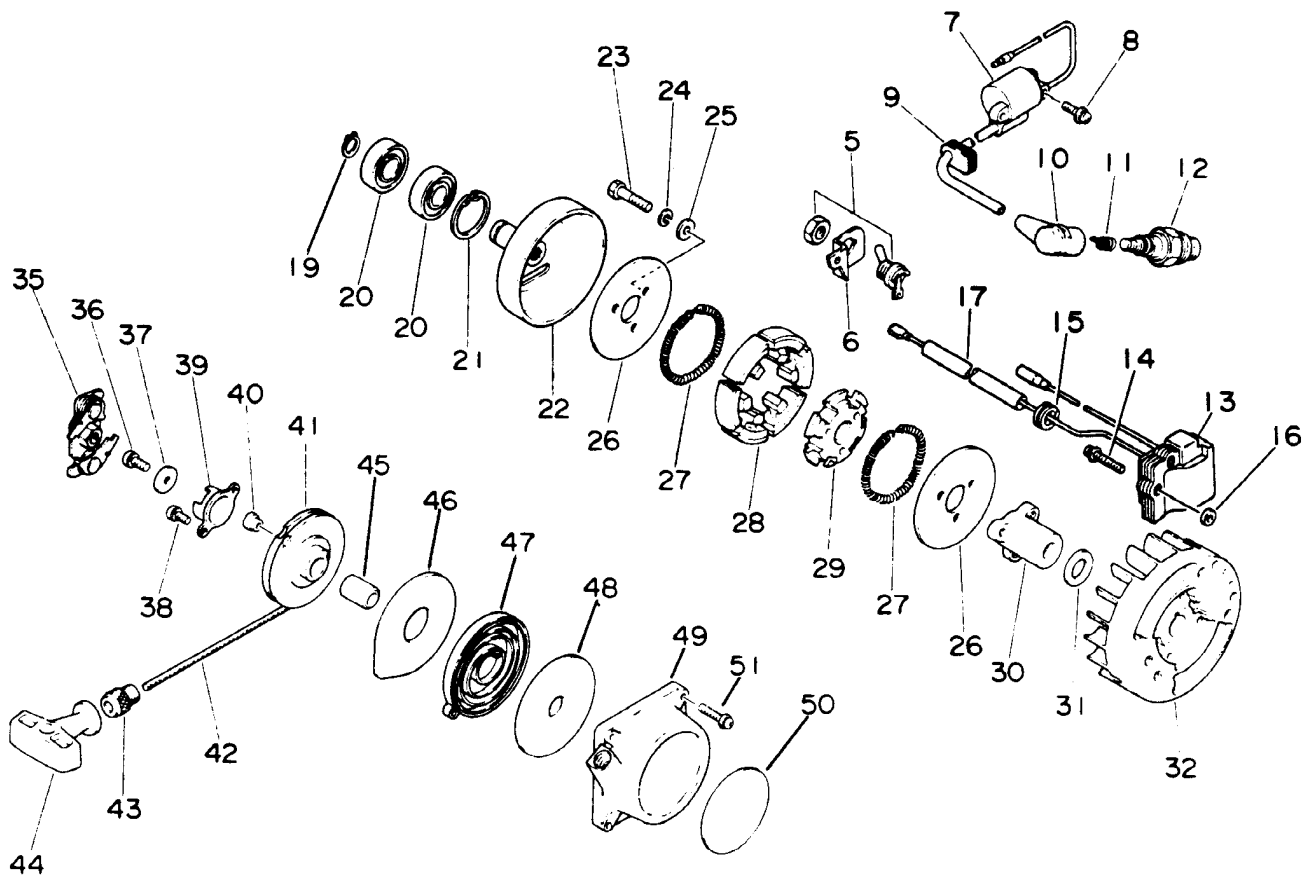
**898 56124534
01/85**

SRM-400AE 1



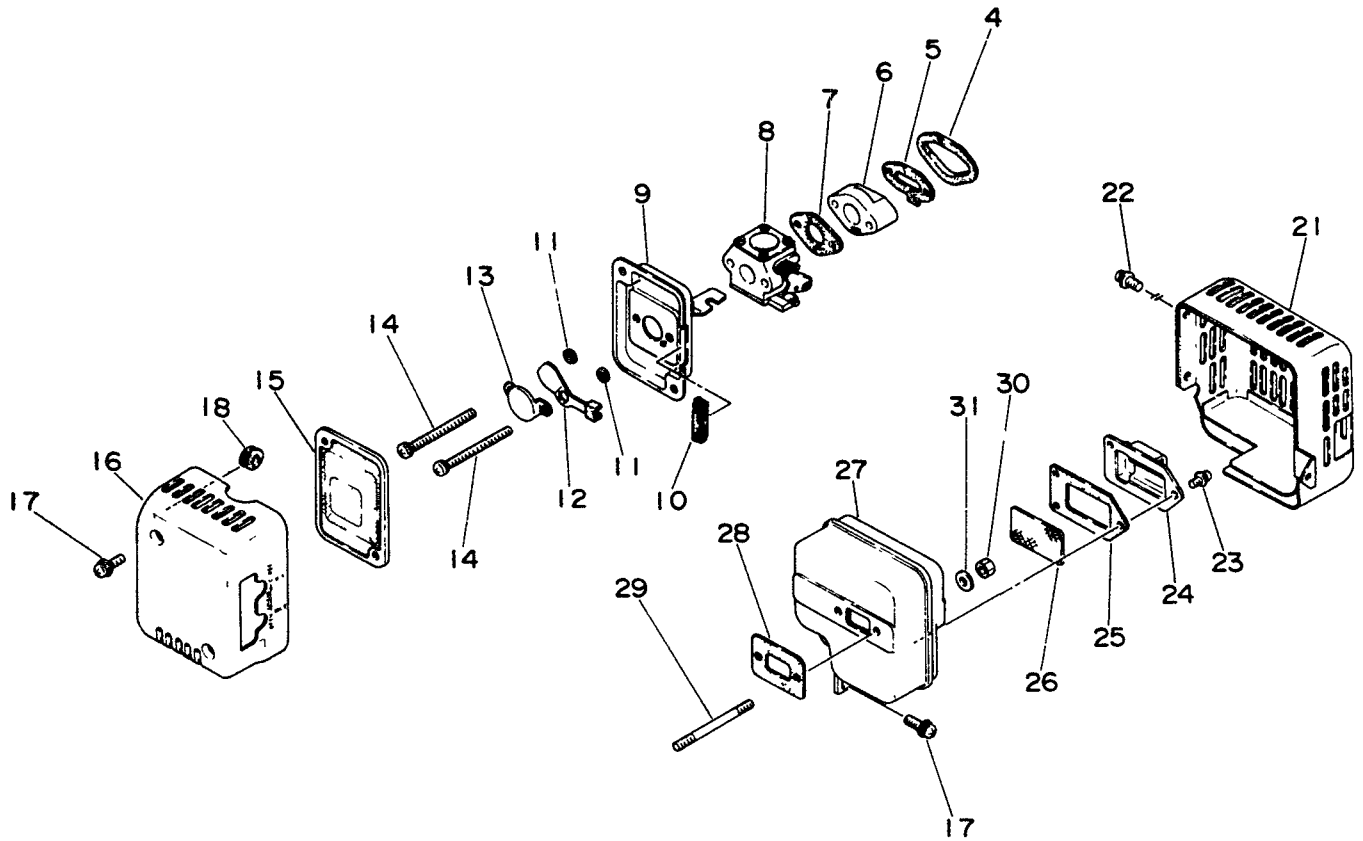
Key No.	Part Number	Q'ty	Description	Key No.	Part Number	Q'ty	Description
1- 5	900 242-0501 0	2	Screw 5x10	1-22	100 242-0672 0	1	Gasket, crankcase
6	900 242-04Q1 0	1	Screw 4x10	23	900 810-3620 2	2	Ball bearing 6202,'C3
7	101 514-2483 0	1	Cover, cylinder	24	100 100-2143 0	1	Crankshaft ass'y
8	101 011-2143 0	1	Cylinder	25	100 142-1233 0	1	Key
9	900 162-0502 0	4	H.S. bolt 5 x 20	26	900 702-0003 5	1	Circlip 35
10	101 010-2143 0	1	Gasket, cyl.	27	100 213-0283 0	1	Oilseal
13	101 511-2143 0	1	Fan cover	28	100 011-1053 0	2	Piston ring
14	890 112-2453 0	1	Decal 400AE	29	100 010-2143 0	1	Piston
15	900 100-0502 5	2	Bolt (5x25)	30	100 013-0041 0	1	Piston pin
16	900 605-0000 5	2	Spring washer 5	31	100 015-0012 0	2	Circlip, piston pin
17	900 600-0000 5	2	Washer 5	32	100 012-1233 0	1	Bearing, needle
18	900 242-0503 0	8	Screw 5x30				
19	100 213-0031 0	1	Oilseal				
20	100 200-2143 0	1	Crankcase set				
21	-100 215-0283 0	4	Pin, knock				

Remarks :
20 Includes 21



Key No.	Part Number	Q'ty	Description	Key No.	Part Number	Q'ty	Description
2- 5	163 400-0652 0	1	On-Off switch	2-31	100 132-2143 0	1	Washer
6	163 810-0672 0	1	Bracket, switch	32	156 800-2143 0	1	Flywheel
7	156 626-2143 0	1	Ignition coil	35	177 305-0672 0	1	Ratchet ass'y
8	900 242-0401 4	2	Screw 4x 14	**	177 200-0672 1	1	Starter ass'y
9	150 110-0913 0	1	Grommet	36	-900 241-0501 0	1	Screw 5x10
10	159 012-0343 3	1	Cap, spark plug	37	-177 214-0283 0	1	Washer
11	159 011-0343 2	1	Coil, spark plug	38	-900 241-0400 8	2	Screw 4x8
12	159 010-1063 0	1	Spark plug BPM-7A	39	-177 243-0413 0	1	Pawl catcher
13	156 601-2273 0	1	Module CDI	40	-177 246-0393 0	1	Clip, starter rope
14	900 242-0402 2	2	Screw 4x22	41	-177 215-0413 0	1	Recoil drum
15	150 114-0913 0	1	Grommet	42	-177 226-0393 0	1	Starter rope
16	150 117-0913 0	2	Washer	43	-177 227-0533 0	1	Rope guide
17	156 611-2483 0	1	Tube	44	-177 228-1113 0	1	Starter grip
19	900 701-0001 5	1	Circlip 15	45	-177 216-1233 0	1	Bush
20	900 819-0620 2	2	Ball bearing 6202	46	-177 242-0672 1	1	Side plate
21	900 702-0003 5	1	Circlip 35	47	-177 220-0393 0	1	Rewind spring
22	175 005-2143 0	1	Drum, clutch	48	-177 221-0672 0	1	Side plate
23	900 100-0502 5	3	Bolt 5x25	49	-177 209-0672 1	1	Starter case
24	900 605-0000 5	3	Spring washer 5	50	890 012-1113 2	1	Decal, ECHO
25	900 600-0000 5	3	Washer 5	51	900 242-0402 0	1	Screw 4x20
26	175 019-2143 0	2	Side plate				
*	175 000-2143 0	1	Clutch ass'y				
27	-175 018-0333 0	2	Clutch spring				
28	-175 009-0423 0	6	Clutch shoe				
29	-175 016-2143 0	1	Boss, clutch				
30	-175 056-2143 0	1	Adapter				

Remarks:
 * Consists of 27 thru 30
 ** Consiste of 36 thru 49

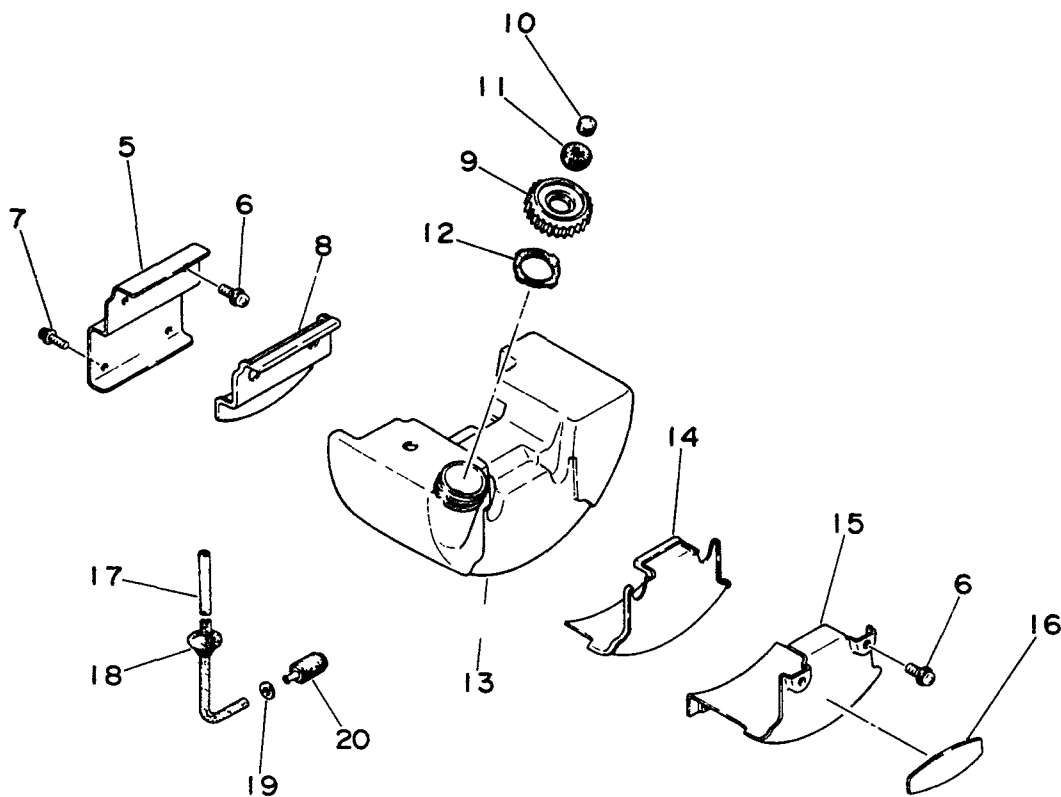


Key No.	Part Number	Q'ty	Description	Key No.	Part Number	Q'ty	Description
3- 4	130 012-2483 0	1	Grommet	3- *	145 803-2453 1	1	Muffler kit
5	130 010-0672 0	1	Gasket	17	-900 242-0501 4	1	Screw 5x14
6	130 017-0672 1	1	Insulator	21	-145 621-2483 1	1	Cover, muffler
7	130 016-0463 0	1	Gasket, carburetor	22	-900 242-0501 0	2	Screw 5x10
8	123 000-2483 0	1	Carburetor WA-142	23	-900 242-0400 8	3	Screw 4x8
9	130 301-2483 0	1	Case, air cleaner	24	-145 809-2273 0	1	Holder, screen
10	-178 810-2163 0	1	Grommet	25	-145 866-0672 0	1	Gasket, muffler lid
11	178 516-0083 0	2	Spacer	26	-145 862-0672 0	1	Screen
12	178 515-2483 0	1	Shutter, choke	27	-145 806-2453 0	1	Muffler
13	129 011-0463 0	1	Plate	28	-145 510-2483 0	1	Gasket, muffler
14	900 241-0506 0	2	Screw 5x60	29	101 014-0493 0	2	Stud, muffler
15	130 310-2483 0	1	Filter, air	30	433 020-0083 0	2	Lock nut 5
16	130 308-2483 0	1	Cover, air cleaner	31	900 603-0000 5	2	Washer 5
17	900 242-0501 4	2	Screw 5x14				
18	150 112-0031 0	1	Grommet				

Remarks:

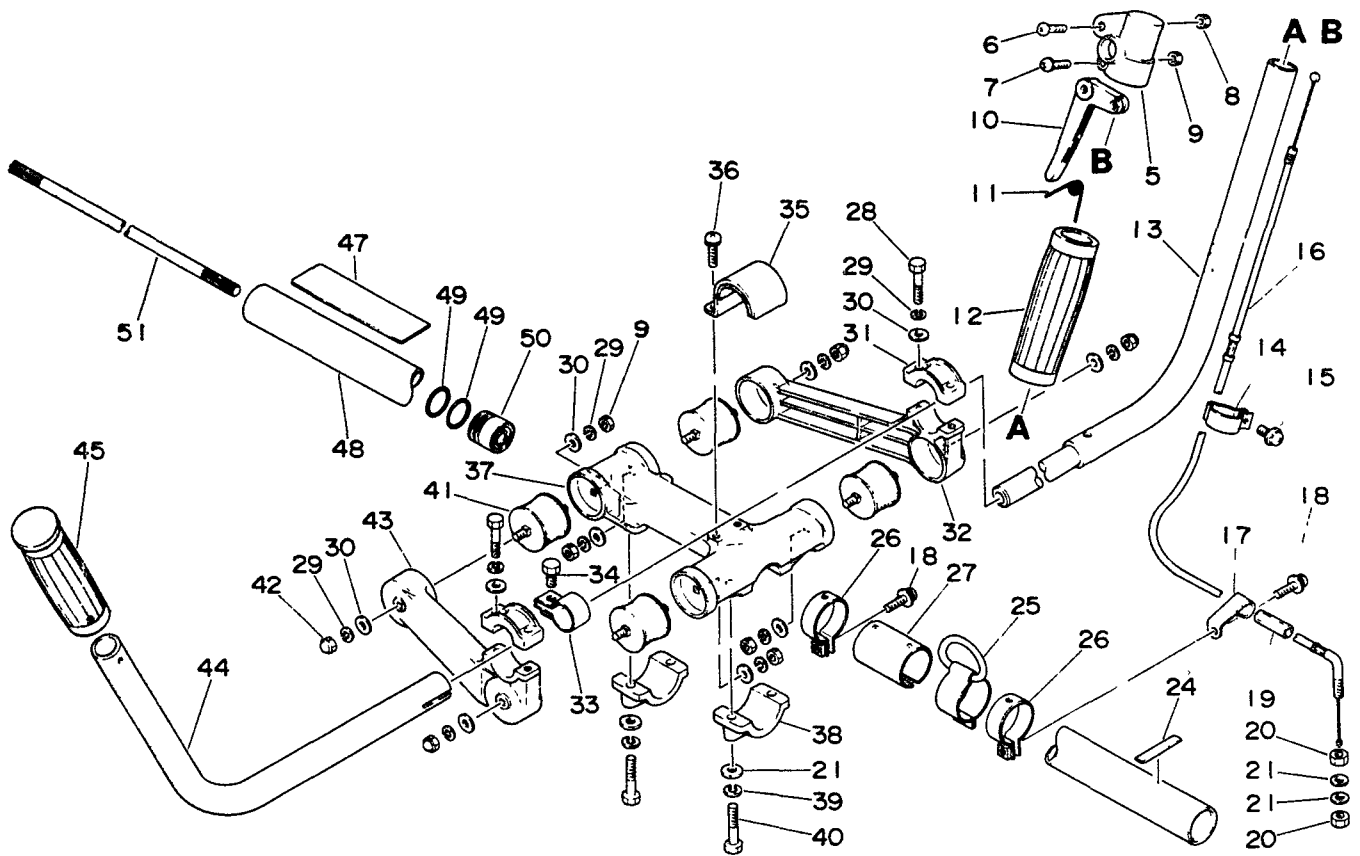
9 Includes 10

* Consists of 17, 21 thru 28



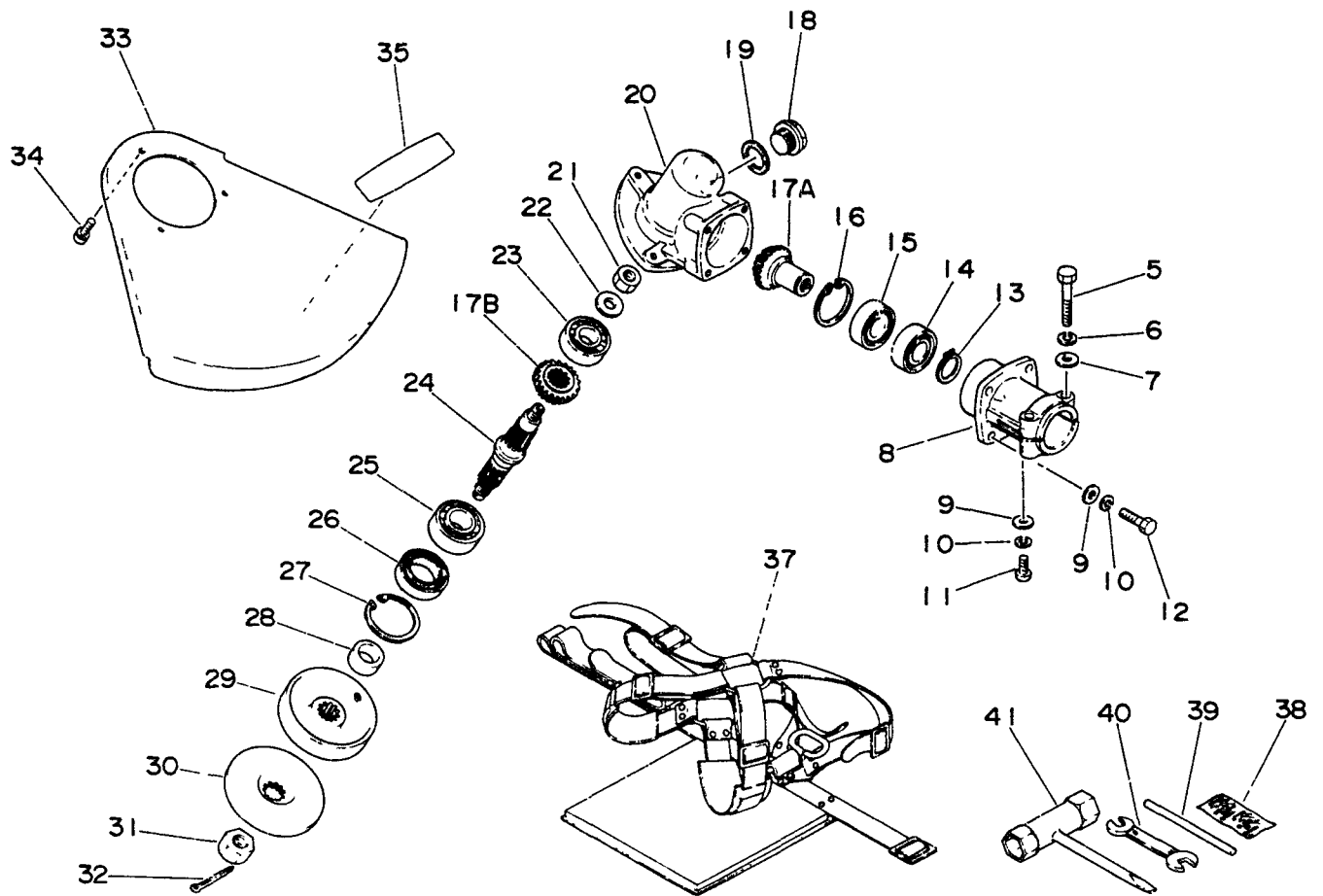
Key No.	Part Number	Q'ty	Description	Key No.	Part Number	Q'ty	Description
4- 5	131 910-2483 0	1	Bracket, f. tank	4-15	131 918-2483 0	1	Bracket, f. tank
6	900 242-0501 4	4	Screw 5x14	16	890 118-2403 0	1	Decal, ECHO
7	900 242-0401 4	2	Screw 4x14	17	132 010-2483 0	1	Pipe, fuel
8	131 920-2483 0	1	Cushion	18	132 115-0492 0	1	Grommet
9	131 004-0632 0	1	Cap ass'y, f. tnk	19	900 603-0000 5	1	Washer 5
10	-131 315-0502 0	1	Filter	20	131 200-2133 0	1	Strainer, fuel
11	-131 314-0632 0	1	Check valve				
12	-131 016-0492 0	1	Gasket, cap				
13	131 010-2483 1	1	Fuel tank				
14	131 924-2483 0	1	Cushion				

Remarks:
 9 Includes 10 thru 12
 17 includes 18



Key No.	Part Number	Q'ty	Description	Key No.	Part Number	Q'ty	Description
5- 5	178 024-0613 0	1	Bracket, throttle	5-29	-900 605-0000 5	12	Spring washer 5
6	178 110-0533 0	1	Screw	30	-900 600-0000 5	12	Washer 5
7	900 220-0502 5	1	Screw 5 x 25	31	-352 015-0533 0	2	Retainer
8	433 020-0083 0	1	Lock nut 5	32	-352 014-0533 0	1	Arm, retainer (R)
9	900 500-0000 5	1	Nut 5	35	-352 090-0533 0	1	Plate
10	178 010-0533 0	1	Throttle lever	36	-900 241-0501 4	2	Screw 5x14
11	178 043-0523 0	1	Spring, thr. return	37	-352 010-0533 0	1	Holder, d.s. housing
12	351 315-0423 0	1	Grip, handle	38	-352 018-0533 0	2	Holder
13	351 110-0813 0	1	Handle	39	-900 605-0000 6	4	Spring washer 6
14	178 106-0623 0	1	Band	40	-900 100-0603 0	4	Bolt 6x30
15	900 242-0501 2	2	Screw 5x12	41	-352 019-0533 0	4	Cushion
16	178 002-0913 1	1	Cable, throttle	42	-300 323-0313 0	4	Nut, cap 5
17	178 111-0623 0	1	Clip	43	-352 013-0533 0	1	Arm. handle (L)
19	178 016-0533 0	1	Tube	33	351 642-0813 0	1	Band
20	900 502-0000 6	2	Nut 6	34	900 100-0601 2	1	Bolt 6 x 12
21	900 600-0000 6	2	Washer 6	44	351 610-0813 0	1	Handle
24	890 152-0493 0	1	Decal, guide	45	351 311-0233 0	1	Grip, handle
*	301 200-0623 0	1	Hanger ass'y	47	890 160-2033 0	1	Decal, caution
18	-900 242-0501 4	2	Screw 5x14	48	610 206-0423 1	1	Housing ass'y, d. sft
25-27			Hanger	49	-610 112-0423 0	10	O-ring
**	352 000-0423 0	1	V.L. Unit	50	-610 105-0423 0	5	Bush
9	-900 500-0000 5	4	Nut 5	51	610 011-0623 0	1	Shaft, drive
21	-900 600-0000 6	4	Washer 6				
28	-900 100-0502 5	4	Bolt 5x25				

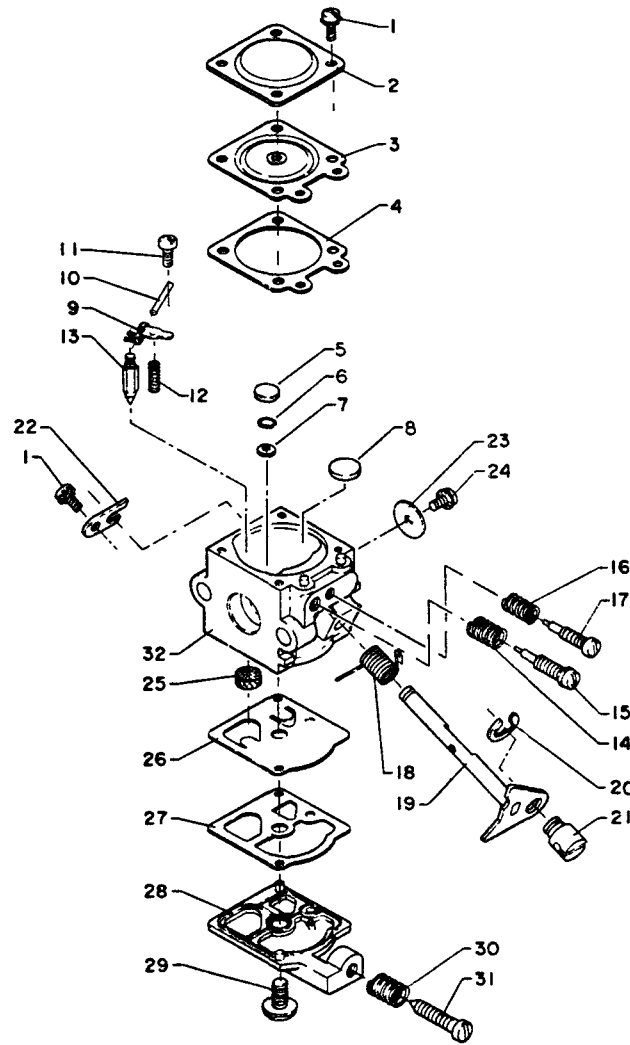
Remarks: * Consists of 18, 25 thru 27
 ** Consist of 9, 21 and 28 thru 43 except 33 and 34
 48 Includes 49 and 50



Key No.	Part Number	Q'ty	Description	Key No.	Part Number	Q'ty	Description
6-*	610 400-2273 0	1	Housing ass'y, gear	6-24	-610 310-2273 0	1	Shaft,
5	-900 100-0603 5	2	Bolt 6x35	25	-900 810-0620 2	1	Ball bearing 6202
6	-900 605-0000 6	2	Spring washer 6	26	-610 413-0623 0	1	Oil seal
7	-900 600-0000 6	2	Washer 6	27	-900 702-0003 5	1	Circlip 35
8	-610 412-0623 0	1	Bearing holder	28	-610 334-0623 0	1	Spacer
9	-900 600-0000 5	5	Washer 5	29	-610 313-0623 0	1	Plate, blade fixing
10	-900 605-0000 5	5	Spring washer 5	30	-610 314-0623 1	1	Plate, blade fixing
11	-900 220-0501 2	1	Screw 5x12	31	-900 511-0001 0	1	Nut 10 L.H
12	-900 100-0502 0	4	Bolt 5x20	32	-900 300-2002 2	1	Split pin 2x22
13	-900 701-0001 5	1	Circlip 15	33	699 010-0623 0	1	Shield
14	-900 801-0600 2	1	Ball bearing 6002D	34	900 241-0501 4	3	Screw 5x14
15	-900 800-0600 2	1	Ball bearing 6002	35	890 138-2403 0	1	Decal, ECHO
16	-900 702-0003 2	1	Circlip 32	37	301 000-2453 0	1	Harness ass'y
17	-610 300-2273 0	1	Gear set	38	898 502-0113 0	1	Split pin 10 pcs.
18	-610 510-0193 0	1	Inject plug	39	897 518-0113 1	1	Fitting tool
19	-610 511-0123 0	1	Gasket, plug	40	895 112-0033 0	1	Spanner 8x10
20	-610 410-0623 1	1	Housing, gear	41	895 410-0793 0	1	Box wrench
21	-900 502 0000 8	1	Nut 8	Option	695 001-2143 0	1	Circular saw
22	-900 600-0000 8	1	Washer 8		696 001-2143 0	1	8-cutter blade
23	-900 810-0620 1	1	Ball bearing 6201				

Remarks:

* Consists of 5 thru 32



Key No.	Part Number	Q'ty	Description	Key No.	Part Number	Q'ty	Description
7- *	123 000-2483 0	1	Carburetor WA -142	7-20	-123 127-1063 0	1	Retaining, spring
1	-123 144-0393 0	5	Screw	21	-123 172-0432 0	1	Swivel
2	-123 142-0393 0	1	Cover, m. diaphragm	22	-123 127-0393 0	1	Clip, throttle shaft
3	-123 141-0393 0	1	Diaphragm, metering	23	-123 116-1053 0	1	Valve, throttle
4	-123 140-0653 0	1	Gasket, m. diaphragm	24	-123 114-0393 0	1	Screw, thrt valve
5	-123 145-1633 0	1	Plug, welch	25	-123 126-1063 1	1	Screen, inlet
6	-123 169-1063 0	1	Ring, retaining	26	-123 112-1503 0	1	Pump diaphragm
7	-123 168-1063 1	1	Screen	27	-123 125-1503 0	1	Gasket, pump
8	-123 146-1063 0	1	Plug, welch	28	-123 124-2443 0	1	Cover, fuel pump
9	-123 123-0393 0	1	Lever, metering	29	-123 110-0393 0	1	Screw, pump cover
10	-123 138-0393 0	1	Pin, metering lever	30	-123 133-0632 0	1	Spring, idle adjust
11	-123 139-0393 0	1	Screw, m. lever pin	31	-123 134-0632 0	1	Screw, idle adjust
12	-123 122-1113 0	1	Spring, meter. lever	32	-Unavailable	1	Body ass'y
13	-123 137-0393 0	1	Valve, inlet needle				
14	-123 119-0393 0	1	Spring, Needle				
15	-123 120-0076 0	1	Needle, high speed	Remarks: * Consists of 1 thru 32			
16	-123 121-0393 0	1	Spring, needle				
17	-123 118-2443 0	1	Needle, idle				
18	-123 113-0393 0	1	Spring, thrt. return				
19	-123 117-0502 0	1	Shaft, throttle				