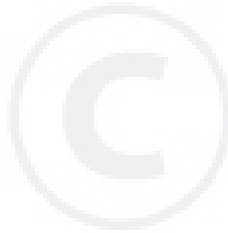




# **PARTS CATALOG**

## **CLEARING SAW**

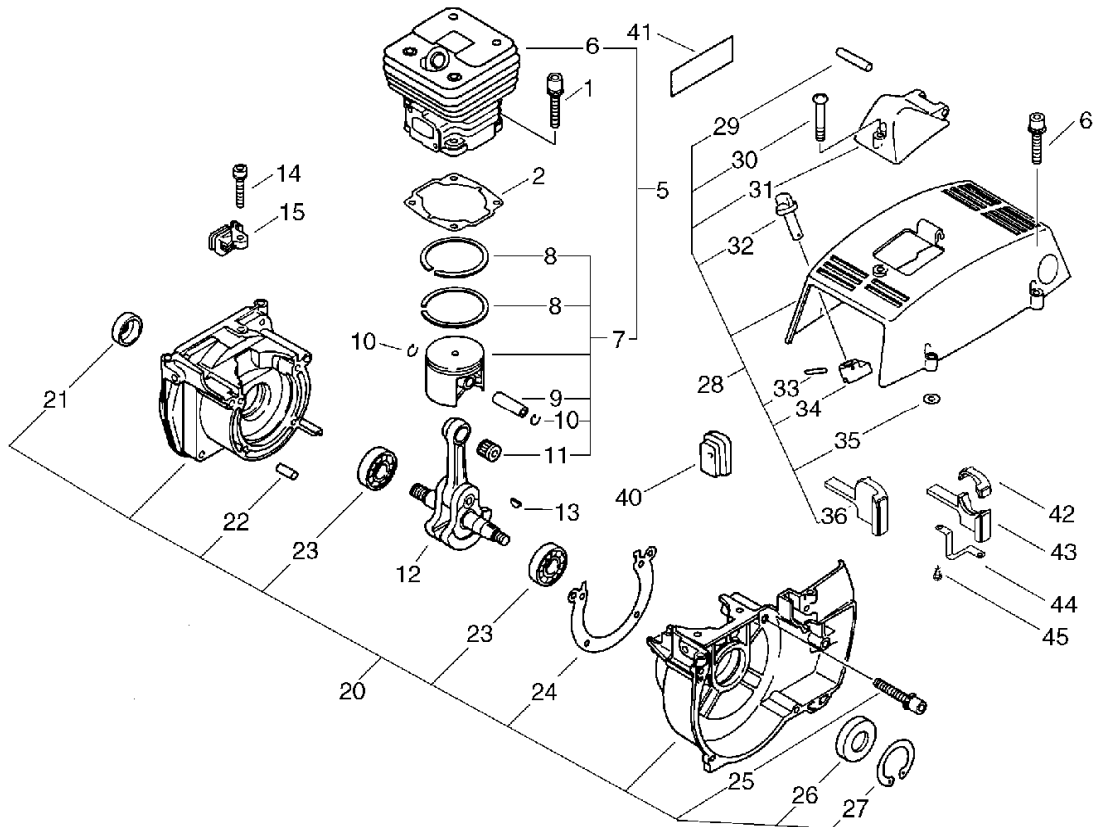
**CLS-5800\_5810(6digits)(36)**



- 36004787

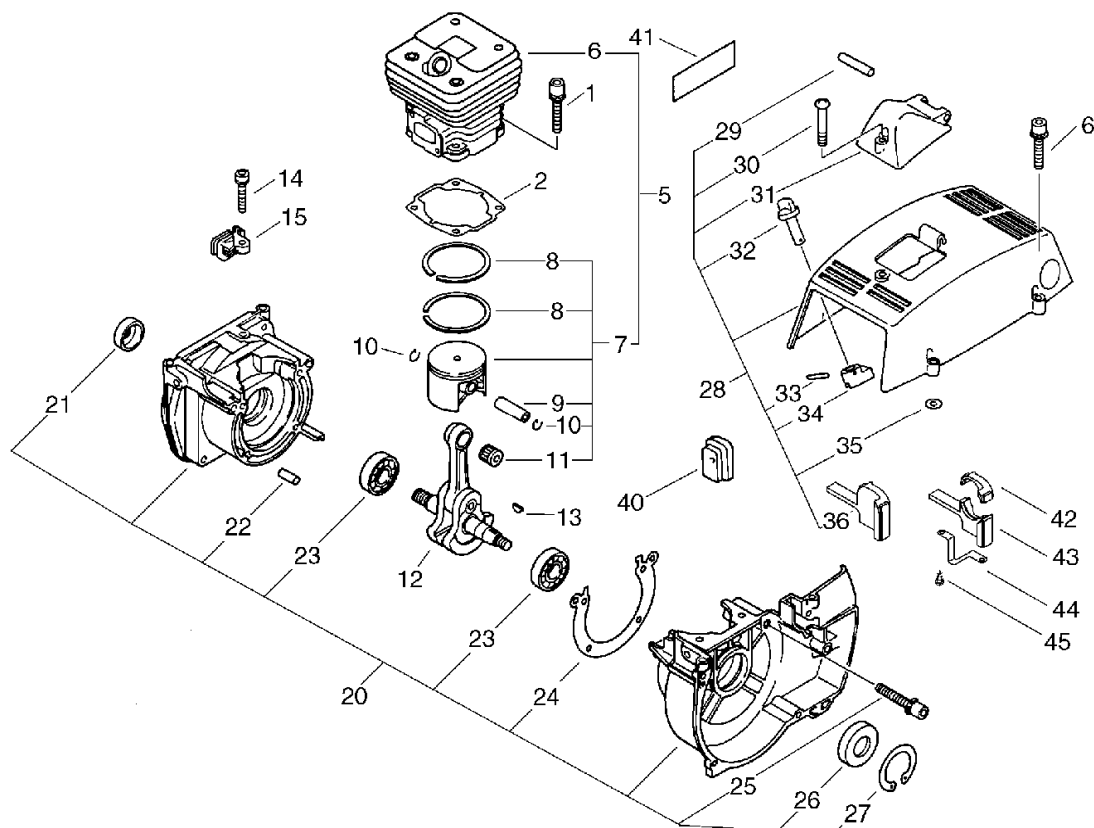
CLS-5800\_5810(6digits)(36)

# 1. Cylinder, Crankcase, Piston



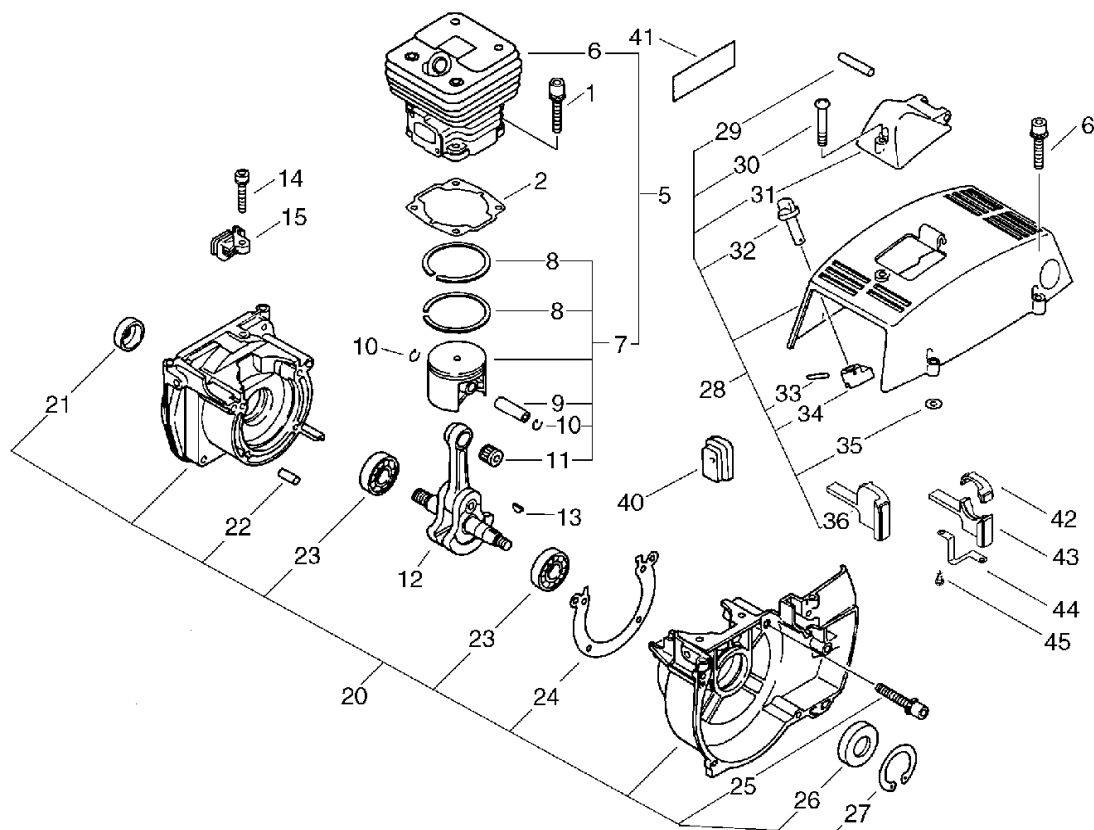
KEY	LV	PART NUMBER	Q'TY	DESCRIPTION	REMARKS	NOTE1	NOTE2
1		900162-05022	4	BOLT, H.S. 5*22	5*22 W,SW	Sus. by 91118-05022	
2		101010-54430	1	GASKET, CYL. BASE			
5		P021-009180	1	CYLINDER,PISTON KIT			
6		101011-54430	1	CYLINDER		Sus. by P021-009180	
6		101011-54431	1	CYLINDER		Sus. by P021-009180	
6	+	A130-000590	1	CYLINDER			
7		100000-54430	1	PISTON KIT		Sus. by P021-007300	
7	+	P021-007300	1	PISTON KIT			
8	++	100011-32330	2	RING, PISTON			
9	++	100013-54430	1	PIN, PISTON			
10	++	100015-00120	2	CIRCLIP, PISTON PIN			
11	+	100012-12330	1	BEARING, NEEDLE		Sus. by 100012-12331	
11	++	100012-12331	1	BEARING, NEEDLE			
12		100100-54430	1	CRANKSHAFT ASSY		Sus. by 100100-54432	
12		100100-54432	1	CRANKSHAFT			
13		900323-03014	1	KEY WOODRUFF	3*14		
14		900105-05016	1	BOLT, H.S. 5*16	5*16		
15		178112-54430	1	HOLDER,THROTTLE WIRE		Sus. by 178112-54432	

# 1. Cylinder, Crankcase, Piston



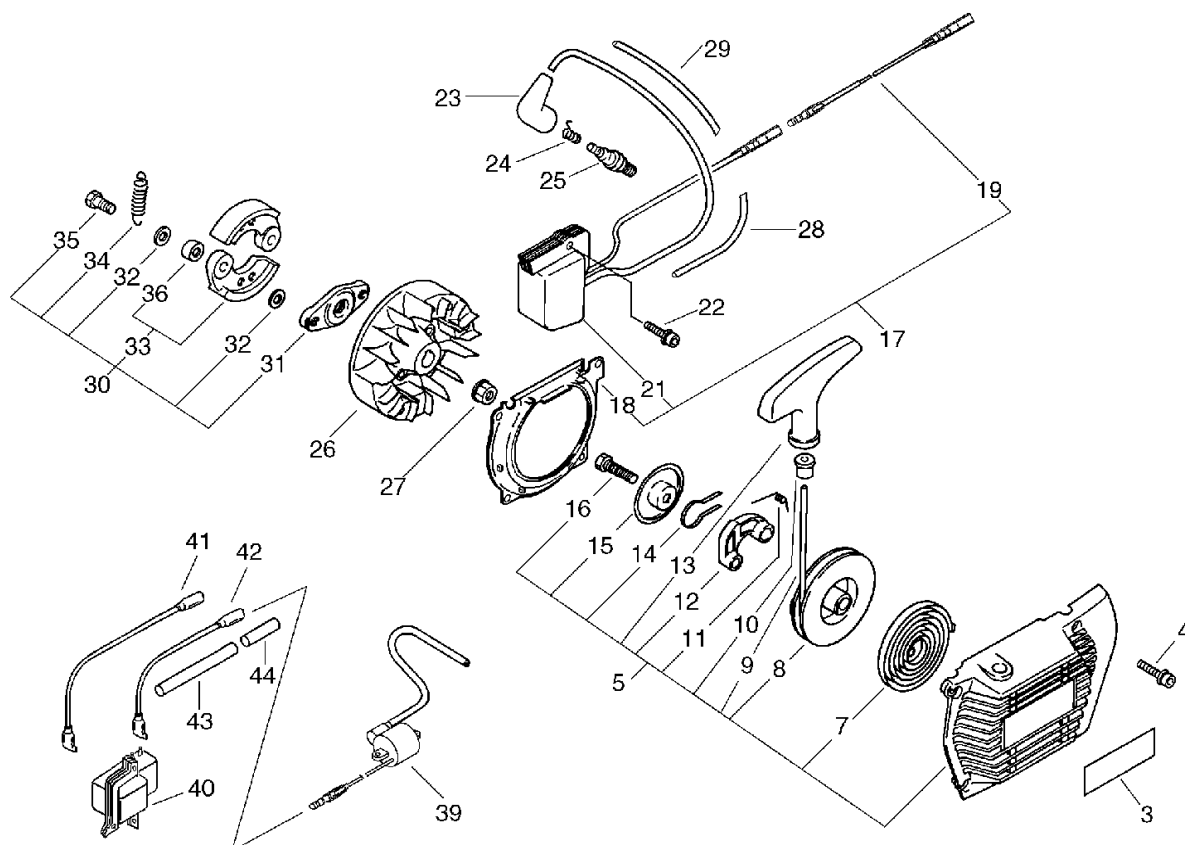
KEY	LV	PART NUMBER	Q'TY	DESCRIPTION	REMARKS	NOTE1	NOTE2
15		178112-54431	1	HOLDER,THROTTLE WIRE		Sus. by 178112-54432	
15		178112-54432	1	HOLDER,THROTTLE WIRE			
20		100204-54430	1	CRANKCASE KIT		Sus. by 100204-54431	
20		100204-54431	1	CRANKCASE KIT			
21	+	100212-19830	1	OILSEAL	ISM 15*25*6		
22	+	100215-03930	2	PIN, DOWEL			
23	+	900810-36202	2	BEARING, BALL 6202	6202/C3		
24	+	100242-54430	1	GASKET, CRANKCASE			
25	+	900162-05035	4	BOLT, H.S. 5*35	5*35 W,SW		
26	+	100213-02830	1	OILSEAL	ISMX15,35,6		
27	+	900702-00035	1	CIRCLIP 35	CR-35		
28		101501-54530	1	COVER, CYLINDER		Sus. by 101501-54532	
28		101501-54531	1	COVER, CYLINDER		Sus. by 101501-54532	
28		101501-54532	1	COVER, CYLINDER		Sr/Nr 007469 and before	
28		P021-007440	1	COVER, CYLINDER		Sus. by P021-007442	
28		P021-007442	1	COVER, CYLINDER		Sr/Nr 36001001 and after	
29	+	900330-40298	1	PIN 4*29.8	4*29.8		
30	+	163890-38330	1	BOLT, 5			
31	+	159015-54430	1	COVER, PLUG CAP			

# 1. Cylinder, Crankcase, Piston



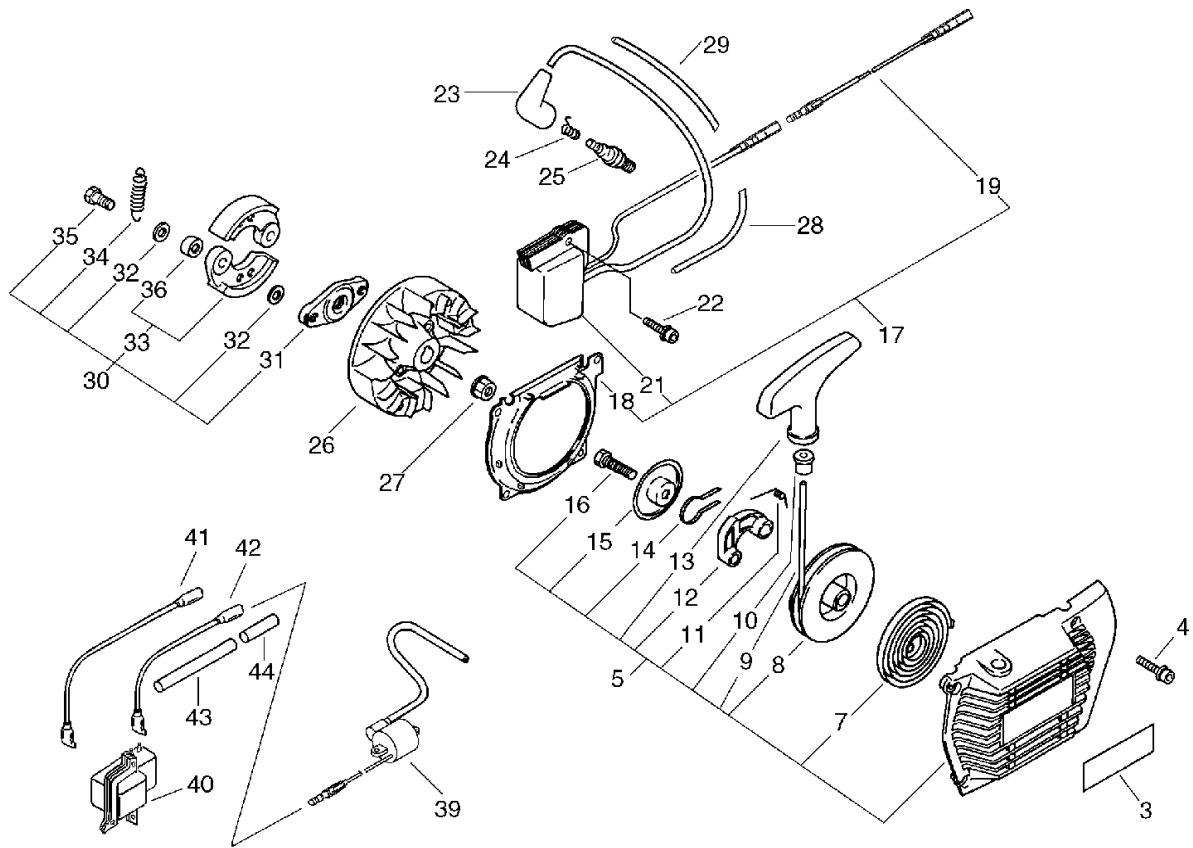
KEY	LV	PART NUMBER	Q'TY	DESCRIPTION	REMARKS	NOTE1	NOTE2
32	+	178510-54430	1	ROD, CHOKE			
33	+	900342-20010	1	PIN, SPRING 2*10	2*10		
34	+	178522-54430	1	END, LEVER			
35	+	900600-00005	1	WASHER 5	5	Can be used on the 101501-54532 only	
36	+	V162-000200	1	PLUG		Can be used on the 101501-54532 only	
40		178215-54430	1	GROMMET		Sus. by 178215-54431	
40		178215-54431	1	GROMMET			
41		890112-54430	1	LABEL, MODEL		Sus. by X547-001120	
42		V541-000110	1	SEAL		Sr/Nr 36001001 and after	
43		V541-000120	1	SEAL		Sr/Nr 36001001 and after	
44		V152-001420	1	PLATE,ANGLE		Sr/Nr 36001001 and after	
45		900253-04016	2	SCREW 4*16	4*16	Sr/Nr 36001001 and after	

## 2. Starter, Magneto, Clutch



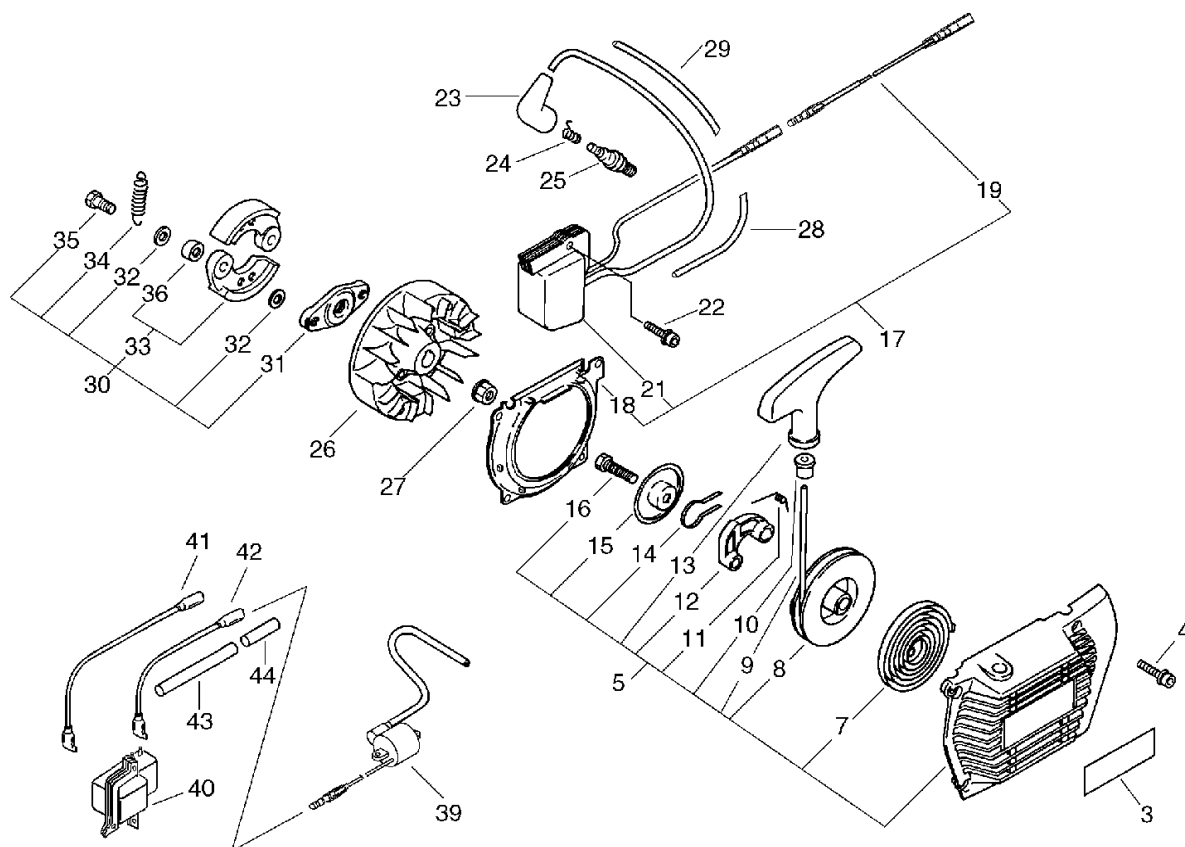
KEY	LV	PART NUMBER	Q'TY	DESCRIPTION	REMARKS	NOTE1	NOTE2
3		890118-54430	1	LABEL, ECHO		Sus. by X502-000640	
4		900162-05022	4	BOLT, H.S. 5*22	5*22 W,SW	Sus. by 91118-05022	
5		177200-54430	1	STARTER ASSY		Sus. by 177200-54432	
5		177200-54431	1	STARTER ASY		Sus. by 177200-54432	
5		177200-54432	1	STARTER ASSEMBLY			
7	+	177220-00220	1	SPRING, REWIND			
8	+	177215-06230	1	DRUM, STARTER			
9	+	177226-06230	1	ROPE, STARTER			
10	+	177227-05530	1	GUIDE, ROPE			
11	+	177234-54430	1	SPRING, RETURN			
12	+	177218-54430	1	PAWL, STARTER			
13	+	177228-11120	1	GRIP, STARTER			
14	+	177233-54430	1	SPRING, FRICTION			
15	+	177211-06230	1	PLATE, FRICTION			
16	+	900100-06012	1	BOLT 6*12	6*12		
21		156626-54430	1	COIL, IGNITION		Sus. by P021-002590	
17		P021-002590	1	IGNITION/F.COVER KIT		Sr/Nr 007469 and before	
18	+	101511-54430	1	COVER, FAN		Sus. by 101511-54431	
18	+	101511-54431	1	COVER, FAN			

## 2. Starter, Magneto, Clutch



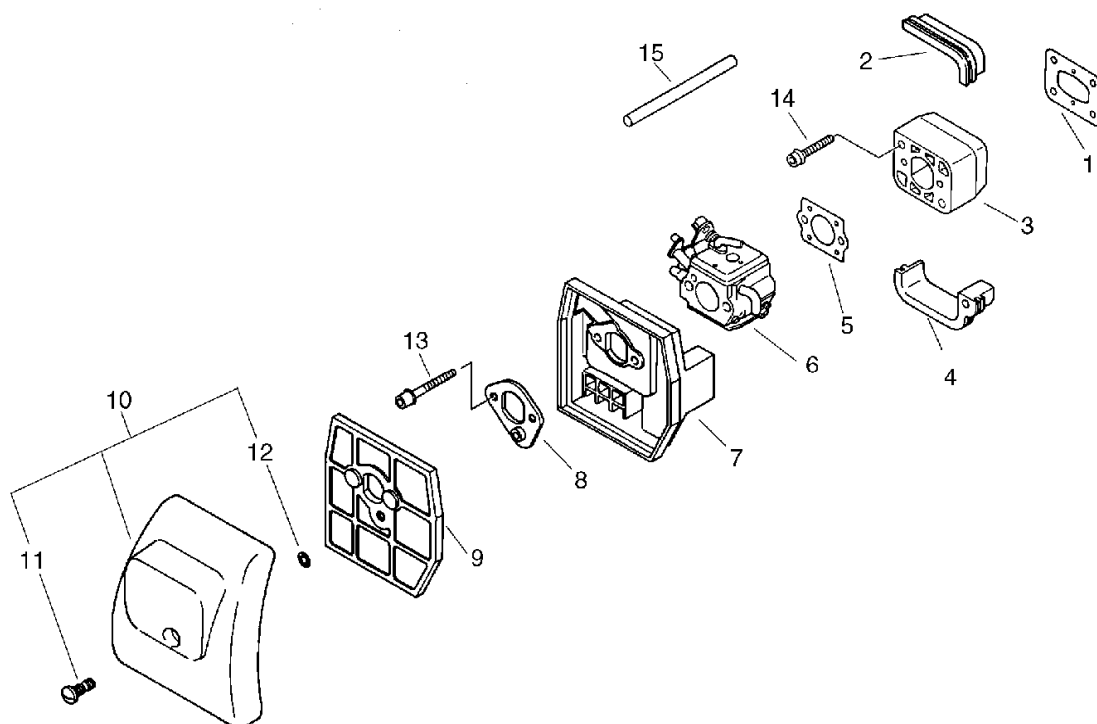
KEY	LV	PART NUMBER	Q'TY	DESCRIPTION	REMARKS	NOTE1	NOTE2
19	+	V485-000160	1	LEAD	L;640		
21	+	A411-000060	1	COIL,IGNITION		Sr/Nr 007469 and before	
20		900162-05022	2	BOLT, H.S. 5*22	5*22 W,SW		
23		159012-01620	1	CAP, SPARK PLUG			
24		159011-03432	1	COIL, SPARK PLUG			
25		159010-10230	1	PLUG, SPARK (BPMR-7A	BPMR-7A	Sr/Nr 007469 and before	
25		A425-000000	1	SPARKPLUG	BPMR8Y	Sr/Nr 36001001 and after	
26		156801-54430	1	FLYWHEEL		Sr/Nr 007469 and before	
26		A409-000220	1	ROTOR,MAGNETO		Sus. by A409-000221	
26		A409-000221	1	ROTOR,MAGNETO	ID#9483	Sr/Nr 36001001 and after	
27		900517-00010	1	NUT	10		
28		156111-54431	1	TUBE	7*8.6*75	Sus. by V475-001610	
28		V475-001610	1	TUBE	7*8.6*55 HST-10		
29		150623-16130	1	TUBE			
30		175000-54430	1	CLUTCH ASSY		Sus. by 175000-54431	
30		175000-54431	1	CLUTCH ASSY			
31	+	175016-54430	1	HUB, CLUTCH			

## 2. Starter, Magneto, Clutch



KEY	LV	PART NUMBER	Q'TY	DESCRIPTION	REMARKS	NOTE1	NOTE2
32	+	175014-11231	4	WASHER, CLUTCH			
33	+	175009-54430	2	SHOE, CLUTCH			
36	++	175030-54430	2	METAL			
34	+	175018-54430	2	SPRING, CLUTCH		Sr/Nr 003372 and before	
34	+	175018-54430	1	SPRING, CLUTCH		Sr/Nr 003373 and after	
35	+	175046-54430	2	SHAFT, CLUTCH			
39		A411-000190	1	COIL,IGNITION		Sus. by A411-000191	
39		A411-000191	1	COIL,IGNITION	ID#C9478	Sr/Nr 36001001 and after	
40		A410-000000	1	COIL,EXCITER		Sr/Nr 36001001 and after	
41		162010-04561	1	LEAD, GROUND	210L	Sr/Nr 36001001 and after	
42		V485-000510	1	LEAD		Sr/Nr 36001001 and after	
43		V475-003570	1	TUBE	6*7*90	Sr/Nr 36001001 and after	
44		178016-47430	1	TUBE	6*7*20 BL	Sr/Nr 36001001 and after	

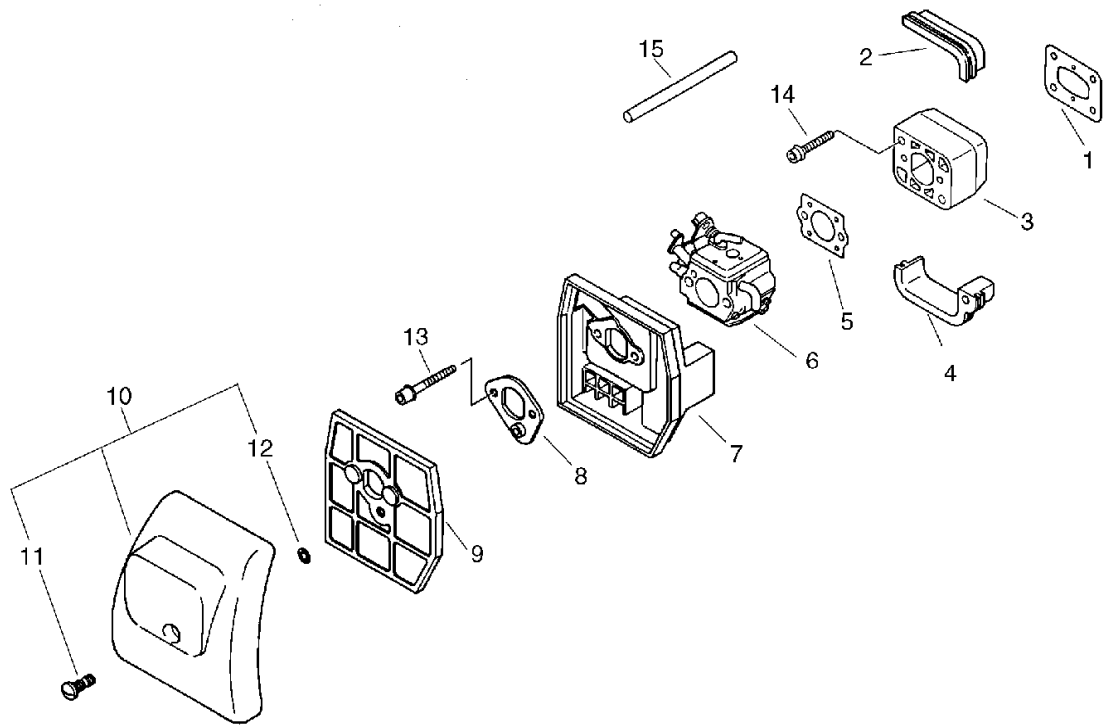
### 3. Air Cleaner



KEY	LV	PART NUMBER	Q'TY	DESCRIPTION	REMARKS	NOTE1	NOTE2
1		130010-54430	1	GASKET, INTAKE			
2		130038-54430	1	SEAL		Sr/Nr 007242 and before	
3		130007-54430	1	INSULATOR			
4		130012-54430	1	SEAL			
5		130016-54430	1	GASKET, INTAKE			
6		125200-54430	1	CARBURETOR ASSY	C3M-K33	Sus. by 125200-54434	
6		125200-54431	1	CARBURETOR ASSY	C3M-K33B	Sus. by 125200-54434	
6		125200-54432	1	CARBURETOR	C3M-K33C	Sus. by 125200-54434	
6		125200-54433	1	CARBURETOR	C3M-K33D	Sus. by 125200-54434	
6		125200-54434	1	CARBURETOR	C3M-K33D	Sr/Nr 007469 and before	
6		A021-000950	1	CARBURETOR,DIAPHRAGM	C3M-K80	Sus. by A021-000951	
6		A021-000951	1	CARBURETOR,DIAPHRAGM	C3M-K80	Sr/Nr 36001001 and after	
7		130314-54430	1	CASE, CLEANER			
8		130420-54430	1	BRACKET, AIR CLEANER			
9		130310-54430	1	FILTER, AIR		Dry and dusty condition	
9		130310-54530	1	FILTER, AIR		Rainy and snowy condition	

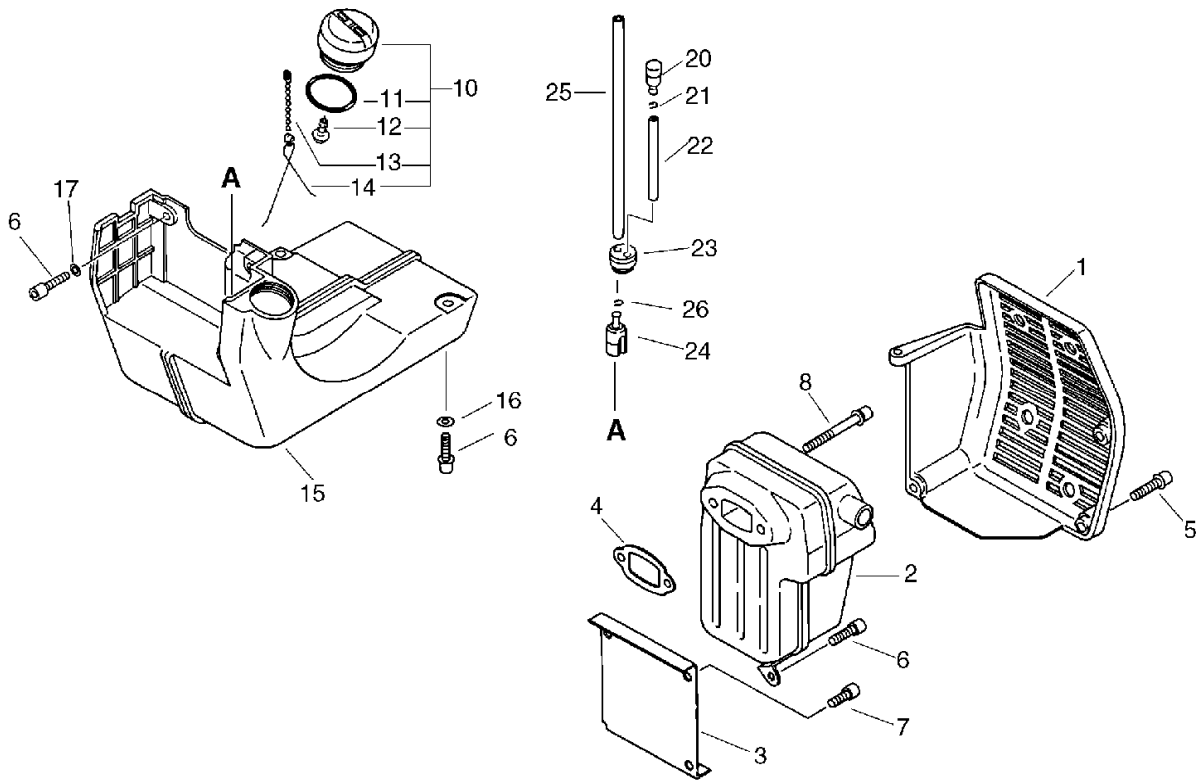


3. Air Cleaner



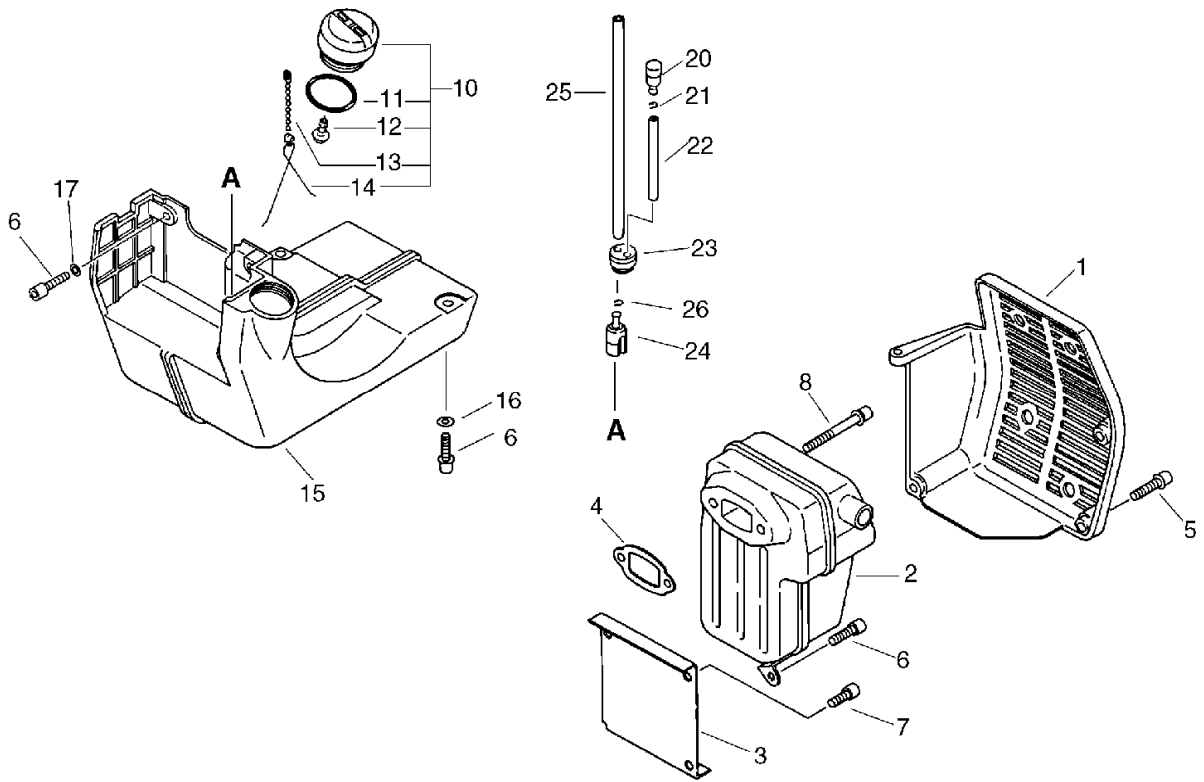
KEY	LV	PART NUMBER	Q'TY	DESCRIPTION	REMARKS	NOTE1	NOTE2
10		130302-54430	1	COVER ASSY, AIR CLN.		Sus. by 130302-54431	
10		130302-54431	1	COVER ASY, A.CLEANER			
11	+	130415-40630	1	SCREW			
12	+	900720-00004	1	O-RING (P-4)	P-4		
13		900105-05055	2	BOLT, H.S. 5*55	5*55		
14		900162-05030	2	BOLT, H.S. 5*30	5*30 W,SW		
15		130110-54430	1	PIPE, IMPULSE	3*6*105 NBR		

### 4. Muffler, Fuel Tank



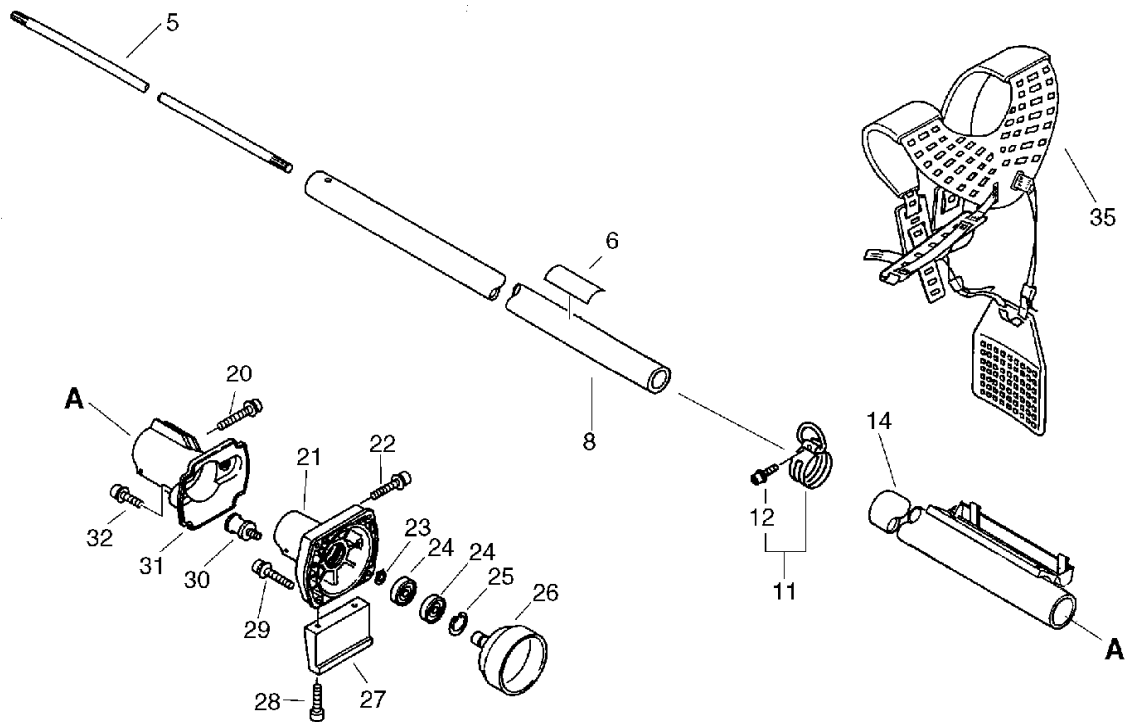
KEY	LV	PART NUMBER	Q'TY	DESCRIPTION	REMARKS	NOTE1	NOTE2
1		145906-54430	1	COVER, MUFFLER		Sus. by 145906-54431	
1		145906-54431	1	COVER, MUFFLER			
2		145610-54430	1	MUFFLER		Sr/Nr 007469 and before	
2		P021-008640	1	MUFFLER, EXHAUST		Sr/Nr 36001001 and after	
3		145910-54430	1	INSULATOR, MUFFLER			
4		145510-54430	1	GASKET, MUFFLER			
5		900162-05022	3	BOLT, H.S. 5*22	5*22 W,SW	Sus. by 900162-05018	
5		900162-05018	3	BOLT, H.S. 5*18	5*18 W,SW	Sus. by 91118-05018	
6		900105-05016	7	BOLT, H.S. 5*16	5*16	Qty 7->1 Sus. by 91119-05016 x 6	
7		900105-05010	2	BOLT, H.S. 5*10	5*10		
8		900162-05075	2	BOLT, H.S. 5*75	5*75 W,SW		
10		131004-16431	1	CAP ASSY, FUEL TANK		Sus. by 131004-16432	
10		131004-16432	1	CAP ASY, FUEL			
11	+	900720-00032	1	O-RING 32	P-32		
12	+	900246-03008	1	SCREW 3*8	3*8		
13	+	131023-14730	1	CHAIN, BALL			
14	+	131042-14730	1	SPRING, CLOSS			
15		131005-54430	1	TANK, FUEL			

### 4. Muffler, Fuel Tank



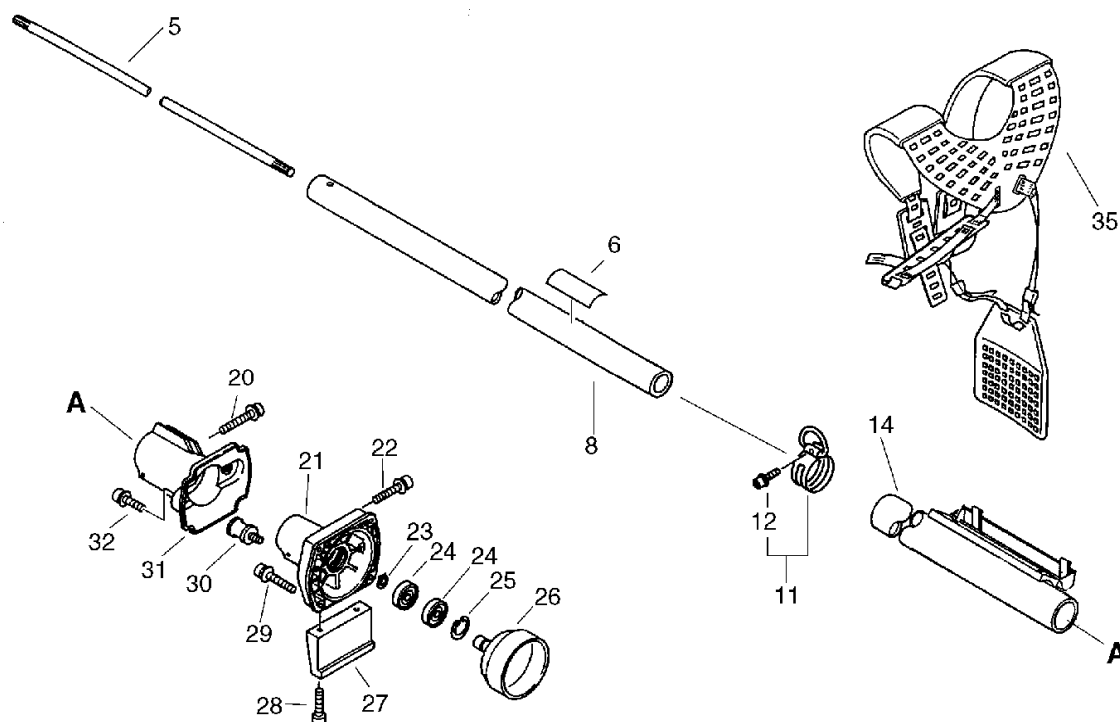
KEY	LV	PART NUMBER	Q'TY	DESCRIPTION	REMARKS	NOTE1	NOTE2
16		130031-10230	2	WASHER			
17		900600-00005	4	WASHER 5	5		
20		131300-40630	1	VALVE, CHECK		Sus. by 131300-56430	
20		131300-56430	1	VALVE, CHECK			
21		132013-09820	1	CLIP	6MM		
22		132010-02960	1	PIPE, FUEL	3*6*30		
23		132115-44330	1	GROMMET			
24		131205-19830	1	STRAINER, FUEL		Sus. by 131205-19831	
25		132010-54430	1	PIPE	3*6*140 NBR		
26		132013-26630	1	CLIP	6.5MM		

5. Pipe, Harness



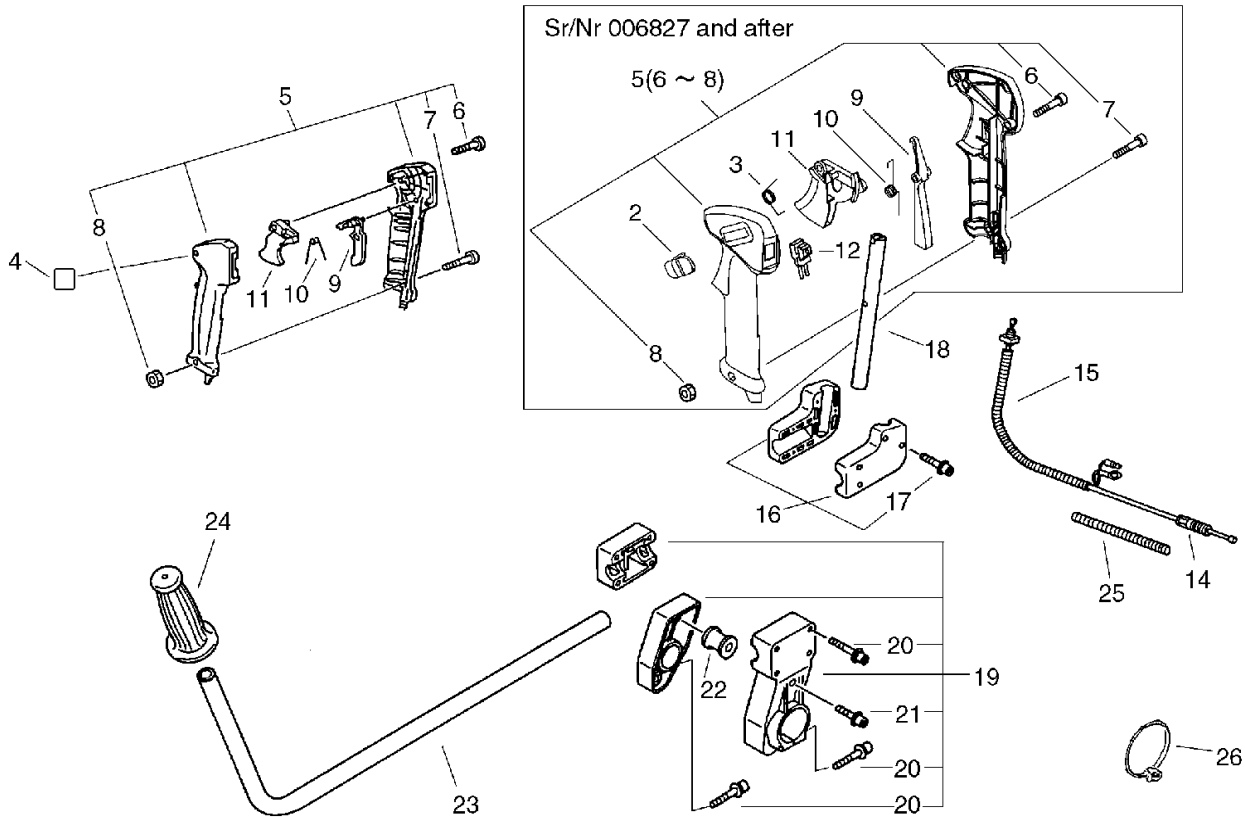
KEY	LV	PART NUMBER	Q'TY	DESCRIPTION	REMARKS	NOTE1	NOTE2
5		610011-47530	1	SHAFT, DRIVE		CLS-5800	
5		610011-51530	1	SHAFT, DRIVE		CLS-5810	
6		890617-46831	1	LABEL, CAUTION		Sus. by 890617-43130	
6		890617-46830	1	LABEL, CAUTION		Sus. by 890617-43130	
6		890617-43130	1	LABEL,CAUTION			
8		610206-47530	1	HOUSING ASSY, D.SHFT		Sus. by 610206-47531	
8		610206-47531	1	HOUSING ASSY, D.SHFT		CLS-5800 Sus. by C050-000600	
8		610206-51530	1	HOUSING ASSY, D.SHFT		Sus. by 610206-51531	
8		610206-51531	1	HOUSING ASSY, D.SHFT		CLS-5810 Sus. by C050-000610	
11		301205-47530	1	HOOK		Sus. by 301205-47531	
11		301205-47531	1	HOOK		Sus. by P021-012710	
12	+	900162-05020	1	BOLT, H.S. 5*20	5*20 W,SW	Sus. by 91118-05020	
14		610603-54530	1	PIPE W/CABLE GUIDE		CLS-5800	
14		610603-54430	1	PIPE W/CABLE GUIDE		CLS-5810	

### 5. Pipe, Harness



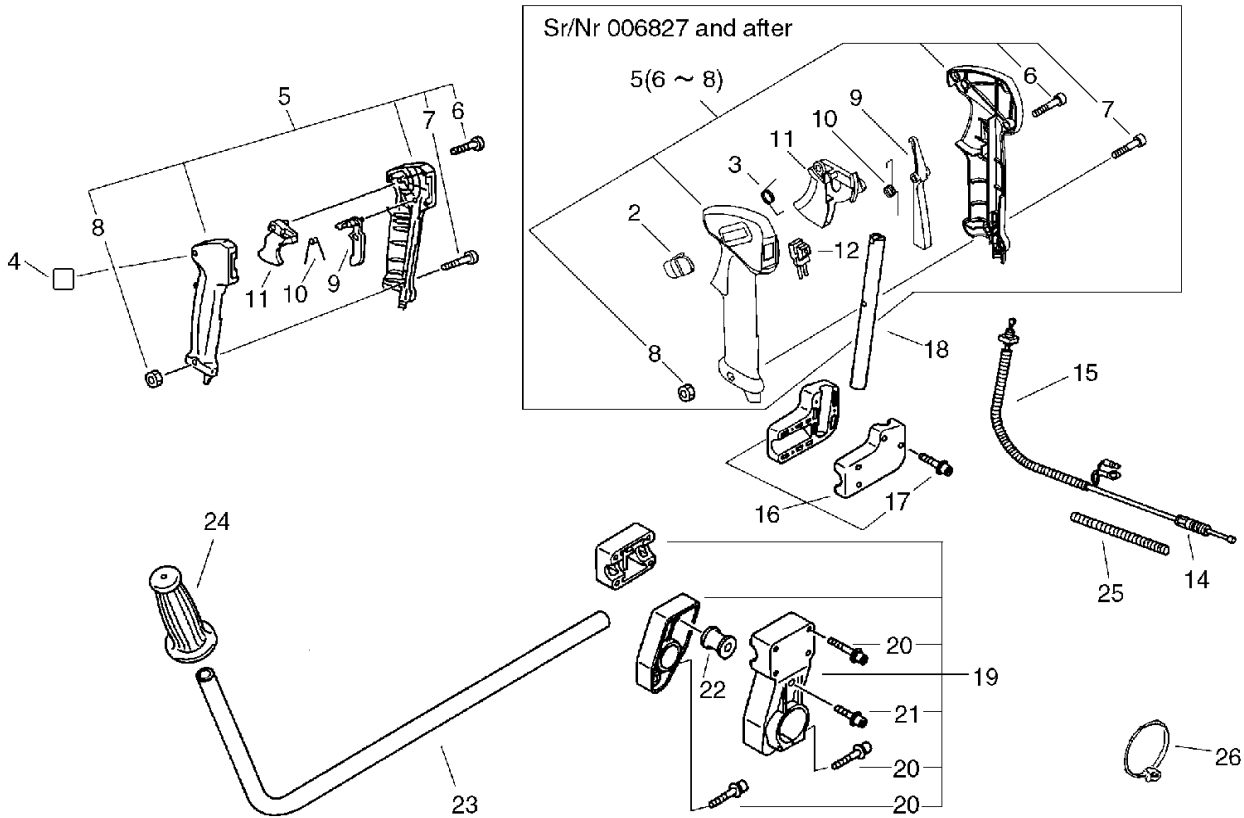
KEY	LV	PART NUMBER	Q'TY	DESCRIPTION	REMARKS	NOTE1	NOTE2
20		900162-05035	1	BOLT, H.S. 5*35	5*35 W,SW	Sus. by 91118-05035	
21		610223-54430	1	FLANGE, D.S. HOUSING			
22		900162-05030	2	BOLT, H.S. 5*30	5*30 W,SW	Sus. by 91118-05030	
23		900701-00015	1	CIRCLIP 15	CS-15		
24		900819-06202	2	BEARING, BALL 6202	6202VV(LLB)		
25		900702-00035	1	CIRCLIP 35	CR-35		
26		175005-54430	1	DRUM, CLUTCH			
27		305110-54430	1	STAND			
28		900162-05020	2	BOLT, H.S. 5*20	5*20 W,SW	Sus. by 91118-05020	
29		900162-05025	4	BOLT, H.S. 5*25	5*25 W,SW	Sus. by 91118-05025	
30		100905-14731	2	CUSHION		Sr/Nr 003372 and before	
30		100905-51530	2	CUSHION		Sr/Nr 003373 and after	
31		610922-54430	1	HOLDER			
32		900162-05014	2	BOLT, H.S. 5*14	5*14 W,SW	Sus. by 91118-05014	
35		301000-51530	1	HARNESS, SHOULDER			

6. Handle



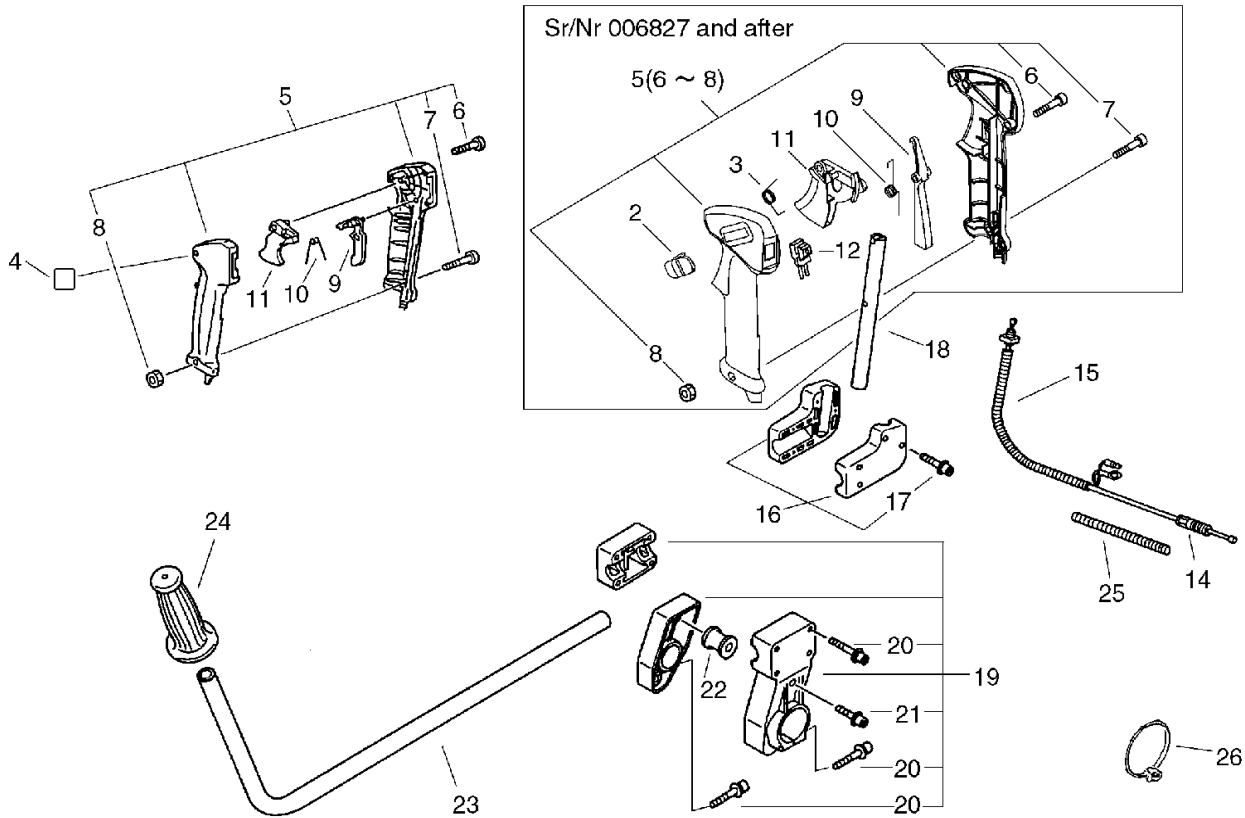
KEY	LV	PART NUMBER	Q'TY	DESCRIPTION	REMARKS	NOTE1	NOTE2
2		C463-000000	1	NOB,LATCH		Sr/Nr 006827 and after	
3		V452-000060	1	SPRING,TORSION		Sr/Nr 006827 and after	
4		890157-39130	1	LABEL, SWITCH		Sr/Nr 006826 and before	
5		351102-47530	1	GRIP ASSY, F-HANDLE		Sr/Nr 006826 and before	
5		P021-002611	1	GRIP ASY,F-HANDLE		Sus. by P021-002612	
5		P021-002612	1	GRIP ASY,F-HANDLE		Sr/Nr 006827 and after	
6	+	900246-03025	4	SCREW 3*25	3*25	Can be used on 351102-47530 only	
6	+	900253-04016	3	SCREW 4*16	4*16	Can be used on P021-002611,002612	
7	+	900220-05030	1	SCREW 5*30	5*30		
8	+	900500-00005	1	NUT 5	5		
9		178012-05960	1	LOCKOUT, THROTTLE		Sr/Nr 006826 and before	
9		C460-000011	1	LOCKOUT,THROTTLE		Sr/Nr 006827 and after	
10		178013-35631	1	SPRING, THR. LOCK		Sr/Nr 006826 and before	

6. Handle



KEY	LV	PART NUMBER	Q'TY	DESCRIPTION	REMARKS	NOTE1	NOTE2
10		V452-000130	1	SPRING,TORSION		Sr/Nr 006827 and after	
11		178010-05960	1	CONTROL, THROTTLE		Sr/Nr 006826 and before	
11		C450-000022	1	TRIGGER,THROTTLE		Sr/Nr 006827 and after	
12		163401-54530	1	SWITCH, IGNITION			
14		178001-54530	1	WIRE, THROTTLE		Sus. by 178001-54531	
14		178001-54531	1	WIRE, THROTTLE		Sr/Nr 006826 and before	
14		V430-000910	1	CABLE,BOWDEN	CLS-5800	Sr/Nr 006827 and after	Sus. by V430-002030
15		178127-54530	1	TUBE 7*10*130	7*10*130		
16		351302-47530	1	BRACKET, HANDLE		Sus. by P021-012730	
17	+	900162-05025	4	BOLT, H.S. 5*25	5*25 W,SW	Sus. by 91118-05025	
18		351210-47530	1	HANDLE, REAR			
19		351301-47530	1	BRACKET, HANDLE		Sus. by 351301-47533	
19		351301-47531	1	BRACKET, HANDLE		Sus. by 351301-47533	

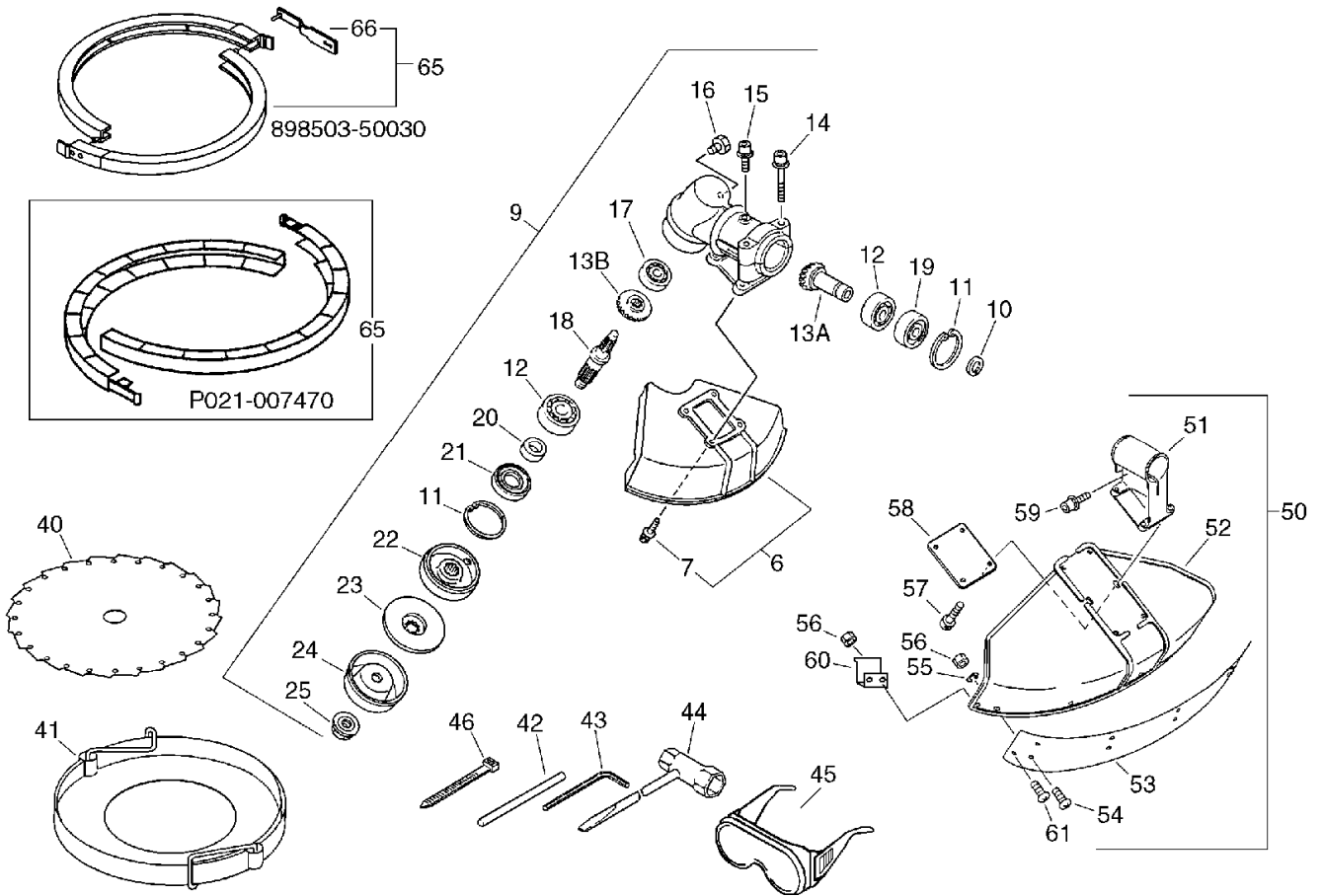
6. Handle



KEY	LV	PART NUMBER	Q'TY	DESCRIPTION	REMARKS	NOTE1	NOTE2
19		351301-47532	1	BRACKET ASY, HANDLE		Sus. by 351301-47533	
19		351301-47533	1	BRACKET ASY, HANDLE		Sus. by P021-012690	
20	+	900162-05035	6	BOLT, H.S. 5*35	5*35 W,SW	Sus. by 91118-05035	
21	+	900162-05014	2	BOLT, H.S. 5*14	5*14 W,SW	Sus. by 91118-05014	
22		100905-14731	2	CUSHION		Sr/Nr 003372 and before	
22		100905-51530	2	CUSHION		Sr/Nr 003373 and after	
23		351110-47530	1	HANDLE, FRONT		CLS-5800	
23		351110-54430	1	HANDLE, FRONT		CLS-5810	
24		351213-47530	1	GRIP		Sus. by 351213-47531	
24		351213-47531	1	GRIP, HANDLE			
25		178127-54430	1	TUBE	7*470	Sr/Nr 006992 and before	
25		V475-002930	1	TUBE	7*450	Sr/Nr 006993 and after	
26		V495-000000	2	BAND	CV-200		

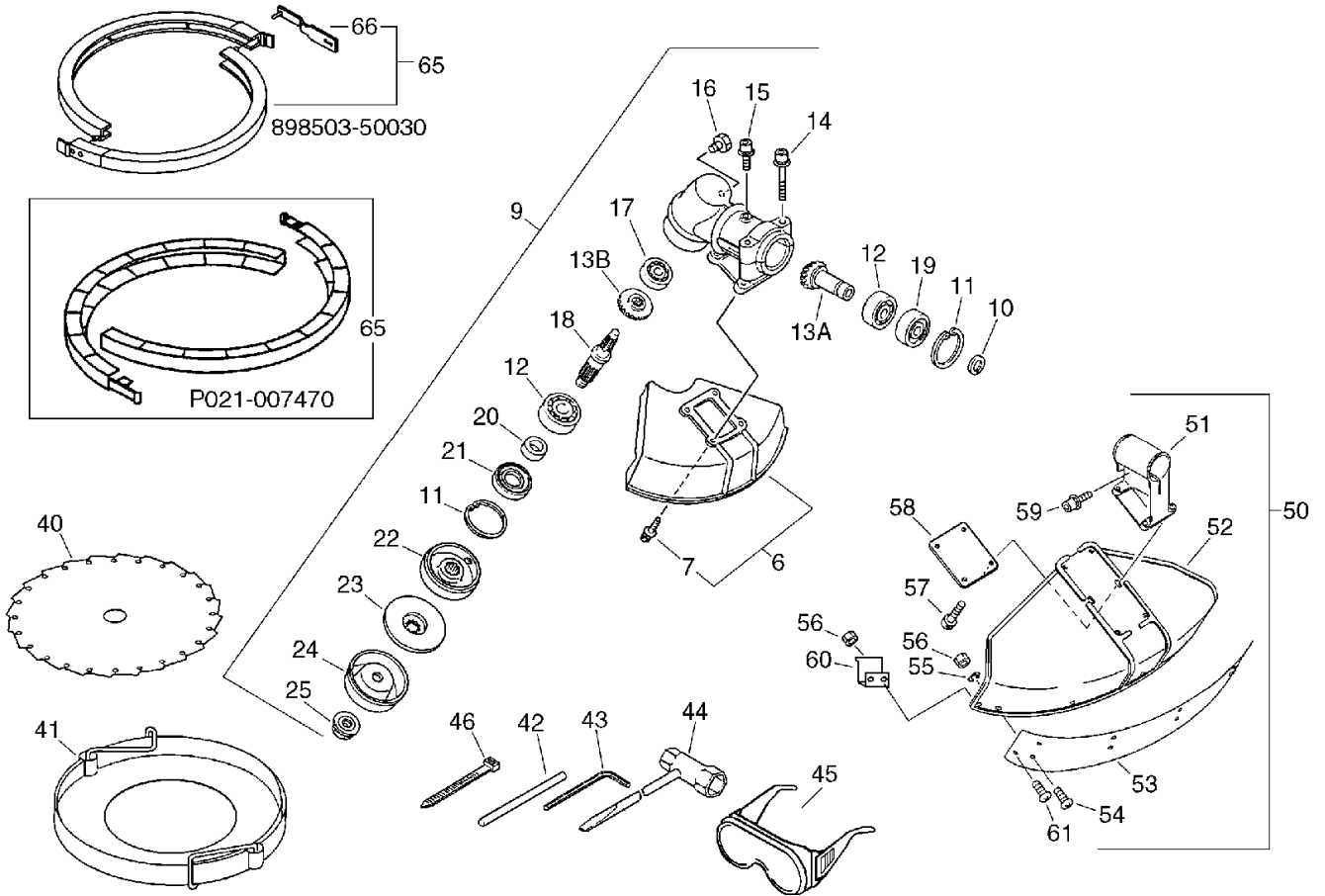


7. Gear Case, Shield, Blade, Tools



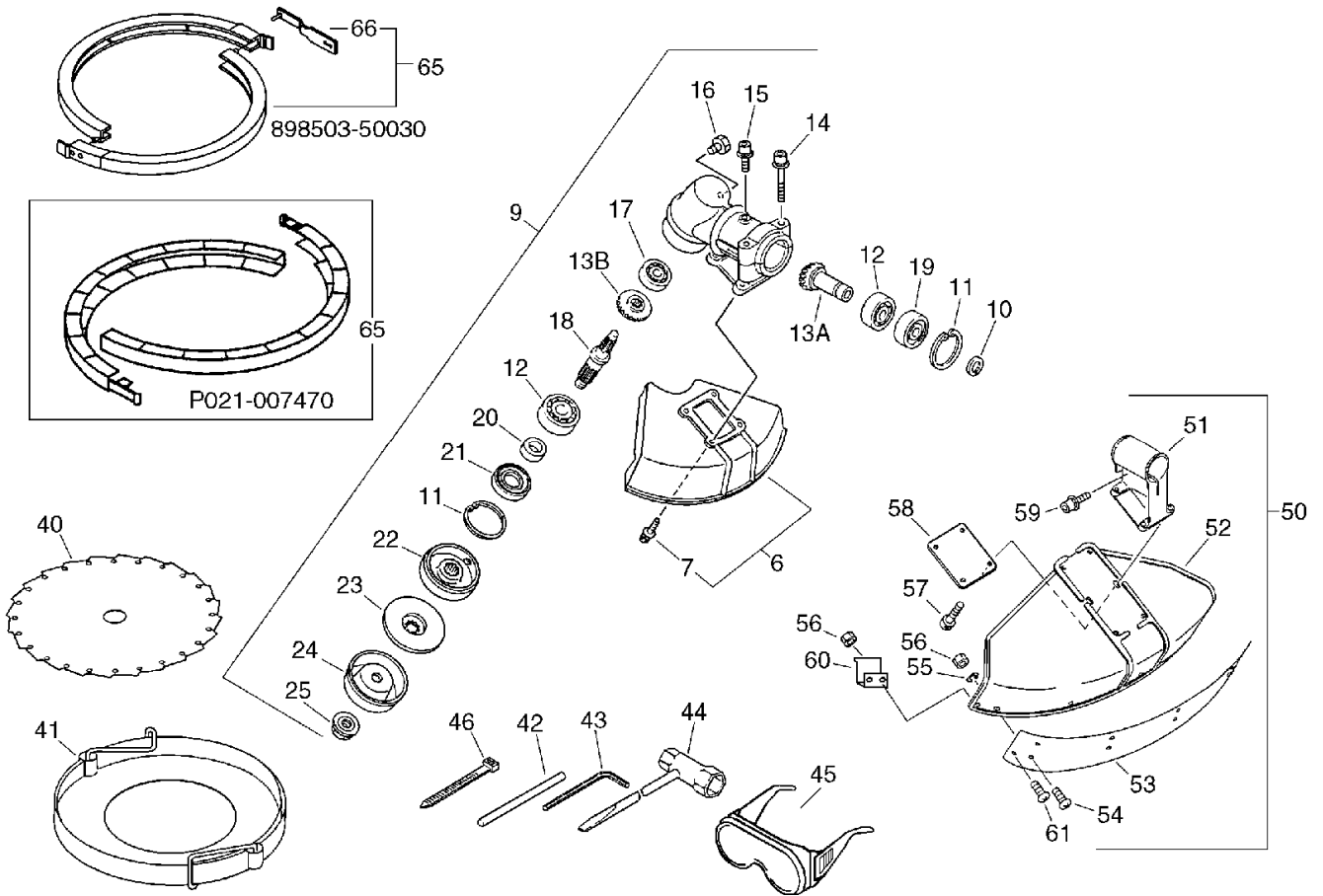
KEY	LV	PART NUMBER	Q'TY	DESCRIPTION	REMARKS	NOTE1	NOTE2
6		699000-47530	1	SHIELD ASSY		Sus. by 699000-47531	
6		699000-47531	1	SHIELD ASY		CLS-5800 Sus. by P021-012720	
7	+	900162-05020	4	BOLT, H.S. 5*20	5*20 W,SW	CLS-5800 Sus. by 91118-05020	
9		610400-51530	1	HOUSING ASSY, GEAR		Sus. by P021-004762	
9		P021-004760	1	HOUSING ASY,GEAR		Sus. by P021-004762	
9		P021-004761	1	HOUSING ASY,GEAR		Sus. by P021-004762	
9		P021-004762	1	HOUSING ASY,GEAR		Sus. by P021-012680	
10	+	900701-00015	1	CIRCLIP 15	CS-15		
11	+	900702-00035	2	CIRCLIP 35	CR-35		
12	+	900810-06202	2	BEARING, BALL 6202	6202		
13	+	610300-47530	1	GEAR SET			
14	+	900162-05035	2	BOLT, H.S. 5*35	5*35 W,SW	Sus. by 91118-05035	
15	+	900162-05014	1	BOLT, H.S. 5*14	5*14 W,SW	Sus. by 91118-05014	
16	+	610434-50030	1	BOLT 8*6		Sus. by 610434-50031	

7. Gear Case, Shield, Blade, Tools



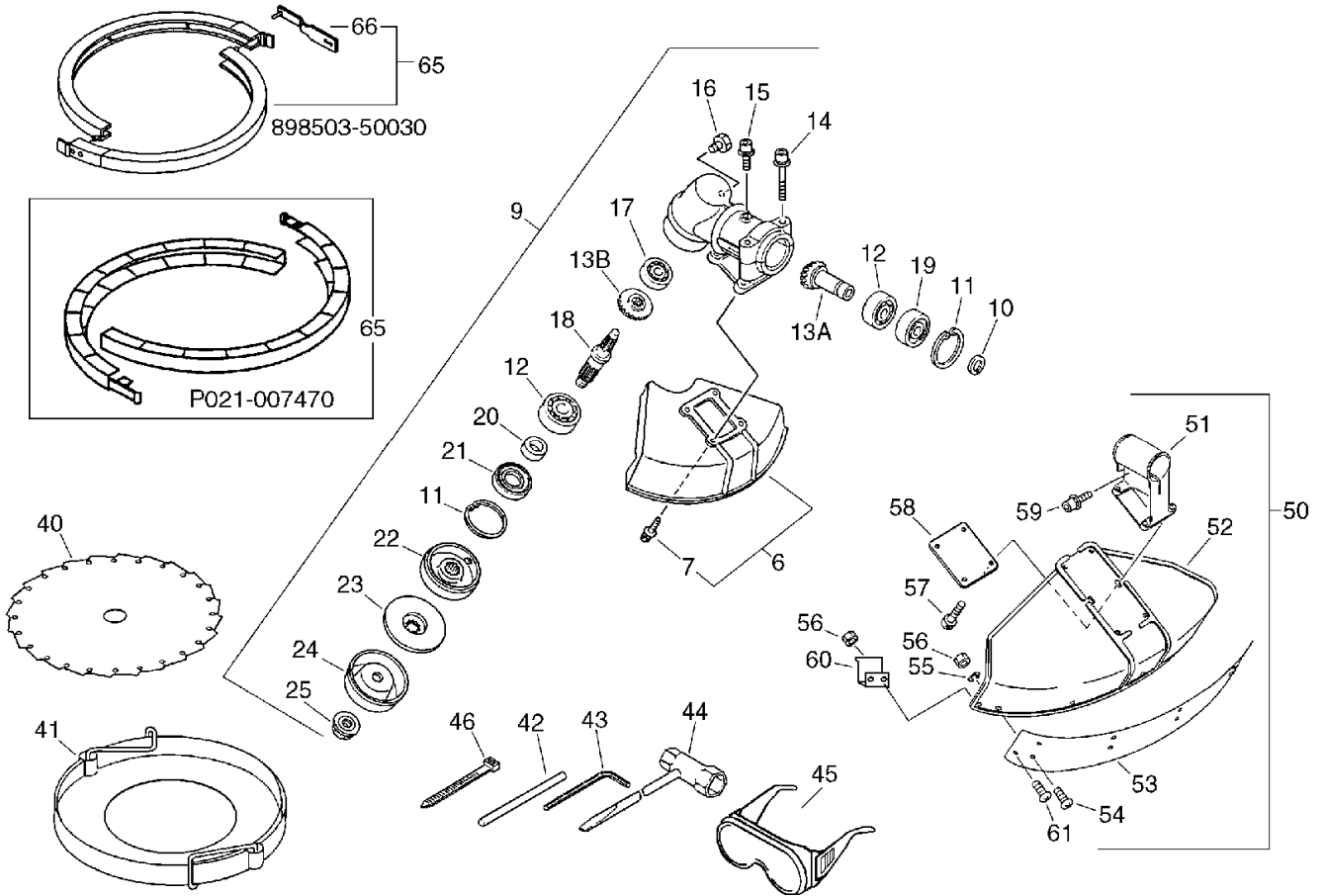
KEY	LV	PART NUMBER	Q'TY	DESCRIPTION	REMARKS	NOTE1	NOTE2
16	+	610434-50031	1	BOLT 8* 8	M8*8		
17	+	900800-06001	1	BEARING, BALL 6001	6001		
18	+	610310-51530	1	SHAFT, P.T.O.			
19	+	900813-06202	1	BEARING, BALL 6202Z	6202Z		
20	+	610334-06230	1	SPACER, OILSEAL			
21	+	610413-47530	1	OILSEAL IS 20 35 7			
22	+	610313-47530	1	PLATE, ADAPTER PD20		Sus. by C535-000050	
22	+	C535-000050	1	FIXTURE, BLADE			
23	+	610314-51530	1	PLATE, ADAPTER		Sus. by C535-000060	
23	+	C535-000060	1	FIXTURE, BLADE			
24	+	610352-47530	1	PLATE, CUP			
25	+	610320-47530	1	NUT, LOCK			
40		695001-51530	1	SAW, EIA200-20		CLS-5800	
41		898503-08030	1	COVER SET, CUTTER		Sus. by 898503-08031	
41		898503-08031	1	COVER SET, CUTTER	8INC (ORANGE)	CLS-5800	
42		897518-01131	1	LOCKING TOOL			
43		895610-00130	1	L-WRENCH (4MM)			
44		895410-08030	1	WRENCH, W/S. DRIVER		Sus. by X602-000020	
44		X602-000020	1	TOOL, WRENCH	17*19 L200		
45		899580-40930	1	GOGGLE		Sus. by X690-000030	

7. Gear Case, Shield, Blade, Tools



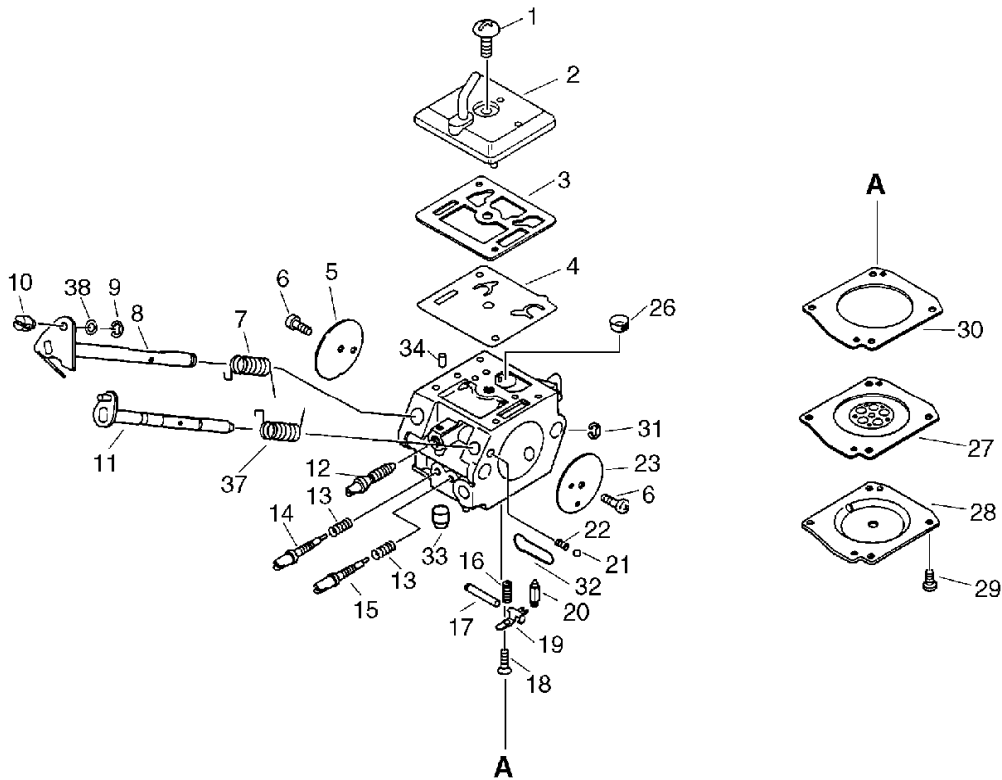
KEY	LV	PART NUMBER	Q'TY	DESCRIPTION	REMARKS	NOTE1	NOTE2
45		899580-68730	1	SAFETY GLASSES		Sus. by X690-000030	
45		X690-000030	1	GOGGLE			
46		178121-43230	1	BAND	CV-150 BL		
50		699000-54530	1	SHIELD ASSY		CLS-5810 Sus. by P021-012700	
51	+	699011-51530	1	BRACKET, SHIELD		CLS-5810	
52	+	699010-54430	1	SHIELD, BLADE		CLS-5810	
53	+	699013-52130	1	PLATE, SHIELD		CLS-5810	
54	+	900162-05018	4	BOLT, H.S. 5*18	5*18 W,SW	CLS-5810 Sus. by 91118-05018	
55	+	900603-00005	4	WASHER 5	5.5*12*0.8	CLS-5810	
56	+	900500-00005	6	NUT 5	5	CLS-5810	
57	+	900162-05014	4	BOLT, H.S. 5*14	5*14 W,SW	CLS-5810 Sus. by 91118-05014	
58	+	699015-52130	1	PLATE, SHIELD		CLS-5810	
59	+	900162-05025	2	BOLT, H.S. 5*25	5*25 W,SW	CLS-5810 Sus. by 91118-05025	
60	+	699016-52130	1	KNIFE, CORD		Sus. by 699016-54530	
60	+	699016-54530	1	KNIFE		CLS-5810	

7. Gear Case, Shield, Blade, Tools



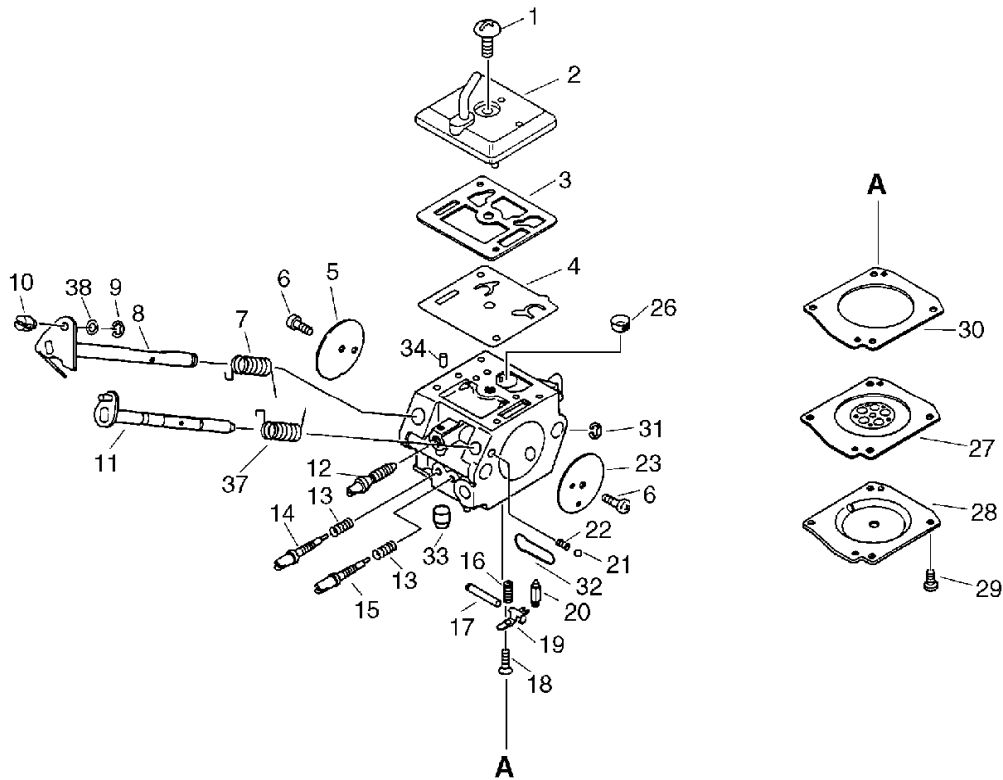
KEY	LV	PART NUMBER	Q'TY	DESCRIPTION	REMARKS	NOTE1	NOTE2
61	+	900162-05012	2	BOLT, H.S. 5*12	5*12 W,SW	CLS-5810	Sus. by 91118-05012
65		898503-50030	1	SCABBARD KIT, BLADE			Sus. by P021-007470
65		P021-007470	1	SCABBARD, BLADE			CLS-5810
66	+	898562-43230	1	FIXTURE, SCABBARD			Can be used on 898503-50030 only

8. Carburetor(Sr/Nr 007469 and before)



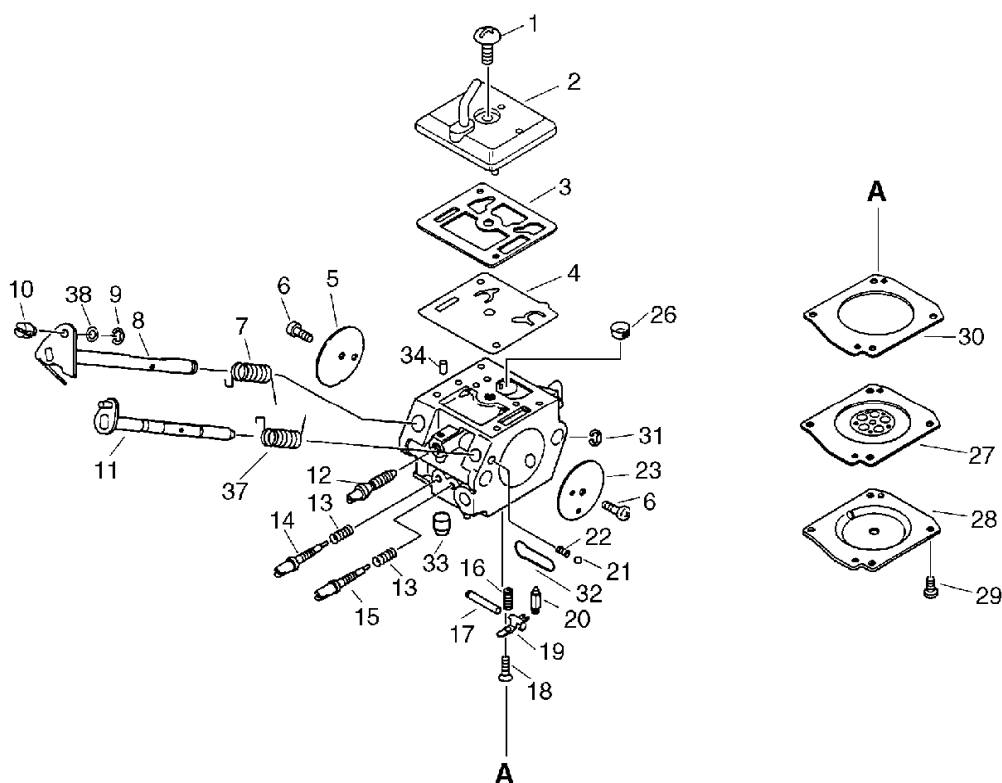
KEY	LV	PART NUMBER	Q'TY	DESCRIPTION	REMARKS	NOTE1	NOTE2
		125200-54430	1	CARBURETOR ASSY	C3M-K33	Sus. by 125200-54434	
		125200-54431	1	CARBURETOR ASSY	C3M-K33B	Sus. by 125200-54434	
		125200-54432	1	CARBURETOR	C3M-K33C	Sus. by 125200-54434	
		125200-54433	1	CARBURETOR	C3M-K33D	Sus. by 125200-54434	
		125200-54434	1	CARBURETOR	C3M-K33D		
1	+	125310-13930	1	SCREW			
2	+	125324-54430	1	COVER, PUMP			
3	+	125325-54430	1	GASKET, PUMP			
4	+	125312-54430	1	DIAPHRAGM, FUEL PUMP		Can be used on the 125200-54430 only	
4	+	125312-54530	1	DIAPHRAGM, FUEL PUMP		Can be used on the 125200-54431,54432 and 54433	
5	+	125316-54430	1	VALVE, THROTTLE			
6	+	125314-51230	2	SCREW	3*4.5		
7	+	125313-54430	1	SPRING, THRT. RETURN			
8	+	125317-54430	1	SHAFT, THROTTLE		Sus. by P005-001610	
8	+	P005-001610	1	SHAFT ASY,THROTTLE			
9	+	125327-13930	1	CLIP			

8. Carburetor(Sr/Nr 007469 and before)



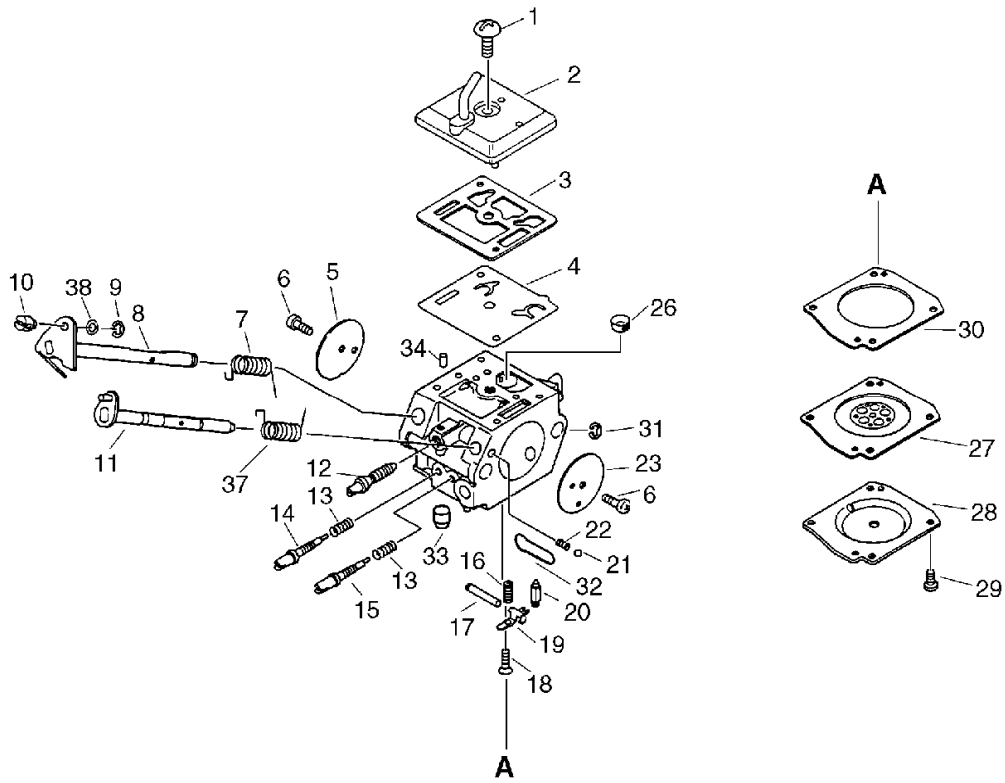
KEY	LV	PART NUMBER	Q'TY	DESCRIPTION	REMARKS	NOTE1	NOTE2
10	+	125372-54430	1	SWIVEL		Can be used on the 125200-54430,1,2,3	
10	+	P005-001860	1	SWIVEL		Can be used on the 125200-54434 only	
11	+	125331-54430	1	SHAFT, CHOKE		Sus. By P005-001490	
11	+	P005-001490	1	SHAFT, CHOKE			
12	+	125334-54430	1	SCREW, IDLE ADJUST			
13	+	125319-42030	2	SPRING, COIL		Can be used on the 125200-54430 only	
13	+	125319-13930	2	SPRING, COIL		Can be used on the 125200-54431,54432 and 54433	
14	+	125318-54430	1	NEEDLE, IDLE			
15	+	125320-54430	1	NEEDLE, HIGH SPEED			
16	+	125322-12620	1	SPRING, COIL			
17	+	125338-13930	1	PIN, METERING ARM			
18	+	125339-13930	1	SCREW			
19	+	125323-08260	1	ARM, VALVE			
20	+	125337-08260	1	VALVE, INLET NEEDLE			
21	+	125336-33330	1	BALL, STEEL			
22	+	125335-33330	1	SPRINGT, FRICTION			

8. Carburetor(Sr/Nr 007469 and before)



KEY	LV	PART NUMBER	Q'TY	DESCRIPTION	REMARKS	NOTE1	NOTE2
23	+	125332-33330	1	VALVE, CHOKE			
24	+	125390-54430	1	GOVERNOR		Sr/Nr 003372 and before	
25	+	125353-54430	1	WASHER		Sr/Nr 003372 and before	
26	+	125326-08360	1	STRAINER			
27	+	125341-54430	1	DIAPHRAGM			
28	+	125342-33330	1	COVER, DIAPHRAGM			
29	+	125344-52130	4	SCREW			
30	+	125340-54430	1	GASKET, DIAPHRAGM			
31	+	125327-15130	1	CLIP			
32	+	125345-08360	1	PLUG, WELCH			
33	+	125376-42030	1	NOZZLE, CHECK VALVE		Can be used on the 125200-54430 only	
33	+	125376-54430	1	NOZZLE, CHECK VALVE		Can be used on the 125200-54431 only	
33	+	P005-000000	1	NOZZLE,CHECK VALVE		Can be used on the 125200-54432 and 54433	
34	+	125378-13930	1	PIECE, FRICTION			
37	+	P005-001560	1	SPRING, CHOKE RETURN		Can be used on the A021-000951 only	

8. Carburetor(Sr/Nr 007469 and before)



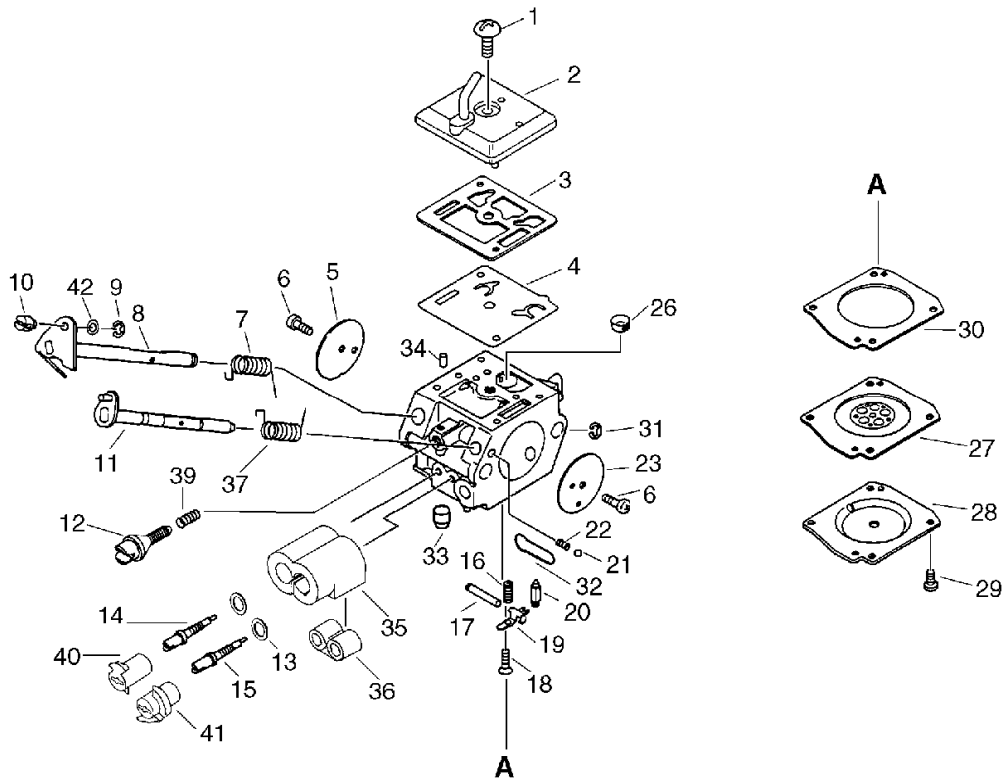
KEY	LV	PART NUMBER	Q'TY	DESCRIPTION	REMARKS	NOTE1	NOTE2
-----	----	-------------	------	-------------	---------	-------	-------

38	+	P005-001870	1	WASHER			
----	---	-------------	---	--------	--	--	--

Can be used on the  
125200-54434 only

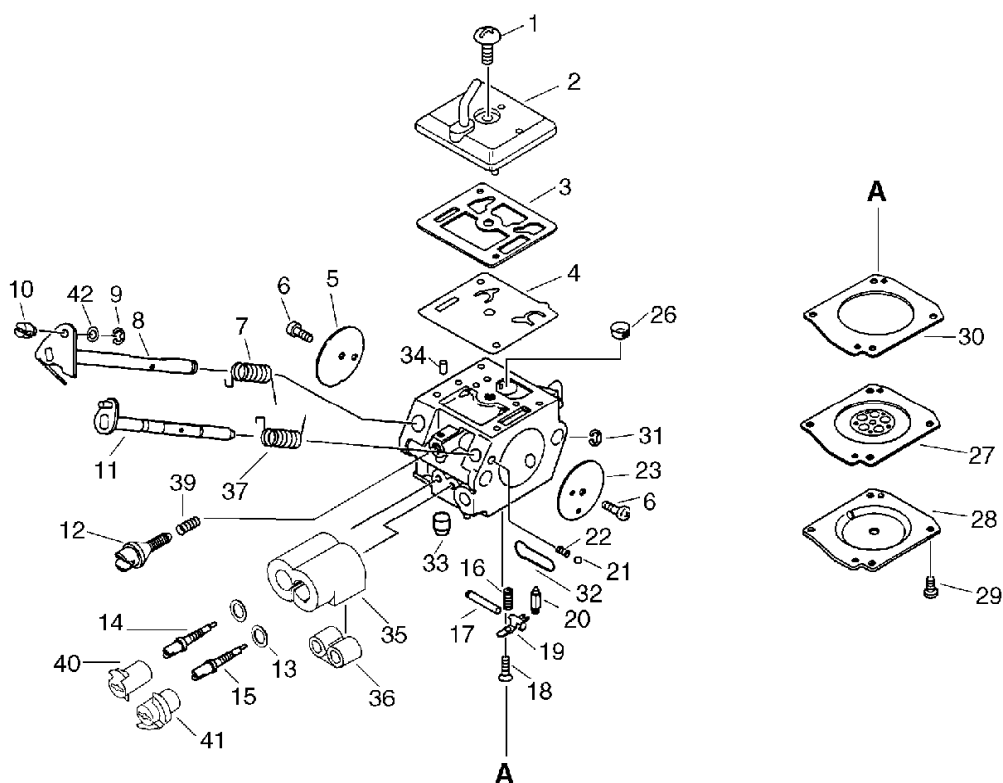


9. Carburetor(Sr/Nr 36001001 and after)



KEY	LV	PART NUMBER	Q'TY	DESCRIPTION	REMARKS	NOTE1	NOTE2
		A021-000950	1	CARBURETOR,DIAPHRAGM	C3M-K80	Sus. By P005-001490	
		A021-000951	1	CARBURETOR,DIAPHRAGM	C3M-K80		
1	+	125310-13930	1	SCREW			
2	+	125324-54430	1	COVER, PUMP			
3	+	P005-001430	1	GASKET, PUMP			
4	+	P005-001420	1	DIAPHRAGM, PUMP			
5	+	125316-54430	1	VALVE, THROTTLE			
6	+	125314-51230	2	SCREW	3*4.5		
7	+	125313-54430	1	SPRING, THRT. RETURN			
8	+	P005-001610	1	SHAFT ASY,THROTTLE			
9	+	125327-13930	1	CLIP			
10	+	125372-54430	1	SWIVEL		Can be used on the A021-000950 only	
10	+	P005-001860	1	SWIVEL		Can be used on the A021-000951 only	
11	+	P005-001490	1	SHAFT, CHOKE			
12	+	P005-001480	1	SCREW, THROTTLEADJUST			
13	+	125353-20560	2	WASHER			
14	+	P005-001460	1	SCREW, IDLE MIXTURE			
15	+	P005-001450	1	SCREW, MAIN MIXTURE			
16	+	125322-11520	1	SPRING, COIL			
17	+	125338-13930	1	PIN, METERING ARM			
18	+	125339-13930	1	SCREW			

9. Carburetor(Sr/Nr 36001001 and after)



KEY	LV	PART NUMBER	Q'TY	DESCRIPTION	REMARKS	NOTE1	NOTE2
19	+	125323-08260	1	ARM, VALVE			
20	+	125337-08260	1	VALVE, INLET NEEDLE			
21	+	125336-33330	1	BALL, STEEL			
22	+	125335-33330	1	SPRINGT, FRICTION			
23	+	125332-33330	1	VALVE, CHOKE			
26	+	125326-08360	1	STRAINER			
27	+	125341-54430	1	DIAPHRAGM			
28	+	P005-001850	1	COVER, DIAPHRAGM			
29	+	125344-52130	4	SCREW			
30	+	P005-001440	1	GASKET, METERING			
31	+	125327-15130	1	CLIP			
32	+	125345-15130	1	PLUG, WELCH			
33	+	P005-001470	1	NOZZLE, CHECK VALVE			
34	+	125378-13930	1	PIECE, FRICTION			
35	+	P005-001510	1	RETAINER, LIMIT CAP			
36	+	P005-001500	1	SCREW, BOOT ADJUST			
37	+	P005-001560	1	SPRING, CHOKE RETURN			
39	+	125333-08560	1	SPRING,ADJUST SCREW			
40	+	P005-001530	1	LIMITER, TEMPER			
41	+	P005-001520	1	LIMITER, TEMPER			
42	+	P005-001870	1	WASHER		Can be used on the A021-000951 only	

**Index**

<b>Patrs Number</b>	<b>Key No.</b>	<b>Patrs Number</b>	<b>Key No.</b>	<b>Patrs Number</b>	<b>Key No.</b>
100000-54430	1 - 7	125319-42030	8 - 13	130012-54430	3 - 4
100011-32330	1 - 8	125320-54430	8 - 15	130016-54430	3 - 5
100012-12330	1 - 11	125322-11520	9 - 16	130031-10230	4 - 16
100012-12331	1 - 11	125322-12620	8 - 16	130038-54430	3 - 2
100013-54430	1 - 9	125323-08260	8 - 19	130110-54430	3 - 15
100015-00120	1 - 10	125323-08260	9 - 19	130302-54430	3 - 10
100100-54430	1 - 12	125324-54430	8 - 2	130302-54431	3 - 10
100100-54432	1 - 12	125324-54430	9 - 2	130310-54430	3 - 9
100204-54430	1 - 20	125325-54430	8 - 3	130310-54530	3 - 9
100204-54431	1 - 20	125326-08360	8 - 26	130314-54430	3 - 7
100212-19830	1 - 21	125326-08360	9 - 26	130415-40630	3 - 11
100213-02830	1 - 26	125327-13930	8 - 9	130420-54430	3 - 8
100215-03930	1 - 22	125327-13930	9 - 9	131004-16431	4 - 10
100242-54430	1 - 24	125327-15130	8 - 31	131004-16432	4 - 10
100905-14731	5 - 30	125327-15130	9 - 31	131005-54430	4 - 15
100905-14731	6 - 22	125331-54430	8 - 11	131023-14730	4 - 13
100905-51530	5 - 30	125332-33330	8 - 23	131042-14730	4 - 14
100905-51530	6 - 22	125332-33330	9 - 23	131205-19830	4 - 24
101010-54430	1 - 2	125333-08560	9 - 39	131300-40630	4 - 20
101011-54430	1 - 6	125334-54430	8 - 12	131300-56430	4 - 20
101011-54431	1 - 6	125335-33330	8 - 22	132010-02960	4 - 22
101501-54530	1 - 28	125335-33330	9 - 22	132010-54430	4 - 25
101501-54531	1 - 28	125336-33330	8 - 21	132013-09820	4 - 21
101501-54532	1 - 28	125336-33330	9 - 21	132013-26630	4 - 26
101511-54430	2 - 18	125337-08260	8 - 20	132115-44330	4 - 23
101511-54431	2 - 18	125337-08260	9 - 20	145510-54430	4 - 4
125200-54430	3 - 6	125338-13930	8 - 17	145610-54430	4 - 2
125200-54430	8 -	125338-13930	9 - 17	145906-54430	4 - 1
125200-54431	3 - 6	125339-13930	8 - 18	145906-54431	4 - 1
125200-54431	8 -	125339-13930	9 - 18	145910-54430	4 - 3
125200-54432	3 - 6	125340-54430	8 - 30	150623-16130	2 - 29
125200-54432	8 -	125341-54430	8 - 27	156111-54431	2 - 28
125200-54433	3 - 6	125341-54430	9 - 27	156626-54430	2 - 21
125200-54433	8 -	125342-33330	8 - 28	156801-54430	2 - 26
125200-54434	3 - 6	125344-52130	8 - 29	159010-10230	2 - 25
125200-54434	8 -	125344-52130	9 - 29	159011-03432	2 - 24
125310-13930	8 - 1	125345-08360	8 - 32	159012-01620	2 - 23
125310-13930	9 - 1	125345-15130	9 - 32	159015-54430	1 - 31
125312-54430	8 - 4	125353-20560	9 - 13	162010-04561	2 - 41
125312-54530	8 - 4	125353-54430	8 - 25	163401-54530	6 - 12
125313-54430	8 - 7	125372-54430	8 - 10	163890-38330	1 - 30
125313-54430	9 - 7	125372-54430	9 - 10	175000-54430	2 - 30
125314-51230	8 - 6	125376-42030	8 - 33	175000-54431	2 - 30
125314-51230	9 - 6	125376-54430	8 - 33	175005-54430	5 - 26
125316-54430	8 - 5	125378-13930	8 - 34	175009-54430	2 - 33
125316-54430	9 - 5	125378-13930	9 - 34	175014-11231	2 - 32
125317-54430	8 - 8	125390-54430	8 - 24	175016-54430	2 - 31
125318-54430	8 - 14	130007-54430	3 - 3	175018-54430	2 - 34
125319-13930	8 - 13	130010-54430	3 - 1	175018-54430	2 - 34

**Index**

<b>Patrs Number</b>	<b>Key No.</b>	<b>Patrs Number</b>	<b>Key No.</b>	<b>Patrs Number</b>	<b>Key No.</b>
175030-54430	2 - 36	610206-51530	5 - 8	900162-05014	6 - 21
175046-54430	2 - 35	610206-51531	5 - 8	900162-05014	7 - 15
177200-54430	2 - 5	610223-54430	5 - 21	900162-05014	7 - 57
177200-54431	2 - 5	610300-47530	7 - 13	900162-05018	4 - 5
177200-54432	2 - 5	610310-51530	7 - 18	900162-05018	7 - 54
177211-06230	2 - 15	610313-47530	7 - 22	900162-05020	5 - 12
177215-06230	2 - 8	610314-51530	7 - 23	900162-05020	5 - 28
177218-54430	2 - 12	610320-47530	7 - 25	900162-05020	7 - 7
177220-00220	2 - 7	610334-06230	7 - 20	900162-05022	1 - 1
177226-06230	2 - 9	610352-47530	7 - 24	900162-05022	2 - 4
177227-05530	2 - 10	610400-51530	7 - 9	900162-05022	2 - 20
177228-11120	2 - 13	610413-47530	7 - 21	900162-05022	4 - 5
177233-54430	2 - 14	610434-50030	7 - 16	900162-05025	5 - 29
177234-54430	2 - 11	610434-50031	7 - 16	900162-05025	6 - 17
178001-54530	6 - 14	610603-54430	5 - 14	900162-05025	7 - 59
178001-54531	6 - 14	610603-54530	5 - 14	900162-05030	3 - 14
178010-05960	6 - 11	610922-54430	5 - 31	900162-05030	5 - 22
178012-05960	6 - 9	695001-51530	7 - 40	900162-05035	1 - 25
178013-35631	6 - 10	699000-47530	7 - 6	900162-05035	5 - 20
178016-47430	2 - 44	699000-47531	7 - 6	900162-05035	6 - 20
178112-54430	1 - 15	699000-54530	7 - 50	900162-05035	7 - 14
178112-54431	1 - 15	699010-54430	7 - 52	900162-05075	4 - 8
178112-54432	1 - 15	699011-51530	7 - 51	900220-05030	6 - 7
178121-43230	7 - 46	699013-52130	7 - 53	900246-03008	4 - 12
178127-54430	6 - 25	699015-52130	7 - 58	900246-03025	6 - 6
178127-54530	6 - 15	699016-52130	7 - 60	900253-04016	1 - 45
178215-54430	1 - 40	699016-54530	7 - 60	900253-04016	6 - 6
178215-54431	1 - 40	890112-54430	1 - 41	900323-03014	1 - 13
178510-54430	1 - 32	890118-54430	2 - 3	900330-40298	1 - 29
178522-54430	1 - 34	890157-39130	6 - 4	900342-20010	1 - 33
301000-51530	5 - 35	890617-43130	5 - 6	900500-00005	6 - 8
301205-47530	5 - 11	890617-46830	5 - 6	900500-00005	7 - 56
301205-47531	5 - 11	890617-46831	5 - 6	900517-00010	2 - 27
305110-54430	5 - 27	895410-08030	7 - 44	900600-00005	1 - 35
351102-47530	6 - 5	895610-00130	7 - 43	900600-00005	4 - 17
351110-47530	6 - 23	897518-01131	7 - 42	900603-00005	7 - 55
351110-54430	6 - 23	898503-08030	7 - 41	900701-00015	5 - 23
351210-47530	6 - 18	898503-08031	7 - 41	900701-00015	7 - 10
351213-47530	6 - 24	898503-50030	7 - 65	900702-00035	1 - 27
351213-47531	6 - 24	898562-43230	7 - 66	900702-00035	5 - 25
351301-47530	6 - 19	899580-40930	7 - 45	900702-00035	7 - 11
351301-47531	6 - 19	899580-68730	7 - 45	900720-00004	3 - 12
351301-47532	6 - 19	900100-06012	2 - 16	900720-00032	4 - 11
351301-47533	6 - 19	900105-05010	4 - 7	900800-06001	7 - 17
351302-47530	6 - 16	900105-05016	1 - 14	900810-06202	7 - 12
610011-47530	5 - 5	900105-05016	4 - 6	900810-36202	1 - 23
610011-51530	5 - 5	900105-05055	3 - 13	900813-06202	7 - 19
610206-47530	5 - 8	900162-05012	7 - 61	900819-06202	5 - 24
610206-47531	5 - 8	900162-05014	5 - 32	A021-000950	3 - 6

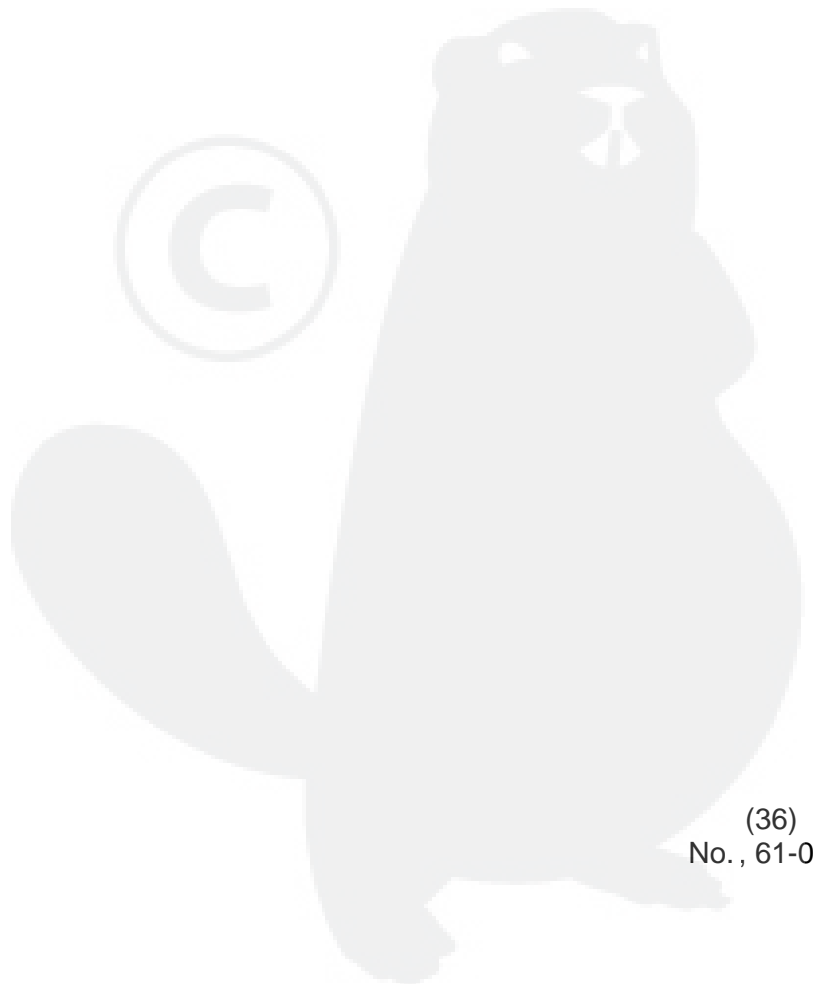
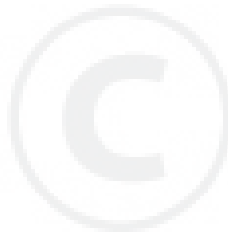
**Index**

<b>Patrs Number</b>	<b>Key No.</b>	<b>Patrs Number</b>	<b>Key No.</b>	<b>Patrs Number</b>	<b>Key No.</b>
A021-000950	9 -	P021-008640	4 - 2		
A021-000951	3 - 6	P021-009180	1 - 5		
A021-000951	9 -	V152-001420	1 - 44		
A130-000590	1 - 6	V162-000200	1 - 36		
A409-000220	2 - 26	V430-000910	6 - 14		
A409-000221	2 - 26	V452-000060	6 - 3		
A410-000000	2 - 40	V452-000130	6 - 10		
A411-000060	2 - 21	V475-001610	2 - 28		
A411-000190	2 - 39	V475-002930	6 - 25		
A411-000191	2 - 39	V475-003570	2 - 43		
A425-000000	2 - 25	V485-000160	2 - 19		
C450-000022	6 - 11	V485-000510	2 - 42		
C460-000011	6 - 9	V495-000000	6 - 26		
C463-000000	6 - 2	V541-000110	1 - 42		
C535-000050	7 - 22	V541-000120	1 - 43		
C535-000060	7 - 23	X602-000020	7 - 44		
P005-000000	8 - 33	X690-000030	7 - 45		
P005-001420	9 - 4				
P005-001430	9 - 3				
P005-001440	9 - 30				
P005-001450	9 - 15				
P005-001460	9 - 14				
P005-001470	9 - 33				
P005-001480	9 - 12				
P005-001490	8 - 11				
P005-001490	9 - 11				
P005-001500	9 - 36				
P005-001510	9 - 35				
P005-001520	9 - 41				
P005-001530	9 - 40				
P005-001560	8 - 37				
P005-001560	9 - 37				
P005-001610	8 - 8				
P005-001610	9 - 8				
P005-001850	9 - 28				
P005-001860	8 - 10				
P005-001860	9 - 10				
P005-001870	8 - 38				
P005-001870	9 - 42				
P021-002590	2 - 17				
P021-002611	6 - 5				
P021-002612	6 - 5				
P021-004760	7 - 9				
P021-004761	7 - 9				
P021-004762	7 - 9				
P021-007300	1 - 7				
P021-007440	1 - 28				
P021-007442	1 - 28				
P021-007470	7 - 65				

# YAMABIKO CORPORATION

7-2 SUEHIROCHO 1-CHOME, OHME, TOKYO 198-8760, JAPAN  
PHONE: 81-428-32-6118. FAX: 81-428-32-6145.

**ECHO**®



(36)  
No., 61-072