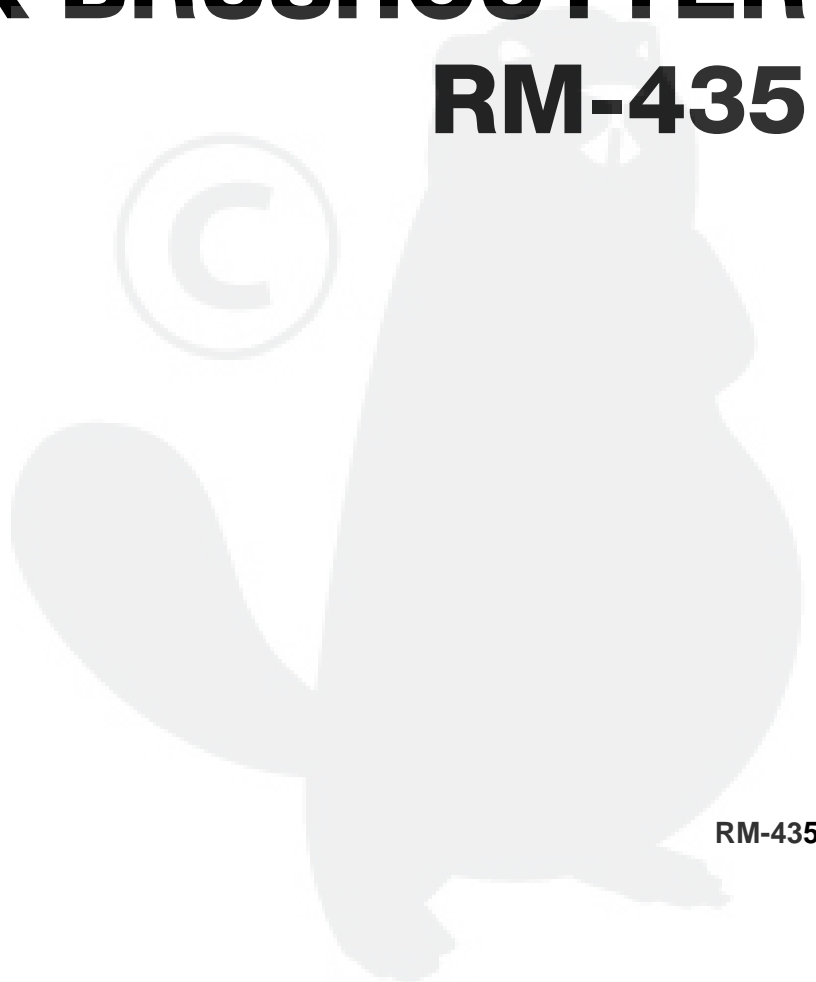




PARTS CATALOG

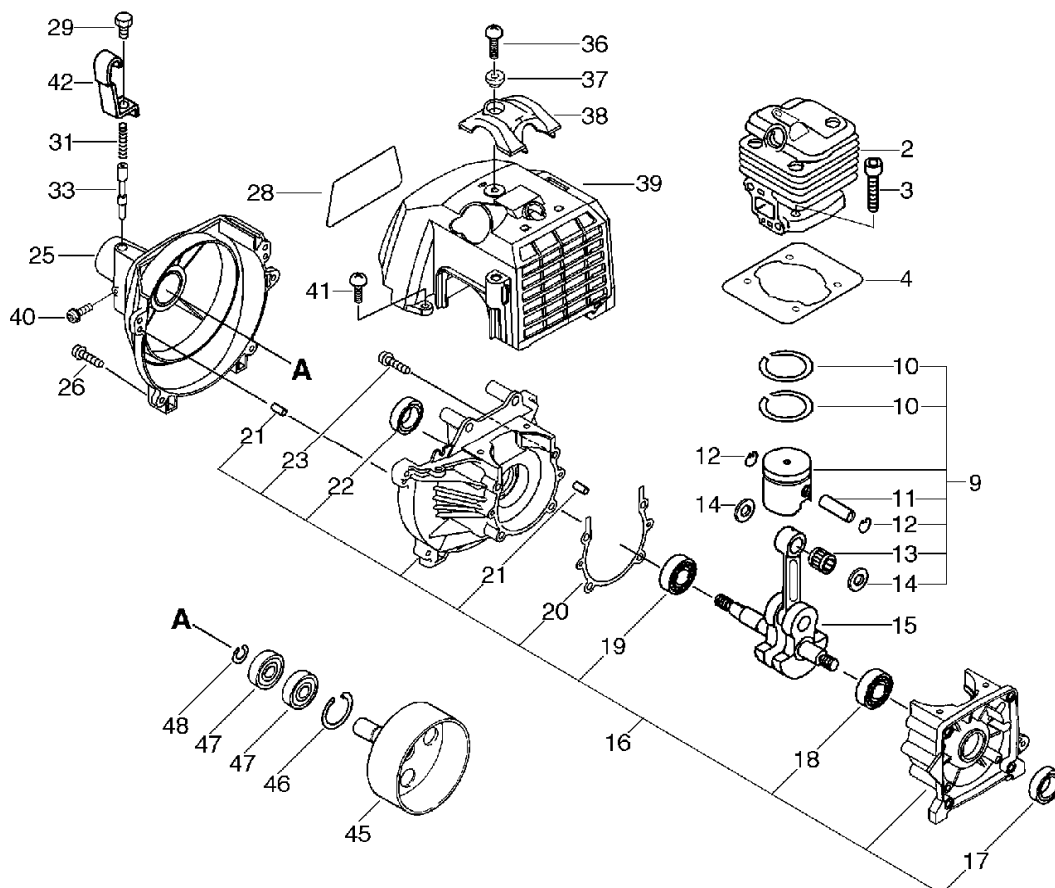
BACKPACK BRUSHCUTTER

RM-435



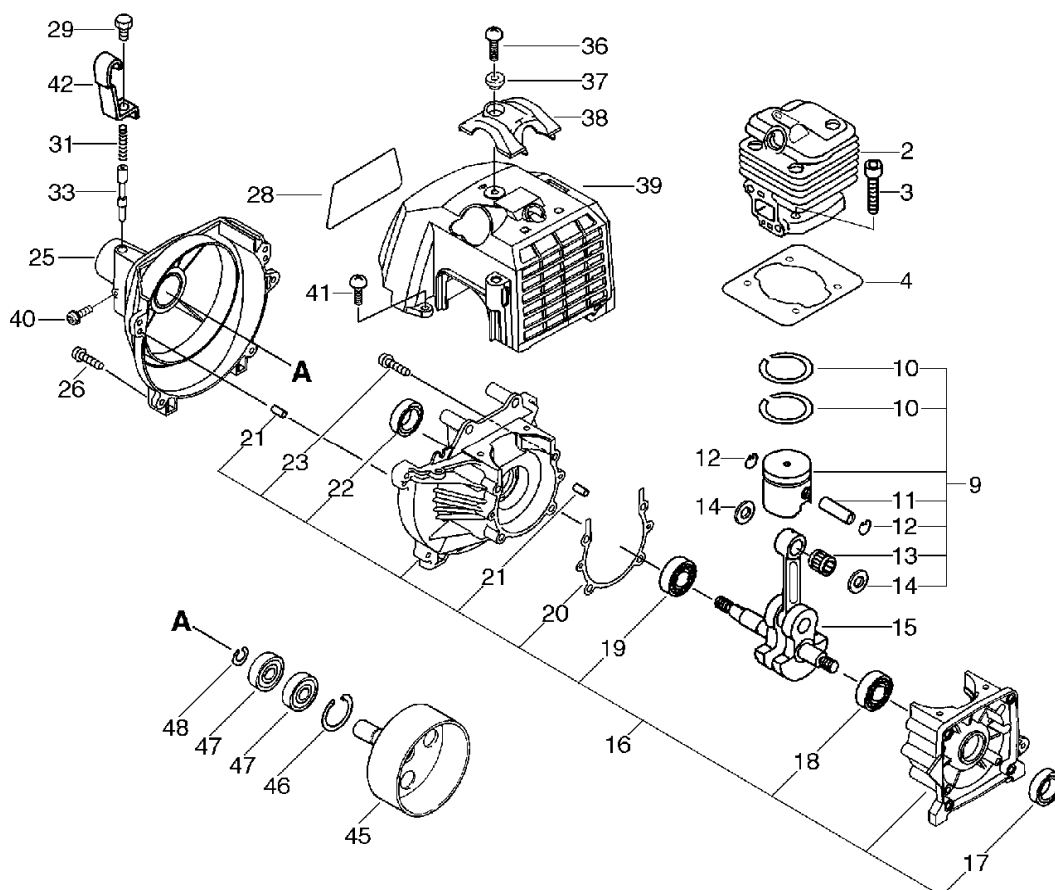
RM-435

1. Cylinder, Crankcase, Piston, Fan Cover



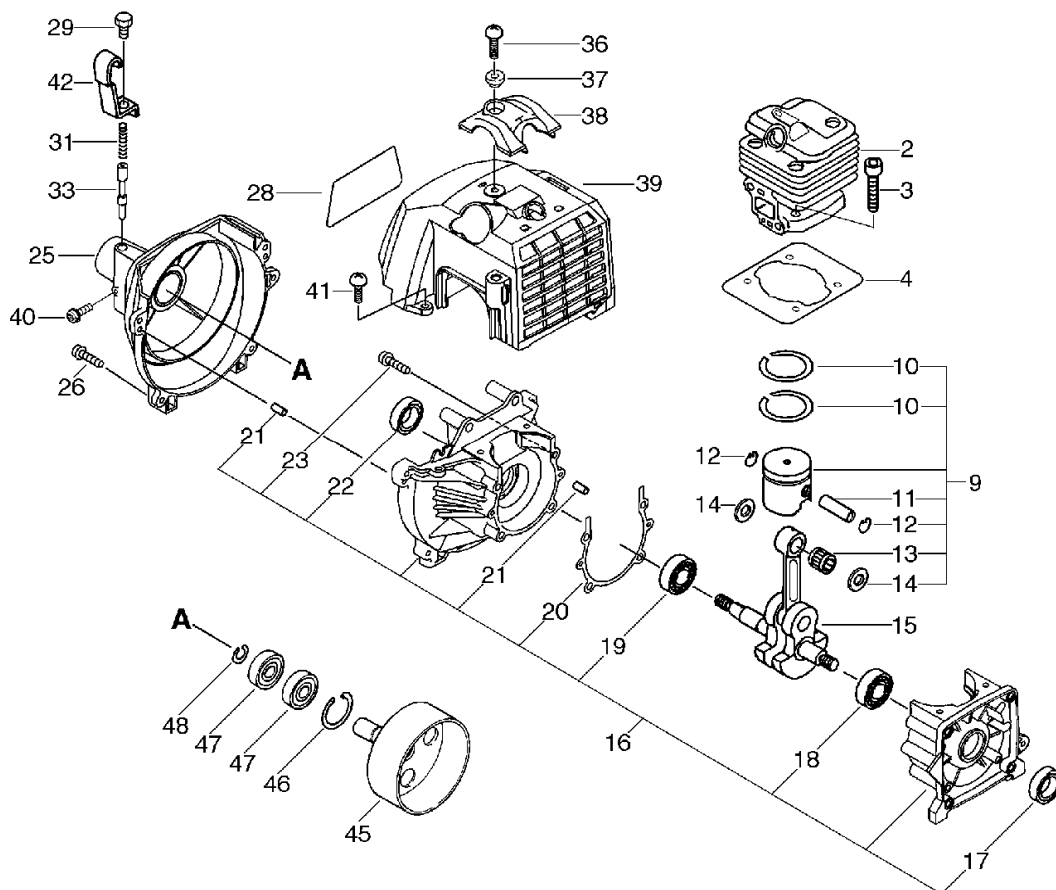
KEY	LV	PART NUMBER	Q'TY	DESCRIPTION	REMARKS	NOTE1	NOTE2
2		A130-000290	1	CYLINDER		Sus. by A130-000292	
2		A130-000291	1	CYLINDER		Sus. by A130-000292	
2		A130-000292	1	CYLINDER		Sus. by A130-000870	
3		900 162-0502 0	4	BOLT, H.S. 5*20			
4		V100-000040	1	GASKET,CYL			
9		P021-002460	1	PISTON KIT		Sr/Nr 20005976 and before	
9		P021-007170	1	PISTON KIT		Sus. by P021-007171	
9		P021-007171	1	PISTON KIT		Sr/Nr 20005977 and after, Sus. by P021-002461	
10	+	100 011-1053 0	2	RING, PISTON		Qty 2 -> 1	
11	+	V608-000000	1	PIN,ENG 10			
12	+	100 015-0012 0	2	CIRCLIP, PISTON PIN		Sus. by V580-000010	
13	+	100 012-1233 1	1	BEARING, NEEDLE		Sr/Nr 20005976 and before	
13	+	V555-000010	1	BEARING,NEEDLE 10		Sr/Nr 20005977 and after	
14	+	V307-000060	2	WASHER,CIRCULAR 10			

1. Cylinder, Crankcase, Piston, Fan Cover



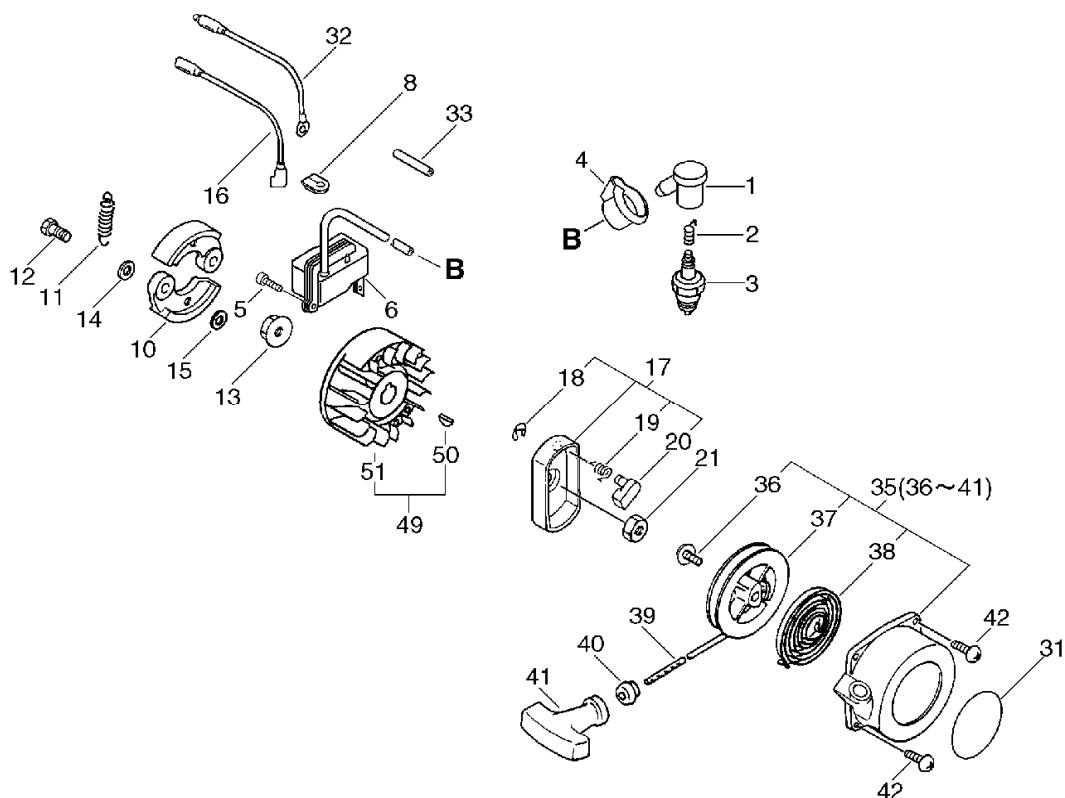
KEY	LV	PART NUMBER	Q'TY	DESCRIPTION	REMARKS	NOTE1	NOTE2
15		A011-000120	1	CRANKSHAFT,ASM		Sr/Nr 20005976 and before	
15		A011-000330	1	CRANKSHAFT,ASM		Sr/Nr 20005977 and after	
16		P021-002471	1	CRANKCASE SET			
17	+	100 213-0553 0	1	OILSEAL			
18	+	94035-36201	1	BEARING BALL	6201X3JR2C3		
19	+	900 810-3620 2	1	BEARING, BALL 6202			
20	+	V102-000001	1	GASKET,CRANKCASE			
21	+	100 215-0393 0	4	PIN, DOWEL			
22	+	100 213-0031 0	1	OILSEAL			
23	+	900 162-0503 5	4	BOLT, H.S. 5*35			
25		A172-000221	1	COVER,FAN		Sus. by A172- 000140	
25		A172-000140	1	COVER,FAN			
26		900 238-0502 0	4	SCREW 5*20			
28		706 510-2809 0	1	LABEL, MODEL			
29		706 410-2995 0	1	BOLT 8			
31		706 410-3193 0	1	SPRING			
33		706 410-3393 0	1	LOCKPIN			
36		900 239-0502 2	1	SCREW 5*22			
37		V353-000020	1	COLLAR,5	12*5.5*4.5L		
38		A162-000020	1	GUARD, TOP			
39		A160-000241	1	COVER,CYLINDER			
40		900 241-0400 8	1	SCREW 4*8			
41		900 238-0501 4	1	SCREW 5*14			

1. Cylinder, Crankcase, Piston, Fan Cover



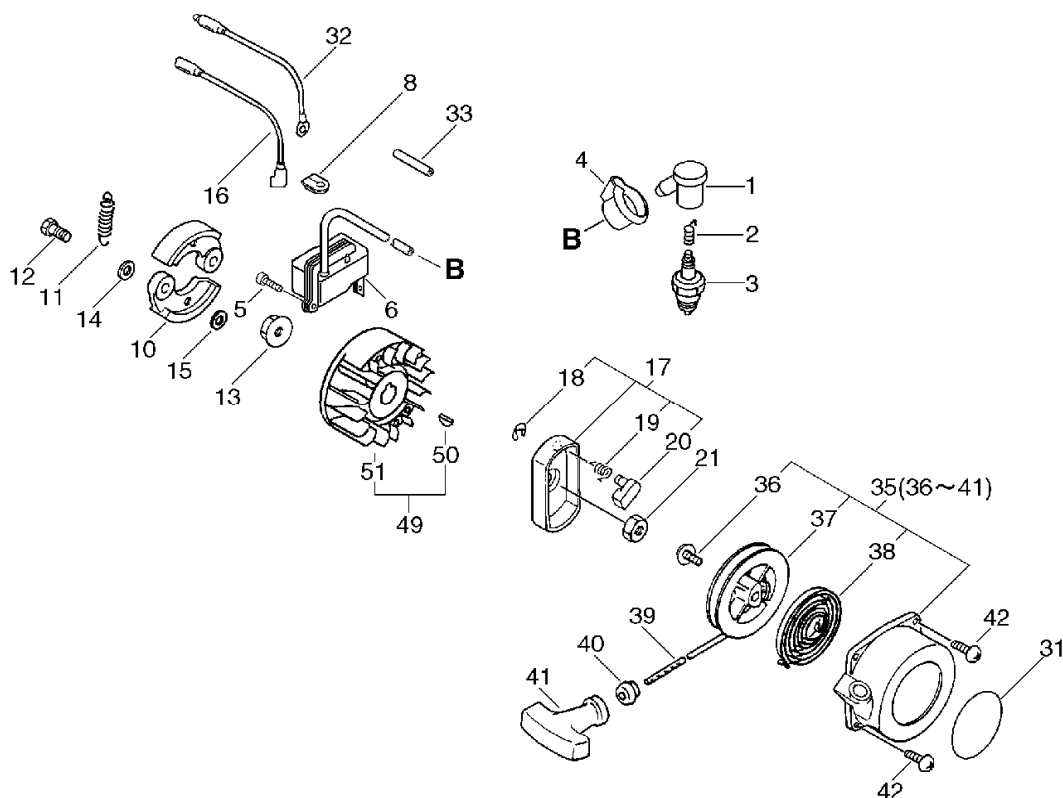
KEY	LV	PART NUMBER	Q'TY	DESCRIPTION	REMARKS	NOTE1	NOTE2
42		706 410-4245 0	1	BRACKET, THR. WIRE			
45		A556-000150	1	DRUM,CLUTCH		Sus. by A556-000151	
45		A556-000151	1	DRUM,CLUTCH			
46		900 702-0002 8	1	CIRCLIP 28			
47		900 807-0600 1	2	BEARING, BALL 6001			
48		900 701-0001 2	1	CIRCLIP 12			

2. Starter, Magneto, Clutch



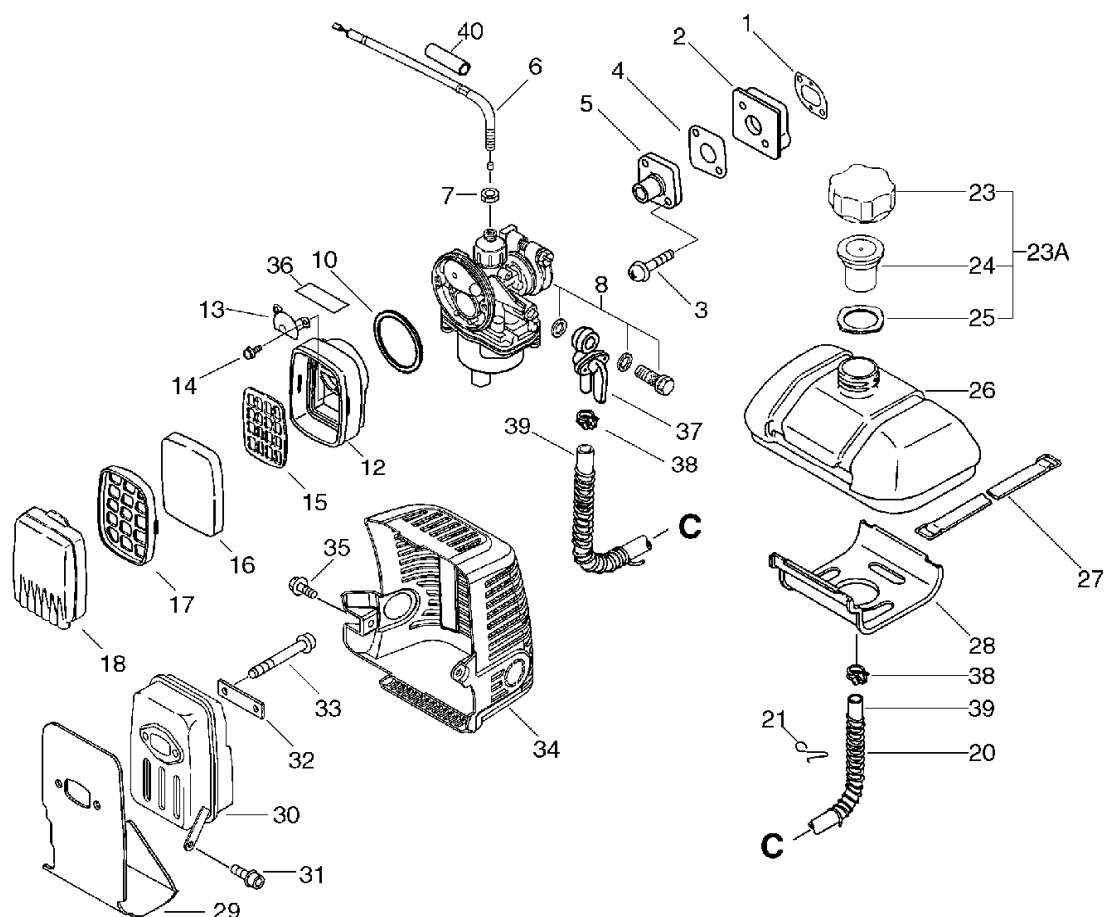
KEY	LV	PART NUMBER	Q'TY	DESCRIPTION	REMARKS	NOTE1	NOTE2
1		A427-000000	1	CAP, SPARK PLUG			
2		A426-000000	1	TERMINAL, SPARK PLUG			
3		159 017-1643 1	1	PLUG, SPARK (CJ-6Y)			
4		V141-000020	1	GROMMET, PLUG			
5		900 162-0502 0	2	BOLT, H.S. 5*20			
6		A411-000050	1	COIL, IGNITION			
8		156 114-0492 0	1	GROMMET			
10		175 009-4223 1	2	SHOE, CLUTCH			
11		175 018-4223 0	1	SPRING, CLUTCH			
12		175 046-0623 0	2	BOLT, CLUTCH			
13		900 519-0001 0	1	NUT, FLANGE 10			
14		175 048-0392 0	2	WASHER			
15		175 049-0392 0	2	WASHER			
16		V485-000150	1	LEAD		Sr/Nr 20002264 and before	
16		162 010-4733 0	1	LEAD, GROUND		Sr/Nr 20002265 and after	
17		A052-000010	1	PULLEY, ASM STARTER		Sus. by A052- 000011	
17		A052-000011	1	PULLEY, ASM STARTER			
18	+	P022-002100	1	E-RING	4		
19	+	P022-002090	1	SPRING, RETURN	A0522160050		
20	+	177 218-4063 0	1	PAWL, STARTER			
21		900 502-0000 8	1	NUT 8 (3N)			
31		706 420-3109 0	1	LABEL, ECHO			

2. Starter, Magneto, Clutch



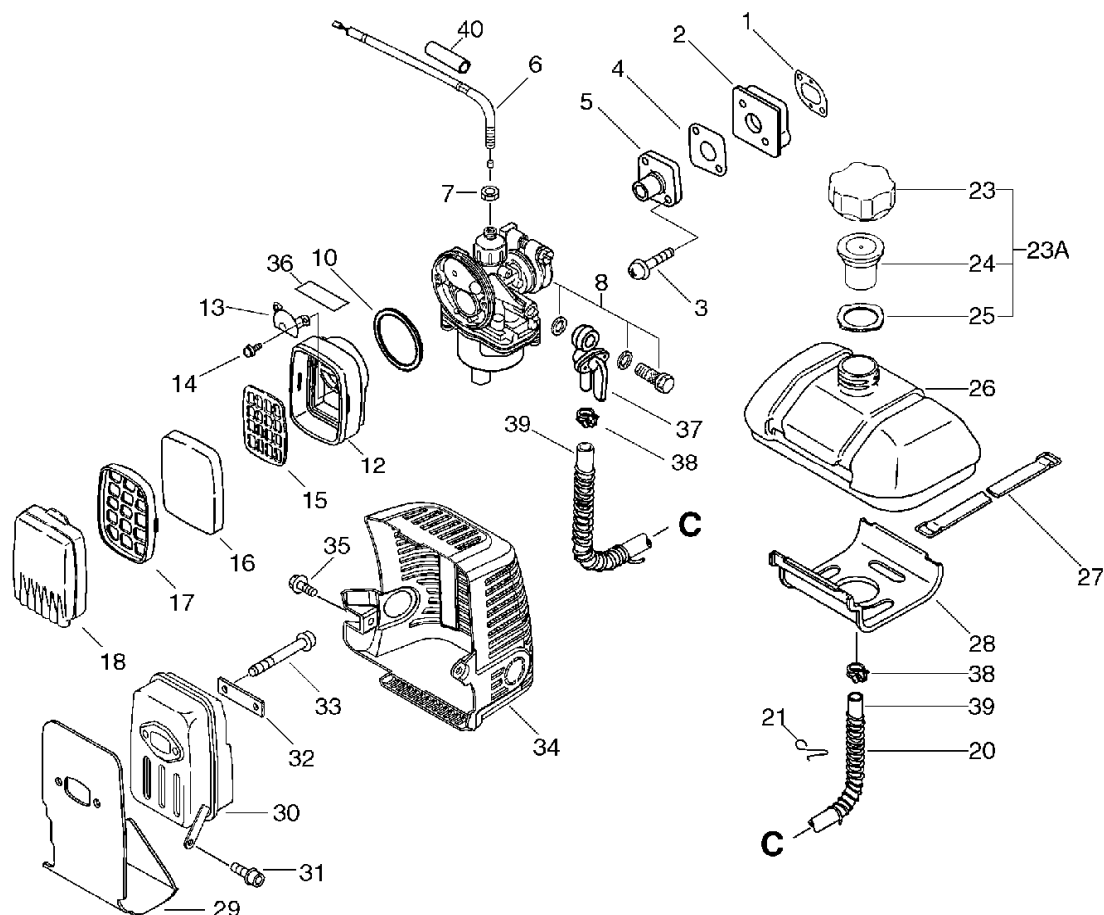
KEY	LV	PART NUMBER	Q'TY	DESCRIPTION	REMARKS	NOTE1	NOTE2
32		162 010-2933 0	1	LEAD, GROUND		Sr/Nr 20002264 and before	
32		162 010-4163 0	1	LEAD, GROUND		Sr/Nr 20002265 and after	
33		706 520-3376 0	1	COVER, PIPE			
35		A051-000070	1	STARTER, RECOIL			
36	+	177 236-0691 0	1	SCREW			
37	+	P022-002080	1	DRUM, STARTER			
38	+	177 220-0631 0	1	SPRING, REWIND			
39	+	177 226-0631 0	1	ROPE, STARTER			
40	+	177 227-4203 0	1	GUIDE, ROPE			
41	+	177 228-2703 0	1	GRIP, STARTER			
42		900 239-0502 2	4	SCREW 5*22			
51		A409-000060	1	ROTOR, MAGNETO		Sus. by P021- 005910	
49		P021-005910	1	ROTOR, MAGNETO KIT			
50	+	900323-03014	1	KEY WOODRUFF	3*14	Can be used P021- 005910 only	
51	+	A409-000061	1	ROTOR, MAGNETO		Sus. by A409- 000063	
51	+	A409-000062	1	ROTOR, MAGNETO		Sus. by A409- 000063	
51	+	A409-000063	1	ROTOR, MAGNETO		Can be used P021- 005910 only	

3. Air Cleaner, Muffler, Fuel Tank



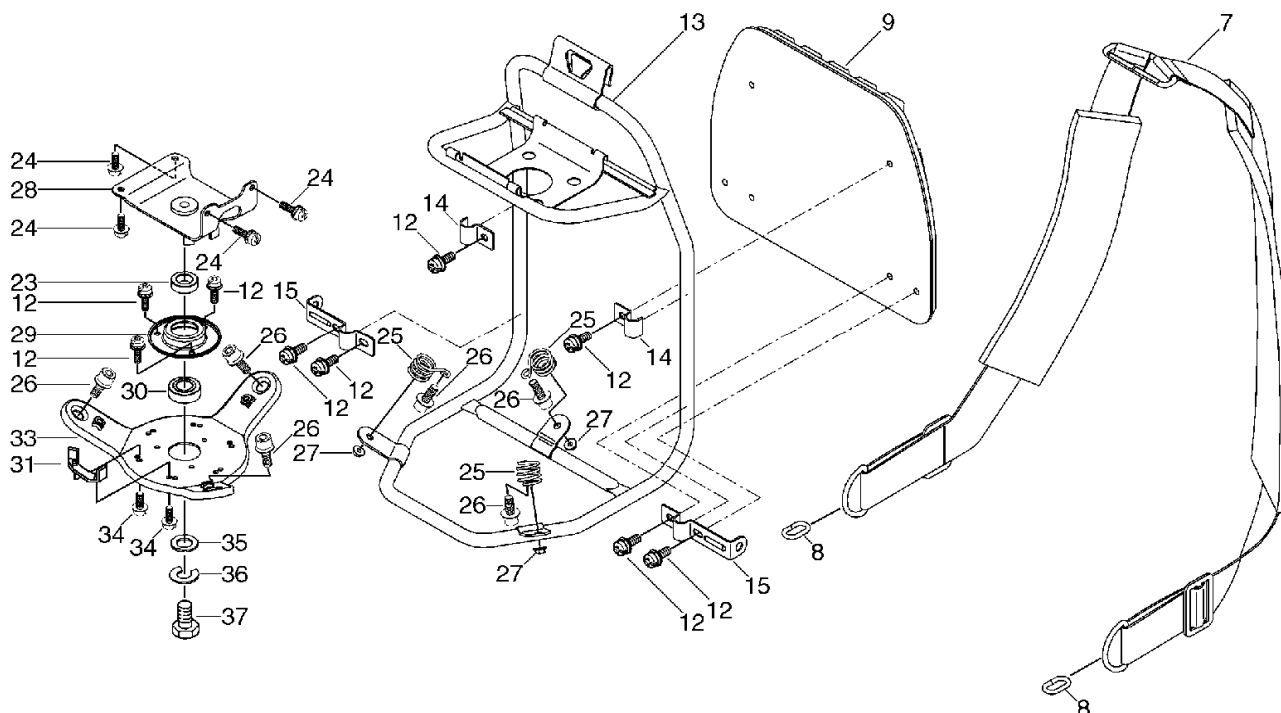
KEY	LV	PART NUMBER	Q'TY	DESCRIPTION	REMARKS	NOTE1	NOTE2
1		V103-000070	1	GASKET,INTAKE			
2		A200-000110	1	INSULATOR,INTAKE			
3		900 238-0503 0	2	SCREW 5*30			
4		V103-000170	1	GASKET,INTAKE			
5		A201-000000	1	FLANGE,INTAKE CARB			
6		178 004-4223 0	1	WIRE, THROTTLE		Sr/Nr 20002264 and before	
6		178 004-2203 0	1	WIRE, THROTTLE		Sr/Nr 20002265 and after	
7		178 021-0553 0	1	LOCKNUT			
8		A020-000011	1	CARBURETOR,FLOAT	TK PC11R		
10		130 320-0581 0	1	SEAL, CLEANER			
12		130 307-1032 1	1	CASE, AIR CLEANER			
13		129 011-0511 0	1	PLATE			
14		900 242-0401 0	2	SCREW 4*10			
15		130 319-0371 0	1	GRID, AIR CLEANER			
16		A226-000150	1	ELEMENT,AIR FILTER			
17		130 311-0371 0	1	GRID, AIR CLEANER			
18		130 313-1072 0	1	COVER, AIR CLEANER			
20		706 330-2055 0	1	COIL, FUEL PIPE			
21		706 330-2105 0	1	CLIP, FUEL PIPE			
23A		706 040-31A6 0	1	CAP ASSY, FUEL TANK			
23	+	706 040-3176 0	1	FUEL TANK CAP			
24	+	706 040-0276 0	1	BREATHER			
25	+	706 040-3356 0	1	FUEL TANK PACKING			
26		706 330-2656 1	1	TANK, FUEL			

3. Air Cleaner, Muffler, Fuel Tank



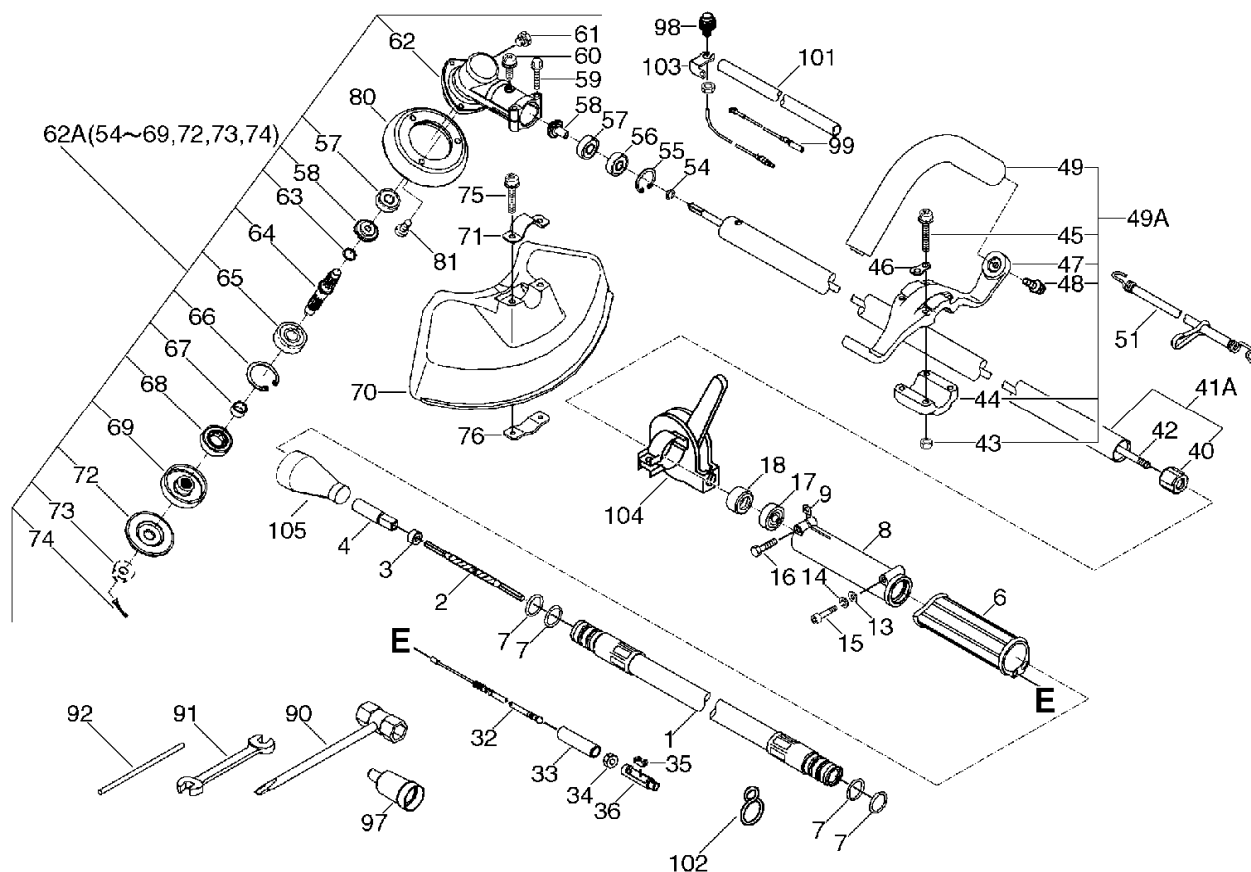
KEY	LV	PART NUMBER	Q'TY	DESCRIPTION	REMARKS	NOTE1	NOTE2
27		706 330-2797 0	2	BAND, FUEL TANK			
28		706 330-2887 0	1	CUSHION, F.TANK			
29		V104-000210	1	GASKET, EXHAUST			
30		A300-000320	1	MUFFLER, EXHAUST			
31		900 162-0501 2	1	BOLT, H.S. 5*12			
32		V150-000550	1	PLATE, EYE			
33		900 105-0606 0	2	BOLT, H.S. 6*60			
34		A320-000070	1	COVER, MUFFLER		Sus. by A320-000071	
35		900 238-0501 4	1	SCREW 5*14			
36		706 330-3609 0	1	LABEL, CHOKE			
37		132 200-0051 2	1	VALVE ASS'Y, FUEL			
38		132 013-0036 0	2	CLIP, PIPE			
39		132 010-2203 0	1	PIPE, FUEL			
40		706 430-4076 0	1	COVER, PIPE			

4. Harness, Engine Plate



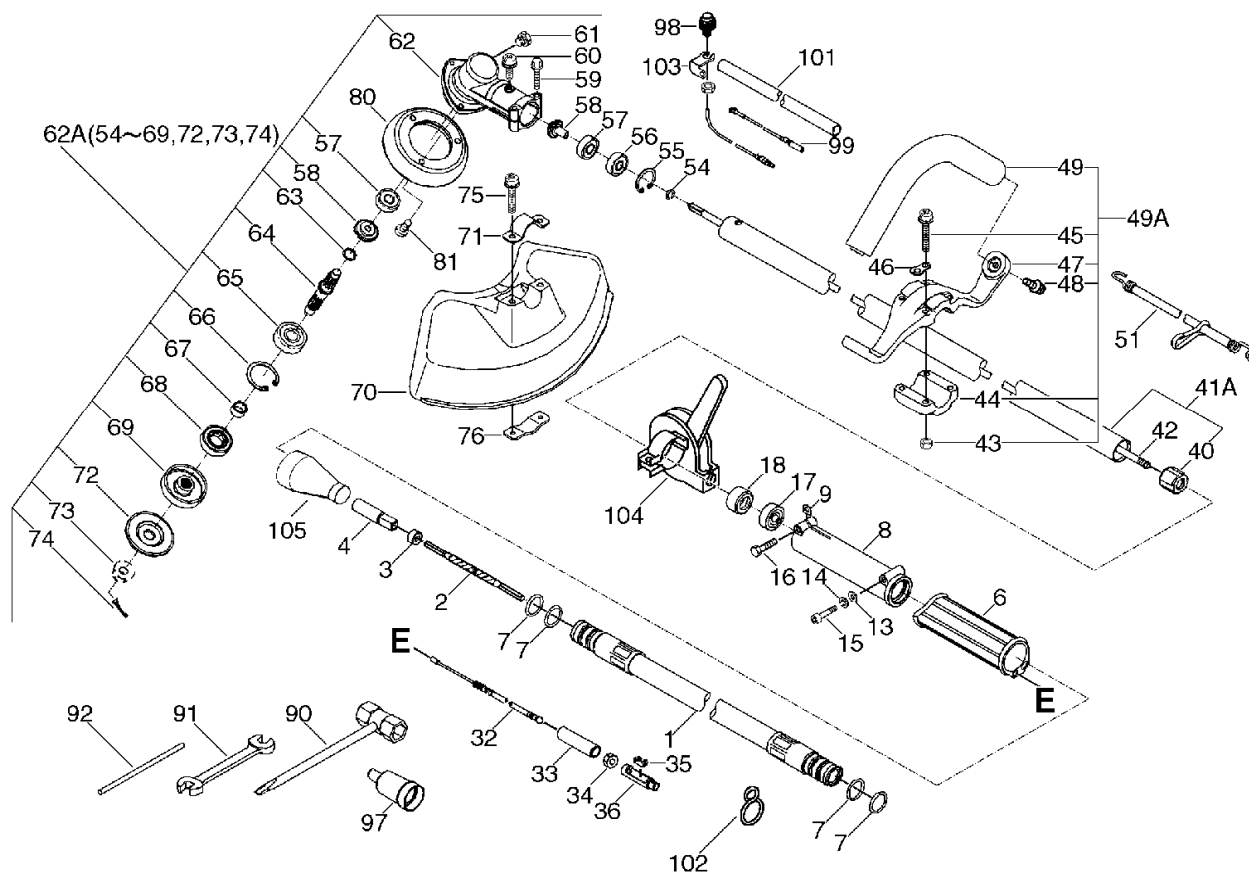
KEY	LV	PART NUMBER	Q'TY	DESCRIPTION	REMARKS	NOTE1	NOTE2
7		706 340-0746 0	1	HARNESS, BACKPACK			
8		706 340-0895 0	2	RING, HARNESS			
9		706 340-0986 0	1	CUSHION, KNAPSACK			
12		900 242-0501 2	9	SCREW 5*12			
13		706 540-1353 0	1	FRAME, KNAPSACK		Sus. by 706 340-1353 2	
13		706 340-1353 2	1	FRAME,KNAPSACK			
14		706 340-1445 0	2	BRACKET, CUSHION(S)			
15		706 340-1545 0	2	BRACKET, CUSHION(L)			
23		706 440-2395 0	1	COLLOR 16			
24		900 242-0501 4	4	SCREW 5*14			
25		V450-000180	3	SPRING,COMPRESSION	0.9KG	Sus. by V450-000330	
25		V450-000330	3	SPRING,COMPRESSION			
26		900 106-0501 2	6	BOLT, H.S. 5*12			
27		706 340-2795 0	3	NUT, FLANGE 5			
28		706 540-2845 0	1	BRACKET, ENGINE			
29		706 340-2945 0	1	HOLDER, BEARING			
30		900 814-0620 2	1	BEARING, BALL 6202			
31		706 340-3105 0	1	STOPPER			
33		706 440-3345 0	1	PLATE, SWIVEL			
34		900 242-0401 0	2	SCREW 4*10			
35		900 600-0001 0	1	WASHER 10			
36		900 605-0001 0	1	WASHER, SPRING 10			
37		900 100-1002 0	1	BOLT 10*20			

5. Carburetor



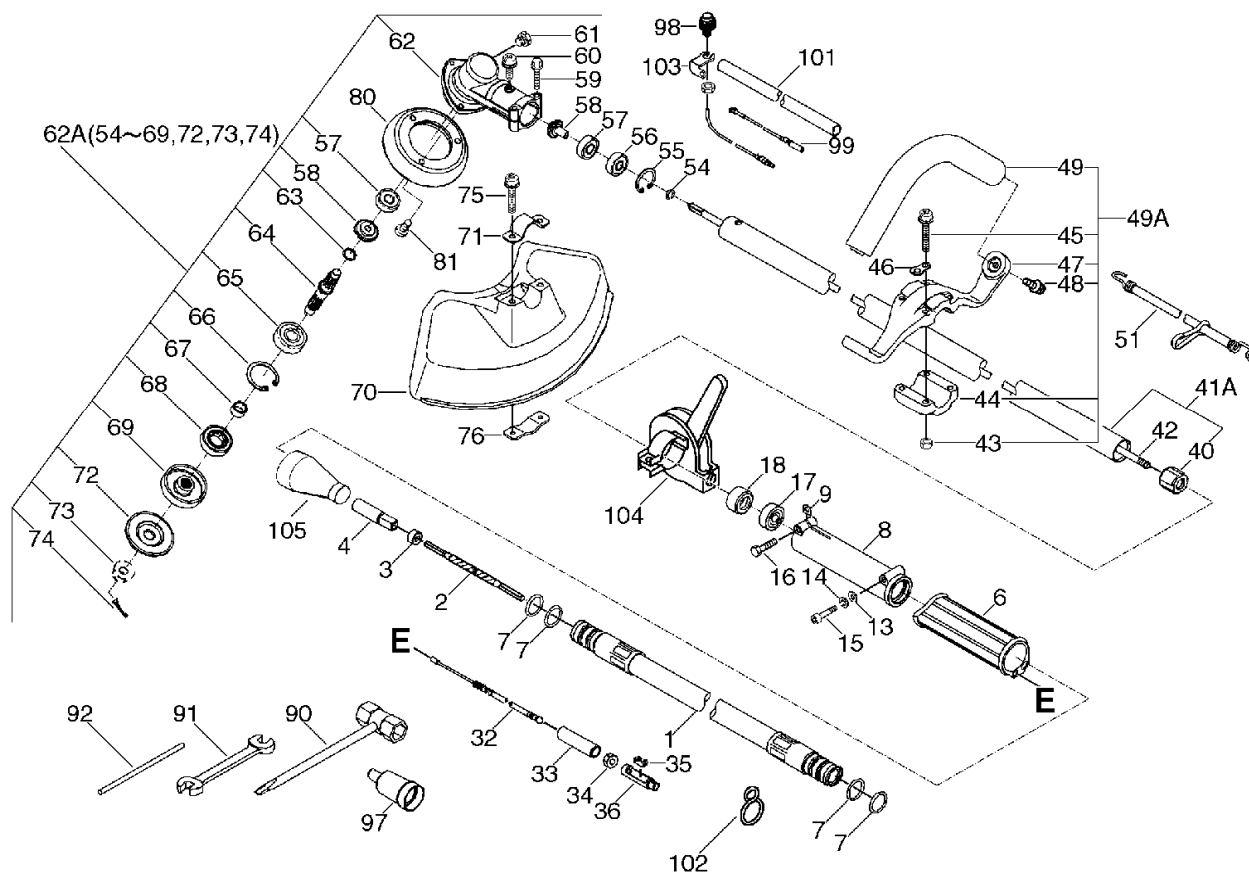
KEY	LV	PART NUMBER	Q'TY	DESCRIPTION	REMARKS	NOTE1	NOTE2
		A020-000011	1	CARBURETOR,FLOAT	TK PC11R		
1	+	124 113-0553 0	1	COVER, TOP			
2	+	124 114-0553 0	1	SPRING, THROTTLE			
3	+	124 115-0553 0	1	SEAT, SPRING			
4	+	124 116-0553 0	1	E-RING			
5	+	P004-000130	1	NEEDLE, JET			
6	+	124 118-4723 0	1	VALVE, THROTTLE			
7	+	124 147-4663 0	1	BOLT			
8	+	900 600-0000 5	1	WASHER 5			
9	+	124 146-4663 0	1	CLIP, OUTLET			
10	+	124 151-1302 0	1	NUT			
11	+	124 149-4663 0	1	GASKET, FRANGE			
12	+	124 160-1112 0	1	SPRING, IDLE ADJUST			
13	+	124 159-4663 0	1	SCREW, IDLE ADJUST			
14	+	124 130-1112 0	2	GASKET			
15	+	124 131-0593 0	1	BOLT, BANJO			
16	+	124 102-1112 0	1	VALVE ASY, NEEDLE			
17	+	124 121-4663 0	1	ARM, FLOAT			
18	+	124 132-4663 0	1	PIN, LEVER			
19	+	900 220-0300 6	1	SCREW 3*6			
20	+	900 220-0401 6	2	SCREW 4*16			
21	+	124 123-4663 1	1	GASKET, CHAMBER			
22	+	124 122-4663 0	1	JET, MAIN			
23	+	124 133-1112 0	1	FLOAT			
24	+	124 104-4663 0	1	CHAMBER ASY, FLOAT			

6. Handle, Shield, Gear Case, Tools



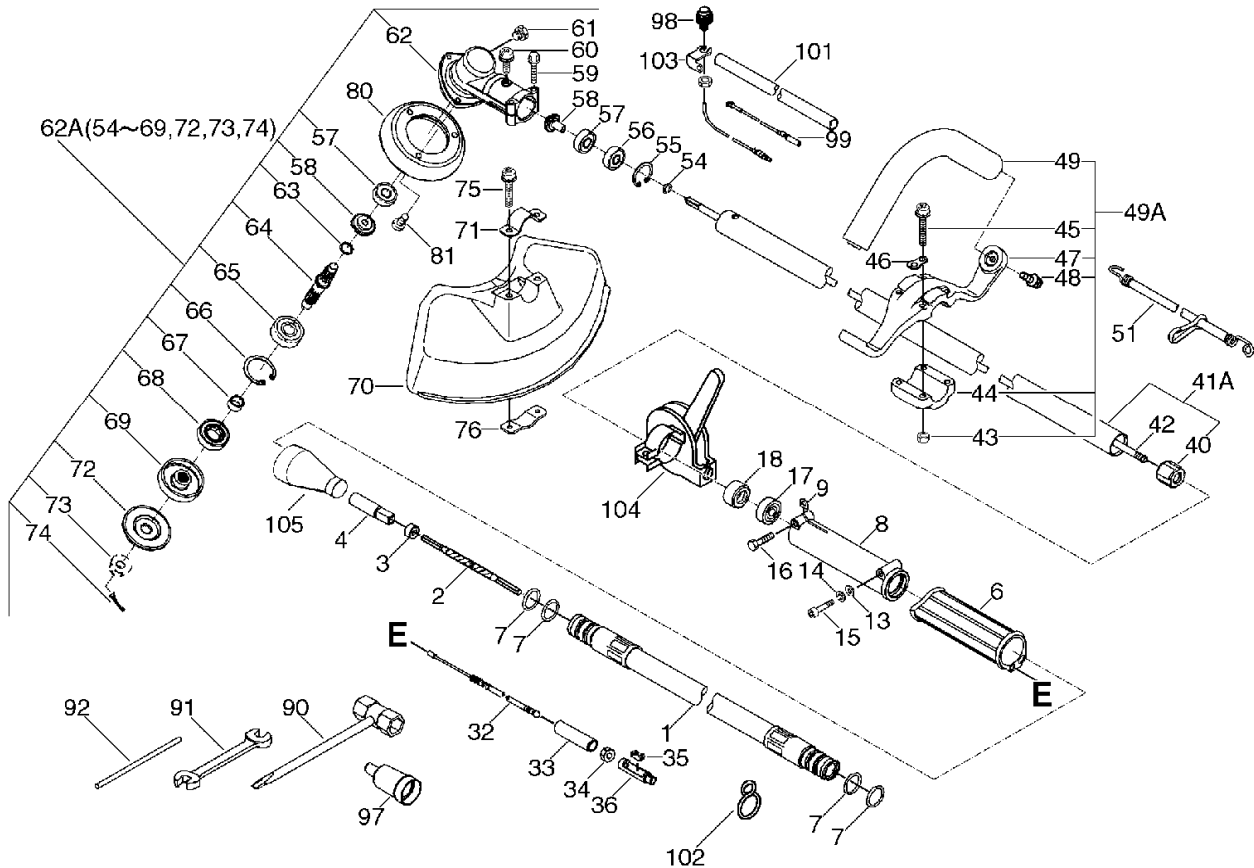
KEY	LV	PART NUMBER	Q'TY	DESCRIPTION	REMARKS	NOTE1	NOTE2
1		706 360-0177 0	1	COVER, FLEXIBLE			
2	+	706 360-0223 0	1	SHAFT, INNER, FLX			
7	+	900 720-0001 8	4	O-RING 18			
3		706 360-0397 0	1	STOPPER,FLEX SHAFT			
4		706 360-0435 0	1	CONNECTOR, D. SHAFT			
6		706 360-0647 0	1	GRIP			
8		706 360-0847 0	1	CONNECTOR			
9		706 360-0975 0	1	WASHER, SHIM			
13		900 600-0000 5	1	WASHER 5			
14		900 605-0000 5	1	WASHER, SPRING 5			
15		706 360-1593 0	1	BOLT 5*28			
16		900 142-0502 5	1	BOLT 5*25 (W/W,SW)			
17		900 814-0062 7	1	BEARING, BALL 627			
18		706 360-1857 0	1	HOLDER, BEARING			
32		706 360-3218 1	1	WIRE, THROTTLE			
33		706 360-3377 0	1	COVER, CONNECTOR			
34		178 021-0553 0	1	LOCKNUT			
35		706 360-3503 0	1	CONNECTOR			
36		706 360-3674 0	1	CONNECTOR, THR. WIRE			
41A		706 360-41A4 0	1	HOUSING ASSY, D.SFT			
40	+	706 360-4077 0	4	BUSHING			
42		706 360-4223 0	1	SHAFT, DRIVE			
49A		706 360-49A4 0	1	HANDLE ASSY, LOOP			
43	+	900 500-0000 5	4	NUT 5			
44	+	706 360-4446 0	1	BRACKET, HANDLE(25S)			
45	+	900 242-0503 5	4	SCREW 5*35			

6. Handle, Shield, Gear Case, Tools



KEY	LV	PART NUMBER	Q'TY	DESCRIPTION	REMARKS	NOTE1	NOTE2
47	+	706 360-4746 0	1	BRACKET, HANDLE(25L)			
48	+	900 242-0501 4	2	SCREW 5*14			
49	+	706 360-4944 0	1	HANDLE			
46		706 360-4695 0	1	PLATE,PORT SET			
51		706 360-5140 0	1	STRAP ASSY			
62A		706 360-62A4 0	1	HOUSING ASY, GEAR			
54	+	900 706-0000 9	1	CIRCLIP 9			
55	+	900 702-0002 5	1	CIRCLIP 25			
56	+	900 803-0060 9	1	BEARING, BALL 609			
57	+	900 800-0060 9	2	BEARING, BALL 609			
58	+	706 360-5823 0	1	GEAR SET			
59	+	900 142-0502 8	2	BOLT 5*28 (W/W,SW)			
60	+	900 242-0501 0	1	SCREW 5*10			
61	+	610 434-5003 1	1	BOLT 8* 8			
62	+	706 360-6254 0	1	HOUSING, GEAR			
63	+	900 706-0001 2	1	CIRCLIP 12			
64	+	706 360-6423 0	1	SHAFT, P.T.O.			
65	+	900 810-0620 1	1	BEARING, BALL 6201			
66	+	900 702-0003 2	1	CIRCLIP 32			
67	+	706 360-6793 0	1	SPACER			
68	+	706 360-6897 0	1	OILSEAL			
69	+	706 360-6943 0	1	PLATE, ADAPTER(U)			
72	+	706 360-7243 0	1	PLATE, ADAPTER(L)			
73	+	610 320-2743 0	1	NUT		Sr/Nr 20005380 and before	
74	+	900 300-2002 2	1	PIN, SPLIT 2*22			

6. Handle, Shield, Gear Case, Tools



KEY	LV	PART NUMBER	Q'TY	DESCRIPTION	REMARKS	NOTE1	NOTE2
70		706 360-7076 0	1	SHILED, BLADE			
71		706 360-7145 0	1	BRACKET,SHIELD UPPER			
75		900 242-0503 0	2	SCREW 5*30			
76		706 360-7645 0	1	BRACKET,SHIELD LOWER			
80		706 360-8076 0	1	PLATE, GUARD			
81		900 242-0502 0	3	SCREW 5*20			
90		706 360-9005 0	1	WRENCH, W/S. DRIVER			
91		895 112-0033 0	1	SPANNER 8*10			
92		897 518-0113 1	1	LOCKING TOOL			
97		706 360-9776 0	2	CAP, FLX. SHAFT			
98		706 460-9868 0	1	STOP SWITCH			
99		706 460-9918 0	1	LEAD			
101		706 361-0103 0	1	PIPE, COVER			
102		706 461-0245 0	2	RING, HARNESS			
103		706 461-0345 0	1	BRACKET, SWITCH			
104		178 000-4663 0	1	CONTROL, THROTTLE			
105		706 360-0648 0	1	COVER			

Index

Patrs Number	Key No.	Patrs Number	Key No.	Patrs Number	Key No.
100 011-1053 0	1 - 10	177 228-2703 0	2 - 41	706 360-49A4 0	6 - 49A
100 012-1233 1	1 - 13	177 236-0691 0	2 - 36	706 360-5140 0	6 - 51
100 015-0012 0	1 - 12	178 000-4663 0	6 - 104	706 360-5823 0	6 - 58
100 213-0031 0	1 - 22	178 004-2203 0	3 - 6	706 360-6254 0	6 - 62
100 213-0553 0	1 - 17	178 004-4223 0	3 - 6	706 360-62A4 0	6 - 62A
100 215-0393 0	1 - 21	178 021-0553 0	3 - 7	706 360-6423 0	6 - 64
124 102-1112 0	5 - 16	178 021-0553 0	6 - 34	706 360-6793 0	6 - 67
124 104-4663 0	5 - 24	610 320-2743 0	6 - 73	706 360-6897 0	6 - 68
124 113-0553 0	5 - 1	610 434-5003 1	6 - 61	706 360-6943 0	6 - 69
124 114-0553 0	5 - 2	706 040-0276 0	3 - 24	706 360-7076 0	6 - 70
124 115-0553 0	5 - 3	706 040-3176 0	3 - 23	706 360-7145 0	6 - 71
124 116-0553 0	5 - 4	706 040-31A6 0	3 - 23A	706 360-7243 0	6 - 72
124 118-4723 0	5 - 6	706 040-3356 0	3 - 25	706 360-7645 0	6 - 76
124 121-4663 0	5 - 17	706 330-2055 0	3 - 20	706 360-8076 0	6 - 80
124 122-4663 0	5 - 22	706 330-2105 0	3 - 21	706 360-9005 0	6 - 90
124 123-4663 1	5 - 21	706 330-2656 1	3 - 26	706 360-9776 0	6 - 97
124 130-1112 0	5 - 14	706 330-2797 0	3 - 27	706 361-0103 0	6 - 101
124 131-0593 0	5 - 15	706 330-2887 0	3 - 28	706 410-2995 0	1 - 29
124 132-4663 0	5 - 18	706 330-3609 0	3 - 36	706 410-3193 0	1 - 31
124 133-1112 0	5 - 23	706 340-0746 0	4 - 7	706 410-3393 0	1 - 33
124 146-4663 0	5 - 9	706 340-0895 0	4 - 8	706 410-4245 0	1 - 42
124 147-4663 0	5 - 7	706 340-0986 0	4 - 9	706 420-3109 0	2 - 31
124 149-4663 0	5 - 11	706 340-1353 2	4 - 13	706 430-4076 0	3 - 40
124 151-1302 0	5 - 10	706 340-1445 0	4 - 14	706 440-2395 0	4 - 23
124 159-4663 0	5 - 13	706 340-1545 0	4 - 15	706 440-3345 0	4 - 33
124 160-1112 0	5 - 12	706 340-2795 0	4 - 27	706 460-9868 0	6 - 98
129 011-0511 0	3 - 13	706 340-2945 0	4 - 29	706 460-9918 0	6 - 99
130 307-1032 1	3 - 12	706 340-3105 0	4 - 31	706 461-0245 0	6 - 102
130 311-0371 0	3 - 17	706 360-0177 0	6 - 1	706 461-0345 0	6 - 103
130 313-1072 0	3 - 18	706 360-0223 0	6 - 2	706 510-2809 0	1 - 28
130 319-0371 0	3 - 15	706 360-0397 0	6 - 3	706 520-3376 0	2 - 33
130 320-0581 0	3 - 10	706 360-0435 0	6 - 4	706 540-1353 0	4 - 13
132 010-2203 0	3 - 39	706 360-0647 0	6 - 6	706 540-2845 0	4 - 28
132 013-0036 0	3 - 38	706 360-0648 0	6 - 105	895 112-0033 0	6 - 91
132 200-0051 2	3 - 37	706 360-0847 0	6 - 8	897 518-0113 1	6 - 92
156 114-0492 0	2 - 8	706 360-0975 0	6 - 9	900 100-1002 0	4 - 37
159 017-1643 1	2 - 3	706 360-1593 0	6 - 15	900 105-0606 0	3 - 33
162 010-2933 0	2 - 32	706 360-1857 0	6 - 18	900 106-0501 2	4 - 26
162 010-4163 0	2 - 32	706 360-3218 1	6 - 32	900 142-0502 5	6 - 16
162 010-4733 0	2 - 16	706 360-3377 0	6 - 33	900 142-0502 8	6 - 59
175 009-4223 1	2 - 10	706 360-3503 0	6 - 35	900 162-0501 2	3 - 31
175 018-4223 0	2 - 11	706 360-3674 0	6 - 36	900 162-0502 0	1 - 3
175 046-0623 0	2 - 12	706 360-4077 0	6 - 40	900 162-0502 0	2 - 5
175 048-0392 0	2 - 14	706 360-41A4 0	6 - 41A	900 162-0503 5	1 - 23
175 049-0392 0	2 - 15	706 360-4223 0	6 - 42	900 220-0300 6	5 - 19
177 218-4063 0	2 - 20	706 360-4446 0	6 - 44	900 220-0401 6	5 - 20
177 220-0631 0	2 - 38	706 360-4695 0	6 - 46	900 238-0501 4	1 - 41
177 226-0631 0	2 - 39	706 360-4746 0	6 - 47	900 238-0501 4	3 - 35
177 227-4203 0	2 - 40	706 360-4944 0	6 - 49	900 238-0502 0	1 - 26

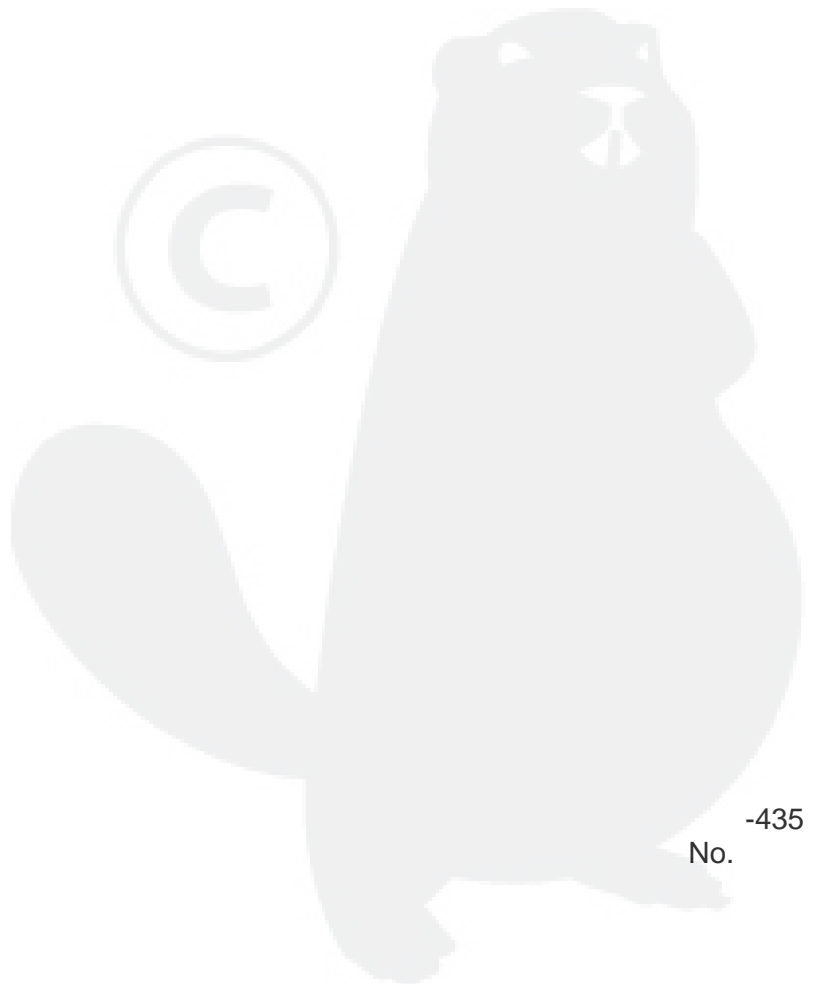
Index

Patrs Number	Key No.	Patrs Number	Key No.	Patrs Number	Key No.
900 238-0503 0	3 - 3	A162-000020	1 - 38		
900 239-0502 2	1 - 36	A172-000140	1 - 25		
900 239-0502 2	2 - 42	A172-000221	1 - 25		
900 241-0400 8	1 - 40	A200-000110	3 - 2		
900 242-0401 0	3 - 14	A201-000000	3 - 5		
900 242-0401 0	4 - 34	A226-000150	3 - 16		
900 242-0501 0	6 - 60	A300-000320	3 - 30		
900 242-0501 2	4 - 12	A320-000070	3 - 34		
900 242-0501 4	4 - 24	A409-000060	2 - 51		
900 242-0501 4	6 - 48	A409-000061	2 - 51		
900 242-0502 0	6 - 81	A409-000062	2 - 51		
900 242-0503 0	6 - 75	A409-000063	2 - 51		
900 242-0503 5	6 - 45	A411-000050	2 - 6		
900 300-2002 2	6 - 74	A426-000000	2 - 2		
900 500-0000 5	6 - 43	A427-000000	2 - 1		
900 502-0000 8	2 - 21	A556-000150	1 - 45		
900 519-0001 0	2 - 13	A556-000151	1 - 45		
900 600-0000 5	5 - 8	P004-000130	5 - 5		
900 600-0000 5	6 - 13	P021-002460	1 - 9		
900 600-0001 0	4 - 35	P021-002471	1 - 16		
900 605-0000 5	6 - 14	P021-005910	2 - 49		
900 605-0001 0	4 - 36	P021-007170	1 - 9		
900 701-0001 2	1 - 48	P021-007171	1 - 9		
900 702-0002 5	6 - 55	P022-002080	2 - 37		
900 702-0002 8	1 - 46	P022-002090	2 - 19		
900 702-0003 2	6 - 66	P022-002100	2 - 18		
900 706-0000 9	6 - 54	V100-000040	1 - 4		
900 706-0001 2	6 - 63	V102-000001	1 - 20		
900 720-0001 8	6 - 7	V103-000070	3 - 1		
900 800-0060 9	6 - 57	V103-000170	3 - 4		
900 803-0060 9	6 - 56	V104-000210	3 - 29		
900 807-0600 1	1 - 47	V141-000020	2 - 4		
900 810-0620 1	6 - 65	V150-000550	3 - 32		
900 810-3620 2	1 - 19	V307-000060	1 - 14		
900 814-0062 7	6 - 17	V353-000020	1 - 37		
900 814-0620 2	4 - 30	V450-000180	4 - 25		
900323-03014	2 - 50	V450-000330	4 - 25		
94035-36201	1 - 18	V485-000150	2 - 16		
A011-000120	1 - 15	V555-000010	1 - 13		
A011-000330	1 - 15	V608-000000	1 - 11		
A020-000011	3 - 8				
A020-000011	5 -				
A051-000070	2 - 35				
A052-000010	2 - 17				
A052-000011	2 - 17				
A130-000290	1 - 2				
A130-000291	1 - 2				
A130-000292	1 - 2				
A160-000241	1 - 39				

YAMABIKO CORPORATION

7-2 SUEHIROCHO 1-CHOME, OHME, TOKYO 198-8760, JAPAN
PHONE: 81-428-32-6118. FAX: 81-428-32-6145.

ECHO®



-435
No.