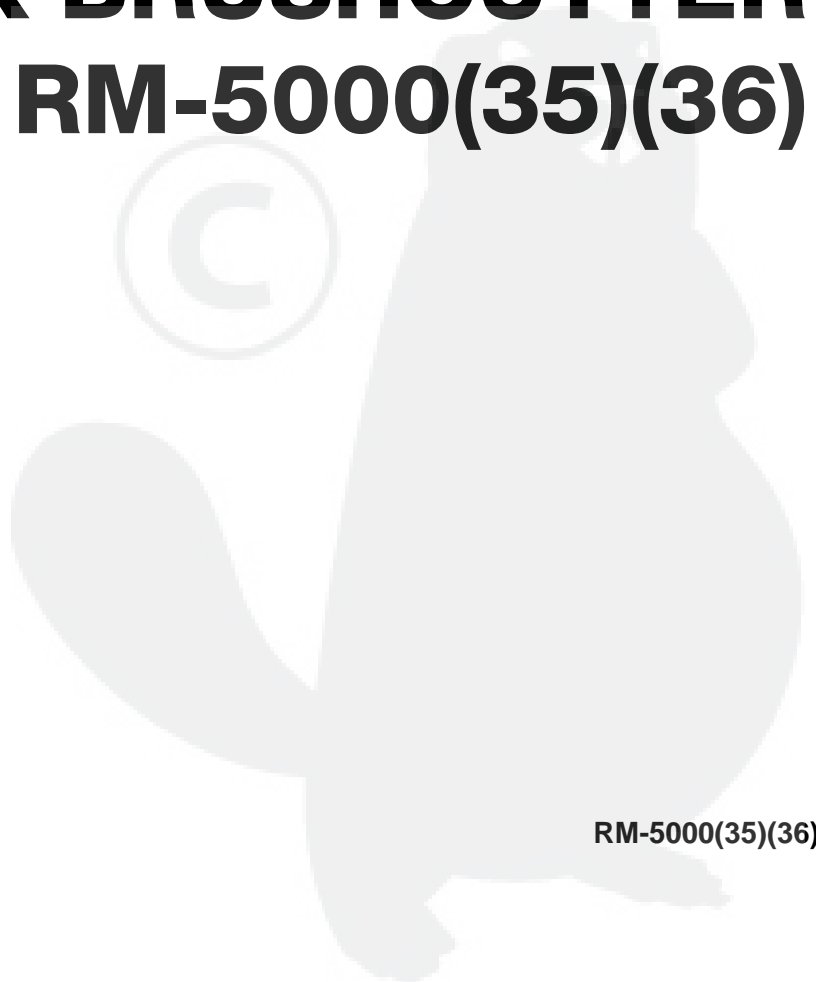




PARTS CATALOG

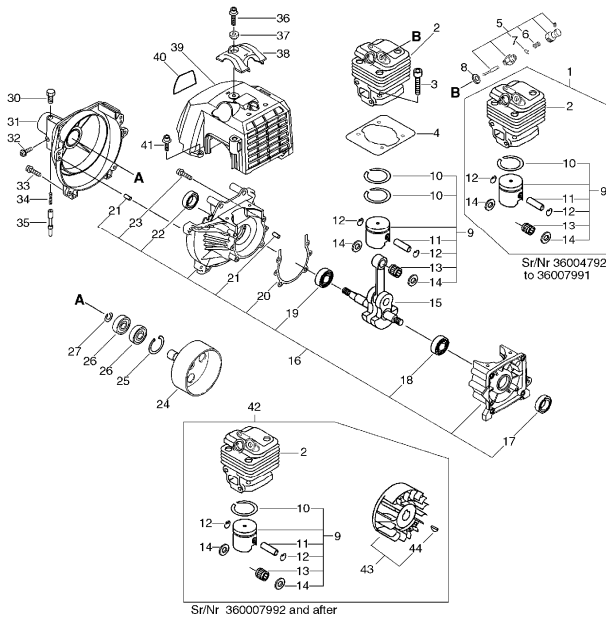
BACKPACK BRUSHCUTTER

RM-5000(35)(36)



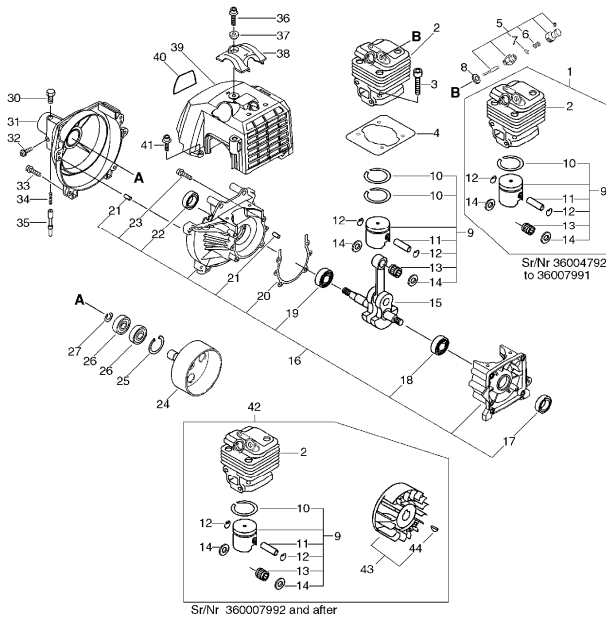
RM-5000(35)(36)

1. Cylinder, Crankcase, Piston, Fan Cover



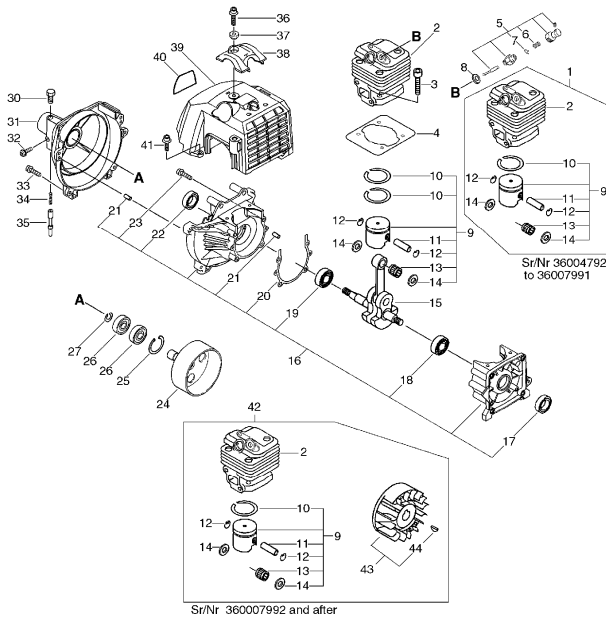
KEY	LV	PART NUMBER	Q'TY	DESCRIPTION	REMARKS	NOTE1	NOTE2
1		P021-009691	1	CYLINDER,PISTON KIT		Sus. by P021-009693	
1		P021-009692	1	CYLINDER,PISTON KIT		Sus. by P021-009693	
1		P021-009693	1	CYLINDER,PISTON KIT		Sr/Nr 36004792 to 36007991	
2	+	A130-000710	1	CYLINDER		Sus. by A130-000711	
2	+	A130-000711	1	CYLINDER		Sus. by P021-011170	
9	+	P021-009681	1	PISTON KIT		Sus. by P021-009682	
9	+	P021-009682	1	PISTON KIT			
10	++	A101-000070	1	RING,PISTON			
11	++	V608-000000	1	PIN,ENG 10			
12	++	V580-000010	2	RING,END	φ0.8		
13	++	100012-12331	1	BEARING, NEEDLE			
14	++	V307-000060	2	WASHER,CIRCULAR 10			
42		P021-011170	1	PISTON,CYL,MAG KIT		Sr/Nr 36007992 and after	Sus. by P021-011171

1. Cylinder, Crankcase, Piston, Fan Cover



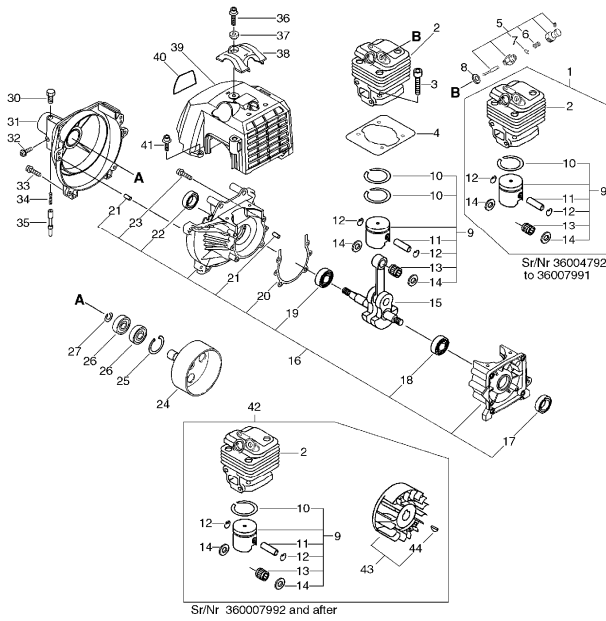
KEY	LV	PART NUMBER	Q'TY	DESCRIPTION	REMARKS	NOTE1	NOTE2
2	+	A130-000810	1	CYLINDER		Sr/Nr 36001836 and after Sus. by A130-000860	
9	+	P021-011150	1	PISTON KIT		Sr/Nr 36001836 and after	
10	++	A101-000070	1	RING,PISTON		Sr/Nr 36001836 and after	
11	++	V608-000000	1	PIN,ENG 10		Sr/Nr 36001836 and after	
12	++	V580-000010	2	RING,END	φ0.8	Sr/Nr 36001836 and after	
13	++	100012-12331	1	BEARING, NEEDLE		Sr/Nr 36001836 and after	
14	++	V307-000060	2	WASHER,CIRCULAR 10		Sr/Nr 36001836 and after	
43	+	P021-011160	1	ROTOR,MAGNETO KIT		Sr/Nr 36001836 and after	
44	++	900323-03014	1	KEY WOODRUFF	3*14	Sr/Nr 36001836 and after	
2		A130-000271	1	CYLINDER		Sr/Nr 35003685 and before	
2		A130-000480	1	CYLINDER		Sr/Nr 35003686 to 35999999	

1. Cylinder, Crankcase, Piston, Fan Cover



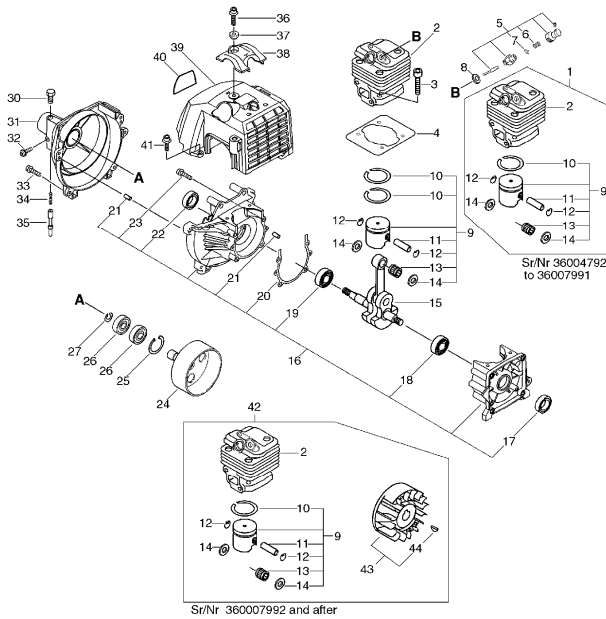
KEY	LV	PART NUMBER	Q'TY	DESCRIPTION	REMARKS	NOTE1	NOTE2
2		A130-000451	1	CYLINDER		Sr/Nr 36000001 to 36004791	
2		A130-000710	1	CYLINDER		Sus. by A130-000711	
2		A130-000711	1	CYLINDER		Sr/Nr 36004791 and before	
4		V100-000040	1	GASKET,CYL			
5		A014-000000	1	DECOMP,ASM			
6	+	101113-37530	1	SPRING			
7	+	P022-002110	1	CLIP			
8		159025-37530	1	GASKET			
9		P021-003561	1	PISTON KIT		Sr/Nr 35003685 and before	
9		P021-005000	1	PISTON KIT		Sus. by P021-005001	
9		P021-005001	1	PISTON KIT		Sr/Nr 35003685 to 36004791	
9		P021-009681	1	PISTON KIT		Sr/Nr 36004791 and before	
9	+	P021-009682	1	PISTON KIT		Sr/Nr 36004791 and before	
10	+	A101-000050	2	RING,PISTON		Sr/Nr 36004791 and before	

1. Cylinder, Crankcase, Piston, Fan Cover



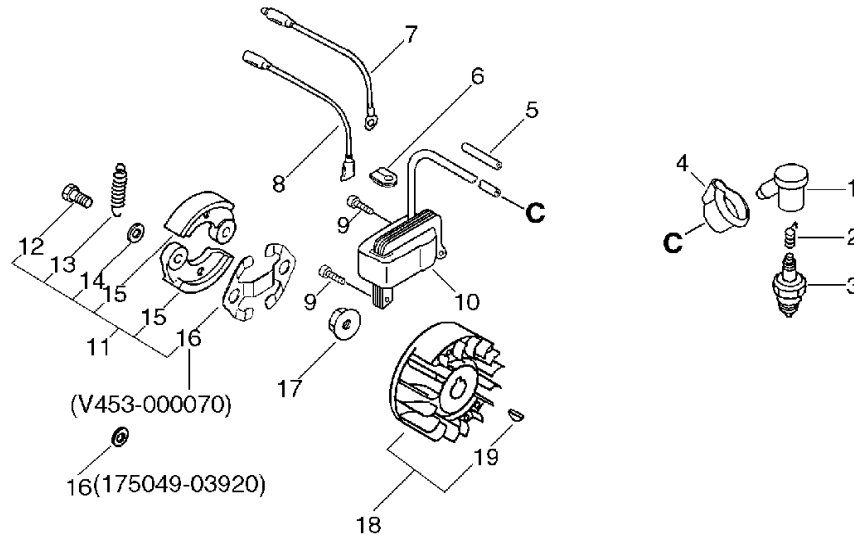
KEY	LV	PART NUMBER	Q'TY	DESCRIPTION	REMARKS	NOTE1	NOTE2
10	+	A101-000070	2	RING,PISTON		Sr/Nr 36004791 and before	
10	+	A101-000070	1	RING,PISTON		Sr/Nr 36004791 and before	
11	+	V608-000000	1	PIN,ENG 10		Sr/Nr 36004791 and before	
12	+	100015-00120	2	CIRCLIP, PISTON PIN		Sr/Nr 36004791 and before	
12	+	V580-000010	2	RING,END	φ0.8	Sr/Nr 36004791 and before	
13	+	100012-12331	1	BEARING, NEEDLE		Sr/Nr 36004791 and before	
14	+	V307-000060	2	WASHER,CIRCULAR 10		Sr/Nr 36004791 and before	
15		A011-000120	1	CRANKSHAFT,ASM			
16		P021-002470	1	CRANKCASE SET		Sus. by P021-002471	
16		P021-002471	1	CRANKCASE SET			
17	+	100213-05530	1	OILSEAL	ISCD 12 22 7		
18	+	94035-36201	1	BEARING BALL	6201X3JR2C3		
19	+	900810-36202	1	BEARING, BALL 6202	6202/C3		
20	+	V102-000000	1	GASKET,CRANKCASE		Sus. by V102-000001	
20	+	V102-000001	1	GASKET,CRANKCASE			
21	+	100215-03930	4	PIN, DOWEL			
22	+	100213-00310	1	OILSEAL	ISCD 15 25 7		

1. Cylinder, Crankcase, Piston, Fan Cover



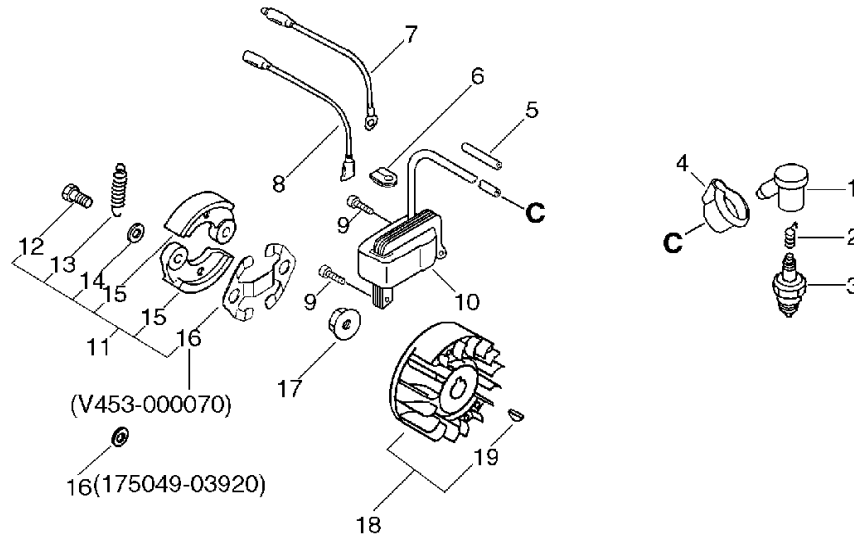
KEY	LV	PART NUMBER	Q'TY	DESCRIPTION	REMARKS	NOTE1	NOTE2
23	+	900162-05035	4	BOLT, H.S. 5*35	5*35 W,SW		
24		A556-000150	1	DRUM,CLUTCH		Sus. by A556-000151	
24		A556-000151	1	DRUM,CLUTCH			
25		900702-00028	1	CIRCLIP 28	CR-28		
26		94042-06001	2	BEARING BALL	6001LLU		
27		900701-00012	1	CIRCLIP 12	CS-12		
30		610250-45930	1	BOLT			
31		A172-000140	1	COVER,FAN			
32		900241-04008	1	SCREW 4*8	4*8		
33		900162-05020	4	BOLT, H.S. 5*20	5*20 W,SW	Sus. by 91118-05020	
34		610251-45930	1	SPRING			
35		610252-45931	1	LOCKPIN			
36		900106-05020	1	BOLT, H.S. 5*20	5*20	Sus. by 91121-05020	
37		V353-000020	1	COLLAR,5	12*5.5*4.5L		
38		A162-000020	1	GUARD, TOP			
39		A160-000240	1	COVER,CYLINDER		Sus. by A160-000241	
39		A160-000241	1	COVER,CYLINDER			
40		X503-002870	1	LABEL,MODEL	RM-5000	Sus. by X547-001090	
41		900106-05012	1	BOLT, H.S. 5*12	5*12	Sus. by 91121-05012	

2. Magneto, Clutch



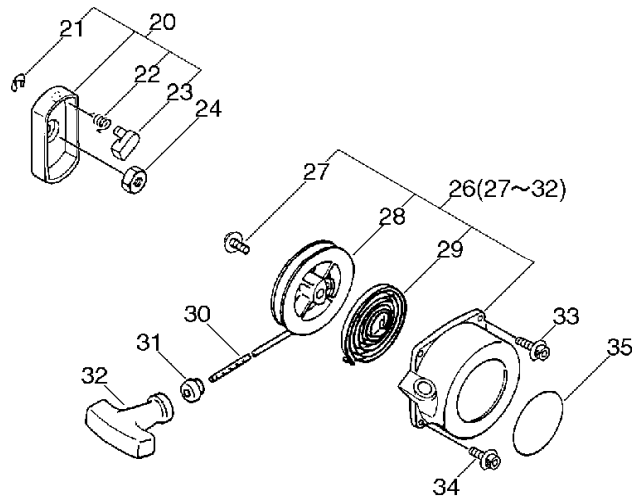
KEY	LV	PART NUMBER	Q'TY	DESCRIPTION	REMARKS	NOTE1	NOTE2
1		A427-000000	1	CAP, SPARK PLUG			
2		A426-000000	1	TERMINAL, SPARK PLUG			
3		159017-31730	1	PLUG, SPARK RCJ-6Y	RCJ-6Y		
4		V141-000020	1	GROMMET, PLUG			
5		V475-001610	1	TUBE	7*8.6*55 HST-10		
6		156114-04920	1	GROMMET			
7		162010-29330	1	LEAD, GROUND			
8		V485-000150	1	LEAD			
9		900162-05020	2	BOLT, H.S. 5*20	5*20 W,SW		
10		A411-000050	1	COIL, IGNITION			
11		P021-002480	1	CLUTCH ASY		Sus. by P021-008190	
11		P021-002481	1	CLUTCH ASY		Sus. by P021-008190	
11		P021-008190	1	CLUTCH ASY			
12	+	A557-000000	2	SHAFT, CLUTCH			
13	+	V451-000230	1	SPRING, TENSION		Sus. by V451-000480	
13	+	V451-000480	1	SPRING, TENSION			
14	+	V346-000000	2	WASHER, WAVE		Sr/Nr 36001340 and before	
14	+	175048-03920	2	WASHER		Sr/Nr 36001341 and after	
15	+	A553-000030	2	ARM, CLUTCH		Sr/Nr 36001340 and before	

2. Magneto, Clutch



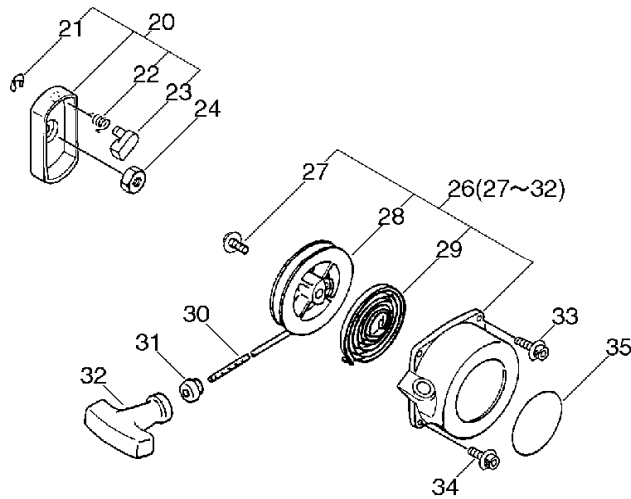
KEY	LV	PART NUMBER	Q'TY	DESCRIPTION	REMARKS	NOTE1	NOTE2
15	+	A553-000040	2	ARM,CLUTCH		Sr/Nr 36001341 and after	
16	+	175049-03920	2	WASHER		Sr/Nr 36001340 and before	
16	+	V453-000070	1	SPRING,FLAT		Sr/Nr 36001341 and after	
17		900519-00010	1	NUT, FLANGE 10	10*1.25		
18		A409-000060	1	ROTOR,MAGNETO		Sus. by P021-005911	
18		A409-000061	1	ROTOR,MAGNETO		Sus. by P021-005911	
18		P021-005910	1	ROTOR,MAGNETO KIT		Sus. by P021-005911	
18		P021-005911	1	ROTOR,MAGNETO KIT		Sr/Nr 36004792 to 36007991	
19	+	900323-03014	1	KEY WOODRUFF	3*14	Can be used on P021-005910,005911	

3. Starter(Sr/Nr 36010675 and before)



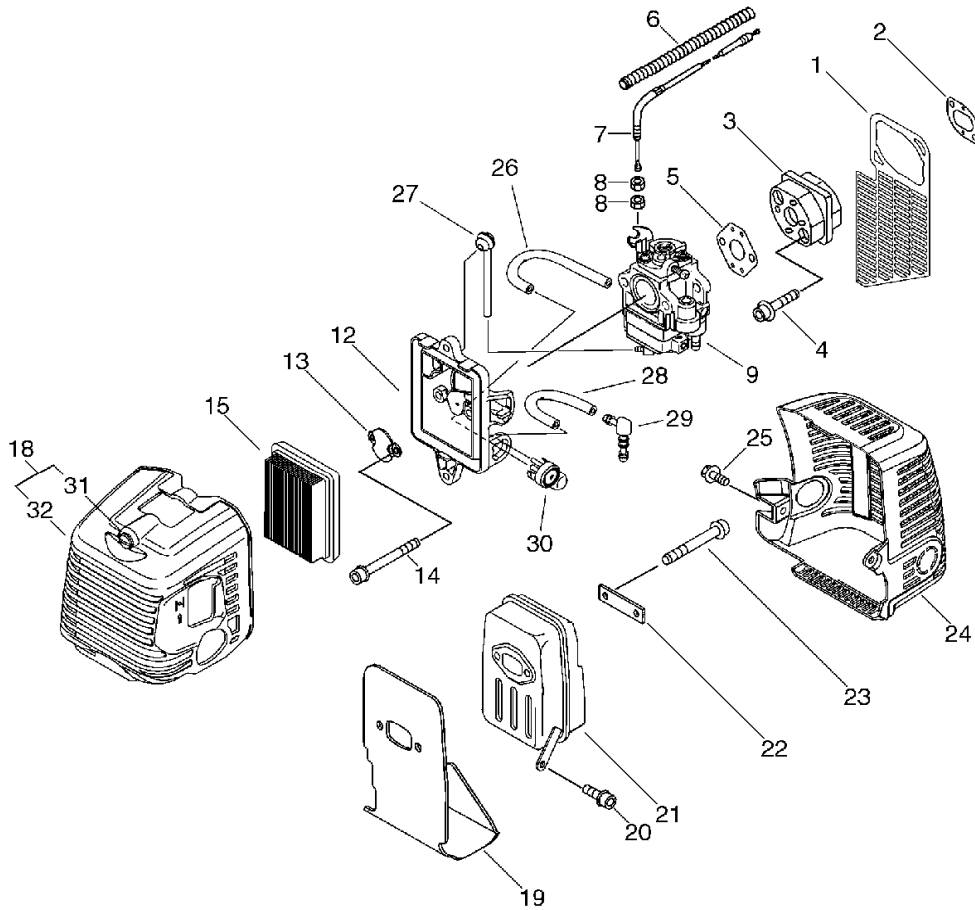
KEY	LV	PART NUMBER	Q'TY	DESCRIPTION	REMARKS	NOTE1	NOTE2
20		A052-000010	1	PULLEY,ASM STARTER		Sus. by A052-000011	
20		A052-000011	1	PULLEY,ASM STARTER			
21	+	P022-002100	1	E-RING	4		
22	+	P022-002090	1	SPRING, RETURN	A0522160050		
23	+	177218-40630	1	PAWL, STARTER	WHITE		
24		900502-00008	1	NUT 8 (3N)	3N8		
26		A051-000070	1	STARTER,RECOIL			
27	+	177236-06910	1	SCREW			
28	+	P022-002080	1	DRUM, STARTER			
29	+	177220-06310	1	SPRING, REWIND			
30	+	177226-06310	1	ROPE, STARTER	3.8*1150		
31	+	177227-42030	1	GUIDE, ROPE			
32	+	177228-27030	1	GRIP, STARTER			
33		900106-05020	2	BOLT, H.S. 5*20	5*20	Sus. by 91121-05020	
34		900106-05025	2	BOLT, H.S. 5*25	5*25	Sus. by 91121-05025	
35		890118-17930	1	LABEL, ECHO		Sus. by X502-000460	

4. Starter(Sr/Nr 36010676 and after)



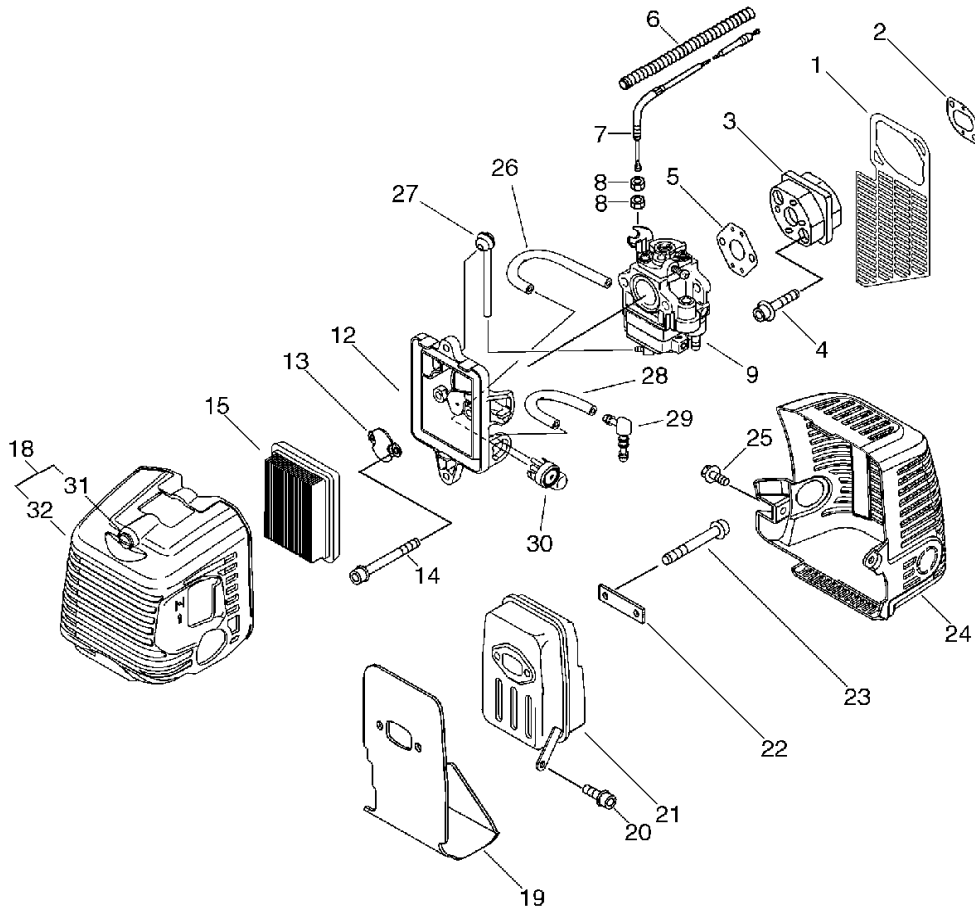
KEY	LV	PART NUMBER	Q'TY	DESCRIPTION	REMARKS	NOTE1	NOTE2
20		A052-000011	1	PULLEY,ASM STARTER			
21	+	P022-002100	1	E-RING	4		
22	+	P022-002090	1	SPRING, RETURN	A0522160050		
23	+	177218-40630	1	PAWL, STARTER	WHITE		
24		900502-00008	1	NUT 8 (3N)	3N8		
26		A051-000070	1	STARTER,RECOIL			
27	+	177236-06910	1	SCREW			
28	+	P022-002080	1	DRUM, STARTER			
29	+	177220-06310	1	SPRING, REWIND			
30	+	177226-06310	1	ROPE, STARTER	3.8*1150		
31	+	177227-42030	1	GUIDE, ROPE			
32	+	177228-27030	1	GRIP, STARTER			
33		900106-05020	2	BOLT, H.S. 5*20	5*20	Sus. by 91121-05020	
33		91121-05020	2	BOLT, FLANGE	10.9 SILVER		
34		900106-05025	2	BOLT, H.S. 5*25	5*25	Sus. by 91121-05025	
34		91121-05025	2	BOLT, FLANGE	10.9 SILVER		
35		890118-17930	1	LABEL, ECHO		Sus. by X502-000460	
35		X502-000460	1	LABEL, ECHO			

5. Air Cleaner, Muffler(Sr/Nr 36010675 and before)



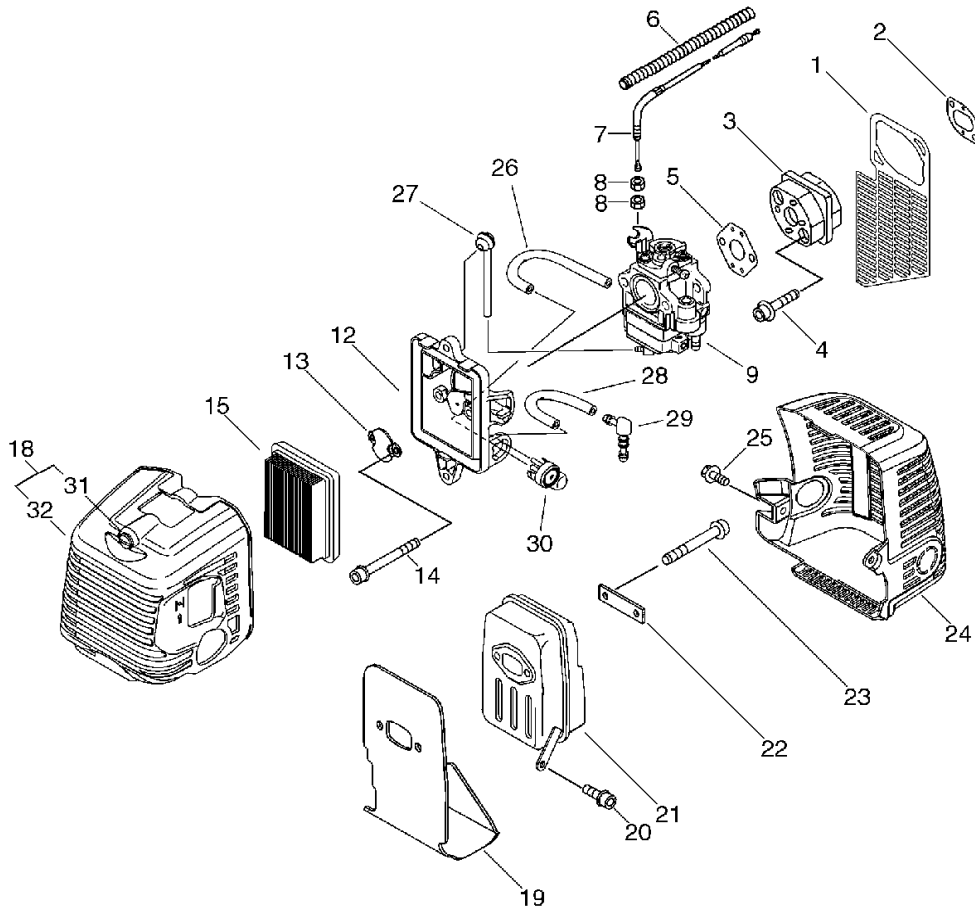
KEY	LV	PART NUMBER	Q'TY	DESCRIPTION	REMARKS	NOTE1	NOTE2
1		A128-000060	1	PLATE,DUST		Sr/Nr 36001759 and after	
2		V103-000070	1	GASKET,INTAKE			
3		A200-000060	1	INSULATOR,INTAKE			
4		900106-05025	2	BOLT, H.S. 5*25	5*25		
5		V103-000080	1	GASKET,INTAKE			
6		178127-06960	1	TUBE	7*150	Sus. by V475-001510	
6		V475-001510	1	TUBE			
7		V430-000310	1	CABLE,BOWDEN	L320*28		
8		900502-00006	2	NUT 6 (3N)	3N6		
9		A021-000340	1	CARBURETOR,DIAPHRAGM		Sus. by A021-000341	
9		A021-000341	1	CARBURETOR,DIAPHRAGM	WYK-158A	Sr/Nr 35999999 and before	
9		A021-000591	1	CARBURETOR,DIAPHRAGM	WYK-173A	Sus. by A021-001030	
9		A021-001030	1	CARBURETOR,DIAPHRAGM	WYK-216	Sr/Nr 36000001 to 36004557	
9		A021-001160	1	CARBURETOR,DIAPHRAGM	WYK-227	Sr/Nr 36004558 and after	
10		A235-000060	1	KNOB,CLEANER LID		Sr/Nr 36004557 and before	
11		J485-000030	1	HINGE		Sr/Nr 36004557 and before	

5. Air Cleaner, Muffler(Sr/Nr 36010675 and before)



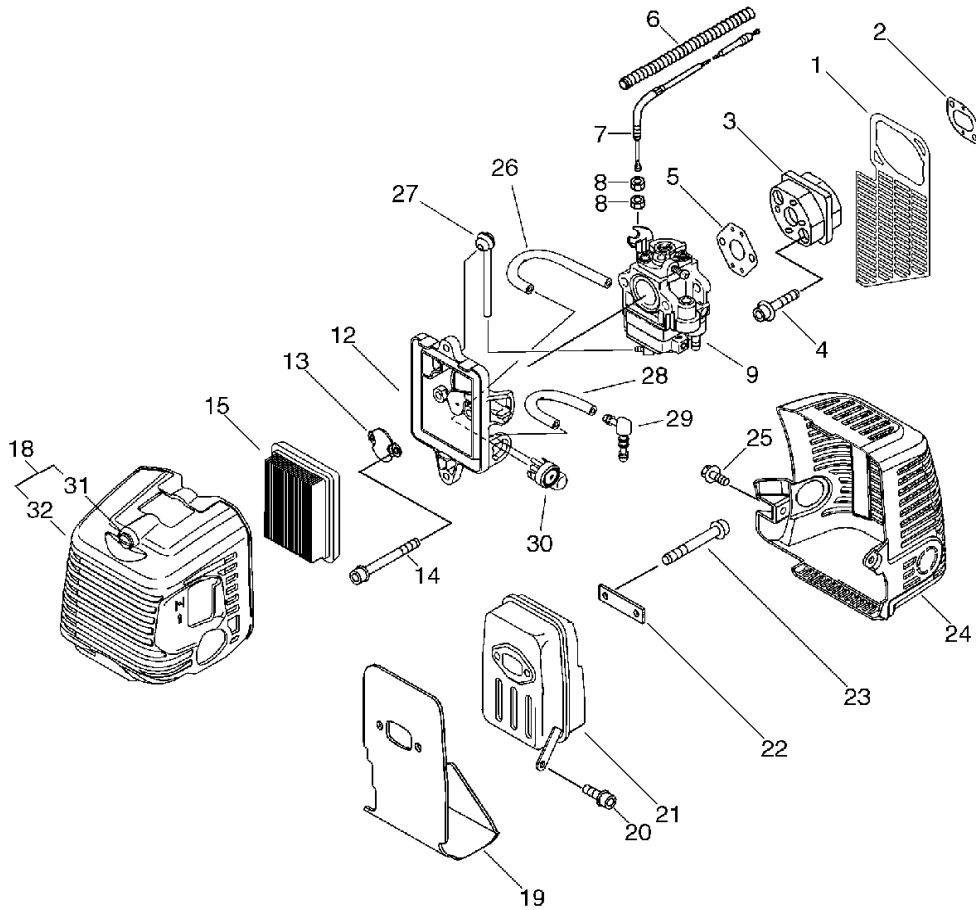
KEY	LV	PART NUMBER	Q'TY	DESCRIPTION	REMARKS	NOTE1	NOTE2
12		P021-002490	1	CASE, AIR CLEANER		Sus. by P021-002491	
12		P021-002491	1	CASE, AIR CLEANER		Sr/Nr 36004557 and before	
12		P021-009590	1	CASE, AIR CLEANER		Sr/Nr 36004558 and after	
13		A244-000010	1	PLATE, PREVENT			
14		900105-05055	2	BOLT, H.S. 5*55	5*55		
15		A226-000080	1	ELEMENT, AIR FILTER		Sus. by A226-000220	
15		A226-000220	1	ELEMENT, AIR FILTER		Sr/Nr 36004557 and before	
15		A226-000320	1	ELEMENT, AIR FILTER		Sr/Nr 36004558 and after	Sus. by A226-000360
16		900253-04008	1	SCREW 4*8	4*8	Sr/Nr 36004557 and before	
17		A323-000000	1	PIECE, COVER		Sr/Nr 36004557 and before	
18		A232-000090	1	LID, CLEANER		Sus. by A232-000300	
18		A232-000091	1	LID, CLEANER		Sus. by A232-000300	
18		A232-000300	1	LID, CLEANER		Sr/Nr 36004557 and before	

5. Air Cleaner, Muffler(Sr/Nr 36010675 and before)



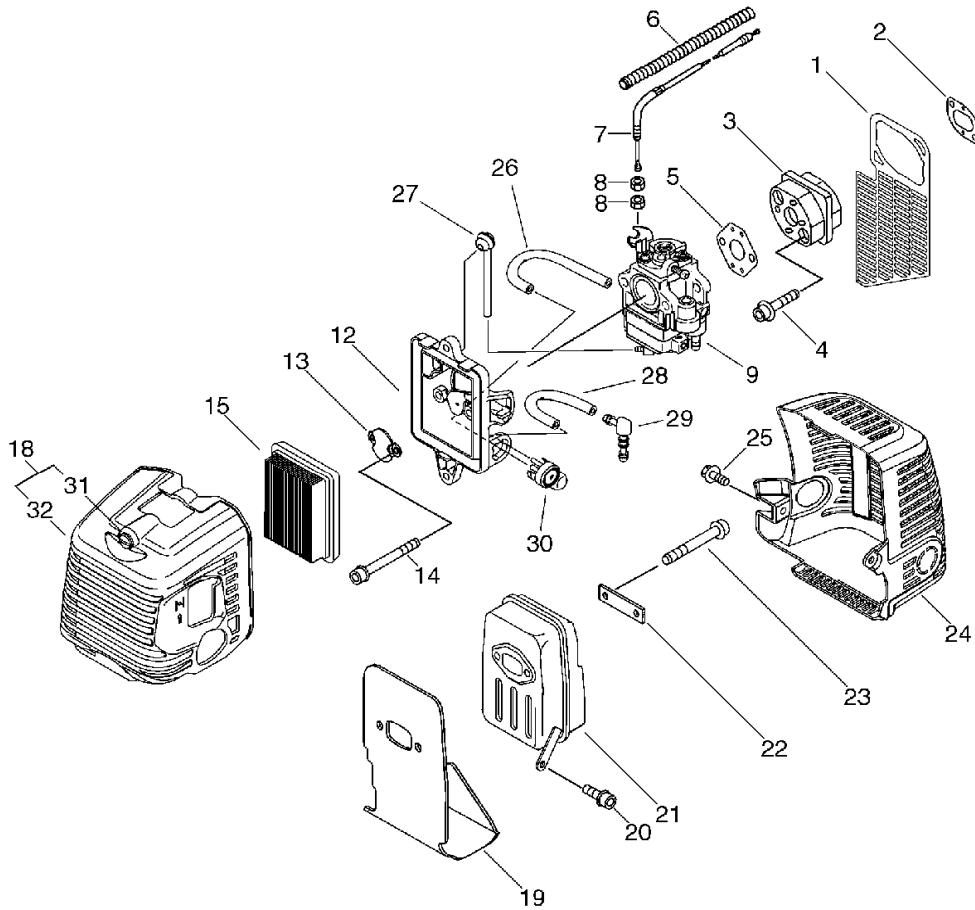
KEY	LV	PART NUMBER	Q'TY	DESCRIPTION	REMARKS	NOTE1	NOTE2
18		P021-009600	1	LID,CLEANER ASY		Sr/Nr 36004558 and after	
31	+	V253-000100	2	SCREW,5	5*20	Can be used on P021-009600 only	
32	+	A232-000320	1	LID,CLEANER		Can be used on P021-009600 only	
19		V104-000210	1	GASKET,EXHAUST			
20		900162-05012	1	BOLT, H.S. 5*12	5*12 W,SW		
21		A300-000180	1	MUFFLER,EXHAUST		Sus. by P021-008910	
21		P021-008910	1	MUFFLER ASY			
22		V150-000550	1	PLATE,EYE			
23		900105-06060	2	BOLT, H.S. 6*60	6*60		
24		A320-000070	1	COVER,MUFFLER		Sus. by A320-000071	
25		900106-05012	1	BOLT, H.S. 5*12	5*12	Sus. by 91121-05012	
26		V471-001560	1	PIPE	2.4*5*80	Sr/Nr 36004558 and after	
27		132012-39330	1	PIPE, W/GROMMET	L105 NBR	Sr/Nr 36004558 and after	Sus. by 132012-39331

5. Air Cleaner, Muffler(Sr/Nr 36010675 and before)



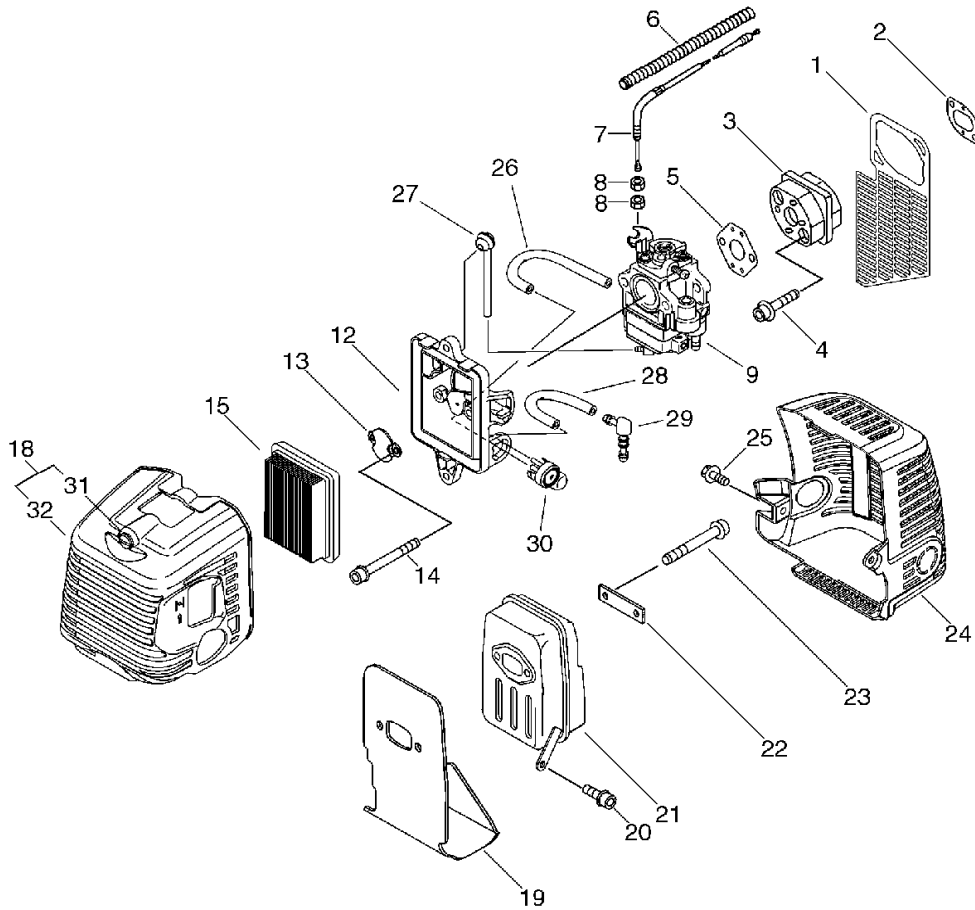
KEY	LV	PART NUMBER	Q'TY	DESCRIPTION	REMARKS	NOTE1	NOTE2
28		437215-20760	1	PIPE 3*6*60	3*6*60 YL	Sr/Nr 36004558 and after	
29		V186-000120	1	JOINT,PIPE	5.4	Sr/Nr 36004558 and after Sus. by V186-000080	
30		123181-39130	1	PUMP, PRIMER		Sr/Nr 36004558 and after	

6. Air Cleaner, Muffler(Sr/Nr 36010676 to 36015034)



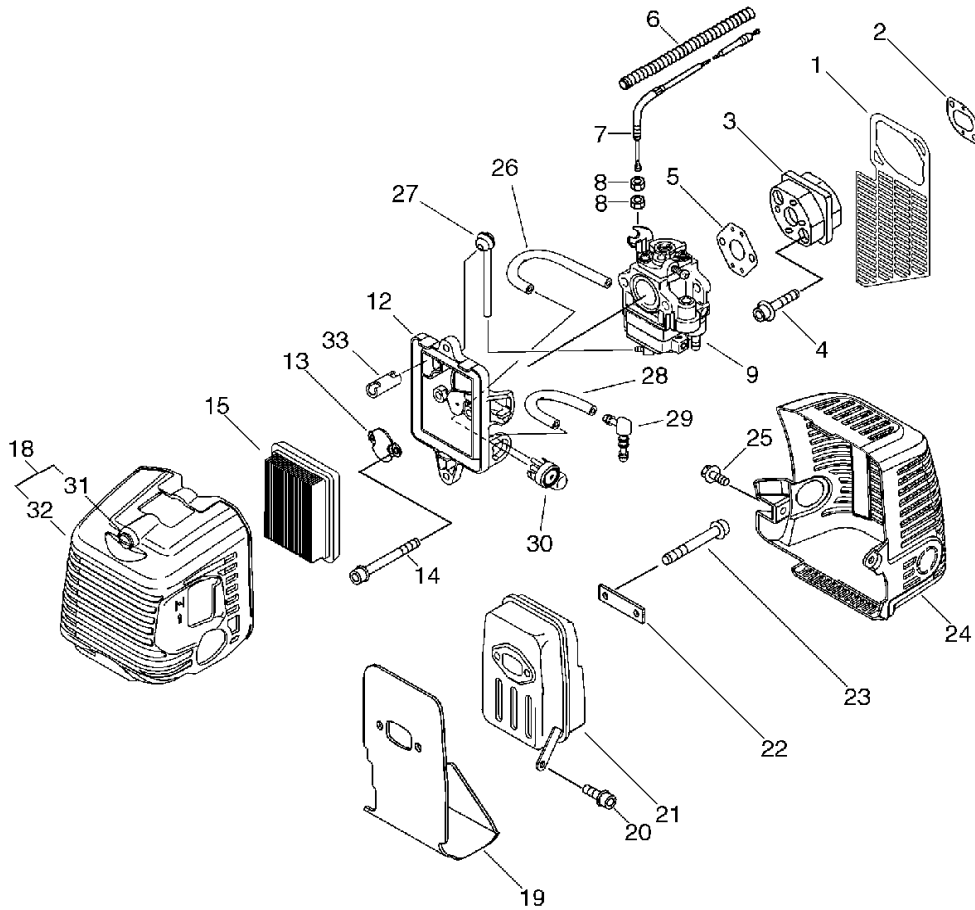
KEY	LV	PART NUMBER	Q'TY	DESCRIPTION	REMARKS	NOTE1	NOTE2
1		A128-000060	1	PLATE,DUST			
2		V103-000070	1	GASKET,INTAKE			
3		A200-000060	1	INSULATOR,INTAKE			
4		900106-05025	2	BOLT, H.S. 5*25	5*25		
5		V103-000080	1	GASKET,INTAKE			
6		V475-001510	1	TUBE			
7		V430-000310	1	CABLE,BOWDEN	L320*28		
8		900502-00006	2	NUT 6 (3N)	3N6		
9		A021-001160	1	CARBURETOR,DIAPHRAGM	WYK-227		
12		P021-009590	1	CASE, AIR CLEANER			
13		A244-000010	1	PLATE,PREVENT			
14		900105-05055	2	BOLT, H.S. 5*55	5*55		
15		A226-000320	1	ELEMENT, AIR FILTER		Sus. by A226-000360	
15		A226-000360	1	ELEMENT, AIR FILTER	AFP-2010K-300		
16		900253-04008	1	SCREW 4*8	4*8		
18		P021-009600	1	LID,CLEANER ASY			
31	+	V253-000100	2	SCREW,5	5*20		
32	+	A232-000320	1	LID,CLEANER			
19		V104-000210	1	GASKET,EXHAUST			
20		900162-05012	1	BOLT, H.S. 5*12	5*12 W,SW		
21		P021-008910	1	MUFFLER ASY			
22		V150-000550	1	PLATE,EYE			
23		900105-06060	2	BOLT, H.S. 6*60	6*60		
24		A320-000070	1	COVER,MUFFLER			

6. Air Cleaner, Muffler(Sr/Nr 36010676 to 36015034)



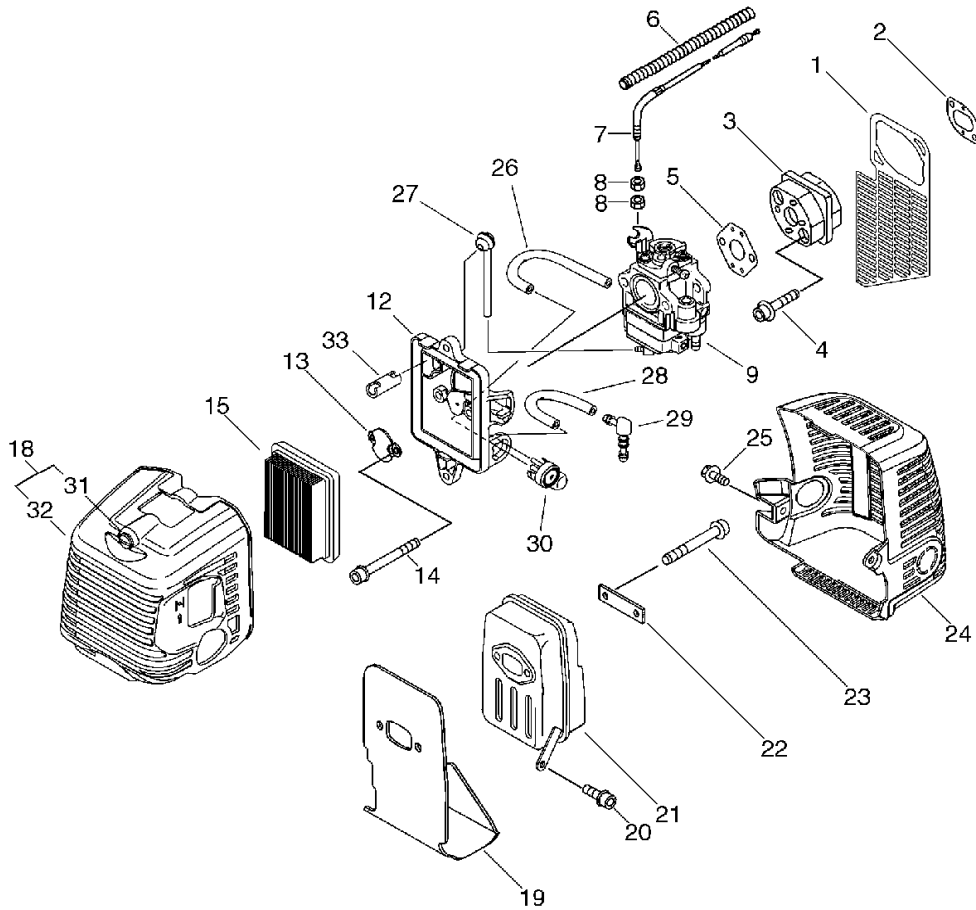
KEY	LV	PART NUMBER	Q'TY	DESCRIPTION	REMARKS	NOTE1	NOTE2
25		900106-05012	1	BOLT, H.S. 5*12	5*12	Sus. by 91121-05012	
25		91121-05012	1	BOLT, FLANGE	10.9 SILVER		
26		V471-001560	1	PIPE	2.4*5*80		
27		132012-39330	1	PIPE, W/GROMMET	L105 NBR	Sus. by 132012-39331	
27		132012-39331	1	PIPE	3*6*105		
28		437215-20760	1	PIPE 3*6*60	3*6*60 YL		
29		V186-000120	1	JOINT,PIPE	5.4	Sus. by V186-000080	
29		V186-000080	1	JOINT,PIPE			
30		123181-39130	1	PUMP, PRIMER			

7. Air Cleaner, Muffler(Sr/Nr 36015035 and after)



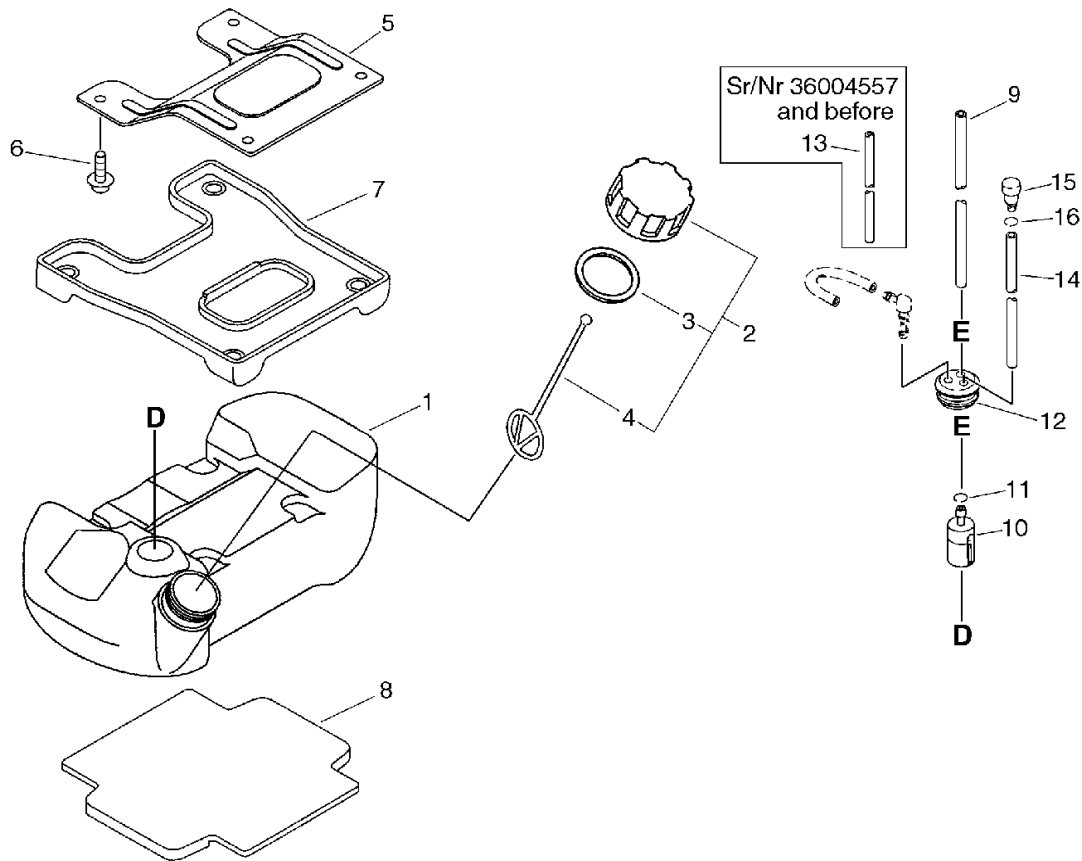
KEY	LV	PART NUMBER	Q'TY	DESCRIPTION	REMARKS	NOTE1	NOTE2
1		A128-000060	1	PLATE,DUST			
2		V103-000070	1	GASKET,INTAKE			
3		A200-000060	1	INSULATOR,INTAKE			
4		900106-05025	2	BOLT, H.S. 5*25	5*25		
5		V103-000080	1	GASKET,INTAKE			
6		V475-001510	1	TUBE			
7		V430-000310	1	CABLE,BOWDEN	L320*28		
8		900502-00006	2	NUT 6 (3N)	3N6		
9		A021-001160	1	CARBURETOR,DIAPHRAGM	WYK-227		
12		P021-009590	1	CASE, AIR CLEANER			
13		A244-000010	1	PLATE,PREVENT			
14		900105-05055	2	BOLT, H.S. 5*55	5*55		
15		A226-000360	1	ELEMENT, AIR FILTER	AFP-2010K-300		
16		900253-04008	1	SCREW 4*8	4*8		
18		P021-009600	1	LID,CLEANER ASY			
31	+	V253-000100	2	SCREW,5	5*20		
32	+	A232-000320	1	LID,CLEANER			
19		V104-000210	1	GASKET,EXHAUST			
20		900162-05012	1	BOLT, H.S. 5*12	5*12 W,SW		
21		P021-008910	1	MUFFLER ASY			
22		V150-000550	1	PLATE,EYE			
23		900105-06060	2	BOLT, H.S. 6*60	6*60		
24		A320-000071	1	COVER,MUFFLER			
25		91121-05012	1	BOLT, FLANGE	10.9 SILVER		
26		V471-001560	1	PIPE	2.4*5*80		

7. Air Cleaner, Muffler(Sr/Nr 36015035 and after)



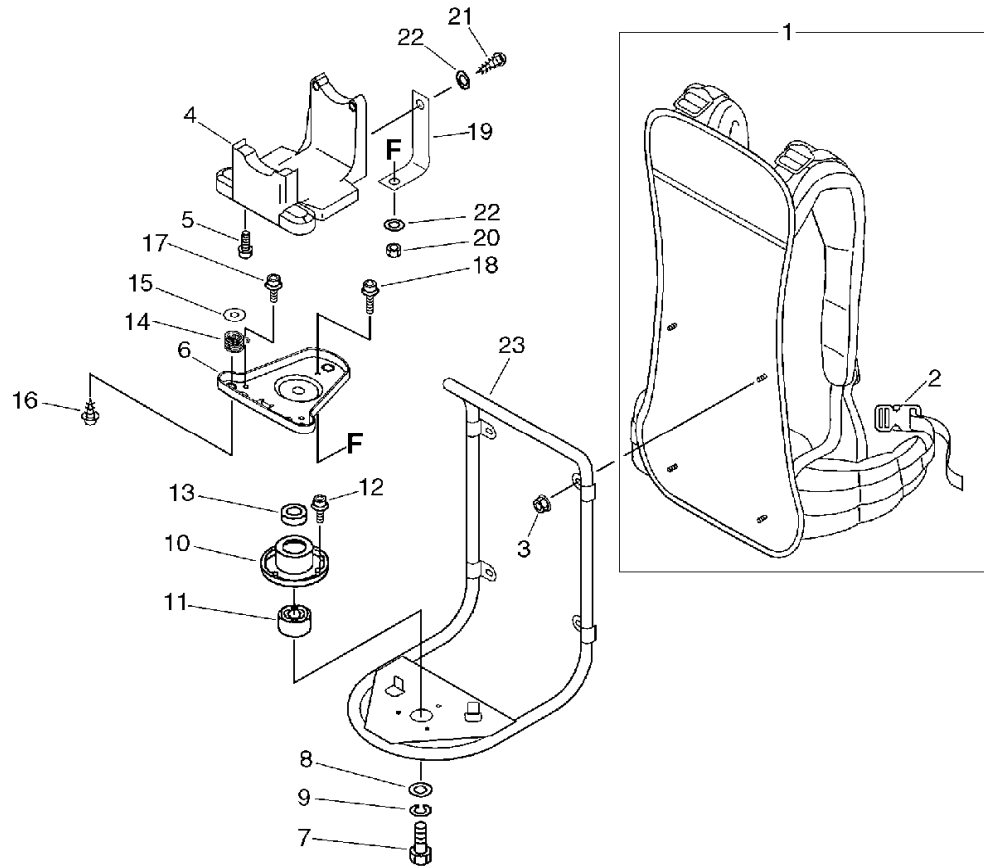
KEY	LV	PART NUMBER	Q'TY	DESCRIPTION	REMARKS	NOTE1	NOTE2
27		132012-39331	1	PIPE	3*6*105		
28		437215-20760	1	PIPE 3*6*60	3*6*60 YL		
29		V186-000080	1	JOINT, PIPE			
30		123181-39130	1	PUMP, PRIMER			
33		A239-000050	1	PIPE, INTAKE		Sr/Nr 36015035 and after	

8. Fuel Tank



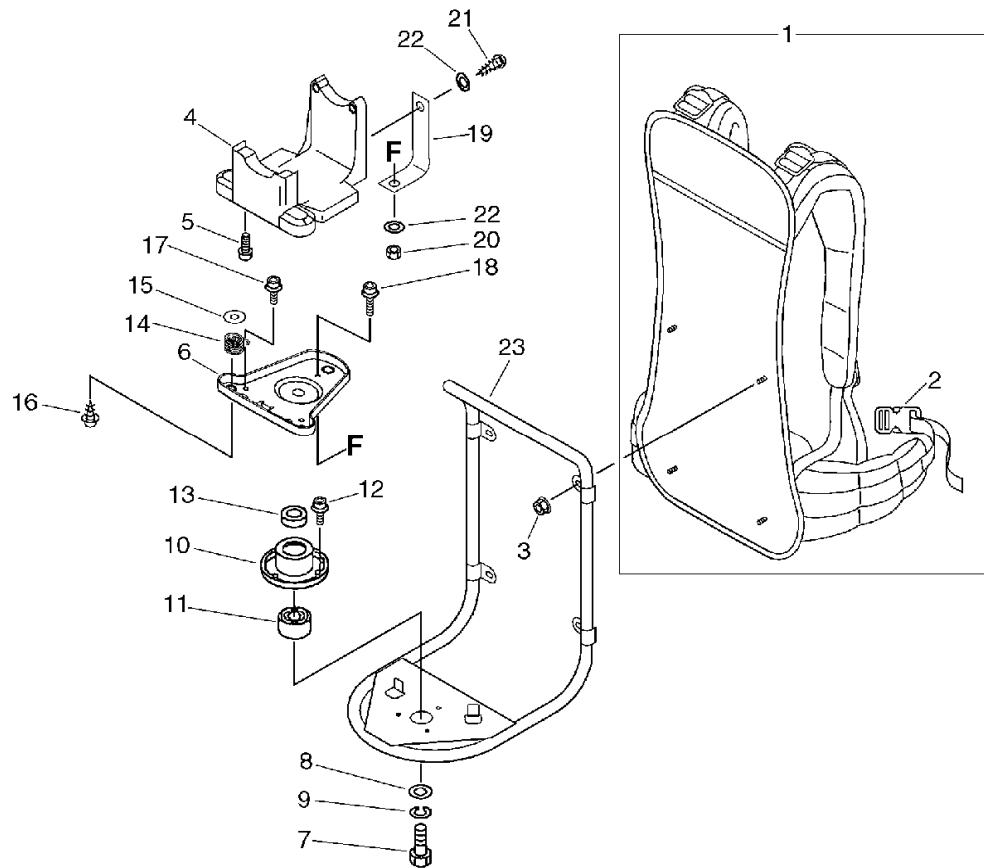
KEY	LV	PART NUMBER	Q'TY	DESCRIPTION	REMARKS	NOTE1	NOTE2
1		A350-000080	1	TANK,FUEL		Sus. by A350-000081	
1		A350-000081	1	TANK,FUEL			
2		131004-55530	1	CAP ASSY, FUEL TANK			
3	+	131016-55830	1	GASKET, FUEL CAP			
4	+	131051-56030	1	CLIP, FUEL CAP	100L		
5		A393-000030	1	BRACKET,FUEL TANK			
6		900106-05012	4	BOLT, H.S. 5*12	5*12		
7		A390-000000	1	SEAT,FUEL TANK			
8		A390-000010	1	SEAT,FUEL TANK			
9		132010-53630	1	PIPE	3*6*180 NBR		
10		131205-19830	1	STRAINER, FUEL		Sus. by 131205-19831	
11		132013-26630	1	CLIP	6.5MM		
12		132115-55930	1	GROMMET, FUEL			
13		437215-20760	1	PIPE 3*6*60	3*6*60 YL	Sr/Nr 36004557 and before	
14		132012-02960	1	PIPE, FUEL	3*6*120L		
15		131300-56430	1	VALVE, CHECK			
16		132013-26630	1	CLIP	6.5MM		

9. Harness(Sr/Nr 36010675 and before)



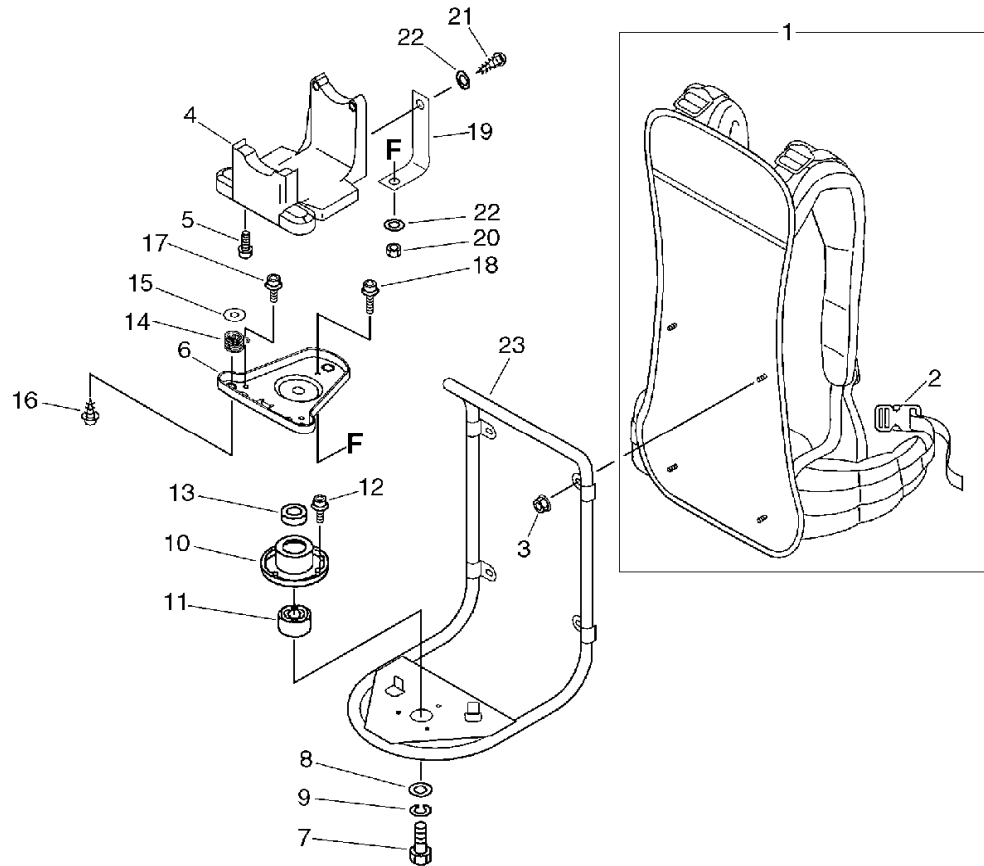
KEY	LV	PART NUMBER	Q'TY	DESCRIPTION	REMARKS	NOTE1	NOTE2
1		C061-000040	1	HARNESS,ASM BACKPACK		Sus. by C061-000041	
1		C061-000041	1	HARNESS,ASM BACKPACK			
2		P022-007890	1	BUCKLE	40MM		
3		900516-00005	4	NUT, FRANGE 5	5		
4		C632-000010	1	PLATE,ENG			
5		900106-05020	2	BOLT, H.S. 5*20	5*20		
6		C627-000020	1	PLATE,ROTATION			
7		900100-10020	1	BOLT 10*20	10*20	Sus. by 900100-10025	
8		900600-00010	1	WASHER 10	10		
9		900605-00010	1	WASHER, SPRING 10	10		
10		104926-56230	1	HOLDER, BEARING			
11		900814-06202	1	BEARING, BALL 6202	6202ZZ	Sus. by 94064-06202	
11		94064-06202	1	BEARING BALL	BB6202ZZ		
12		900106-05012	3	BOLT, H.S. 5*12	5*12	Sus. by 91121-05012	
13		604044-12560	1	COLLER15.3*21.5*3.2T	15.3*21.5*3.2T		
14		V450-000140	3	SPRING,COMPRESSION		Sus. by V450-000141	
14		V450-000141	3	SPRING,COMPRESSION			
15		177214-02830	3	WASHER	5.2*16*1.0T		
16		91147-05020	3	BOLT HS FL TAPP			
17		900106-05012	2	BOLT, H.S. 5*12	5*12		

9. Harness(Sr/Nr 36010675 and before)



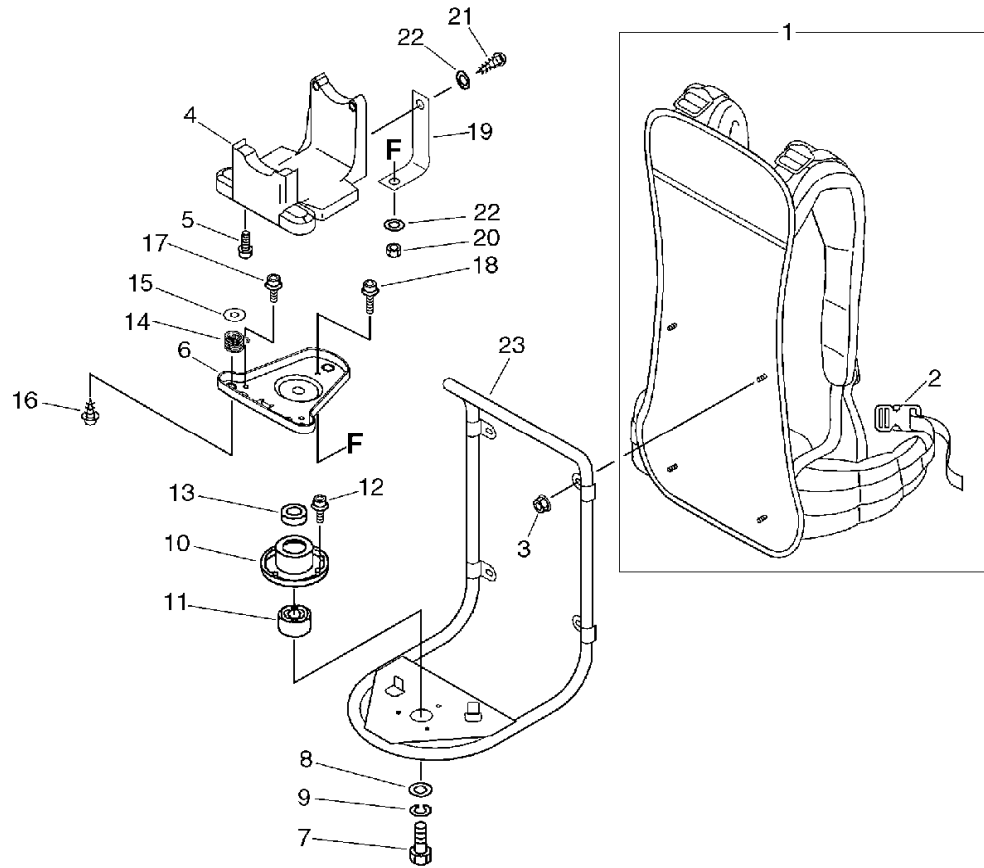
KEY	LV	PART NUMBER	Q'TY	DESCRIPTION	REMARKS	NOTE1	NOTE2
18		900106-05016	1	BOLT, H.S. 5*16	5*16		
19		C617-000090	1	STOPPER			
20		900502-00005	1	NUT 5 (3N)	3N5		
21		91145-05016	1	BOLT HS TAPPING	5*16		
22		900600-00005	2	WASHER 5	5		
23		C620-000110	1	FRAME, BACKPACK			

10. Harness(Sr/Nr 36010676 and after)



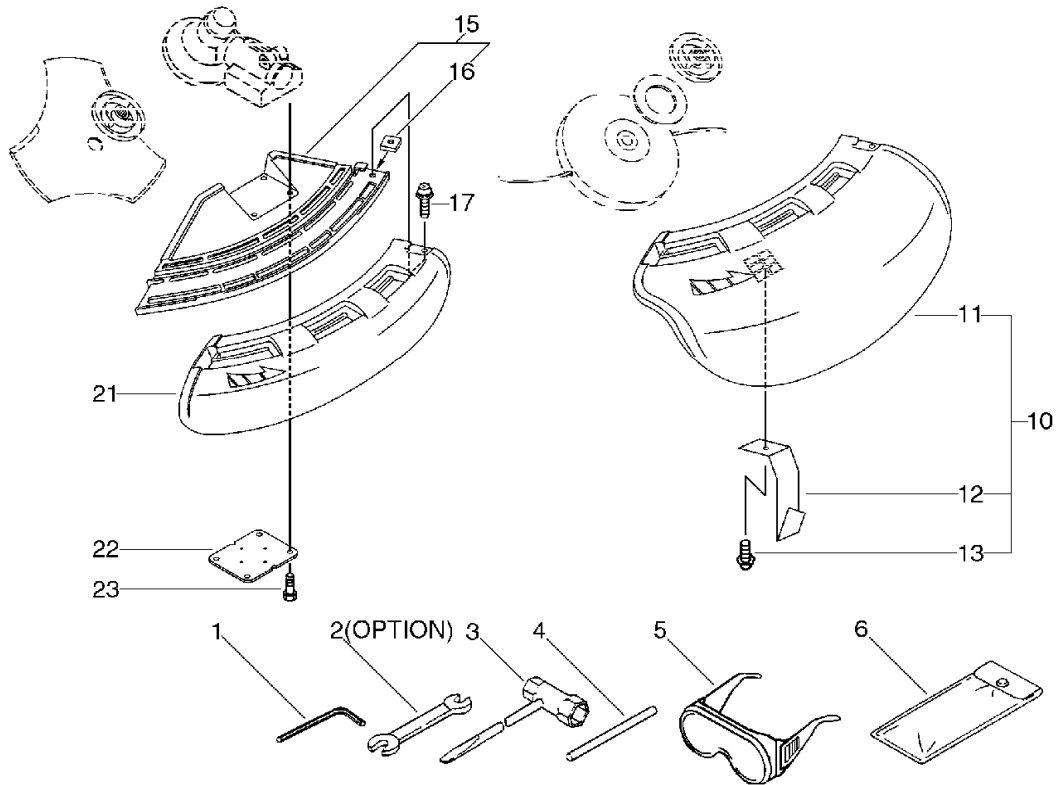
KEY	LV	PART NUMBER	Q'TY	DESCRIPTION	REMARKS	NOTE1	NOTE2
1		C061-000041	1	HARNESS,ASM BACKPACK			
2	+	P022-007890	1	BUCKLE	40MM		
3		900516-00005	4	NUT, FRANGE 5	5		
4		C632-000010	1	PLATE,ENG			
5		900106-05020	2	BOLT, H.S. 5*20	5*20		
6		C627-000020	1	PLATE,ROTATION			
7		900100-10020	1	BOLT 10*20	10*20	Sus. by 900100-10025	
7		900100-10025	1	BOLT 10*25	10*25		
8		900600-00010	1	WASHER 10	10		
9		900605-00010	1	WASHER, SPRING 10	10		
10		104926-56230	1	HOLDER, BEARING			
11		94064-06202	1	BEARING BALL	BB6202ZZ		
12		900106-05012	3	BOLT, H.S. 5*12	5*12	Sus. by 91121-05012	
12		91121-05012	3	BOLT, FLANGE	10.9 SILVER		
13		604044-12560	1	COLLER15.3*21.5*3.2T	15.3*21.5*3.2T		
14		V450-000141	3	SPRING,COMPRESSION			
15		177214-02830	3	WASHER	5.2*16*1.0T		
16		91147-05020	3	BOLT HS FL TAPP			
17		900106-05012	2	BOLT, H.S. 5*12	5*12		
18		900106-05016	1	BOLT, H.S. 5*16	5*16		
19		C617-000090	1	STOPPER			
20		900502-00005	1	NUT 5 (3N)	3N5		
21		91145-05016	1	BOLT HS TAPPING	5*16		

10. Harness(Sr/Nr 36010676 and after)



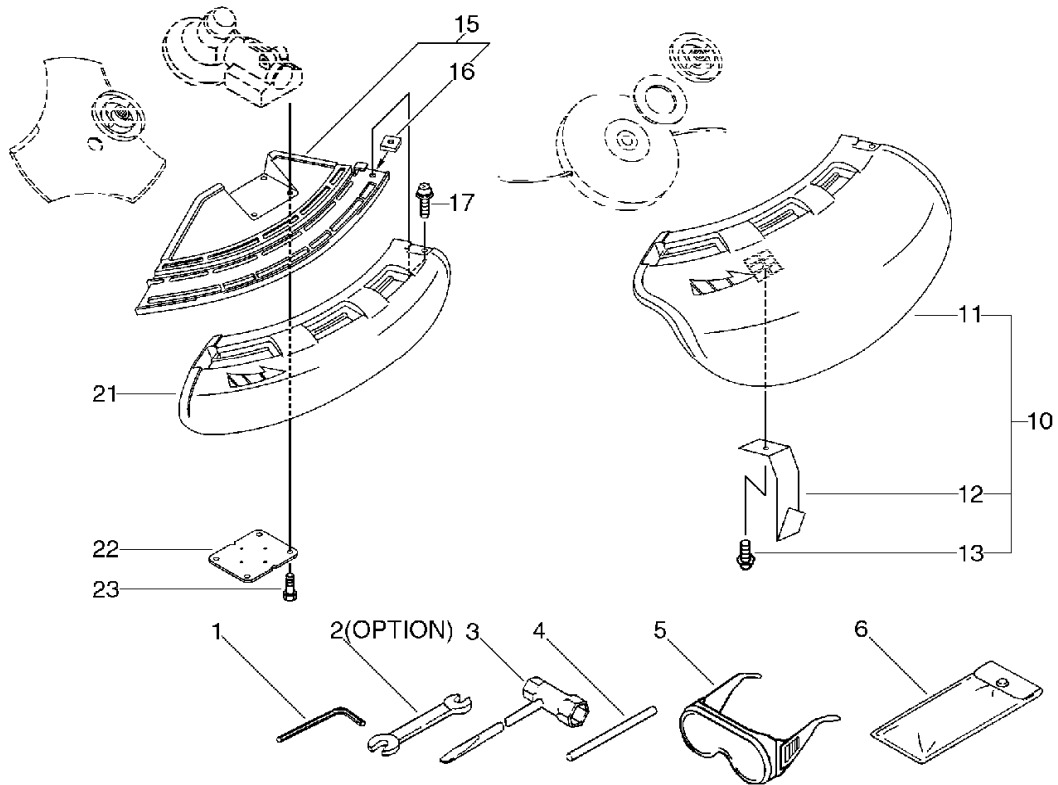
KEY	LV	PART NUMBER	Q'TY	DESCRIPTION	REMARKS	NOTE1	NOTE2
22		900600-00005	2	WASHER 5	5		
23		C620-000110	1	FRAME,BACKPACK			

11. Shield, Tools(Drive Shaft Sr/Nr 025197 and before)



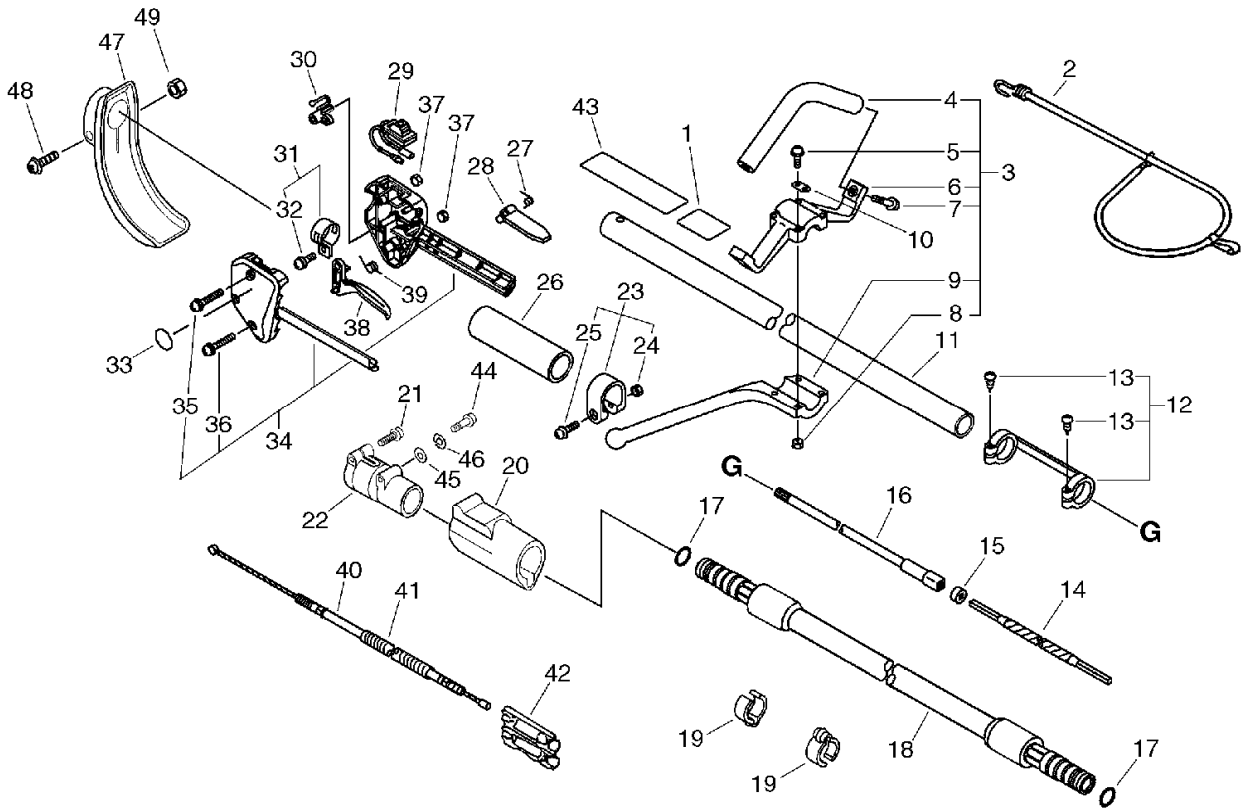
KEY	LV	PART NUMBER	Q'TY	DESCRIPTION	REMARKS	NOTE1	NOTE2
1		895610-00130	1	L-WRENCH (4MM)			
2		895112-00330	1	SPANNER 8*10		OPTION	
3		895410-08030	1	WRENCH, W/S. DRIVER		Sus. by X602-000020	
3		X602-000020	1	TOOL,WRENCH	17*19 L200		
4		897518-01131	1	LOCKING TOOL			
5		899580-68730	1	SAFETY GLASSES		Sus. by X690-000030	
5		X690-000030	1	GOGGLE			
6		898510-39130	1	BAG, TOOL			
10		P021-002620	1	SHIELD,BLADE(W/KNIFE		Drive Shaft Sr/Nr 025197 and before	
11	+	C550-000080	1	SHIELD,BLADE			
12	+	C554-000000	1	KNIFE,CORD		Drive Shaft Sr/Nr 025197 and before	
13	+	900252-05012	1	SCREW 5*12	5*12		
16		900565-00005	1	NUT	5		
17		900242-05018	1	SCREW 5*18	5*18		
20		C550-000100	1	SHIELD,BLADE			
21		C550-000090	1	SHIELD,BLADE			
22		699013-56830	1	PLATE, SHIELD			
23		900162-05025	4	BOLT, H.S. 5*25	5*25 W,SW	Sus. by 91118-05025	

12. Shield, Tools(Drive Shaft Sr/Nr 025198 and after)



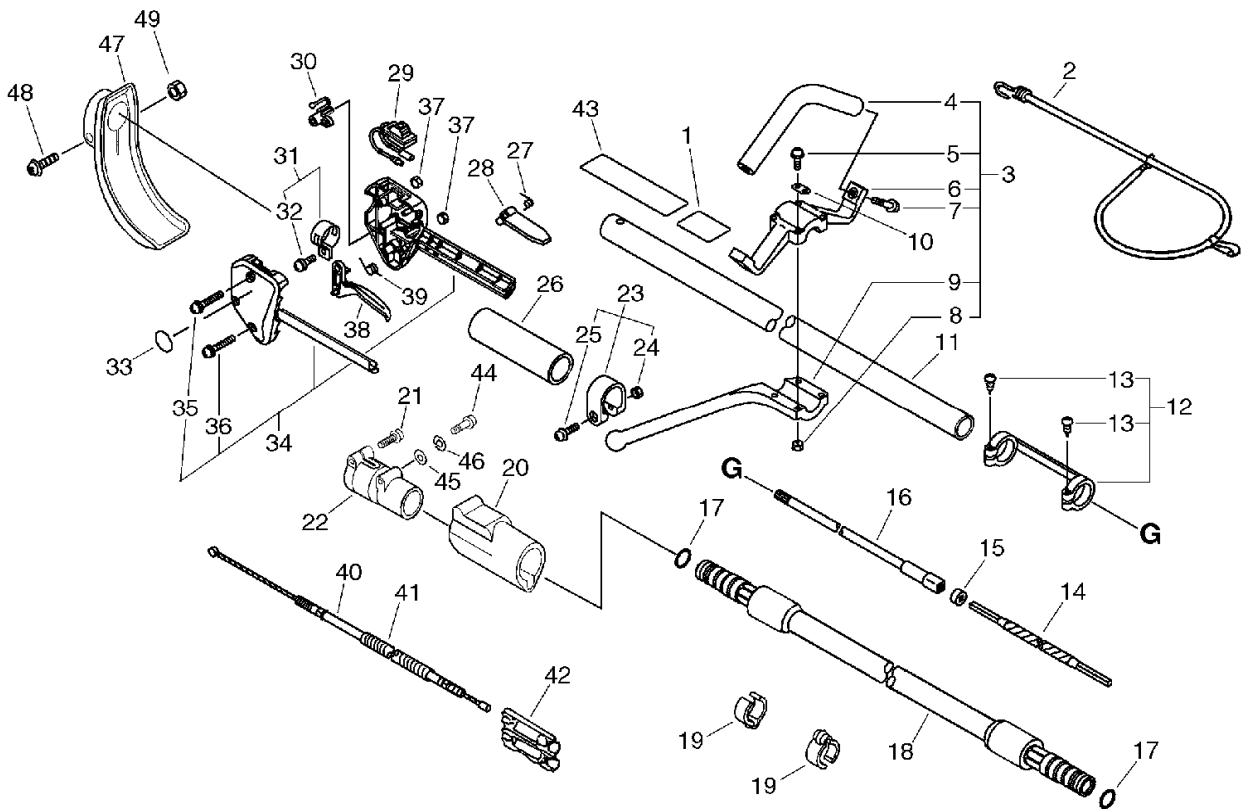
KEY	LV	PART NUMBER	Q'TY	DESCRIPTION	REMARKS	NOTE1	NOTE2
1		895610-00130	1	L-WRENCH (4MM)			
2		895112-00330	1	SPANNER 8*10			
3		X602-000020	1	TOOL,WRENCH	17*19 L200		
4		897518-01131	1	LOCKING TOOL			
5		X690-000030	1	GOGGLE			
6		898510-39130	1	BAG, TOOL			
10		P021-013770	1	SHIELD KIT			
11	+	C550-000080	1	SHIELD,BLADE			
12	+	C554-000030	1	KNIFE, CORD	17INCH		
13	+	900252-05012	1	SCREW 5*12	5*12		
15		C550-000100	1	SHIELD,BLADE			
16	+	900565-00005	1	NUT	5		
17		900242-05018	1	SCREW 5*18	5*18		
21		C550-000090	1	SHIELD,BLADE			
22		699013-56830	1	PLATE, SHIELD			
23		91118-05025	4	BOLT	CM-5*25		

13. Handle



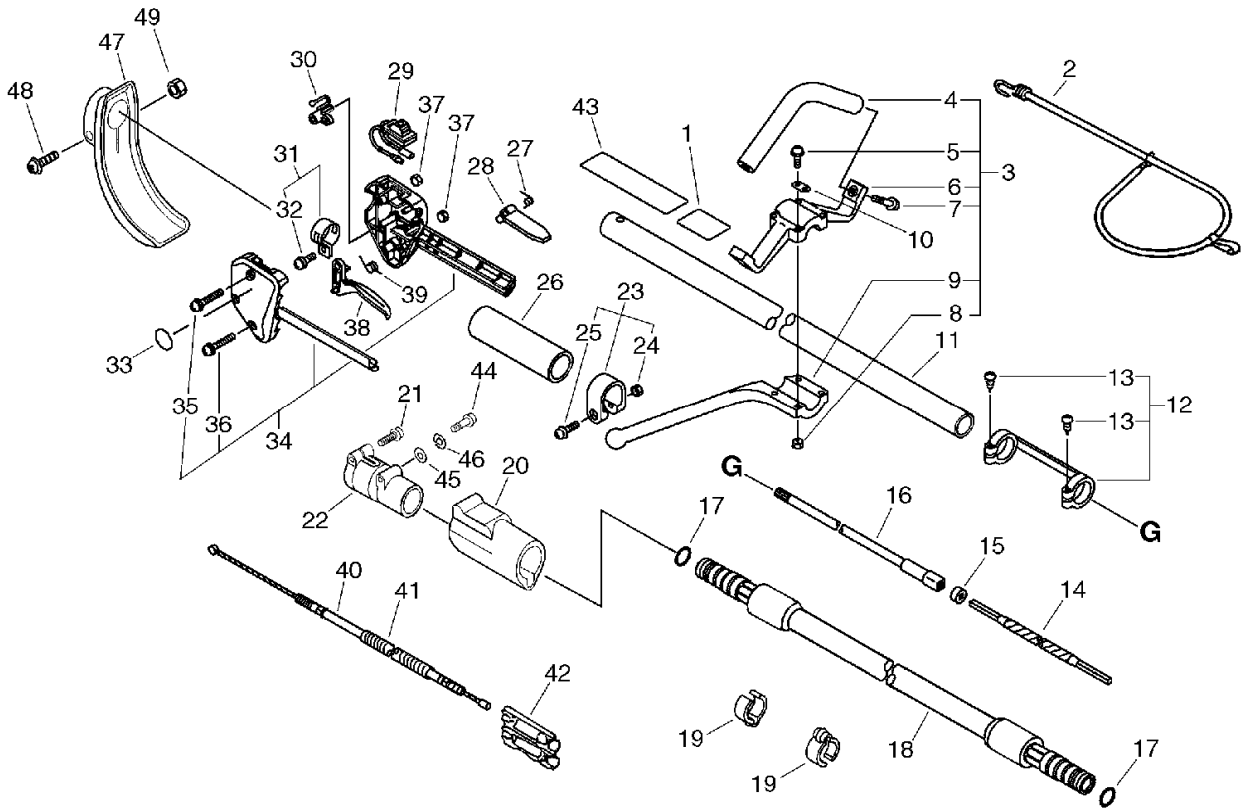
KEY	LV	PART NUMBER	Q'TY	DESCRIPTION	REMARKS	NOTE1	NOTE2
1		890160-42230	1	LABEL, CAUTION			
2		300500-07131	1	ROPE, ELASTIC			
3		351201-50430	1	HANDLE ASSY, LOOP		Sus. by 351201-50431	
3		351201-50431	1	HANDLE ASSY, LOOP			
4	+	351205-07130	1	HANDLE		Sus. by 351205-07131	
4	+	351205-07131	1	HANDLE			
5	+	900242-05035	4	SCREW 5*35	5*35		
6	+	351232-07130	1	BRACKET, HANDLE 28			
7	+	900242-05014	2	SCREW 5*14	5*14		
8	+	900500-00005	4	NUT 5	5		
9	+	351643-55630	1	BRACKET, HANDLE			
10		300515-07130	1	PLATE, ROPE			
11		C050-000040	1	PIPE,MAIN			
12		610281-42230	1	COLLER			
13	+	900253-04025	2	SCREW 4*25	4*25		
14		610013-27630	1	SHAFT, FLEXIBLE(HARD)			
15		610020-07131	1	ADAPTER, FLX. SHAFT			
16		C504-000070	1	SHAFT,DRIVE			
17		900720-00018	2	O-RING 18	P-18		
18		C508-000020	1	COVER,FLEX SHAFT			
19		224924-52130	2	CLIP	25MM		
20		C483-000010	1	BOOT,CONNECTOR			
21		900162-05030	1	BOLT, H.S. 5*30	5*30 W,SW	Sus. by 91118-05030	

13. Handle



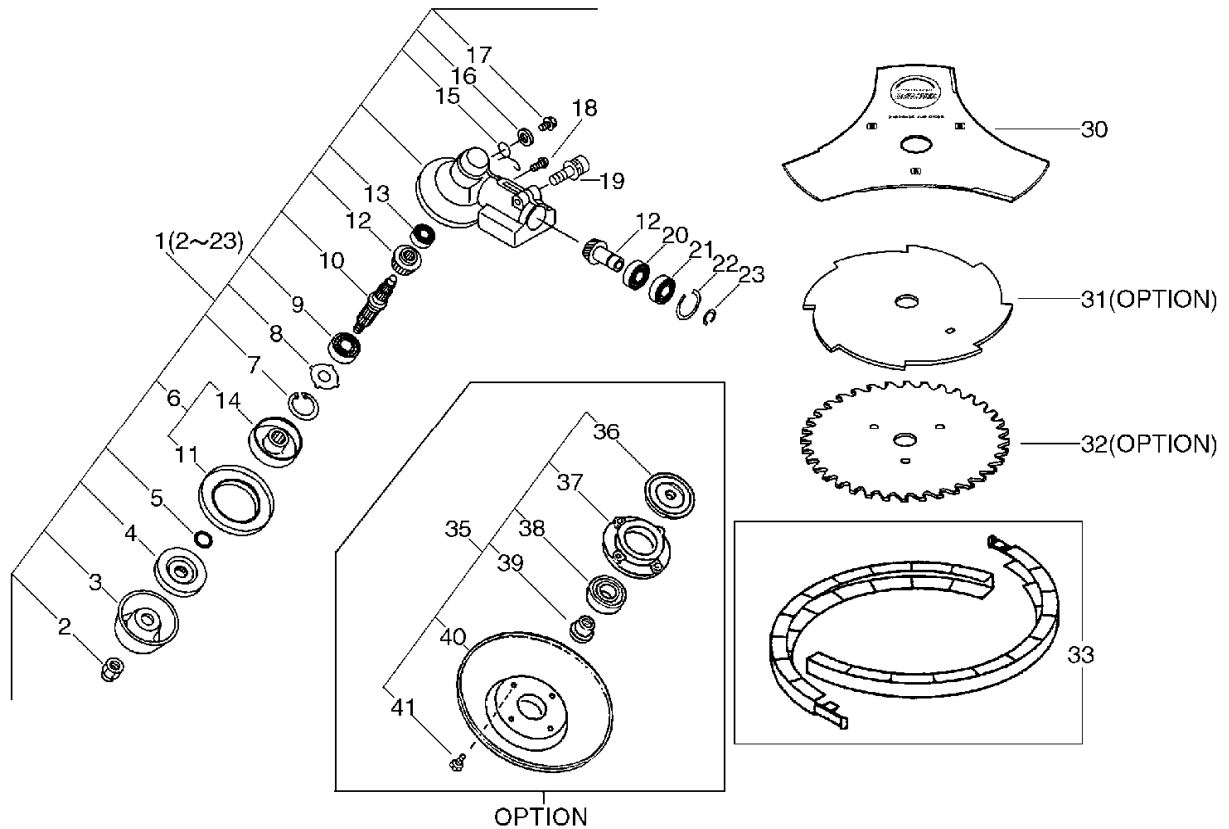
KEY	LV	PART NUMBER	Q'TY	DESCRIPTION	REMARKS	NOTE1	NOTE2
22		C510-000020	1	COUPLING,MAIN PIPE			
23		610272-51830	1	BAND			
24	+	900500-00005	1	NUT 5	5		
25	+	900242-05028	1	SCREW 5*28	5*28		
26		351213-51830	1	GRIP, FRONT HANDLE			
27		178013-52630	1	SPRING, THR. LOCK			
28		178090-52630	1	LOCKOUT, T. CONTROL		Sus. by 178090-52632	
28		178090-52631	1	LOCKOUT, T. CONTROL		Sus. by 178090-52632	
28		178090-52632	1	LOCKOUT, T. CONTROL			
29		163400-41630	1	SWITCH, IGNITION			
30		178012-52630	1	LOCKOUT, THROTTLE			
31		301200-42230	1	HOOK ASSY			
32	+	900242-05014	1	SCREW 5*14	5*14		
33		890157-39130	1	LABEL, SWITCH			
34		178003-51830	1	BRACKET SET,THROTTLE			
35	+	900242-05035	1	SCREW 5*35	5*35		
36	+	900242-05025	1	SCREW 5*25	5*25		
37	+	900500-00005	2	NUT 5	5		
38		178010-52130	1	CONTROL, THROTTLE			
39		178043-42230	1	SPRING, THR. RETURN			
40		V430-000320	1	CABLE,BOWDEN		Sus. by V430-000321	
40		V430-000321	1	CABLE,BOWDEN	940*64		
41		V475-001500	1	TUBE	7*740		

13. Handle



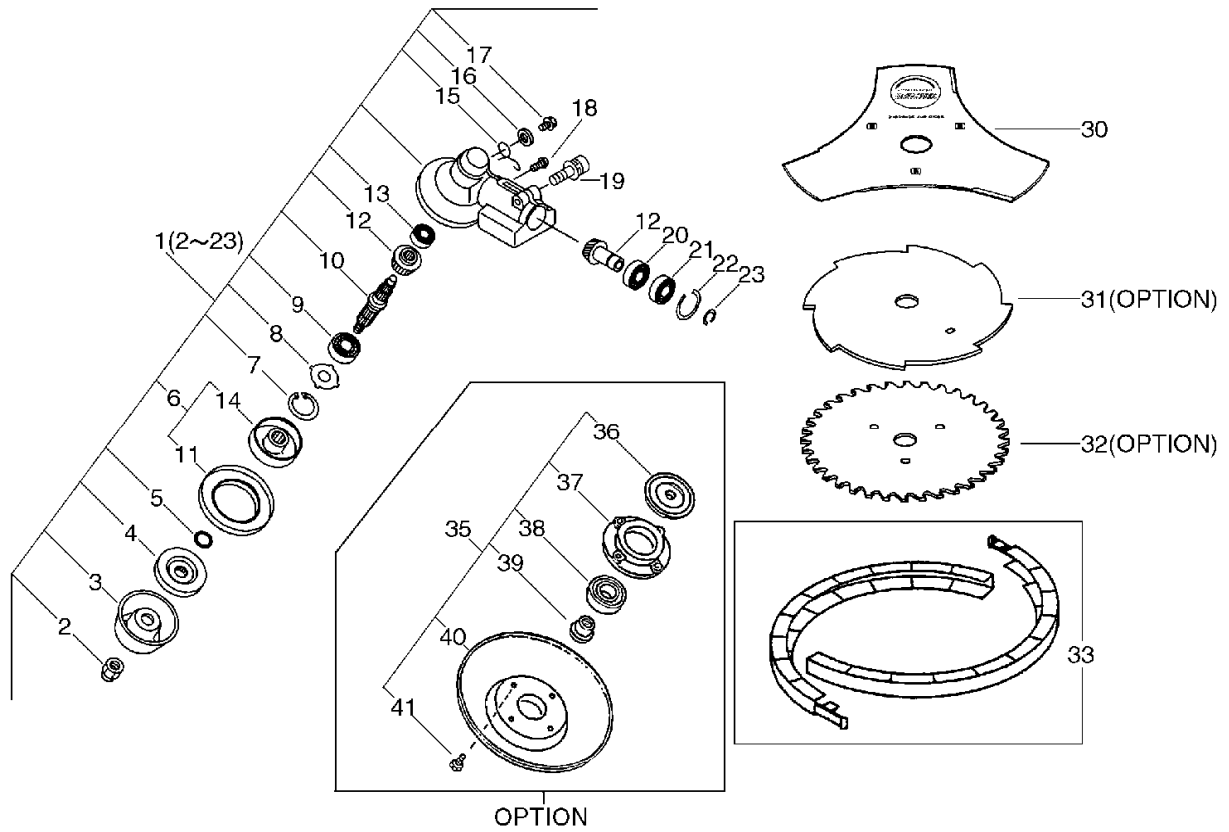
KEY	LV	PART NUMBER	Q'TY	DESCRIPTION	REMARKS	NOTE1	NOTE2
42		178081-55931	1	CONNECTOR,CABLE			
43		890617-43130	1	LABEL,CAUTION			
44		610257-56330	1	BOLT	5*30		
45		900600-00005	1	WASHER 5	5		
46		900605-00005	1	WASHER, SPRING 5	5	Drive Shaft Sr/Nr 0011374 and before	
47		A248-000000	1	GUARD,LEVER			
48		900242-05025	1	SCREW 5*25	5*25		
49		900500-00005	1	NUT 5	5		

14. Gear Case, Blade(Sr/Nr 36010675 and before)



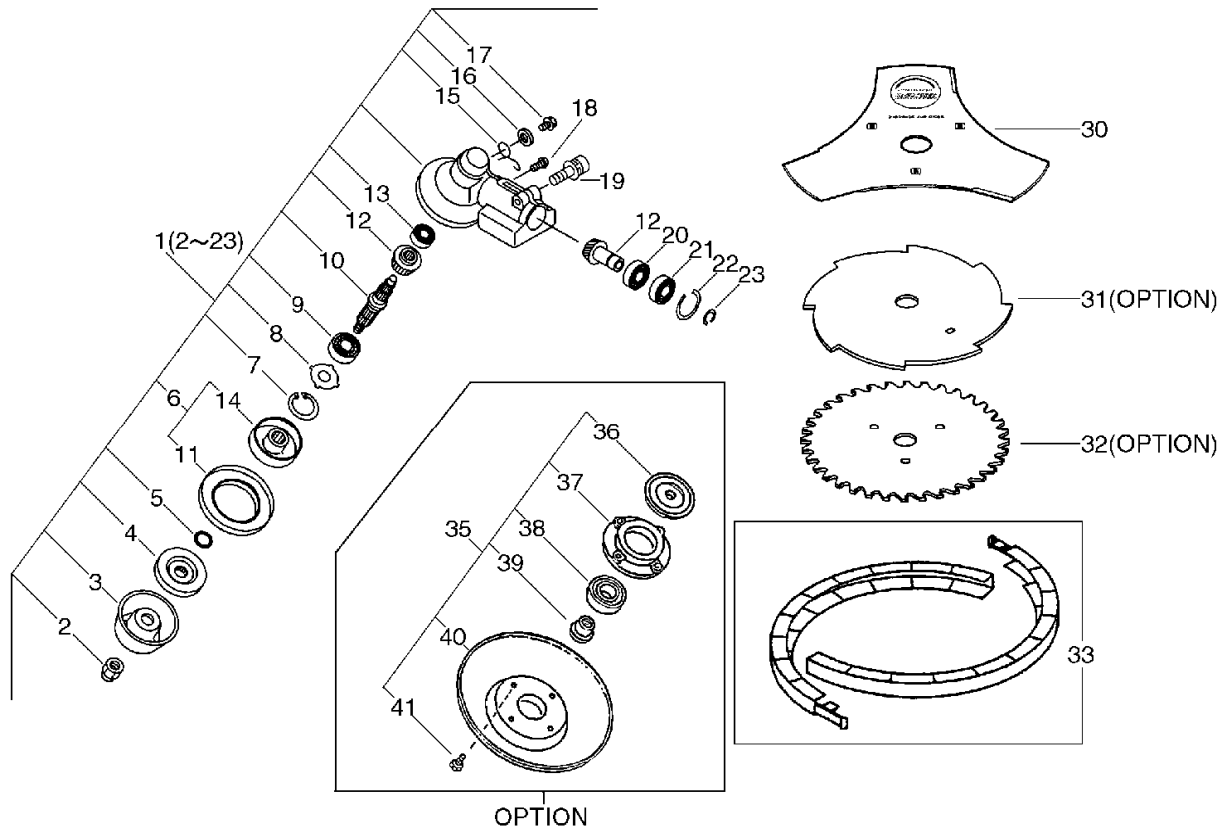
KEY	LV	PART NUMBER	Q'TY	DESCRIPTION	REMARKS	NOTE1	NOTE2
1		610400-56931	1	CASE ASY, GEAR		Sus. by 610400-56932	
1		610400-56932	1	CASE ASY, GEAR		Sus. by P021-012590	
2	+	610320-52130	1	NUT 10			
3	+	699229-56830	1	PLATE, COVER			
4	+	610314-52130	1	PLATE, ADAPTER (L)			
5	+	900720-00012	1	O-RING 12	P-12		
6	+	C535-000000	1	FIXTURE, BLADE		Sus. by C535-000001	
6	+	C535-000001	1	FIXTURE, BLADE			
11	++	610352-56830	1	PLATE, CUP			
14	++	C535-000010	1	FIXTURE, BLADE		Sus. by C535-000011	
14	++	C535-000011	1	FIXTURE, BLADE			
7	+	900702-00032	1	CIRCLIP 32	CR-32		
8	+	610444-56830	1	WASHER			
9	+	900812-06201	1	BEARING, BALL 6201	6201DDU(LLU)		
10	+	610310-56930	1	SHAFT, P.T.O.			
12	+	610300-56930	1	GEAR SET			
13	+	900810-00629	1	BEARING, BALL 629	629		
15	+	610473-52131	1	SPRING			
16	+	900603-50008	1	WASHER	8.5*18*0.8T		
17	+	610434-50030	1	BOLT 8* 6		Sus. by 610434-50031	
17	+	610434-50031	1	BOLT 8* 8	M8*8		

14. Gear Case, Blade(Sr/Nr 36010675 and before)



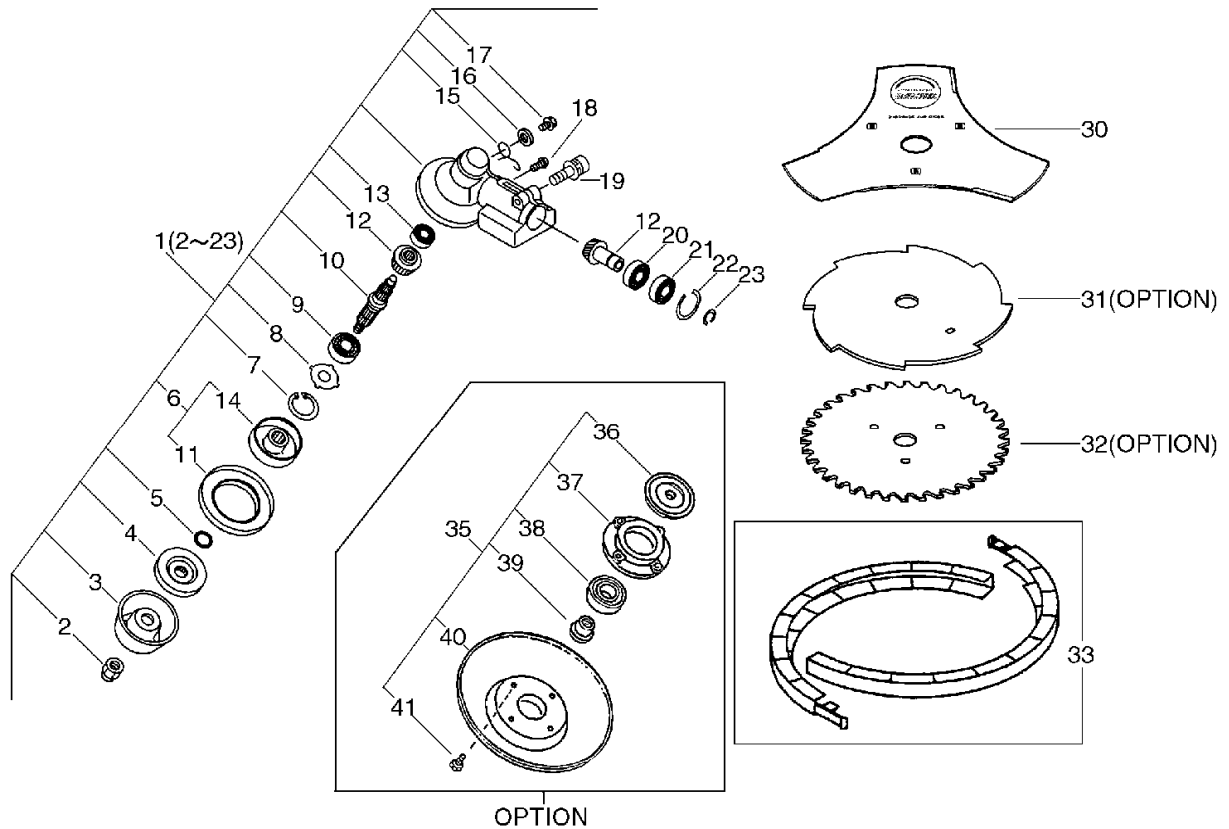
KEY	LV	PART NUMBER	Q'TY	DESCRIPTION	REMARKS	NOTE1	NOTE2
18	+	900242-05010	1	SCREW 5*10	5*10		
19	+	900162-06030	1	BOLT, H.S. 6*30	6*30W, SW	Sus. by 91118-06030	
20	+	900800-06001	1	BEARING, BALL 6001	6001		
21	+	900803-06001	1	BEARING, BALL 6001	6001Z		
22	+	900702-00028	1	CIRCLIP 28	CR-28		
23	+	900701-00012	1	CIRCLIP 12	CS-12		
30		X405-000000	1	SAW,BUSH CUTTER	3*255*25.4*T2.0	Sus. by X405-000001	
30		X405-000001	1	SAW,BUSH CUTTER	3*255*25.4*T2.0		
33		898503-50030	1	SCABBARD KIT, BLADE		Sus. by P021-007470	
33		P021-007470	1	SCABBARD, BLADE			
34	+	898562-43230	1	FIXTURE, SCABBARD		Can be used on 898503-50030 only	
31		696001-55630	1	BLADE, 8-CUTTER 10IN		Sus. by 696001-55631	
31		696001-55631	1	BLADE, 8-CUTTER 10IN	255*8T*1.4 PD25	OPTION	
32		695001-55630	1	SAW,CIRCULAR 10*80T		Sus. by 695001-55631	
32		695001-55631	1	SAW, CIRCULAR 10*80T	255*80T*1.4 PD25	OPTION	
35		699200-56830	1	CAP ASSY, FREE		OPTION	

14. Gear Case, Blade(Sr/Nr 36010675 and before)



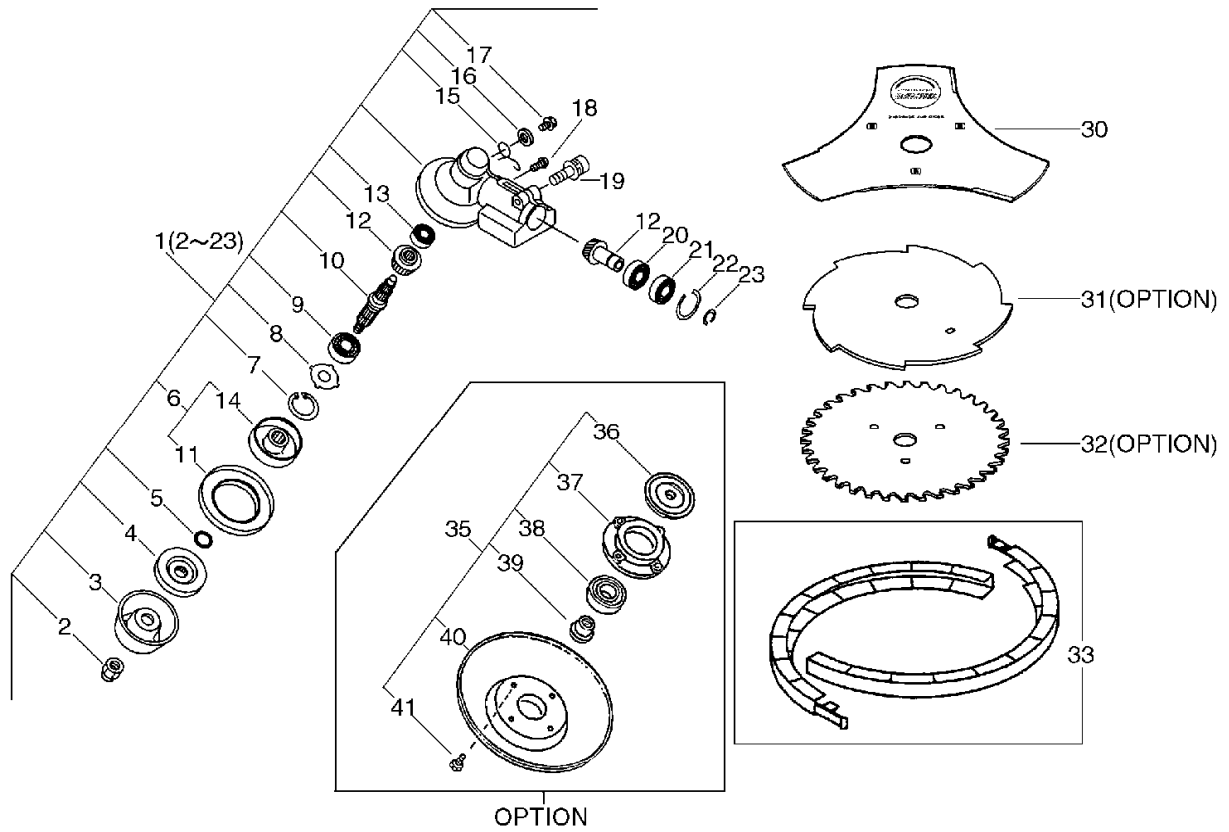
KEY	LV	PART NUMBER	Q'TY	DESCRIPTION	REMARKS	NOTE1	NOTE2
36	+	610313-56830	1	PLATE, ADAPTER (U)		OPTION	
37	+	699226-05430	1	HOLDER, BEARING		OPTION	
38	+	900814-06202	1	BEARING, BALL 6202	6202ZZ	OPTION	
39	+	699227-04630	1	NUT		OPTION	
40	+	699228-08930	1	PLATE, COVER		OPTION	
41	+	900141-05012	4	BOLT 5*12	5*12	OPTION	

15. Gear Case, Blade(Sr/Nr 36010676 to 36016348)



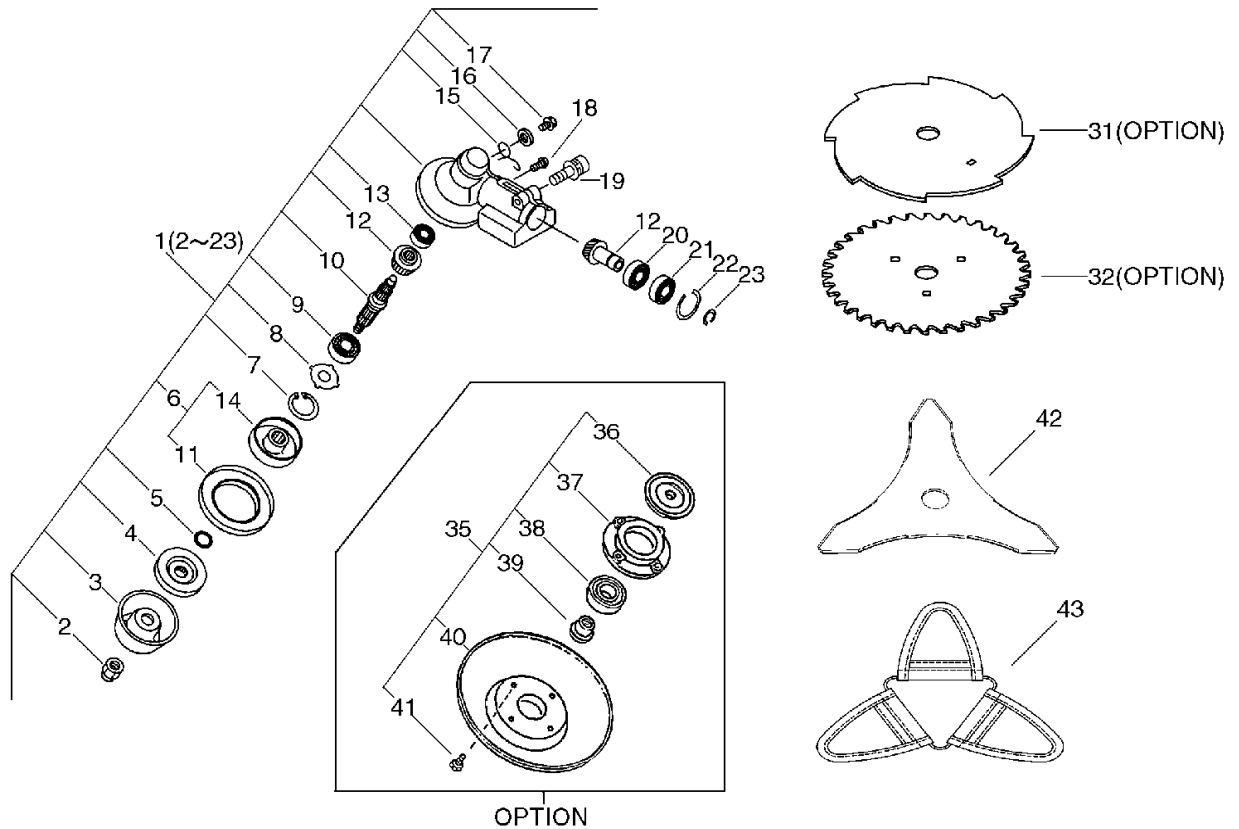
KEY	LV	PART NUMBER	Q'TY	DESCRIPTION	REMARKS	NOTE1	NOTE2
1		610400-56932	1	CASE ASY, GEAR		Sus. by P021-012590	
1		P021-012590	1	CASE,GEAR		Sus. by P021-012591	
2	+	610320-52130	1	NUT 10			
3	+	699229-56830	1	PLATE, COVER			
4	+	610314-52130	1	PLATE, ADAPTER (L)			
5	+	900720-00012	1	O-RING 12	P-12		
6	+	C535-000001	1	FIXTURE, BLADE			
11	++	610352-56830	1	PLATE, CUP			
14	++	C535-000011	1	FIXTURE, BLADE			
7	+	900702-00032	1	CIRCLIP 32	CR-32		
8	+	610444-56830	1	WASHER			
9	+	900812-06201	1	BEARING, BALL 6201	6201DDU(LLU)		
10	+	610310-56930	1	SHAFT, P.T.O.		Sus. by 610310-56931	
12	+	610300-56930	1	GEAR SET			
13	+	900810-00629	1	BEARING, BALL 629	629		
15	+	610473-52131	1	SPRING			
16	+	900603-50008	1	WASHER	8.5*18*0.8T		
17	+	610434-50031	1	BOLT 8*8	M8*8		
18	+	900242-05010	1	SCREW 5*10	5*10		
19	+	900162-06030	1	BOLT, H.S. 6*30	6*30W, SW	Sus. by 91118-06030	
19	+	91118-06030	1	BOLT	CM-6*30		
20	+	900800-06001	1	BEARING, BALL 6001	6001		

15. Gear Case, Blade(Sr/Nr 36010676 to 36016348)



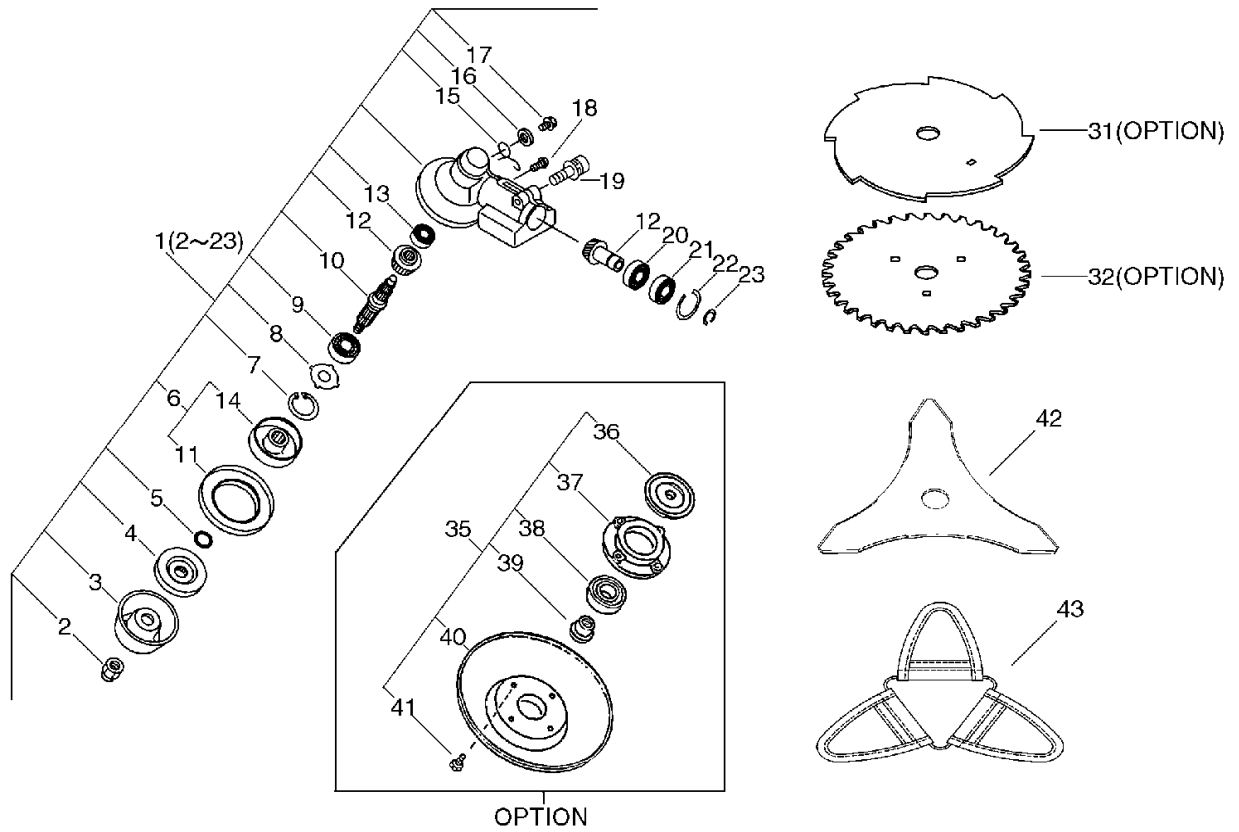
KEY	LV	PART NUMBER	Q'TY	DESCRIPTION	REMARKS	NOTE1	NOTE2
21	+	900803-06001	1	BEARING, BALL 6001	6001Z		
22	+	900702-00028	1	CIRCLIP 28	CR-28		
23	+	900701-00012	1	CIRCLIP 12	CS-12		
30		X405-000001	1	SAW,BUSH CUTTER	3*255*25.4*T2.0	Sr/Nr 36016348 and befor	
33		P021-007470	1	SCABBARD,BLADE		Sr/Nr 36016348 and befor	
31		696001-55631	1	BLADE, 8-CUTTER 10IN	255*8T*1.4 PD25		
32		695001-55631	1	SAW, CIRCULAR 10*80T	255*80T*1.4 PD25		
35		699200-56830	1	CAP ASSY, FREE			
36	+	610313-56830	1	PLATE, ADAPTER (U)			
37	+	699226-05430	1	HOLDER, BEARING			
38	+	900814-06202	1	BEARING, BALL 6202	6202ZZ		
39	+	699227-04630	1	NUT			
40	+	699228-08930	1	PLATE, COVER			
41	+	900141-05012	4	BOLT 5*12	5*12		

16. Gear Case, Blade(Sr/Nr 36016349 and after)



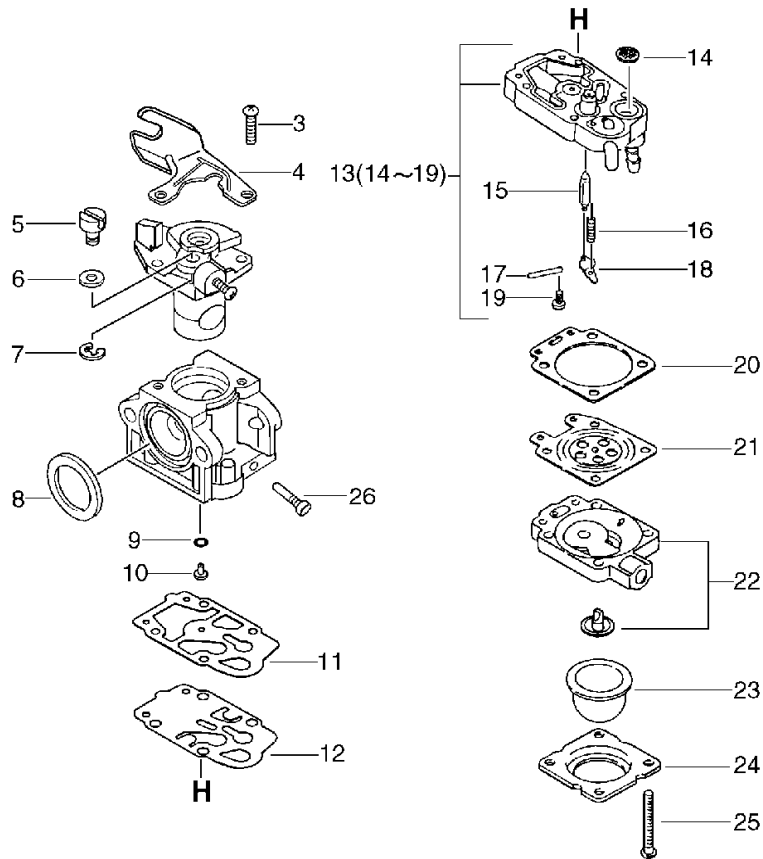
KEY	LV	PART NUMBER	Q'TY	DESCRIPTION	REMARKS	NOTE1	NOTE2
2		P021-012591	1	CASE,GEAR			
2	+	610320-52130	1	NUT 10			
3	+	699229-56830	1	PLATE, COVER			
4	+	610314-52130	1	PLATE, ADAPTER (L)			
5	+	900720-00012	1	O-RING 12	P-12		
6	+	C535-000001	1	FIXTURE,BLADE			
11	++	610352-56830	1	PLATE, CUP			
14	++	C535-000011	1	FIXTURE,BLADE			
7	+	900702-00032	1	CIRCLIP 32	CR-32		
8	+	610444-56830	1	WASHER			
9	+	900812-06201	1	BEARING, BALL 6201	6201DDU(LLU)		
10	+	610310-56931	1	SHAFT, P.T.O.			
12	+	610300-56930	1	GEAR SET			
13	+	900810-00629	1	BEARING, BALL 629	629		
15	+	610473-52131	1	SPRING			
16	+	900603-50008	1	WASHER	8.5*18*0.8T		
17	+	610434-50031	1	BOLT 8*8	M8*8		
18	+	900242-05010	1	SCREW 5*10	5*10		
19	+	91118-06030	1	BOLT	CM-6*30		
20	+	900800-06001	1	BEARING, BALL 6001	6001		
21	+	900803-06001	1	BEARING, BALL 6001	6001Z		
22	+	900702-00028	1	CIRCLIP 28	CR-28		
23	+	900701-00012	1	CIRCLIP 12	CS-12		
30		X405-000001	1	SAW,BUSH CUTTER	3*255*25.4*T2.0		
33		P021-007470	1	SCABBARD,BLADE			

16. Gear Case, Blade(Sr/Nr 36016349 and after)



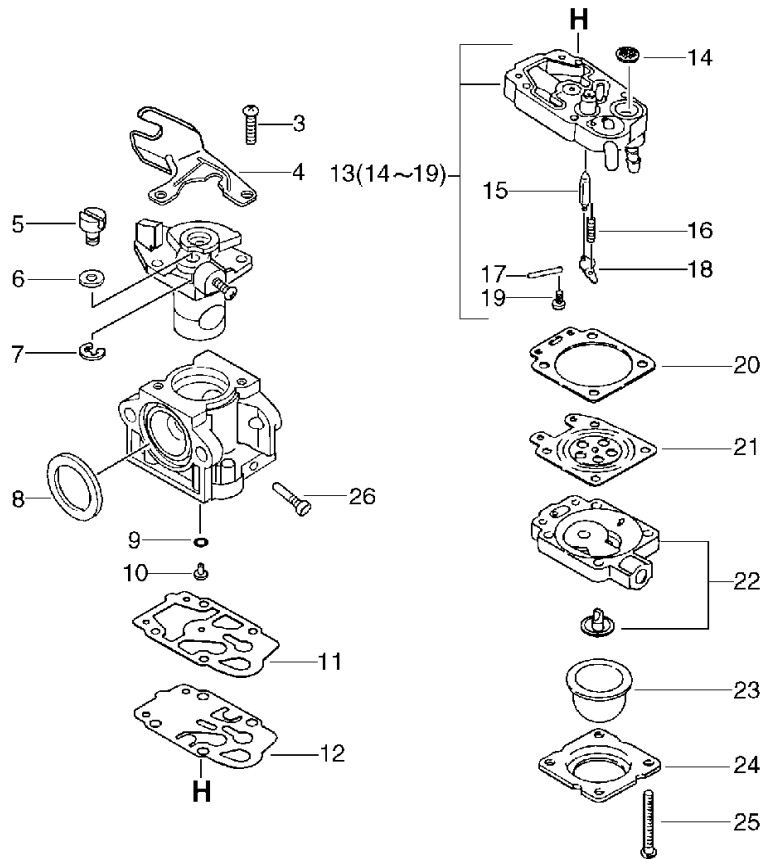
KEY	LV	PART NUMBER	Q'TY	DESCRIPTION	REMARKS	NOTE1	NOTE2
31		696001-55631	1	BLADE, 8-CUTTER 10IN	255*8T*1.4 PD25		
32		695001-55631	1	SAW, CIRCULAR 10*80T	255*80T*1.4 PD25		
35		699200-56830	1	CAP ASSY, FREE			
36	+	610313-56830	1	PLATE, ADAPTER (U)			
37	+	699226-05430	1	HOLDER, BEARING			
38	+	900814-06202	1	BEARING, BALL 6202	620ZZ		
39	+	699227-04630	1	NUT			
40	+	699228-08930	1	PLATE, COVER			
41	+	900141-05012	4	BOLT 5*12	5*12		
42		P021-014320	1	SAW,BUSH CUTTER	255*T3.0	Sr/Nr 36016349 and after	
43		X495-000250	1	SCABBARD, BLADE	9"/10" 3 CUTTER	Sr/Nr 36016349 and after	

17. Carburetor(Sr/Nr 36004557 and before)



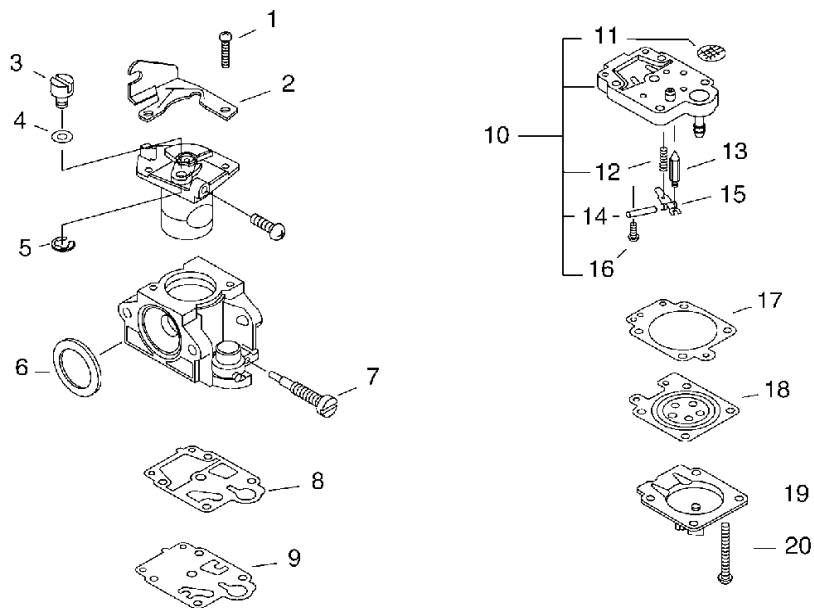
KEY	LV	PART NUMBER	Q'TY	DESCRIPTION	REMARKS	NOTE1	NOTE2
		A021-000340	1	CARBURETOR,DIAPHRAGM		Sus. by A021-000341	
		A021-000341	1	CARBURETOR,DIAPHRAGM	WYK-158A	Sr/Nr 35999999 and before	
		A021-000591	1	CARBURETOR,DIAPHRAGM	WYK-173A	Sus. by A021-001030	
		A021-001030	1	CARBURETOR,DIAPHRAGM	WYK-216	Sr/Nr 36000001 to 36004557	
2	+	P003-000710	1	VALVE ASY THROTTLE		Sr/Nr 35999999 and before	
3	+	123114-40630	2	SCREW			
4	+	P003-000180	1	BRACKET CABLE			
5	+	123172-45130	1	SWIVEL			
6	+	123149-54230	1	WASHER			
7	+	123173-07930	1	CLIP			
8	+	123143-12110	1	RING, PACKING			
9	+	123183-40630	1	O-RING		Sr/Nr 36001618 and before	
10	+	P003-000700	1	JET		Sr/Nr 35999999 and before	
10	+	P003-000980	1	JET		Sr/Nr 36000001 to 36001618	
11	+	123125-40630	1	GASKET, PUMP		Sr/Nr 35999999 and before	

17. Carburetor(Sr/Nr 36004557 and before)



KEY	LV	PART NUMBER	Q'TY	DESCRIPTION	REMARKS	NOTE1	NOTE2
11	+	P003-000100	1	GASKET, PUMP		Sr/Nr 36000001 to 36004557	
12	+	123112-40630	1	DIAPHRAGM, PUMP			
13	+	P003-000510	1	BODY ASSEMBLY, PUMP			
14	++	123126-10631	1	SCREEN, INLET			
15	++	123137-19830	1	VALVE, INLET NEEDLE			
16	++	123122-05560	1	SPRING, METER. LEVER			
17	++	123138-03930	1	PIN, METERING LEVER			
18	++	123123-03930	1	LEVER, METERING			
19	++	123139-05560	1	SCREW, M. LEVER PIN			
20	+	123140-05560	1	GASKET, M. DIAPHRAGM			
21	+	P003-000090	1	METERING, DIAPHRAGM			
22	+	123180-05560	1	BODY, AIR PURGE			
23	+	123181-40630	1	PUMP, PRIMER			
24	+	123142-05560	1	COVER, PRIMER PUMP			
25	+	123110-05560	4	SCREW, PUMP COVER			
26	+	P003-001130	1	NEEDLE, HIGH SPEED		Sr/Nr 36001619 to 36004557	

18. Carburetor(Sr/Nr 36004558 and after)



KEY	LV	PART NUMBER	Q'TY	DESCRIPTION	REMARKS	NOTE1	NOTE2
		A021-001160	1	CARBURETOR,DIAPHRAGM	WYK-227		
1	+	123114-40630	2	SCREW			
2	+	P003-000180	1	BRACKET CABLE			
3	+	123172-45130	1	SWIVEL			
4	+	123149-54230	1	WASHER			
5	+	123173-07930	1	CLIP			
6	+	123143-12110	1	RING, PACKING			
7	+	P003-001130	1	NEEDLE, HIGH SPEED			
8	+	P003-000100	1	GASKET, PUMP			
9	+	123112-40630	1	DIAPHRAGM, PUMP			
10	+	P003-001490	1	BODY ASSEMBLY, PUMP			
11	++	123126-10631	1	SCREEN, INLET			
12	++	123122-05560	1	SPRING, METER. LEVER			
13	++	123137-19830	1	VALVE, INLET NEEDLE			
14	++	123138-03930	1	PIN, METERING LEVER			
15	++	123123-03930	1	LEVER, METERING			
16	++	123139-05560	1	SCREW, M. LEVER PIN			
17	+	123140-27230	1	GASKET,M. DIAPHRAGM			
18	+	P003-000090	1	METERING, DIAPHRAGM			
19	+	P003-001500	1	COVER, PRIMER PUMP			
20	+	123144-44330	4	SCREW			

Index

Patrs Number	Key No.	Patrs Number	Key No.	Patrs Number	Key No.
100012-12331	1 - 13	131205-19830	8 - 10	351205-07131	13 - 4
100012-12331	1 - 13	131300-56430	8 - 15	351213-51830	13 - 26
100012-12331	1 - 13	132010-53630	8 - 9	351232-07130	13 - 6
100015-00120	1 - 12	132012-02960	8 - 14	351643-55630	13 - 9
100213-00310	1 - 22	132012-39330	5 - 27	437215-20760	5 - 28
100213-05530	1 - 17	132012-39330	6 - 27	437215-20760	6 - 28
100215-03930	1 - 21	132012-39331	6 - 27	437215-20760	7 - 28
101113-37530	1 - 6	132012-39331	7 - 27	437215-20760	8 - 13
104926-56230	10 - 10	132013-26630	8 - 11	604044-12560	10 - 13
104926-56230	9 - 10	132013-26630	8 - 16	604044-12560	9 - 13
123110-05560	17 - 25	132115-55930	8 - 12	610013-27630	13 - 14
123112-40630	17 - 12	156114-04920	2 - 6	610020-07131	13 - 15
123112-40630	18 - 9	159017-31730	2 - 3	610250-45930	1 - 30
123114-40630	17 - 3	159025-37530	1 - 8	610251-45930	1 - 34
123114-40630	18 - 1	162010-29330	2 - 7	610252-45931	1 - 35
123122-05560	17 - 16	163400-41630	13 - 29	610257-56330	13 - 44
123122-05560	18 - 12	175048-03920	2 - 14	610272-51830	13 - 23
123123-03930	17 - 18	175049-03920	2 - 16	610281-42230	13 - 12
123123-03930	18 - 15	177214-02830	10 - 15	610300-56930	14 - 12
123125-40630	17 - 11	177214-02830	9 - 15	610300-56930	15 - 12
123126-10631	17 - 14	177218-40630	3 - 23	610300-56930	16 - 12
123126-10631	18 - 11	177218-40630	4 - 23	610310-56930	14 - 10
123137-19830	17 - 15	177220-06310	3 - 29	610310-56930	15 - 10
123137-19830	18 - 13	177220-06310	4 - 29	610310-56931	16 - 10
123138-03930	17 - 17	177226-06310	3 - 30	610313-56830	14 - 36
123138-03930	18 - 14	177226-06310	4 - 30	610313-56830	15 - 36
123139-05560	17 - 19	177227-42030	3 - 31	610313-56830	16 - 36
123139-05560	18 - 16	177227-42030	4 - 31	610314-52130	14 - 4
123140-05560	17 - 20	177228-27030	3 - 32	610314-52130	15 - 4
123140-27230	18 - 17	177228-27030	4 - 32	610314-52130	16 - 4
123142-05560	17 - 24	177236-06910	3 - 27	610320-52130	14 - 2
123143-12110	17 - 8	177236-06910	4 - 27	610320-52130	15 - 2
123143-12110	18 - 6	178003-51830	13 - 34	610320-52130	16 - 2
123144-44330	18 - 20	178010-52130	13 - 38	610352-56830	14 - 11
123149-54230	17 - 6	178012-52630	13 - 30	610352-56830	15 - 11
123149-54230	18 - 4	178013-52630	13 - 27	610352-56830	16 - 11
123172-45130	17 - 5	178043-42230	13 - 39	610400-56931	14 - 1
123172-45130	18 - 3	178081-55931	13 - 42	610400-56932	14 - 1
123173-07930	17 - 7	178090-52630	13 - 28	610400-56932	15 - 1
123173-07930	18 - 5	178090-52631	13 - 28	610434-50030	14 - 17
123180-05560	17 - 22	178090-52632	13 - 28	610434-50031	14 - 17
123181-39130	5 - 30	178127-06960	5 - 6	610434-50031	15 - 17
123181-39130	6 - 30	224924-52130	13 - 19	610434-50031	16 - 17
123181-39130	7 - 30	300500-07131	13 - 2	610444-56830	14 - 8
123181-40630	17 - 23	300515-07130	13 - 10	610444-56830	15 - 8
123183-40630	17 - 9	301200-42230	13 - 31	610444-56830	16 - 8
131004-55530	8 - 2	351201-50430	13 - 3	610473-52131	14 - 15
131016-55830	8 - 3	351201-50431	13 - 3	610473-52131	15 - 15
131051-56030	8 - 4	351205-07130	13 - 4	610473-52131	16 - 15

Index

Patrs Number	Key No.	Patrs Number	Key No.	Patrs Number	Key No.
695001-55630	14 - 32	900105-06060	6 - 23	900252-05012	12 - 13
695001-55631	14 - 32	900105-06060	7 - 23	900253-04008	5 - 16
695001-55631	15 - 32	900106-05012	10 - 12	900253-04008	6 - 16
695001-55631	16 - 32	900106-05012	10 - 17	900253-04008	7 - 16
696001-55630	14 - 31	900106-05012	1 - 41	900253-04025	13 - 13
696001-55631	14 - 31	900106-05012	5 - 25	900323-03014	1 - 44
696001-55631	15 - 31	900106-05012	6 - 25	900323-03014	2 - 19
696001-55631	16 - 31	900106-05012	8 - 6	900500-00005	13 - 8
699013-56830	11 - 22	900106-05012	9 - 12	900500-00005	13 - 24
699013-56830	12 - 22	900106-05012	9 - 17	900500-00005	13 - 37
699200-56830	14 - 35	900106-05016	10 - 18	900500-00005	13 - 49
699200-56830	15 - 35	900106-05016	9 - 18	900502-00005	10 - 20
699200-56830	16 - 35	900106-05020	10 - 5	900502-00005	9 - 20
699226-05430	14 - 37	900106-05020	1 - 36	900502-00006	5 - 8
699226-05430	15 - 37	900106-05020	3 - 33	900502-00006	6 - 8
699226-05430	16 - 37	900106-05020	4 - 33	900502-00006	7 - 8
699227-04630	14 - 39	900106-05020	9 - 5	900502-00008	3 - 24
699227-04630	15 - 39	900106-05025	3 - 34	900502-00008	4 - 24
699227-04630	16 - 39	900106-05025	4 - 34	900516-00005	10 - 3
699228-08930	14 - 40	900106-05025	5 - 4	900516-00005	9 - 3
699228-08930	15 - 40	900106-05025	6 - 4	900519-00010	2 - 17
699228-08930	16 - 40	900106-05025	7 - 4	900565-00005	11 - 16
699229-56830	14 - 3	900141-05012	14 - 41	900565-00005	12 - 16
699229-56830	15 - 3	900141-05012	15 - 41	900600-00005	10 - 22
699229-56830	16 - 3	900141-05012	16 - 41	900600-00005	13 - 45
890118-17930	3 - 35	900162-05012	5 - 20	900600-00005	9 - 22
890118-17930	4 - 35	900162-05012	6 - 20	900600-00010	10 - 8
890157-39130	13 - 33	900162-05012	7 - 20	900600-00010	9 - 8
890160-42230	13 - 1	900162-05020	1 - 33	900603-50008	14 - 16
890617-43130	13 - 43	900162-05020	2 - 9	900603-50008	15 - 16
895112-00330	11 - 2	900162-05025	11 - 23	900603-50008	16 - 16
895112-00330	12 - 2	900162-05030	13 - 21	900605-00005	13 - 46
895410-08030	11 - 3	900162-05035	1 - 23	900605-00010	10 - 9
895610-00130	11 - 1	900162-06030	14 - 19	900605-00010	9 - 9
895610-00130	12 - 1	900162-06030	15 - 19	900701-00012	1 - 27
897518-01131	11 - 4	900241-04008	1 - 32	900701-00012	14 - 23
897518-01131	12 - 4	900242-05010	14 - 18	900701-00012	15 - 23
898503-50030	14 - 33	900242-05010	15 - 18	900701-00012	16 - 23
898510-39130	11 - 6	900242-05010	16 - 18	900702-00028	1 - 25
898510-39130	12 - 6	900242-05014	13 - 7	900702-00028	14 - 22
898562-43230	14 - 34	900242-05014	13 - 32	900702-00028	15 - 22
899580-68730	11 - 5	900242-05018	11 - 17	900702-00028	16 - 22
900100-10020	10 - 7	900242-05018	12 - 17	900702-00032	14 - 7
900100-10020	9 - 7	900242-05025	13 - 36	900702-00032	15 - 7
900100-10025	10 - 7	900242-05025	13 - 48	900702-00032	16 - 7
900105-05055	5 - 14	900242-05028	13 - 25	900720-00012	14 - 5
900105-05055	6 - 14	900242-05035	13 - 5	900720-00012	15 - 5
900105-05055	7 - 14	900242-05035	13 - 35	900720-00012	16 - 5
900105-06060	5 - 23	900252-05012	11 - 13	900720-00018	13 - 17

Index

Patrs Number	Key No.	Patrs Number	Key No.	Patrs Number	Key No.
900800-06001	14 - 20	A052-000010	3 - 20	A350-000080	8 - 1
900800-06001	15 - 20	A052-000011	3 - 20	A350-000081	8 - 1
900800-06001	16 - 20	A052-000011	4 - 20	A390-000000	8 - 7
900803-06001	14 - 21	A101-000050	1 - 10	A390-000010	8 - 8
900803-06001	15 - 21	A101-000070	1 - 10	A393-000030	8 - 5
900803-06001	16 - 21	A101-000070	1 - 10	A409-000060	2 - 18
900810-00629	14 - 13	A101-000070	1 - 10	A409-000061	2 - 18
900810-00629	15 - 13	A101-000070	1 - 10	A411-000050	2 - 10
900810-00629	16 - 13	A128-000060	5 - 1	A426-000000	2 - 2
900810-36202	1 - 19	A128-000060	6 - 1	A427-000000	2 - 1
900812-06201	14 - 9	A128-000060	7 - 1	A553-000030	2 - 15
900812-06201	15 - 9	A130-000271	1 - 2	A553-000040	2 - 15
900812-06201	16 - 9	A130-000451	1 - 2	A556-000150	1 - 24
900814-06202	14 - 38	A130-000480	1 - 2	A556-000151	1 - 24
900814-06202	15 - 38	A130-000710	1 - 2	A557-000000	2 - 12
900814-06202	16 - 38	A130-000710	1 - 2	C050-000040	13 - 11
900814-06202	9 - 11	A130-000711	1 - 2	C061-000040	9 - 1
91118-05025	12 - 23	A130-000711	1 - 2	C061-000041	10 - 1
91118-06030	15 - 19	A130-000810	1 - 2	C061-000041	9 - 1
91118-06030	16 - 19	A160-000240	1 - 39	C483-000010	13 - 20
91121-05012	10 - 12	A160-000241	1 - 39	C504-000070	13 - 16
91121-05012	6 - 25	A162-000020	1 - 38	C508-000020	13 - 18
91121-05012	7 - 25	A172-000140	1 - 31	C510-000020	13 - 22
91121-05020	4 - 33	A200-000060	5 - 3	C535-000000	14 - 6
91121-05025	4 - 34	A200-000060	6 - 3	C535-000001	14 - 6
91145-05016	10 - 21	A200-000060	7 - 3	C535-000001	15 - 6
91145-05016	9 - 21	A226-000080	5 - 15	C535-000001	16 - 6
91147-05020	10 - 16	A226-000220	5 - 15	C535-000010	14 - 14
91147-05020	9 - 16	A226-000320	5 - 15	C535-000011	14 - 14
94035-36201	1 - 18	A226-000320	6 - 15	C535-000011	15 - 14
94042-06001	1 - 26	A226-000360	6 - 15	C535-000011	16 - 14
94064-06202	10 - 11	A226-000360	7 - 15	C550-000080	11 - 11
94064-06202	9 - 11	A232-000090	5 - 18	C550-000080	12 - 11
A011-000120	1 - 15	A232-000091	5 - 18	C550-000090	11 - 21
A014-000000	1 - 5	A232-000300	5 - 18	C550-000090	12 - 21
A021-000340	17 -	A232-000320	5 - 32	C550-000100	11 - 20
A021-000340	5 - 9	A232-000320	6 - 32	C550-000100	12 - 15
A021-000341	17 -	A232-000320	7 - 32	C554-000000	11 - 12
A021-000341	5 - 9	A235-000060	5 - 10	C554-000030	12 - 12
A021-000591	17 -	A239-000050	7 - 33	C617-000090	10 - 19
A021-000591	5 - 9	A244-000010	5 - 13	C617-000090	9 - 19
A021-001030	17 -	A244-000010	6 - 13	C620-000110	10 - 23
A021-001030	5 - 9	A244-000010	7 - 13	C620-000110	9 - 23
A021-001160	18 -	A248-000000	13 - 47	C627-000020	10 - 6
A021-001160	5 - 9	A300-000180	5 - 21	C627-000020	9 - 6
A021-001160	6 - 9	A320-000070	5 - 24	C632-000010	10 - 4
A021-001160	7 - 9	A320-000070	6 - 24	C632-000010	9 - 4
A051-000070	3 - 26	A320-000071	7 - 24	J485-000030	5 - 11
A051-000070	4 - 26	A323-000000	5 - 17	P003-000090	17 - 21

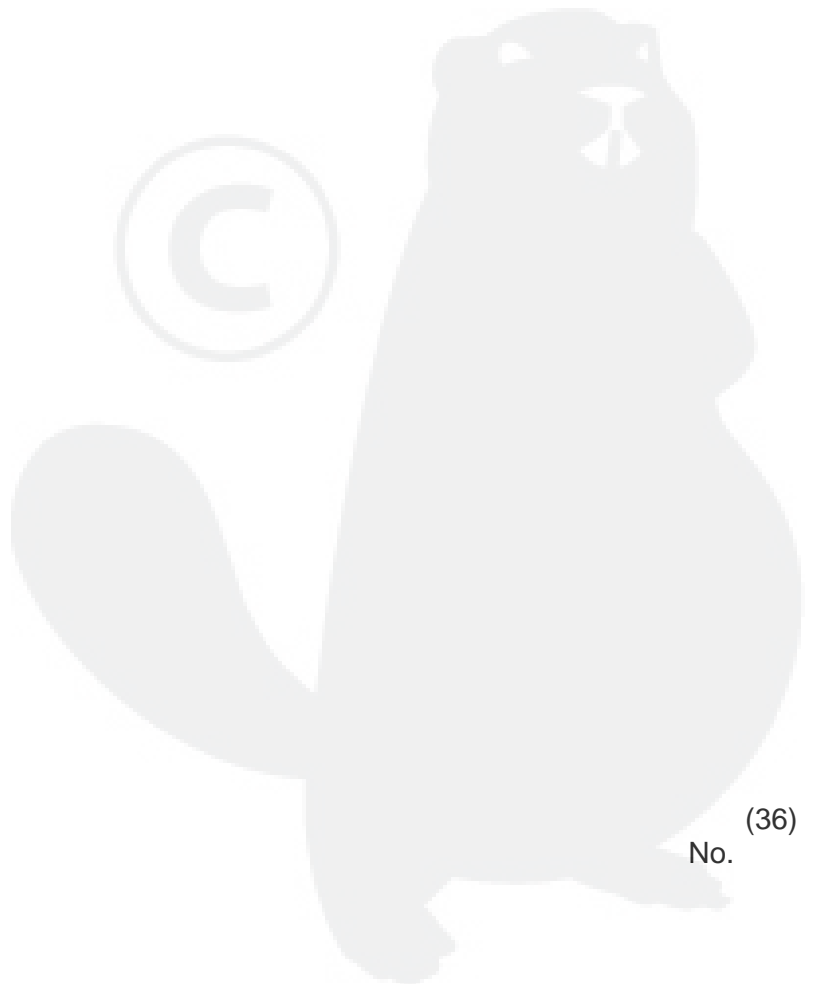
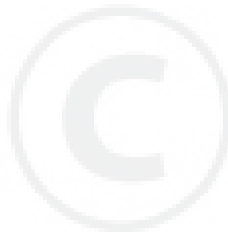
Index

Patrs Number	Key No.	Patrs Number	Key No.	Patrs Number	Key No.
P003-000090	18 - 18	P021-012591	16 - 2	V451-000480	2 - 13
P003-000100	17 - 11	P021-013770	12 - 10	V453-000070	2 - 16
P003-000100	18 - 8	P021-014320	16 - 42	V471-001560	5 - 26
P003-000180	17 - 4	P022-002080	3 - 28	V471-001560	6 - 26
P003-000180	18 - 2	P022-002080	4 - 28	V471-001560	7 - 26
P003-000510	17 - 13	P022-002090	3 - 22	V475-001500	13 - 41
P003-000700	17 - 10	P022-002090	4 - 22	V475-001510	5 - 6
P003-000710	17 - 2	P022-002100	3 - 21	V475-001510	6 - 6
P003-000980	17 - 10	P022-002100	4 - 21	V475-001510	7 - 6
P003-001130	17 - 26	P022-002110	1 - 7	V475-001610	2 - 5
P003-001130	18 - 7	P022-007890	10 - 2	V485-000150	2 - 8
P003-001490	18 - 10	P022-007890	9 - 2	V580-000010	1 - 12
P003-001500	18 - 19	V100-000040	1 - 4	V580-000010	1 - 12
P021-002470	1 - 16	V102-000000	1 - 20	V580-000010	1 - 12
P021-002471	1 - 16	V102-000001	1 - 20	V608-000000	1 - 11
P021-002480	2 - 11	V103-000070	5 - 2	V608-000000	1 - 11
P021-002481	2 - 11	V103-000070	6 - 2	V608-000000	1 - 11
P021-002490	5 - 12	V103-000070	7 - 2	X405-000000	14 - 30
P021-002491	5 - 12	V103-000080	5 - 5	X405-000001	14 - 30
P021-002620	11 - 10	V103-000080	6 - 5	X405-000001	15 - 30
P021-003561	1 - 9	V103-000080	7 - 5	X405-000001	16 - 30
P021-005000	1 - 9	V104-000210	5 - 19	X495-000250	16 - 43
P021-005001	1 - 9	V104-000210	6 - 19	X502-000460	4 - 35
P021-005910	2 - 18	V104-000210	7 - 19	X503-002870	1 - 40
P021-005911	2 - 18	V141-000020	2 - 4	X602-000020	11 - 3
P021-007470	14 - 33	V150-000550	5 - 22	X602-000020	12 - 3
P021-007470	15 - 33	V150-000550	6 - 22	X690-000030	11 - 5
P021-007470	16 - 33	V150-000550	7 - 22	X690-000030	12 - 5
P021-008190	2 - 11	V186-000080	6 - 29		
P021-008910	5 - 21	V186-000080	7 - 29		
P021-008910	6 - 21	V186-000120	5 - 29		
P021-008910	7 - 21	V186-000120	6 - 29		
P021-009590	5 - 12	V253-000100	5 - 31		
P021-009590	6 - 12	V253-000100	6 - 31		
P021-009590	7 - 12	V253-000100	7 - 31		
P021-009600	5 - 18	V307-000060	1 - 14		
P021-009600	6 - 18	V307-000060	1 - 14		
P021-009600	7 - 18	V307-000060	1 - 14		
P021-009681	1 - 9	V346-000000	2 - 14		
P021-009681	1 - 9	V353-000020	1 - 37		
P021-009682	1 - 9	V430-000310	5 - 7		
P021-009682	1 - 9	V430-000310	6 - 7		
P021-009691	1 - 1	V430-000310	7 - 7		
P021-009692	1 - 1	V430-000320	13 - 40		
P021-009693	1 - 1	V430-000321	13 - 40		
P021-011150	1 - 9	V450-000140	9 - 14		
P021-011160	1 - 43	V450-000141	10 - 14		
P021-011170	1 - 42	V450-000141	9 - 14		
P021-012590	15 - 1	V451-000230	2 - 13		

YAMABIKO CORPORATION

7-2 SUEHIROCHO 1-CHOME, OHME, TOKYO 198-8760, JAPAN
PHONE: 81-428-32-6118. FAX: 81-428-32-6145.

ECHO[®]



(36)
No.