



PARTS CATALOG

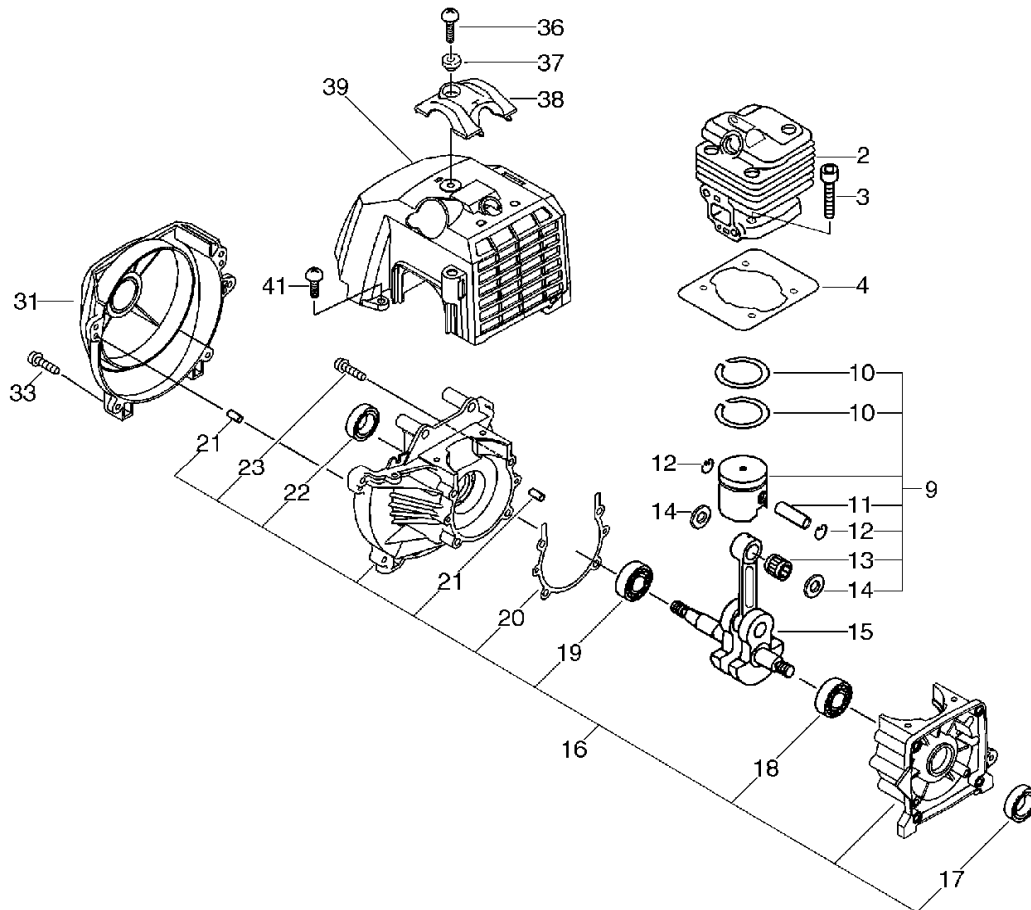
BACKPACK BRUSHCUTTER RME-4300K



RME-4300K

1. Cylinder, Crankcase, Piston, Fan Cover

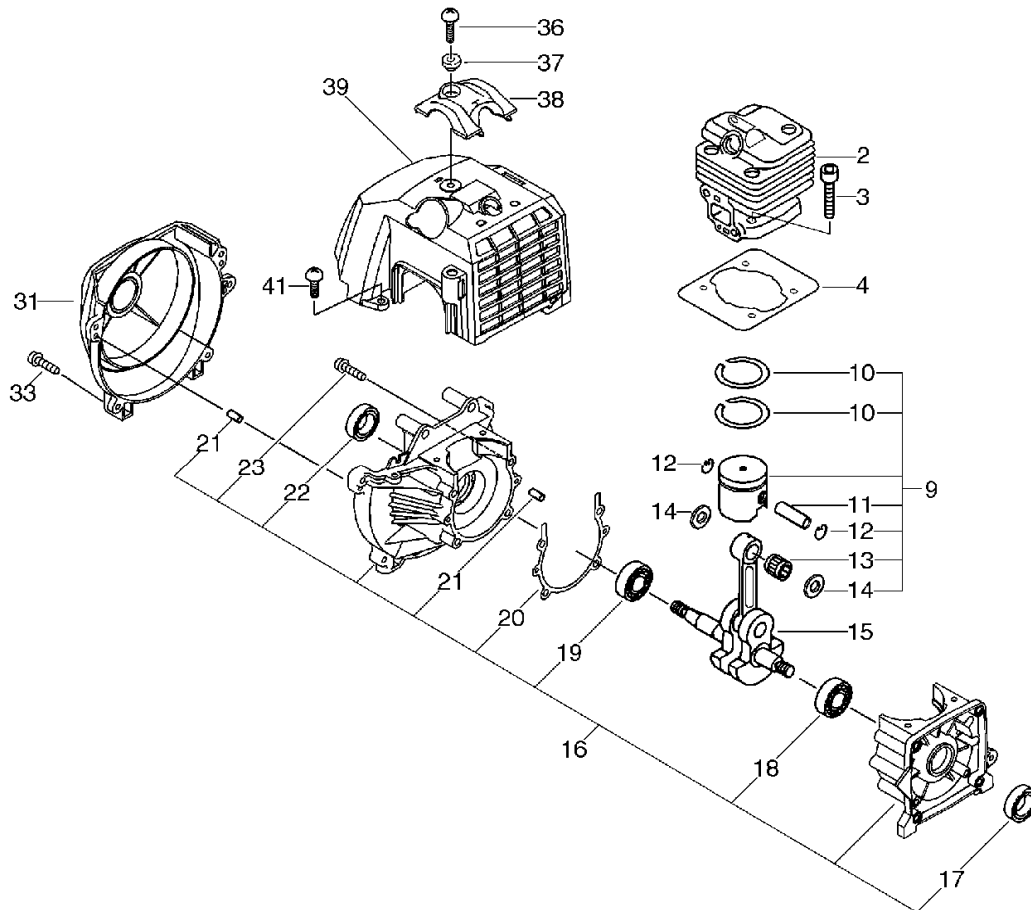
No.1



KEY	LV	PART NUMBER	Q'TY	DESCRIPTION	REMARKS	NOTE1	NOTE2
2		A130-000290	1	CYLINDER		Sus. by A130-000292	
2		A130-000291	1	CYLINDER		Sus. by A130-000292	
2		A130-000292	1	CYLINDER			
3		900162-05020	4	BOLT, H.S. 5*20	5*20 W,SW		
4		V100-000040	1	GASKET,CYL			
9		P021-002460	1	PISTON KIT			
10	+	100011-10530	2	RING, PISTON			
11	+	V608-000000	1	PIN,ENG 10			
12	+	100015-00120	2	CIRCLIP, PISTON PIN			
13	+	100012-12331	1	BEARING, NEEDLE			
14	+	V307-000060	2	WASHER,CIRCULAR 10			
15		A011-000120	1	CRANKSHAFT,ASM			
16		P021-002471	1	CRANKCASE SET			
17	+	100213-05530	1	OILSEAL	ISCD 12 22 7		
18	+	94035-36201	1	BEARING BALL	6201X3JR2C3		
19	+	900810-36202	1	BEARING, BALL 6202	6202/C3		
20	+	V102-000001	1	GASKET,CRANKCASE			
21	+	100215-03930	4	PIN, DOWEL			
22	+	100213-00310	1	OILSEAL	ISCD 15 25 7		
23	+	900162-05035	4	BOLT, H.S. 5*35	5*35 W,SW		
31		A172-000350	1	COVER,FAN			
33		900238-05020	4	SCREW 5*20	5*20		
36		900239-05022	1	SCREW 5*22	5*22		
37		V353-000020	1	COLLAR,5	12*5.5*4.5L		

1. Cylinder, Crankcase, Piston, Fan Cover

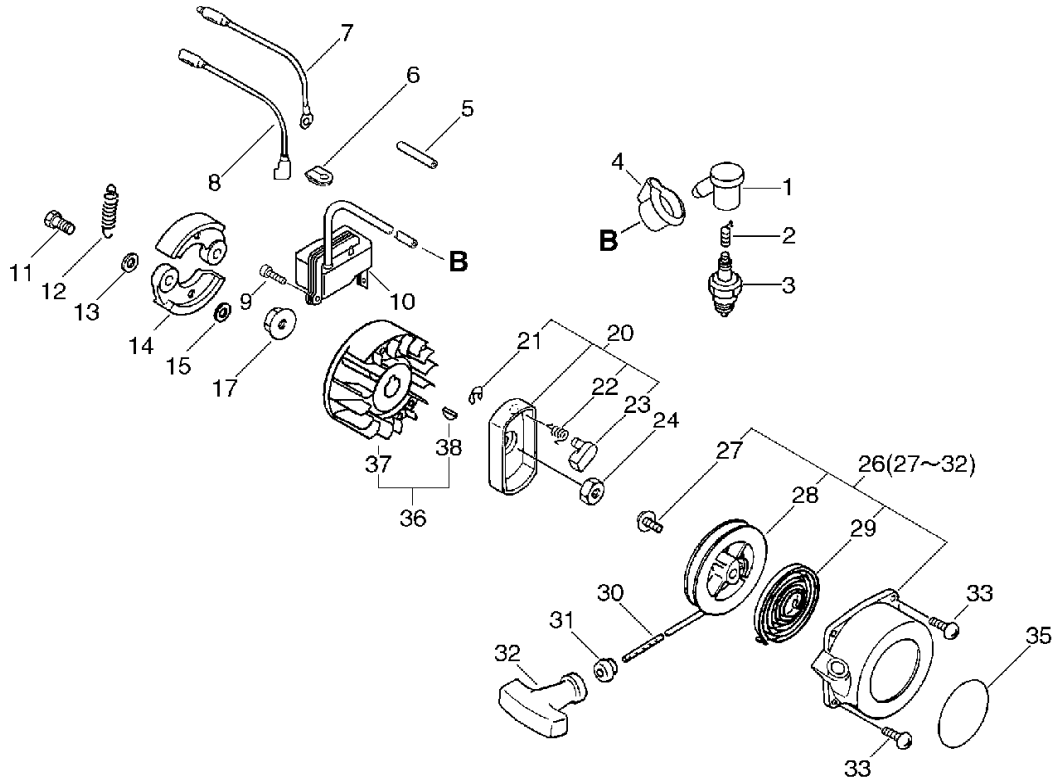
No.1



KEY	LV	PART NUMBER	Q'TY	DESCRIPTION	REMARKS	NOTE1	NOTE2
38		A162-000020	1	GUARD, TOP			
39		A160-000241	1	COVER, CYLINDER			
41		900238-05014	1	SCREW 5*14	5*14		

2. Starter, Magneto, Clutch

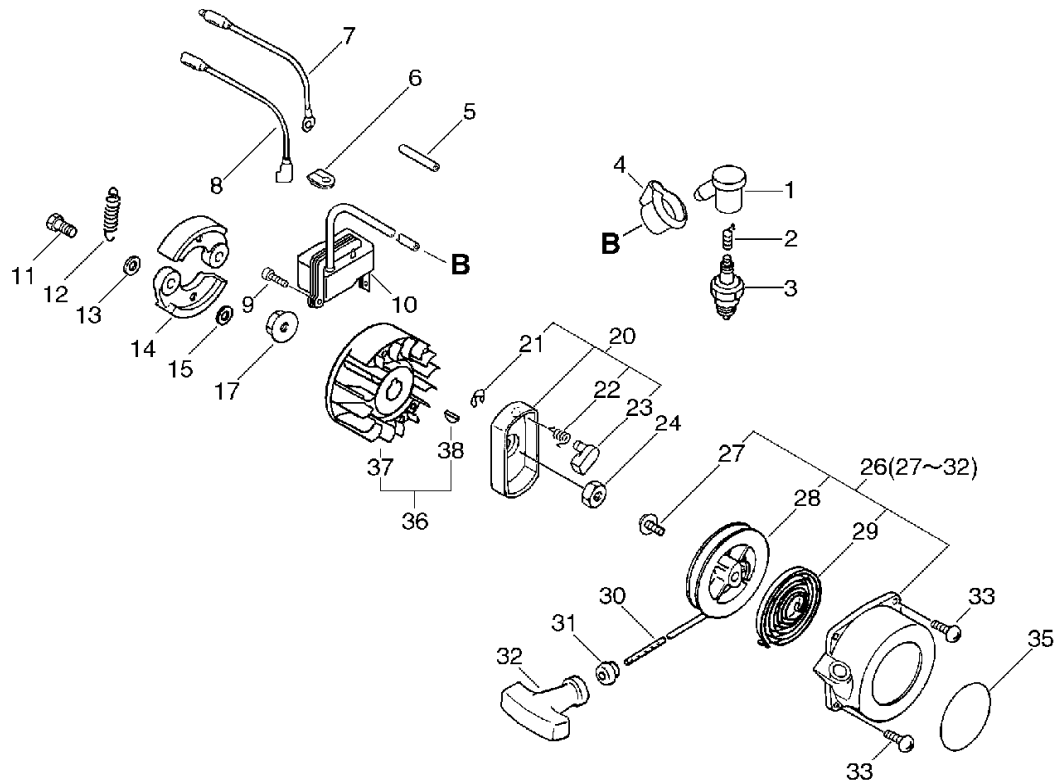
No.2



KEY	LV	PART NUMBER	Q'TY	DESCRIPTION	REMARKS	NOTE1	NOTE2
1		A427-000000	1	CAP, SPARK PLUG			
2		A426-000000	1	TERMINAL, SPARK PLUG			
3		159017-16431	1	PLUG, SPARK (CJ-6Y)	CJ-6Y		
4		V141-000020	1	GROMMET, PLUG			
5		V475-001610	1	TUBE	7*8.6*55 HST-10		
6		156114-04920	1	GROMMET			
7		162010-29330	1	LEAD, GROUND			
8		V485-000150	1	LEAD			
9		900162-05020	2	BOLT, H.S. 5*20	5*20 W,SW		
10		A411-000050	1	COIL, IGNITION			
11		175046-06230	2	BOLT, CLUTCH			
12		175018-42230	1	SPRING, CLUTCH			
13		175048-03920	2	WASHER			
14		175009-42231	2	SHOE, CLUTCH			
15		175049-03920	2	WASHER			
17		900519-00010	1	NUT, FLANGE 10	10*1.25		
20		A052-000010	1	PULLEY, ASM STARTER		Sus. by A052-000011	
20		A052-000011	1	PULLEY, ASM STARTER			
21	+	P022-002100	1	E-RING	4		
22	+	P022-002090	1	SPRING, RETURN	A0522160050		
23	+	177218-40630	1	PAWL, STARTER	WHITE		
24		900502-00008	1	NUT 8 (3N)	3N8		
26		A051-000070	1	STARTER, RECOIL			
27	+	177236-06910	1	SCREW			

2. Starter, Magneto, Clutch

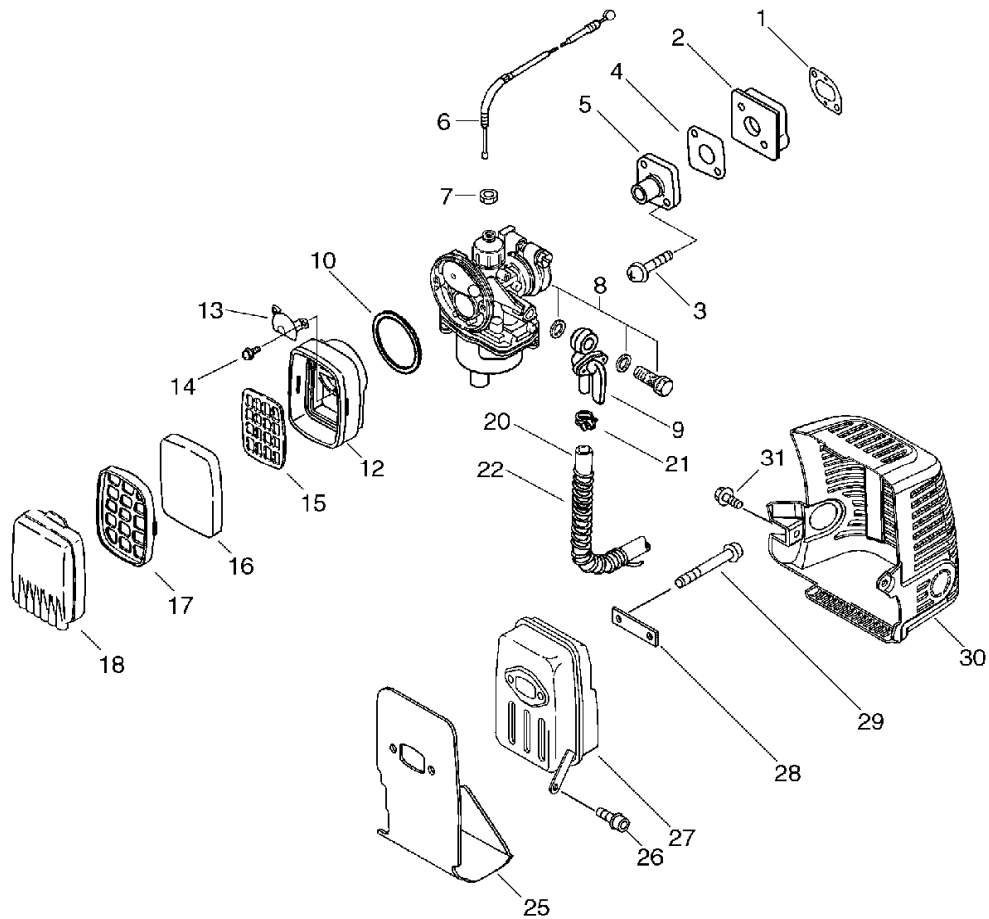
No.2



KEY	LV	PART NUMBER	Q'TY	DESCRIPTION	REMARKS	NOTE1	NOTE2
28	+	P022-002080	1	DRUM, STARTER			
29	+	177220-06310	1	SPRING, REWIND			
30	+	177226-06310	1	ROPE, STARTER	3.8*1150		
31	+	177227-42030	1	GUIDE, ROPE			
32	+	177228-27030	1	GRIP, STARTER			
33		900239-05022	4	SCREW 5*22	5*22		
35		890118-17930	1	LABEL, ECHO			
37		A409-000061	1	ROTOR,MAGNETO		Sus. by P021-005911	
36		P021-005910	1	ROTOR,MAGNETO KIT		Sus. by P021-005911	
36		P021-005911	1	ROTOR,MAGNETO KIT			
37	+	A409-000062	1	ROTOR,MAGNETO		Can be used P021-005910 and 005911	
37	+	A409-000063	1	ROTOR,MAGNETO		Can be used P021-005910 and 005911	
38	+	900323-03014	1	KEY WOODRUFF	3*14	Can be used P021-005910 and 005911	

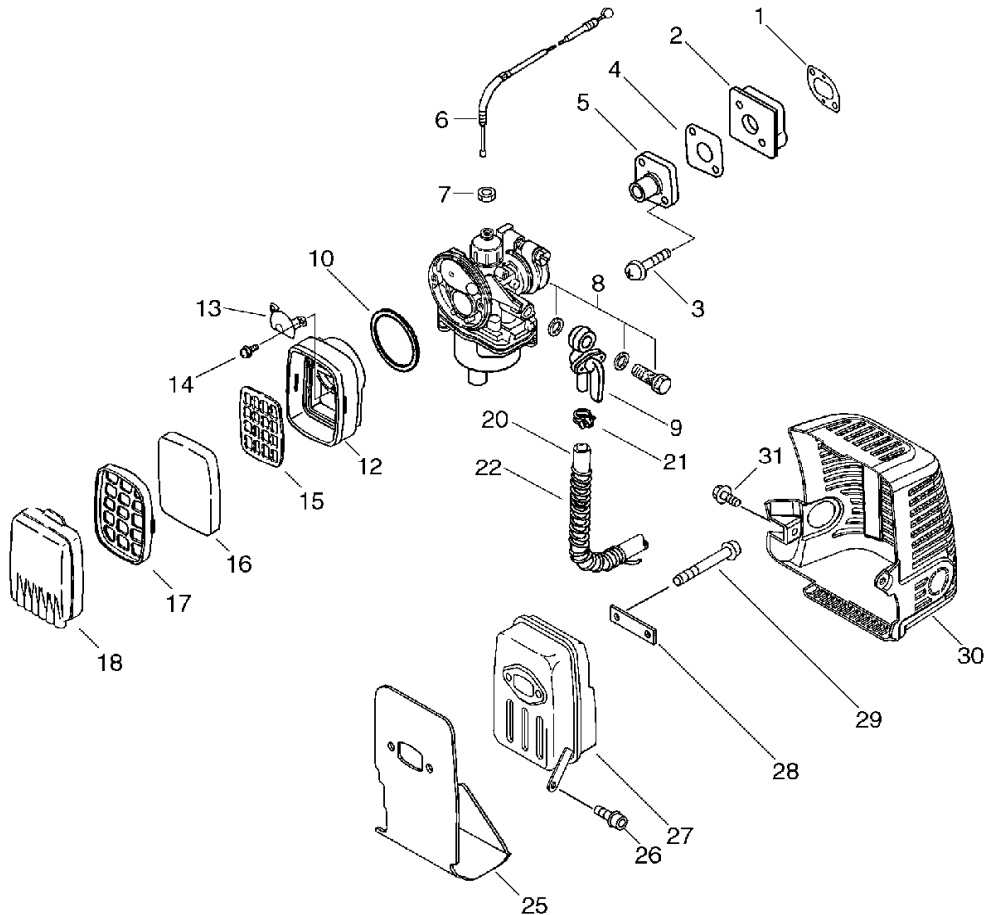
3. Air Cleaner, Muffler

No.3



KEY	LV	PART NUMBER	Q'TY	DESCRIPTION	REMARKS	NOTE1	NOTE2
1		V103-000070	1	GASKET,INTAKE			
2		A200-000110	1	INSULATOR,INTAKE			
3		900238-05030	2	SCREW 5*30	5*30		
4		V103-000170	1	GASKET,INTAKE			
5		A201-000000	1	FLANGE,INTAKE CARB			
6		178004-22030	1	WIRE, THROTTLE			
7		178021-05530	1	LOCKNUT			
8		A020-000011	1	CARBURETOR,FLOAT	TK PC11R		
9		132200-00512	1	VALVE ASS'Y, FUEL			
10		130320-05810	1	SEAL, CLEANER			
12		130307-10321	1	CASE, AIR CLEANER			
13		129011-05110	1	PLATE			
14		900242-04010	2	SCREW 4*10	4*10		
15		130319-03710	1	GRID, AIR CLEANER			
16		A226-000150	1	ELEMENT,AIR FILTER			
17		130311-03710	1	GRID, AIR CLEANER			
18		130313-10720	1	COVER, AIR CLEANER			
20		132010-46630	1	PIPE, FUEL	7*11*470 BL		
21		132013-14010	2	BAND	10.5MM		
22		132015-22030	1	COIL, FUEL PIPE			
25		V104-000210	1	GASKET,EXHAUST			
26		900162-05012	1	BOLT, H.S. 5*12	5*12 W,SW		
27		A300-000320	1	MUFFLER,EXHAUST			
28		V150-000550	1	PLATE,EYE			
29		900105-06060	2	BOLT, H.S. 6*60	6*60		
30		A320-000070	1	COVER,MUFFLER			

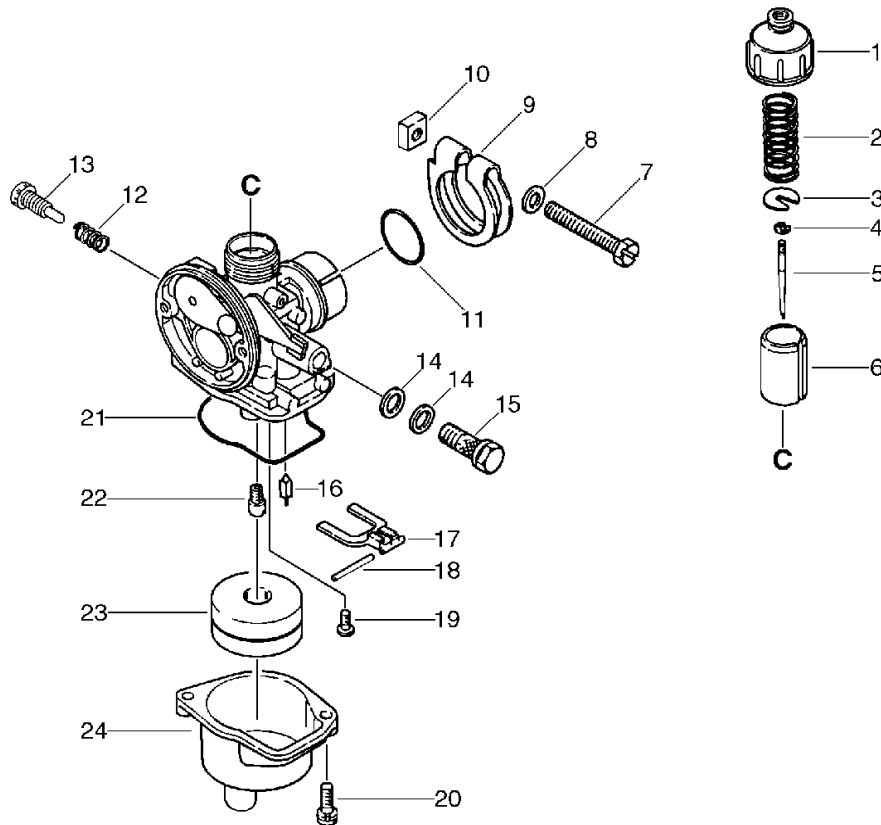
3. Air Cleaner, Muffler
No.3



KEY	LV	PART NUMBER	Q'TY	DESCRIPTION	REMARKS	NOTE1	NOTE2
31		900238-05014	1	SCREW 5*14	5*14		

4. Carburetor

No.4



KEY	LV	PART NUMBER	Q'TY	DESCRIPTION	REMARKS	NOTE1	NOTE2
		A020-000011	1	CARBURETOR,FLOAT	TK PC11R		
1	+	124113-05530	1	COVER, TOP			
2	+	124114-05530	1	SPRING, THROTTLE			
3	+	124115-05530	1	SEAT, SPRING			
4	+	124116-05530	1	E-RING			
5	+	P004-000130	1	NEEDLE, JET			
6	+	124118-47230	1	VALVE, THROTTLE			
7	+	124147-46630	1	BOLT			
8	+	900600-00005	1	WASHER 5	5		
9	+	124146-46630	1	CLIP, OUTLET			
10	+	124151-13020	1	NUT			
11	+	124149-46630	1	GASKET, FRANGE			
12	+	124160-11120	1	SPRING, IDLE ADJUST			
13	+	124159-46630	1	SCREW, IDLE ADJUST			
14	+	124130-05930	2	GASKET			
15	+	124131-05930	1	BOLT, BANJO			
16	+	124102-11120	1	VALVE ASY, NEEDLE			
17	+	124121-46630	1	ARM, FLOAT			
18	+	124132-46630	1	PIN, LEVER			
19	+	900220-03006	1	SCREW 3*6	3*6		
20	+	900220-04016	2	SCREW 4*16	4*16		
21	+	124123-46631	1	GASKET, CHAMBER			
22	+	124122-46630	1	JET, MAIN			
23	+	124133-11120	1	FLOAT			
24	+	124104-46630	1	CHAMBER ASY, FLOAT			

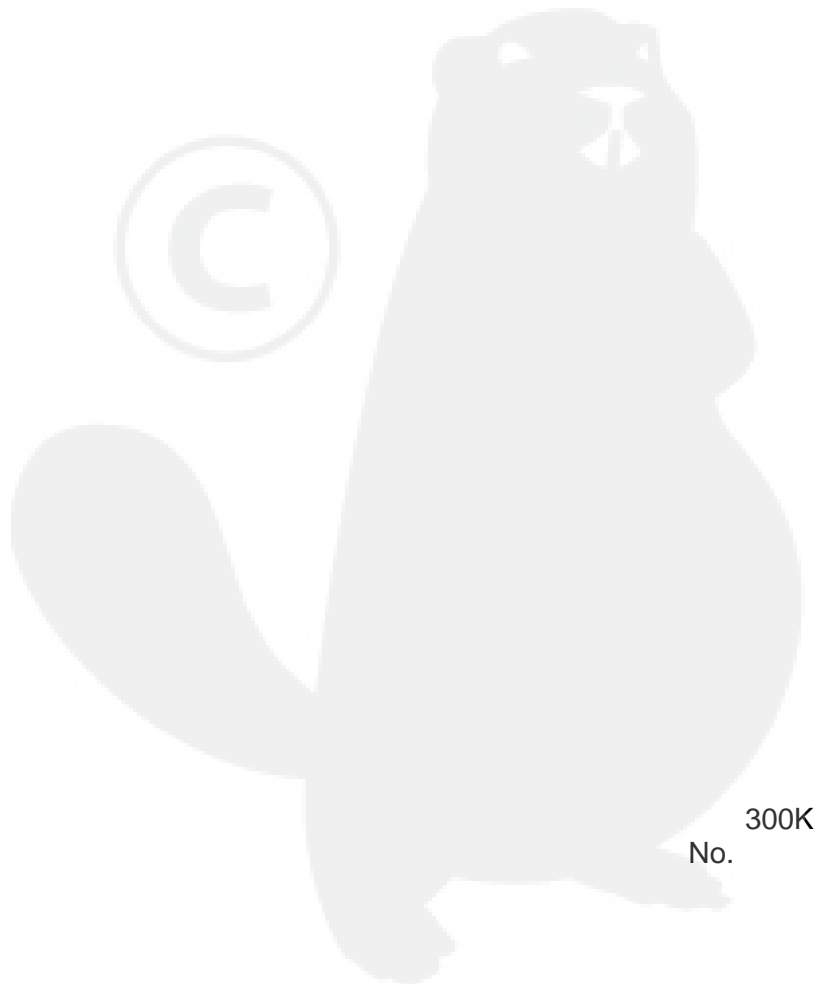
Index

Patrs Number	Key No.	Patrs Number	Key No.	Patrs Number	Key No.
100011-10530	1 - 10	177236-06910	2 - 27	P021-002471	1 - 16
100012-12331	1 - 13	178004-22030	3 - 6	P021-005910	2 - 36
100015-00120	1 - 12	178021-05530	3 - 7	P021-005911	2 - 36
100213-00310	1 - 22	890118-17930	2 - 35	P022-002080	2 - 28
100213-05530	1 - 17	900105-06060	3 - 29	P022-002090	2 - 22
100215-03930	1 - 21	900162-05012	3 - 26	P022-002100	2 - 21
124102-11120	4 - 16	900162-05020	1 - 3	V100-000040	1 - 4
124104-46630	4 - 24	900162-05020	2 - 9	V102-000001	1 - 20
124113-05530	4 - 1	900162-05035	1 - 23	V103-000070	3 - 1
124114-05530	4 - 2	900220-03006	4 - 19	V103-000170	3 - 4
124115-05530	4 - 3	900220-04016	4 - 20	V104-000210	3 - 25
124116-05530	4 - 4	900238-05014	1 - 41	V141-000020	2 - 4
124118-47230	4 - 6	900238-05014	3 - 31	V150-000550	3 - 28
124121-46630	4 - 17	900238-05020	1 - 33	V307-000060	1 - 14
124122-46630	4 - 22	900238-05030	3 - 3	V353-000020	1 - 37
124123-46631	4 - 21	900239-05022	1 - 36	V475-001610	2 - 5
124130-05930	4 - 14	900239-05022	2 - 33	V485-000150	2 - 8
124131-05930	4 - 15	900242-04010	3 - 14	V608-000000	1 - 11
124132-46630	4 - 18	900323-03014	2 - 38		
124133-11120	4 - 23	900502-00008	2 - 24		
124146-46630	4 - 9	900519-00010	2 - 17		
124147-46630	4 - 7	900600-00005	4 - 8		
124149-46630	4 - 11	900810-36202	1 - 19		
124151-13020	4 - 10	94035-36201	1 - 18		
124159-46630	4 - 13	A011-000120	1 - 15		
124160-11120	4 - 12	A020-000011	3 - 8		
129011-05110	3 - 13	A020-000011	4 -		
130307-10321	3 - 12	A051-000070	2 - 26		
130311-03710	3 - 17	A052-000010	2 - 20		
130313-10720	3 - 18	A052-000011	2 - 20		
130319-03710	3 - 15	A130-000290	1 - 2		
130320-05810	3 - 10	A130-000291	1 - 2		
132010-46630	3 - 20	A130-000292	1 - 2		
132013-14010	3 - 21	A160-000241	1 - 39		
132015-22030	3 - 22	A162-000020	1 - 38		
132200-00512	3 - 9	A172-000350	1 - 31		
156114-04920	2 - 6	A200-000110	3 - 2		
159017-16431	2 - 3	A201-000000	3 - 5		
162010-29330	2 - 7	A226-000150	3 - 16		
175009-42231	2 - 14	A300-000320	3 - 27		
175018-42230	2 - 12	A320-000070	3 - 30		
175046-06230	2 - 11	A409-000061	2 - 37		
175048-03920	2 - 13	A409-000062	2 - 37		
175049-03920	2 - 15	A409-000063	2 - 37		
177218-40630	2 - 23	A411-000050	2 - 10		
177220-06310	2 - 29	A426-000000	2 - 2		
177226-06310	2 - 30	A427-000000	2 - 1		
177227-42030	2 - 31	P004-000130	4 - 5		
177228-27030	2 - 32	P021-002460	1 - 9		

YAMABIKO CORPORATION

7-2 SUEHIROCHO 1-CHOME, OHME, TOKYO 198-8760, JAPAN
PHONE: 81-428-32-6118. FAX: 81-428-32-6145.

ECHO[®]



300K
No.