



PARTS CATALOG

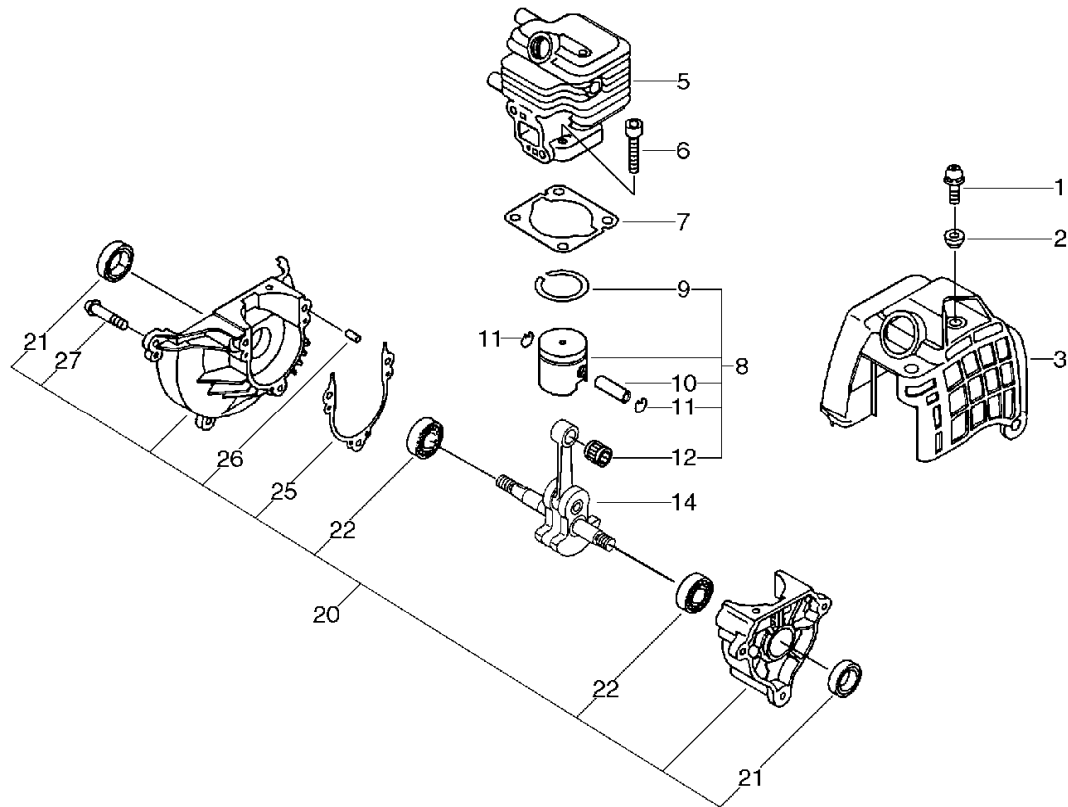
GRASS-TRIMMER / BRUSHCUTTER

SRM-2001S

SRM-2001S

1. Cylinder, Crankcase, Piston

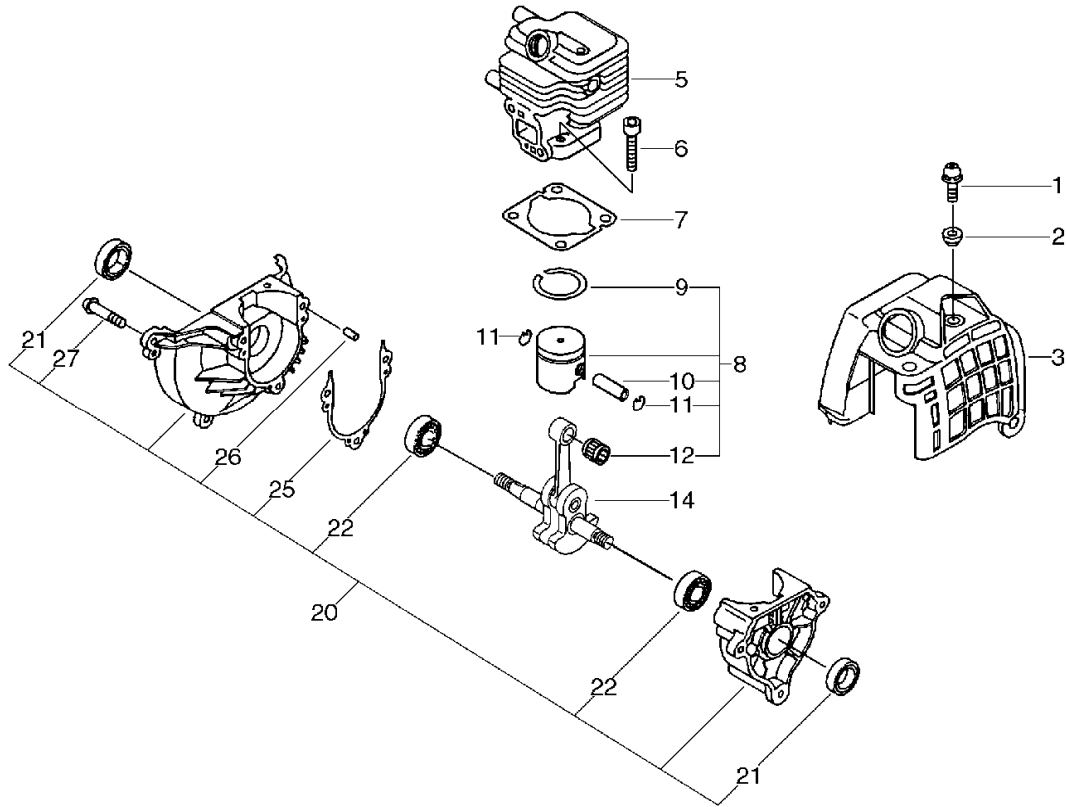
No.1



KEY	LV	PART NUMBER	Q'TY	DESCRIPTION	REMARKS	NOTE1	NOTE2
1		900239-05018	1	SCREW 5*18	5*18		
2		150117-16430	1	SPACER			
3		101514-61831	1	COVER, CYLINDER			
5		101011-61830	1	CYLINDER		Sus. by 101011-61831	
5		101011-61831	1	CYLINDER			
6		900162-05020	2	BOLT, H.S. 5*20	5*20 W,SW		
7		101010-61830	1	GASKET, CYL. BASE			
8		100000-61830	1	PISTON KIT			
9	+	100011-05330	1	RING, PISTON			
10	+	100013-61830	1	PIN, PISTON			
11	+	100015-61830	2	RING, SNAP			
12	+	100012-61830	1	BEARING, NEEDLE			
14		100100-61831	1	CRANKSHAFT			
20		100204-61832	1	CRANKCASE KIT		Sus. by 100204-61833	
20		100204-61833	1	CRANKCASE KIT			
21	+	100212-61830	2	OILSEAL	ISCD 10*20*5		
22	+	900810-36000	2	BEARING, BALL			
25	+	100242-61830	1	GASKET, CRANKCASE			
26	+	100215-03930	2	PIN, DOWEL			
27	+	900162-05020	3	BOLT, H.S. 5*20	5*20 W,SW	Can be used on the 100204-61832 only	

1. Cylinder, Crankcase, Piston

No.1

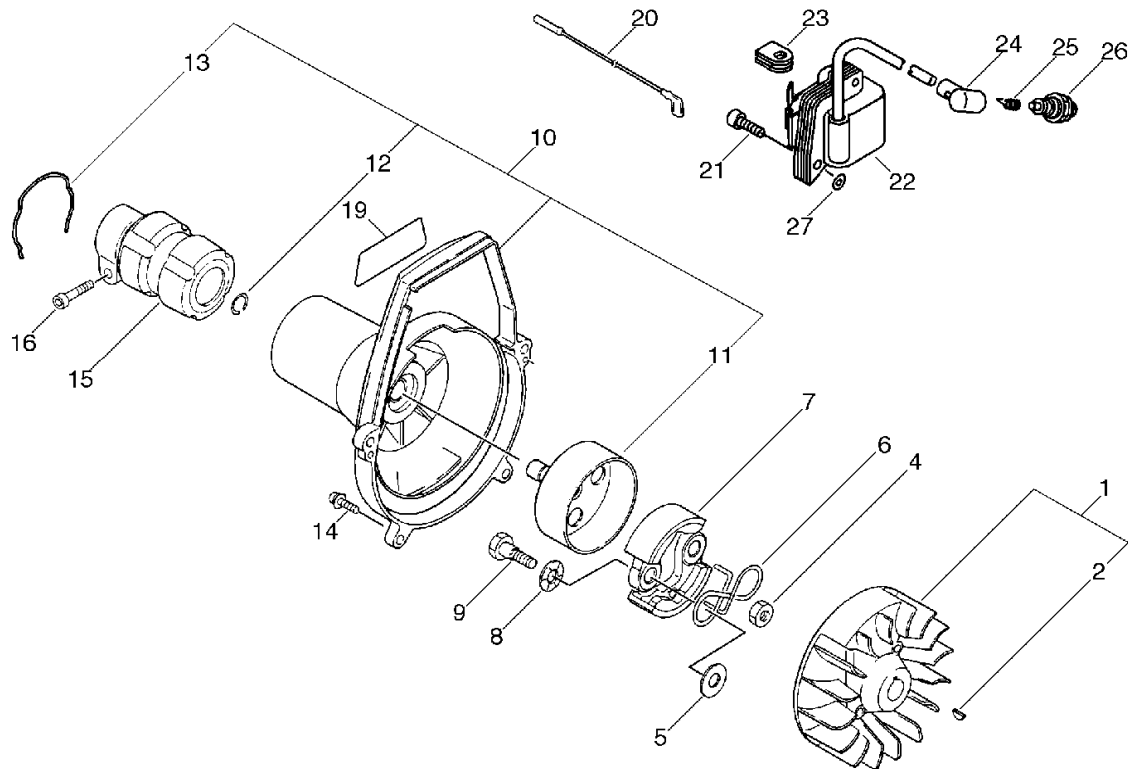


KEY	LV	PART NUMBER	Q'TY	DESCRIPTION	REMARKS	NOTE1	NOTE2
-----	----	-------------	------	-------------	---------	-------	-------

27	+	900162-05025	3	BOLT, H.S. 5*25	5*25 W,SW	Can be used on the 100204-61833 only	
----	---	--------------	---	-----------------	-----------	--------------------------------------	--

2. Fan Cover, Magneto, Clutch

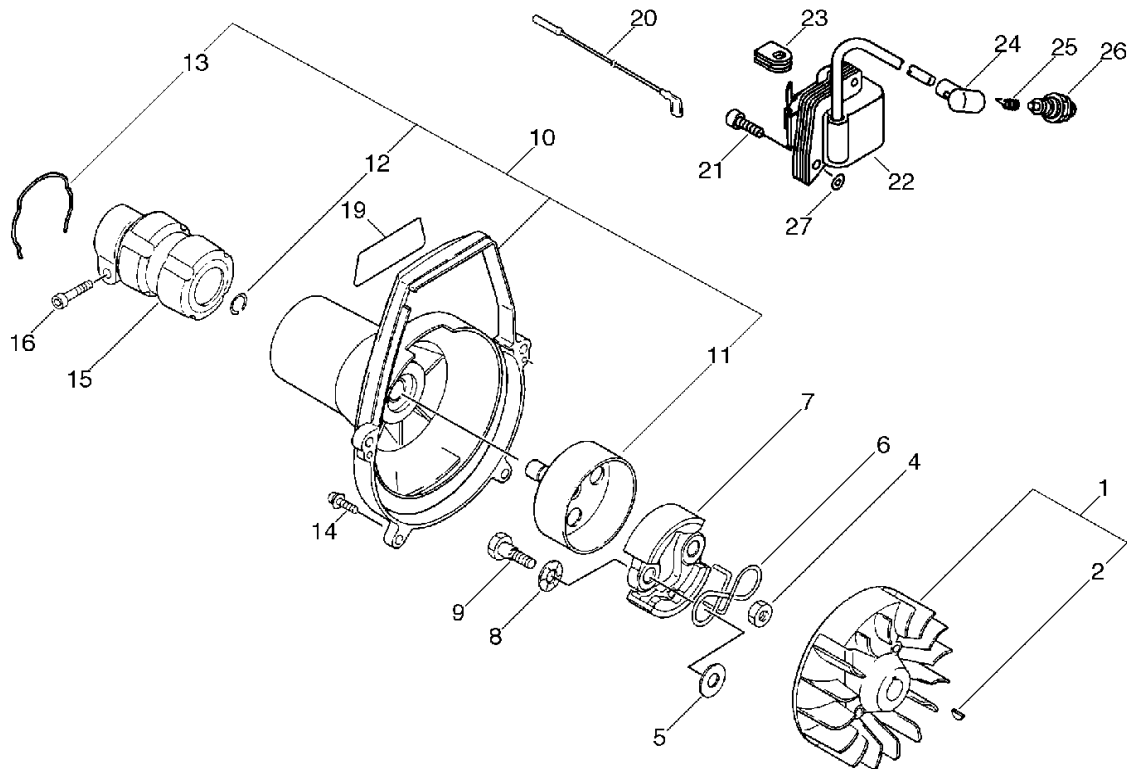
No.2



KEY	LV	PART NUMBER	Q'TY	DESCRIPTION	REMARKS	NOTE1	NOTE2
3		A409-000011	1	ROTOR,MAGNETO		Sus. by P021-003331	
1		P021-003330	1	ROTOR,MAGNETO W/KEY		Sus. by P021-003331	
1		P021-003331	1	ROTOR,MAGNETO W/KEY			
2	+	100142-12330	1	KEY, WOODRUFF		Can be used on the P021-003330 and 003331	
4		900515-00006	1	NUT, FLANGE 6	6		
5		175048-05530	2	WASHER (I)	6.2*19*1.0		
6		175018-05535	1	SPRING, CLUTCH			
7		175009-55930	2	SHOE, CLUTCH		Sus. by 175009-55931	
7		175009-55931	2	SHOE, CLUTCH			
8		175049-56030	2	WASHER	8.5*16*0.5		
9		175046-56030	2	SHAFT, CLUTCH			
10		P021-000341	1	COVER,FAN ASSY			
11	+	A556-000010	1	DRUM,CLUTCH			
12	+	900701-00010	1	CIRCLIP 10	CS-10		
13	+	660316-55630	1	CLIP			
14		900239-05016	4	SCREW 5*16	5*16		
15		610922-55931	1	HOLDER, MAIN PIPE			
16		900162-05028	1	BOLT, H.S. 5*28	5*28 W,SW		
19		X503-002380	1	LABEL,MODEL	SRM-2001S		
20		162010-56430	1	LEAD, GROUND	145L		

2. Fan Cover, Magneto, Clutch

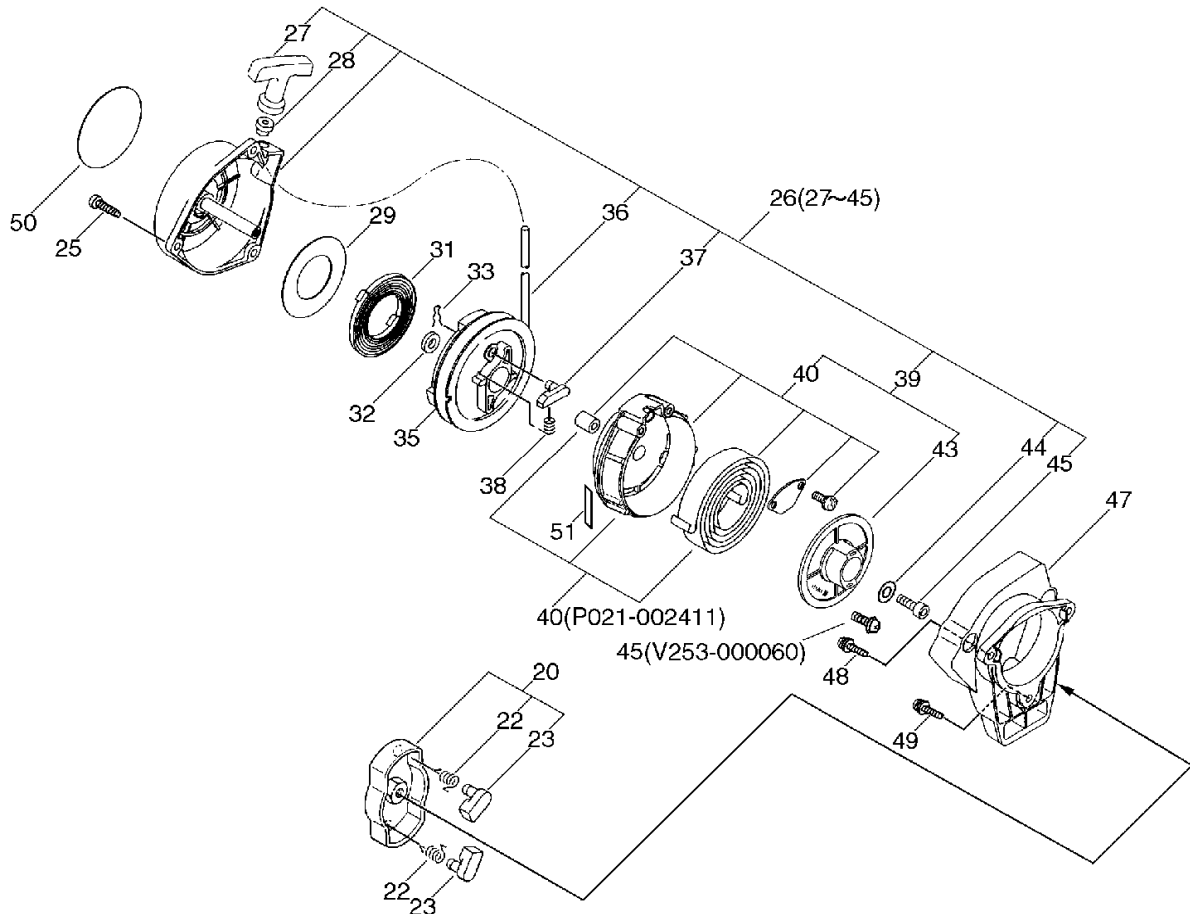
No.2



KEY	LV	PART NUMBER	Q'TY	DESCRIPTION	REMARKS	NOTE1	NOTE2
21		900162-04022	2	BOLT, H.S. 4*22	4*22 W,SW	Sus. by 91128-04022	
21		91128-04022	2	BOLT HSH	CM-4*22		
22		A411-000001	1	COIL,IGNITION			
23		156112-61831	1	GROMMET, H.T.CORD			
24		159012-03433	1	CAP, SPARK PLUG			
25		159011-03432	1	COIL, SPARK PLUG			
26		159010-10230	1	PLUG, SPARK (BPMR-7A)	BPMR-7A		
27		150117-09130	2	SPACER			

3. Starter

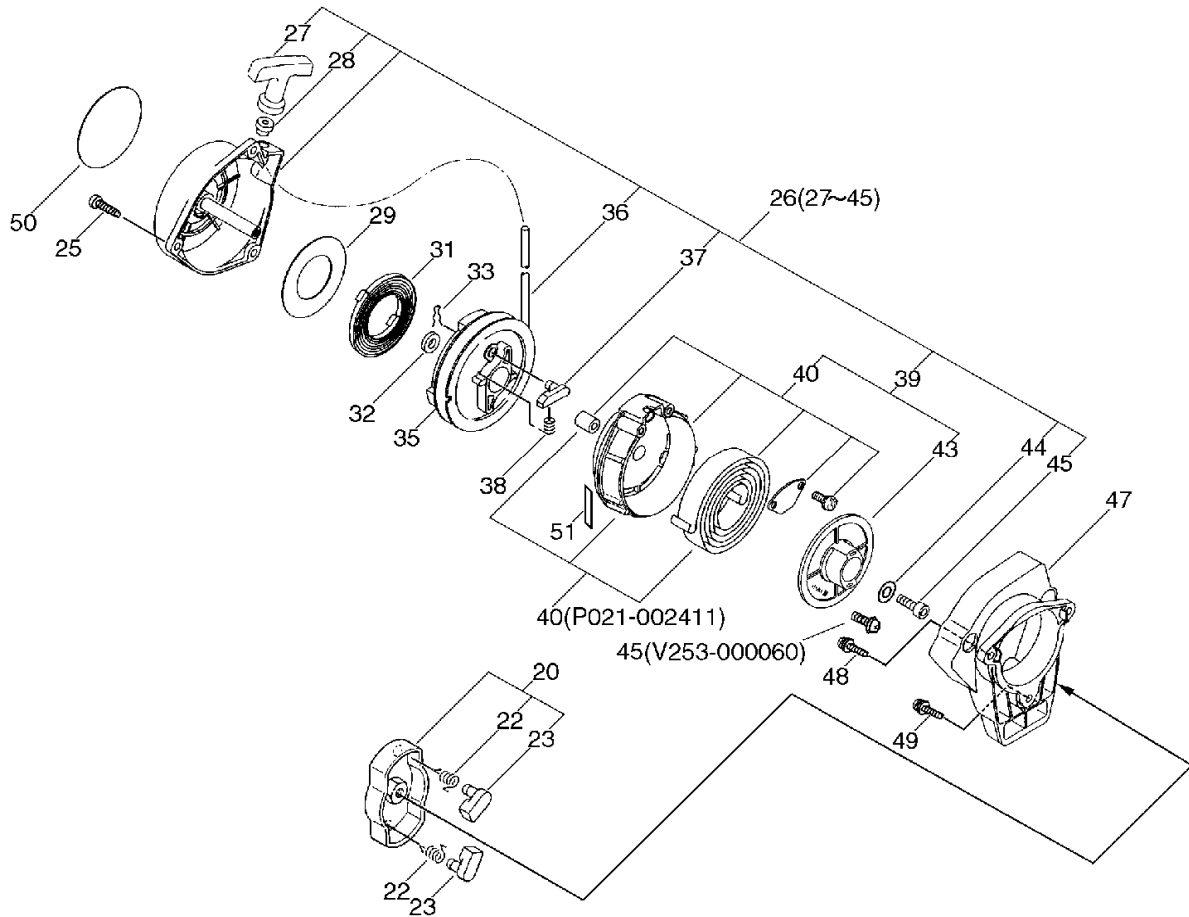
No.3



KEY	LV	PART NUMBER	Q'TY	DESCRIPTION	REMARKS	NOTE1	NOTE2
20		177202-12220	1	PAWL ASSY, STARTER			
22	+	177234-12220	2	SPRING, PAWL			
23	+	177218-44330	2	PAWL, STARTER	BLACK		
25		900253-05020	3	SCREW 5*20	5*20		
26		A051-000043	1	STARTER, RECOIL		Sus. by A051-000044	
26		A051-000044	1	STARTER, RECOIL			
27	+	177228-27030	1	GRIP, STARTER			
28	+	177227-42030	1	GUIDE, ROPE			
29	+	A503-000010	1	PLATE, STARTER			
31	+	A504-000000	1	SPRING, SPIRAL		Sus. by A504-000001	
31	+	A504-000001	1	SPRING, SPIRAL			
32	+	V355-000080	1	COLLAR, 8	8.2*16*3		
33	+	V641-000040	2	PIN, SNAP			
35	+	A506-000010	1	REEL, ROPE			
36	+	177226-10120	1	ROPE, STARTER	3.0*1000		
37	+	A514-000010	2	PAWL			
38	+	V450-000130	2	SPRING, COMPRESSION			
40	+	P021-002411	1	POWER SPRING ASY		Sus. by A053-000000	
39	+	A053-000000	1	SPRING, SET POWER			
40	++	P021-002412	1	POWER SPRING ASY			
43	++	A520-000012	1	PULLEY, STARTING	WHITE	Can be used on the P021-002412 only	

3. Starter

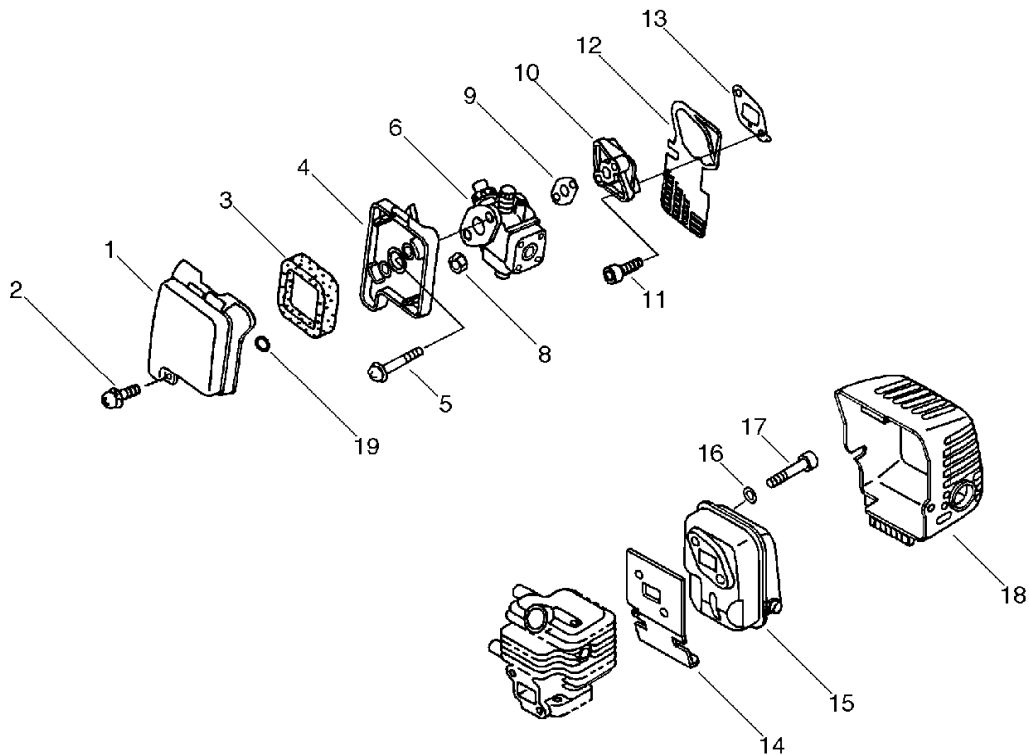
No.3



KEY	LV	PART NUMBER	Q'TY	DESCRIPTION	REMARKS	NOTE1	NOTE2
43	+	A520-000011	1	PULLEY,STARTING		Can be used on the P021-002411 only	
44	+	177214-02830	1	WASHER	5.2*16*1.0T	Nil	
45	+	900105-05012	1	BOLT, H.S. 5*12	5*12	Sus. by V253-000060	
45	+	V253-000060	1	SCREW,5			
47		V376-000180	1	SPACER			
48		900239-05016	2	SCREW 5*16	5*16		
49		900239-05022	1	SCREW 5*22	5*22		
50		X502-000031	1	LABEL,ECHO		Sus. by X502-000032	
50		X502-000032	1	LABEL,ECHO			
51		X505-000620	1	LABEL,CAUTION			

4. Air Cleaner, Muffler

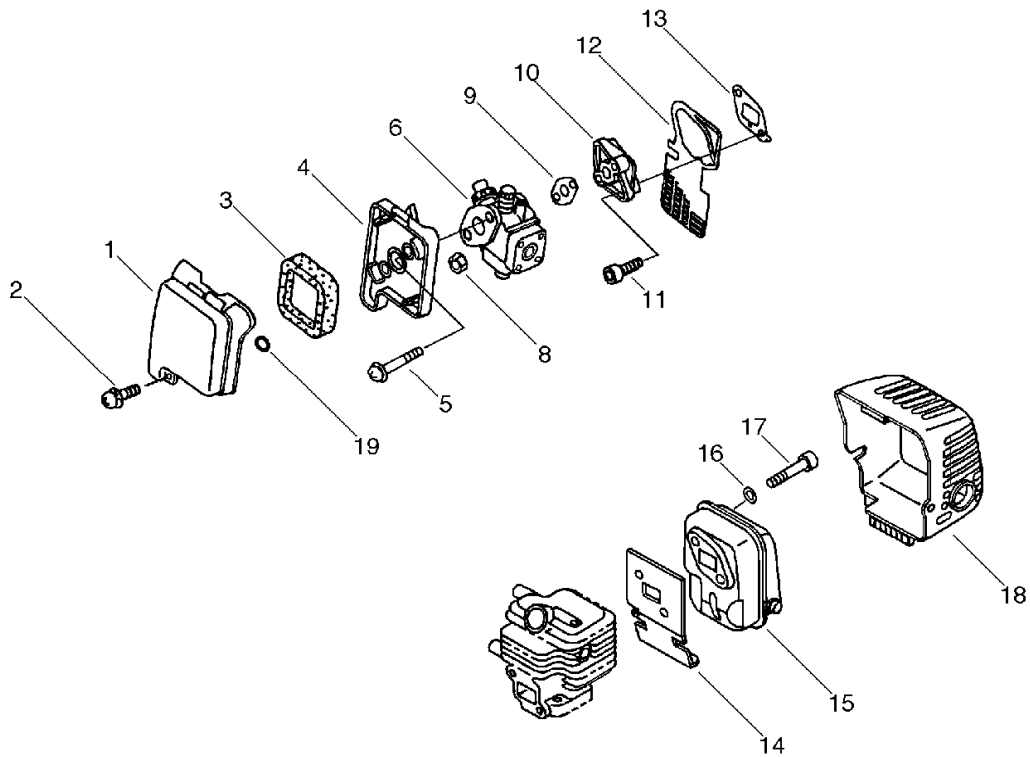
No.4



KEY	LV	PART NUMBER	Q'TY	DESCRIPTION	REMARKS	NOTE1	NOTE2
1		130313-61830	1	COVER, AIR CLEANER			
2		900239-05012	1	SCREW 5*12	5*12		
3		130310-63030	1	FILTER, AIR			
4		130307-61830	1	CASE, AIR CLEANER			
5		900242-05050	2	SCREW 5*50	5*50		
6		125200-61830	1	CARBURETOR	AA-K56		
8		900500-00005	1	NUT 5	5		
9		130016-55930	1	GASKET, INTAKE			
10		130017-61830	1	INSULATOR, INTAKE			
11		900106-05020	2	BOLT, H.S. 5*20	5*20		
12		100283-61831	1	PLATE, DUST		Sus. by A128-000010	
12		A128-000010	1	PLATE, DUST			
13		130010-61830	1	GASKET, INTAKE			
14		145510-61830	1	GASKET, MUFFLER		Sus. by 145510-61832	
14		145510-61831	1	GASKET, MUFFLER		Sus. by 145510-61832	
14		145510-61832	1	GASKET, MUFFLER			
15		145605-61830	1	MUFFLER		Sus. by 145605-61830	
15		A300-000360	1	MUFFLER, EXHAUST		Sus. by 145605-61830	
15		145605-61830	1	MUFFLER			
16		900600-00005	2	WASHER 5	5		
17		900105-05050	2	BOLT, H.S. 5*50	5*50		

4. Air Cleaner, Muffler

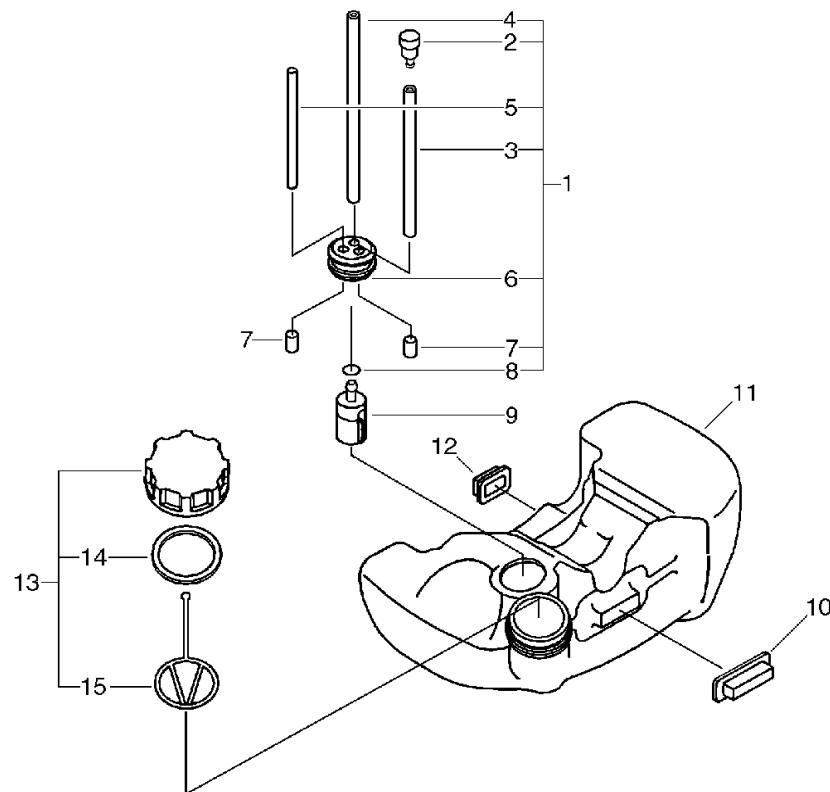
No.4



KEY	LV	PART NUMBER	Q'TY	DESCRIPTION	REMARKS	NOTE1	NOTE2
18		145621-61830	1	COVER, MUFFLER		Sus. by 145621-61831	
18		145621-61831	1	COVER, MUFFLER			
19		900720-00004	1	O-RING (P-4)	P-4		

5. Fuel Tank

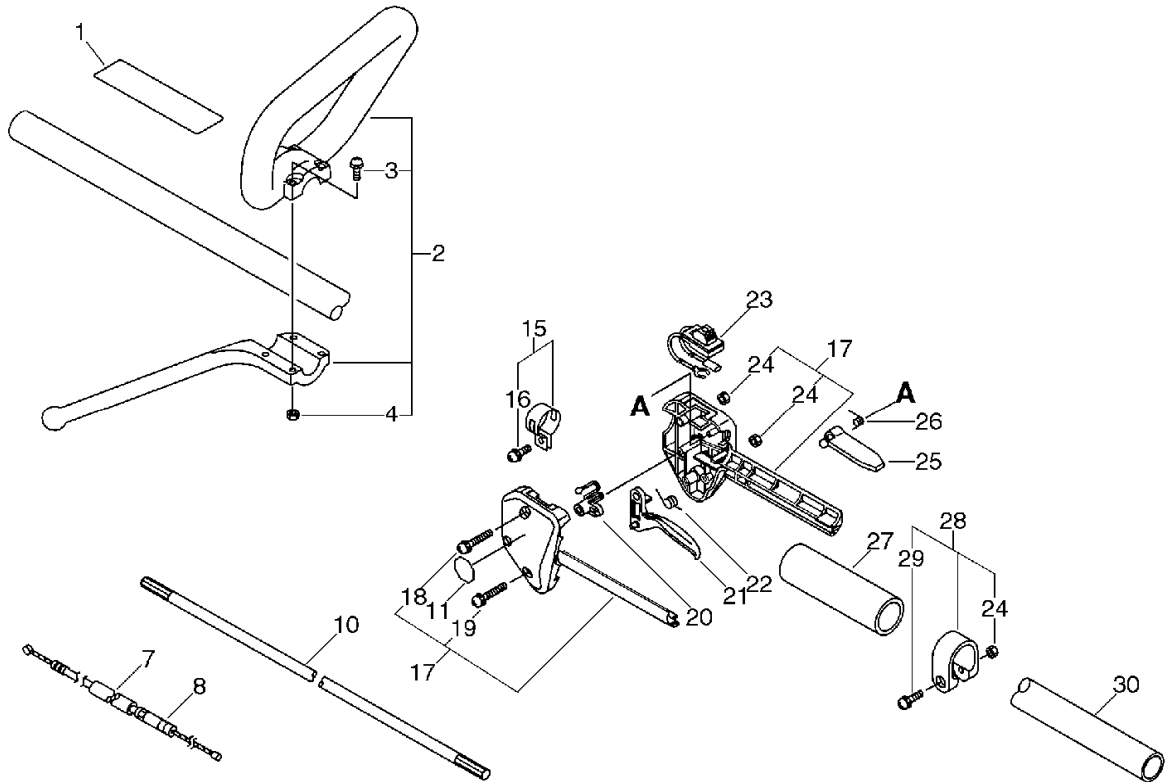
No.5



KEY	LV	PART NUMBER	Q'TY	DESCRIPTION	REMARKS	NOTE1	NOTE2
1		132007-61831	1	PIPE W/GROMMET			
2	+	131300-56430	1	VALVE, CHECK			
3	+	132012-61830	1	PIPE	3*5*95L		
4	+	632201-61830	1	PIPE	3*5*140L		
5	+	132010-61831	1	PIPE	3*5*L60		
6	+	132115-61830	1	GROMMET, PIPE			
7	+	132017-61830	2	COLLAR,3			
8	+	132013-09820	1	CLIP	6MM		
9		131205-19830	1	STRAINER, FUEL			
10		131920-61830	1	CUSHION, FUEL TANK			
11		131010-61830	1	TANK, FUEL		Sus. by 131010-61831	
11		131010-61831	1	TANK, FUEL			
12		131920-55430	2	CUSHION, FUEL TANK			
13		131004-55530	1	CAP ASSY, FUEL TANK			
14	+	131016-55830	1	GASKET, FUEL CAP			
15	+	131051-56030	1	CLIP, FUEL CAP	100L		

6. Handle

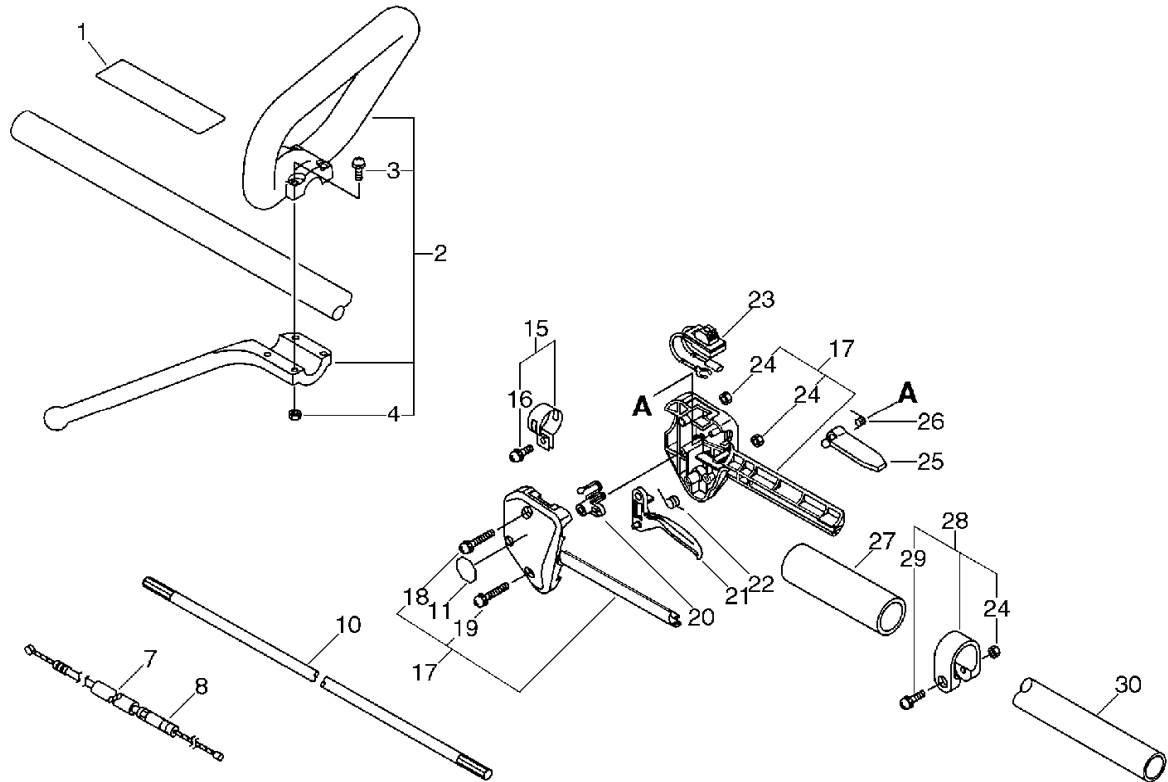
No.6



KEY	LV	PART NUMBER	Q'TY	DESCRIPTION	REMARKS	NOTE1	NOTE2
1		X505-000140	1	LABEL, CAUTION			
2		351201-54130	1	HANDLE ASSY, LOOP			
3	+	900242-05035	4	SCREW 5*35	5*35		
4	+	900500-00005	4	NUT 5	5		
7		V475-001280	1	TUBE			
8		V430-000260	1	CABLE, BOWDEN		Sus. by V430-000261	
8		V430-000261	1	CABLE, BOWDEN			
10		610011-55930	1	SHAFT, DRIVE	7SS*1540		
11		890157-39130	1	LABEL, SWITCH			
15		301200-29430	1	BAND ASSY			
16	+	900242-05014	1	SCREW 5*14	5*14		
17		178003-52130	1	BRACKET SET, THROTTLE			
18	+	900242-05035	1	SCREW 5*35	5*35		
19	+	900242-05025	1	SCREW 5*25	5*25		
24	+	900500-00005	2	NUT 5	5		
20		178012-52630	1	LOCKOUT, THROTTLE			
21		178010-52130	1	CONTROL, THROTTLE			
22		178043-42230	1	SPRING, THR. RETURN			
23		A440-000220	1	SWITCH, ON OFF			
25		178090-52630	1	LOCKOUT, T. CONTROL		Sus. by 178090-52632	
25		178090-52631	1	LOCKOUT, T. CONTROL		Sus. by 178090-52632	
25		178090-52632	1	LOCKOUT, T. CONTROL			
26		178013-52630	1	SPRING, THR. LOCK			

6. Handle

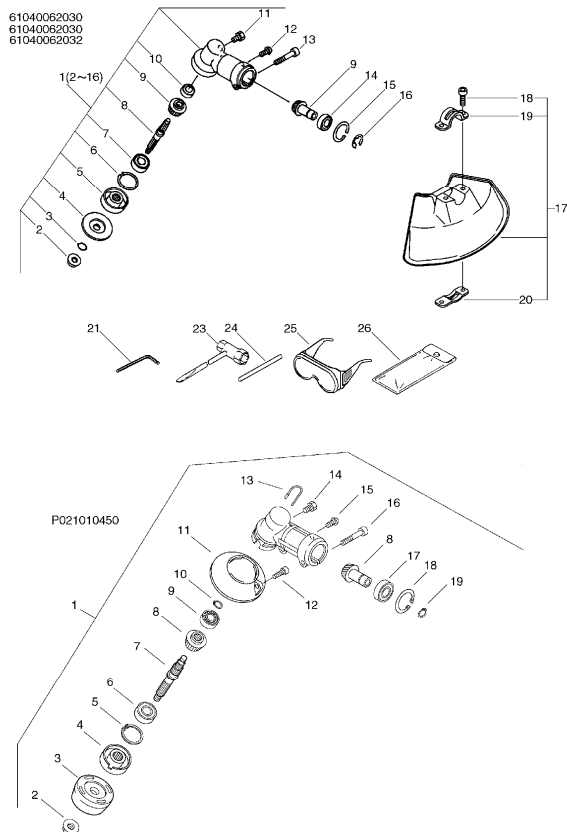
No.6



KEY	LV	PART NUMBER	Q'TY	DESCRIPTION	REMARKS	NOTE1	NOTE2
27		351213-52130	1	GRIP		Sus. by C403-000140	
27		C403-000140	1	GRIP, HANDLE	L129.5*28		
28		610272-52130	1	BAND			
24	+	900500-00005	1	NUT 5	5		
29	+	900242-05028	1	SCREW 5*28	5*28		
30		610206-55930	1	HOUSING ASSY, D.SHFT			

7. Gear Case, Shield, Tools

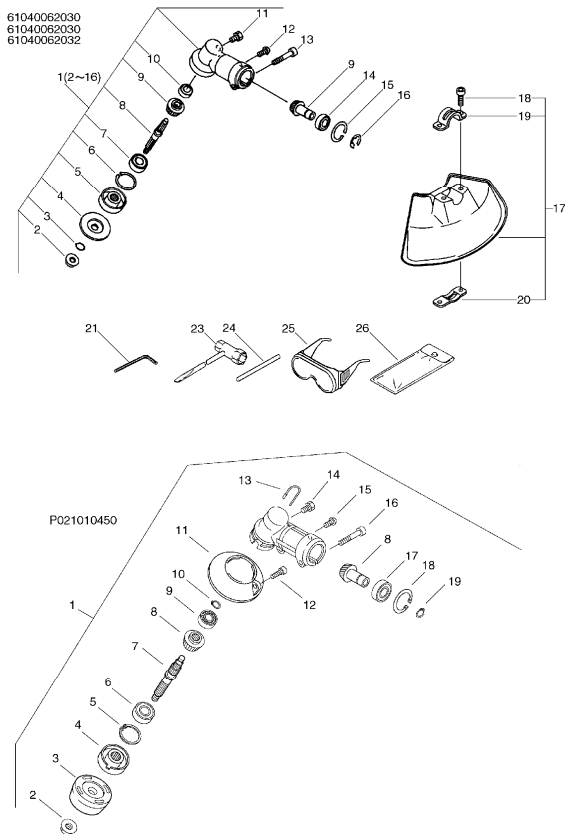
No.7



KEY	LV	PART NUMBER	Q'TY	DESCRIPTION	REMARKS	NOTE1	NOTE2
1		610400-62030	1	CASE ASY, GEAR		Sus. by P0210-10450	
1		610400-62031	1	CASE ASY, GEAR		Sus. by P0210-10450	
1		610400-62032	1	CASE ASY, GEAR		Sus. by P0210-10450	
1		610400-62033	1	CASE ASY, GEAR		Sus. by P0210-10450	
1		P021-007551	1	HOUSING ASY,GEAR		Sus. by P0210-10450	
2	+	610320-22330	1	NUT		Can be used on 610400-62030,-1,-2,3 only	
3	+	900720-00009	1	O-RING 9	P-9	Can be used on 610400-62030,-1,-2,3 only	
4	+	610314-22831	1	PLATE, ADAPTER		Can be used on 610400-62030,-1,-2,3 only	
5	+	610313-61830	1	ADAPTER, CUTTER		Sus. by 610313-61831	

7. Gear Case, Shield, Tools

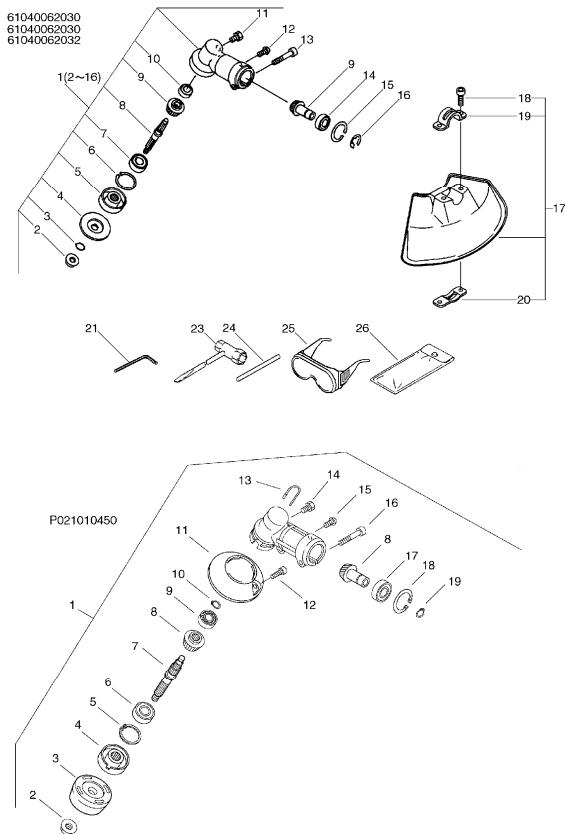
No.7



KEY	LV	PART NUMBER	Q'TY	DESCRIPTION	REMARKS	NOTE1	NOTE2
5	+	610313-61831	1	ADAPTER, CUTTER		Can be used on 610400-62030,-1,- 2,3 only	
6	+	900709-00022	1	C-RING	IRTW-22	Can be used on 610400-62030,-1,- 2,3 only	
7	+	900857-06900	1	BEARING, BALL	6900LLU	Can be used on 610400-62030,-1,- 2,3 only	
8	+	610310-61830	1	SHAFT, P.T.O.		Sus. by C534- 000160	
8	+	C534-000160	1	SHAFT,GEAR		Can be used on 610400-62030,-1,- 2,3 only	
9	+	610300-62030	1	GEAR SET		Can be used on 610400-62030,-1,- 2,3 only	
10	+	900810-00626	1	BEARING, BALL 626	626	Can be used on 610400-62030,-1,- 2,3 only	

7. Gear Case, Shield, Tools

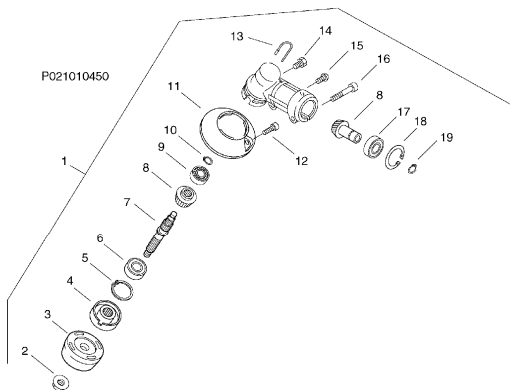
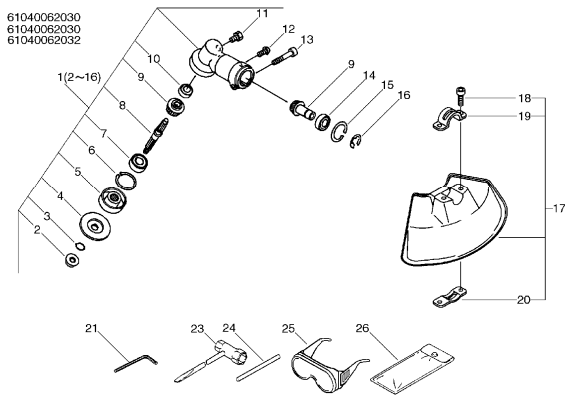
No.7



KEY	LV	PART NUMBER	Q'TY	DESCRIPTION	REMARKS	NOTE1	NOTE2
11	+	610434-50031	1	BOLT 8* 8	M8*8	Can be used on 610400-62030,-1,- 2,3 only	
12	+	900242-04010	1	SCREW 4*10	4*10	Can be used on 610400-62030,-1,- 2,3 only	
13	+	900162-05025	1	BOLT, H.S. 5*25	5*25 W,SW	Can be used on 610400-62030,-1,- 2,3 only	
14	+	900803-00609	1	BEARING, BALL 609	609Z	Can be used on 610400-62030,-1,- 2,3 only	
15	+	900702-00024	1	CIRCLIP 24	CR-24	Can be used on 610400-62030,-1,- 2,3 only	
16	+	900701-00009	1	CIRCLIP 9	CS-9	Can be used on 610400-62030,-1,- 2,3 only	
17		699000-62730	1	SHIELD ASY		Sus. by 699000- 62731	

7. Gear Case, Shield, Tools

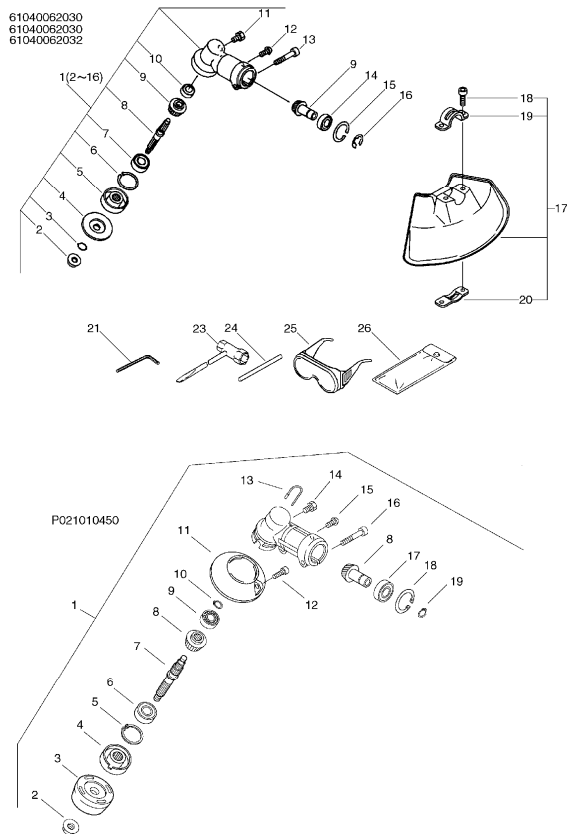
No.7



KEY	LV	PART NUMBER	Q'TY	DESCRIPTION	REMARKS	NOTE1	NOTE2
17		699000-62731	1	SHIELD ASY			
18	+	900162-05025	2	BOLT, H.S. 5*25	5*25 W,SW		
19	+	699011-28230	1	BRACKET, SHIELD			
20	+	699015-61830	1	BRACKET, SHIELD			
21		895610-00130	1	L-WRENCH (4MM)			
23		895410-02830	1	WRENCH, W/S. DRIVER			
24		897518-01131	1	LOCKING TOOL			
25		899580-68730	1	SAFETY GLASSES		Sus. by P021-002861	
25		P021-002861	1	GOGGLES			
26		898510-39130	1	BAG, TOOL			
30		P021-010450	1	CASE, GEAR ASY			
31	+	610320-22330	1	NUT		Can be used on P021010450 only	
32		P022-019470	1	FIXTURE, BLADE		Can be used on P021010450 only	
33	+	P022-002270	1	ADAPTER, CUTTER		Can be used on P021010450 only	
34	+	900702-00026	1	CIRCLIP 26	CR-26	Can be used on P021010450 only	

7. Gear Case, Shield, Tools

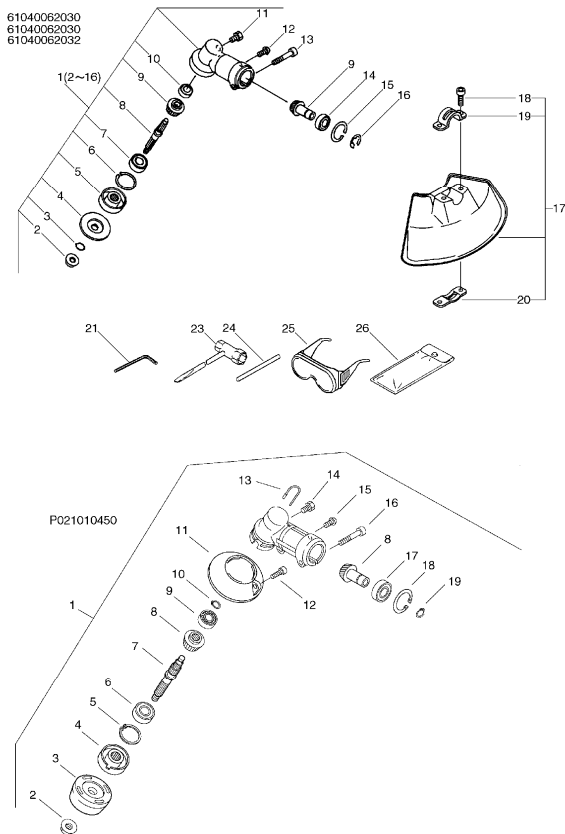
No.7



KEY	LV	PART NUMBER	Q'TY	DESCRIPTION	REMARKS	NOTE1	NOTE2
35	+	900802-06000	1	BEARING, BALL 6000	6000DDU(LLU)	Can be used on P021010450 only	
36	+	P022-009320	1	SHAFT,GEAR		Can be used on P021010450 only	
37	+	P022-002290	1	GEAR SET		Can be used on P021010450 only	
38	+	900810-00626	1	BEARING, BALL 626	626	Can be used on P021010450 only	
39	+	924010-6000	1	RING C		Can be used on P021010450 only	
40	+	P022-002281	1	COVER,GEAR CASE		Can be used on P021010450 only	
41	+	900242-05012	1	SCREW 5*12	5*12	Can be used on P021010450 only	
42	+	X606-000070	1	TOOL,BAR		Can be used on P021010450 only	

7. Gear Case, Shield, Tools

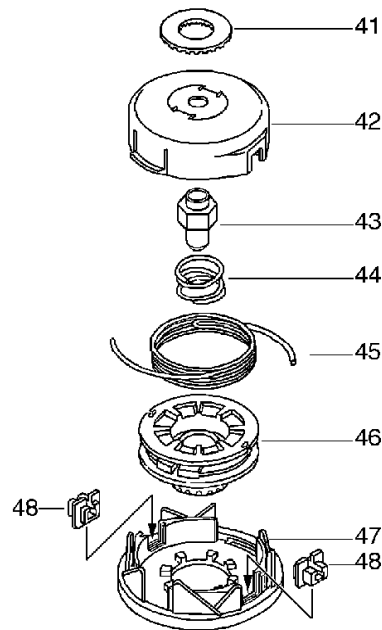
No.7



KEY	LV	PART NUMBER	Q'TY	DESCRIPTION	REMARKS	NOTE1	NOTE2
43	+	V205-000360	1	BOLT,8	M8*8	Can be used on P021010450 only	
44	+	900242-04010	1	SCREW 4*10	4*10	Can be used on P021010450 only	
45	+	900162-05025	1	BOLT, H.S. 5*25	5*25 W,SW	Can be used on P021010450 only	
46	+	900803-00609	1	BEARING, BALL 609	609Z	Can be used on P021010450 only	
47	+	900702-00025	1	CIRCLIP 25	CR-25	Can be used on P021010450 only	
48	+	900701-00009	1	CIRCLIP 9	CS-9	Can be used on P021010450 only	

8. Nylon Line Cutting Head

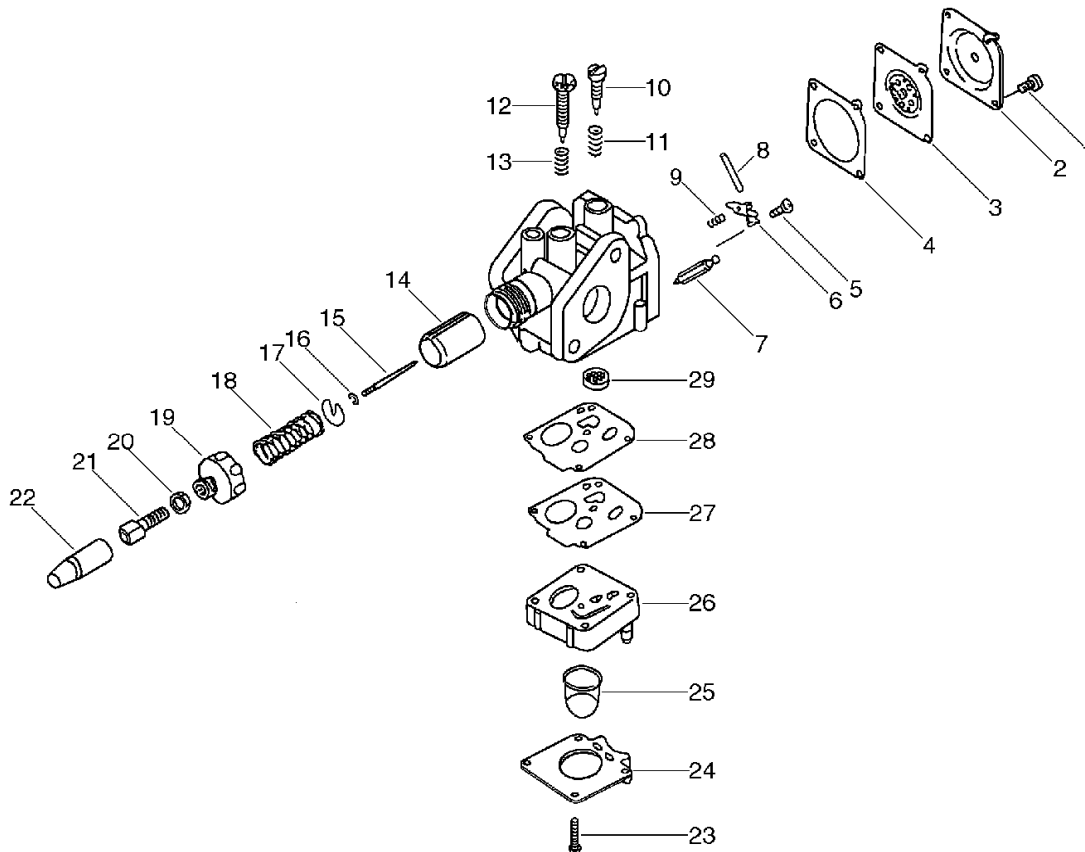
No.8



KEY	LV	PART NUMBER	Q'TY	DESCRIPTION	REMARKS	NOTE1	NOTE2
		X047-000161	1	CUTTER,ASM LINE	F4/8 M8L	Sus. by X047-000200	
		X047-000200	1	CUTTER,ASM LINE	F4/8		
41	+	V332-000000	1	WASHER,CIRCULAR 24			
42	+	P022-003310	1	HOUSING			
43	+	P022-001360	1	NUT	M8*1.25LH		
44	+	P022-001250	1	SPRING	DS-3/10		
45	+	P022-001230	1	NYLON CODE		Sus. by P022-006190	
45	+	P022-006190	1	NYLON CODE	3.0*2M		
46	+	P022-001370	1	BOBBIN	DS-3 M8LH		
47	+	P022-003330	1	COVER			
48	+	P022-000710	2	EYELET	T4		

9. Carburetor

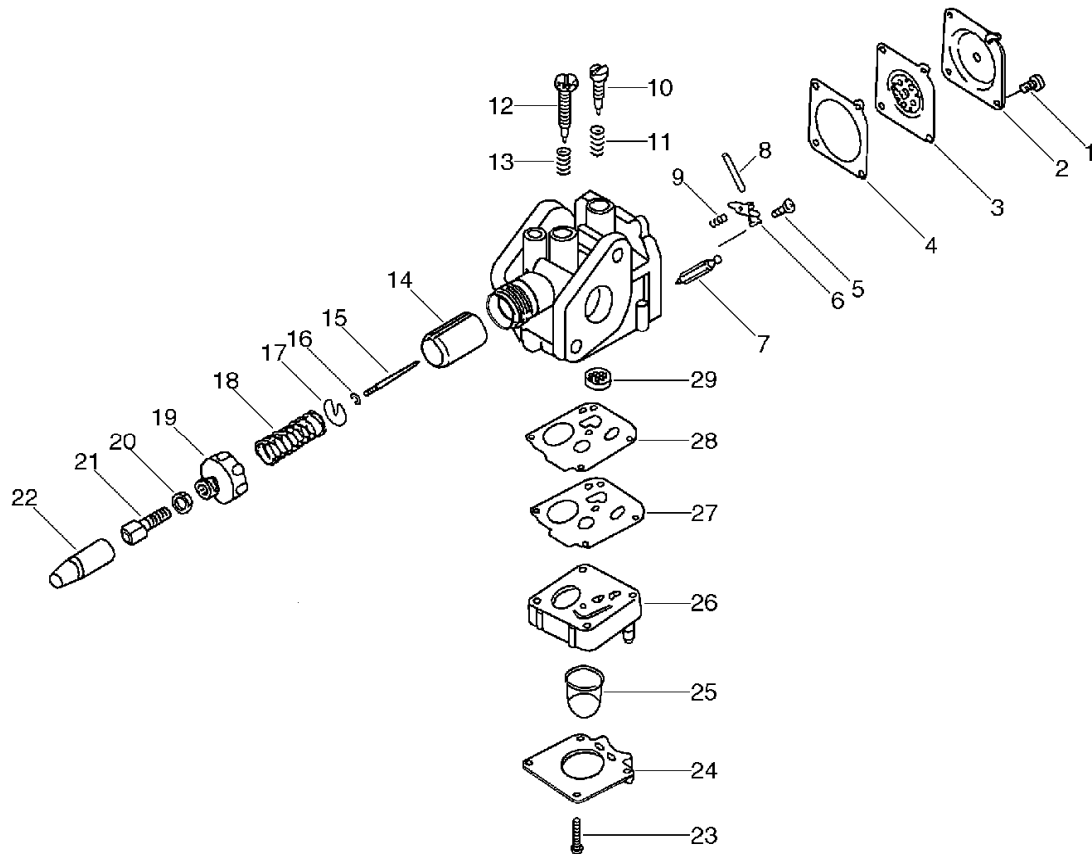
No.9



KEY	LV	PART NUMBER	Q'TY	DESCRIPTION	REMARKS	NOTE1	NOTE2
		125200-61830	1	CARBURETOR	AA-K56		
1	+	125344-52130	2	SCREW			
2	+	125342-62030	1	COVER			
3	+	125341-42030	1	DIAPHRAGM			
4	+	125340-42030	1	GASKET, DIAPHRAGM			
5	+	125339-13930	1	SCREW			
6	+	125323-08260	1	ARM, VALVE			
7	+	125337-08260	1	VALVE, INLET NEEDLE			
8	+	125338-13930	1	PIN, METERING ARM			
9	+	125322-12620	1	SPRING, COIL			
10	+	125310-62030	1	SCREW			
11	+	125386-61830	1	SPRING			
12	+	125334-62030	1	SPEED			
13	+	125319-13930	1	SPRING, COIL			
14	+	125391-62030	1	BODY ASSY, PISTON			
15	+	125320-62030	1	NEEDLE, JET			
16	+	125369-62030	1	RING			
17	+	125327-62030	1	CLIP, RETAINER			
18	+	125386-62030	1	SPRING			
19	+	125372-62030	1	TOP			
20	+	125392-62030	1	NUT			
21	+	125344-62030	1	SCREW			
22	+	125398-62030	1	BOOT,CONNECTOR			
23	+	125310-61830	4	SCREW			
24	+	125363-62030	1	RETAINER			
25	+	125381-08660	1	PUMP, PRIMING			

9. Carburetor

No.9



KEY	LV	PART NUMBER	Q'TY	DESCRIPTION	REMARKS	NOTE1	NOTE2
26	+	125383-62030	1	BODY, PRIMER			
27	+	125312-62030	1	DIAPHRAGM, PUMP			
28	+	125340-62030	1	GASKET, PUMP			
29	+	125326-42030	1	STRAINER			

10. Repair Kit

KEY	LV	PART NUMBER	Q'TY	DESCRIPTION	REMARKS	NOTE1	NOTE2
		P005-000680	1	DIAPHRAGM/GASKET KIT			
9-3	+	125341-42030	1	DIAPHRAGM			
9-4	+	125340-42030	1	GASKET, DIAPHRAGM			
9-27	+	125312-62030	1	DIAPHRAGM, PUMP			
9-28	+	125340-62030	1	GASKET, PUMP			
		P005-000670	1	REBUILD KIT			
9-3	+	125341-42030	1	DIAPHRAGM			
9-4	+	125340-42030	1	GASKET, DIAPHRAGM			
9-6	+	125323-08260	1	ARM, VALVE			
9-7	+	125337-08260	1	VALVE, INLET NEEDLE			
9-8	+	125338-13930	1	PIN, METERING ARM			
9-9	+	125322-12620	1	SPRING, COIL			
9-27	+	125312-62030	1	DIAPHRAGM, PUMP			
9-28	+	125340-62030	1	GASKET, PUMP			
9-29	+	125326-42030	1	STRAINER			

Index

Patrs Number	Key No.	Patrs Number	Key No.	Patrs Number	Key No.
100000-61830	1 - 8	125344-52130	9 - 1	175018-05535	2 - 6
100011-05330	1 - 9	125344-62030	9 - 21	175046-56030	2 - 9
100012-61830	1 - 12	125363-62030	9 - 24	175048-05530	2 - 5
100013-61830	1 - 10	125369-62030	9 - 16	175049-56030	2 - 8
100015-61830	1 - 11	125372-62030	9 - 19	177202-12220	3 - 20
100100-61831	1 - 14	125381-08660	9 - 25	177214-02830	3 - 44
100142-12330	2 - 2	125383-62030	9 - 26	177218-44330	3 - 23
100204-61832	1 - 20	125386-61830	9 - 11	177226-10120	3 - 36
100204-61833	1 - 20	125386-62030	9 - 18	177227-42030	3 - 28
100212-61830	1 - 21	125391-62030	9 - 14	177228-27030	3 - 27
100215-03930	1 - 26	125392-62030	9 - 20	177234-12220	3 - 22
100242-61830	1 - 25	125398-62030	9 - 22	178003-52130	6 - 17
100283-61831	4 - 12	130010-61830	4 - 13	178010-52130	6 - 21
101010-61830	1 - 7	130016-55930	4 - 9	178012-52630	6 - 20
101011-61830	1 - 5	130017-61830	4 - 10	178013-52630	6 - 26
101011-61831	1 - 5	130307-61830	4 - 4	178043-42230	6 - 22
101514-61831	1 - 3	130310-63030	4 - 3	178090-52630	6 - 25
125200-61830	4 - 6	130313-61830	4 - 1	178090-52631	6 - 25
125200-61830	9 -	131004-55530	5 - 13	178090-52632	6 - 25
125310-61830	9 - 23	131010-61830	5 - 11	301200-29430	6 - 15
125310-62030	9 - 10	131010-61831	5 - 11	351201-54130	6 - 2
125312-62030	10 - 9-27	131016-55830	5 - 14	351213-52130	6 - 27
125312-62030	10 - 9-27	131051-56030	5 - 15	610011-55930	6 - 10
125312-62030	9 - 27	131205-19830	5 - 9	610206-55930	6 - 30
125319-13930	9 - 13	131300-56430	5 - 2	610272-52130	6 - 28
125320-62030	9 - 15	131920-55430	5 - 12	610300-62030	7 - 9
125322-12620	10 - 9-9	131920-61830	5 - 10	610310-61830	7 - 8
125322-12620	9 - 9	132007-61831	5 - 1	610313-61830	7 - 5
125323-08260	10 - 9-6	132010-61831	5 - 5	610313-61831	7 - 5
125323-08260	9 - 6	132012-61830	5 - 3	610314-22831	7 - 4
125326-42030	10 - 9-29	132013-09820	5 - 8	610320-22330	7 - 2
125326-42030	9 - 29	132017-61830	5 - 7	610320-22330	7 - 31
125327-62030	9 - 17	132115-61830	5 - 6	610400-62030	7 - 1
125334-62030	9 - 12	145510-61830	4 - 14	610400-62031	7 - 1
125337-08260	10 - 9-7	145510-61831	4 - 14	610400-62032	7 - 1
125337-08260	9 - 7	145510-61832	4 - 14	610400-62033	7 - 1
125338-13930	10 - 9-8	145605-61830	4 - 15	610434-50031	7 - 11
125338-13930	9 - 8	145605-61830	4 - 15	610922-55931	2 - 15
125339-13930	9 - 5	145621-61830	4 - 18	632201-61830	5 - 4
125340-42030	10 - 9-4	145621-61831	4 - 18	660316-55630	2 - 13
125340-42030	10 - 9-4	150117-09130	2 - 27	699000-62730	7 - 17
125340-42030	9 - 4	150117-16430	1 - 2	699000-62731	7 - 17
125340-62030	10 - 9-28	156112-61831	2 - 23	699011-28230	7 - 19
125340-62030	10 - 9-28	159010-10230	2 - 26	699015-61830	7 - 20
125340-62030	9 - 28	159011-03432	2 - 25	890157-39130	6 - 11
125341-42030	10 - 9-3	159012-03433	2 - 24	895410-02830	7 - 23
125341-42030	10 - 9-3	162010-56430	2 - 20	895610-00130	7 - 21
125341-42030	9 - 3	175009-55930	2 - 7	897518-01131	7 - 24
125342-62030	9 - 2	175009-55931	2 - 7	898510-39130	7 - 26

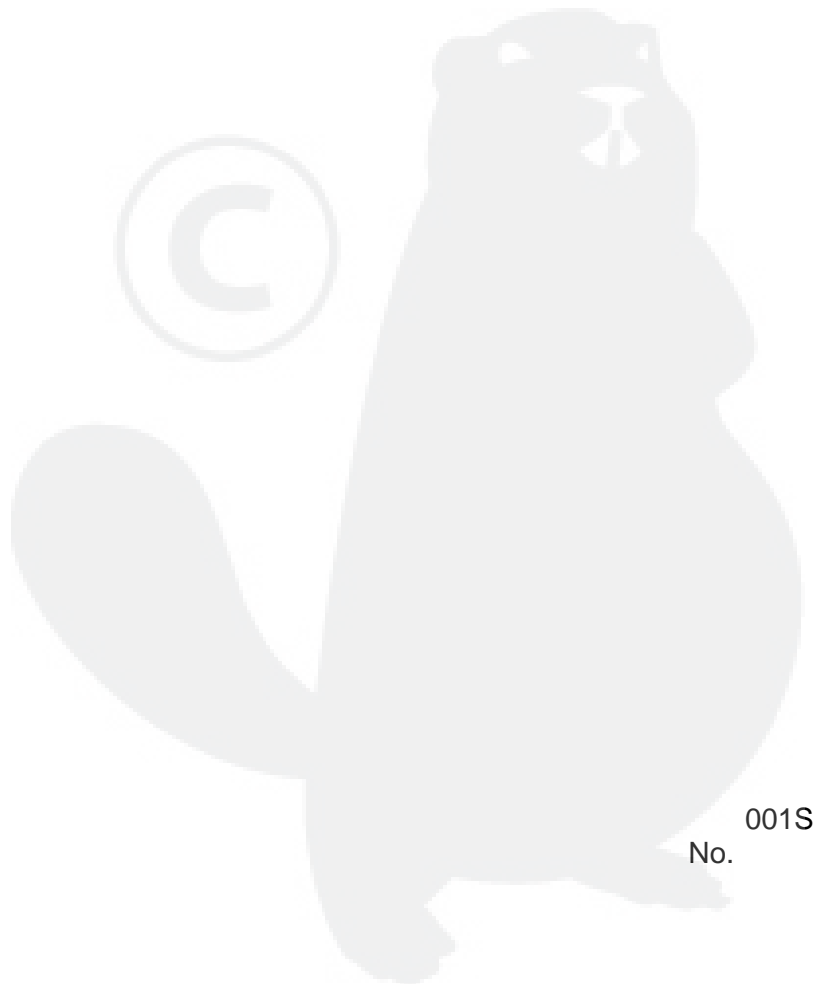
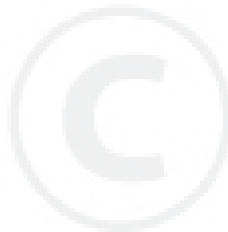
Index

Patrs Number	Key No.	Patrs Number	Key No.	Patrs Number	Key No.
899580-68730	7 - 25	91128-04022	2 - 21	V430-000261	6 - 8
900105-05012	3 - 45	924010-6000	7 - 39	V450-000130	3 - 38
900105-05050	4 - 17	A051-000043	3 - 26	V475-001280	6 - 7
900106-05020	4 - 11	A051-000044	3 - 26	V641-000040	3 - 33
900162-04022	2 - 21	A053-000000	3 - 39	X047-000161	8 -
900162-05020	1 - 6	A128-000010	4 - 12	X047-000200	8 -
900162-05020	1 - 27	A300-000360	4 - 15	X502-000031	3 - 50
900162-05025	1 - 27	A409-000011	2 - 3	X502-000032	3 - 50
900162-05025	7 - 13	A411-000001	2 - 22	X503-002380	2 - 19
900162-05025	7 - 18	A440-000220	6 - 23	X505-000140	6 - 1
900162-05025	7 - 45	A503-000010	3 - 29	X505-000620	3 - 51
900162-05028	2 - 16	A504-000000	3 - 31	X606-000070	7 - 42
900239-05012	4 - 2	A504-000001	3 - 31		
900239-05016	2 - 14	A506-000010	3 - 35		
900239-05016	3 - 48	A514-000010	3 - 37		
900239-05018	1 - 1	A520-000011	3 - 43		
900239-05022	3 - 49	A520-000012	3 - 43		
900242-04010	7 - 12	A556-000010	2 - 11		
900242-04010	7 - 44	C403-000140	6 - 27		
900242-05012	7 - 41	C534-000160	7 - 8		
900242-05014	6 - 16	P005-000670	10 -		
900242-05025	6 - 19	P005-000680	10 -		
900242-05028	6 - 29	P021-000341	2 - 10		
900242-05035	6 - 3	P021-002411	3 - 40		
900242-05035	6 - 18	P021-002412	3 - 40		
900242-05050	4 - 5	P021-002861	7 - 25		
900253-05020	3 - 25	P021-003330	2 - 1		
900500-00005	4 - 8	P021-003331	2 - 1		
900500-00005	6 - 4	P021-007551	7 - 1		
900500-00005	6 - 24	P021-010450	7 - 30		
900500-00005	6 - 24	P022-000710	8 - 48		
900515-00006	2 - 4	P022-001230	8 - 45		
900600-00005	4 - 16	P022-001250	8 - 44		
900701-00009	7 - 16	P022-001360	8 - 43		
900701-00009	7 - 48	P022-001370	8 - 46		
900701-00010	2 - 12	P022-002270	7 - 33		
900702-00024	7 - 15	P022-002281	7 - 40		
900702-00025	7 - 47	P022-002290	7 - 37		
900702-00026	7 - 34	P022-003310	8 - 42		
900709-00022	7 - 6	P022-003330	8 - 47		
900720-00004	4 - 19	P022-006190	8 - 45		
900720-00009	7 - 3	P022-009320	7 - 36		
900802-06000	7 - 35	P022-019470	7 - 32		
900803-00609	7 - 14	V205-000360	7 - 43		
900803-00609	7 - 46	V253-000060	3 - 45		
900810-00626	7 - 10	V332-000000	8 - 41		
900810-00626	7 - 38	V355-000080	3 - 32		
900810-36000	1 - 22	V376-000180	3 - 47		
900857-06900	7 - 7	V430-000260	6 - 8		

YAMABIKO CORPORATION

7-2 SUEHIROCHO 1-CHOME, OHME, TOKYO 198-8760, JAPAN
PHONE: 81-428-32-6118. FAX: 81-428-32-6145.

ECHO[®]



001S
No.