



# **PARTS CATALOG**

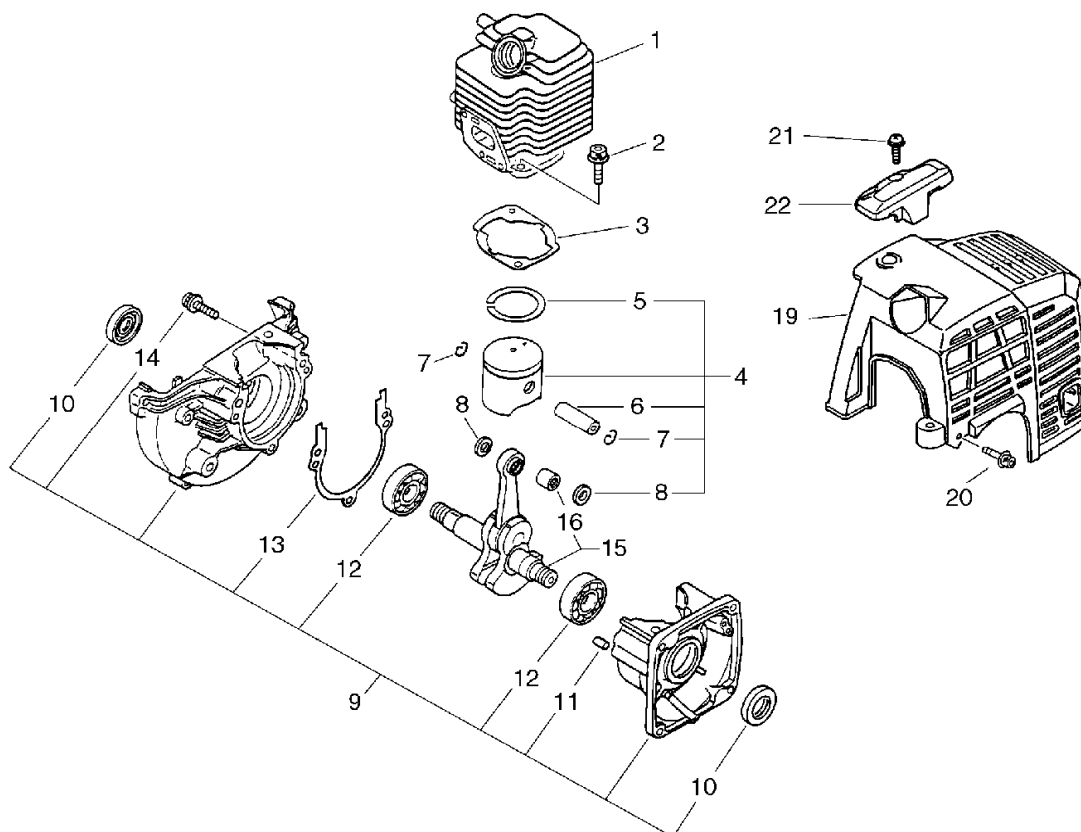
## **GRASS-TRIMMER / BRUSHCUTTER**

**SRM-22G**

SRM-22G

# 1. Cylinder, Crankcase, Piston

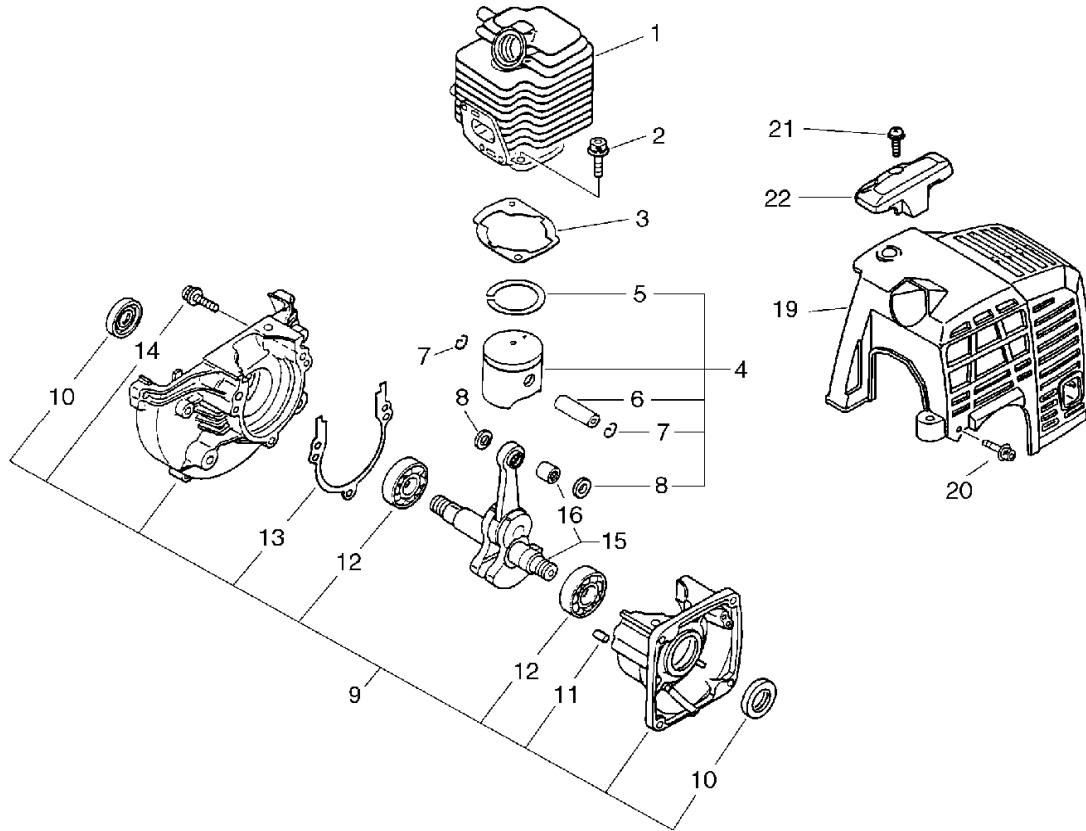
## No.1



KEY	LV	PART NUMBER	Q'TY	DESCRIPTION	REMARKS	NOTE1	NOTE2
1		A130-000011	1	CYLINDER			
2		900162-05022	2	BOLT, H.S. 5*22	5*22 W,SW		
3		101010-44332	1	GASKET, CYL. BASE			
4		P021-001101	1	PISTON KIT		Sus. by P021-001102	
4		P021-001102	1	PISTON KIT			
5	+	A101-000000	2	RING,PISTON			
6	+	100013-11520	1	PIN, PISTON			
7	+	100015-04630	2	CIRCLIP, PISTON PIN			
8	+	100014-11520	2	SPACER, PISTON PIN		Sus. by V306-000150	
8	+	V306-000150	2	WASHER,CIRCULAR 8	8.2*13*0.8		
9		100204-52132	1	CRANKCASE KIT			
10	+	100212-42031	2	OILSEAL	ISCD 12*22*4.5		
11	+	100215-03930	2	PIN, DOWEL			
12	+	94035-36201	2	BEARING BALL	6201X3JR2C3		
13	+	100242-42030	1	GASKET, CRANKCASE			
14	+	900162-05028	3	BOLT, H.S. 5*28	5*28 W,SW		
15		A011-000001	1	CRANKSHAFT,ASM		Sus. by A011-000002	
15		A011-000002	1	CRANKSHAFT,ASM			
16	+	V553-000010	1	BEARING,NEEDLE 8	HK0810		
19		A160-000630	1	COVER,CYLINDER			
20		900238-04016	2	SCREW 4*16	4*16		
21		900253-05020	1	SCREW 5*20	5*20		

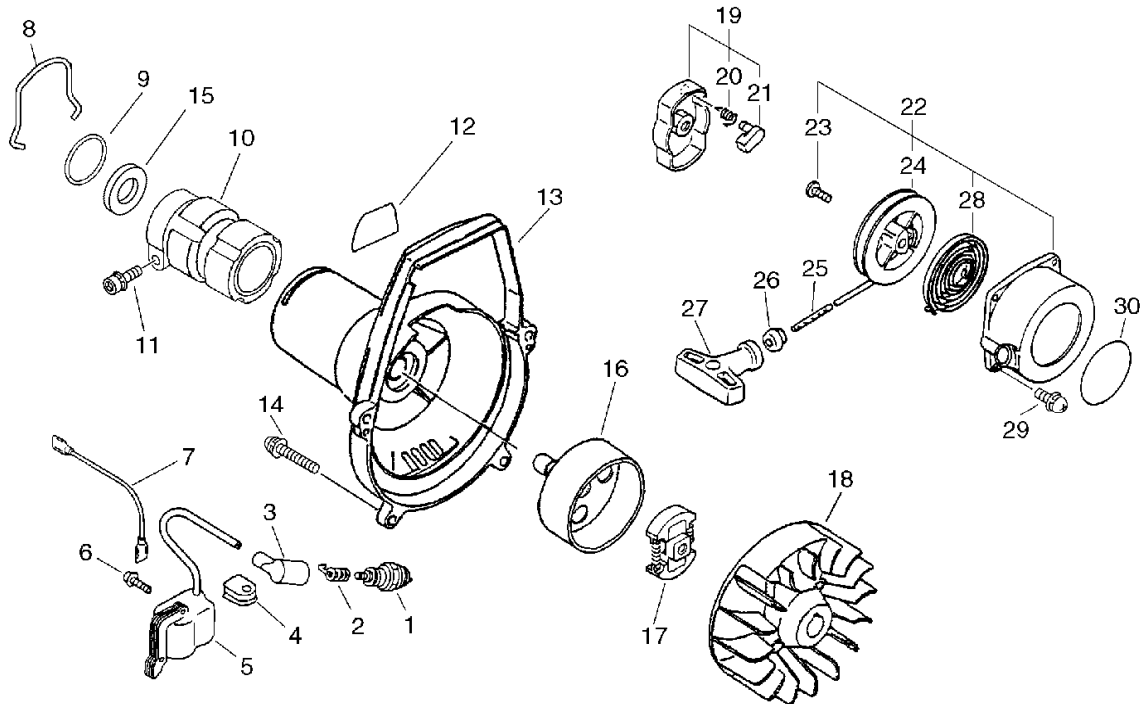
# 1. Cylinder, Crankcase, Piston

No.1



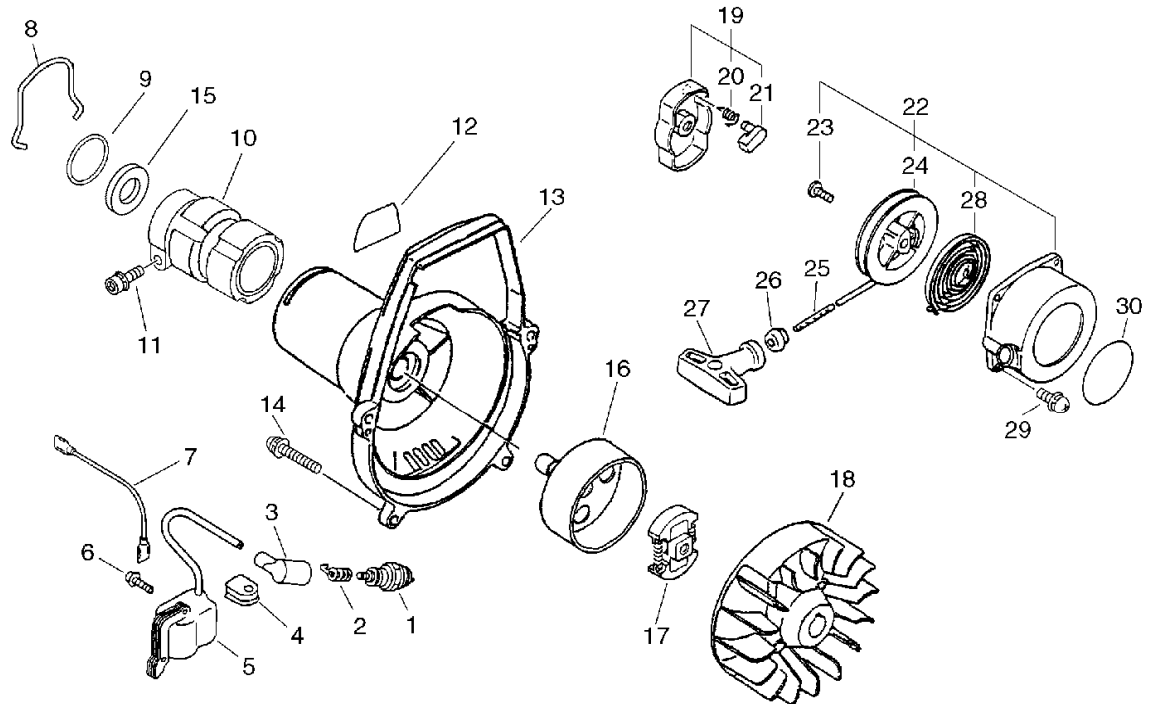
KEY	LV	PART NUMBER	Q'TY	DESCRIPTION	REMARKS	NOTE1	NOTE2
22		A162-000060	1	GUARD, TOP			

## 2. Starter, Magneto, Clutch



KEY	LV	PART NUMBER	Q'TY	DESCRIPTION	REMARKS	NOTE1	NOTE2
1		159010-10230	1	PLUG, SPARK (BPMR-7A)	BPMR-7A		
2		159011-03432	1	COIL, SPARK PLUG			
3		159012-03433	1	CAP, SPARK PLUG			
4		156112-40630	1	GROMMET			
5		156601-52130	1	COIL, IGNITION			
6		900162-04022	2	BOLT, H.S. 4*22	4*22 W,SW		
7		162010-52830	1	LEAD, GROUND			
8		660316-55630	1	CLIP			
9		V315-000030	1	WASHER,CIRCULAR 30	33.5*41.0*T0.5		
10		610922-55931	1	HOLDER, MAIN PIPE			
11		900162-05028	1	BOLT, H.S. 5*28	5*28 W,SW		
12		X547-000080	1	LABEL,ECHO	SRM-22G		
13		A172-000340	1	COVER,FAN			
14		91363-04016	3	SCREW	SMB-4*16/W,SW		
15		175313-20430	1	RING, FELT			
16		175005-44331	1	DRUM, CLUTCH			
17		175000-56830	1	CLUTCH ASSY			
18		A409-000000	1	ROTOR,MAGNETO			
19		177202-12220	1	PAWL ASSY, STARTER			
20	+	177234-12220	2	SPRING, PAWL			
21	+	177218-44330	2	PAWL, STARTER	BLACK		
22		177200-42033	1	STARTER ASSY		Sus. by A051-000960	
22		A051-000960	1	STARTER,RECOIL ASY			

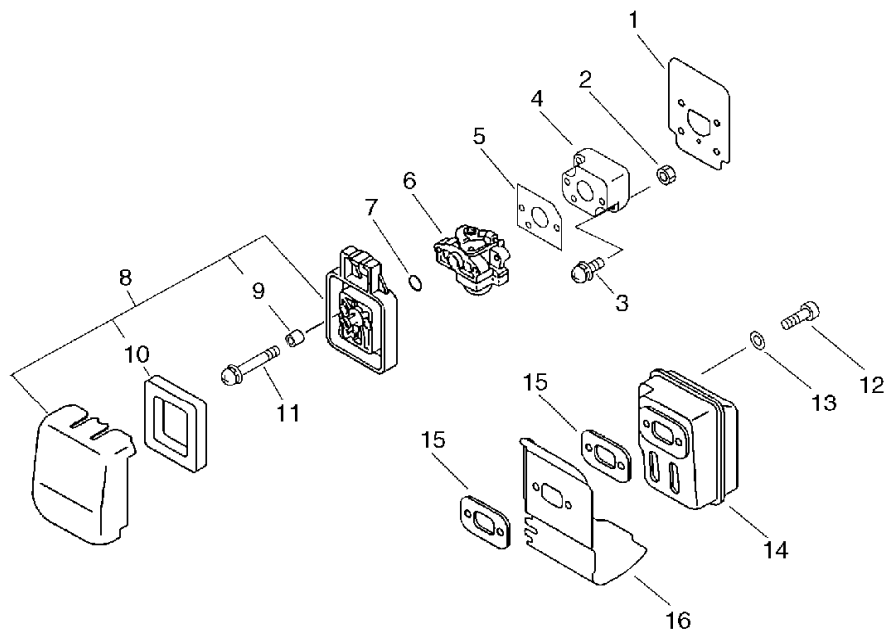
## 2. Starter, Magneto, Clutch



KEY	LV	PART NUMBER	Q'TY	DESCRIPTION	REMARKS	NOTE1	NOTE2
23	+	177236-44330	1	SCREW			
24	+	177215-44430	1	DRUM, STARTER			
25	+	177226-44330	1	ROPE, STARTER	3*1,000		
26	+	177227-42030	1	GUIDE, ROPE			
27	+	177228-06530	1	GRIP, STARTER			
28	+	177220-42030	1	SPRING, REWIND			
29		900238-04016	2	SCREW 4*16	4*16		
30		890118-49130	1	LABEL, ECHO			

### 3. Air Cleaner, Muffler

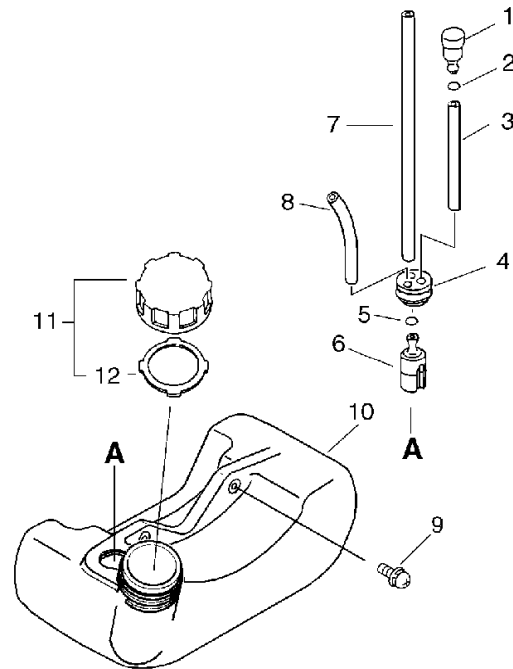
No.3



KEY	LV	PART NUMBER	Q'TY	DESCRIPTION	REMARKS	NOTE1	NOTE2
1		V103-000240	1	GASKET,INTAKE			
2		900500-00005	2	NUT 5	5		
3		900238-05020	2	SCREW 5*20	5*20		
4		130017-44330	1	INSULATOR			
5		V103-000250	1	GASKET,INTAKE			
6		A021-000550	1	CARBURETOR,DIAPHRAGM	WYL-170		
7		900720-00015	1	O-RING 15	P-15		
8		A027-000010	1	CLEANER,ASM AIR			
9	+	130327-44330	2	SLEEVE			
10	+	130310-44330	1	FILTER, AIR			
11		900242-05064	2	SCREW 5*64	5*64		
12		900105-05055	2	BOLT, H.S. 5*55	5*55		
13		900600-00005	2	WASHER 5	5		
14		A300-000350	1	MUFFLER,EXHAUST			
15		V104-000160	2	GASKET,EXHAUST			
16		A320-000251	1	COVER,MUFFLER			

## 4. Fuel Tank

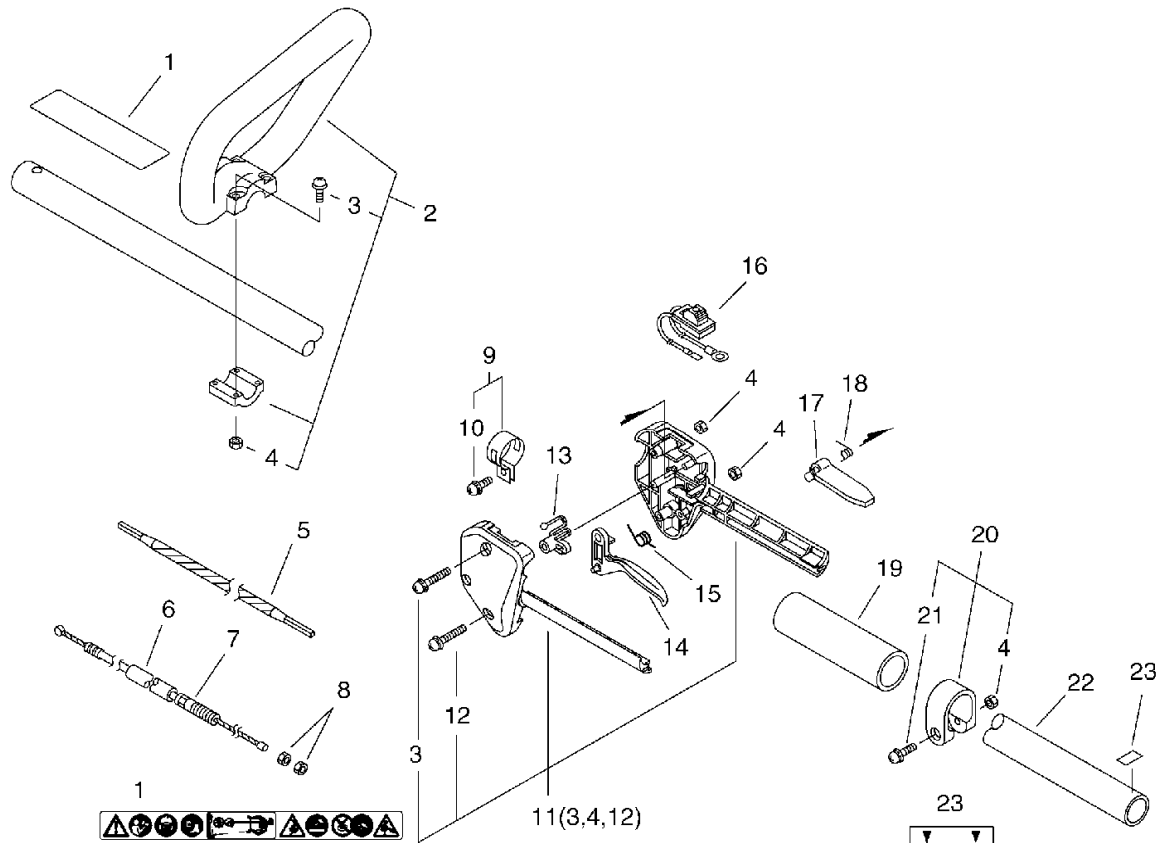
No.4



KEY	LV	PART NUMBER	Q'TY	DESCRIPTION	REMARKS	NOTE1	NOTE2
1		131300-56430	1	VALVE, CHECK			
2		130111-00530	1	CLIP	5.5		
3		V471-001200	1	PIPE	3*5*70 NBR		
4		132115-46730	1	GROMMET, FUEL			
5		132013-09820	1	CLIP	6MM		
6		131205-07320	1	STRAINER, FUEL			
7		V471-001190	1	PIPE	3*5*180 NBR		
8		132717-50430	1	PIPE 3* 6* 70	3*6*70 YL		
9		900243-05016	2	SCREW 5*16	5*16		
10		A350-000031	1	TANK,FUEL			
11		131004-55830	1	CAP ASSY, FUEL TANK			
12	+	131016-55830	1	GASKET, FUEL CAP			

## 5. Handle

No.5

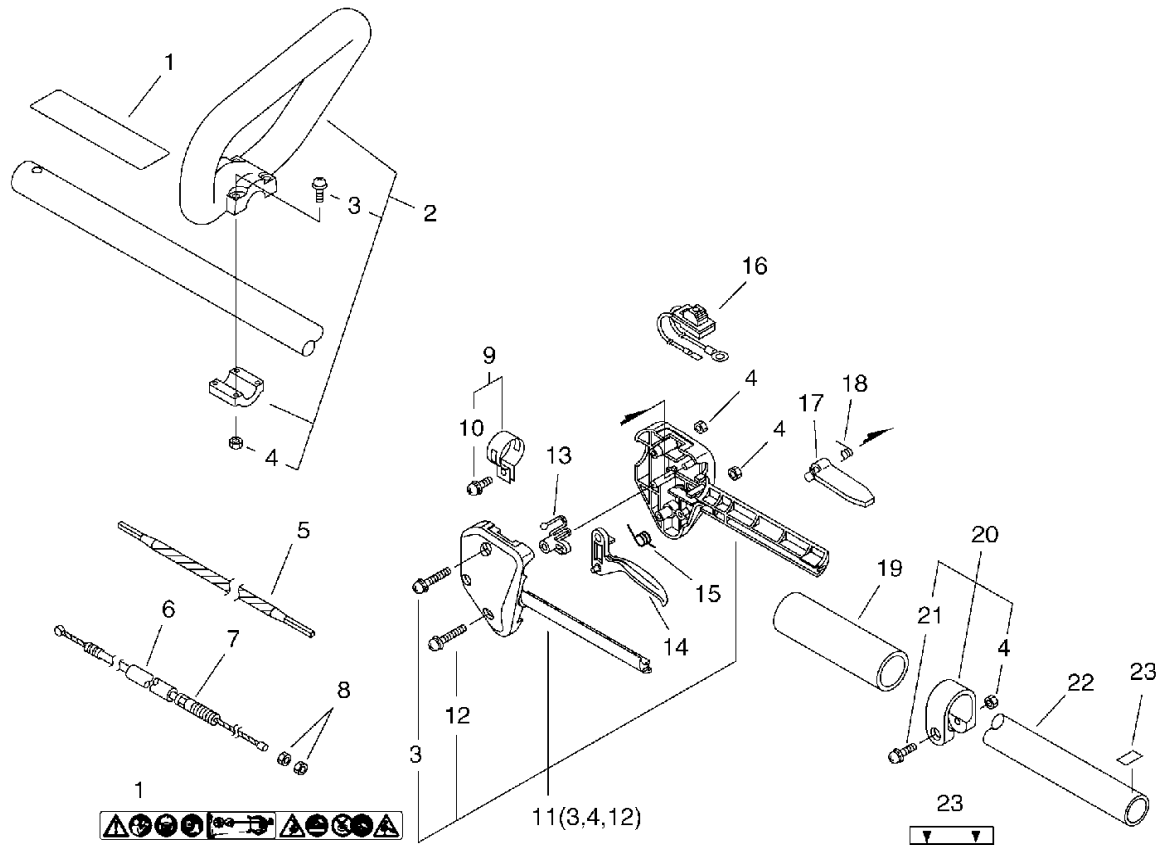


KEY	LV	PART NUMBER	Q'TY	DESCRIPTION	REMARKS	NOTE1	NOTE2
1		890617-43130	1	LABEL, CAUTION			
2		351201-40830	1	HANDLE ASSY, LOOP			
3	+	900242-05035	4	SCREW 5*35	5*35		
4	+	900500-00005	4	NUT 5	5		
5		610013-44730	1	SHAFT, FLEXIBLE			
6		178127-24430	1	TUBE	10*11*180L		
7		V430-001520	1	CABLE, BOWDEN			
8		900502-00006	2	NUT 6 (3N)	3N6		
9		301200-29430	1	BAND ASSY			
10	+	900242-05014	1	SCREW 5*14	5*14		
11		178003-52130	1	BRACKET SET, THROTTLE			
3	+	900242-05035	1	SCREW 5*35	5*35		
4	+	900500-00005	2	NUT 5	5		
12	+	900242-05025	1	SCREW 5*25	5*25		
13		178012-52630	1	LOCKOUT, THROTTLE			
14		178010-52130	1	CONTROL, THROTTLE			
15		178043-42230	1	SPRING, THR. RETURN			
16		A440-000651	1	SWITCH, ON OFF			
17		178090-52632	1	LOCKOUT, T. CONTROL			
18		178013-52630	1	SPRING, THR. LOCK			
19		351213-52130	1	GRIP		Sus. by C403-000140	
19		C403-000140	1	GRIP, HANDLE	L129.5*28		
20		610272-52130	1	BAND			
4	+	900500-00005	1	NUT 5	5		
21	+	900242-05028	1	SCREW 5*28	5*28		



# 5. Handle

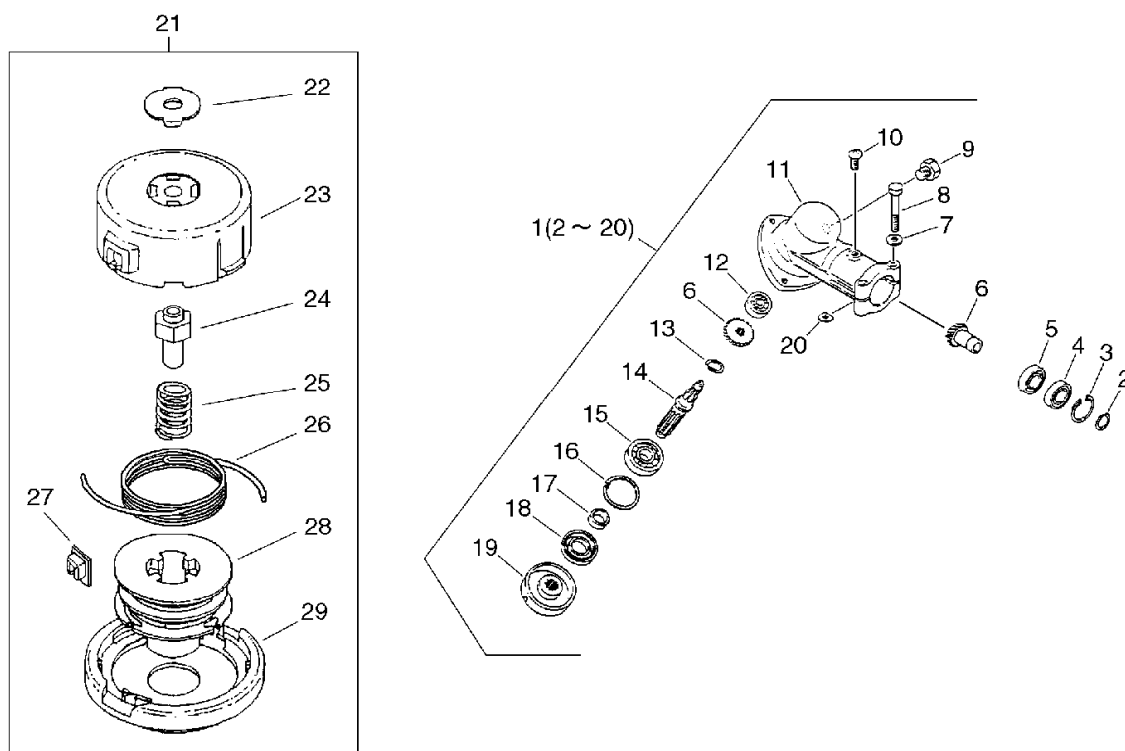
No.5



KEY	LV	PART NUMBER	Q'TY	DESCRIPTION	REMARKS	NOTE1	NOTE2
22		610206-44730	1	HOUSING ASSY, D.SHFT			
23		890152-04930	1	LABEL, CAUTION			

## 6. Gear Case, Nylon Line Cutting Head

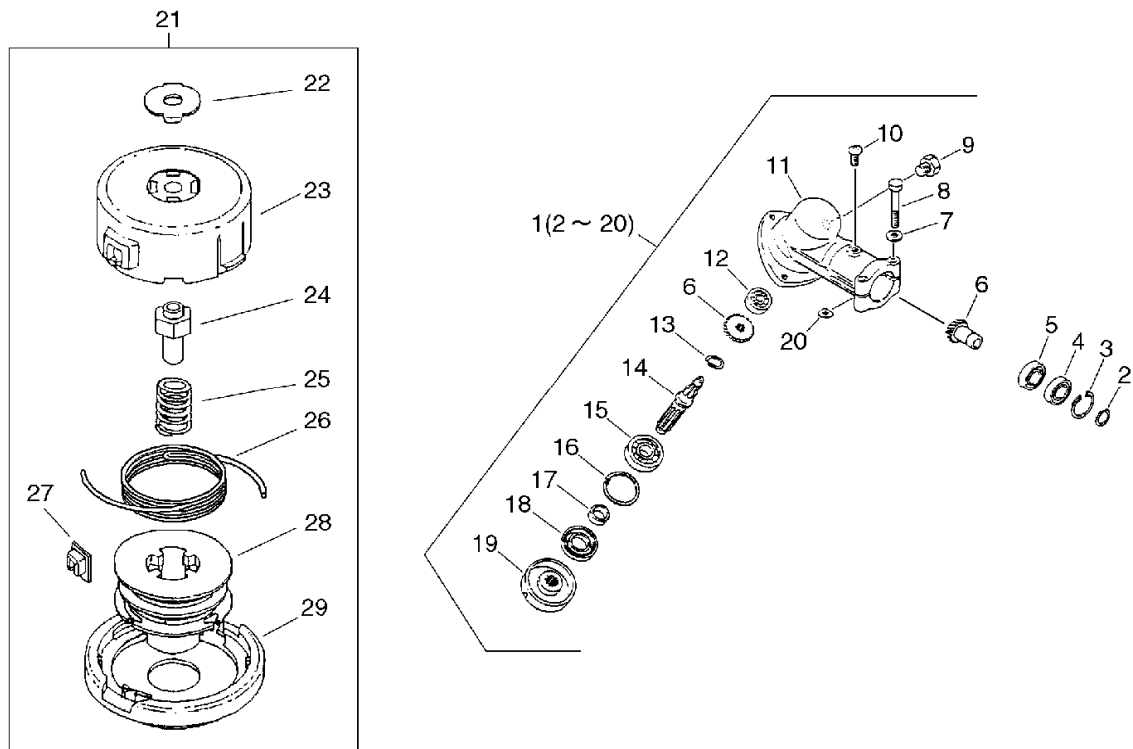
No.6



KEY	LV	PART NUMBER	Q'TY	DESCRIPTION	REMARKS	NOTE1	NOTE2
1		P021-009540	1	CASE ASY, GEAR			
2	+	900706-00012	1	CIRCLIP 12	WR-12		
3	+	900702-00022	1	CIRCLIP 22	CR-22		
4	+	900858-06900	1	BEARING, BALL 6900Z	6900Z		
5	+	900855-06900	1	BEARING, BALL 6900	6900		
6	+	610300-44830	1	GEAR SET			
7	+	900600-00005	2	WASHER 5	5		
8	+	900100-05035	2	BOLT 5*35	5*35		
9	+	610434-50031	1	BOLT 8*8	M8*8		
10	+	900242-05010	1	SCREW 5*10	5*10		
11	+	610460-27431	1	HOUSING, GEAR			
12	+	900800-00609	1	BEARING, BALL 609	609		
13	+	900706-00010	1	CIRCLIP 10	WR-10		
14	+	610360-08931	1	SHAFT, P.T.O.			
15	+	900810-06201	1	BEARING, BALL 6201	6201		
16	+	900702-00032	1	CIRCLIP 32	CR-32		
17	+	610315-07130	1	SPACER			
18	+	610413-07130	1	OILSEAL			
19	+	610313-07131	1	PLATE, ADAPTER (U)	PD 25.4	Sus. by 610313-07132	
19	+	610313-07132	1	PLATE, ADAPTER (U)			
20	+	610239-04130	2	WASHER, SHIM			
21		X047-000370	1	CUTTER,ASM LINE	B4-L		
22	+	P022-000670	1	TOP PLATE	T4		
23	+	P022-010710	1	HOUSING			
24	+	P022-000680	1	NUT	M10*1.25 T4		

## 6. Gear Case, Nylon Line Cutting Head

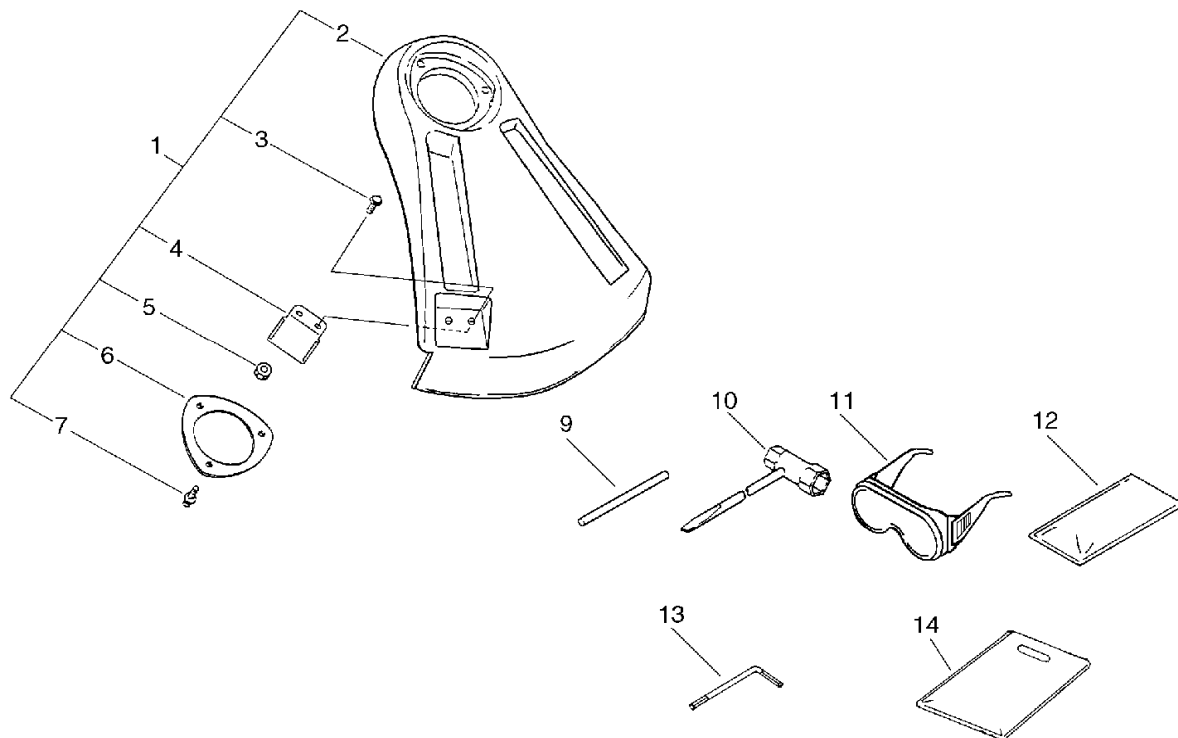
No.6



KEY	LV	PART NUMBER	Q'TY	DESCRIPTION	REMARKS	NOTE1	NOTE2
25	+	P022-000720	1	SPRING	T4		
26	+	P022-006190	1	NYLON CODE	3.0*2M		
27	+	P022-000710	2	EYELET	T4		
28	+	P022-000700	1	BOBBIN	T4		
29	+	P022-010720	1	COVER			

## 7. Shield, Tools

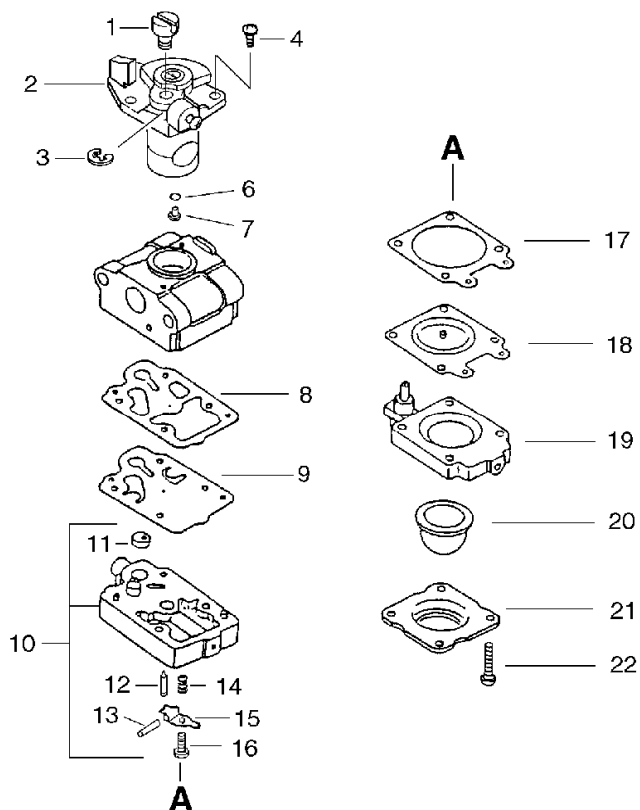
No.7



KEY	LV	PART NUMBER	Q'TY	DESCRIPTION	REMARKS	NOTE1	NOTE2
1		P021-009530	1	SHIELD KIT		Sus. by P021-009531	
1		P021-009531	1	SHIELD KIT			
2	+	C550-000031	1	SHIELD, BLADE			
3	+	900238-05012	2	SCREW 5*12	5*12		
4	+	C554-000020	1	KNIFE, CORD		Sus. by C554-000021	
4	+	C554-000021	1	KNIFE, CORD			
5	+	900500-00005	2	NUT 5	5		
6	+	C552-000110	1	PLATE, SHIELD			
7	+	900238-05016	3	SCREW 5*16	5*16		
9		897518-01131	1	LOCKING TOOL			
10		895410-02830	1	WRENCH, W/S. DRIVER			
11		X690-000030	1	GOGGLE			
12		898510-07130	1	BAG, TOOL			
13		895610-00130	1	L-WRENCH (4MM)			
14		X698-000040	1	TOOL, CASE	400*500		

## 8. Carburetor

No.8



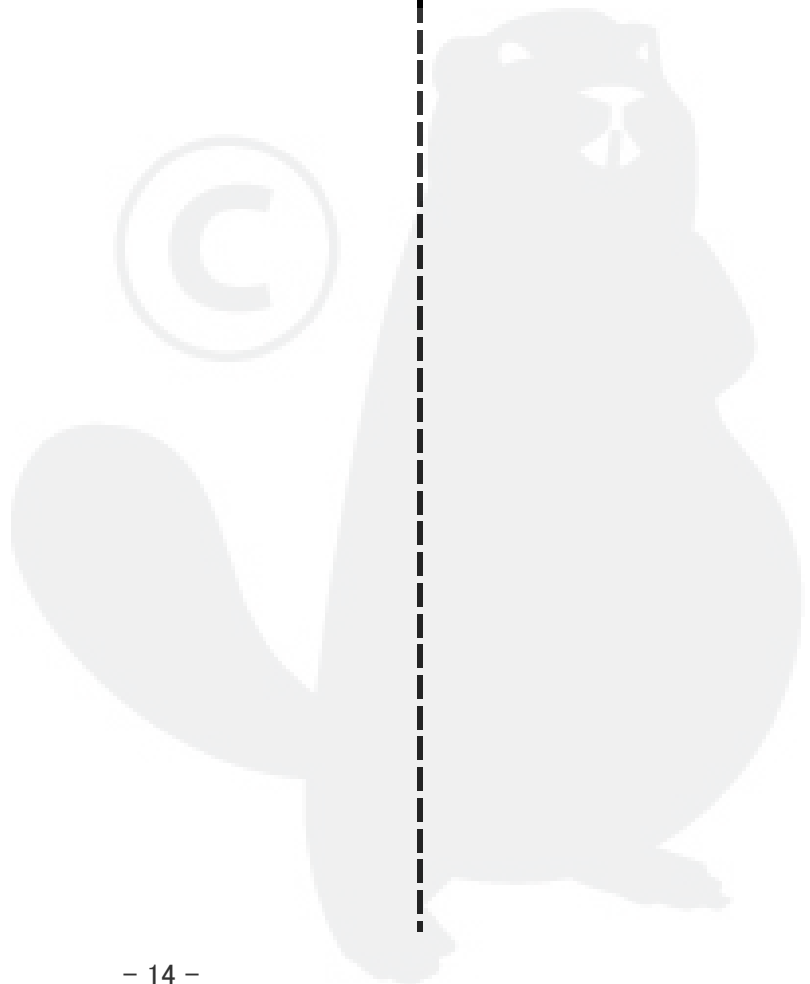
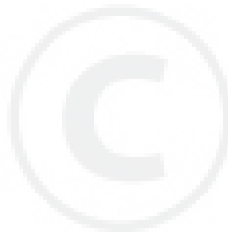
KEY	LV	PART NUMBER	Q'TY	DESCRIPTION	REMARKS	NOTE1	NOTE2
		A021-000550	1	CARBURETOR,DIAPHRAGM	WYL-170		
1	+	123172-45130	1	SWIVEL			
2	+	P003-000840	1	VALVE ASY THROTTLE			
3	+	123173-07930	1	CLIP			
4	+	123114-44330	2	SCREW			
6	+	123183-40630	1	O-RING			
7	+	123184-44330	1	JET #37	#37		
8	+	123125-40630	1	GASKET, PUMP			
9	+	123112-40630	1	DIAPHRAGM, PUMP			
10	+	123179-05560	1	BODY ASSY, PUMP			
11	++	123126-10631	1	SCREEN, INLET			
12	++	123137-19830	1	VALVE, INLET NEEDLE			
13	++	123138-03930	1	PIN, METERING LEVER			
14	++	123122-05560	1	SPRING, METER. LEVER			
15	++	123123-03930	1	LEVER, METERING			
16	++	123139-05560	1	SCREW, M. LEVER PIN			
17	+	123140-05560	1	GASKET, M. DIAPHRAGM			
18	+	P003-000090	1	METERING, DIAPHRAGM			
19	+	123180-05560	1	BODY, AIR PURGE			
20	+	123181-40630	1	PUMP, PRIMER			
21	+	123142-05560	1	COVER, PRIMER PUMP			
22	+	123110-05560	4	SCREW, PUMP COVER			

**Index**

<b>Patrs Number</b>	<b>Key No.</b>	<b>Patrs Number</b>	<b>Key No.</b>	<b>Patrs Number</b>	<b>Key No.</b>
100013-11520	1 - 6	177215-44430	2 - 24	900238-05020	3 - 3
100014-11520	1 - 8	177218-44330	2 - 21	900242-05010	6 - 10
100015-04630	1 - 7	177220-42030	2 - 28	900242-05014	5 - 10
100204-52132	1 - 9	177226-44330	2 - 25	900242-05025	5 - 12
100212-42031	1 - 10	177227-42030	2 - 26	900242-05028	5 - 21
100215-03930	1 - 11	177228-06530	2 - 27	900242-05035	5 - 3
100242-42030	1 - 13	177234-12220	2 - 20	900242-05035	5 - 3
101010-44332	1 - 3	177236-44330	2 - 23	900242-05064	3 - 11
123110-05560	8 - 22	178003-52130	5 - 11	900243-05016	4 - 9
123112-40630	8 - 9	178010-52130	5 - 14	900253-05020	1 - 21
123114-44330	8 - 4	178012-52630	5 - 13	900500-00005	3 - 2
123122-05560	8 - 14	178013-52630	5 - 18	900500-00005	5 - 4
123123-03930	8 - 15	178043-42230	5 - 15	900500-00005	5 - 4
123125-40630	8 - 8	178090-52632	5 - 17	900500-00005	5 - 4
123126-10631	8 - 11	178127-24430	5 - 6	900500-00005	7 - 5
123137-19830	8 - 12	301200-29430	5 - 9	900502-00006	5 - 8
123138-03930	8 - 13	351201-40830	5 - 2	900600-00005	3 - 13
123139-05560	8 - 16	351213-52130	5 - 19	900600-00005	6 - 7
123140-05560	8 - 17	610013-44730	5 - 5	900702-00022	6 - 3
123142-05560	8 - 21	610206-44730	5 - 22	900702-00032	6 - 16
123172-45130	8 - 1	610239-04130	6 - 20	900706-00010	6 - 13
123173-07930	8 - 3	610272-52130	5 - 20	900706-00012	6 - 2
123179-05560	8 - 10	610300-44830	6 - 6	900720-00015	3 - 7
123180-05560	8 - 19	610313-07131	6 - 19	900800-00609	6 - 12
123181-40630	8 - 20	610313-07132	6 - 19	900810-06201	6 - 15
123183-40630	8 - 6	610315-07130	6 - 17	900855-06900	6 - 5
123184-44330	8 - 7	610360-08931	6 - 14	900858-06900	6 - 4
130017-44330	3 - 4	610413-07130	6 - 18	91363-04016	2 - 14
130111-00530	4 - 2	610434-50031	6 - 9	94035-36201	1 - 12
130310-44330	3 - 10	610460-27431	6 - 11	A011-000001	1 - 15
130327-44330	3 - 9	610922-55931	2 - 10	A011-000002	1 - 15
131004-55830	4 - 11	660316-55630	2 - 8	A021-000550	3 - 6
131016-55830	4 - 12	890118-49130	2 - 30	A021-000550	8 -
131205-07320	4 - 6	890152-04930	5 - 23	A027-000010	3 - 8
131300-56430	4 - 1	890617-43130	5 - 1	A051-000960	2 - 22
132013-09820	4 - 5	895410-02830	7 - 10	A101-000000	1 - 5
132115-46730	4 - 4	895610-00130	7 - 13	A130-000011	1 - 1
132717-50430	4 - 8	897518-01131	7 - 9	A160-000630	1 - 19
156112-40630	2 - 4	898510-07130	7 - 12	A162-000060	1 - 22
156601-52130	2 - 5	900100-05035	6 - 8	A172-000340	2 - 13
159010-10230	2 - 1	900105-05055	3 - 12	A300-000350	3 - 14
159011-03432	2 - 2	900162-04022	2 - 6	A320-000251	3 - 16
159012-03433	2 - 3	900162-05022	1 - 2	A350-000031	4 - 10
162010-52830	2 - 7	900162-05028	1 - 14	A409-000000	2 - 18
175000-56830	2 - 17	900162-05028	2 - 11	A440-000651	5 - 16
175005-44331	2 - 16	900238-04016	1 - 20	C403-000140	5 - 19
175313-20430	2 - 15	900238-04016	2 - 29	C550-000031	7 - 2
177200-42033	2 - 22	900238-05012	7 - 3	C552-000110	7 - 6
177202-12220	2 - 19	900238-05016	7 - 7	C554-000020	7 - 4

## Index

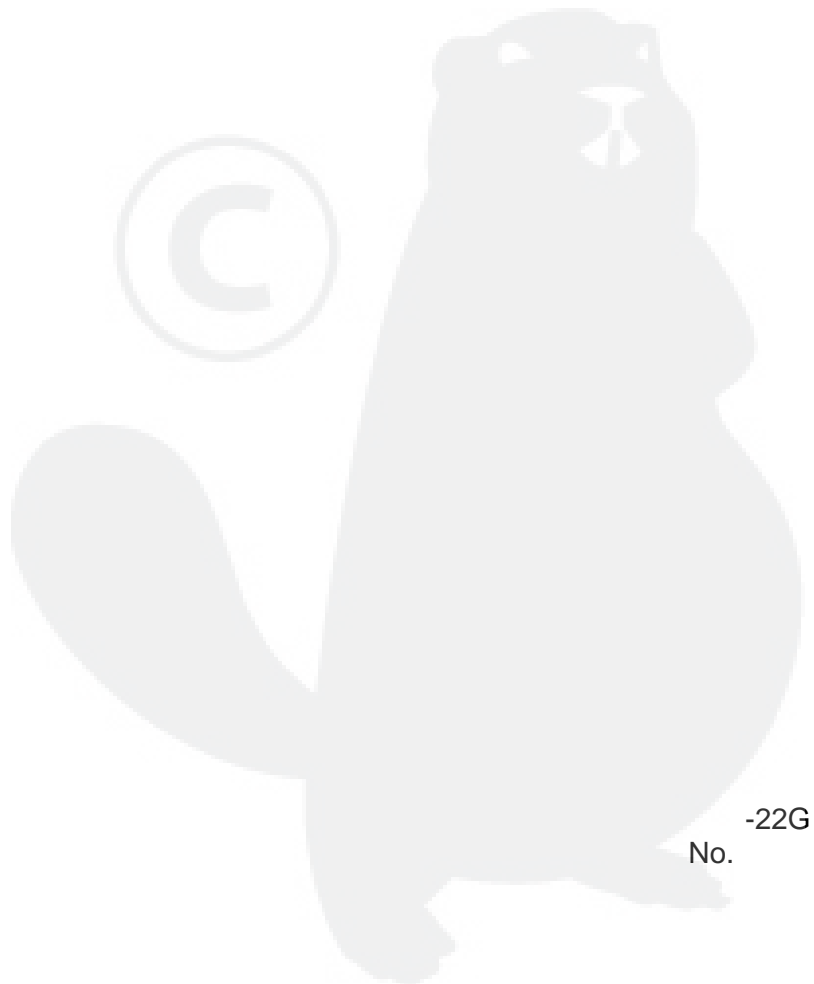
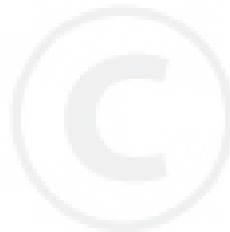
Patrs Number	Key No.	Patrs Number	Key No.	Patrs Number	Key No.
C554-000021	7 - 4				
P003-000090	8 - 18				
P003-000840	8 - 2				
P021-001101	1 - 4				
P021-001102	1 - 4				
P021-009530	7 - 1				
P021-009531	7 - 1				
P021-009540	6 - 1				
P022-000670	6 - 22				
P022-000680	6 - 24				
P022-000700	6 - 28				
P022-000710	6 - 27				
P022-000720	6 - 25				
P022-006190	6 - 26				
P022-010710	6 - 23				
P022-010720	6 - 29				
V103-000240	3 - 1				
V103-000250	3 - 5				
V104-000160	3 - 15				
V306-000150	1 - 8				
V315-000030	2 - 9				
V430-001520	5 - 7				
V471-001190	4 - 7				
V471-001200	4 - 3				
V553-000010	1 - 16				
X047-000370	6 - 21				
X547-000080	2 - 12				
X690-000030	7 - 11				
X698-000040	7 - 14				



# YAMABIKO CORPORATION

7-2 SUEHIROCHO 1-CHOME, OHME, TOKYO 198-8760, JAPAN  
PHONE: 81-428-32-6118. FAX: 81-428-32-6145.

**ECHO**<sup>®</sup>



-22G  
No.