



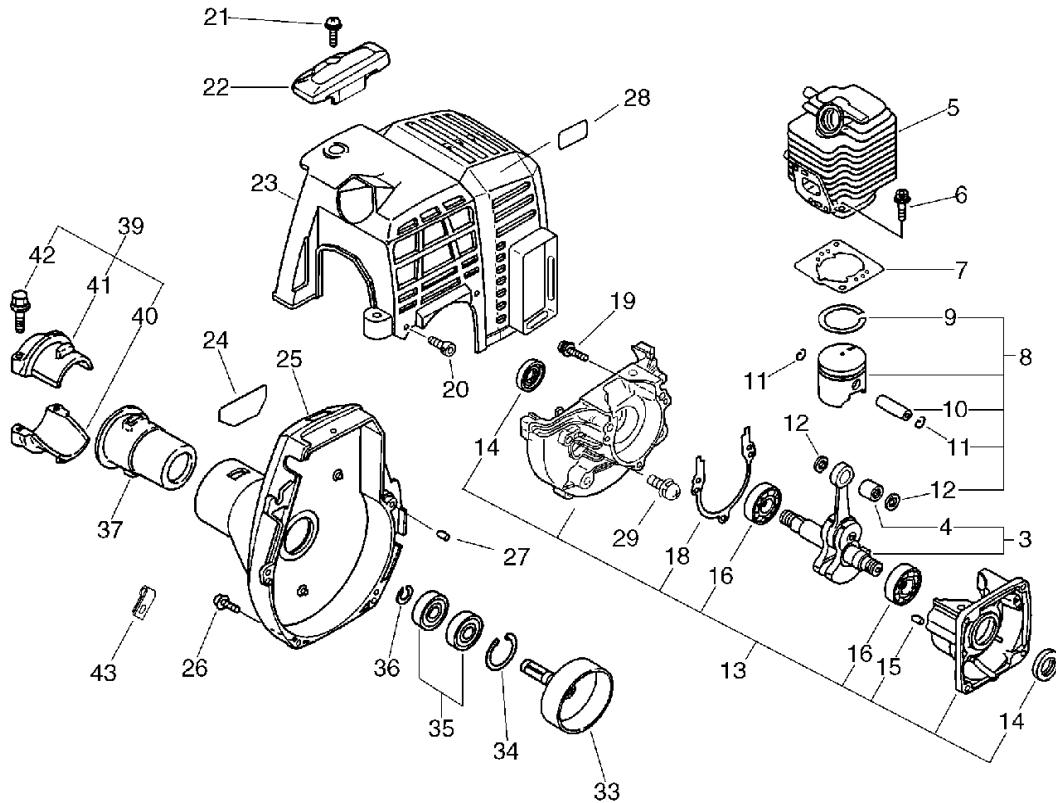
PARTS CATALOG

GRASS-TRIMMER / BRUSHCUTTER

SRM-2306(37)

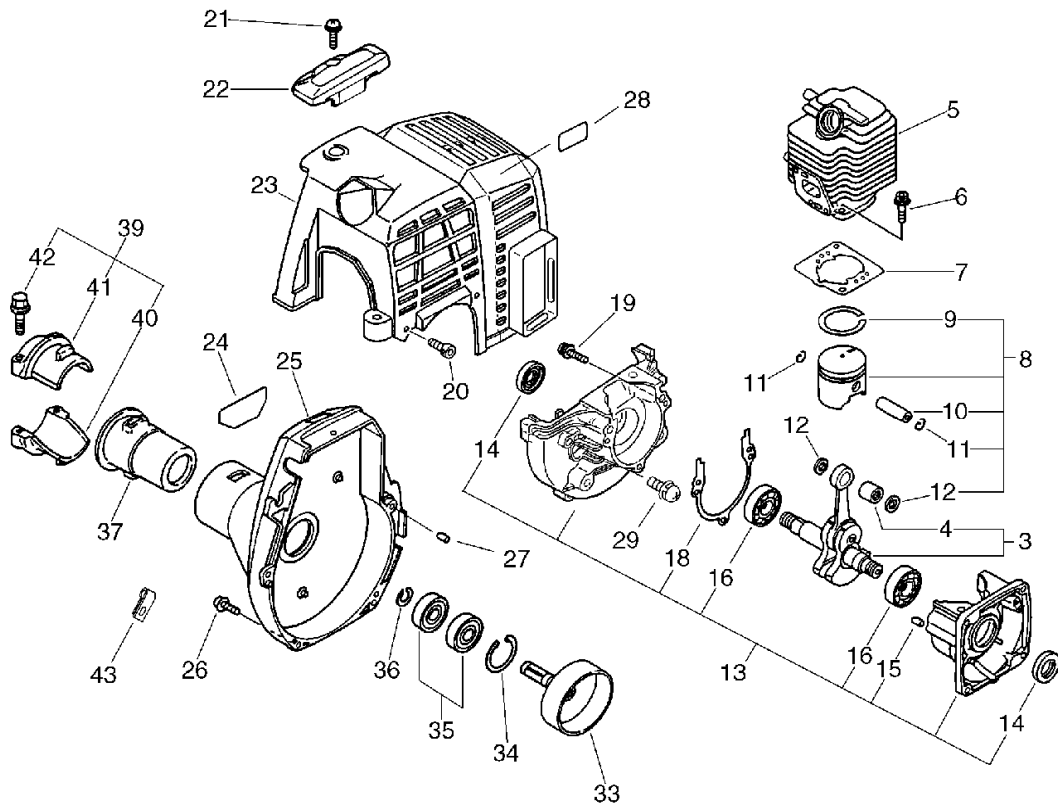
SRM-2306(37)

1. Cylinder, Crankcase, Piston



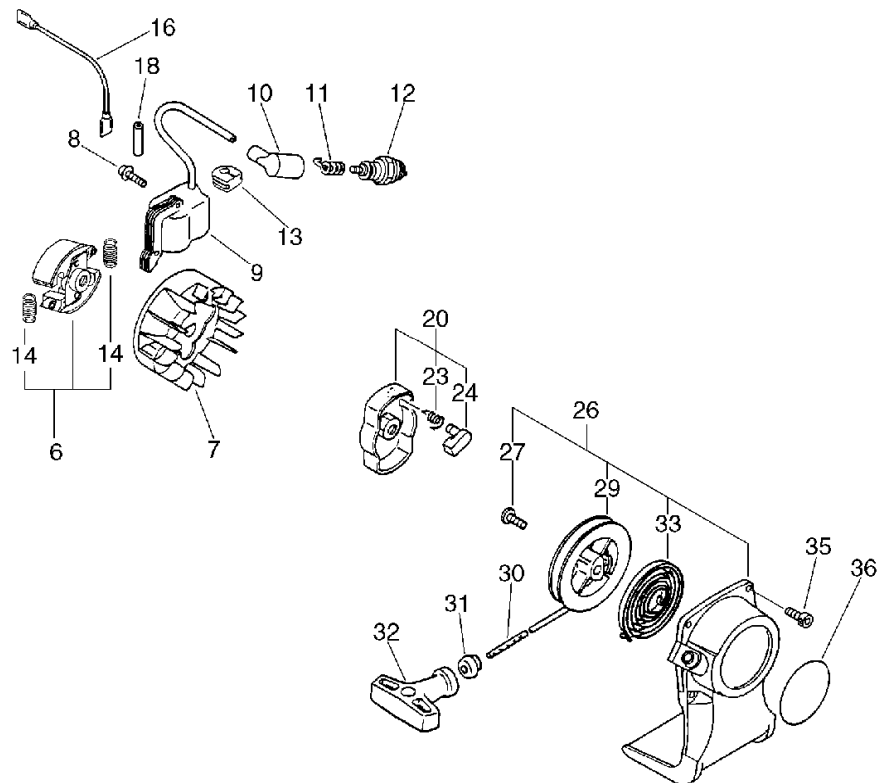
KEY	LV	PART NUMBER	Q'TY	DESCRIPTION	REMARKS	NOTE1	NOTE2
3		A011-000101	1	CRANKSHAFT,ASM			
4	+	V553-000010	1	BEARING,NEEDLE 8	HK0810		
5		A130-000540	1	CYLINDER			
6		900162-05022	2	BOLT, H.S. 5*22	5*22 W,SW		
7		V100-000160	1	GASKET,CYL			
8		P021-007712	1	PISTON KIT			
9	+	A101-000090	1	RING,PISTON			
10	+	100013-11520	1	PIN, PISTON			
11	+	100015-04630	2	CIRCLIP, PISTON PIN			
12	+	100014-11520	2	SPACER, PISTON PIN			
13		100204-52132	1	CRANKCASE KIT			
14	+	100212-42031	2	OILSEAL	ISCD 12*22*4.5		
15	+	100215-03930	2	PIN, DOWEL			
16	+	94035-36201	2	BEARING BALL	6201X3JR2C3		
18	+	100242-42030	1	GASKET, CRANKCASE			
19	+	900162-05028	3	BOLT, H.S. 5*28	5*28 W,SW		
20		V202-000090	2	BOLT,4	4*16		
21		900238-05016	1	SCREW 5*16	5*16		
22		A162-000050	1	GUARD, TOP			
23		A160-000890	1	COVER,CYLINDER			
24		X547-001220	1	LABEL, ECHO	SRM-2306		
25		101503-52131	1	COVER ASSY, FAN			
26		V202-000090	4	BOLT,4	4*16		
27		100215-03930	2	PIN, DOWEL			
28		X505-002310	1	LABEL, CAUTION	HOT CAUTION		

1. Cylinder, Crankcase, Piston



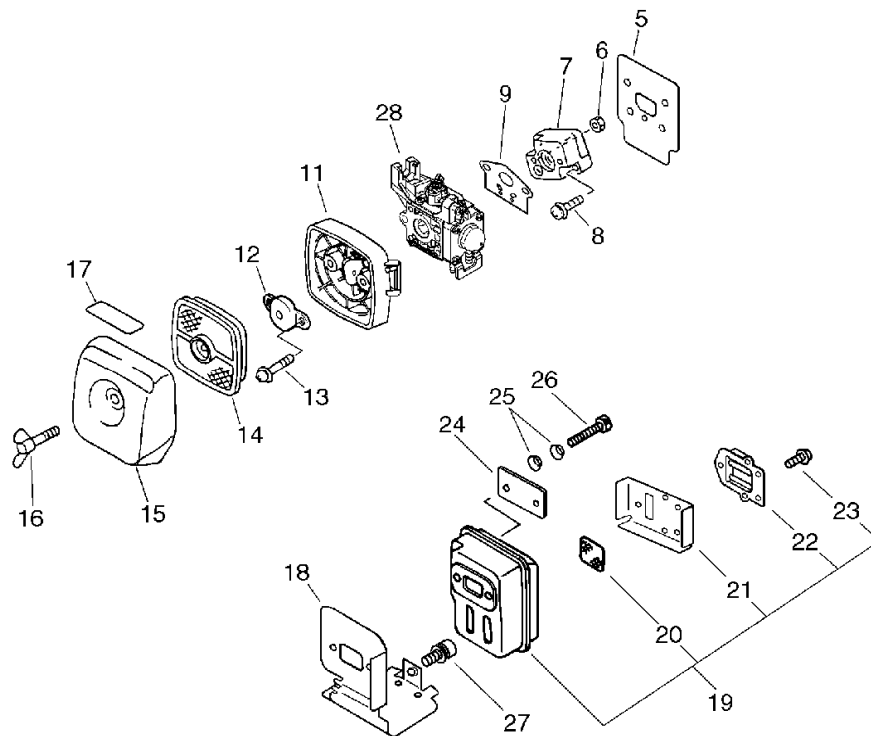
KEY	LV	PART NUMBER	Q'TY	DESCRIPTION	REMARKS	NOTE1	NOTE2
33		A556-000530	1	DRUM, CLUTCH			
34		900702-00028	1	CIRCLIP 28	CR-28		
35		900807-06001	2	BEARING, BALL 6001	6001V(LB)		
36		900701-00012	1	CIRCLIP 12	CS-12		
37		610910-55230	1	CUSHION			
39		P021-014530	1	HOLDER KIT			
40	+	610923-55230	1	HOLDER			
41	+	610922-27432	1	HOLDER			
42	+	91118-05025	2	BOLT	CM-5*25		
43		132112-22031	1	CLIP, FUEL PIPE			

2. Starter, Magneto



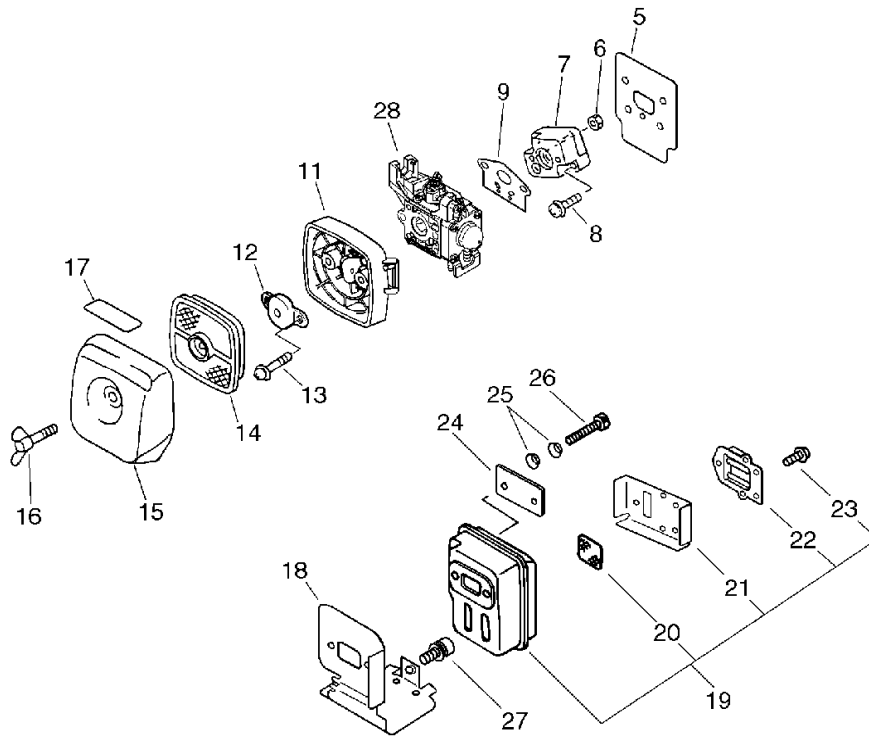
KEY	LV	PART NUMBER	Q'TY	DESCRIPTION	REMARKS	NOTE1	NOTE2
6		175000-52734	1	CLUTCH ASY			
14	+	175018-52131	2	SPRING, CLUTCH			
7		A409-000210	1	ROTOR, MAGNETO			
8		900162-04020	2	BOLT, H.S. 4*20	4*20 W,SW		
9		A411-000140	1	COIL, IGNITION			
10		159012-03433	1	CAP, SPARK PLUG			
11		159011-03432	1	COIL, SPARK PLUG			
12		A425-000000	1	SPARK PLUG	BPMR8Y		
13		156112-40630	1	GROMMET			
16		162010-52830	1	LEAD, GROUND		Sus. by V485-001020	
16		V485-001020	1	LEAD	L240 #250 #187		
18		V475-003960	1	TUBE			
20		177202-44331	1	PAWL ASM., STARTER			
23	+	177234-12220	1	SPRING, PAWL			
24	+	177218-44330	1	PAWL, STARTER	BLACK		
26		177200-54130	1	STARTER ASSY			
27	+	177236-44330	1	SCREW			
29	+	P022-006210	1	DRUM, STARTER			
30	+	177226-44330	1	ROPE, STARTER	3*1,000		
31	+	177227-42030	1	GUIDE, ROPE			
32	+	177228-06530	1	GRIP, STARTER			
33	+	177220-42030	1	SPRING, REWIND			
35		V202-000090	2	BOLT, 4	4*16		
36		X502-000330	1	LABEL, ECHO	ECHO		

3. Air Cleaner, Carburetor, Muffler(Sr/Nr 37007210 and before)



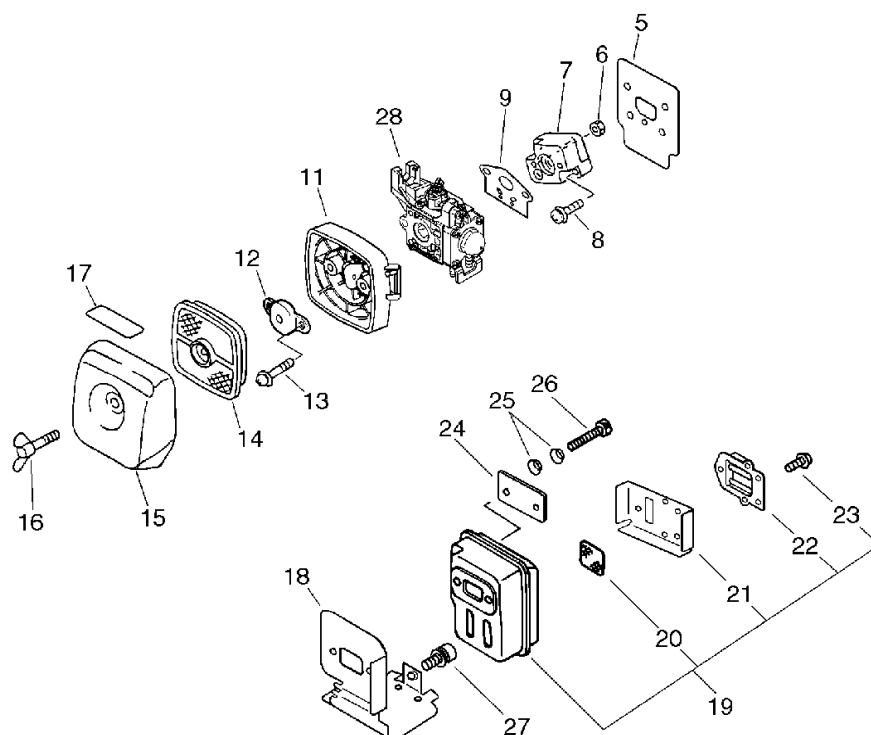
KEY	LV	PART NUMBER	Q'TY	DESCRIPTION	REMARKS	NOTE1	NOTE2
4		100015-00120	1	CIRCLIP, PISTON PIN		Disuse	
5		130010-42032	1	GASKET,INTAKE			
6		900500-00005	2	NUT 5	5		
7		130017-44330	1	INSULATOR		Sus. by 130017-44331	
7		130017-44331	1	INSULATOR			
8		900238-05020	2	SCREW 5*20	5*20	Sus. by 900238-05022	
8		900238-05022	2	SCREW 5*22	5*22		
9		130010-13410	1	GASKET, INTAKE			
10		A021-001460	1	CARBURETOR,DIAPHRAGM	RB-K87	Sr/Nr 37007210 and before	
11		P021-004480	1	CASE, AIR CLEANER			
12		129011-52730	1	PLATE, PREVENT			
13		900220-05065	2	SCREW 5*65	5*65		
14		130310-54130	1	FILTER, AIR			
15		130313-05863	1	LID, AIR CLEANER			
16		210417-52730	1	BOLT, WING	5*20		
17		890332-52730	1	LABEL, CHOKE			
18		V104-000500	1	GASKET,EXHAUST			
19		P021-008100	1	MUFFLER ASY		Sus. by P021-008101	
20	+	145862-40630	1	SCREEN, MUFFLER			
21	+	V104-000360	1	GASKET,EXHAUST			
22	+	A313-000600	1	GUIDE,EXH			
23	+	91367-04010	5	SCREW	4*10/SW(SUS)		

3. Air Cleaner, Carburetor, Muffler(Sr/Nr 37007210 and before)



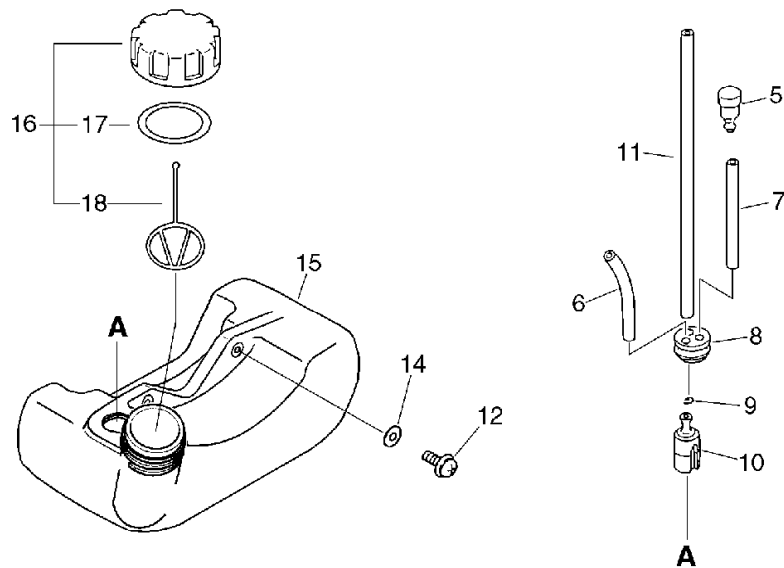
KEY	LV	PART NUMBER	Q'TY	DESCRIPTION	REMARKS	NOTE1	NOTE2
24		V150-000371	1	PLATE,EYE			
25		V347-000000	4	WASHER,CONICAL			
26		900105-05055	2	BOLT, H.S. 5*55	5*55		
27		91121-04008	1	BOLT, FLANGE	M4*8 10.9		

4. Air Cleaner, Carburetor, Muffler(Sr/Nr 37007211 and after)



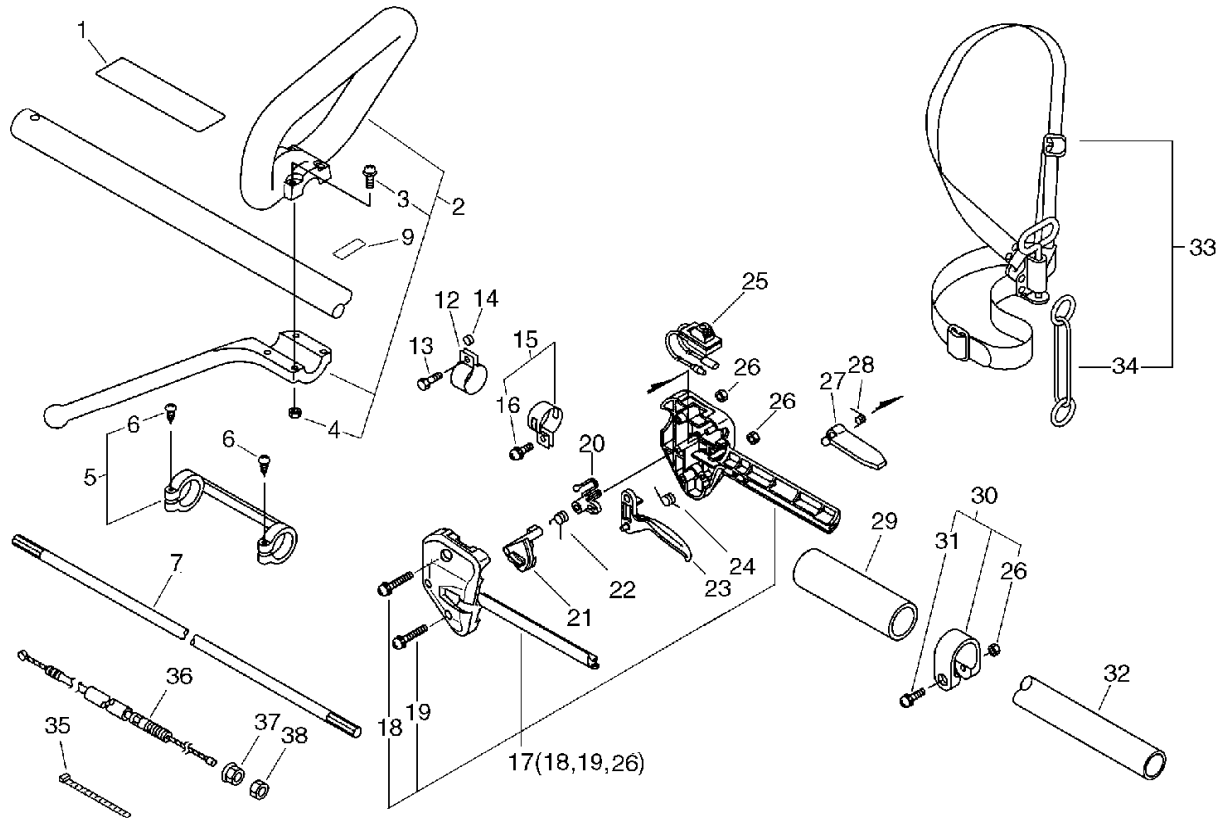
KEY	LV	PART NUMBER	Q'TY	DESCRIPTION	REMARKS	NOTE1	NOTE2
5		130010-42032	1	GASKET,INTAKE			
6		900500-00005	2	NUT 5	5		
7		130017-44331	1	INSULATOR			
8		900238-05022	2	SCREW 5*22	5*22		
9		130010-13410	1	GASKET, INTAKE			
28		A021-001690	1	CARBURETOR,DIAPHRAGM	ZAMA RB-X1746	Sr/Nr 37007211 and after	
11		P021-004480	1	CASE, AIR CLEANER			
12		129011-52730	1	PLATE, PREVENT			
13		900220-05065	2	SCREW 5*65	5*65		
14		130310-54130	1	FILTER, AIR			
15		130313-05863	1	LID, AIR CLEANER			
16		210417-52730	1	BOLT, WING	5*20		
17		890332-52730	1	LABEL, CHOKE			
18		V104-000500	1	GASKET,EXHAUST			
19		P021-008100	1	MUFFLER ASY			
19		P021-008101	1	MUFFLER ASY			
20	+	145862-40630	1	SCREEN, MUFFLER			
21	+	V104-000360	1	GASKET,EXHAUST			
22	+	A313-000600	1	GUIDE,EXH			
23	+	91367-04010	5	SCREW	4*10/SW(SUS)		
24		V150-000371	1	PLATE EYE			
25		V347-000000	4	WASHER,CONICAL			
26		900105-05055	2	BOLT, H.S. 5*55	5*55		
27		91121-04008	1	BOLT, FLANGE	M4*8 10.9		

5. Fuel Tank



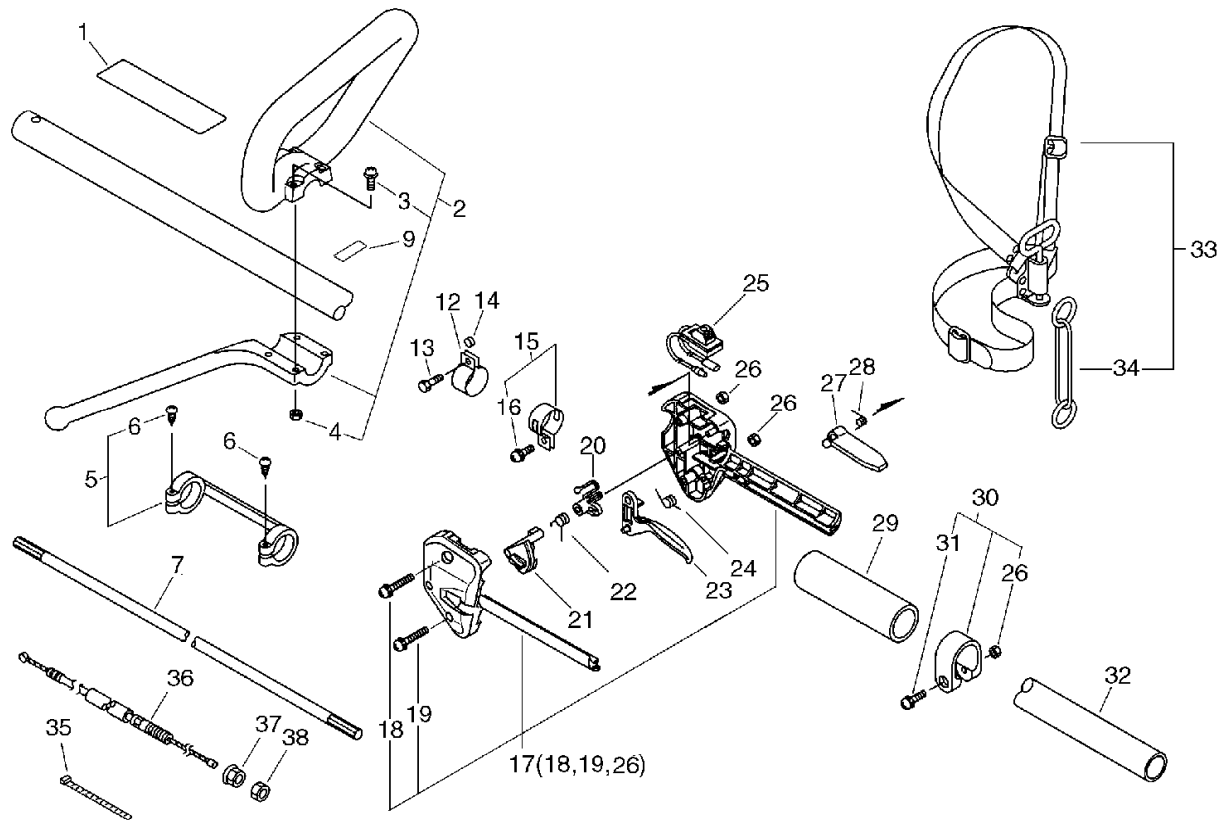
KEY	LV	PART NUMBER	Q'TY	DESCRIPTION	REMARKS	NOTE1	NOTE2
5		A356-000030	1	VALVE,CHECK			
6		132012-56030	1	PIPE	3*6*80 YL		
7		V471-001200	1	PIPE	3*5*70 NBR		
8		132115-46730	1	GROMMET, FUEL			
9		132013-09820	1	CLIP	6MM		
10		131205-07320	1	STRAINER, FUEL			
11		V471-002130	1	PIPE	3*5*220		
12		91118-05020	2	BOLT	CM-5*20		
14		900603-00005	2	WASHER 5	5.5*12*0.8		
15		A350-000480	1	TANK, FUEL			
16		P021-012210	1	CAP,FUEL ASY			
17	+	131016-55830	1	GASKET, FUEL CAP			
18	+	A365-000060	1	CONNECTOR,CAP	L=123		

6. L-Handle(Sr/Nr 37007210 and before)



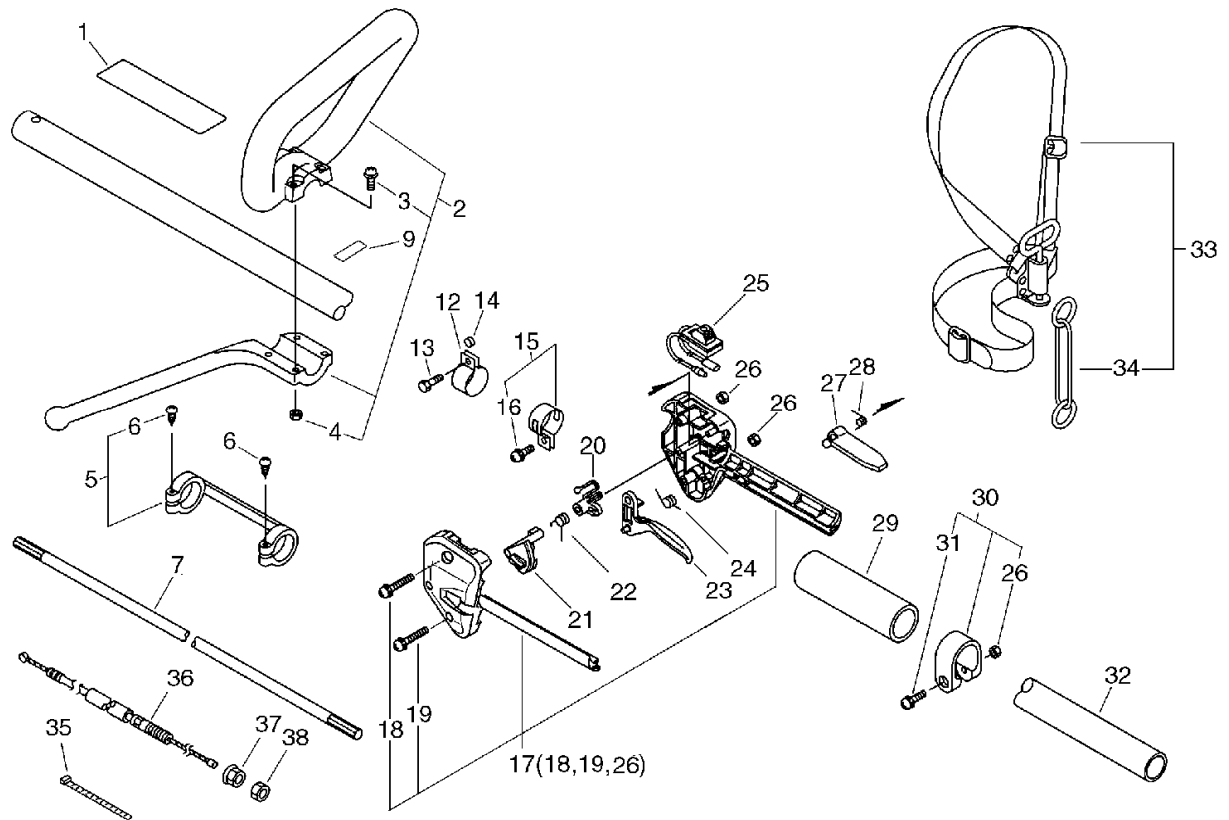
KEY	LV	PART NUMBER	Q'TY	DESCRIPTION	REMARKS	NOTE1	NOTE2
1		890617-43130	1	LABEL,CAUTION			
2		351201-54130	1	HANDLE ASSY, LOOP			
3	+	900242-05035	4	SCREW 5*35	5*35		
4	+	900500-00005	4	NUT 5	5		
5		610281-54130	1	COLLER		Sus. by 610281-54131	
6	+	900253-04025	2	SCREW 4*25	4*25		
7		610018-27830	1	SHAFT, DRIVE			
8		V430-001880	1	CABLE,BOWDEN	320+71	Disuse	
9		890152-04930	1	LABEL, CAUTION			
12		301207-08930	1	HOOK			
13		900100-05018	1	BOLT 5*18	5*18		
14		699012-03330	1	SPACER			
15		301200-29430	1	BAND ASSY			
16	+	900242-05014	1	SCREW 5*14	5*14		
17		P021-005850	1	BRACKET SET,THROTTLE			
18	+	900242-05035	1	SCREW 5*35	5*35		
19	+	900242-05025	1	SCREW 5*25	5*25		
26	+	900500-00005	2	NUT 5	5		
20		C461-000000	1	LATCH,THROTTLE			
21		C461-000010	1	LATCH,THROTTLE			
22		V452-000120	1	SPRING,TORSION			
23		C450-000110	1	TRIGGER,THROTTLE			
24		178043-42230	1	SPRING, THR. RETURN			
25		A440-001110	1	SWITCH, ON OFF	L:560 L:590		
27		178090-52632	1	LOCKOUT, T. CONTROL			

6. L-Handle(Sr/Nr 37007210 and before)



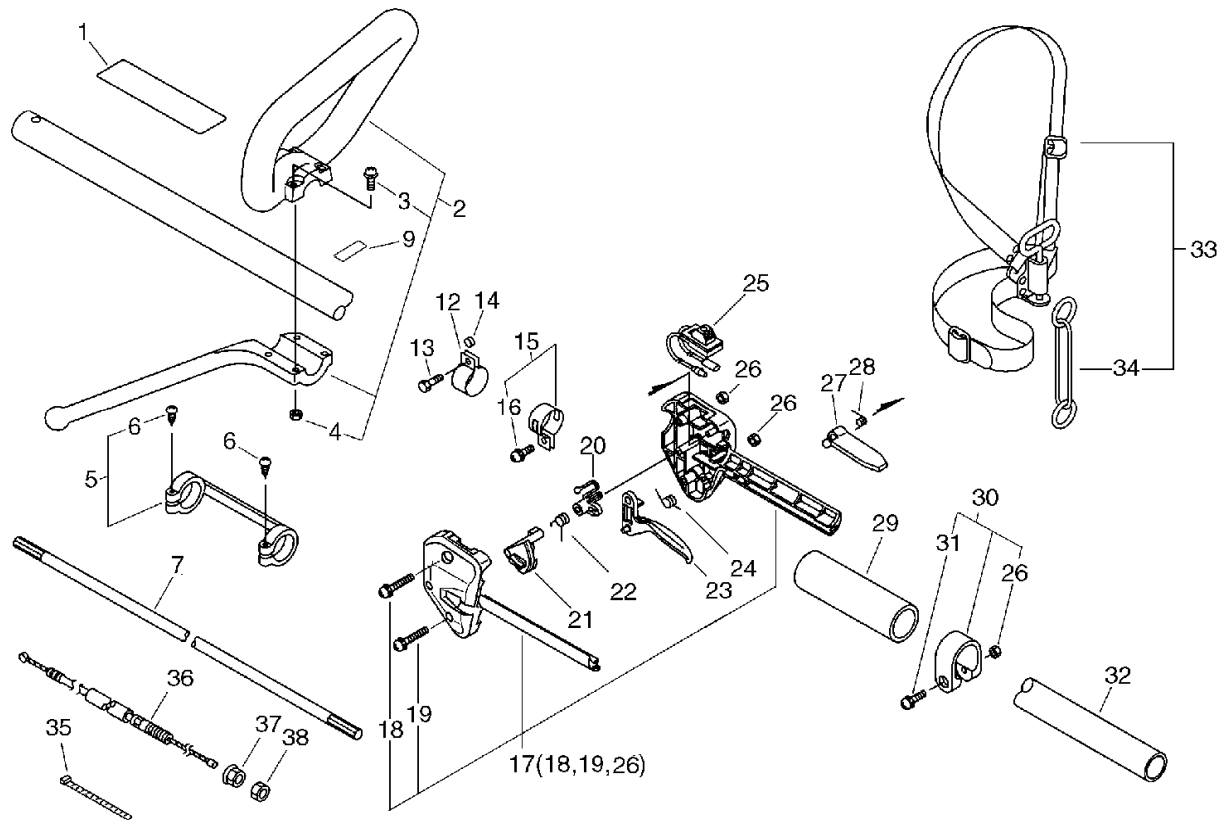
KEY	LV	PART NUMBER	Q'TY	DESCRIPTION	REMARKS	NOTE1	NOTE2
28		178013-52630	1	SPRING, THR. LOCK			
29		C403-000140	1	GRIP, HANDLE	L129.5*28		
30		P021-014550	1	BAND 25			
31	+	900242-05028	1	SCREW 5*28	5*28		
26	+	900500-00005	1	NUT 5	5		
32		610206-28230	1	HOUSING ASS'Y D.SFT.			
33		301000-55231	1	HARNESS ASY, SHOULDER			
34	+	301305-24330	1	LINK			
35		178121-08550	1	BAND	CV-100		

7. L-Handle(Sr/Nr 37007211 and after)



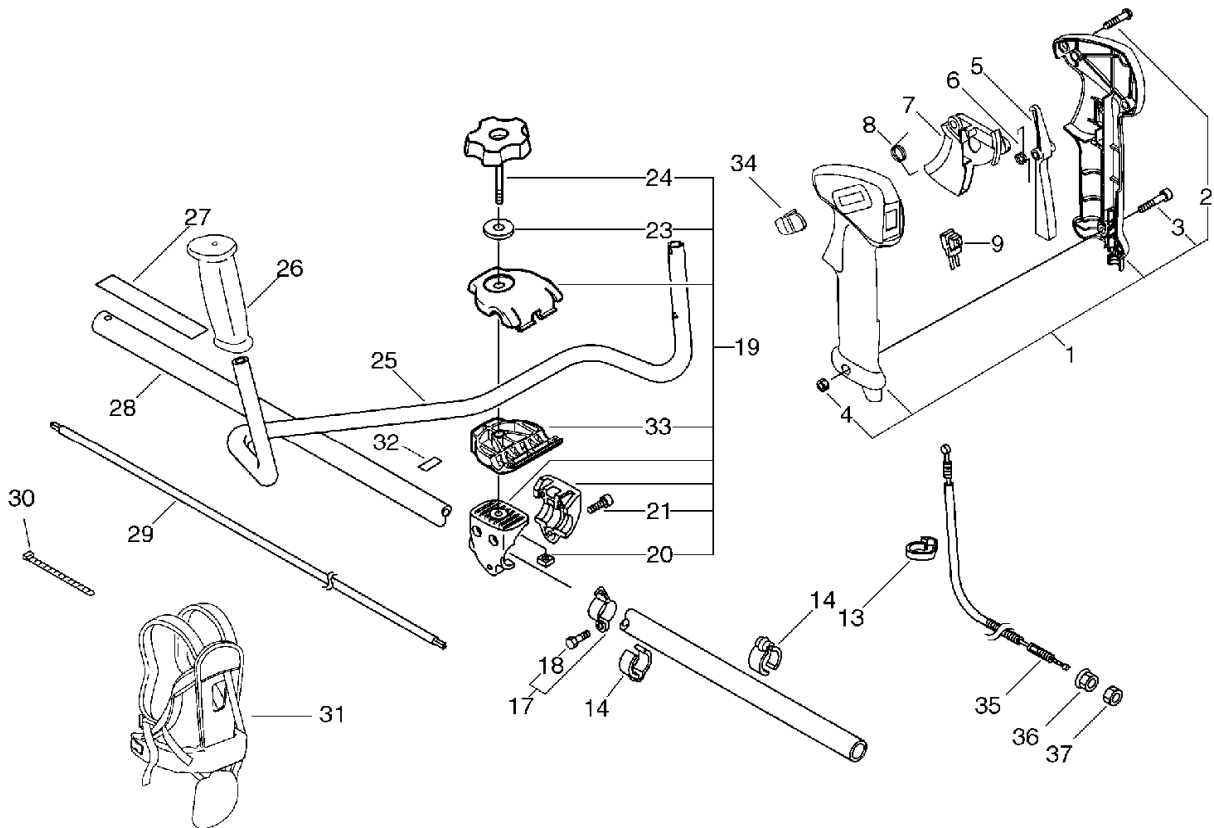
KEY	LV	PART NUMBER	Q'TY	DESCRIPTION	REMARKS	NOTE1	NOTE2
1		890617-43130	1	LABEL,CAUTION			
2		351201-54130	1	HANDLE ASSY, LOOP			
3	+	900242-05035	4	SCREW 5*35	5*35		
4	+	900500-00005	4	NUT 5	5		
5		610281-54130	1	COLLER			
6	+	900253-04025	2	SCREW 4*25	4*25		
7		610018-27830	1	SHAFT, DRIVE			
9		890152-04930	1	LABEL, CAUTION			
12		301207-08930	1	HOOK			
13		900100-05018	1	BOLT 5*18	5*18		
14		699012-03330	1	SPACER			
15		301200-29430	1	BAND ASSY			
16	+	900242-05014	1	SCREW 5*14	5*14		
17		P021-005850	1	BRACKET SET,THROTTLE		Sus. by P021-005851	
18	+	900242-05035	1	SCREW 5*35	5*35		
19	+	900242-05025	1	SCREW 5*25	5*25		
26	+	900500-00005	2	NUT 5	5		
20		C461-000000	1	LATCH,THROTTLE			
21		C461-000010	1	LATCH,THROTTLE			
22		V452-000120	1	SPRING,TORSION			
23		C450-000110	1	TRIGGER,THROTTLE			
24		178043-42230	1	SPRING, THR. RETURN			
25		A440-001110	1	SWITCH, ON OFF	L:560 L:590	Sus. by A440-001111	
27		178090-52632	1	LOCKOUT, T. CONTROL			

7. L-Handle(Sr/Nr 37007211 and after)



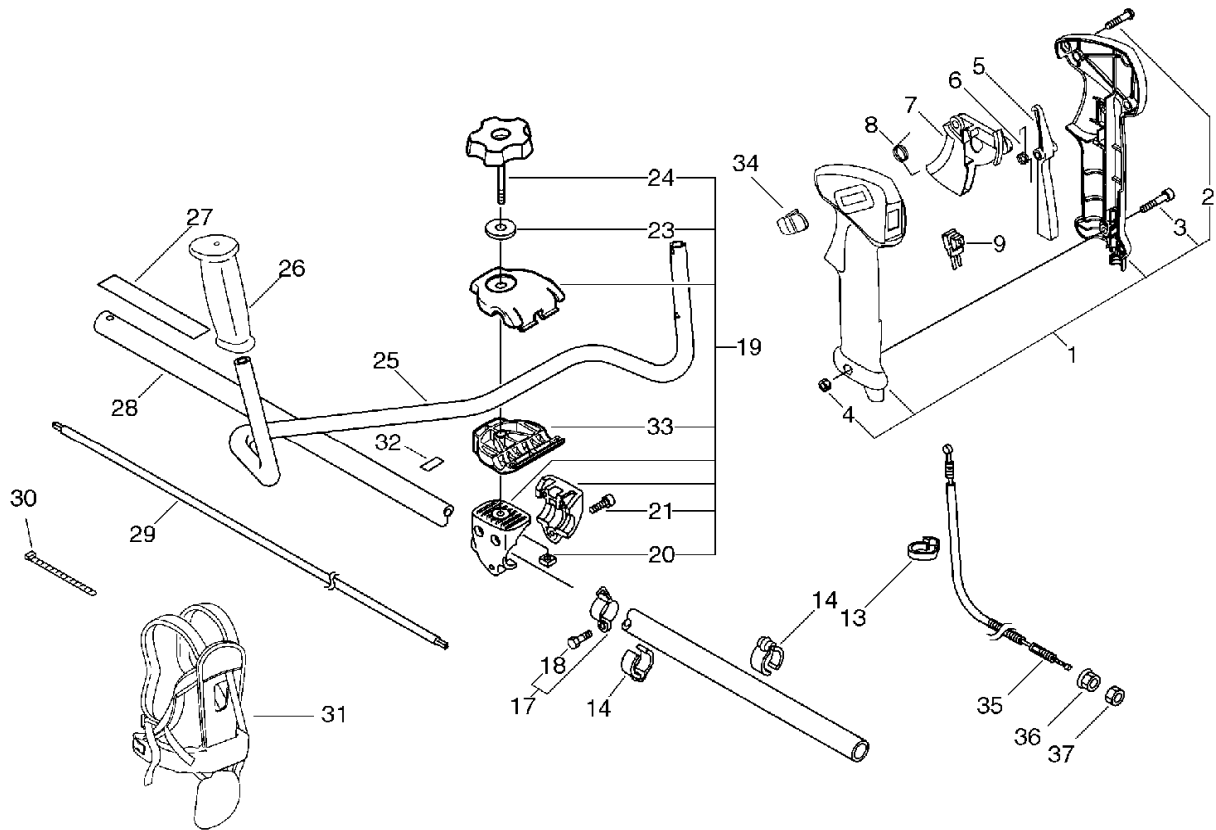
KEY	LV	PART NUMBER	Q'TY	DESCRIPTION	REMARKS	NOTE1	NOTE2
28		178013-52630	1	SPRING, THR. LOCK			
29		C403-000140	1	GRIP, HANDLE	L129.5*28		
30		P021-014550	1	BAND 25			
31	+	900242-05028	1	SCREW 5*28	5*28		
26	+	900500-00005	1	NUT 5	5		
32		610206-28230	1	HOUSING ASS'Y D,SFT.			
33		301000-55231	1	HARNESS ASY,SHOULDER			
34	+	301305-24330	1	LINK			
35		178121-08550	1	BAND	CV-100		
36		V430-002290	1	CABLE,BOWDEN	330+61	Sr/Nr 37007211 and after	
37		900518-00006	1	NUT, FLANGE	6	Sr/Nr 37007211 and after	
38		900502-00006	1	NUT 6 (3N)	3N6	Sr/Nr 37007211 and after	

8. U-Handle(Sr/Nr 37007210 and before)



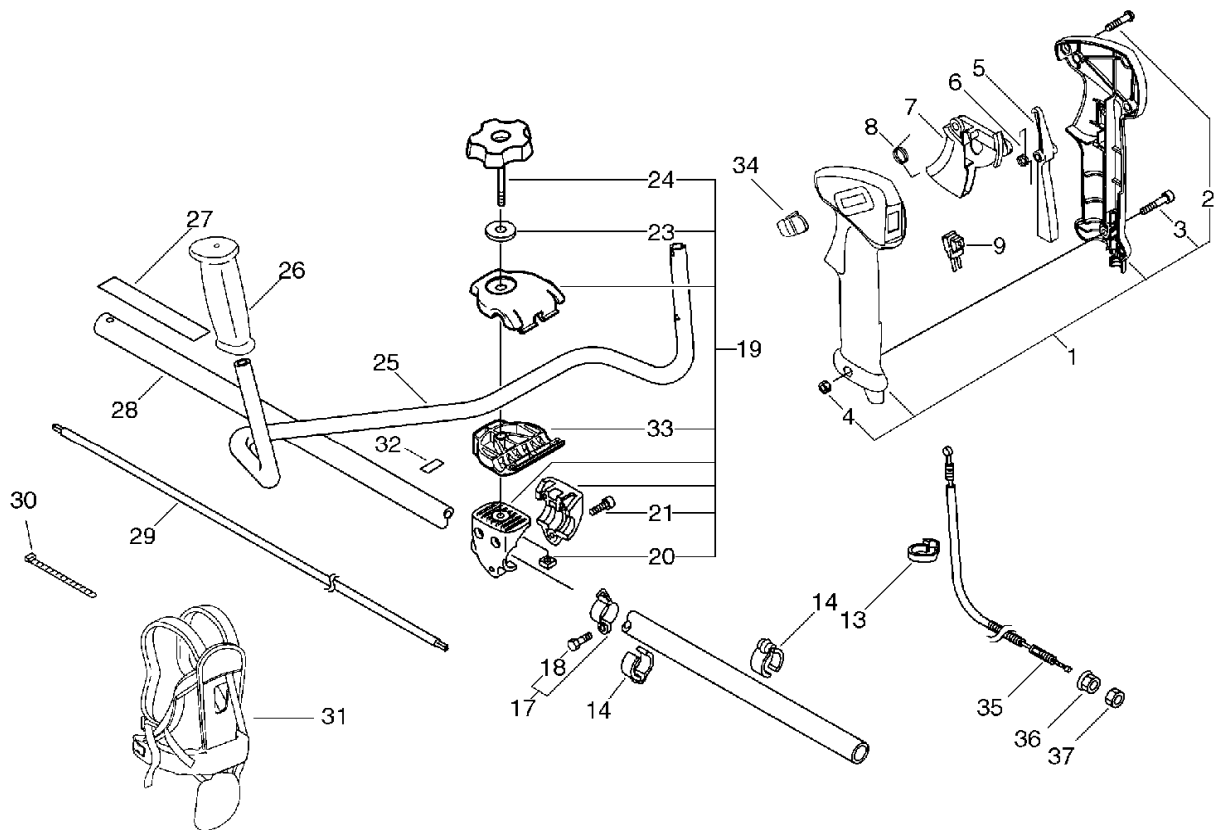
KEY	LV	PART NUMBER	Q'TY	DESCRIPTION	REMARKS	NOTE1	NOTE2
1		P021-014090	1	GRIP ASY,F-HANDLE			
2	+	900256-04016	3	SCREW 4*16	4*16		
3	+	91119-05030	1	BOLT			
4	+	900500-00005	1	NUT 5	5		
5		C460-000110	1	LOCKOUT, THROTTLE		Sus. by C460-000111	
5		C460-000111	1	LOCKOUT, THROTTLE	70MM		
6		V452-000350	1	SPRING,TORSION			
7		C450-000270	1	CONTROL, THROTTLE			
8		V452-000360	1	SPRING,TORSION			
9		A440-001120	1	SWITCH, ON OFF			
11		V430-002110	1	CABLE,BOWDEN	950+102	Disuse	
13		159112-09961	1	CLIP			
14		224924-52130	2	CLIP	25MM		
17		P021-011180	1	HOOK ASS'Y			
18	+	900105-05012	1	BOLT, H.S. 5*12	5*12		
19		P021-012820	1	FIXTURE,ASY HANDLE	SRM-2655SI		
20	+	900565-50008	1	NUT	8*1.25		
21	+	91118-05030	3	BOLT			
23	+	605014-54230	1	WASHER			
24	+	V299-000110	1	KNOB,FASTENER			
33	+	C423-000041	1	FIXTURE,HANDLE			
25		C400-000000	1	HANDLE,FRONT			
26		C403-000031	1	GRIP,HANDLE			
27		890617-43130	1	LABEL,CAUTION			
28		610206-28230	1	HOUSING ASS'Y D,SFT.			

8. U-Handle(Sr/Nr 37007210 and before)



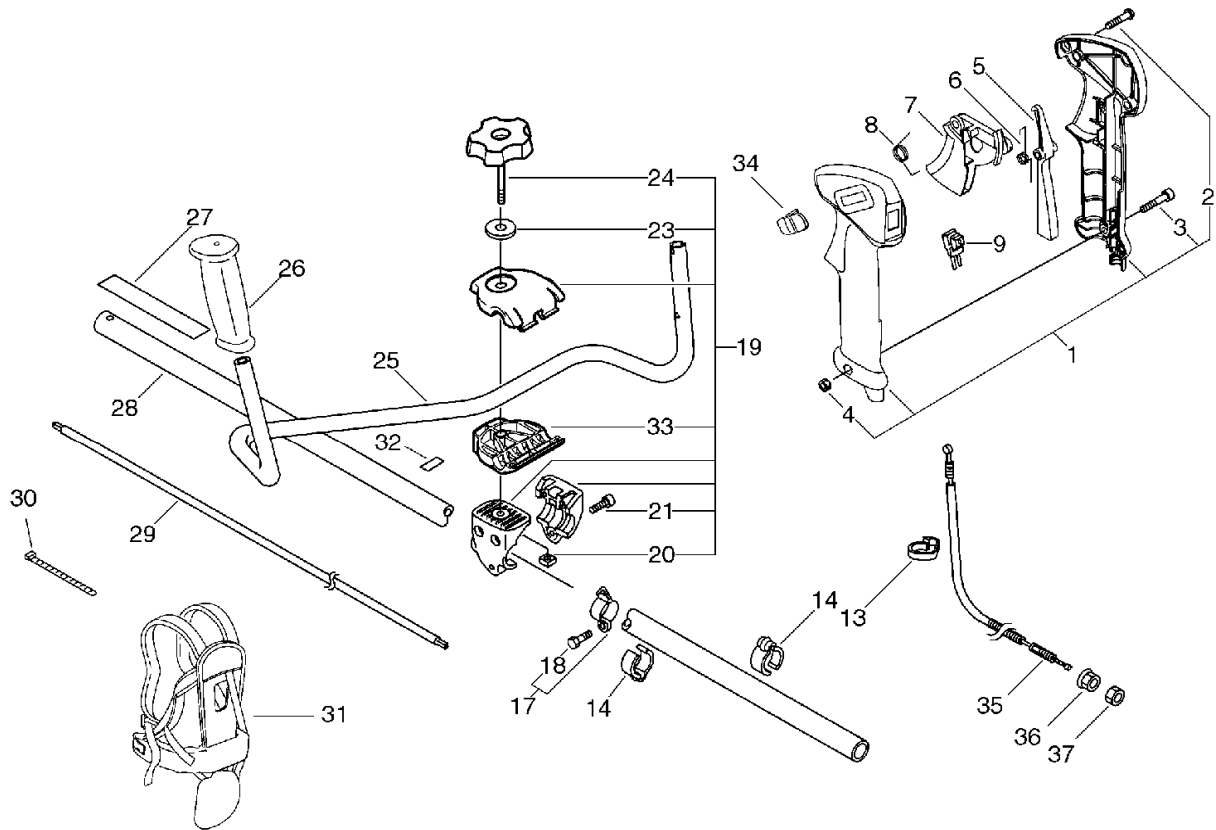
KEY	LV	PART NUMBER	Q'TY	DESCRIPTION	REMARKS	NOTE1	NOTE2
29		610018-27830	1	SHAFT, DRIVE			
30		178121-08550	1	BAND	CV-100		
31		C062-000192	1	HARNESS SHOULDER			
32		890152-04930	1	LABEL, CAUTION			
34		C463-000020	1	KNOB, LATCH			

9. U-Handle(Sr/Nr 37007211 and after)



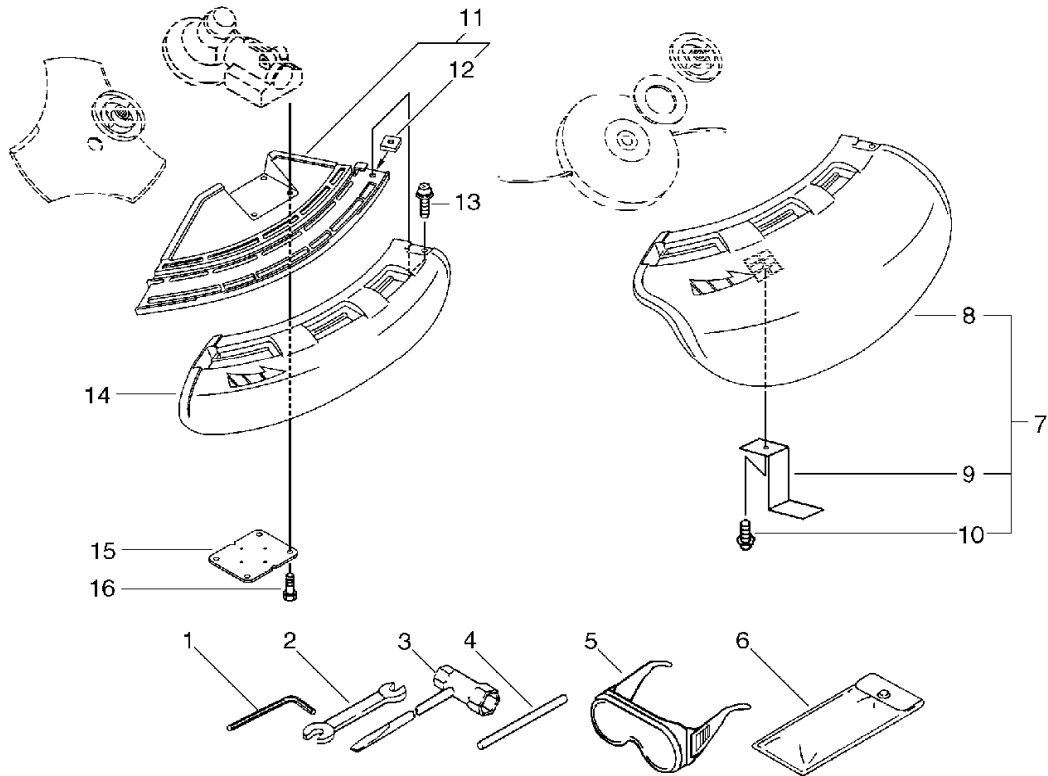
KEY	LV	PART NUMBER	Q'TY	DESCRIPTION	REMARKS	NOTE1	NOTE2
1		P021-014090	1	GRIP ASY,F-HANDLE			
2	+	900256-04016	3	SCREW 4*16	4*16		
3	+	91119-05030	1	BOLT			
4	+	900500-00005	1	NUT 5	5		
5		C460-000111	1	LOCKOUT, THROTTLE	70MM		
6		V452-000350	1	SPRING,TORSION			
7		C450-000270	1	CONTROL, THROTTLE			
8		V452-000360	1	SPRING,TORSION			
9		A440-001120	1	SWITCH, ON OFF		Sus. by A440-001121	
13		159112-09961	1	CLIP			
14		224924-52130	2	CLIP	25MM		
17		P021-011180	1	HOOK ASS'Y			
18	+	900105-05012	1	BOLT, H.S. 5*12	5*12		
19		P021-012820	1	FIXTURE,ASY HANDLE	SRM-2655SI		
20	+	900565-50008	1	NUT	8*1.25		
21	+	91118-05030	3	BOLT			
23	+	605014-54230	1	WASHER			
24	+	V299-000110	1	KNOB,FASTENER			
33	+	C423-000041	1	FIXTURE,HANDLE			
25		C400-000000	1	HANDLE,FRONT			
26		C403-000031	1	GRIP,HANDLE			
27		890617-43130	1	LABEL,CAUTION			
28		610206-28230	1	HOUSING ASS'Y D,SFT.			
29		610018-27830	1	SHAFT, DRIVE			
30		178121-08550	1	BAND	CV-100		

9. U-Handle(Sr/Nr 37007211 and after)



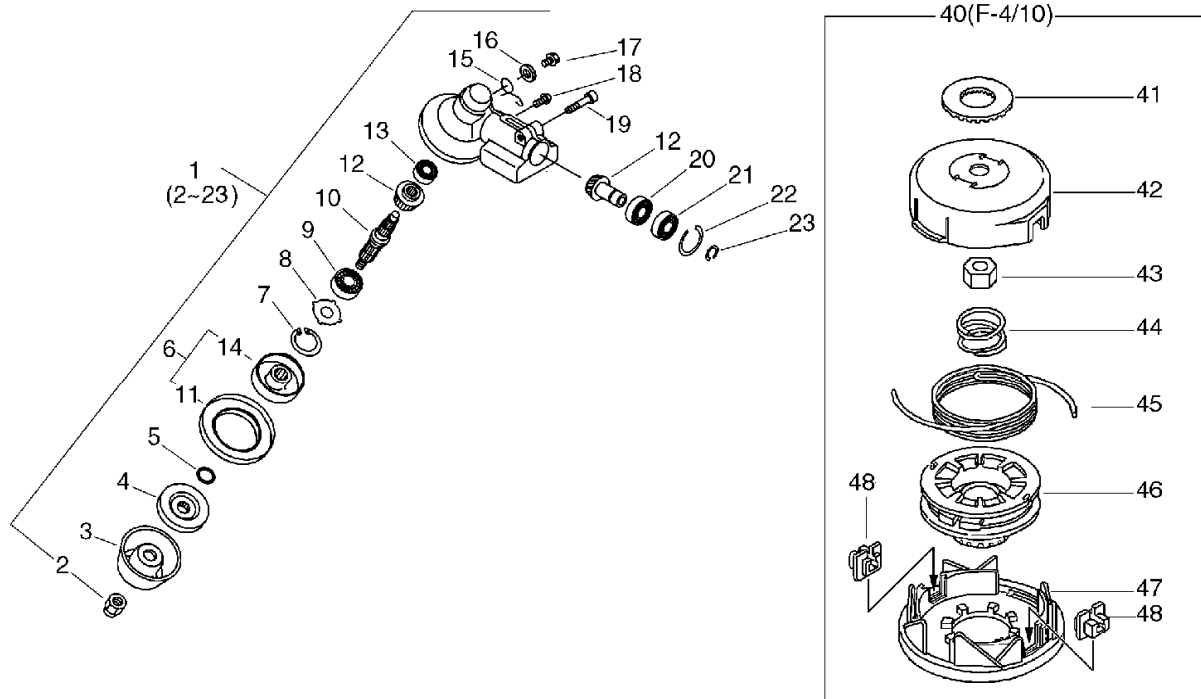
KEY	LV	PART NUMBER	Q'TY	DESCRIPTION	REMARKS	NOTE1	NOTE2
31		C062-000192	1	HARNES,SHOULDER			
32		890152-04930	1	LABEL, CAUTION			
34		C463-000020	1	KNOB, LATCH			
35		V430-002330	1	CABLE,BOWDEN	960+90	Sr/Nr 37007211 and after	
36		900518-00006	1	NUT, FLANGE	6	Sr/Nr 37007211 and after	
37		900502-00006	1	NUT 6 (3N)	3N6	Sr/Nr 37007211 and after	

10. Shield, Tools



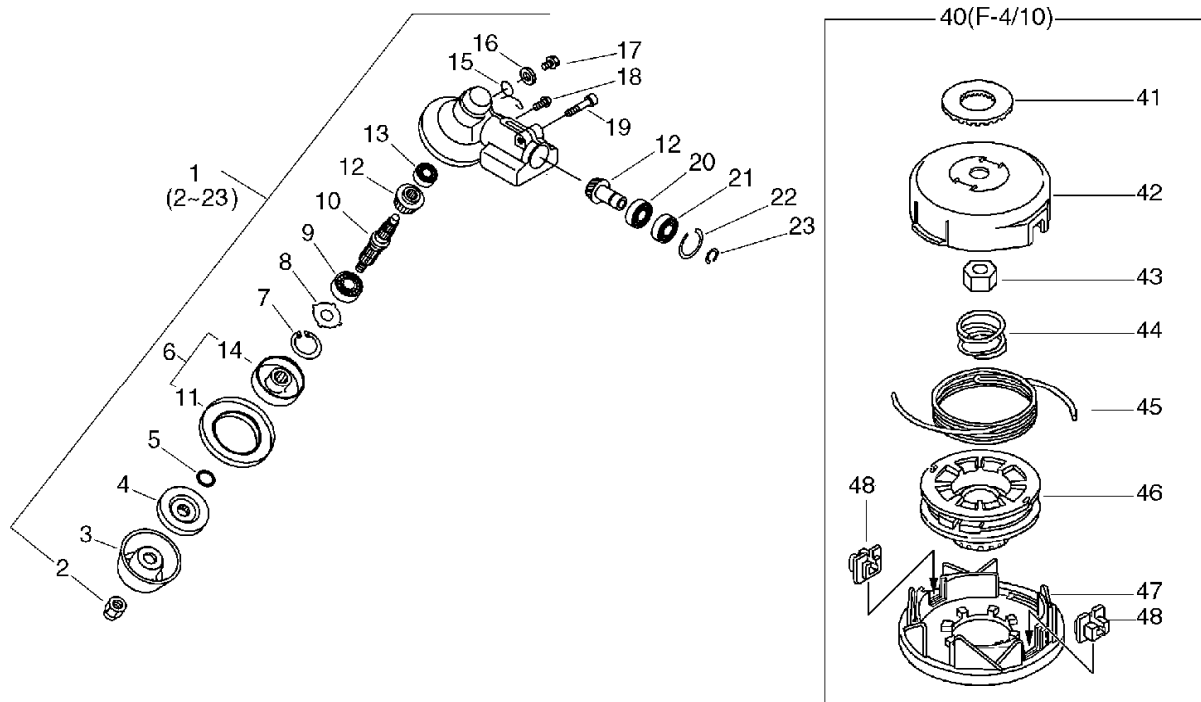
KEY	LV	PART NUMBER	Q'TY	DESCRIPTION	REMARKS	NOTE1	NOTE2
1		895610-00130	1	L-WRENCH (4MM)			
2		895112-00330	1	SPANNER 8*10			
3		X602-000020	1	TOOL,WRENCH	17*19 L200		
4		897518-01131	1	LOCKING TOOL			
5		P021-002861	1	GOGGLES			
6		898510-07130	1	BAG, TOOL			
7		P021-002620	1	SHIELD,BLADE(W/KNIFE			
8	+	C550-000080	1	SHIELD,BLADE			
9	+	C554-000000	1	KNIFE,CORD			
10	+	900252-05012	1	SCREW 5*12	5*12		
11		C550-000100	1	SHIELD,BLADE			
12	+	900565-00005	1	NUT	5		
13		900242-05018	1	SCREW 5*18	5*18		
14		C550-000090	1	SHIELD,BLADE			
15		699013-56830	1	PLATE, SHIELD			
16		91118-05025	4	BOLT	CM-5*25		

11. L-Gear Case



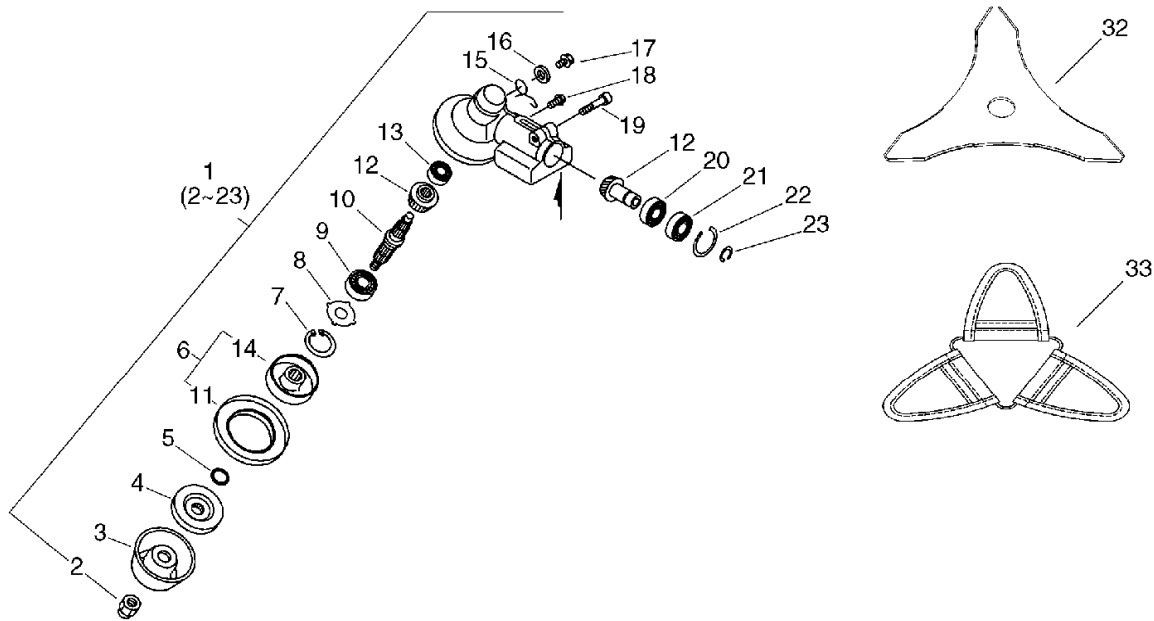
KEY	LV	PART NUMBER	Q'TY	DESCRIPTION	REMARKS	NOTE1	NOTE2
1		P021-012610	1	CASE,GEAR		Sus. by P021-012611	
2	+	610320-52130	1	NUT 10			
3	+	699229-56830	1	PLATE, COVER			
4	+	610314-52130	1	PLATE, ADAPTER (L)			
5	+	900720-00012	1	O-RING 12	P-12		
6	+	610313-52932	1	FIXTURE, BLADE			
11	++	610352-56830	1	PLATE, CUP			
14	++	610313-52132	1	FIXTURE, BLADE			
7	+	900702-00032	1	CIRCLIP 32	CR-32		
8	+	610444-56830	1	WASHER			
9	+	900812-06201	1	BEARING, BALL 6201	6201DDU(LLU)		
10	+	610310-56830	1	SHAFT, P.T.O.		Sus. by 610310-56831	
12	+	610300-40830	1	GEAR SET			
13	+	900810-00626	1	BEARING, BALL 626	626		
15	+	610473-52131	1	SPRING			
16	+	900603-50008	1	WASHER	8.5*18*0.8T		
17	+	610434-50031	1	BOLT 8*8	M8*8		
18	+	900242-05010	1	SCREW 5*10	5*10		
19	+	91118-06025	1	BOLT			
20	+	900855-06900	1	BEARING, BALL 6900	6900		
21	+	900858-06900	1	BEARING, BALL 6900Z	6900Z		
22	+	900702-00022	1	CIRCLIP 22	CR-22		
23	+	900706-00010	1	CIRCLIP 10	WR-10		
40		X047-000270	1	CUTTER, ASM LINE	F4/10 M10L		

11. L-Gear Case



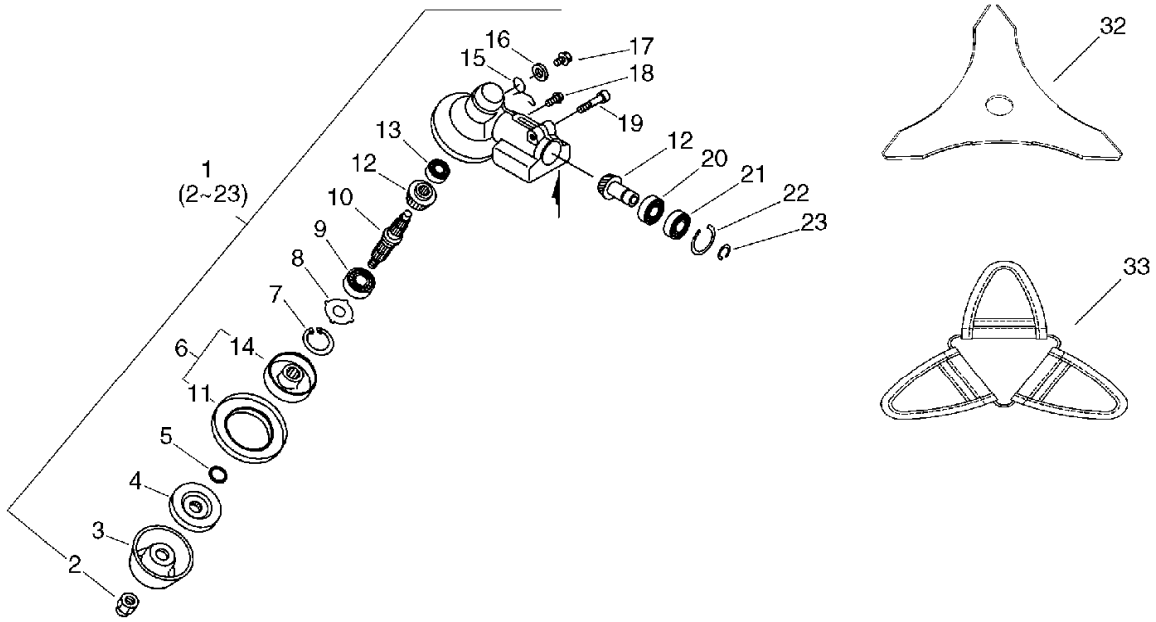
KEY	LV	PART NUMBER	Q'TY	DESCRIPTION	REMARKS	NOTE1	NOTE2
41	+	V332-000000	1	WASHER,CIRCULAR 24			
42	+	P022-003310	1	HOUSING			
43	+	P022-001220	1	NUT			
44	+	P022-001250	1	SPRING	DS-3/10		
45	+	P022-006190	1	NYLON CODE	3.0*2M		
46	+	P022-001260	1	BOBBIN	DS-3/10		
47	+	P022-003330	1	COVER			
48	+	P022-000710	2	EYELET	T4		

12. U-Gear Case(Sr/Nr 37007948 and before)



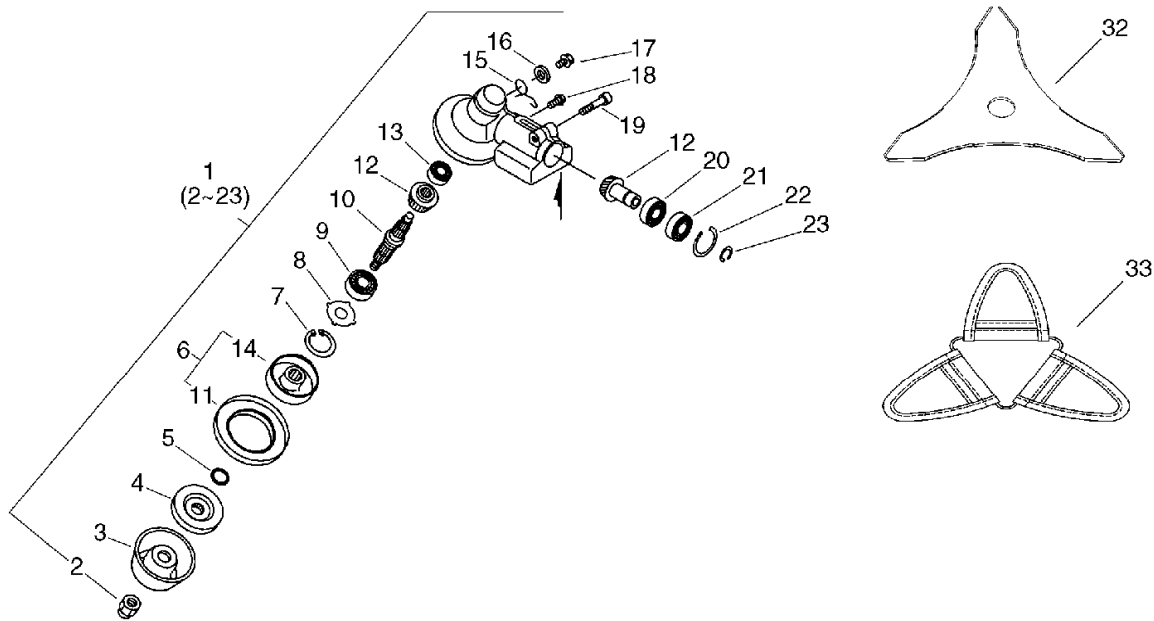
KEY	LV	PART NUMBER	Q'TY	DESCRIPTION	REMARKS	NOTE1	NOTE2
1		P021-012610	1	CASE,GEAR		Sus. by P021-012612	
2	+	610320-52130	1	NUT 10			
3	+	699229-56830	1	PLATE, COVER			
4	+	610314-52130	1	PLATE, ADAPTER (L)			
5	+	900720-00012	1	O-RING 12	P-12		
6	+	C535-000001	1	FIXTURE, BLADE			
11	++	610352-56830	1	PLATE, CUP			
14	++	C535-000011	1	FIXTURE, BLADE			
7	+	900702-00032	1	CIRCLIP 32	CR-32		
8	+	610444-56830	1	WASHER			
9	+	900812-06201	1	BEARING, BALL 6201	6201DDU(LLU)		
10	+	610310-56830	1	SHAFT, P.T.O.		Sus. by 610310-56831	
12	+	610300-40830	1	GEAR SET			
13	+	900810-00626	1	BEARING, BALL 626	626		
15	+	610473-52131	1	SPRING			
16	+	900603-50008	1	WASHER	8.5*18*0.8T		
17	+	610434-50031	1	BOLT 8* 8	M8*8		
18	+	900242-05010	1	SCREW 5*10	5*10		
19	+	91118-06025	1	BOLT			
20	+	900855-06900	1	BEARING, BALL 6900	6900		
21	+	900858-06900	1	BEARING, BALL 6900Z	6900Z		
22	+	900702-00022	1	CIRCLIP 22	CR-22		
23	+	900706-00010	1	CIRCLIP 10	WR-10		

12. U-Gear Case(Sr/Nr 37007948 and before)



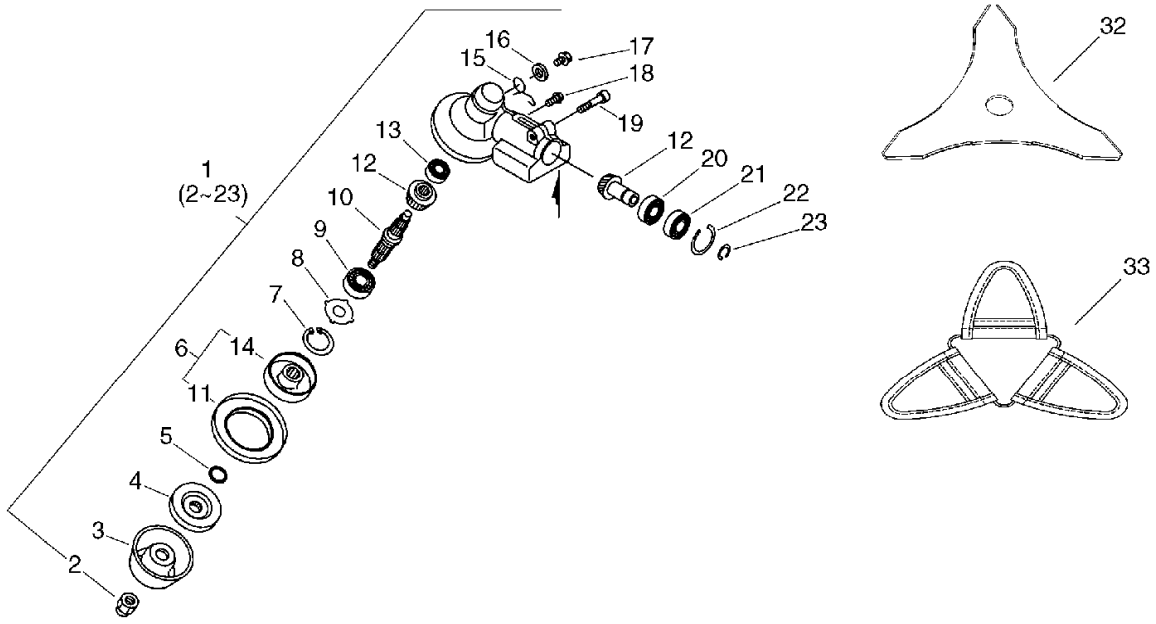
KEY	LV	PART NUMBER	Q'TY	DESCRIPTION	REMARKS	NOTE1	NOTE2
30		X405-000011	1	SAW,BUSH CUTTER	3*230*25.4*T2.0		
31		P021-007470	1	SCABBARD,BLADE		Disuse	

13. U-Gear Case(Sr/Nr 37007949 and after)

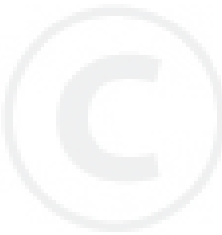


KEY	LV	PART NUMBER	Q'TY	DESCRIPTION	REMARKS	NOTE1	NOTE2
1		P021-012612	1	CASE,GEAR			
2	+	610320-52130	1	NUT 10			
3	+	699229-56830	1	PLATE, COVER			
4	+	610314-52130	1	PLATE, ADAPTER (L)			
5	+	900720-00012	1	O-RING 12	P-12		
6	+	C535-000001	1	FIXTURE,BLADE			
11	++	610352-56830	1	PLATE, CUP			
14	++	C535-000011	1	FIXTURE,BLADE			
7	+	900702-00032	1	CIRCLIP 32	CR-32		
8	+	610444-56830	1	WASHER			
9	+	900812-06201	1	BEARING, BALL 6201	6201DDU(LLU)		
10	+	610310-56831	1	SHAFT, P.T.O.			
12	+	610300-40830	1	GEAR SET			
13	+	900810-00626	1	BEARING, BALL 626	626		
15	+	610473-52131	1	SPRING			
16	+	900603-50008	1	WASHER	8.5*18*0.8T		
17	+	610434-50031	1	BOLT 8* 8	M8*8		
18	+	900242-05010	1	SCREW 5*10	5*10		
19	+	91118-06025	1	BOLT			
20	+	900855-06900	1	BEARING, BALL 6900	6900		
21	+	900858-06900	1	BEARING, BALL 6900Z	6900Z		
22	+	900702-00022	1	CIRCLIP 22	CR-22		
23	+	900706-00010	1	CIRCLIP 10	WR-10		
32		P021-014310	1	SAW,BUSH CUTTER	230*T3.0	Sr/Nr 37007949 and after	

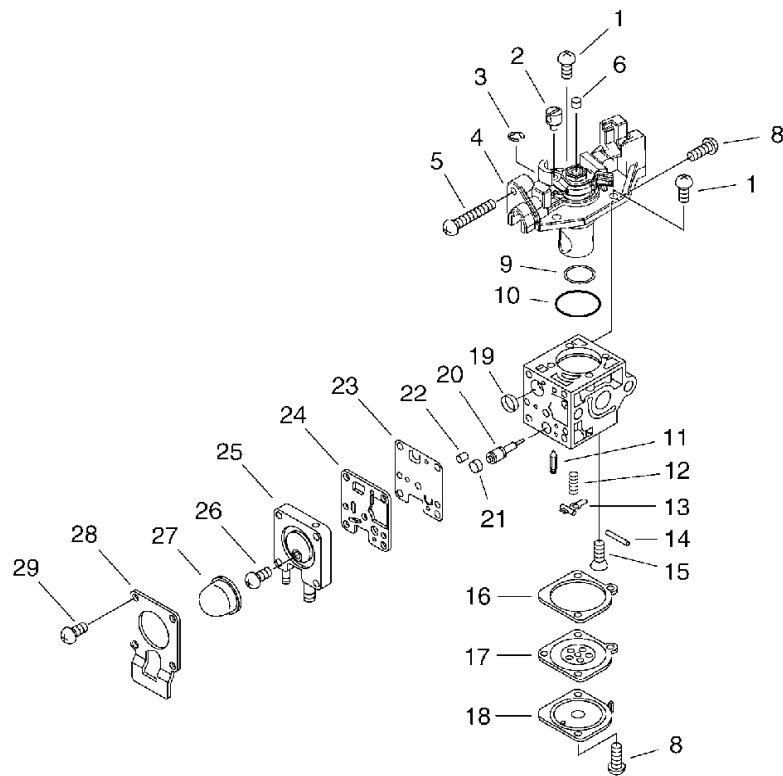
13. U-Gear Case(Sr/Nr 37007949 and after)



KEY	LV	PART NUMBER	Q'TY	DESCRIPTION	REMARKS	NOTE1	NOTE2
33		X495-000250	1	SCABBARD,BLADE	9"/10" 3 CUTTER	Sr/Nr 37007949 and after	

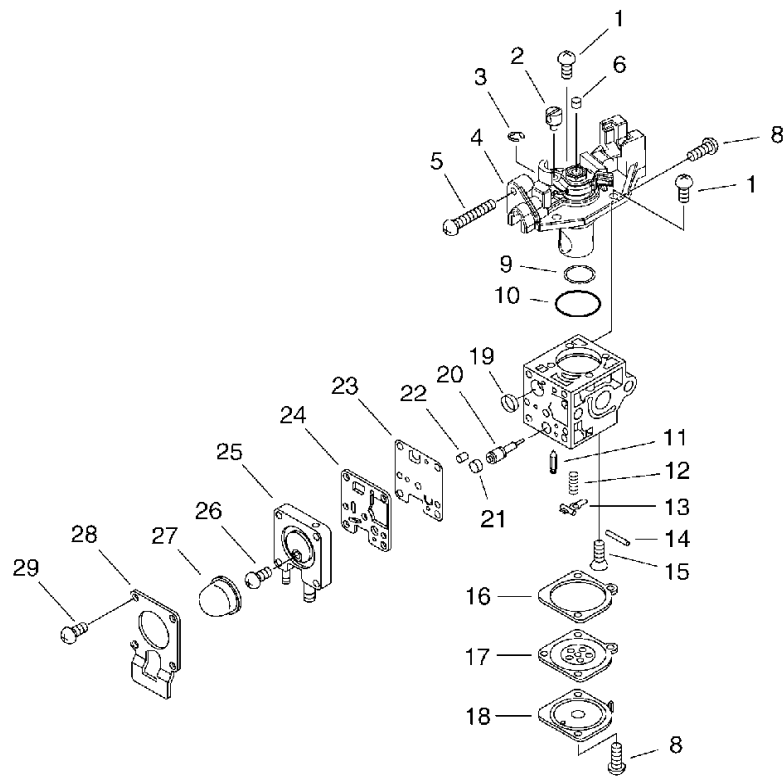


14. Carburettor(Sr/Nr 37007210 and before)



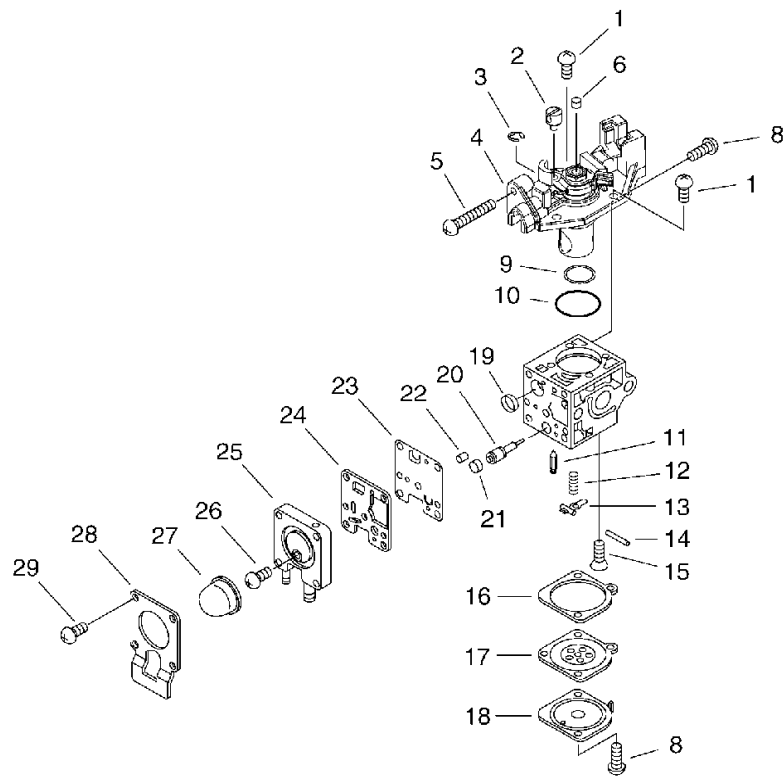
KEY	LV	PART NUMBER	Q'TY	DESCRIPTION	REMARKS	NOTE1	NOTE2
		A021-001460	1	CARBURETOR,DIAPHRAGM	RB-K87	Sr/Nr 37007210 and before	
1	+	125344-13931	3	SCREW			
2	+	P005-001240	1	POST			
3	+	P005-000190	1	E-RING			
4	+	P005-001320	1	COVER ASY, ROTOR			
5	+	P005-000100	1	SCREW,THROTTLEADJUST			
6	+	P005-001270	1	PLUG, H AJUST SCREW			
7	+	C486-000000	1	CABLE, ADJUSTER		Disuse	
8	+	125344-52130	3	SCREW			
9	+	P005-001000	1	ROLLER, GUIDE			
10	+	P005-000280	1	O-RING			
11	+	125337-08260	1	VALVE, INLET NEEDLE			
12	+	P005-000940	1	SPRING, METER. LEVER			
13	+	125323-08260	1	ARM, VALVE			
14	+	125338-13930	1	PIN, METERING ARM			
15	+	125339-42030	1	SCREW			
16	+	P005-000200	1	GASKET, METERING			
17	+	P005-001780	1	DIAPHRAGM			
18	+	125342-52130	1	COVER, DIAPHRAGM			
19	+	P005-000010	1	STRAINER			
20	+	P005-001260	1	SCREW,MAINN MIXTURE			
21	+	P005-001270	1	PLUG, H AJUST SCREW			
22	+	P005-001250	1	RETAINER,PLUG BALL			
23	+	P005-000510	1	DIAPHRAGM, PUMP			
25	+	P005-001890	1	BASE, ASY PRIMER			

14. Carburettor(Sr/Nr 37007210 and before)



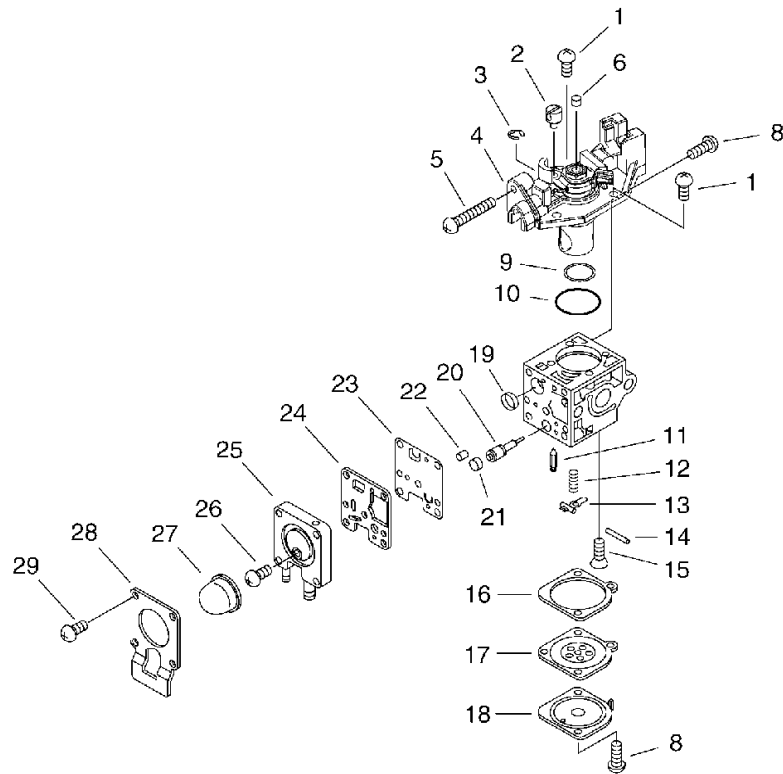
KEY	LV	PART NUMBER	Q'TY	DESCRIPTION	REMARKS	NOTE1	NOTE2
26	+	P005-000270	1	SCREW			
27	+	125381-46730	1	PUMP, PRIMING			
28	+	P005-000250	1	RETAINER			
29	+	P005-001900	4	SCREW			

15. Carburettor(Sr/Nr 37007211 and after)



KEY	LV	PART NUMBER	Q'TY	DESCRIPTION	REMARKS	NOTE1	NOTE2
		A021-001690	1	CARBURETOR,DIAPHRAGM	ZAMA RB-X1746	Sr/Nr 37007211 and after	
1	+	125344-13931	3	SCREW			
2	+	P005-001240	1	POST			
3	+	P005-000190	1	E-RING			
4	+	P005-001320	1	COVER ASY, ROTOR			
5	+	P005-000100	1	SCREW,THROTTLEADJUST			
6	+	P005-001270	1	PLUG, H AJUST SCREW			
8	+	125344-52130	3	SCREW			
9	+	P005-001000	1	ROLLER, GUIDE			
10	+	P005-000280	1	O-RING			
11	+	125337-08260	1	VALVE, INLET NEEDLE			
12	+	P005-000940	1	SPRING, METER. LEVER			
13	+	125323-08260	1	ARM, VALVE			
14	+	125338-13930	1	PIN, METERING ARM			
15	+	125339-42030	1	SCREW			
16	+	P005-000200	1	GASKET, METERING			
17	+	P005-001780	1	DIAPHRAGM			
18	+	125342-52130	1	COVER, DIAPHRAGM			
19	+	P005-000010	1	STRAINER			
20	+	P005-001260	1	SCREW,MAINN MIXTURE			
21	+	P005-001270	1	PLUG, H AJUST SCREW			
22	+	P005-001250	1	RETAINER,PLUG BALL			
23	+	P005-000510	1	DIAPHRAGM, PUMP			
25	+	P005-001890	1	BASE, ASY PRIMER			
26	+	P005-000270	1	SCREW			

15. Carburettor(Sr/Nr 37007211 and after)



KEY	LV	PART NUMBER	Q'TY	DESCRIPTION	REMARKS	NOTE1	NOTE2
27	+	125381-46730	1	PUMP, PRIMING			
28	+	P005-000250	1	RETAINER			
29	+	P005-001900	4	SCREW			

16. Repair Kit

KEY	LV	PART NUMBER	Q'TY	DESCRIPTION	REMARKS	NOTE1	NOTE2
		P005-001660	1	DIAPHRAGM/GASKET KIT			
9-16	+	P005-000200	1	GASKET, METERING			
9-17	+	P005-001780	1	DIAPHRAGM			
9-23	+	P005-000510	1	DIAPHRAGM, PUMP			
9-24	+	P005-000520	1	GASKET, PUMP			
		P005-001670	1	REBUILD KIT			
9-24	+	P005-000520	1	GASKET, PUMP			
9-9	+	P005-001000	1	ROLLER, GUIDE			
9-11	+	125337-08260	1	VALVE, INLET NEEDLE			
9-13	+	125323-08260	1	ARM, VALVE			
9-14	+	125338-13930	1	PIN, METERING ARM			
9-16	+	P005-000200	1	GASKET, METERING			
9-17	+	P005-001780	1	DIAPHRAGM			
9-19	+	P005-000010	1	STRAINER			
9-20	+	P005-000940	1	SPRING, METER. LEVER			
9-23	+	P005-000510	1	DIAPHRAGM, PUMP			
9-24	+	P005-000520	1	GASKET, PUMP			

Index

Patrs Number	Key No.	Patrs Number	Key No.	Patrs Number	Key No.
100013-11520	1 - 10	145862-40630	4 - 20	610206-28230	7 - 32
100014-11520	1 - 12	156112-40630	2 - 13	610206-28230	8 - 28
100015-00120	3 - 4	159011-03432	2 - 11	610206-28230	9 - 28
100015-04630	1 - 11	159012-03433	2 - 10	610281-54130	6 - 5
100204-52132	1 - 13	159112-09961	8 - 13	610281-54130	7 - 5
100212-42031	1 - 14	159112-09961	9 - 13	610300-40830	11 - 12
100215-03930	1 - 15	162010-52830	2 - 16	610300-40830	12 - 12
100215-03930	1 - 27	175000-52734	2 - 6	610300-40830	13 - 12
100242-42030	1 - 18	175018-52131	2 - 14	610310-56830	11 - 10
101503-52131	1 - 25	177200-54130	2 - 26	610310-56830	12 - 10
125323-08260	14 - 13	177202-44331	2 - 20	610310-56831	13 - 10
125323-08260	15 - 13	177218-44330	2 - 24	610313-52132	11 - 14
125323-08260	16 - 9-13	177220-42030	2 - 33	610313-52932	11 - 6
125337-08260	14 - 11	177226-44330	2 - 30	610314-52130	11 - 4
125337-08260	15 - 11	177227-42030	2 - 31	610314-52130	12 - 4
125337-08260	16 - 9-11	177228-06530	2 - 32	610314-52130	13 - 4
125338-13930	14 - 14	177234-12220	2 - 23	610320-52130	11 - 2
125338-13930	15 - 14	177236-44330	2 - 27	610320-52130	12 - 2
125338-13930	16 - 9-14	178013-52630	6 - 28	610320-52130	13 - 2
125339-42030	14 - 15	178013-52630	7 - 28	610352-56830	11 - 11
125339-42030	15 - 15	178043-42230	6 - 24	610352-56830	12 - 11
125342-52130	14 - 18	178043-42230	7 - 24	610352-56830	13 - 11
125342-52130	15 - 18	178090-52632	6 - 27	610434-50031	11 - 17
125344-13931	14 - 1	178090-52632	7 - 27	610434-50031	12 - 17
125344-13931	15 - 1	178121-08550	6 - 35	610434-50031	13 - 17
125344-52130	14 - 8	178121-08550	7 - 35	610444-56830	11 - 8
125344-52130	15 - 8	178121-08550	8 - 30	610444-56830	12 - 8
125381-46730	14 - 27	178121-08550	9 - 30	610444-56830	13 - 8
125381-46730	15 - 27	210417-52730	3 - 16	610473-52131	11 - 15
129011-52730	3 - 12	210417-52730	4 - 16	610473-52131	12 - 15
129011-52730	4 - 12	224924-52130	8 - 14	610473-52131	13 - 15
130010-13410	3 - 9	224924-52130	9 - 14	610910-55230	1 - 37
130010-13410	4 - 9	301000-55231	6 - 33	610922-27432	1 - 41
130010-42032	3 - 5	301000-55231	7 - 33	610923-55230	1 - 40
130010-42032	4 - 5	301200-29430	6 - 15	699012-03330	6 - 14
130017-44330	3 - 7	301200-29430	7 - 15	699012-03330	7 - 14
130017-44331	3 - 7	301207-08930	6 - 12	699013-56830	10 - 15
130017-44331	4 - 7	301207-08930	7 - 12	699229-56830	11 - 3
130310-54130	3 - 14	301305-24330	6 - 34	699229-56830	12 - 3
130310-54130	4 - 14	301305-24330	7 - 34	699229-56830	13 - 3
130313-05863	3 - 15	351201-54130	6 - 2	890152-04930	6 - 9
130313-05863	4 - 15	351201-54130	7 - 2	890152-04930	7 - 9
131016-55830	5 - 17	605014-54230	8 - 23	890152-04930	8 - 32
131205-07320	5 - 10	605014-54230	9 - 23	890152-04930	9 - 32
132012-56030	5 - 6	610018-27830	6 - 7	890332-52730	3 - 17
132013-09820	5 - 9	610018-27830	7 - 7	890332-52730	4 - 17
132112-22031	1 - 43	610018-27830	8 - 29	890617-43130	6 - 1
132115-46730	5 - 8	610018-27830	9 - 29	890617-43130	7 - 1
145862-40630	3 - 20	610206-28230	6 - 32	890617-43130	8 - 27

Index

Patrs Number	Key No.	Patrs Number	Key No.	Patrs Number	Key No.
890617-43130	9 - 27	900502-00006	7 - 38	91121-04008	4 - 27
895112-00330	10 - 2	900502-00006	9 - 37	91367-04010	3 - 23
895610-00130	10 - 1	900518-00006	7 - 37	91367-04010	4 - 23
897518-01131	10 - 4	900518-00006	9 - 36	94035-36201	1 - 16
898510-07130	10 - 6	900565-00005	10 - 12	A011-000101	1 - 3
900100-05018	6 - 13	900565-50008	8 - 20	A021-001460	14 -
900100-05018	7 - 13	900565-50008	9 - 20	A021-001460	3 - 10
900105-05012	8 - 18	900603-00005	5 - 14	A021-001690	15 -
900105-05012	9 - 18	900603-50008	11 - 16	A021-001690	4 - 28
900105-05055	3 - 26	900603-50008	12 - 16	A101-000090	1 - 9
900105-05055	4 - 26	900603-50008	13 - 16	A130-000540	1 - 5
900162-04020	2 - 8	900701-00012	1 - 36	A160-000890	1 - 23
900162-05022	1 - 6	900702-00022	11 - 22	A162-000050	1 - 22
900162-05028	1 - 19	900702-00022	12 - 22	A313-000600	3 - 22
900220-05065	3 - 13	900702-00022	13 - 22	A313-000600	4 - 22
900220-05065	4 - 13	900702-00028	1 - 34	A350-000480	5 - 15
900238-05016	1 - 21	900702-00032	11 - 7	A356-000030	5 - 5
900238-05020	3 - 8	900702-00032	12 - 7	A365-000060	5 - 18
900238-05022	3 - 8	900702-00032	13 - 7	A409-000210	2 - 7
900238-05022	4 - 8	900706-00010	11 - 23	A411-000140	2 - 9
900242-05010	11 - 18	900706-00010	12 - 23	A425-000000	2 - 12
900242-05010	12 - 18	900706-00010	13 - 23	A440-001110	6 - 25
900242-05010	13 - 18	900720-00012	11 - 5	A440-001110	7 - 25
900242-05014	6 - 16	900720-00012	12 - 5	A440-001120	8 - 9
900242-05014	7 - 16	900720-00012	13 - 5	A440-001120	9 - 9
900242-05018	10 - 13	900807-06001	1 - 35	A556-000530	1 - 33
900242-05025	6 - 19	900810-00626	11 - 13	C062-000192	8 - 31
900242-05025	7 - 19	900810-00626	12 - 13	C062-000192	9 - 31
900242-05028	6 - 31	900810-00626	13 - 13	C400-000000	8 - 25
900242-05028	7 - 31	900812-06201	11 - 9	C400-000000	9 - 25
900242-05035	6 - 3	900812-06201	12 - 9	C403-000031	8 - 26
900242-05035	6 - 18	900812-06201	13 - 9	C403-000031	9 - 26
900242-05035	7 - 3	900855-06900	11 - 20	C403-000140	6 - 29
900242-05035	7 - 18	900855-06900	12 - 20	C403-000140	7 - 29
900252-05012	10 - 10	900855-06900	13 - 20	C423-000041	8 - 33
900253-04025	6 - 6	900858-06900	11 - 21	C423-000041	9 - 33
900253-04025	7 - 6	900858-06900	12 - 21	C450-000110	6 - 23
900256-04016	8 - 2	900858-06900	13 - 21	C450-000110	7 - 23
900256-04016	9 - 2	91118-05020	5 - 12	C450-000270	8 - 7
900500-00005	3 - 6	91118-05025	10 - 16	C450-000270	9 - 7
900500-00005	4 - 6	91118-05025	1 - 42	C460-000110	8 - 5
900500-00005	6 - 4	91118-05030	8 - 21	C460-000111	8 - 5
900500-00005	6 - 26	91118-05030	9 - 21	C460-000111	9 - 5
900500-00005	6 - 26	91118-06025	11 - 19	C461-000000	6 - 20
900500-00005	7 - 4	91118-06025	12 - 19	C461-000000	7 - 20
900500-00005	7 - 26	91118-06025	13 - 19	C461-000010	6 - 21
900500-00005	7 - 26	91119-05030	8 - 3	C461-000010	7 - 21
900500-00005	8 - 4	91119-05030	9 - 3	C463-000020	8 - 34
900500-00005	9 - 4	91121-04008	3 - 27	C463-000020	9 - 34

Index

Patrs Number	Key No.	Patrs Number	Key No.	Patrs Number	Key No.
C486-000000	14 - 7	P005-001320	14 - 4	V104-000500	4 - 18
C535-000001	12 - 6	P005-001320	15 - 4	V150-000371	3 - 24
C535-000001	13 - 6	P005-001660	16 -	V150-000371	4 - 24
C535-000011	12 - 14	P005-001670	16 -	V202-000090	1 - 20
C535-000011	13 - 14	P005-001780	14 - 17	V202-000090	1 - 26
C550-000080	10 - 8	P005-001780	15 - 17	V202-000090	2 - 35
C550-000090	10 - 14	P005-001780	16 - 9-17	V299-000110	8 - 24
C550-000100	10 - 11	P005-001780	16 - 9-17	V299-000110	9 - 24
C554-000000	10 - 9	P005-001890	14 - 25	V332-000000	11 - 41
P005-000010	14 - 19	P005-001890	15 - 25	V347-000000	3 - 25
P005-000010	15 - 19	P005-001900	14 - 29	V347-000000	4 - 25
P005-000010	16 - 9-19	P005-001900	15 - 29	V430-001880	6 - 8
P005-000100	14 - 5	P021-002620	10 - 7	V430-002110	8 - 11
P005-000100	15 - 5	P021-002861	10 - 5	V430-002290	7 - 36
P005-000190	14 - 3	P021-004480	3 - 11	V430-002330	9 - 35
P005-000190	15 - 3	P021-004480	4 - 11	V452-000120	6 - 22
P005-000200	14 - 16	P021-005850	6 - 17	V452-000120	7 - 22
P005-000200	15 - 16	P021-005850	7 - 17	V452-000350	8 - 6
P005-000200	16 - 9-16	P021-007470	12 - 31	V452-000350	9 - 6
P005-000200	16 - 9-16	P021-007712	1 - 8	V452-000360	8 - 8
P005-000250	14 - 28	P021-008100	3 - 19	V452-000360	9 - 8
P005-000250	15 - 28	P021-008100	4 - 19	V471-001200	5 - 7
P005-000270	14 - 26	P021-008101	4 - 19	V471-002130	5 - 11
P005-000270	15 - 26	P021-011180	8 - 17	V475-003960	2 - 18
P005-000280	14 - 10	P021-011180	9 - 17	V485-001020	2 - 16
P005-000280	15 - 10	P021-012210	5 - 16	V553-000010	1 - 4
P005-000510	14 - 23	P021-012610	11 - 1	X047-000270	11 - 40
P005-000510	15 - 23	P021-012610	12 - 1	X405-000011	12 - 30
P005-000510	16 - 9-23	P021-012612	13 - 1	X495-000250	13 - 33
P005-000510	16 - 9-23	P021-012820	8 - 19	X502-000330	2 - 36
P005-000520	16 - 9-24	P021-012820	9 - 19	X505-002310	1 - 28
P005-000520	16 - 9-24	P021-014090	8 - 1	X547-001220	1 - 24
P005-000520	16 - 9-24	P021-014090	9 - 1	X602-000020	10 - 3
P005-000940	14 - 12	P021-014310	13 - 32		
P005-000940	15 - 12	P021-014530	1 - 39		
P005-000940	16 - 9-20	P021-014550	6 - 30		
P005-001000	14 - 9	P021-014550	7 - 30		
P005-001000	15 - 9	P022-000710	11 - 48		
P005-001000	16 - 9-9	P022-001220	11 - 43		
P005-001240	14 - 2	P022-001250	11 - 44		
P005-001240	15 - 2	P022-001260	11 - 46		
P005-001250	14 - 22	P022-003310	11 - 42		
P005-001250	15 - 22	P022-003330	11 - 47		
P005-001260	14 - 20	P022-006190	11 - 45		
P005-001260	15 - 20	P022-006210	2 - 29		
P005-001270	14 - 6	V100-000160	1 - 7		
P005-001270	14 - 21	V104-000360	3 - 21		
P005-001270	15 - 6	V104-000360	4 - 21		
P005-001270	15 - 21	V104-000500	3 - 18		

YAMABIKO CORPORATION

7-2 SUEHIROCHO 1-CHOME, OHME, TOKYO 198-8760, JAPAN
PHONE: 81-428-32-6118. FAX: 81-428-32-6145.

ECHO[®]



(37)
No.