



PARTS CATALOG

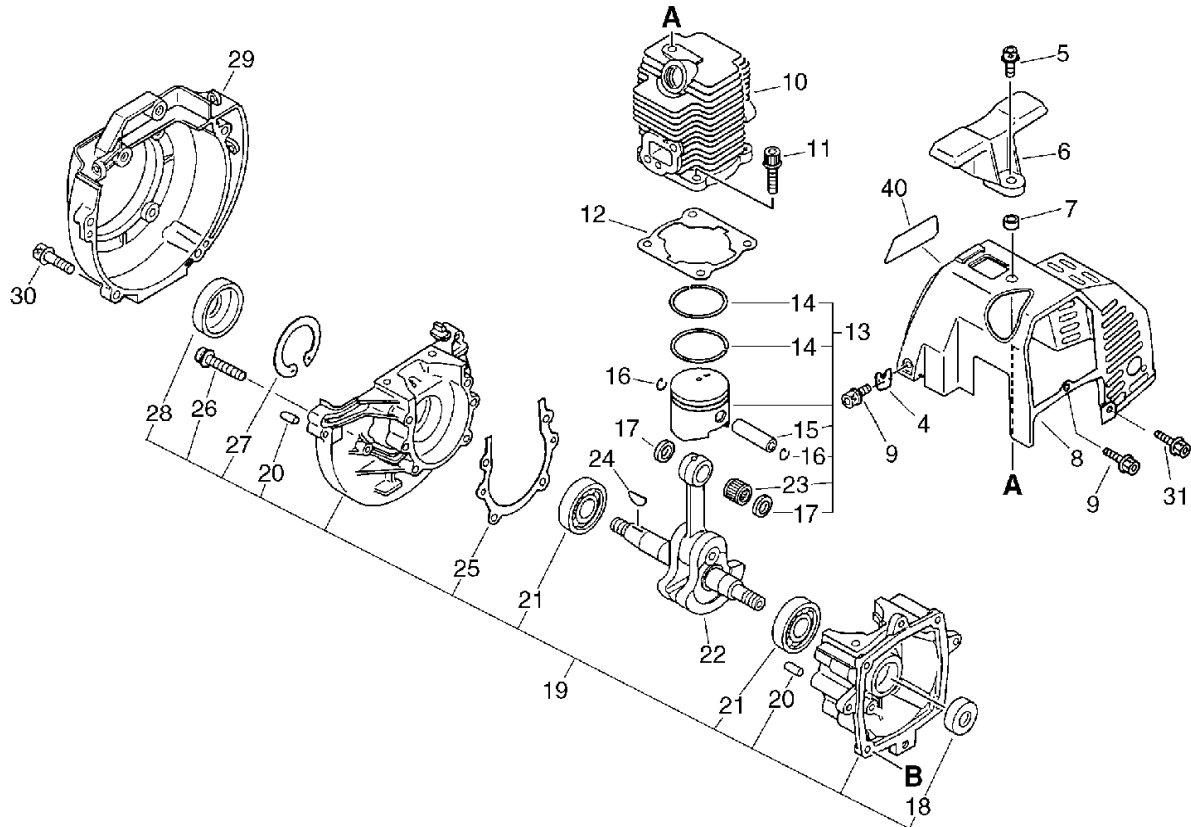
GRASS-TRIMMER / BRUSHCUTTER

SRM-3550

SRM-3550

1. Cylinder, Crankcase, Piston, Fan Cover

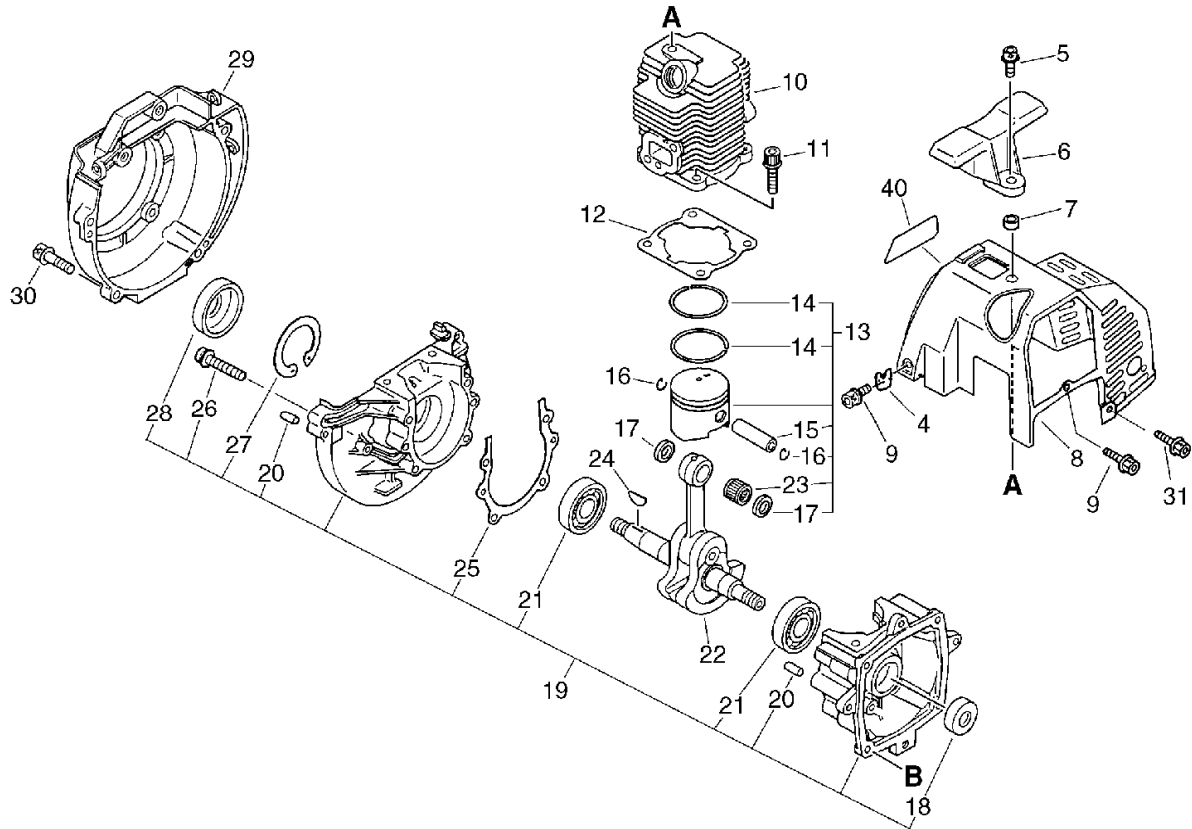
No.1



KEY	LV	PART NUMBER	Q'TY	DESCRIPTION	REMARKS	NOTE1	NOTE2
4		178121-52930	1	HOLDER, CABLE			
5		900162-05025	1	BOLT, H.S. 5*25	5*25 W,SW		
6		159905-46430	1	GUARD, TOP			
7		159906-46430	1	COLLAR	6.2*12*8		
8		101506-46431	1	COVER, CYLINDER			
9		900162-05014	3	BOLT, H.S. 5*14	5*14 W,SW		
10		101011-46431	1	CYLINDER			
11		900162-05020	4	BOLT, H.S. 5*20	5*20 W,SW		
12		101010-46431	1	GASKET, CYL. BASE			
13		100000-53630	1	PISTON KIT		Sus. by 100000-53631	
13		100000-53631	1	PISTON KIT			
14	+	100011-46430	2	RING, PISTON			
15	+	100013-27430	1	PIN, PISTON			
16	+	100015-03930	2	CIRCLIP, PISTON PIN		Sus. by 100015-03931	
16	+	100015-03931	2	CIRCLIP, PISTON PIN			
17	+	100014-53630	2	SPACER, PISTON PIN			
23	+	100012-16131	1	BEARING, NEEDLE			
19		100204-46430	1	CRANKCASE KIT			
18	+	100213-05530	1	OILSEAL	ISCD 12 22 7		
20	+	100215-02830	4	PIN, DOWEL			
21	+	900810-36201	2	BEARING, BALL 6201	6201/C3	Sus. by 94035-36201	
21	+	94035-36201	2	BEARING BALL	6201X3JR2C3		
25	+	100242-46430	1	GASKET, CRANKCASE			

1. Cylinder, Crankcase, Piston, Fan Cover

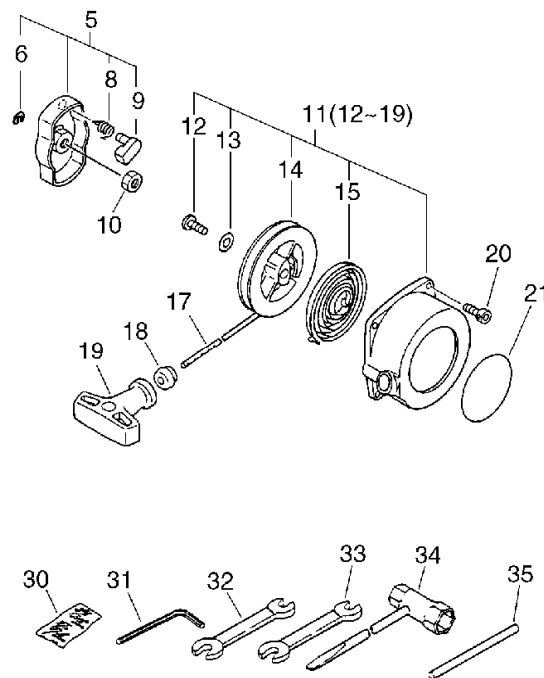
No.1



KEY	LV	PART NUMBER	Q'TY	DESCRIPTION	REMARKS	NOTE1	NOTE2
26	+	900242-05030	4	SCREW 5*30	5*30		
27	+	900702-00032	1	CIRCLIP 32	CR-32		
28	+	100212-03930	1	OILSEAL	ISCX12*32*5.5		
22		100100-53630	1	CRANKSHAFT ASSY			
24		100142-12330	1	KEY, WOODRUFF			
29		101511-46431	1	COVER, FAN			
30		900162-05020	4	BOLT, H.S. 5*20	5*20 W,SW		
31		900162-04012	1	BOLT, H.S. 4*12	4*12 W,SW		
40		890115-52930	1	LABEL, MODEL			

2. Starter, Tools

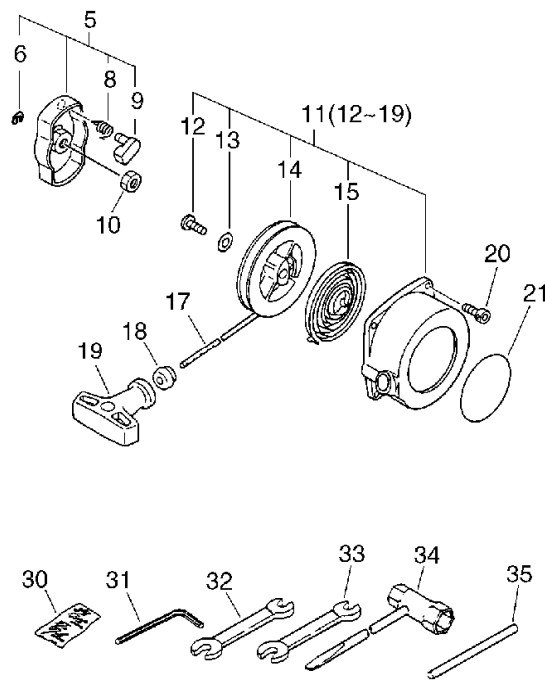
No.2



KEY	LV	PART NUMBER	Q'TY	DESCRIPTION	REMARKS	NOTE1	NOTE2
5		177202-41030	1	PAWL ASSY, STARTER			
6	+	900700-00004	1	E-RING 4	CE-4		
8	+	177234-40630	1	SPRING, RETURN			
9	+	177218-40630	1	PAWL, STARTER	WHITE		
10		900502-00008	1	NUT 8 (3N)	3N8		
11		177200-46430	1	STARTER ASSY		Sus. by 177200-46431	
11		177200-46431	1	STARTER ASSY			
12	+	177236-40630	1	SCREW			
13	+	177214-41030	1	WASHER			
14	+	177215-43130	1	DRUM, STARTER			
15	+	177220-40630	1	SPRING, REWIND			
17	+	177226-01110	1	ROPE, STARTER	4.0*880		
18	+	177227-42030	1	GUIDE, ROPE			
19	+	177228-11120	1	GRIP, STARTER		Sus. by 177228-27030	
19	+	177228-27030	1	GRIP, STARTER			
20		900162-04014	4	BOLT, H.S. 4*14	4*14 W,SW		
21		890118-49330	1	LABEL, ECHO			
30		898502-01130	1	PIN 2*22 (W/POUCH)			
31		895610-00130	1	L-WRENCH (4MM)			
32		895123-03830	1	SPANNER 10*13			
33		895112-00330	1	SPANNER 8*10			
34		895410-08030	1	WRENCH, W/S. DRIVER		Sus. by X602-000020	
34		X602-000020	1	TOOL,WRENCH	17*19 L200		

2. Starter, Tools

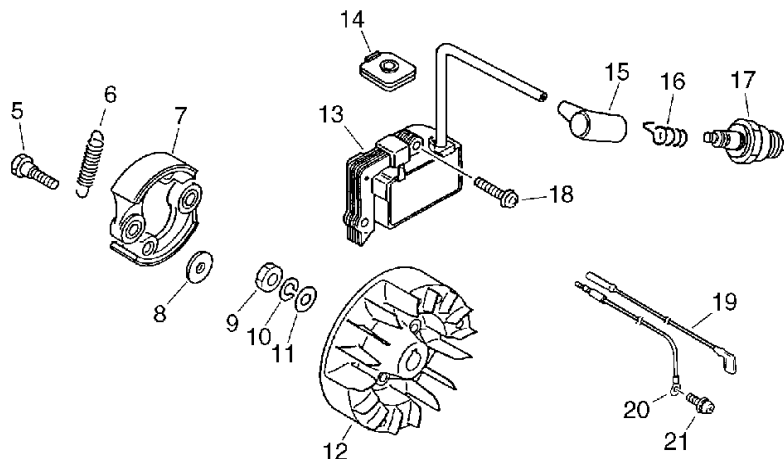
No.2



KEY	LV	PART NUMBER	Q'TY	DESCRIPTION	REMARKS	NOTE1	NOTE2
35		897518-01131	1	LOCKING TOOL			

3. Magneto, Clutch

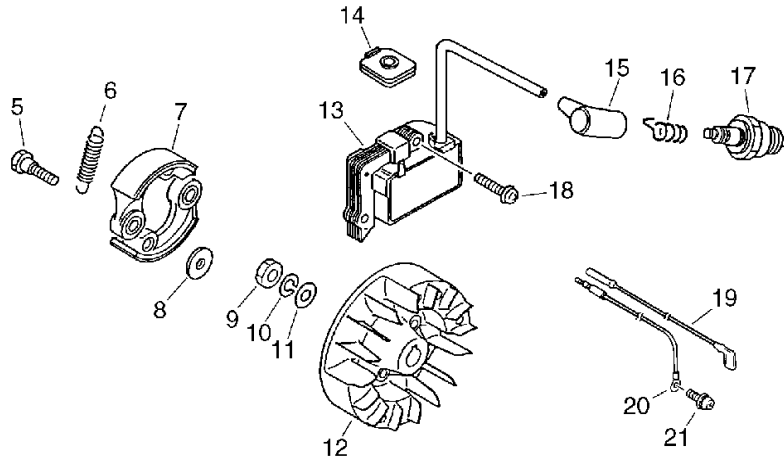
No.3



KEY	LV	PART NUMBER	Q'TY	DESCRIPTION	REMARKS	NOTE1	NOTE2
5		175046-46430	2	BOLT, CLUTCH			
6		175018-49930	1	SPRING, CLUTCH		Sus. by 175018-49932	
6		175018-27932	1	SPRING, CLUTCH		Sus. by 175018-49932	
6		175018-49931	1	SPRING, CLUTCH		Sus. by 175018-49932	
6		175018-49932	1	SPRING, CLUTCH			
7		175009-49930	2	SHOE, CLUTCH		Sus. by A553-000000	
7		175009-46431	2	SHOE, CLUTCH		Sus. by A553-000000	
7		A553-000000	2	ARM,CLUTCH			
8		175048-05530	2	WASHER (I)	6.2*19*1.0		
9		900502-00008	1	NUT 8 (3N)	3N8		
10		900605-00008	1	WASHER, SPRING 8	8		
11		900600-00008	1	WASHER 8	8		
12		156801-52930	1	FLYWHEEL			
13		156601-46430	1	C.D.IGNITION MODULE			
14		152112-46430	1	BUSHING			
15		159012-03433	1	CAP, SPARK PLUG			
16		159011-03432	1	COIL, SPARK PLUG			
17		159010-10230	1	PLUG, SPARK (BPMR-7A)	BPMR-7A		
18		900242-05020	2	SCREW 5*20	5*20		
19		162010-52930	1	LEAD, GROUND			
20		162014-52930	1	LEAD, GROUND			

3. Magneto, Clutch

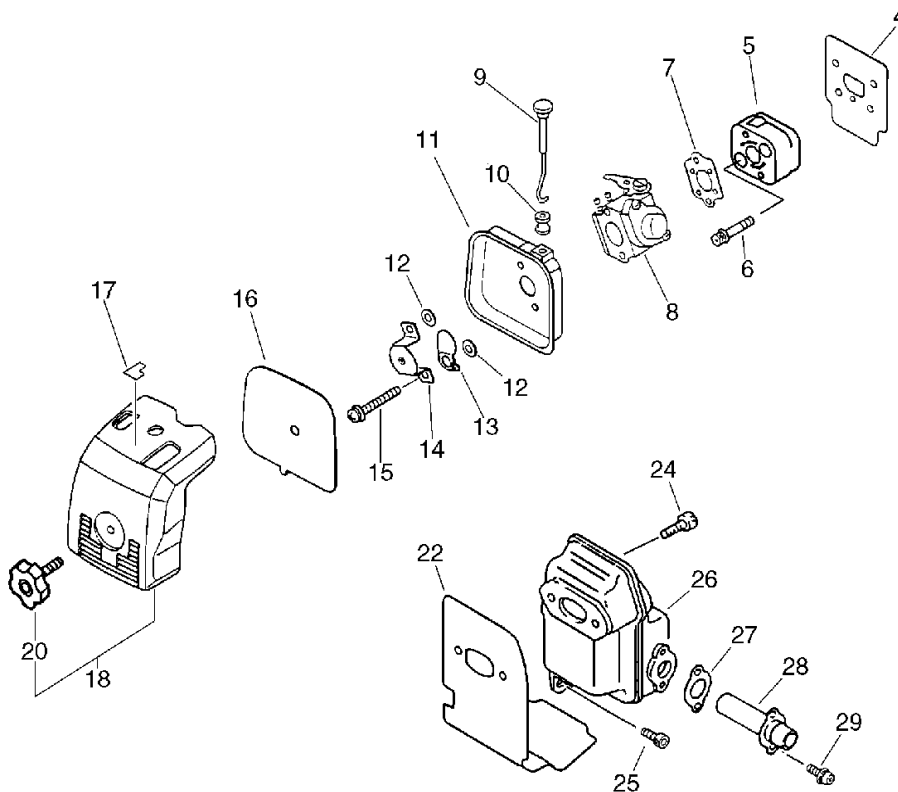
No.3



KEY	LV	PART NUMBER	Q'TY	DESCRIPTION	REMARKS	NOTE1	NOTE2
21		900242-05010	1	SCREW 5*10	5*10		

4. Air Cleaner, Muffler

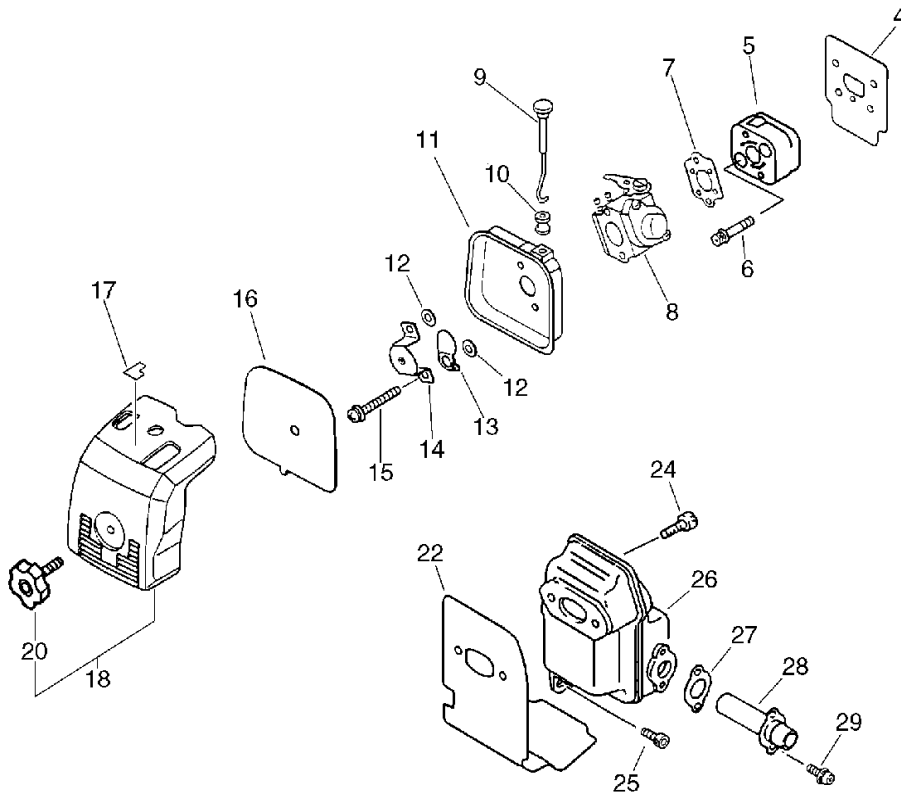
No.4



KEY	LV	PART NUMBER	Q'TY	DESCRIPTION	REMARKS	NOTE1	NOTE2
4		130010-46431	1	GASKET			
5		130007-52930	1	INSULATOR			
6		900162-05025	2	BOLT, H.S. 5*25	5*25 W,SW		
7		130016-42031	1	GASKET, INTAKE			
8		125200-52930	1	CARBURETOR ASSY	C1U-K30A	Sus. by 125200-52932	
8		125200-52931	1	CARBURETOR	C1U-K30A	Sus. by 125200-52932	
8		125200-52932	1	CARBURETOR C1U-K30A	C1U-K30A		
9		178510-51730	1	ROD, CHOKE			
10		178810-05230	1	GROMMET			
11		130314-51730	1	CASE, CLEANER			
12		178516-00830	2	SPACER	5.2*8*0.8T		
13		178515-05060	1	SHUTTER, CHOKE			
14		129011-51730	1	PLATE			
15		900238-05050	2	SCREW 5*50	5*50		
16		130310-51730	1	FILTER, AIR			
17		890121-47530	1	LABEL, CHOKE			
18		130302-52130	1	COVER ASSY, AIR CLN.		Sus. by 130302-52131	
18		130302-52131	1	COVER ASY, A.CLEANER			
20	+	130406-52130	1	KNOB, FASTENER		Sus. by 130406-52131	
20	+	130406-52131	1	KNOB, FASTENER			
22		145910-46431	1	INSULATOR, MUFFLER			
24		900105-05016	2	BOLT, H.S. 5*16	5*16		

4. Air Cleaner, Muffler

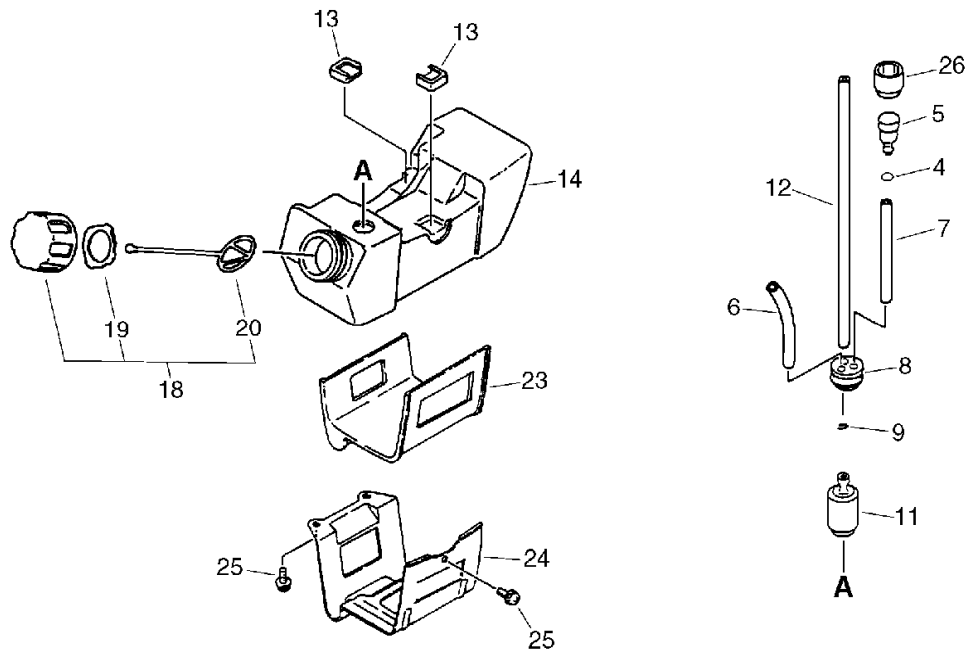
No.4



KEY	LV	PART NUMBER	Q'TY	DESCRIPTION	REMARKS	NOTE1	NOTE2
25		900162-05014	1	BOLT, H.S. 5*14	5*14 W,SW		
26		145610-46430	1	MUFFLER			
27		145618-46431	1	GASKET, MUFFLER			
28		145619-52930	1	GUIDE, EXH.			
29		900242-04014	2	SCREW 4*14	4*14		

5. Fuel Tank

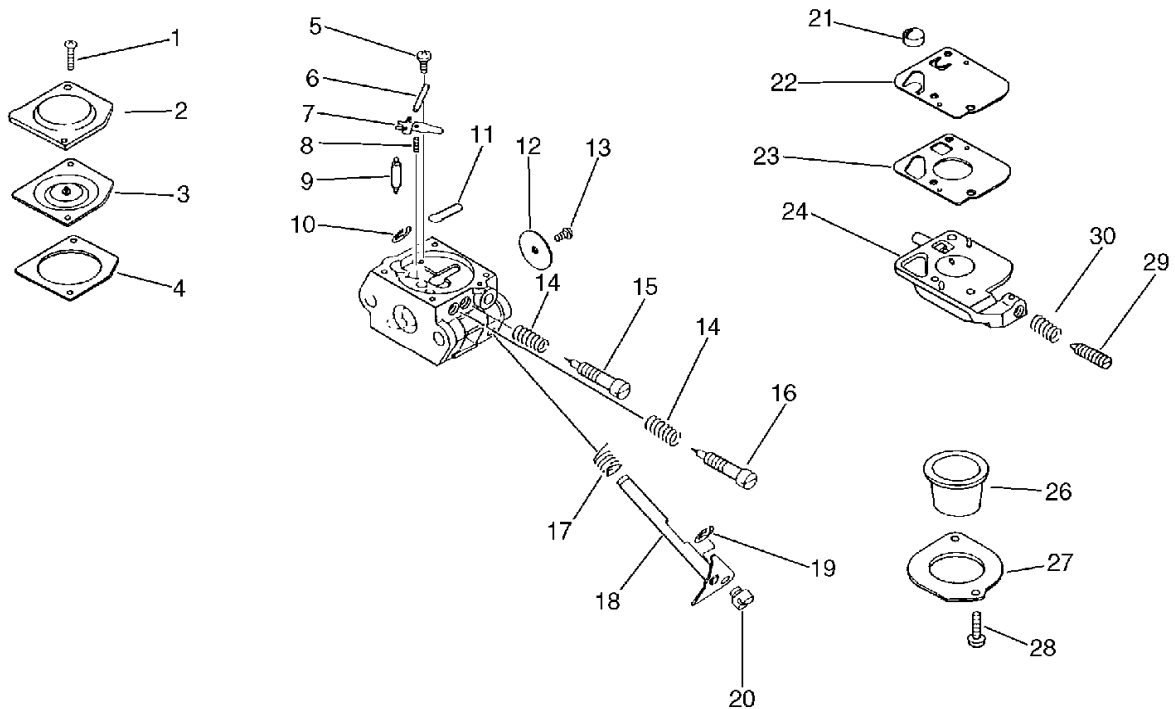
No.5



KEY	LV	PART NUMBER	Q'TY	DESCRIPTION	REMARKS	NOTE1	NOTE2
4		130111-00530	1	CLIP	5.5		
5		131300-56430	1	VALVE, CHECK			
6		132010-56330	1	PIPE 3*6*90	3*6*90 YL		
7		132010-51230	1	PIPE	3*5*60 NBR		
8		132115-46730	1	GROMMET, FUEL			
9		132013-09820	1	CLIP	6MM		
11		131205-19830	1	STRAINER, FUEL			
12		132010-13930	1	PIPE, FUEL	3*5*180L NBR	Sus. by V471-001190	
12		V471-001190	1	PIPE	3*5*180 NBR		
13		131923-11120	3	CUSHION			
14		131010-52930	1	TANK, FUEL			
18		131004-08960	1	CAP ASSY, FUEL			
19	+	131016-55830	1	GASKET, FUEL CAP			
20	+	131051-52430	1	CONNECTOR, CAP	80L		
23		131920-52930	1	CUSHION, FUEL TANK			
24		131910-52930	1	BRACKET, FUEL TANK			
25		900162-05012	3	BOLT, H.S. 5*12	5*12 W,SW		
26		131328-40630	1	COVER, VENT			

6. Carburetor

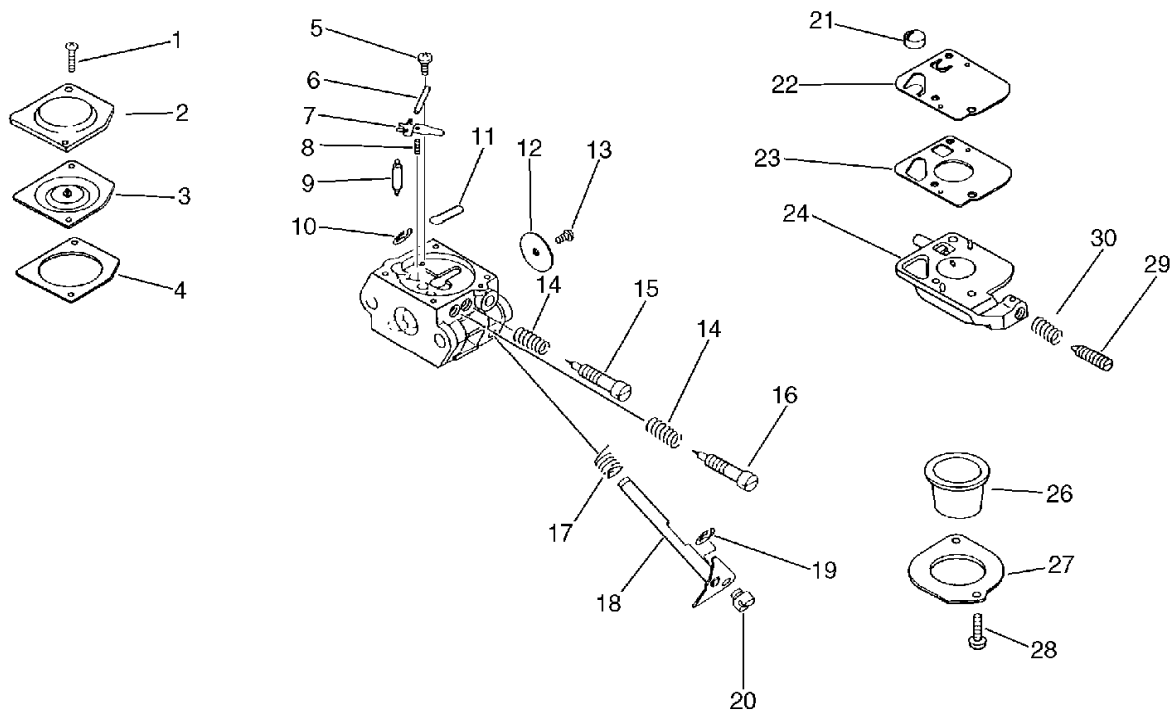
No.6



KEY	LV	PART NUMBER	Q'TY	DESCRIPTION	REMARKS	NOTE1	NOTE2
		125200-52930	1	CARBURETOR ASSY	C1U-K30A	Sus. by 125200-52932	
		125200-52931	1	CARBURETOR	C1U-K30A	Sus. by 125200-52932	
		125200-52932	1	CARBURETOR C1U-K30A	C1U-K30A		
1	+	125344-13931	2	SCREW			
2	+	125342-13210	1	COVER, DIAPHRAGM			
3	+	125341-42030	1	DIAPHRAGM			
4	+	125340-51030	1	GASKET, DIAPHRAGM			
5	+	125339-42030	1	SCREW			
6	+	125338-13930	1	PIN, METERING ARM			
7	+	125323-42030	1	LEVER, METERING			
8	+	125322-42030	1	SPRING, COIL			
9	+	125337-06960	1	VALVE, INLET NEEDLE			
10	+	125327-15130	1	CLIP			
11	+	125345-51030	1	PLUG, WELCH			
12	+	125316-52930	1	VALVE, THROTTLE			
13	+	125314-51230	1	SCREW	3*4.5		
14	+	125319-42030	2	SPRING, COIL			
15	+	125318-51330	1	NEEDLE, IDLE			
16	+	125320-52930	1	NEEDLE, HIGH SPEED			
17	+	125313-42030	1	SPRING, THRT. RETURN			
18	+	125317-42030	1	SHAFT, THROTTLE			
19	+	125327-13930	1	CLIP			
20	+	125372-42030	1	SWIVEL			
21	+	125326-42030	1	STRAINER			

6. Carburetor

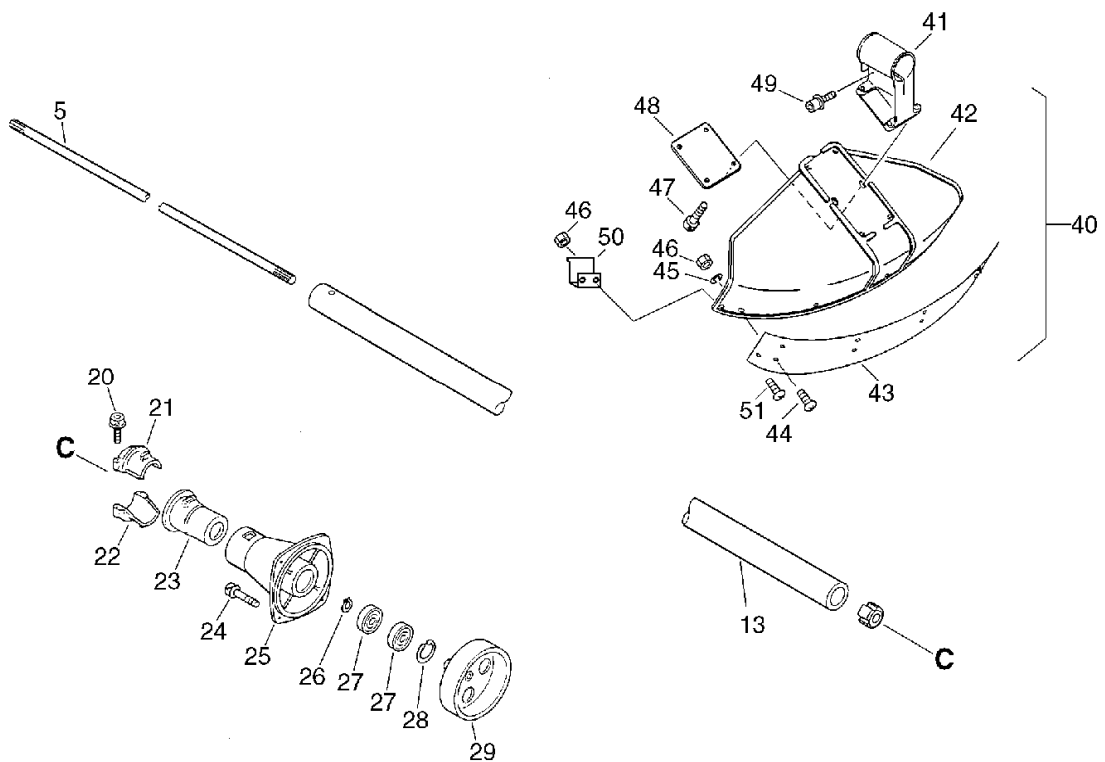
No.6



KEY	LV	PART NUMBER	Q'TY	DESCRIPTION	REMARKS	NOTE1	NOTE2
22	+	125312-12820	1	DIAPHRAGM, FUEL PUMP			
23	+	125325-13310	1	GASKET, PUMP			
24	+	125383-13310	1	BASE, PRIMER		Sus. by P005-000990	
24	+	P005-000990	1	BASE, PRIMER			
26	+	125381-08660	1	PUMP, PRIMING			
27	+	125363-11610	1	RING			
28	+	125310-11610	2	SCREW			
29	+	125344-08560	1	SCREW			
30	+	125333-08560	1	SPRING, ADJUST SCREW			

7. Shield

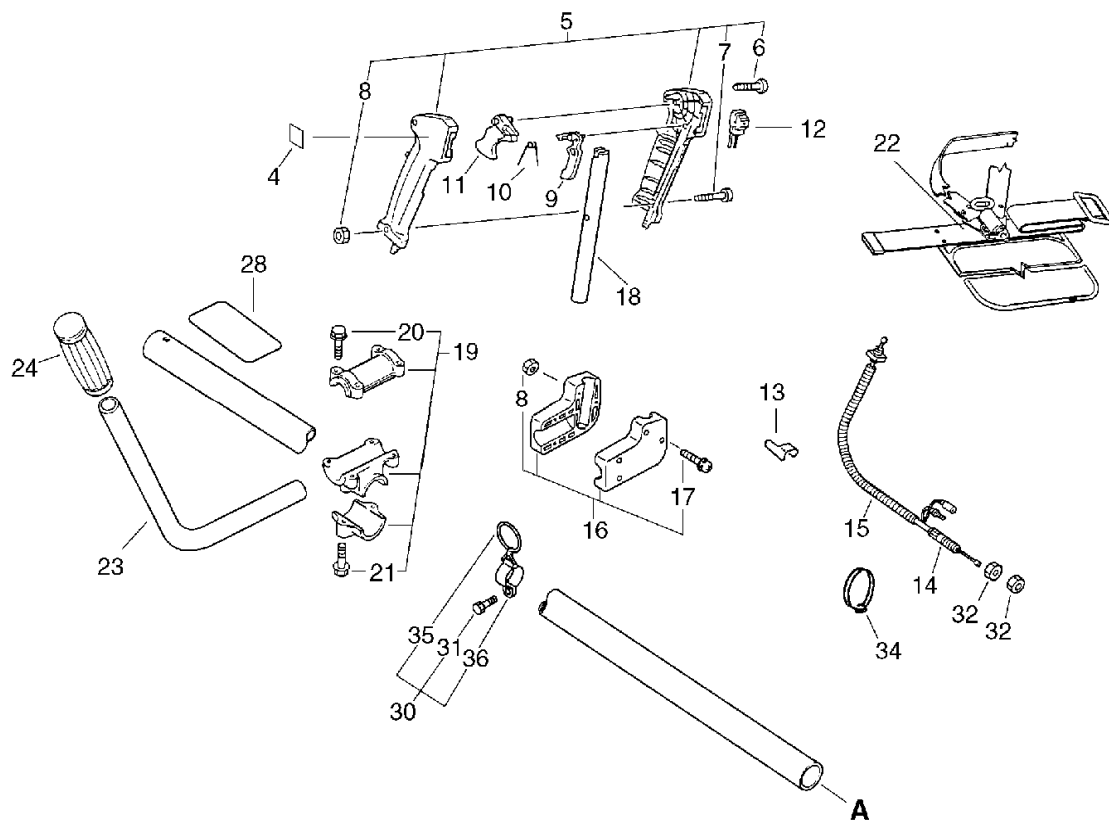
No.7



KEY	LV	PART NUMBER	Q'TY	DESCRIPTION	REMARKS	NOTE1	NOTE2
5		610011-06230	1	SHAFT, DRIVE			
13		610206-52930	1	HOUSING ASSY, D.SHFT			
20		900162-05025	2	BOLT, H.S. 5*25	5*25 W,SW		
21		610922-40430	1	HOLDER			
22		610923-40430	1	HOLDER			
23		610910-40430	1	CUSHION			
24		900162-05016	4	BOLT, H.S. 5*16	5*16 W,SW		
25		610205-46430	1	CASE, FLANGE			
26		900701-00012	1	CIRCLIP 12	CS-12		
27		900807-06001	2	BEARING, BALL 6001	6001V(LB)		
28		900702-00028	1	CIRCLIP 28	CR-28		
29		175005-49930	1	DRUM, CLUTCH			
40		699001-50430	1	SHIELD ASSY			
41	+	699011-43130	1	BRACKET, SHIELD			
42	+	699010-54430	1	SHIELD, BLADE			
43	+	699013-52130	1	PLATE, SHIELD			
44	+	900242-05018	4	SCREW 5*18	5*18		
45	+	900603-00005	4	WASHER 5	5.5*12*0.8		
46	+	900500-00005	6	NUT 5	5		
47	+	900242-05014	4	SCREW 5*14	5*14		
48	+	699015-52130	1	PLATE, SHIELD			
49	+	900142-05025	2	BOLT 5*25 (W/W,SW)	5*25		
50	+	699016-54530	1	KNIFE			
51	+	900242-05012	2	SCREW 5*12	5*12		

8. U-Handle

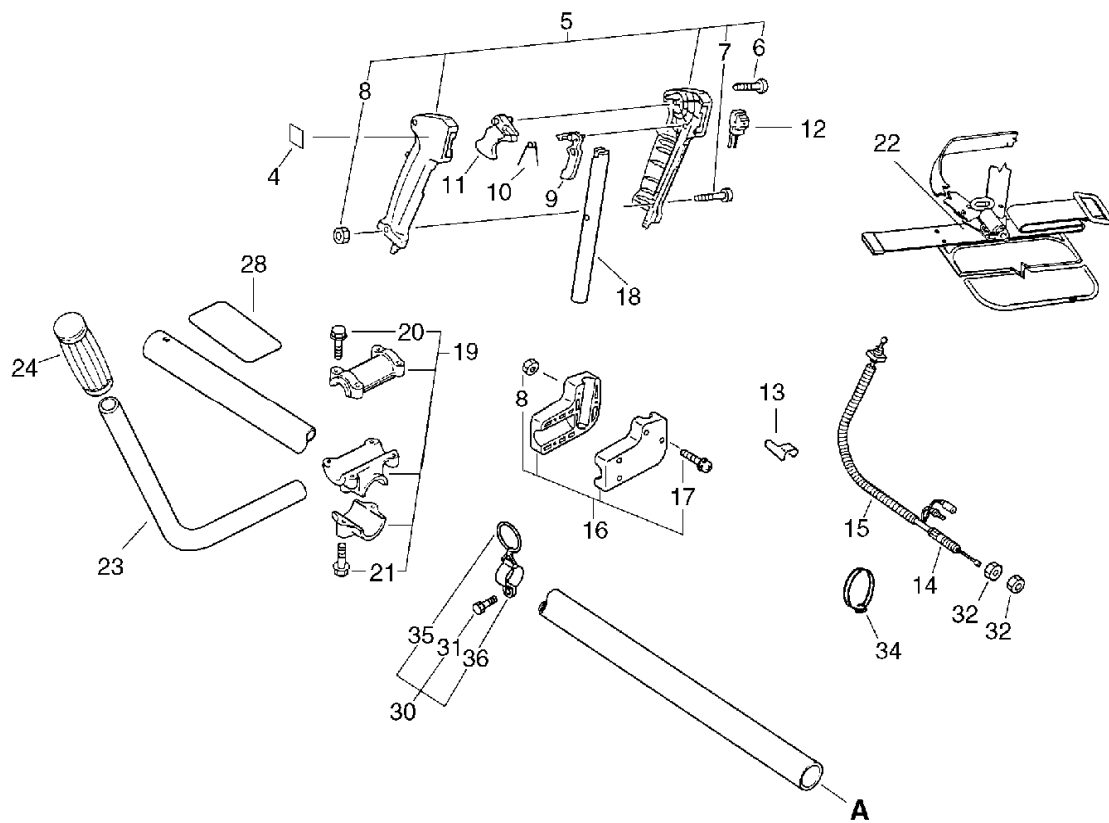
No.8



KEY	LV	PART NUMBER	Q'TY	DESCRIPTION	REMARKS	NOTE1	NOTE2
4		890157-39130	1	LABEL, SWITCH		Diuse	
5		351102-47530	1	GRIP ASSY, F-HANDLE			
6	+	900246-03025	4	SCREW 3*25	3*25		
7	+	900220-05030	1	SCREW 5*30	5*30		
8	+	900500-00005	1	NUT 5	5		
9		178012-05960	1	LOCKOUT, THROTTLE			
10		178013-35631	1	SPRING, THR. LOCK			
11		178010-05960	1	CONTROL, THROTTLE			
12		163400-48030	1	SWITCH, IGNITION			
13		178111-04930	1	CLIP			
14		178001-47530	1	WIRE, THROTTLE			
15		178127-47530	1	TUBE	7*10*760		
16		351202-51430	1	BRACKET ASSY, HANDLE			
8	+	900500-00005	4	NUT 5	5		
17	+	900162-05020	4	BOLT, H.S. 5*20	5*20 W,SW		
18		351210-52430	1	HANDLE, FRONT			
19		351301-04130	1	BRACKET ASS'Y, HNDL.			
20	+	900142-05025	4	BOLT 5*25 (W/W,SW)	5*25		
21	+	900142-06030	2	BOLT 6*30 (W/W,SW)	6*30		
22		301001-52130	1	HARNESS, SHOULDER			
23		351110-52430	1	HANDLE, FRONT			
24		351311-22430	1	GRIP, HANDLE			
28		890617-46830	1	LABEL, CAUTION		Sus. by 890617-43130	
28		890617-43130	1	LABEL, CAUTION			
30		301200-05230	1	HOOK ASS'Y			

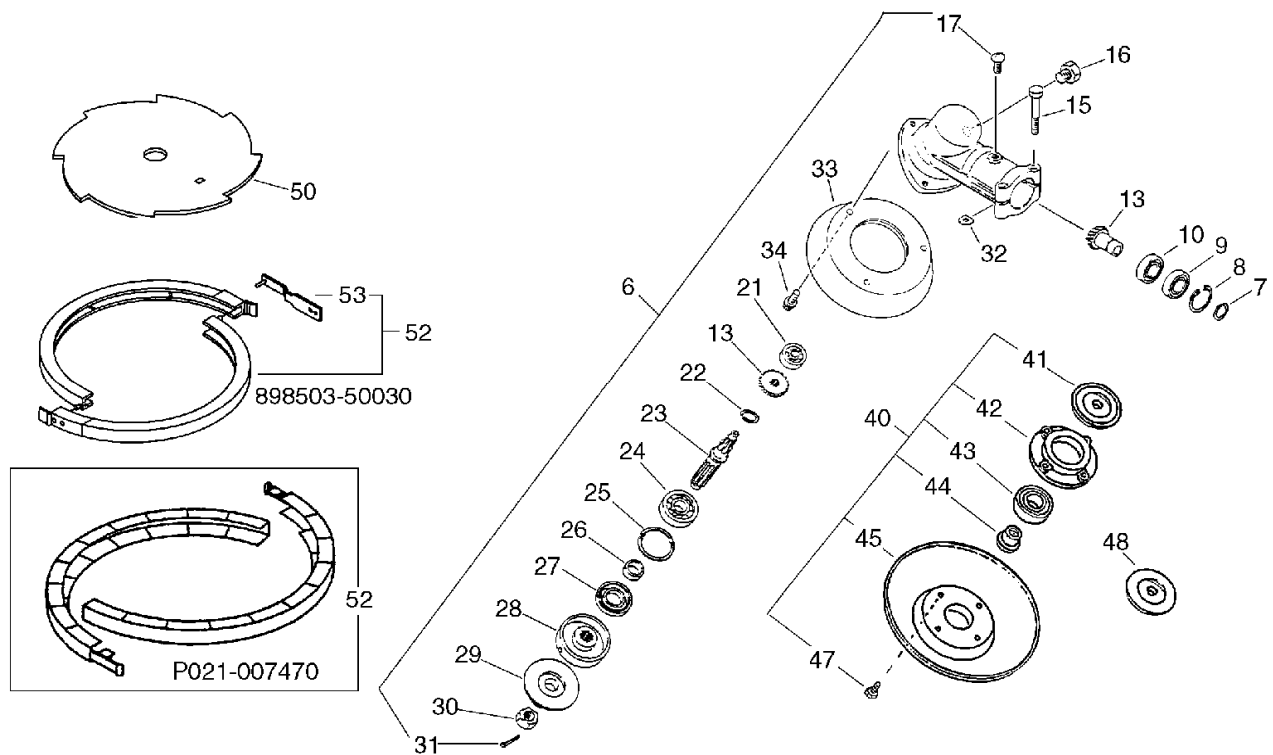
8. U-Handle

No.8



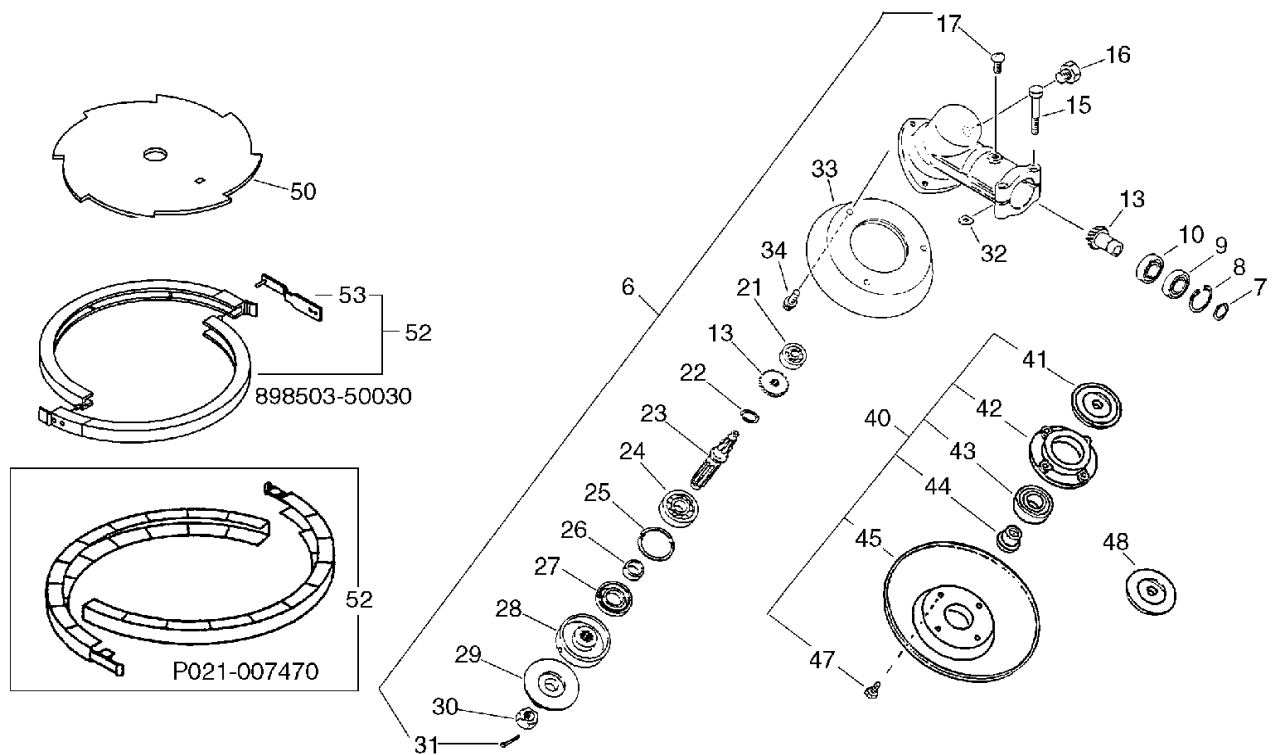
KEY	LV	PART NUMBER	Q'TY	DESCRIPTION	REMARKS	NOTE1	NOTE2
31	+	900100-05012	1	BOLT 5*12	5*12		
35	+	301015-05330	1	HOOK, BAND			
36	+	301210-04630	1	HOOK			
32		900502-00006	2	NUT 6 (3N)	3N6		
34		178121-43230	1	BAND	CV-150 BL		

9. Gear Case(U-Handle Type), Blade No.9



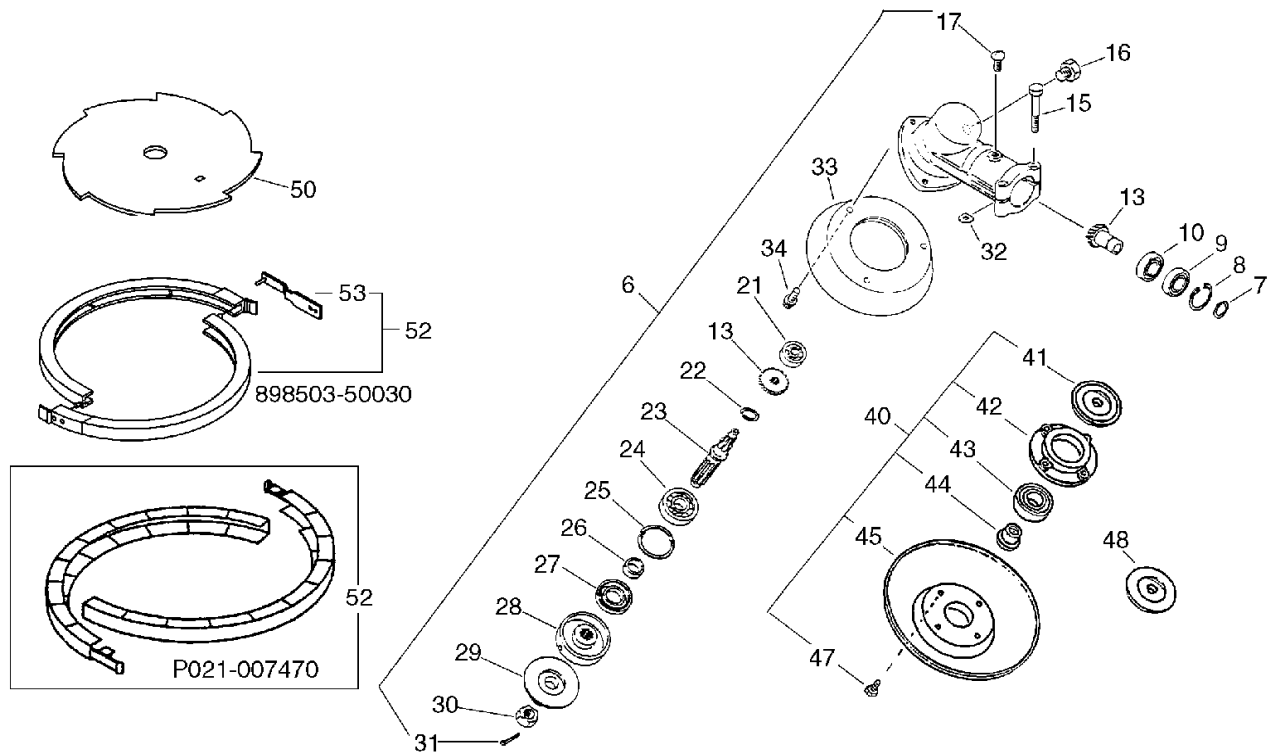
KEY	LV	PART NUMBER	Q'TY	DESCRIPTION	REMARKS	NOTE1	NOTE2
6		610400-40430	1	HOUSING ASSY, GEAR		Sus. by 610400-40433	
6		610400-40431	1	CASE ASY, GEAR		Sus. by 610400-40433	
6		610400-40433	1	CASE ASY, GEAR			
7	+	900701-00012	1	CIRCLIP 12	CS-12		
8	+	900702-00028	1	CIRCLIP 28	CR-28		
9	+	900807-06001	1	BEARING, BALL 6001	6001V(LB)		
10	+	900800-06001	1	BEARING, BALL 6001	6001		
13	+	610300-40430	1	GEAR SET			
15	+	900142-05030	2	BOLT 5*30 (W/W,SW)	5*30		
16	+	610434-50030	1	BOLT 8* 6		Sus. by 610434-50031	
16	+	610434-50031	1	BOLT 8* 8	M8*8		
17	+	900242-05010	1	SCREW 5*10	5*10		
21	+	900800-36000	1	BEARING, BALL 6000	6000/C3		
22	+	900706-00012	1	CIRCLIP 12	WR-12		
23	+	610310-07130	1	SHAFT, P.T.O.			
24	+	900810-06201	1	BEARING, BALL 6201	6201		
25	+	900702-00032	1	CIRCLIP 32	CR-32		
26	+	610315-07130	1	SPACER			
27	+	610413-07130	1	OILSEAL			
28	+	610313-07130	1	PLATE, ADAPTER (U)	PD 25.4	Sus. by 610313-07132	
28	+	610313-07131	1	PLATE, ADAPTER (U)	PD 25.4	Sus. by 610313-07132	

9. Gear Case(U-Handle Type), Blade No.9



KEY	LV	PART NUMBER	Q'TY	DESCRIPTION	REMARKS	NOTE1	NOTE2
28	+	610313-07132	1	PLATE, ADAPTER (U)			
29	+	610314-07130	1	PLATE, ADAPTER (L)			
30	+	900511-00010	1	NUT 10 (L-H)	10*P1.25		
31	+	900300-20022	1	PIN, SPLIT 2*22	2*22		
32	+	610239-04130	2	WASHER, SHIM			
33	+	610443-21232	1	PLATE, GUARD		Sus. by C536-000030	
33	+	C536-000030	1	COVER, GEAR CASE			
34	+	900242-05020	3	SCREW 5*20	5*20		
40		699200-07131	1	CUP ASSY, FREE			
41	+	610333-07130	1	PLATE, ADAPTER (L)			
42	+	699226-05430	1	HOLDER, BEARING			
43	+	900814-06202	1	BEARING, BALL 6202	6202ZZ		
44	+	699227-04630	1	NUT			
45	+	699228-08930	1	PLATE, COVER			
47	+	900141-05012	4	BOLT 5*12	5*12		
48		610336-07131	1	PLATE, ADAPTER (L)			
50		696001-55630	1	BLADE, 8-CUTTER 10IN		Sus. by 696001-55631	
50		696001-55631	1	BLADE, 8-CUTTER 10IN	255*8T*1.4 PD25		
52		898503-50030	1	SCABBARD KIT, BLADE		Sus. by P021-007470	
52		P021-007470	1	SCABBARD, BLADE			

9. Gear Case(U-Handle Type), Blade No.9



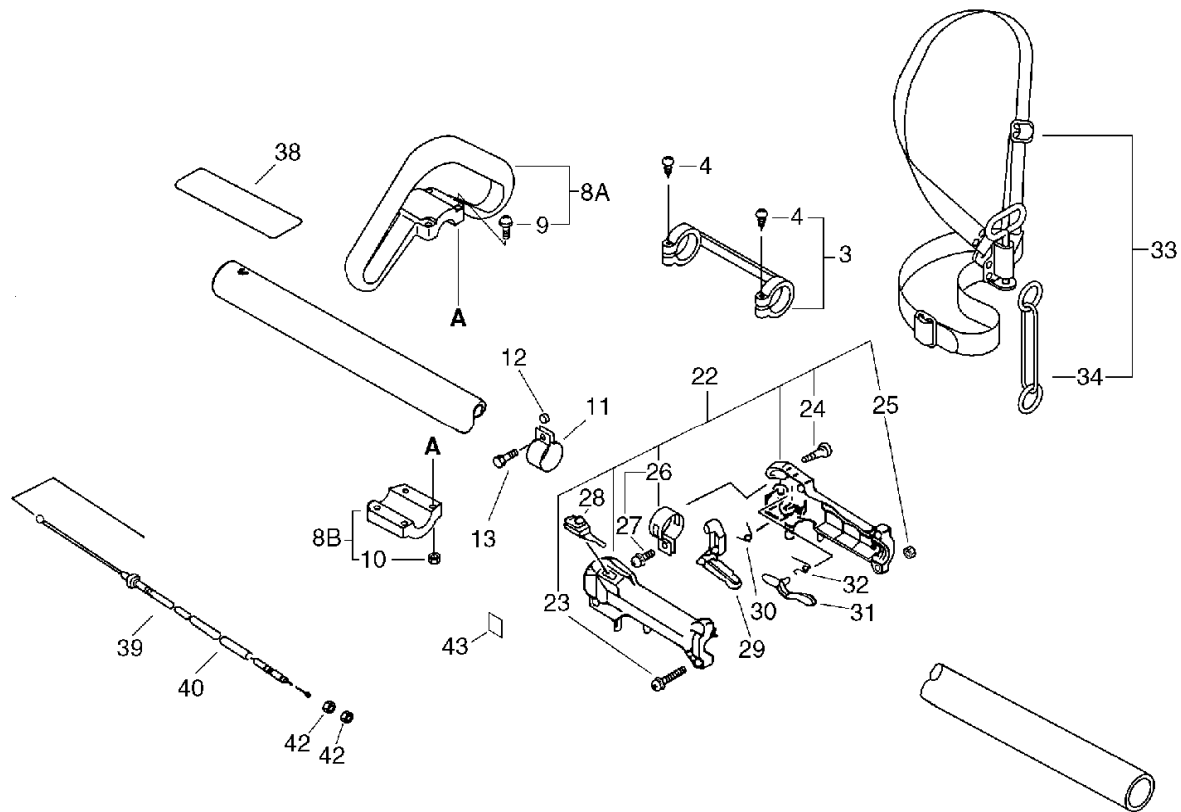
KEY	LV	PART NUMBER	Q'TY	DESCRIPTION	REMARKS	NOTE1	NOTE2
-----	----	-------------	------	-------------	---------	-------	-------

53	+	898562-43230	1	FIXTURE, SCABBARD			
----	---	--------------	---	-------------------	--	--	--

Can be used on
898503-50030 only

10. Loop Handle

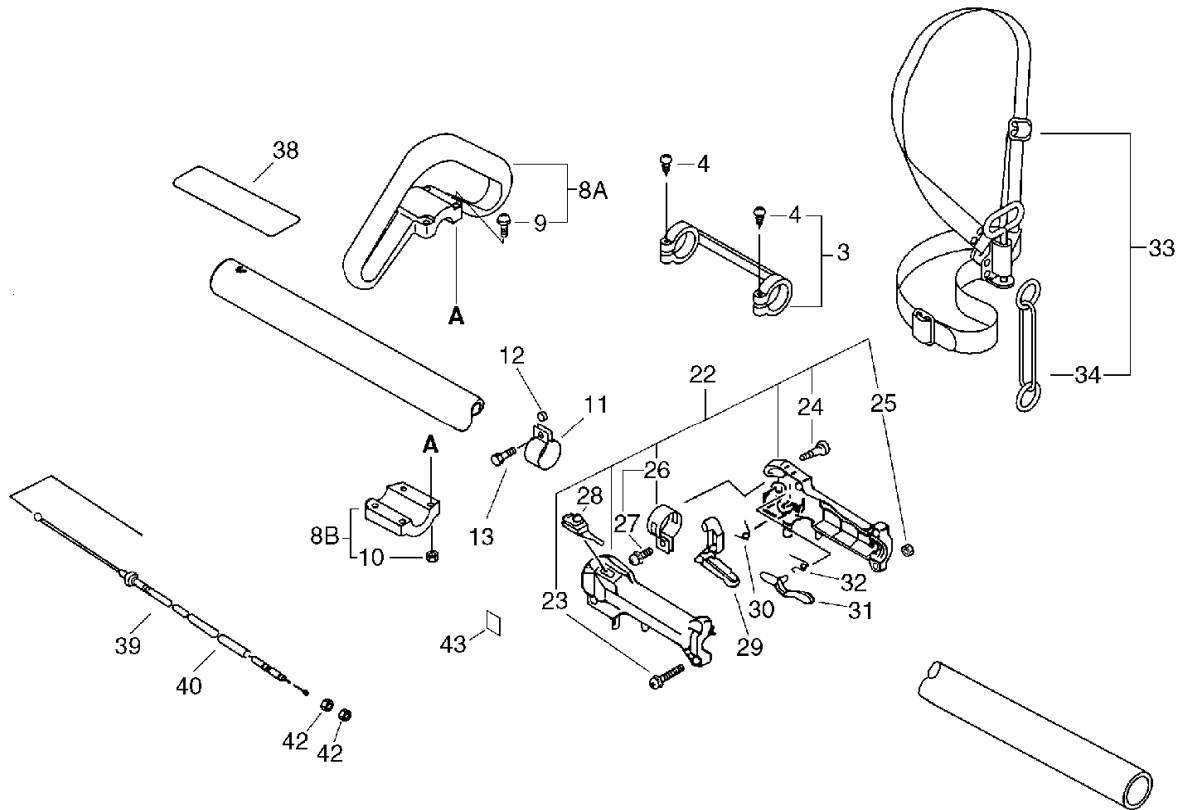
No.10



KEY	LV	PART NUMBER	Q'TY	DESCRIPTION	REMARKS	NOTE1	NOTE2
3		610281-42230	1	COLLER			
4	+	900253-04025	2	SCREW 4*25	4*25		
8		351201-06930	1	HANDLE ASSY, LOOP			
9	+	900242-05035	4	SCREW 5*35	5*35		
10	+	900500-00005	4	NUT 5	5		
11		301207-07530	1	HOOK			
12		699012-03330	1	SPACER			
13		900100-05018	1	BOLT 5*18	5*18		
22		351102-42230	1	GRIP ASSY, F-HANDLE			
23	+	900238-05025	1	SCREW 5*25	5*25		
24	+	900253-04018	3	SCREW TAPPING 4*18	4*18		
25	+	900500-00005	1	NUT 5	5		
26	+	301200-42230	1	HOOK ASSY			
27	++	900238-05012	1	SCREW 5*12	5*12		
28		163400-52430	1	SWITCH, IGNITION			
29		178010-42232	1	CONTROL, THROTTLE			
30		178043-42230	1	SPRING, THR. RETURN			
31		178012-42230	1	LOCKOUT, THROTTLE			
32		178013-42230	1	SPRING, THR. LOCKOUT			
33		301000-55230	1	HARNESS ASSY		Sus. by 301000-55231	
33		301000-55231	1	HARNESS ASY, SHOULDER			
34	+	301305-24330	1	LINK			
38		890177-46730	1	LABEL, CAUTION		Sus. by 890617-43130	

10. Loop Handle

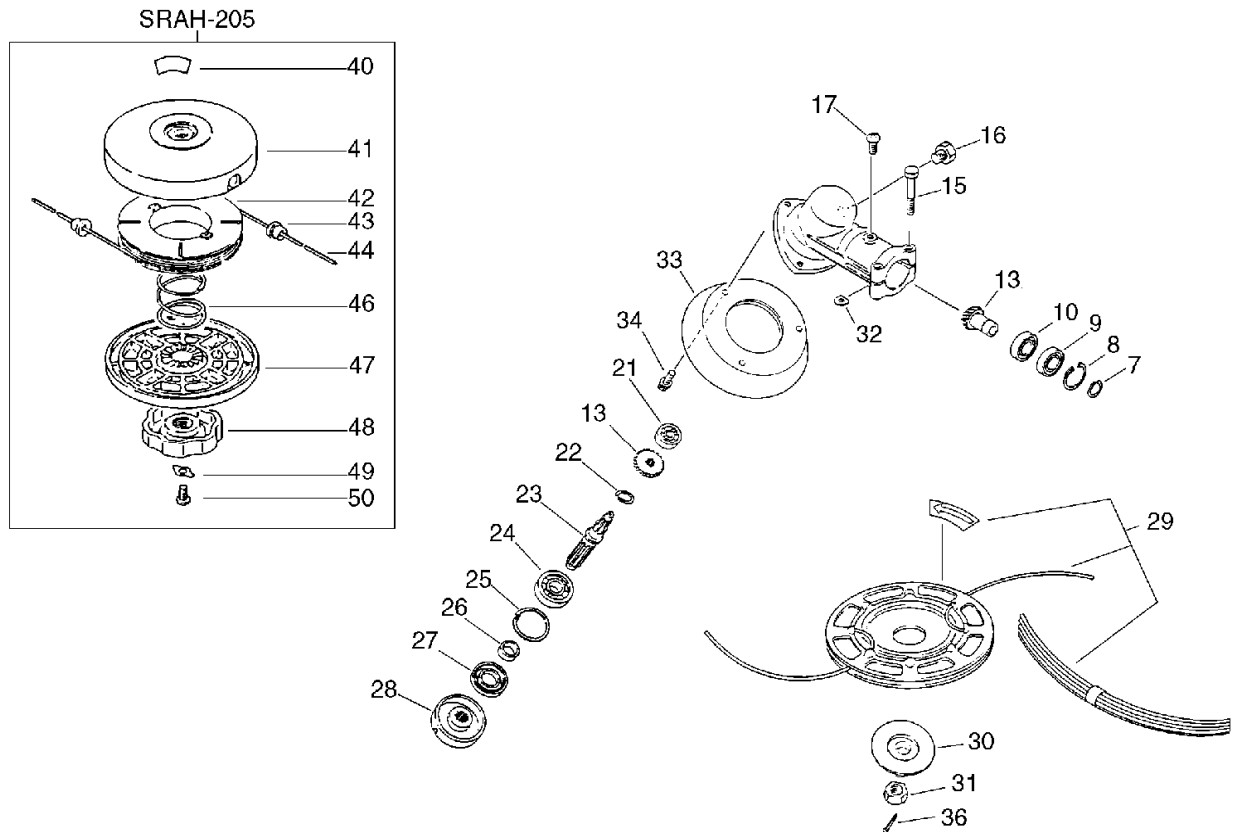
No.10



KEY	LV	PART NUMBER	Q'TY	DESCRIPTION	REMARKS	NOTE1	NOTE2
38		890617-63630	1	LABEL,CAUTION		Sus. by 890617-43130	
38		X505-000140	1	LABEL,CAUTION		Sus. by 890617-43130	
38		890617-43130	1	LABEL,CAUTION			
39		178001-52430	1	WIRE, THROTTLE			
40		178127-24030	1	TUBE	10*11*160		
42		900502-00006	2	NUT 6 (3N)	3N6		
43		890157-39130	1	LABEL, SWITCH			

11. Gear Case(Loop Handle Type), Nylon Line Cutting Head

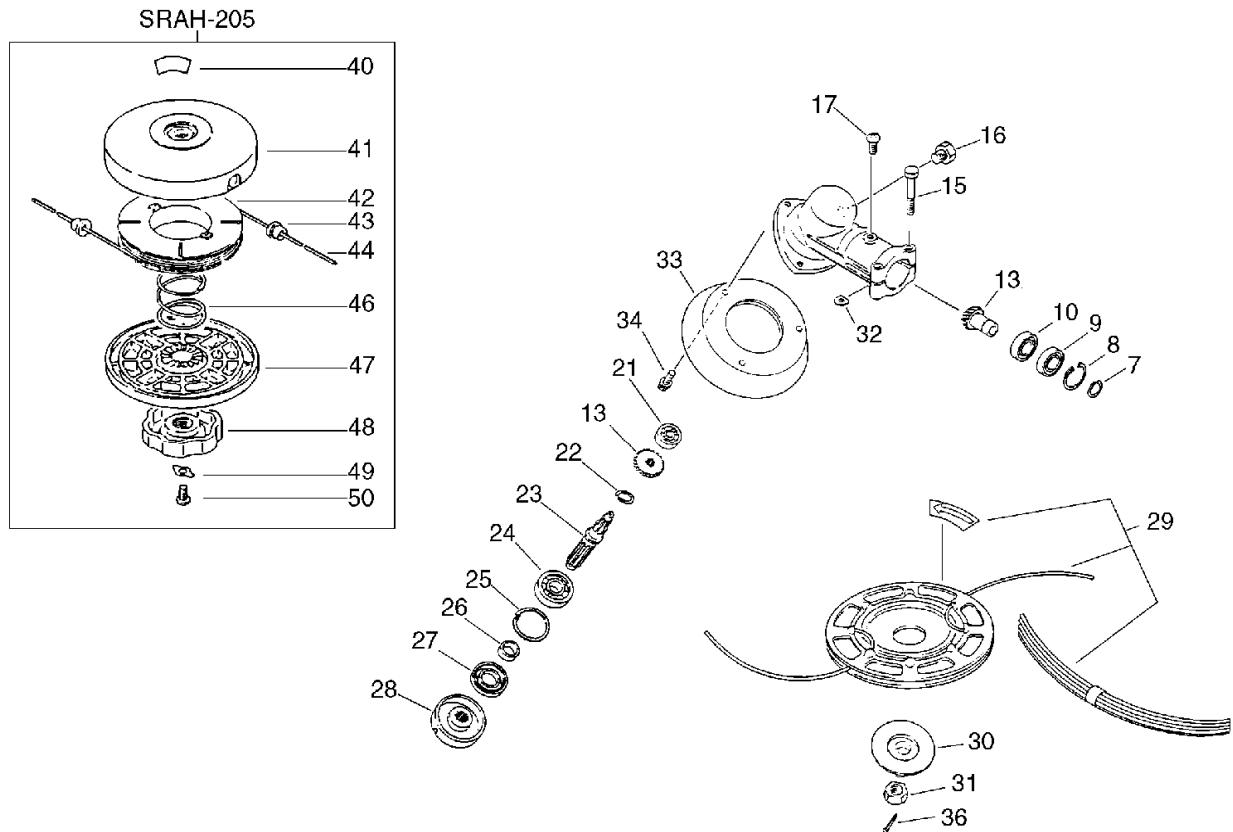
No.11



KEY	LV	PART NUMBER	Q'TY	DESCRIPTION	REMARKS	NOTE1	NOTE2
7		900701-00012	1	CIRCLIP 12	CS-12		
8		900702-00028	1	CIRCLIP 28	CR-28		
9		900807-06001	1	BEARING, BALL 6001	6001V(LB)		
10		900800-06001	1	BEARING, BALL 6001	6001		
13		610300-40430	1	GEAR SET			
15		900142-05030	2	BOLT 5*30 (W/W,SW)	5*30		
16		610434-50030	1	BOLT 8* 6		Sus. by 610434-50031	
16		610434-50031	1	BOLT 8* 8	M8*8		
17		900242-05010	1	SCREW 5*10	5*10		
21		900800-36000	1	BEARING, BALL 6000	6000/C3		
22		900706-00012	1	CIRCLIP 12	WR-12		
23		610310-07130	1	SHAFT, P.T.O.			
24		900810-06201	1	BEARING, BALL 6201	6201		
25		900702-00032	1	CIRCLIP 32	CR-32		
26		610315-07130	1	SPACER			
27		610413-07130	1	OILSEAL			
28		610313-47731	1	PLATE, ADAPTER (U)		D. shaft Sr/Nr 008506 and before	
28		610313-07130	1	PLATE, ADAPTER (U)	PD 25.4	Sus. by 610313-07132	
28		610313-07131	1	PLATE, ADAPTER (U)	PD 25.4	Sus. by 610313-07132	

11. Gear Case(Loop Handle Type), Nylon Line Cutting Head

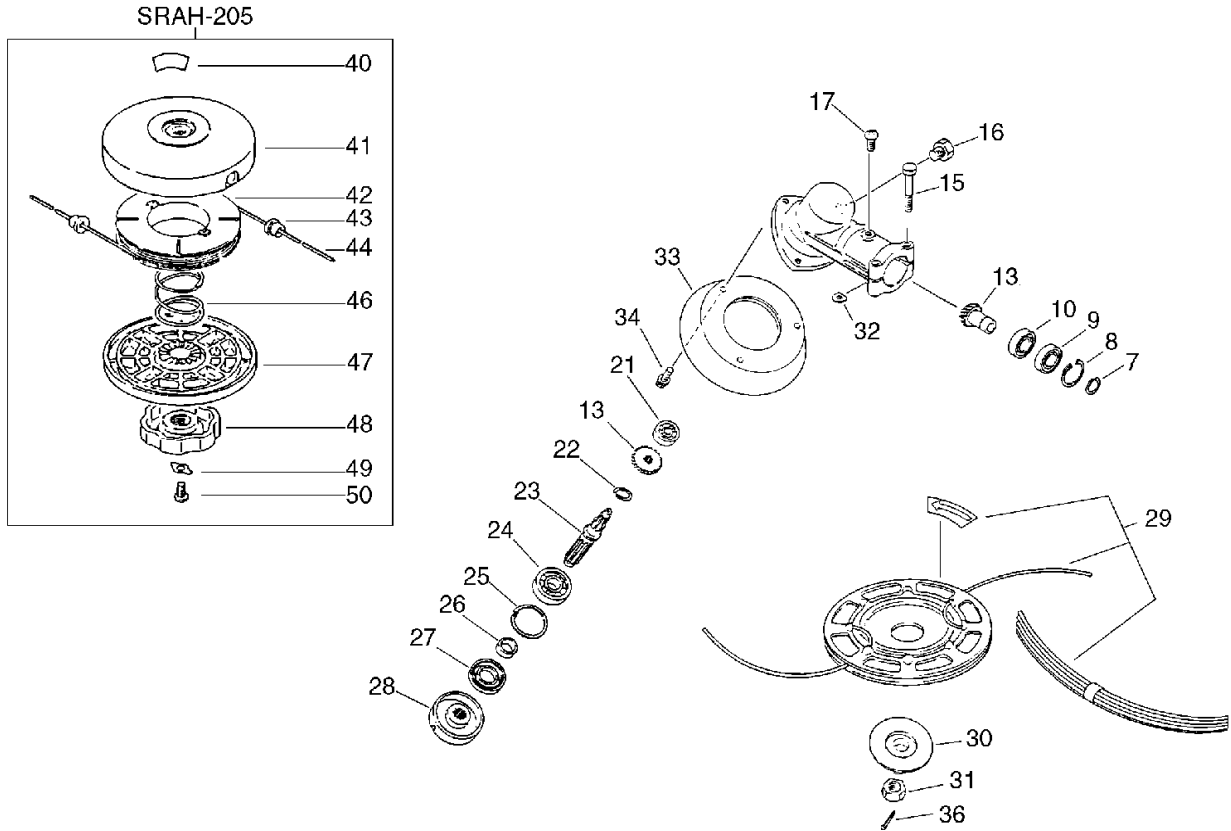
No.11



KEY	LV	PART NUMBER	Q'TY	DESCRIPTION	REMARKS	NOTE1	NOTE2
28		610313-07132	1	PLATE, ADAPTER (U)		D. shaft Sr/Nr 008507 and after	
29		696200-55230	1	CUTTER ASSY, LINE		Sus. by 990109- 09040	
29		990109-09040	1	CUTTER BLACK			
30		610314-07130	1	PLATE, ADAPTER (L)		D. shaft Sr/Nr 008507 and after	
31		900511-00010	1	NUT 10 (L-H)	10*P1.25	D. shaft Sr/Nr 008507 and after	
32		610239-04130	2	WASHER, SHIM			
33		610443-21232	1	PLATE, GUARD		Sus. by C536- 000030	
33		C536-000030	1	COVER,GEAR CASE			
34		900242-05020	3	SCREW 5*20	5*20		
36		900300-20022	1	PIN, SPLIT 2*22	2*22	D. shaft Sr/Nr 008507 and after	
40		890617-46730	1	LABEL, CAUTION			
41		696205-06033	1	DRUM, CORD REEL			
42		696214-06830	1	REEL, CORD			
43		696212-06032	2	EYELET			
44		696215-22830	2	CORD, NYLON(2.4*2.5)			
46		696216-06030	1	SPRING			

11. Gear Case(Loop Handle Type), Nylon Line Cutting Head

No.11



KEY	LV	PART NUMBER	Q'TY	DESCRIPTION	REMARKS	NOTE1	NOTE2
47		696206-06032	1	COVER, DRUM (JY)			
48		696219-06031	1	NUT (JY)		Sus. by V299-000260	
48		V299-000260	1	KNOB,FASTENER	M16X2		
49		696220-06030	1	STOPPER, NUT			
50		900220-06010	1	SCREW 6*10	6*10		

12. Repair Kit

KEY	LV	PART NUMBER	Q'TY	DESCRIPTION	REMARKS	NOTE1	NOTE2
		125303-51030	1	GASKET/DIAPHRAGM KIT			
6- 3	+	125341-42030	1	DIAPHRAGM			
6- 4	+	125340-51030	1	GASKET, DIAPHRAGM			
6-22	+	125312-12820	1	DIAPHRAGM, FUEL PUMP			
6-23	+	125325-13310	1	GASKET, PUMP			
		125300-51330	1	REBUILD KIT			
6- 3	+	125341-42030	1	DIAPHRAGM			
6- 4	+	125340-51030	1	GASKET, DIAPHRAGM			
6- 6	+	125338-13930	1	PIN, METERING ARM			
6- 7	+	125323-42030	1	LEVER, METERING			
6- 8	+	125322-42030	1	SPRING, COIL			
6- 9	+	125337-06960	1	VALVE, INLET NEEDLE			
6-11	+	125345-51030	1	PLUG, WELCH			
6-21	+	125326-42030	1	STRAINER			
6-22	+	125312-12820	1	DIAPHRAGM, FUEL PUMP			
6-23	+	125325-13310	1	GASKET, PUMP			

Index

Patrs Number	Key No.	Patrs Number	Key No.	Patrs Number	Key No.
100000-53630	1 - 13	125333-08560	6 - 30	145619-52930	4 - 28
100000-53631	1 - 13	125337-06960	12 - 6- 9	145910-46431	4 - 22
100011-46430	1 - 14	125337-06960	6 - 9	152112-46430	3 - 14
100012-16131	1 - 23	125338-13930	12 - 6- 6	156601-46430	3 - 13
100013-27430	1 - 15	125338-13930	6 - 6	156801-52930	3 - 12
100014-53630	1 - 17	125339-42030	6 - 5	159010-10230	3 - 17
100015-03930	1 - 16	125340-51030	12 - 6- 4	159011-03432	3 - 16
100015-03931	1 - 16	125340-51030	12 - 6- 4	159012-03433	3 - 15
100100-53630	1 - 22	125340-51030	6 - 4	159905-46430	1 - 6
100142-12330	1 - 24	125341-42030	12 - 6- 3	159906-46430	1 - 7
100204-46430	1 - 19	125341-42030	12 - 6- 3	162010-52930	3 - 19
100212-03930	1 - 28	125341-42030	6 - 3	162014-52930	3 - 20
100213-05530	1 - 18	125342-13210	6 - 2	163400-48030	8 - 12
100215-02830	1 - 20	125344-08560	6 - 29	163400-52430	10 - 28
100242-46430	1 - 25	125344-13931	6 - 1	175005-49930	7 - 29
101010-46431	1 - 12	125345-51030	12 - 6-11	175009-46431	3 - 7
101011-46431	1 - 10	125345-51030	6 - 11	175009-49930	3 - 7
101506-46431	1 - 8	125363-11610	6 - 27	175018-27932	3 - 6
101511-46431	1 - 29	125372-42030	6 - 20	175018-49930	3 - 6
125200-52930	4 - 8	125381-08660	6 - 26	175018-49931	3 - 6
125200-52930	6 -	125383-13310	6 - 24	175018-49932	3 - 6
125200-52931	4 - 8	129011-51730	4 - 14	175046-46430	3 - 5
125200-52931	6 -	130007-52930	4 - 5	175048-05530	3 - 8
125200-52932	4 - 8	130010-46431	4 - 4	177200-46430	2 - 11
125200-52932	6 -	130016-42031	4 - 7	177200-46431	2 - 11
125300-51330	12 -	130111-00530	5 - 4	177202-41030	2 - 5
125303-51030	12 -	130302-52130	4 - 18	177214-41030	2 - 13
125310-11610	6 - 28	130302-52131	4 - 18	177215-43130	2 - 14
125312-12820	12 - 6-22	130310-51730	4 - 16	177218-40630	2 - 9
125312-12820	12 - 6-22	130314-51730	4 - 11	177220-40630	2 - 15
125312-12820	6 - 22	130406-52130	4 - 20	177226-01110	2 - 17
125313-42030	6 - 17	130406-52131	4 - 20	177227-42030	2 - 18
125314-51230	6 - 13	131004-08960	5 - 18	177228-11120	2 - 19
125316-52930	6 - 12	131010-52930	5 - 14	177228-27030	2 - 19
125317-42030	6 - 18	131016-55830	5 - 19	177234-40630	2 - 8
125318-51330	6 - 15	131051-52430	5 - 20	177236-40630	2 - 12
125319-42030	6 - 14	131205-19830	5 - 11	178001-47530	8 - 14
125320-52930	6 - 16	131300-56430	5 - 5	178001-52430	10 - 39
125322-42030	12 - 6- 8	131328-40630	5 - 26	178010-05960	8 - 11
125322-42030	6 - 8	131910-52930	5 - 24	178010-42232	10 - 29
125323-42030	12 - 6- 7	131920-52930	5 - 23	178012-05960	8 - 9
125323-42030	6 - 7	131923-11120	5 - 13	178012-42230	10 - 31
125325-13310	12 - 6-23	132010-13930	5 - 12	178013-35631	8 - 10
125325-13310	12 - 6-23	132010-51230	5 - 7	178013-42230	10 - 32
125325-13310	6 - 23	132010-56330	5 - 6	178043-42230	10 - 30
125326-42030	12 - 6-21	132013-09820	5 - 9	178111-04930	8 - 13
125326-42030	6 - 21	132115-46730	5 - 8	178121-43230	8 - 34
125327-13930	6 - 19	145610-46430	4 - 26	178121-52930	1 - 4
125327-15130	6 - 10	145618-46431	4 - 27	178127-24030	10 - 40

Index

Patrs Number	Key No.	Patrs Number	Key No.	Patrs Number	Key No.
178127-47530	8 - 15	610413-07130	9 - 27	898503-50030	9 - 52
178510-51730	4 - 9	610434-50030	11 - 16	898562-43230	9 - 53
178515-05060	4 - 13	610434-50030	9 - 16	900100-05012	8 - 31
178516-00830	4 - 12	610434-50031	11 - 16	900100-05018	10 - 13
178810-05230	4 - 10	610434-50031	9 - 16	900105-05016	4 - 24
301000-55230	10 - 33	610443-21232	11 - 33	900141-05012	9 - 47
301000-55231	10 - 33	610443-21232	9 - 33	900142-05025	7 - 49
301001-52130	8 - 22	610910-40430	7 - 23	900142-05025	8 - 20
301015-05330	8 - 35	610922-40430	7 - 21	900142-05030	11 - 15
301200-05230	8 - 30	610923-40430	7 - 22	900142-05030	9 - 15
301200-42230	10 - 26	696001-55630	9 - 50	900142-06030	8 - 21
301207-07530	10 - 11	696001-55631	9 - 50	900162-04012	1 - 31
301210-04630	8 - 36	696200-55230	11 - 29	900162-04014	2 - 20
301305-24330	10 - 34	696205-06033	11 - 41	900162-05012	5 - 25
351102-42230	10 - 22	696206-06032	11 - 47	900162-05014	1 - 9
351102-47530	8 - 5	696212-06032	11 - 43	900162-05014	4 - 25
351110-52430	8 - 23	696214-06830	11 - 42	900162-05016	7 - 24
351201-06930	10 - 8	696215-22830	11 - 44	900162-05020	1 - 11
351202-51430	8 - 16	696216-06030	11 - 46	900162-05020	1 - 30
351210-52430	8 - 18	696219-06031	11 - 48	900162-05020	8 - 17
351301-04130	8 - 19	696220-06030	11 - 49	900162-05025	1 - 5
351311-22430	8 - 24	699001-50430	7 - 40	900162-05025	4 - 6
610011-06230	7 - 5	699010-54430	7 - 42	900162-05025	7 - 20
610205-46430	7 - 25	699011-43130	7 - 41	900220-05030	8 - 7
610206-52930	7 - 13	699012-03330	10 - 12	900220-06010	11 - 50
610239-04130	11 - 32	699013-52130	7 - 43	900238-05012	10 - 27
610239-04130	9 - 32	699015-52130	7 - 48	900238-05025	10 - 23
610281-42230	10 - 3	699016-54530	7 - 50	900238-05050	4 - 15
610300-40430	11 - 13	699200-07131	9 - 40	900242-04014	4 - 29
610300-40430	9 - 13	699226-05430	9 - 42	900242-05010	11 - 17
610310-07130	11 - 23	699227-04630	9 - 44	900242-05010	3 - 21
610310-07130	9 - 23	699228-08930	9 - 45	900242-05010	9 - 17
610313-07130	11 - 28	890115-52930	1 - 40	900242-05012	7 - 51
610313-07130	9 - 28	890118-49330	2 - 21	900242-05014	7 - 47
610313-07131	11 - 28	890121-47530	4 - 17	900242-05018	7 - 44
610313-07131	9 - 28	890157-39130	10 - 43	900242-05020	11 - 34
610313-07132	11 - 28	890157-39130	8 - 4	900242-05020	3 - 18
610313-07132	9 - 28	890177-46730	10 - 38	900242-05020	9 - 34
610313-47731	11 - 28	890617-43130	10 - 38	900242-05030	1 - 26
610314-07130	11 - 30	890617-43130	8 - 28	900242-05035	10 - 9
610314-07130	9 - 29	890617-46730	11 - 40	900246-03025	8 - 6
610315-07130	11 - 26	890617-46830	8 - 28	900253-04018	10 - 24
610315-07130	9 - 26	890617-63630	10 - 38	900253-04025	10 - 4
610333-07130	9 - 41	895112-00330	2 - 33	900300-20022	11 - 36
610336-07131	9 - 48	895123-03830	2 - 32	900300-20022	9 - 31
610400-40430	9 - 6	895410-08030	2 - 34	900500-00005	10 - 10
610400-40431	9 - 6	895610-00130	2 - 31	900500-00005	10 - 25
610400-40433	9 - 6	897518-01131	2 - 35	900500-00005	7 - 46
610413-07130	11 - 27	898502-01130	2 - 30	900500-00005	8 - 8

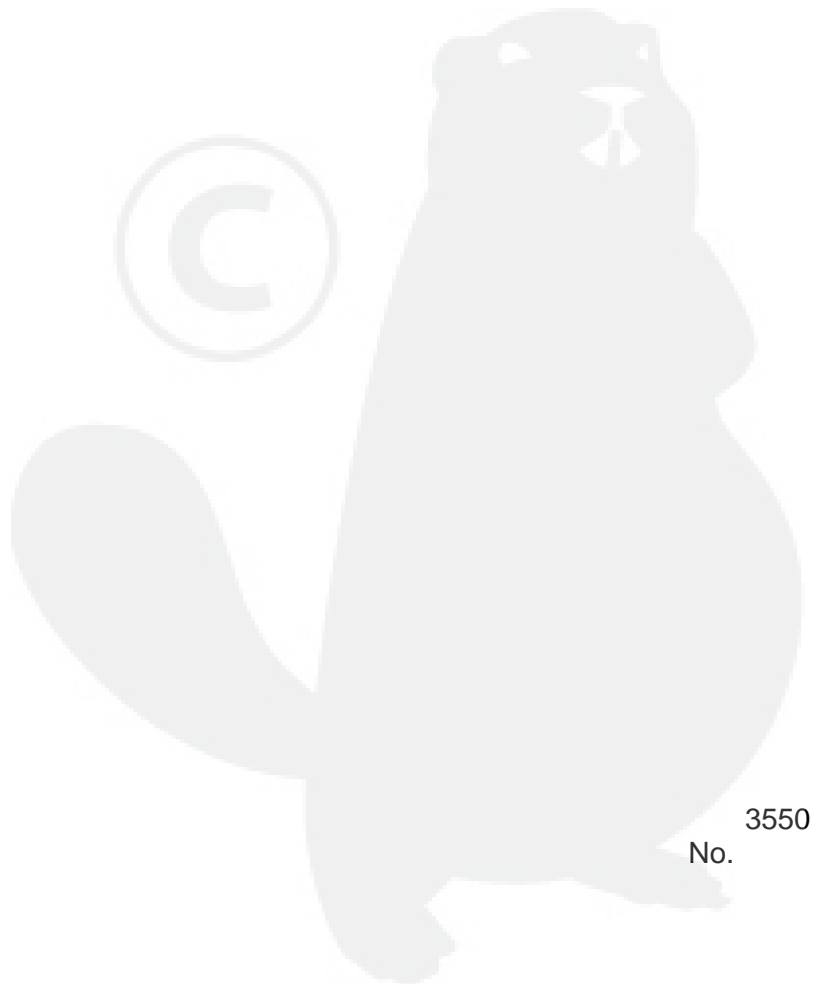
Index

Patrs Number	Key No.	Patrs Number	Key No.	Patrs Number	Key No.
900500-00005	8 - 8				
900502-00006	10 - 42				
900502-00006	8 - 32				
900502-00008	2 - 10				
900502-00008	3 - 9				
900511-00010	11 - 31				
900511-00010	9 - 30				
900600-00008	3 - 11				
900603-00005	7 - 45				
900605-00008	3 - 10				
900700-00004	2 - 6				
900701-00012	11 - 7				
900701-00012	7 - 26				
900701-00012	9 - 7				
900702-00028	11 - 8				
900702-00028	7 - 28				
900702-00028	9 - 8				
900702-00032	1 - 27				
900702-00032	11 - 25				
900702-00032	9 - 25				
900706-00012	11 - 22				
900706-00012	9 - 22				
900800-06001	11 - 10				
900800-06001	9 - 10				
900800-36000	11 - 21				
900800-36000	9 - 21				
900807-06001	11 - 9				
900807-06001	7 - 27				
900807-06001	9 - 9				
900810-06201	11 - 24				
900810-06201	9 - 24				
900810-36201	1 - 21				
900814-06202	9 - 43				
94035-36201	1 - 21				
990109-09040	11 - 29				
A553-000000	3 - 7				
C536-000030	11 - 33				
C536-000030	9 - 33				
P005-000990	6 - 24				
P021-007470	9 - 52				
V299-000260	11 - 48				
V471-001190	5 - 12				
X505-000140	10 - 38				
X602-000020	2 - 34				

YAMABIKO CORPORATION

7-2 SUEHIROCHO 1-CHOME, OHME, TOKYO 198-8760, JAPAN
PHONE: 81-428-32-6118. FAX: 81-428-32-6145.

ECHO[®]



3550
No.