



PARTS CATALOG

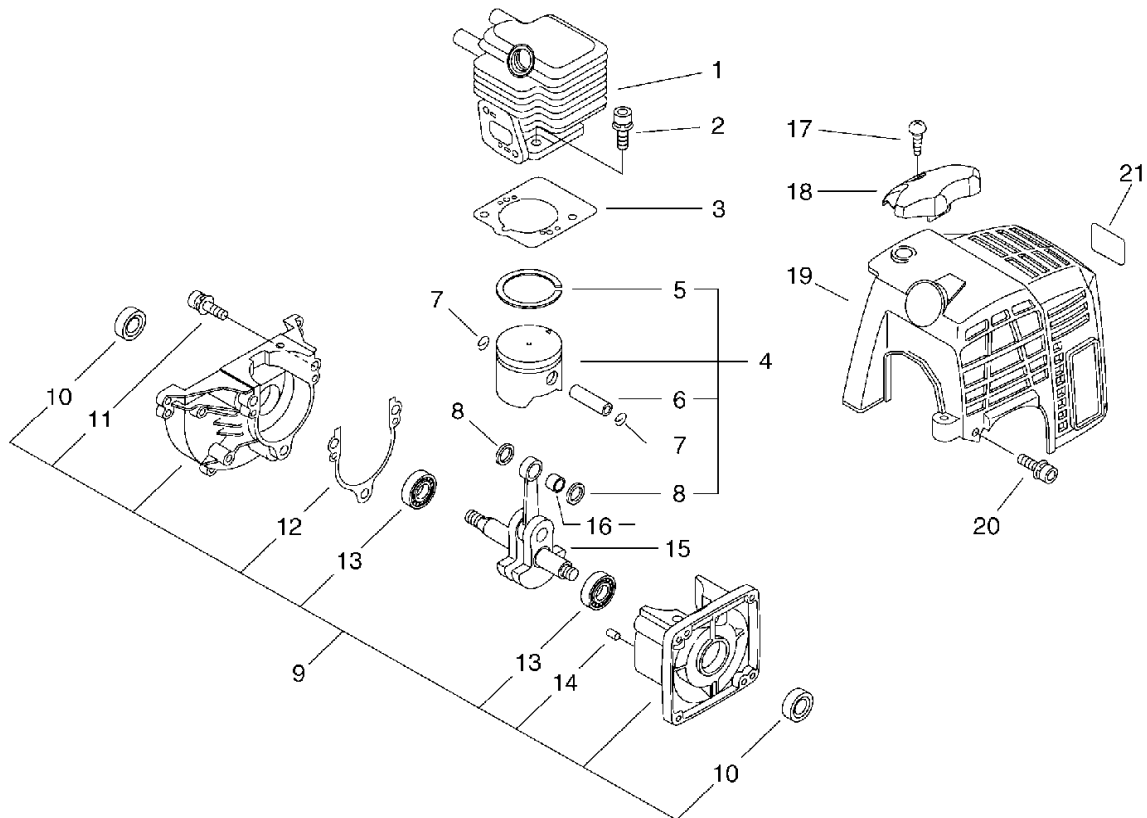
GRASS-TRIMMER / BRUSHCUTTER

SRM-220ES/U (37)

37008659 - 37019812

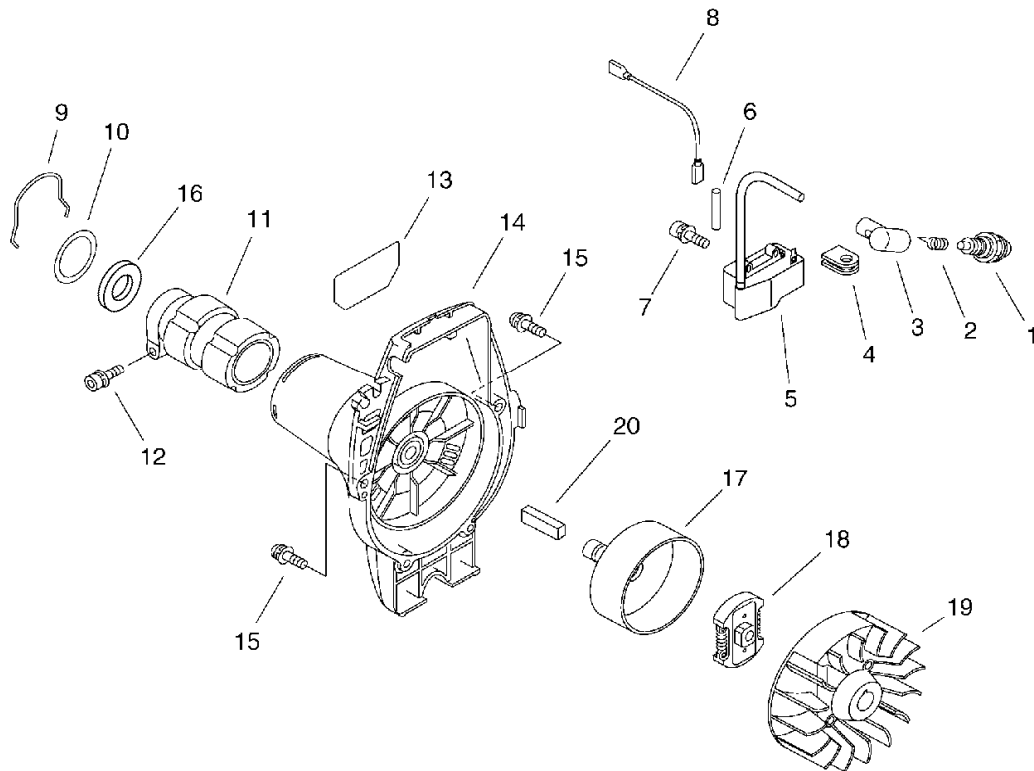
P014-000670-10Hb

1. CYLINDER, CRANKCASE, PISTON



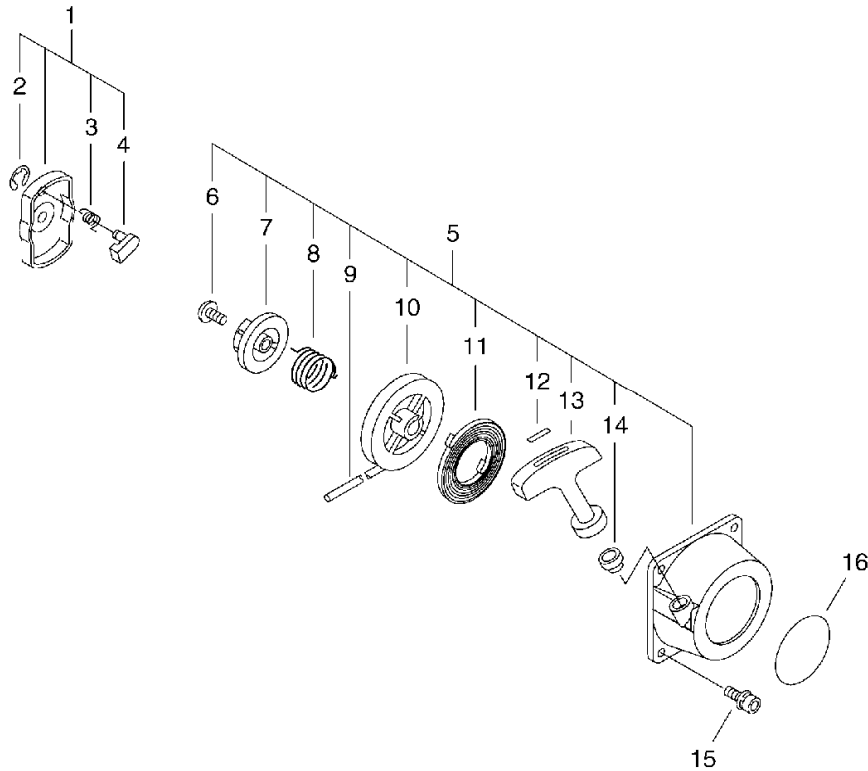
KEY	LV	PART NUMBER	Q'TY	DESCRIPTION	REMARKS	NOTE1	NOTE2
1		A130-000540	1	CYLINDER			
2		900162-05022	2	BOLT, H.S. 5*22	5*22 W,SW		
3		V100-000160	1	GASKET, CYL			
4		P021-007712	1	PISTON KIT			
5	+	A101-000090	1	RING, PISTON			
6	+	100013-11520	1	PIN, PISTON			
7	+	100015-04630	2	CIRCLIP, PISTON PIN			
8	+	100014-11520	2	SPACER, PISTON PIN			
9		100204-52133	1	CRANKCASE KIT			
10	+	100212-42031	2	OILSEAL	ISCD 12*22*4.5		
11	+	900162-05028	3	BOLT, H.S. 5*28	5*28 W,SW		
12	+	100242-42030	1	GASKET, CRANKCASE			
13	+	94035-36201	2	BEARING BALL	6201X3JR2C3		
14	+	100215-03930	2	PIN, DOWEL			
15		A011-000101	1	CRANKSHAFT, ASM			
16	+	V553-000060	1	BEARING, NEEDLE 8	HK0810FMV4		
17		900253-05020	1	SCREW 5*20	5*20		
18		A162-000130	1	GUARD, TOP			
19		A160-000890	1	COVER, CYLINDER			
20		V202-000090	2	BOLT, 4	4*16		
21		X505-002310	1	LABEL, CAUTION	HOT CAUTION		

2. MAGNETO, CLUTCH



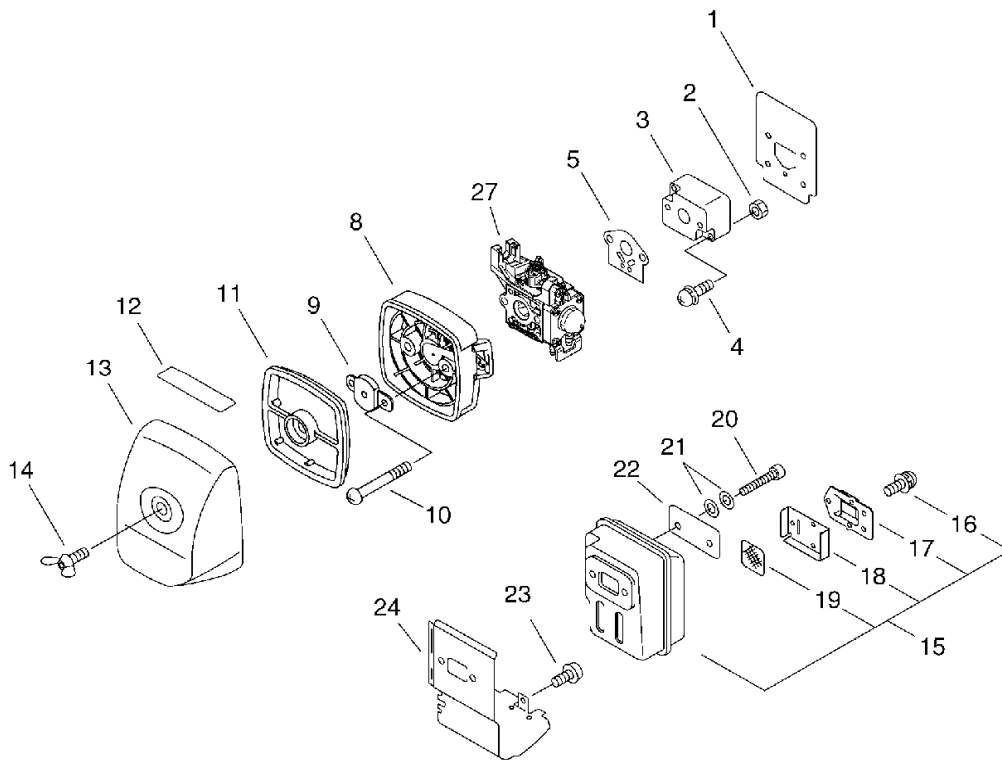
KEY	LV	PART NUMBER	Q'TY	DESCRIPTION	REMARKS	NOTE1	NOTE2
1		A425-000000	1	SPARKPLUG	BPMR8Y		
2		159011-03432	1	COIL, SPARK PLUG			
3		159012-03433	1	CAP, SPARK PLUG			
4		156112-40630	1	GROMMET			
5		A411-000140	1	COIL,IGNITION			
6		V475-003960	1	TUBE			
7		900162-04020	2	BOLT, H.S. 4*20	4*20 W,SW		
8		162010-52830	1	LEAD, GROUND			
9		660316-55630	1	CLIP			
10		V315-000030	1	WASHER,CIRCULAR 30	33.5*41.0*T0.5		
11		A575-000110	1	FIXTURE,MAIN PIPE			
12		91118-05028	1	BOLT	CM-5*28		
13		X547-000530	1	LABEL,ECHO	SRM-220ES		
14		A172-000320	1	COVER,FAN			
15		91363-04016	3	SCREW	SMB-4*16/W,SW		
16		175313-20430	1	RING, FELT			
17		175005-44331	1	DRUM, CLUTCH			
18		175000-56831	1	CLUTCH ASSEMBLY			
19		A409-000210	1	ROTOR,MAGNETO			
20		V376-000990	1	SPACER			

3. RECOIL STARTER



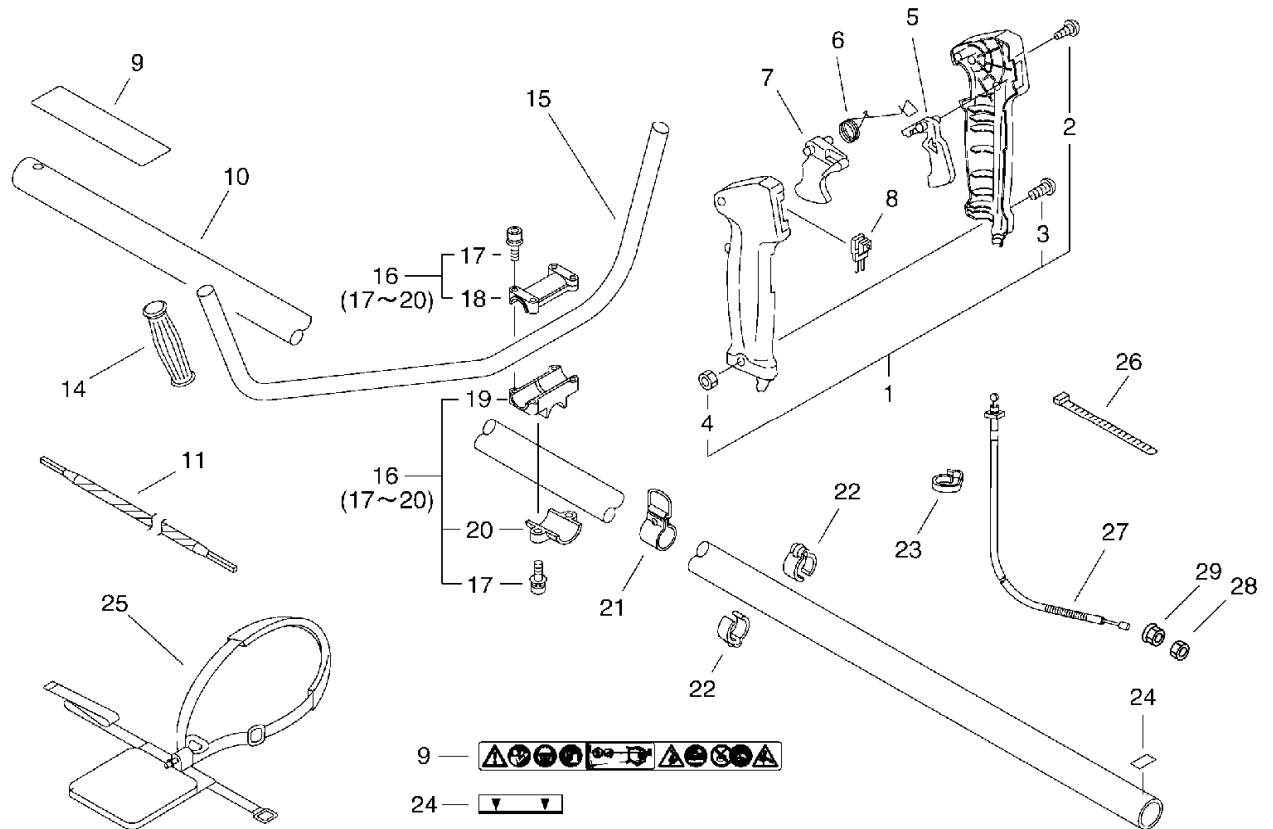
KEY	LV	PART NUMBER	Q'TY	DESCRIPTION	REMARKS	NOTE1	NOTE2
1		A052-000180	1	PULLEY,ASM STARTER			
2	+	P022-002100	2	E-RING	4		
3	+	P022-006510	2	SPRING, RETURN			
4	+	P022-006850	2	PAWL, STARTER			
5		A051-001410	1	STARTER,RECOIL ASY			
6	+	177236-61830	1	SCREW			
7	+	P022-008280	1	PLATE, CAM			
8	+	P022-008270	1	SPRING,DAMPER			
9	+	P022-008260	1	ROPE	3M/M		
10	+	P022-006830	1	DRUM			
11	+	177220-42030	1	SPRING, REWIND			
12	+	P022-023170	1	GRIP, STARTER			
13	+	177228-27030	1	GRIP, STARTER			
14	+	177227-42030	1	GUIDE, ROPE			
15		V202-000090	2	BOLT,4	4*16		
16		X502-000330	1	LABEL,ECHO	ECHO		

4. AIR CLEANER, CARBURETOR, MUFFLER



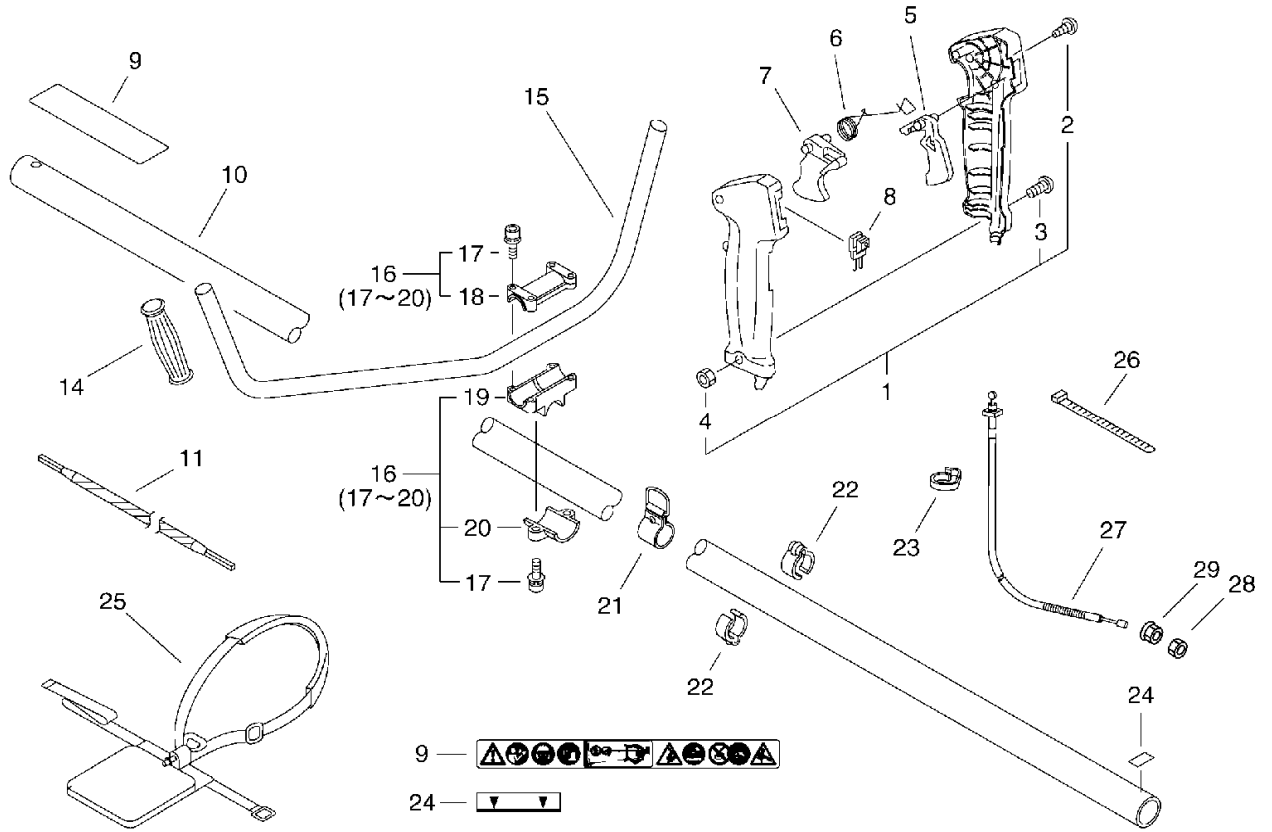
KEY	LV	PART NUMBER	Q'TY	DESCRIPTION	REMARKS	NOTE1	NOTE2
1		130010-42032	1	GASKET,INTAKE			
2		900500-00005	2	NUT 5	5		
3		130017-44331	1	INSULATOR			
4		900238-05022	2	SCREW 5*22	5*22		
5		130010-13410	1	GASKET, INTAKE			
8		P021-000991	1	CASE, AIR CLEANER			
9		129011-52730	1	PLATE, PREVENT			
10		900220-05065	2	SCREW 5*65	5*65		
11		130310-54130	1	FILTER, AIR			
11		A226-001410	1	ELEMENT,AIR FILTER			
12		890332-52730	1	LABEL, CHOKE			
13		130313-05863	1	LID, AIR CLEANER			
14		210417-52730	1	BOLT, WING	5*20		
15		P021-008100	1	MUFFLER ASY			
16	+	91367-04010	5	SCREW	4*10/SW(SUS)		
17	+	A313-000600	1	GUIDE,EXH			
18	+	V104-000360	1	GASKET,EXHAUST			
19	+	145862-40630	1	SCREEN, MUFFLER			
20		900105-05055	2	BOLT, H.S. 5*55	5*55		
21		V347-000000	4	WASHER,CONICAL			
22		V150-000371	1	PLATE,EYE			
23		91121-04008	1	BOLT, FLANGE	M4*8 10.9		
24		V104-000500	1	GASKET,EXHAUST			
27		A021-001690	1	CARBURETOR,DIAPHRAGM	ZAMA RB-X1746		

6. U-HANDLE



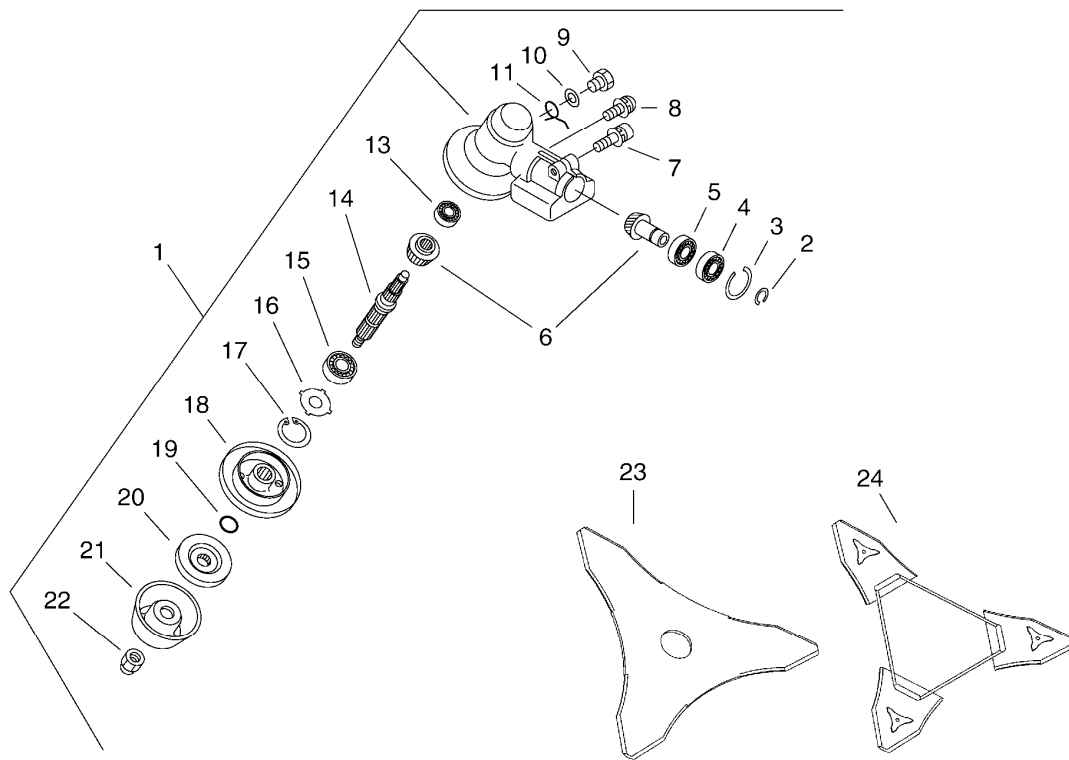
KEY	LV	PART NUMBER	Q'TY	DESCRIPTION	REMARKS	NOTE1	NOTE2
1		351102-47530	1	GRIP ASSY, F-HANDLE			
2	+	900246-03025	4	SCREW 3*25	3*25		
3	+	900220-05030	1	SCREW 5*30	5*30		
4	+	900500-00005	1	NUT 5	5		
5		178012-05960	1	LOCKOUT, THROTTLE			
6		178013-35631	1	SPRING, THR. LOCK			
7		178010-05960	1	CONTROL, THROTTLE			
8		A440-000880	1	SWITCH, ON OFF			
9		890617-43130	1	LABEL, CAUTION			
10		610206-44730	1	HOUSING ASSY, D.SHFT			
11		610013-44730	1	SHAFT, FLEXIBLE			
12		V475-001500	1	TUBE	7*740		
13		V430-002300	1	CABLE, BOWDEN	770+140		
14		351311-02330	1	GRIP, HANDLE			
15		C400-000211	1	HANDLE, FRONT			
16		351301-22333	1	BRACKET ASY, HANDLE			
17	+	91118-05025	6	BOLT			
18	+	351313-22332	1	BRACKET, HANDLE (U)			
19	+	351312-22331	1	BRACKET, HANDLE (C)			
20	+	351314-22332	1	BRACKET, HANDLE (L)			
21		301200-46830	1	HOOK, LIFTING			
22		224924-52130	2	CLIP	25MM		
23		159112-09961	1	CLIP			
24		890152-04930	2	LABEL, CAUTION			
25		301001-44731	1	HARNESS, SHOULDER	L1700, L1400		
26		178121-08550	2	BAND	CV-100		

6. U-HANDLE



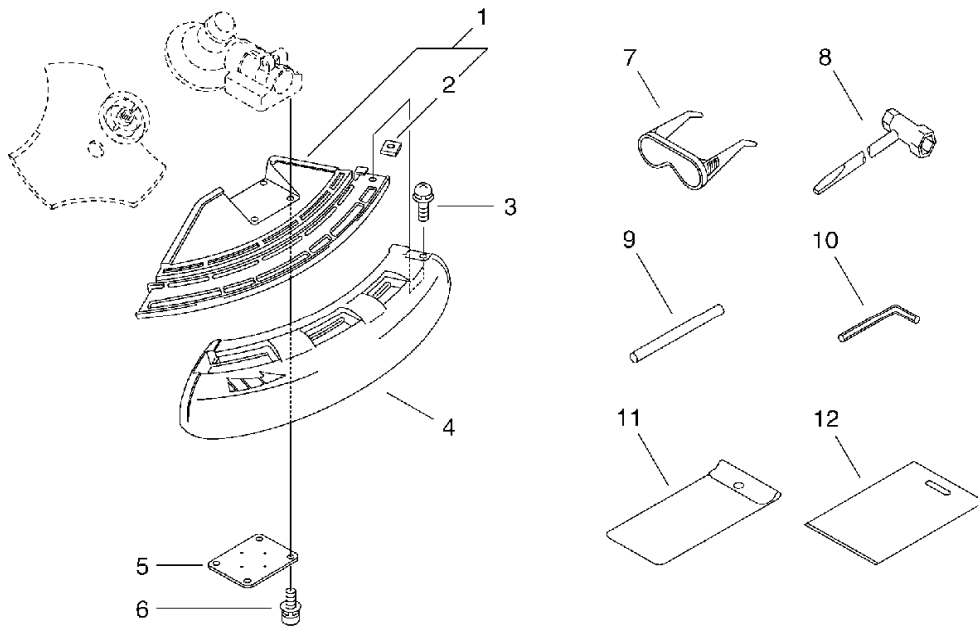
KEY	LV	PART NUMBER	Q'TY	DESCRIPTION	REMARKS	NOTE1	NOTE2
27		900502-00006	1	NUT 6 (3N)	3N6		
28		900518-00006	1	NUT, FLANGE	6		
29		91363-04016	1	SCREW	SMB-4*16/W,SW		

7. GEAR CASE, CUTTER



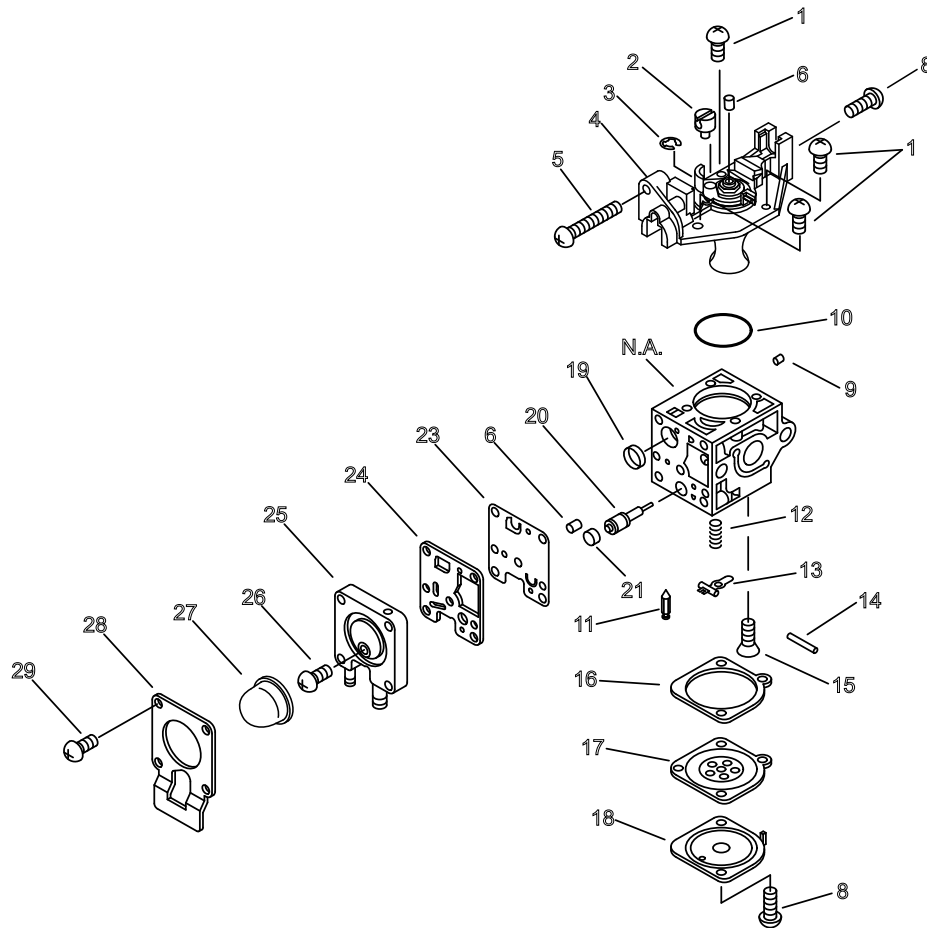
KEY	LV	PART NUMBER	Q'TY	DESCRIPTION	REMARKS	NOTE1	NOTE2
1		P021-005784	1	HOUSING ASY,GEAR			
1		P021-005785	1	HOUSING ASY,GEAR			
2	+	900706-00010	1	CIRCLIP 10	WR-10		
3	+	900702-00022	1	CIRCLIP 22	CR-22		
4	+	900858-06900	1	BEARING, BALL 6900Z	6900Z		
5	+	900855-06900	1	BEARING, BALL 6900	6900		
6	+	610300-42330	1	GEAR SET			
7	+	91118-06025	1	BOLT			
8	+	900242-05010	1	SCREW 5*10			
9	+	610434-50031	1	BOLT 8* 8	M8*8		
10	+	900603-50008	1	WASHER	8.5*18*0.8T		
11	+	610473-52131	1	SPRING			
13	+	900810-00626	1	BEARING, BALL 626	626		
14	+	610310-56831	1	SHAFT, P.T.O.			
15	+	900812-06201	1	BEARING, BALL 6201	6201DDU(LLU)		
16	+	610444-56830	1	WASHER			
17	+	900702-00032	1	CIRCLIP 32	CR-32		
18	+	610313-52932	1	FIXTURE, BLADE			
19	+	900720-00012	1	O-RING 12	P-12		
20	+	610314-52130	1	PLATE, ADAPTER (L)			
21	+	699229-56830	1	PLATE, COVER			
22	+	610320-52130	1	NUT 10			
23		P021-014310	1	SAW, BUSH CUTTER	230*T3.0		
24		X495-000250	1	SCABBARD, BLADE	9"/10" 3 CUTTER		

8. SHIELD



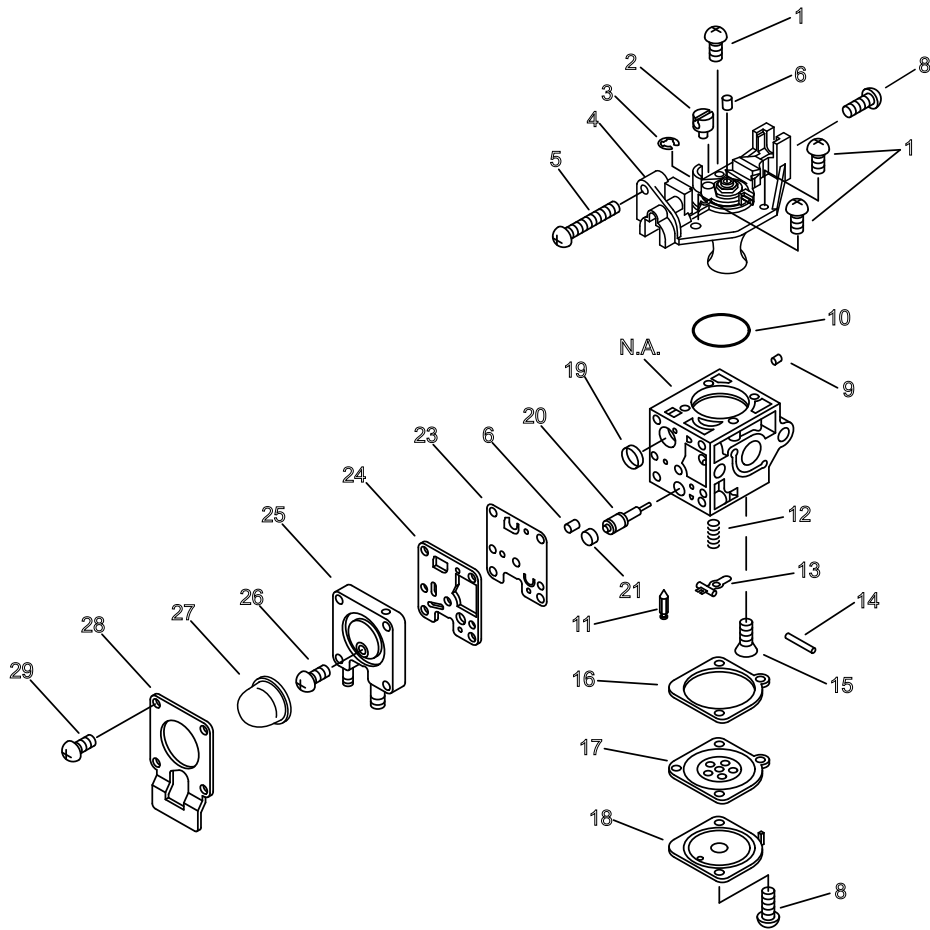
KEY	LV	PART NUMBER	Q'TY	DESCRIPTION	REMARKS	NOTE1	NOTE2
1		C550-000100	1	SHIELD,BLADE			
2	+	900565-00005	1	NUT	5		
3		900242-05018	1	SCREW 5*18	5*18		
4		C550-000090	1	SHIELD,BLADE			
5		699013-56830	1	PLATE, SHIELD			
6		91118-05025	4	BOLT			
7		X690-000050	1	GOGGLE	GOGGLE + NOTE		
8		895410-02830	1	WRENCH, W/S. DRIVER			
9		X606-000080	1	TOOL,BAR	5*120		
10		895610-00130	1	L-WRENCH (4MM)			
11		898510-07130	1	BAG, TOOL			
12		X698-000040	1	TOOL,CASE	400*500		

9. CARBURETOR



KEY	LV	PART NUMBER	Q'TY	DESCRIPTION	REMARKS	NOTE1	NOTE2
		A021-001690	1	CARBURETOR,DIAPHRAGM	ZAMA RB-X1746		
1	+	125344-13931	3	SCREW			
2	+	P005-001240	1	POST			
3	+	P005-000190	1	E-RING			
4	+	P005-002050	1	COVER ASY, ROTOR			
5	+	P005-000100	1	SCREW,THROTTLEADJUST			
6	+	P005-001270	2	PLUG, H AJUST SCREW			
8	+	125344-52130	3	SCREW			
9	+	P005-001000	1	ROLLER, GUIDE			
10	+	P005-000280	1	O-RING			
11	+	125337-08260	1	VALVE, INLET NEEDLE			
12	+	P005-000940	1	SPRING, METER. LEVER			
13	+	125323-08260	1	ARM, VALVE			
14	+	125338-13930	1	PIN, METERING ARM			
15	+	125339-42030	1	SCREW			
16	+	P005-000200	1	GASKET, METERING			
17	+	P005-001780	1	DIAPHRAGM			
18	+	125342-52130	1	COVER, DIAPHRAGM			
19	+	P005-000010	1	STRAINER			
20	+	P005-001260	1	SCREW,MAINN MIXTURE			
21	+	P005-001250	1	RETAINER,PLUG BALL			
23	+	P005-000510	1	DIAPHRAGM, PUMP			
24	+	P005-000520	1	GASKET, PUMP			
25	+	P005-001890	1	BASE, ASY PRIMER			
26	+	P005-000270	1	SCREW			

9. CARBURETOR



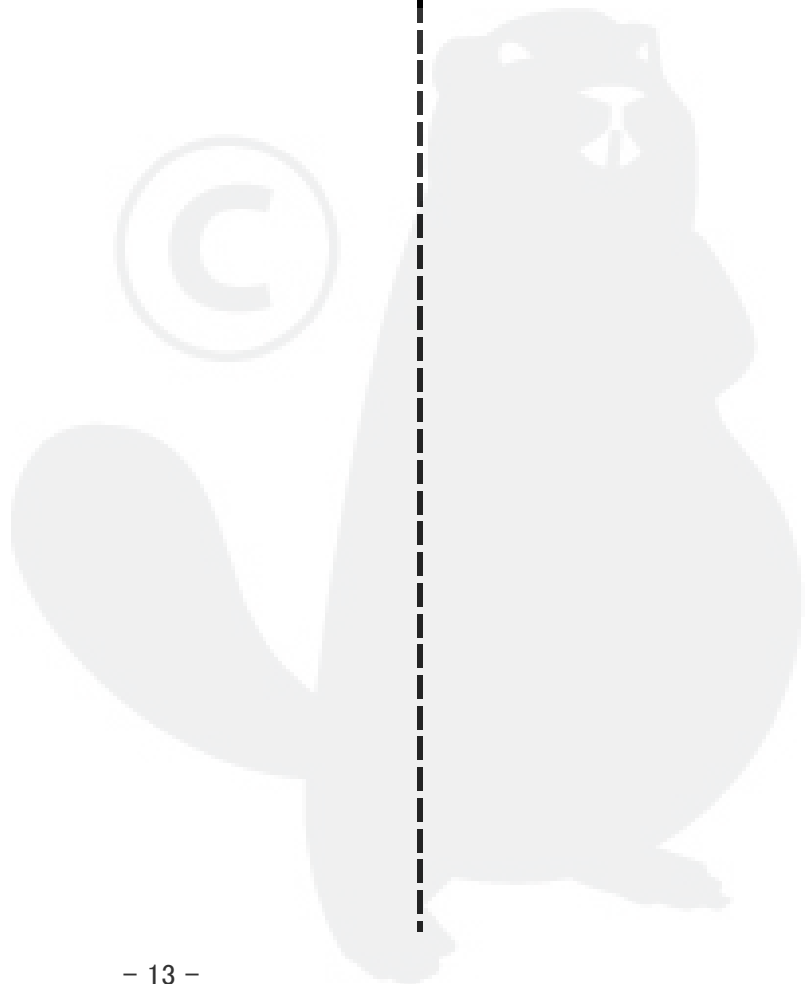
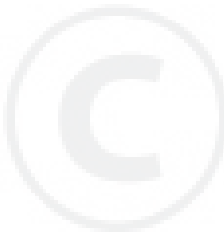
KEY	LV	PART NUMBER	Q'TY	DESCRIPTION	REMARKS	NOTE1	NOTE2
27	+	125381-46730	1	PUMP, PRIMING			
28	+	P005-000250	1	RETAINER			
29	+	P005-001900	4	SCREW			

Index

Patrs Number	Key No.	Patrs Number	Key No.	Patrs Number	Key No.
100013-11520	1 - 6	351311-02330	6 - 14	91118-05020	5 - 13
100014-11520	1 - 8	351312-22331	6 - 19	91118-05025	6 - 17
100015-04630	1 - 7	351313-22332	6 - 18	91118-05025	8 - 6
100204-52133	1 - 9	351314-22332	6 - 20	91118-05028	2 - 12
100212-42031	1 - 10	610013-44730	6 - 11	91118-06025	7 - 7
100215-03930	1 - 14	610206-44730	6 - 10	91121-04008	4 - 23
100242-42030	1 - 12	610300-42330	7 - 6	91363-04016	2 - 15
125323-08260	9 - 13	610310-56831	7 - 14	91363-04016	6 - 29
125337-08260	9 - 11	610313-52932	7 - 18	91367-04010	4 - 16
125338-13930	9 - 14	610314-52130	7 - 20	94035-36201	1 - 13
125339-42030	9 - 15	610320-52130	7 - 22	A011-000101	1 - 15
125342-52130	9 - 18	610434-50031	7 - 9	A021-001690	4 - 27
125344-13931	9 - 1	610444-56830	7 - 16	A021-001690	9 -
125344-52130	9 - 8	610473-52131	7 - 11	A051-001410	3 - 5
125381-46730	9 - 27	660316-55630	2 - 9	A052-000180	3 - 1
129011-52730	4 - 9	699013-56830	8 - 5	A101-000090	1 - 5
130010-13410	4 - 5	699229-56830	7 - 21	A130-000540	1 - 1
130010-42032	4 - 1	890152-04930	6 - 24	A160-000890	1 - 19
130017-44331	4 - 3	890332-52730	4 - 12	A162-000130	1 - 18
130310-54130	4 - 11	890617-43130	6 - 9	A172-000320	2 - 14
130313-05863	4 - 13	895410-02830	8 - 8	A226-001410	4 - 11
131016-55830	5 - 9	895610-00130	8 - 10	A313-000600	4 - 17
131205-07320	5 - 7	898510-07130	8 - 11	A350-000480	5 - 11
132012-56030	5 - 4	900105-05055	4 - 20	A356-000030	5 - 1
132013-09820	5 - 6	900162-04020	2 - 7	A365-000060	5 - 10
132115-46730	5 - 5	900162-05022	1 - 2	A409-000210	2 - 19
145862-40630	4 - 19	900162-05028	1 - 11	A411-000140	2 - 5
156112-40630	2 - 4	900220-05030	6 - 3	A425-000000	2 - 1
159011-03432	2 - 2	900220-05065	4 - 10	A440-000880	6 - 8
159012-03433	2 - 3	900238-05022	4 - 4	A575-000110	2 - 11
159112-09961	6 - 23	900242-05010	7 - 8	C400-000211	6 - 15
162010-52830	2 - 8	900242-05018	8 - 3	C550-000090	8 - 4
175000-56831	2 - 18	900246-03025	6 - 2	C550-000100	8 - 1
175005-44331	2 - 17	900253-05020	1 - 17	P005-000010	9 - 19
175313-20430	2 - 16	900500-00005	4 - 2	P005-000100	9 - 5
177220-42030	3 - 11	900500-00005	6 - 4	P005-000190	9 - 3
177227-42030	3 - 14	900502-00006	6 - 27	P005-000200	9 - 16
177228-27030	3 - 13	900518-00006	6 - 28	P005-000250	9 - 28
177236-61830	3 - 6	900565-00005	8 - 2	P005-000270	9 - 26
178010-05960	6 - 7	900603-00005	5 - 12	P005-000280	9 - 10
178012-05960	6 - 5	900603-50008	7 - 10	P005-000510	9 - 23
178013-35631	6 - 6	900702-00022	7 - 3	P005-000520	9 - 24
178121-08550	6 - 26	900702-00032	7 - 17	P005-000940	9 - 12
210417-52730	4 - 14	900706-00010	7 - 2	P005-001000	9 - 9
224924-52130	6 - 22	900720-00012	7 - 19	P005-001240	9 - 2
301001-44731	6 - 25	900810-00626	7 - 13	P005-001250	9 - 21
301200-46830	6 - 21	900812-06201	7 - 15	P005-001260	9 - 20
351102-47530	6 - 1	900855-06900	7 - 5	P005-001270	9 - 6
351301-22333	6 - 16	900858-06900	7 - 4	P005-001780	9 - 17

Index

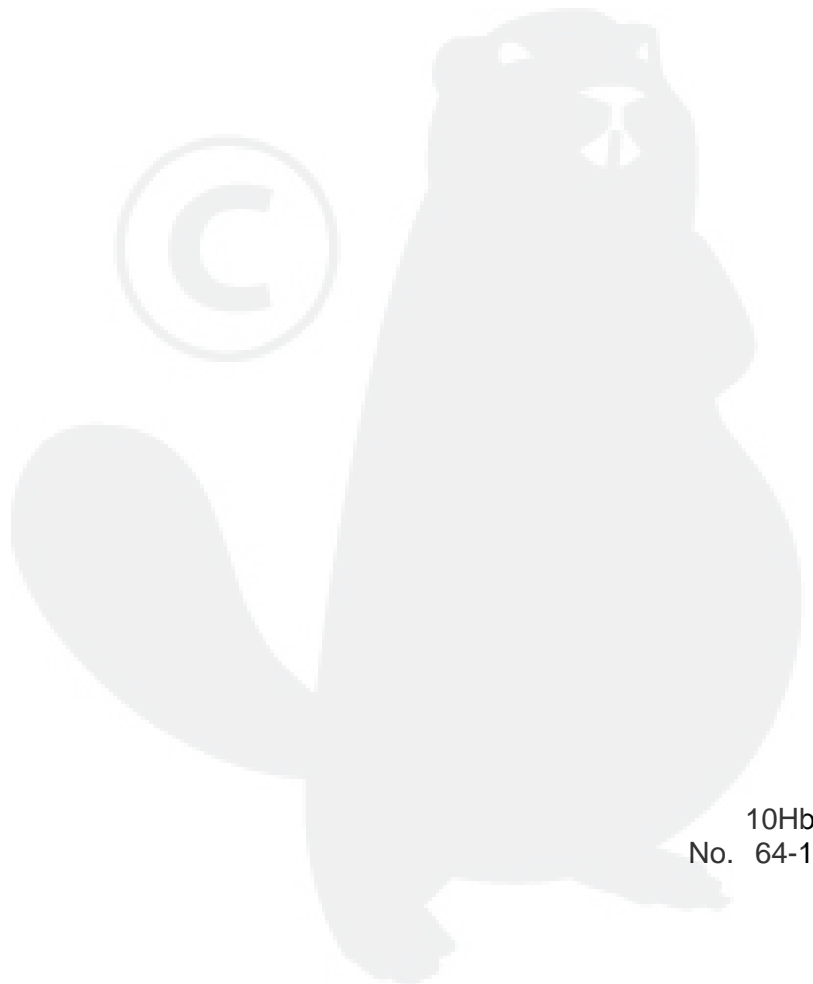
Patrs Number	Key No.	Patrs Number	Key No.	Patrs Number	Key No.
P005-001890	9 - 25				
P005-001900	9 - 29				
P005-002050	9 - 4				
P021-000991	4 - 8				
P021-005784	7 - 1				
P021-005785	7 - 1				
P021-007712	1 - 4				
P021-008100	4 - 15				
P021-012210	5 - 8				
P021-014310	7 - 23				
P022-002100	3 - 2				
P022-006510	3 - 3				
P022-006830	3 - 10				
P022-006850	3 - 4				
P022-008260	3 - 9				
P022-008270	3 - 8				
P022-008280	3 - 7				
P022-023170	3 - 12				
V100-000160	1 - 3				
V104-000360	4 - 18				
V104-000500	4 - 24				
V150-000371	4 - 22				
V202-000090	1 - 20				
V202-000090	3 - 15				
V315-000030	2 - 10				
V347-000000	4 - 21				
V376-000990	2 - 20				
V430-002300	6 - 13				
V471-001190	5 - 3				
V471-001200	5 - 2				
V475-001500	6 - 12				
V475-003960	2 - 6				
V553-000060	1 - 16				
X495-000250	7 - 24				
X502-000330	3 - 16				
X505-002310	1 - 21				
X547-000530	2 - 13				
X606-000080	8 - 9				
X690-000050	8 - 7				
X698-000040	8 - 12				



YAMABIKO CORPORATION

7-2 SUEHIROCHO 1-CHOME, OHME, TOKYO 198-8760, JAPAN
PHONE: 81-428-32-6118. FAX: 81-428-32-6145.

ECHO®



10Hb
No. 64-143