



PARTS CATALOG

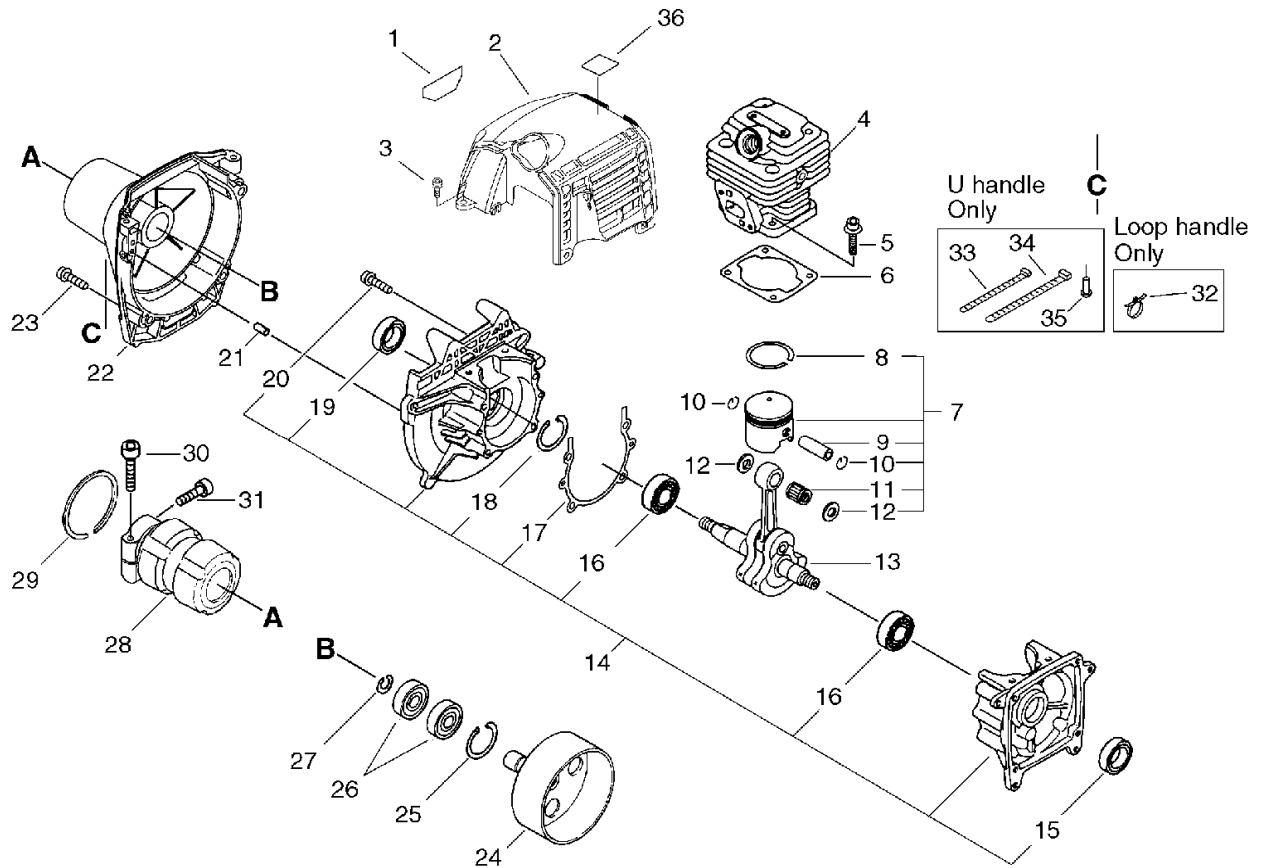
GRASS-TRIMMER / BRUSHCUTTER

SRM-335ES(37)

- 37003810

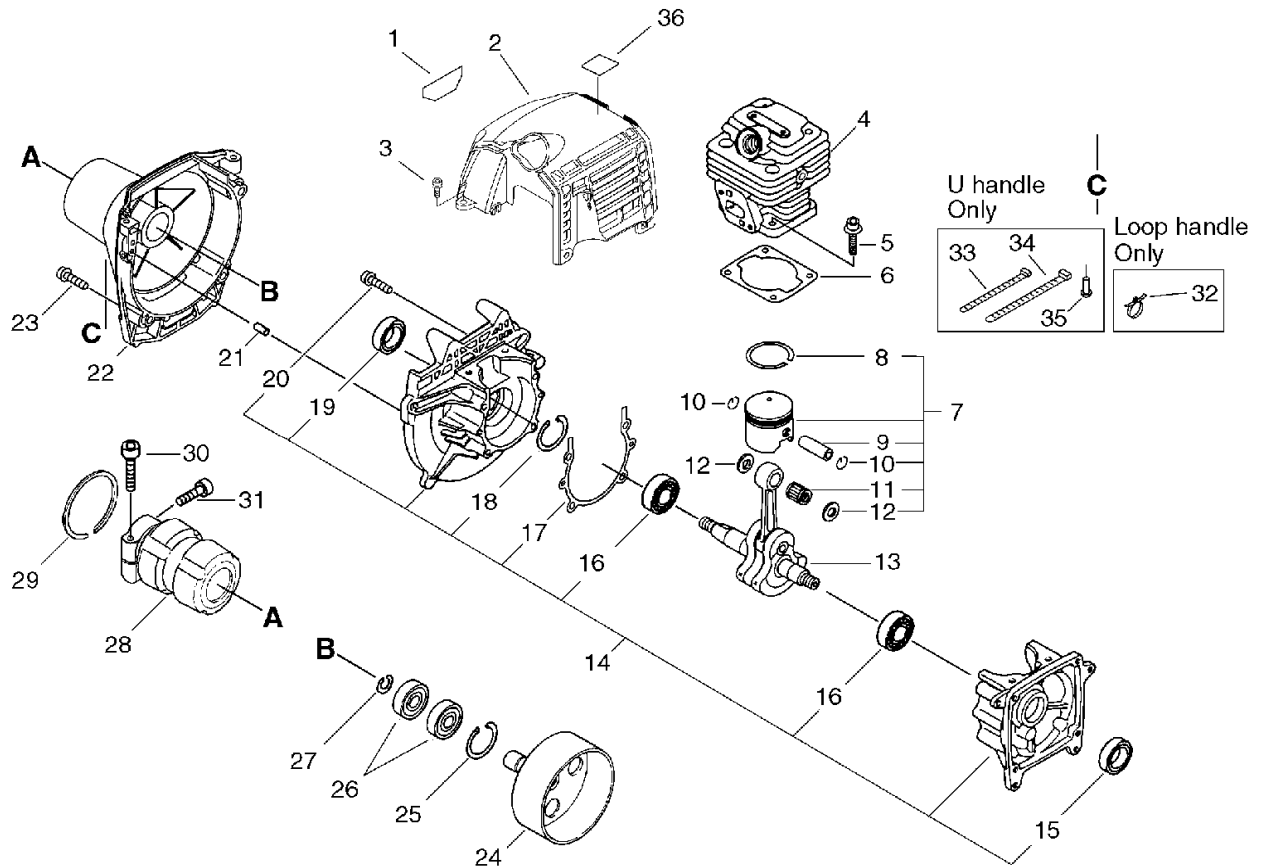
SRM-335ES(37)

1. Cylinder, Crankcase, Piston



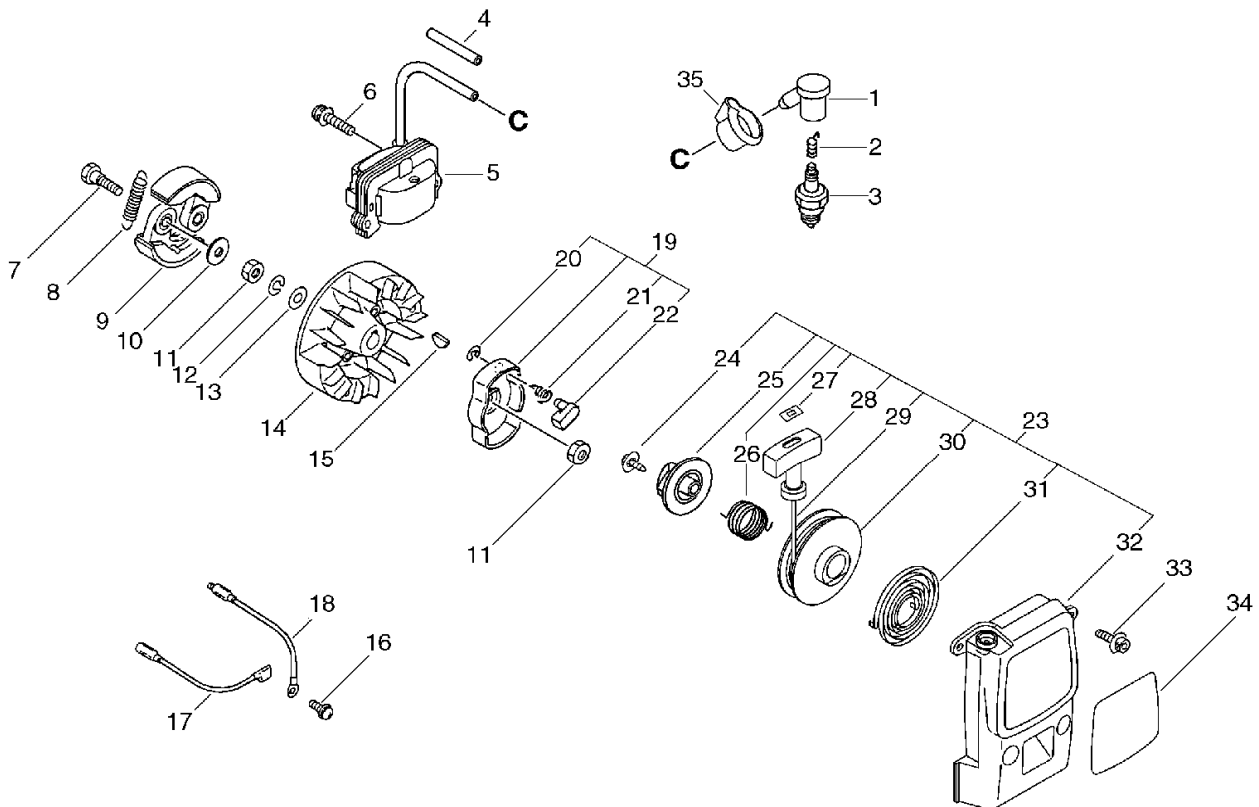
KEY	LV	PART NUMBER	Q'TY	DESCRIPTION	REMARKS	NOTE1	NOTE2
1		X547-000830	1	LABEL,ECHO	ECHO+SRM-335ES		
2		A160-000990	1	COVER,CYLINDER			
3		91121-05012	2	BOLT, FLANGE	10.9 SILVER		
4		A130-000850	1	CYLINDER			
5		V203-000170	4	BOLT,5	5*22		
6		V100-000240	1	GASKET,CYL	T:0.5		
7		P021-014030	1	PISTON KIT			
8	+	A101-000190	1	RING, PISTON	36*1.5*1.5		
9	+	100013-27430	1	PIN, PISTON			
10	+	100015-03931	2	CIRCLIP, PISTON PIN			
11	+	100012-16131	1	BEARING, NEEDLE			
12	+	100014-53630	2	SPACER, PISTON PIN			
13		A011-000301	1	CRANKSHAFT,ASM			
14		P021-014020	1	CRANKCASE KIT			
15	+	V505-000020	1	SEAL,OIL 12	12*22*7		
16	+	94035-36201	2	BEARING BALL	6201X3JR2C3		
17	+	V102-000040	1	GASKET,CRANKCASE	T:0.5		
18	+	900702-00032	1	CIRCLIP 32	CR-32		
19	+	100212-03930	1	OILSEAL	ISCX12*32*5.5		
20	+	V203-000160	4	BOLT,5	5*30		
21		100215-03930	2	PIN, DOWEL			
22		A172-000770	1	COVER,FAN			
23		91118-05020	4	BOLT	CM-5*20		
24		175005-49930	1	DRUM, CLUTCH			

1. Cylinder, Crankcase, Piston



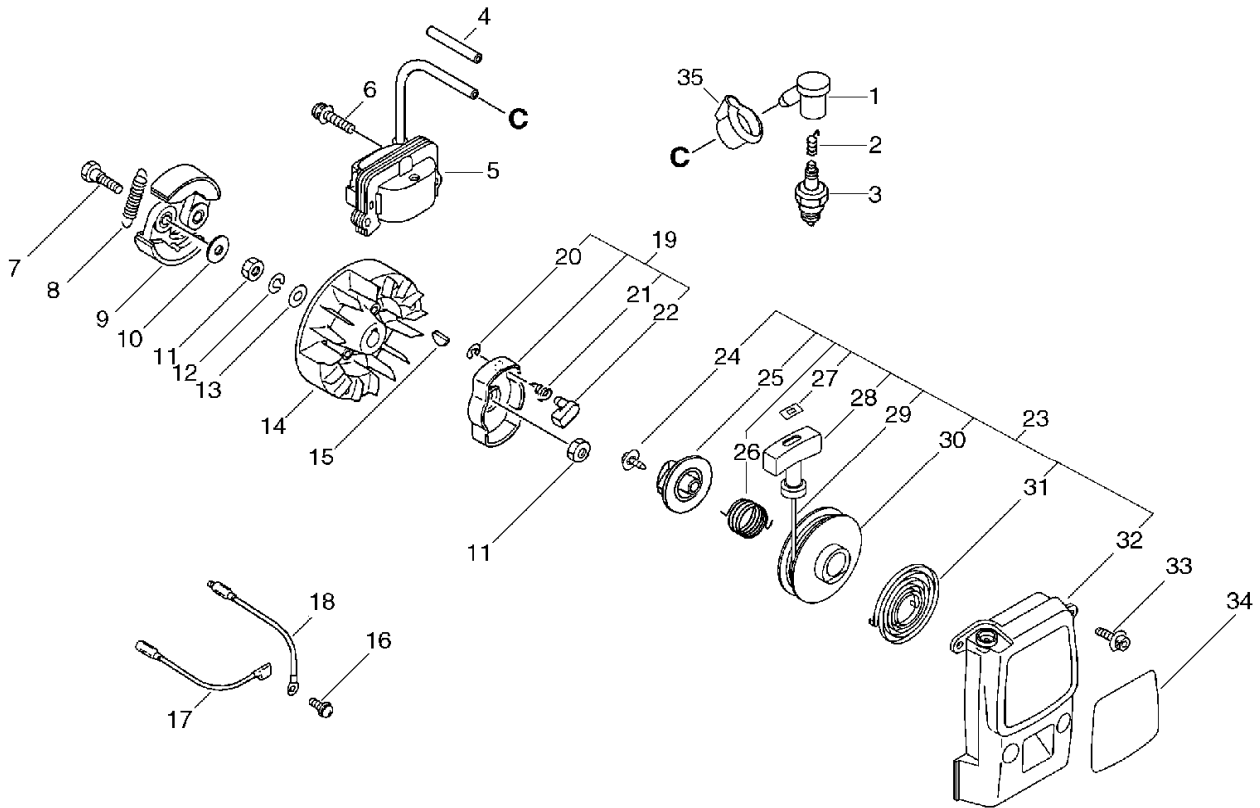
KEY	LV	PART NUMBER	Q'TY	DESCRIPTION	REMARKS	NOTE1	NOTE2
25		900702-00028	1	CIRCLIP 28	CR-28		
26		900807-06001	2	BEARING, BALL 6001	6001V(LB)		
27		900701-00012	1	CIRCLIP 12	CS-12		
28		V420-000420	1	CUSHION			
29		900702-00045	1	RING, RETAINING(IN)	CR-45		
30		91118-05028	1	BOLT	CM-5*28		
31		91118-05012	1	BOLT	CM-5*12		
32		V491-000160	1	CLIP			
33		178121-43230	1	BAND	CV-150 BL		
34		V495-000760	1	BAND	CV-250A		
35		302013-10910	1	RIVET			
36		X505-002310	1	LABEL, CAUTION	HOT CAUTION		

2. Magneto, Starter



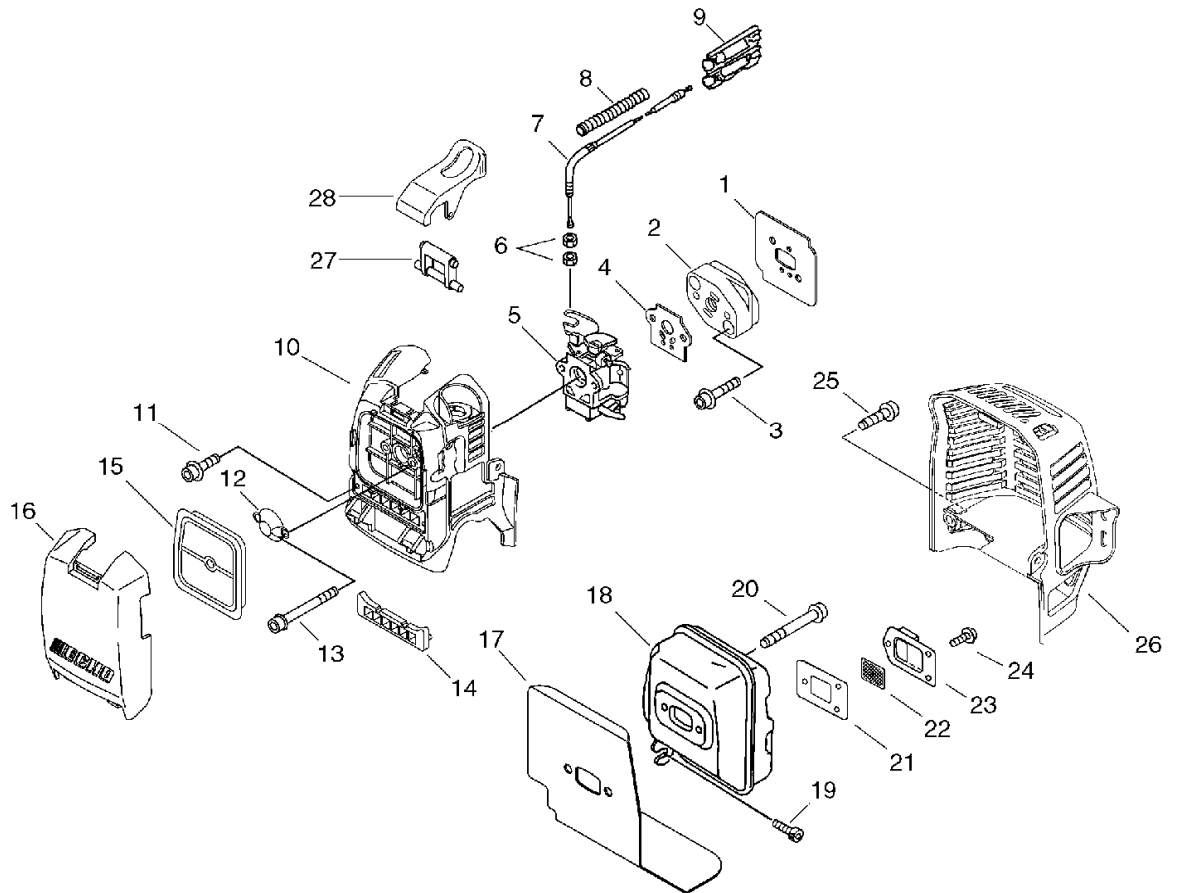
KEY	LV	PART NUMBER	Q'TY	DESCRIPTION	REMARKS	NOTE1	NOTE2
1		A427-000000	1	CAP,SPARK PLUG			
2		A426-000000	1	TERMINAL,SPARKPLUG			
3		A425-000000	1	SPARKPLUG	BPMR8Y		
4		437412-16430	1	TUBE, PROTECTOR			
5		152626-55730	1	COIL, IGNITION			
6		900162-05020	2	BOLT, H.S. 5*20	5*20 W,SW		
7		175046-46430	2	BOLT, CLUTCH			
8		A566-000010	1	SPRING, CLUTCH			
9		A553-000000	2	ARM,CLUTCH			
10		175048-05530	2	WASHER (I)	6.2*19*1.0		
11		900502-00008	2	NUT 8 (3N)	3N8		
12		900605-00008	1	WASHER, SPRING 8	8		
13		900600-00008	1	WASHER 8	8		
14		152801-55430	1	ROTOR, MAGNET			
15		100142-12330	1	KEY, WOODRUFF			
16		900238-05010	1	SCREW 5*10	5*10		
17		V485-000230	1	LEAD			
18		V485-000240	1	LEAD			
19		A052-000190	1	PULLEY,ASM STARTER			
20	+	P022-002100	2	E-RING	4		
21	+	177234-40630	2	SPRING, RETURN			
22	+	P022-006850	2	PAWL, STARTER			
23		A051-000760	1	STARTER,RECOIL			
24	+	177236-61830	1	SCREW			
25	+	P022-008460	1	PLATE, CAM			
26	+	P022-008450	1	SPRING,DAMPER			

2. Magneto, Starter



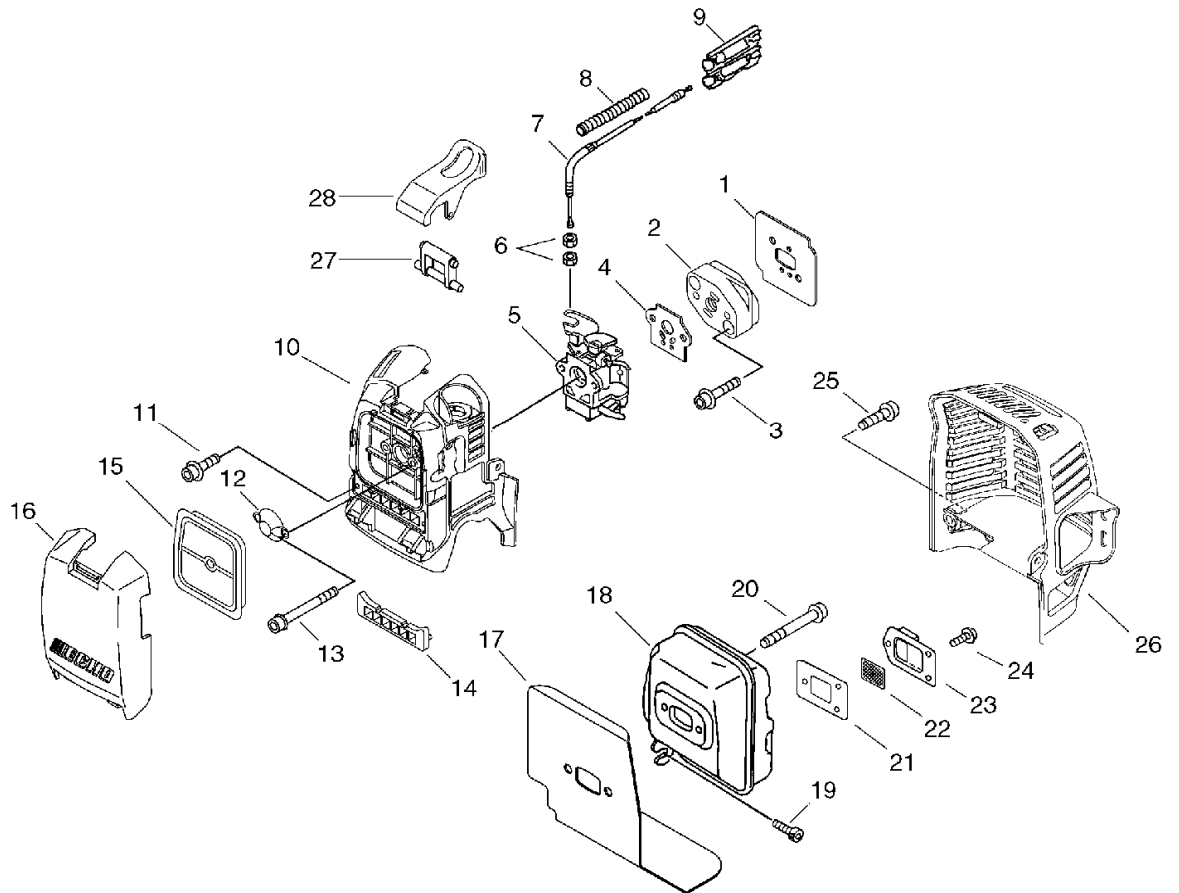
KEY	LV	PART NUMBER	Q'TY	DESCRIPTION	REMARKS	NOTE1	NOTE2
27	+	177246-11120	1	CLIP, STARTER ROPE			
28	+	177228-27030	1	GRIP, STARTER			
29	+	P022-008440	1	ROPE, STARTER	3.5*900		
30	+	P022-008470	1	DRUM			
31	+	177220-40630	1	SPRING, REWIND			
32	+	P022-008540	1	STARTER, RECOIL			
33		91121-05016	4	BOLT, FLANGE	10.9 SILVER		
34		X502-000520	1	LABEL, ECHO			
35		V141-000020	1	GROMMET, PLUG			

3. Air Cleaner, Carburetor, Muffler



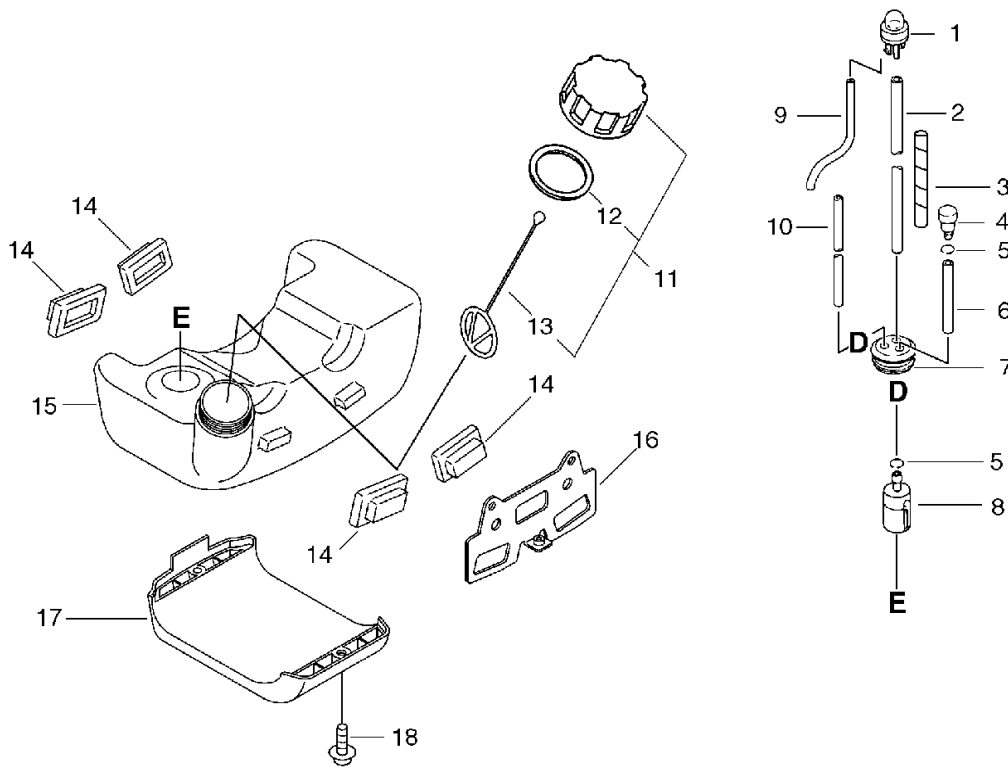
KEY	LV	PART NUMBER	Q'TY	DESCRIPTION	REMARKS	NOTE1	NOTE2
1		V103-000430	1	GASKET,INTAKE	T:0.5		
2		A200-000320	1	INSULATOR, INTAKE			
3		900162-05025	2	BOLT, H.S. 5*25	5*25 W,SW		
4		V103-000160	1	GASKET,INTAKE			
5		A021-001550	1	CARBURETOR,DIAPHRAGM	WYK/EX257		
6		900502-00006	2	NUT 6 (3N)	3N6		
7		V430-000540	1	CABLE,BOWDEN			
8		V475-002210	1	TUBE			
9		178081-55931	1	CONNECTOR,CABLE			
10		P021-014140	1	CASE, AIR CLEANER			
11		900106-05012	1	BOLT, H.S. 5*12	5*12		
12		A244-000010	1	PLATE, PREVENT			
13		900105-05060	2	BOLT, H.S. 5*60	5*60		
14		V420-000640	1	CUSHION			
15		A226-000140	1	ELEMENT,AIR FILTER			
16		A232-000151	1	LID,CLEANER			
17		V104-000890	1	GASKET,EXHAUST	T1		
18		A300-000720	1	MUFFLER, EXHAUST			
19		900106-05010	1	BOLT, H.S. 5*10			
20		900105-05020	2	BOLT, H.S. 5*20	5*20		
21		V104-000520	1	GASKET,EXHAUST			
22		145862-40630	1	SCREEN, MUFFLER			
23		A313-000900	1	GUIDE, EXHAUST			
24		91367-04010	3	SCREW	4*10/SW(SUS)		
25		91121-05012	1	BOLT, FLANGE	10.9 SILVER		
26		P021-014190	1	LID, MUFFLER			

3. Air Cleaner, Carburetor, Muffler



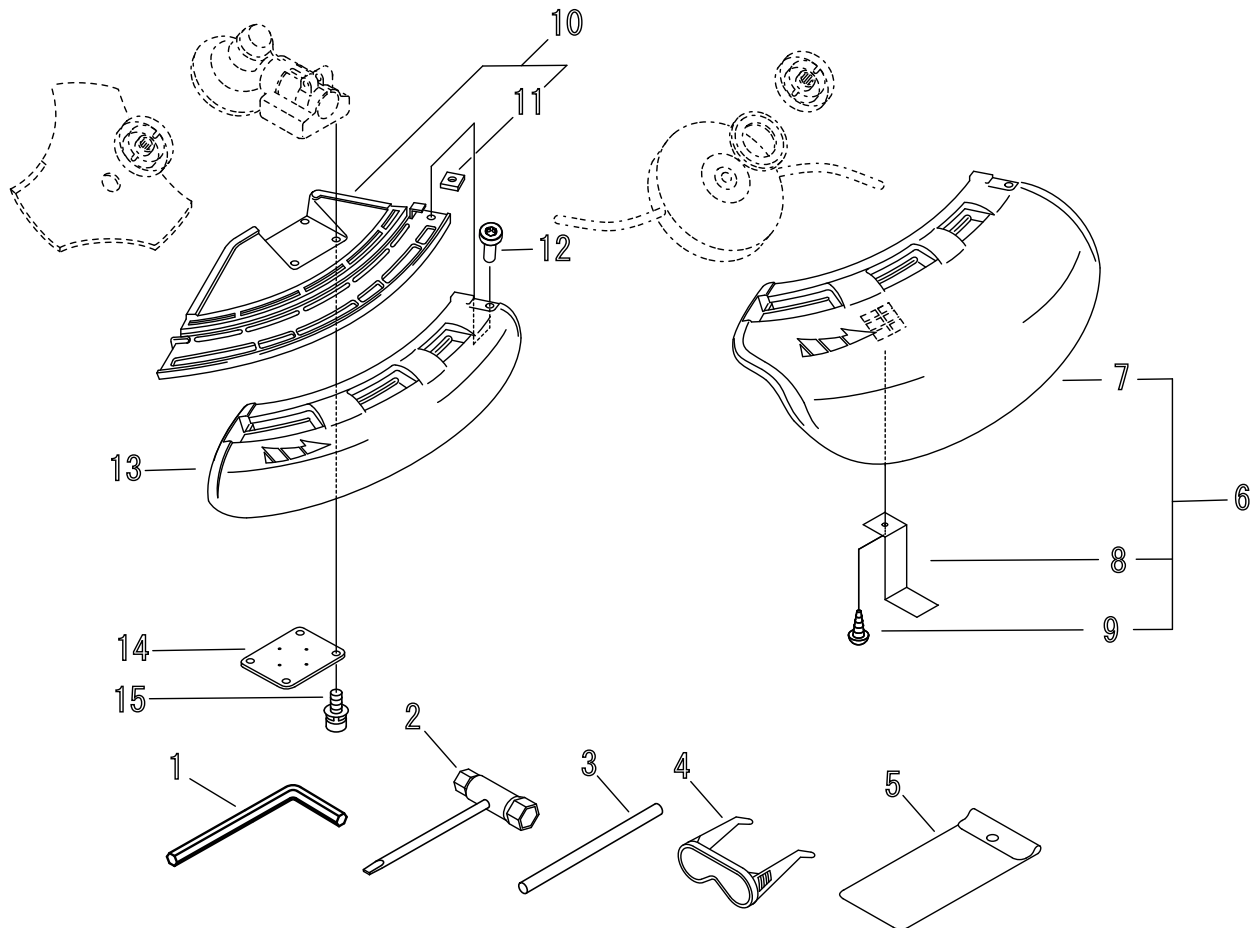
KEY	LV	PART NUMBER	Q'TY	DESCRIPTION	REMARKS	NOTE1	NOTE2
27		J485-000030	1	HINGE			
28		A235-000100	1	KNOB,CLEANER LID			

4. Fuel Tank



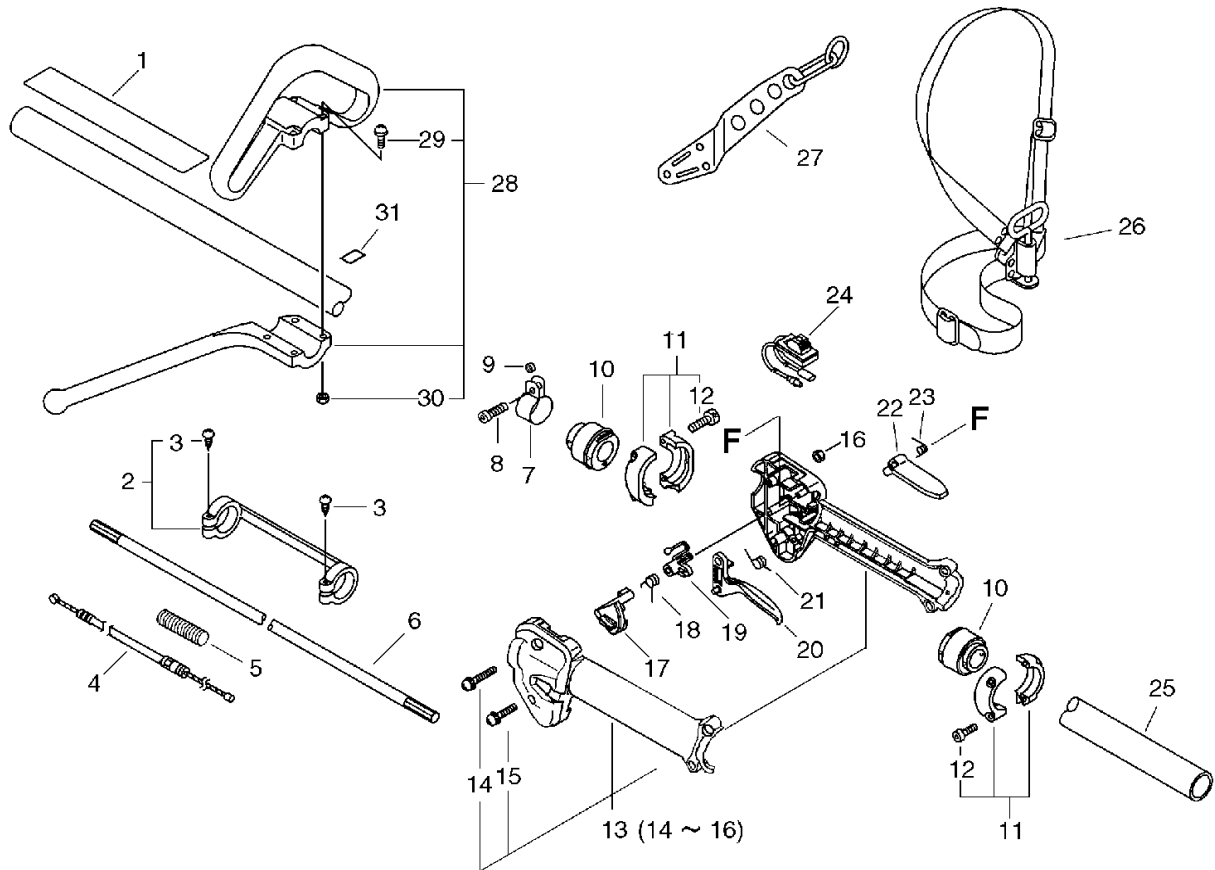
KEY	LV	PART NUMBER	Q'TY	DESCRIPTION	REMARKS	NOTE1	NOTE2
1		123181-39130	1	PUMP, PRIMER			
2		132010-22130	1	PIPE, FUEL	3*6*150L NBR		
3		V475-002240	1	TUBE			
4		131300-56430	1	VALVE, CHECK			
5		132013-26630	2	CLIP	6.5MM		
6		V471-001180	1	PIPE	3*6*35 NBR		
7		132115-55930	1	GROMMET, FUEL			
8		131205-14930	1	STRAINER, FUEL			
9		V471-000640	1	PIPE	2.38*4.76*105		
10		132010-53630	1	PIPE	3*6*180 NBR		
11		P021-012210	1	CAP, FUEL ASY			
12	+	131016-55830	1	GASKET, FUEL CAP			
13	+	A365-000060	1	CONNECTOR, CAP	L=123		
14		131920-55430	4	CUSHION, FUEL TANK			
15		A350-000200	1	TANK, FUEL			
16		A393-000060	1	BRACKET, FUEL TANK			
17		A175-000011	1	STAND			
18		91121-05016	2	BOLT, FLANGE	10.9 SILVER		

5. Shield Tools



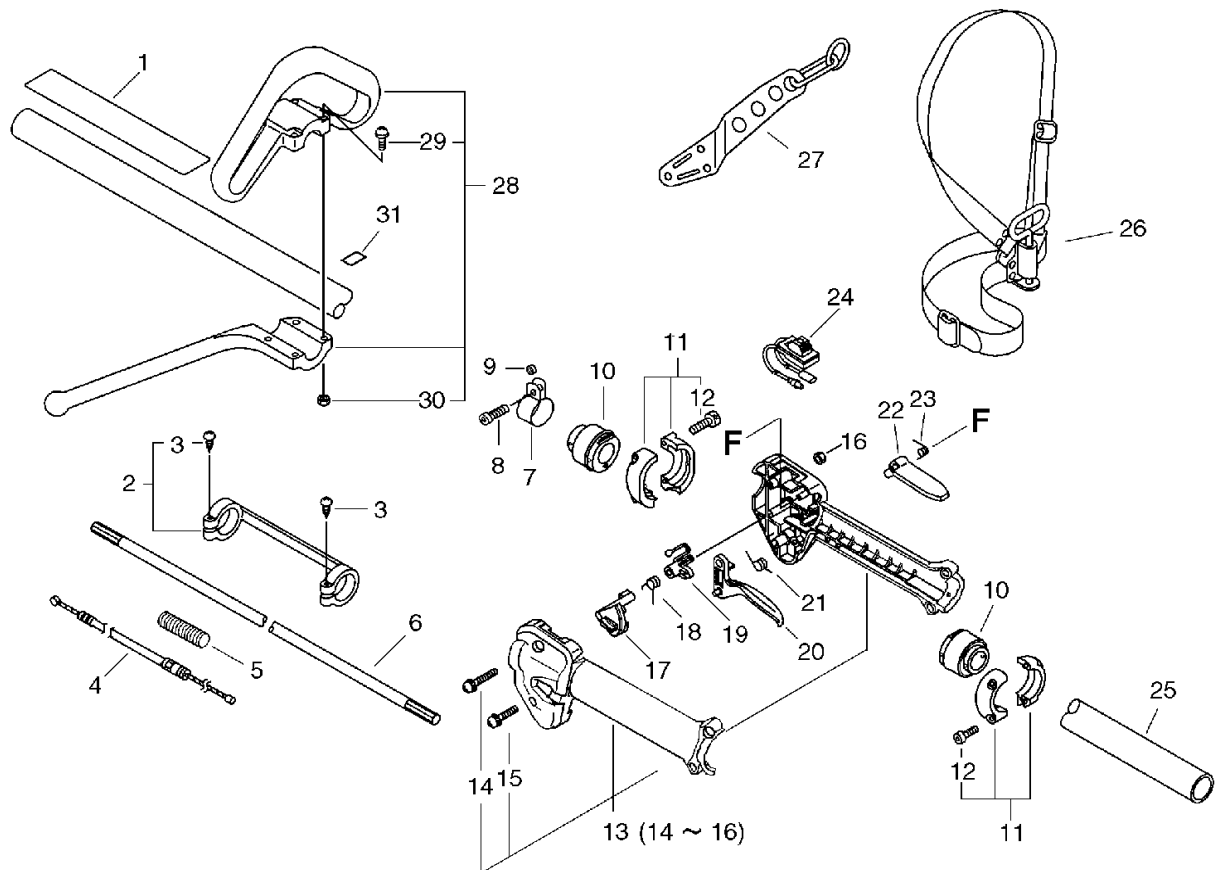
KEY	LV	PART NUMBER	Q'TY	DESCRIPTION	REMARKS	NOTE1	NOTE2
1		895610-00130	1	L-WRENCH (4MM)			
2		X602-000020	1	TOOL,WRENCH	17*19 L200		
3		897518-01131	1	LOCKING TOOL			
4		P021-002861	1	GOGGLES			
5		898510-07130	1	BAG, TOOL			
6		P021-013770	1	SHIELD KIT			
7	+	C550-000080	1	SHIELD,BLADE			
8	+	C554-000030	1	KNIFE, CORD	17INCH		
9	+	900252-05012	1	SCREW 5*12	5*12		
10		C550-000100	1	SHIELD,BLADE			
11	+	900565-00005	1	NUT	5		
12		900242-05018	1	SCREW 5*18	5*18		
13		C550-000090	1	SHIELD,BLADE			
14		699013-56830	1	PLATE, SHIELD			
15		91118-05025	4	BOLT	CM-5*25		

6. Handle



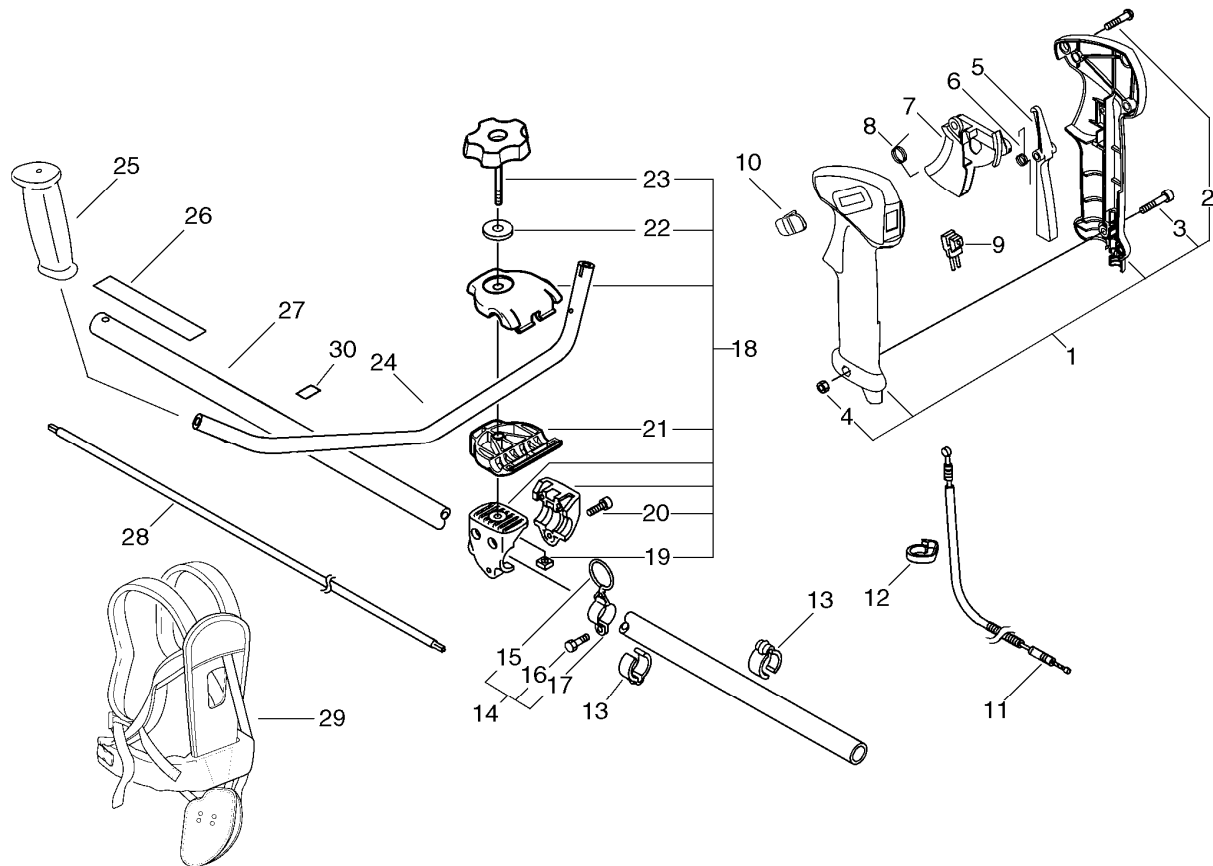
KEY	LV	PART NUMBER	Q'TY	DESCRIPTION	REMARKS	NOTE1	NOTE2
1		890617-43130	1	LABEL, CAUTION			
2		610281-42230	1	COLLER			
3	+	900253-04025	2	SCREW 4*25	4*25		
4		V430-000930	1	CABLE, BOWDEN			
5		V475-002210	1	TUBE			
6		610011-49930	1	SHAFT, DRIVE		Sus. by 610011-49931	
7		301207-07530	2	HOOK			
8		91119-05018	2	BOLT	10.9 SILVER		
9		V353-000090	2	COLLAR, 5			
10		V420-001061	2	CUSHION			
11		P021-012640	1	BRACKET ASM., HANDLE			
12	+	91118-05025	4	BOLT	CM-5*25		
13		P021-014210	1	BRACKET SET, THROTTLE			
14	+	91118-05025	3	BOLT	CM-5*25		
15	+	91118-05035	1	BOLT			
16	+	900500-00005	4	NUT 5	5		
17		C461-000010	1	LATCH, THROTTLE			
18		V452-000120	1	SPRING, TORSION			
19		C461-000000	1	LATCH, THROTTLE			
20		C450-000110	1	TRIGGER, THROTTLE			
21		V452-000200	1	SPRING, TORSION			
22		178090-52632	1	LOCKOUT, T. CONTROL			
23		178013-52630	1	SPRING, THR. LOCK			
24		A440-000530	1	SWITCH, ON OFF			
25		C050-000790	1	PIPE, MAIN	28		

6. Handle



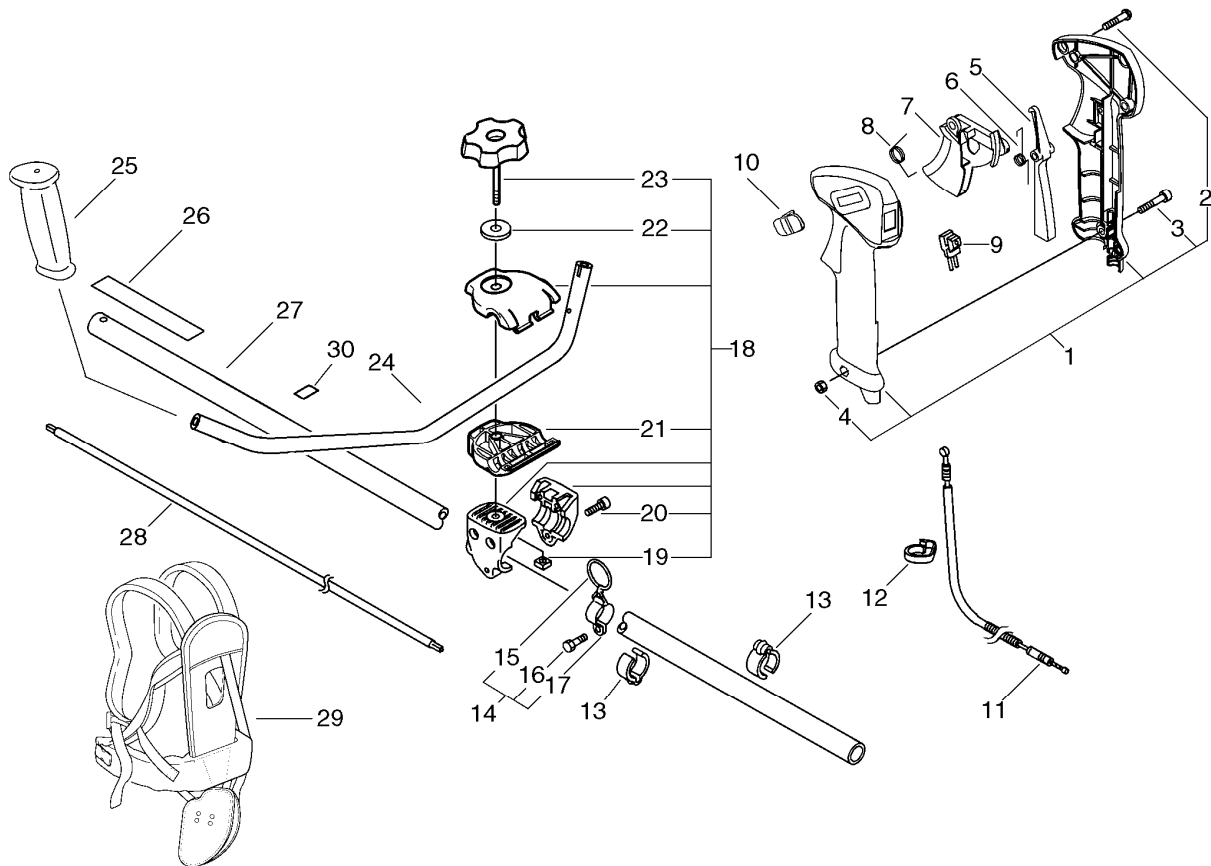
KEY	LV	PART NUMBER	Q'TY	DESCRIPTION	REMARKS	NOTE1	NOTE2
26		301000-55230	1	HARNES ASSY			
27		C624-000020	1	HANGER,HARNES			
28		P021-014200	1	HANDLE ASY, LOOP			
29	+	91118-05035	4	BOLT			
30	+	900500-00005	4	NUT 5	5		
31		890152-04930	1	LABEL, CAUTION			

7. Handle



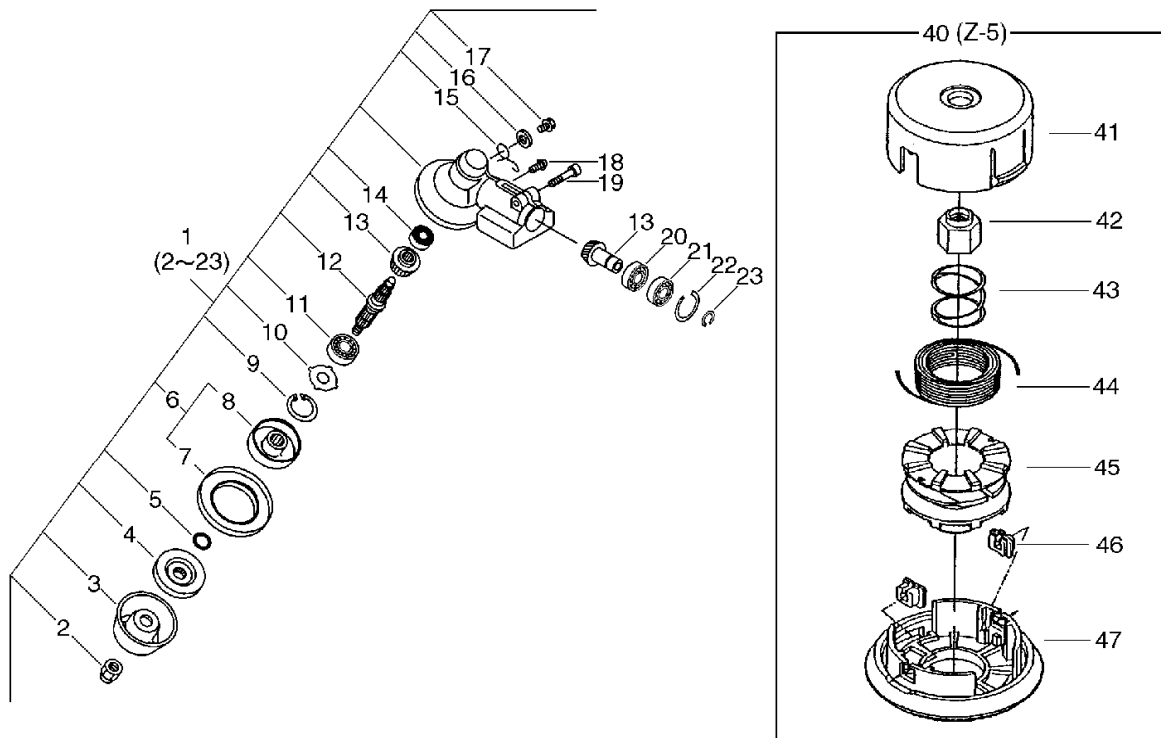
KEY	LV	PART NUMBER	Q'TY	DESCRIPTION	REMARKS	NOTE1	NOTE2
1		P021-014090	1	GRIP ASY,F-HANDLE			
2	+	900256-04016	3	SCREW 4*16	4*16		
3	+	91119-05030	1	BOLT			
4	+	900500-00005	1	NUT 5	5		
5		C460-000110	1	LOCKOUT, THROTTLE		Sus. by C460-000111	
6		V452-000350	1	SPRING,TORSION			
7		C450-000270	1	CONTROL, THROTTLE			
8		V452-000360	1	SPRING,TORSION			
9		A440-001000	1	SWITCH, ON OFF			
10		C463-000020	1	KNOB, LATCH			
11		V430-002020	1	CABLE,BOWDEN			
12		159112-09961	1	CLIP			
13		224924-52930	2	CLIP	28MM		
14		P021-012660	1	HOOK ASY			
15	+	301015-05330	1	HOOK, BAND			
16	+	91119-05012	1	BOLT	CB-5*12		
17	+	301210-04630	1	HOOK			
18		P021-002761	1	BRACKET ASY, HANDLE			
19	+	900565-50008	1	NUT	8*1.25		
20	+	91118-05030	3	BOLT			
21	+	C423-000041	1	FIXTURE,HANDLE			
22	+	605014-54230	1	WASHER			
23	+	V299-000110	1	KNOB,FASTENER			
24		C400-000211	1	HANDLE,FRONT			
25		C403-000031	1	GRIP,HANDLE			

7. Handle



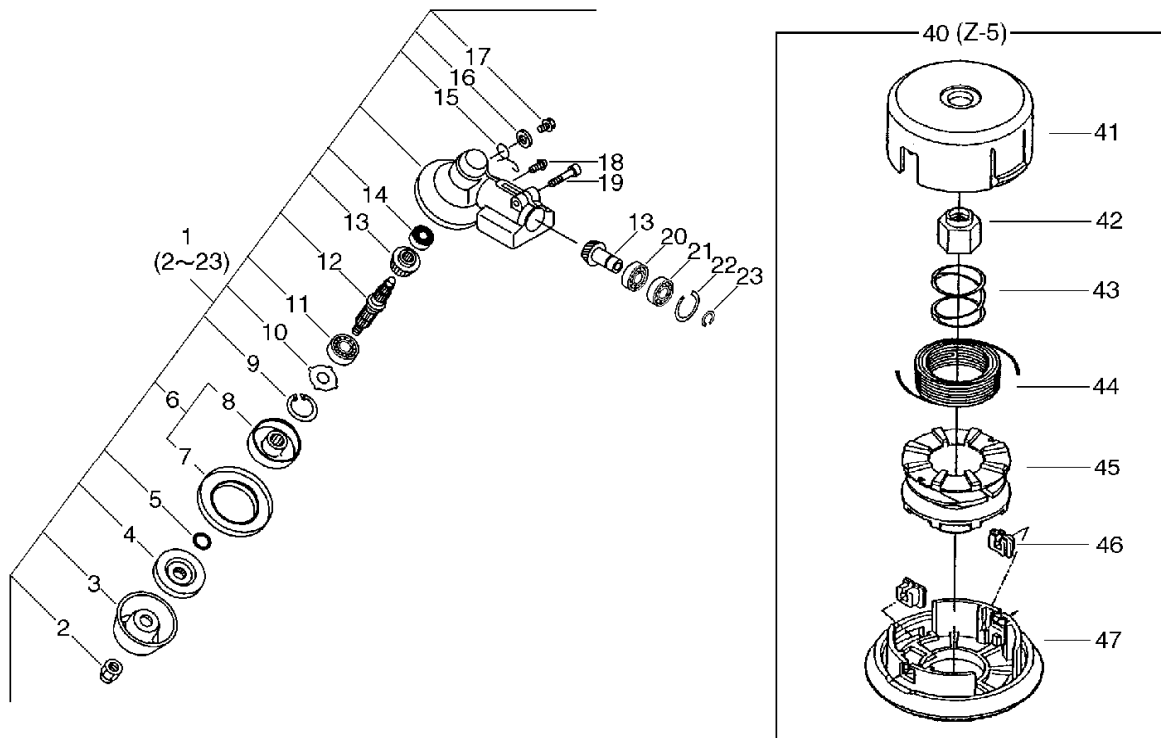
KEY	LV	PART NUMBER	Q'TY	DESCRIPTION	REMARKS	NOTE1	NOTE2
26		890617-43130	1	LABEL,CAUTION			
27		C050-000410	1	PIPE,MAIN			
28		610011-49930	1	SHAFT, DRIVE		Sus. by 610011-49931	
29		C062-000192	1	HARNES,SHOULDER			
30		890152-04930	1	LABEL, CAUTION			

8. Gear Case



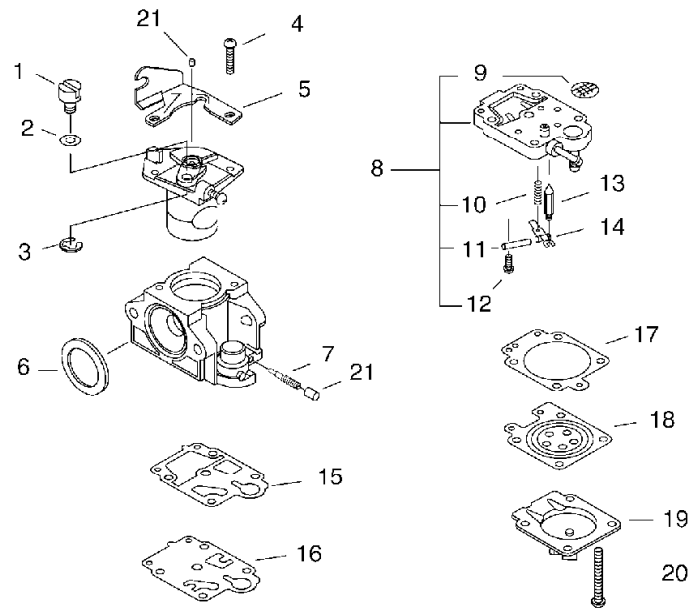
KEY	LV	PART NUMBER	Q'TY	DESCRIPTION	REMARKS	NOTE1	NOTE2
1		P021-012590	1	CASE,GEAR		Sus. by P021-012591	
2	+	610320-52130	1	NUT 10			
3	+	699229-56830	1	PLATE, COVER			
4	+	610314-52130	1	PLATE, ADAPTER (L)			
5	+	900720-00012	1	O-RING 12	P-12		
6	+	610313-52932	1	FIXTURE, BLADE			
7	++	610352-56830	1	PLATE, CUP			
8	++	610313-52132	1	FIXTURE, BLADE			
9	+	900702-00032	1	CIRCLIP 32	CR-32		
10	+	610444-56830	1	WASHER			
11	+	900812-06201	1	BEARING, BALL 6201	6201DDU(LLU)		
12	+	610310-56930	1	SHAFT, P.T.O.		Sus. by 610310-56931	
13	+	610300-56930	1	GEAR SET			
14	+	900810-00629	1	BEARING, BALL 629	629		
15	+	610473-52131	1	SPRING			
16	+	900603-50008	1	WASHER	8.5*18*0.8T		
17	+	610434-50031	1	BOLT 8*8	M8*8		
18	+	900242-05010	1	SCREW 5*10	5*10		
19	+	91118-06030	1	BOLT	CM-6*30		
20	+	900800-06001	1	BEARING, BALL 6001	6001		
21	+	900803-06001	1	BEARING, BALL 6001	6001Z		
22	+	900702-00028	1	CIRCLIP 28	CR-28		
23	+	900701-00012	1	CIRCLIP 12	CS-12		

8. Gear Case



KEY	LV	PART NUMBER	Q'TY	DESCRIPTION	REMARKS	NOTE1	NOTE2
40		X047-000320	1	CUTTER,ASM LINE	Z-5 M10 LEFT	Sus. by X047-000321	
41	+	P022-010420	1	HOUSING			
42	+	P022-010390	1	NUT			
43	+	P022-010370	1	SPRING			
44	+	P022-010380	1	NYLON CODE			
45	+	P022-010400	1	BOBBIN			
46	+	P022-000710	2	EYELET	T4		
47	+	P022-010410	1	COVER			

9. Carburetor



KEY	LV	PART NUMBER	Q'TY	DESCRIPTION	REMARKS	NOTE1	NOTE2
		A021-001550	1	CARBURETOR,DIAPHRAGM	WYK/EX257		
1	+	123172-45130	1	SWIVEL			
2	+	123149-54230	1	WASHER			
3	+	123173-07930	1	CLIP			
4	+	123114-40630	2	SCREW			
5	+	P003-000180	1	BRACKET CABLE			
6	+	123143-12110	1	RING, PACKING			
7	+	P003-001130	1	NEEDLE, HIGH SPEED			
8	+	P003-001950	1	BODY ASSEMBLY, PUMP			
9	++	123126-10631	1	SCREEN, INLET			
10	++	123122-05560	1	SPRING, METER. LEVER			
11	++	123138-03930	1	PIN, METERING LEVER			
12	++	123139-05560	1	SCREW, M. LEVER PIN			
13	++	123137-19830	1	VALVE, INLET NEEDLE			
14	++	123123-03930	1	LEVER, METERING			
15	+	P003-000100	1	GASKET, PUMP			
16	+	123112-40630	1	DIAPHRAGM, PUMP			
17	+	123140-27230	1	GASKET, M. DIAPHRAGM			
18	+	P003-001850	1	DIAPHRAGM, METERING			
19	+	123142-03930	1	COVER, M. DIAPHRAGM			
20	+	123144-44330	4	SCREW			
21	+	P003-001940	2	WALBRO 88-265			

Index

Patrs Number	Key No.	Patrs Number	Key No.	Patrs Number	Key No.
100012-16131	1 - 11	301015-05330	7 - 15	900605-00008	2 - 12
100013-27430	1 - 9	301207-07530	6 - 7	900701-00012	1 - 27
100014-53630	1 - 12	301210-04630	7 - 17	900701-00012	8 - 23
100015-03931	1 - 10	302013-10910	1 - 35	900702-00028	1 - 25
100142-12330	2 - 15	437412-16430	2 - 4	900702-00028	8 - 22
100212-03930	1 - 19	605014-54230	7 - 22	900702-00032	1 - 18
100215-03930	1 - 21	610011-49930	6 - 6	900702-00032	8 - 9
123112-40630	9 - 16	610011-49930	7 - 28	900702-00045	1 - 29
123114-40630	9 - 4	610281-42230	6 - 2	900720-00012	8 - 5
123122-05560	9 - 10	610300-56930	8 - 13	900800-06001	8 - 20
123123-03930	9 - 14	610310-56930	8 - 12	900803-06001	8 - 21
123126-10631	9 - 9	610313-52132	8 - 8	900807-06001	1 - 26
123137-19830	9 - 13	610313-52932	8 - 6	900810-00629	8 - 14
123138-03930	9 - 11	610314-52130	8 - 4	900812-06201	8 - 11
123139-05560	9 - 12	610320-52130	8 - 2	91118-05012	1 - 31
123140-27230	9 - 17	610352-56830	8 - 7	91118-05020	1 - 23
123142-03930	9 - 19	610434-50031	8 - 17	91118-05025	5 - 15
123143-12110	9 - 6	610444-56830	8 - 10	91118-05025	6 - 12
123144-44330	9 - 20	610473-52131	8 - 15	91118-05025	6 - 14
123149-54230	9 - 2	699013-56830	5 - 14	91118-05028	1 - 30
123172-45130	9 - 1	699229-56830	8 - 3	91118-05030	7 - 20
123173-07930	9 - 3	890152-04930	6 - 31	91118-05035	6 - 15
123181-39130	4 - 1	890152-04930	7 - 30	91118-05035	6 - 29
131016-55830	4 - 12	890617-43130	6 - 1	91118-06030	8 - 19
131205-14930	4 - 8	890617-43130	7 - 26	91119-05012	7 - 16
131300-56430	4 - 4	895610-00130	5 - 1	91119-05018	6 - 8
131920-55430	4 - 14	897518-01131	5 - 3	91119-05030	7 - 3
132010-22130	4 - 2	898510-07130	5 - 5	91121-05012	1 - 3
132010-53630	4 - 10	900105-05020	3 - 20	91121-05012	3 - 25
132013-26630	4 - 5	900105-05060	3 - 13	91121-05016	2 - 33
132115-55930	4 - 7	900106-05010	3 - 19	91121-05016	4 - 18
145862-40630	3 - 22	900106-05012	3 - 11	91367-04010	3 - 24
152626-55730	2 - 5	900162-05020	2 - 6	94035-36201	1 - 16
152801-55430	2 - 14	900162-05025	3 - 3	A011-000301	1 - 13
159112-09961	7 - 12	900238-05010	2 - 16	A021-001550	3 - 5
175005-49930	1 - 24	900242-05010	8 - 18	A021-001550	9 -
175046-46430	2 - 7	900242-05018	5 - 12	A051-000760	2 - 23
175048-05530	2 - 10	900252-05012	5 - 9	A052-000190	2 - 19
177220-40630	2 - 31	900253-04025	6 - 3	A101-000190	1 - 8
177228-27030	2 - 28	900256-04016	7 - 2	A130-000850	1 - 4
177234-40630	2 - 21	900500-00005	6 - 16	A160-000990	1 - 2
177236-61830	2 - 24	900500-00005	6 - 30	A172-000770	1 - 22
177246-11120	2 - 27	900500-00005	7 - 4	A175-000011	4 - 17
178013-52630	6 - 23	900502-00006	3 - 6	A200-000320	3 - 2
178081-55931	3 - 9	900502-00008	2 - 11	A226-000140	3 - 15
178090-52632	6 - 22	900565-00005	5 - 11	A232-000151	3 - 16
178121-43230	1 - 33	900565-50008	7 - 19	A235-000100	3 - 28
224924-52930	7 - 13	900600-00008	2 - 13	A244-000010	3 - 12
301000-55230	6 - 26	900603-50008	8 - 16	A300-000720	3 - 18

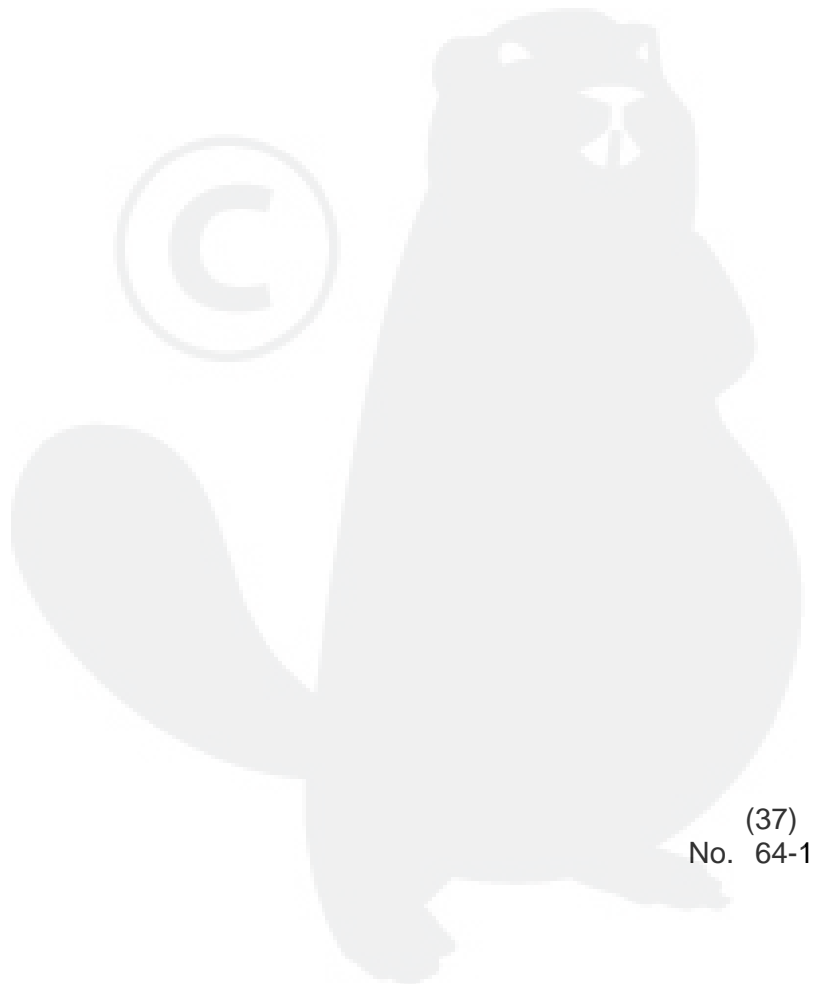
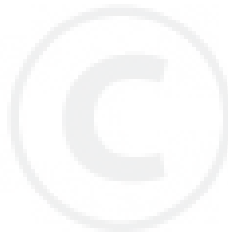
Index

Patrs Number	Key No.	Patrs Number	Key No.	Patrs Number	Key No.
A313-000900	3 - 23	P022-000710	8 - 46	X602-000020	5 - 2
A350-000200	4 - 15	P022-002100	2 - 20		
A365-000060	4 - 13	P022-006850	2 - 22		
A393-000060	4 - 16	P022-008440	2 - 29		
A425-000000	2 - 3	P022-008450	2 - 26		
A426-000000	2 - 2	P022-008460	2 - 25		
A427-000000	2 - 1	P022-008470	2 - 30		
A440-000530	6 - 24	P022-008540	2 - 32		
A440-001000	7 - 9	P022-010370	8 - 43		
A553-000000	2 - 9	P022-010380	8 - 44		
A566-000010	2 - 8	P022-010390	8 - 42		
C050-000410	7 - 27	P022-010400	8 - 45		
C050-000790	6 - 25	P022-010410	8 - 47		
C062-000192	7 - 29	P022-010420	8 - 41		
C400-000211	7 - 24	V100-000240	1 - 6		
C403-000031	7 - 25	V102-000040	1 - 17		
C423-000041	7 - 21	V103-000160	3 - 4		
C450-000110	6 - 20	V103-000430	3 - 1		
C450-000270	7 - 7	V104-000520	3 - 21		
C460-000110	7 - 5	V104-000890	3 - 17		
C461-000000	6 - 19	V141-000020	2 - 35		
C461-000010	6 - 17	V203-000160	1 - 20		
C463-000020	7 - 10	V203-000170	1 - 5		
C550-000080	5 - 7	V299-000110	7 - 23		
C550-000090	5 - 13	V353-000090	6 - 9		
C550-000100	5 - 10	V420-000420	1 - 28		
C554-000030	5 - 8	V420-000640	3 - 14		
C624-000020	6 - 27	V420-001061	6 - 10		
J485-000030	3 - 27	V430-000540	3 - 7		
P003-000100	9 - 15	V430-000930	6 - 4		
P003-000180	9 - 5	V430-002020	7 - 11		
P003-001130	9 - 7	V452-000120	6 - 18		
P003-001850	9 - 18	V452-000200	6 - 21		
P003-001940	9 - 21	V452-000350	7 - 6		
P003-001950	9 - 8	V452-000360	7 - 8		
P021-002761	7 - 18	V471-000640	4 - 9		
P021-002861	5 - 4	V471-001180	4 - 6		
P021-012210	4 - 11	V475-002210	3 - 8		
P021-012590	8 - 1	V475-002210	6 - 5		
P021-012640	6 - 11	V475-002240	4 - 3		
P021-012660	7 - 14	V485-000230	2 - 17		
P021-013770	5 - 6	V485-000240	2 - 18		
P021-014020	1 - 14	V491-000160	1 - 32		
P021-014030	1 - 7	V495-000760	1 - 34		
P021-014090	7 - 1	V505-000020	1 - 15		
P021-014140	3 - 10	X047-000320	8 - 40		
P021-014190	3 - 26	X502-000520	2 - 34		
P021-014200	6 - 28	X505-002310	1 - 36		
P021-014210	6 - 13	X547-000830	1 - 1		

YAMABIKO CORPORATION

7-2 SUEHIROCHO 1-CHOME, OHME, TOKYO 198-8760, JAPAN
PHONE: 81-428-32-6118. FAX: 81-428-32-6145.

ECHO®



(37)
No. 64-125