



PARTS CATALOG

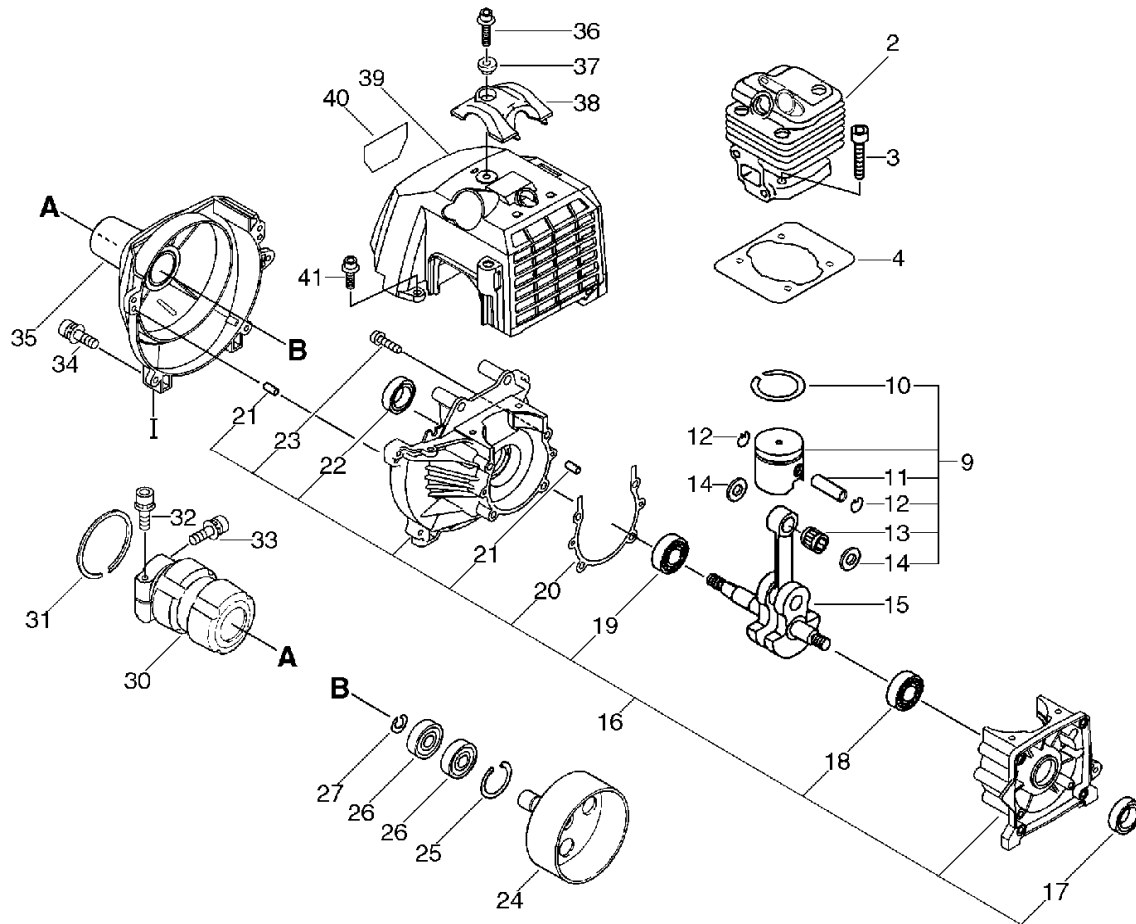
GRASS-TRIMMER / BRUSHCUTTER

SRM-410ES(36)

- 36004655

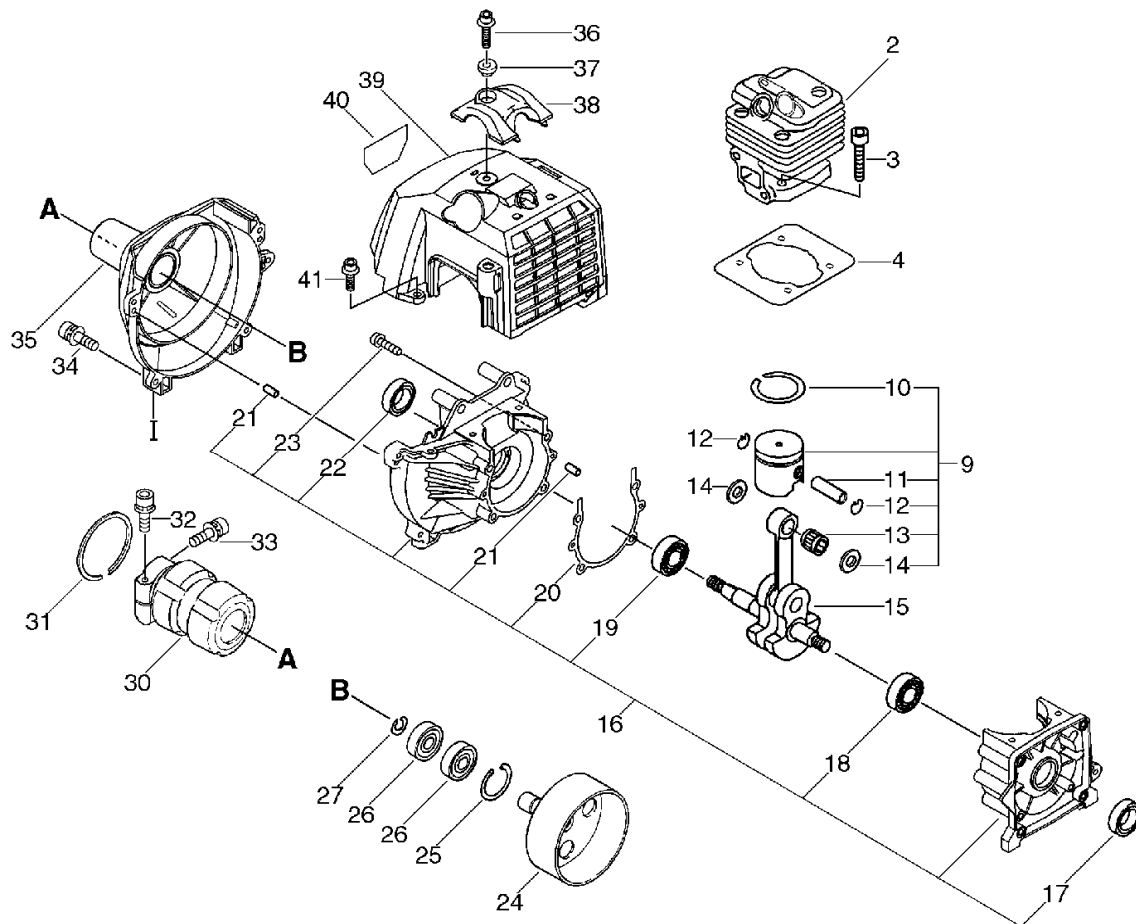
SRM-410ES(36)

1. Cylinder, Crankcase, Piston



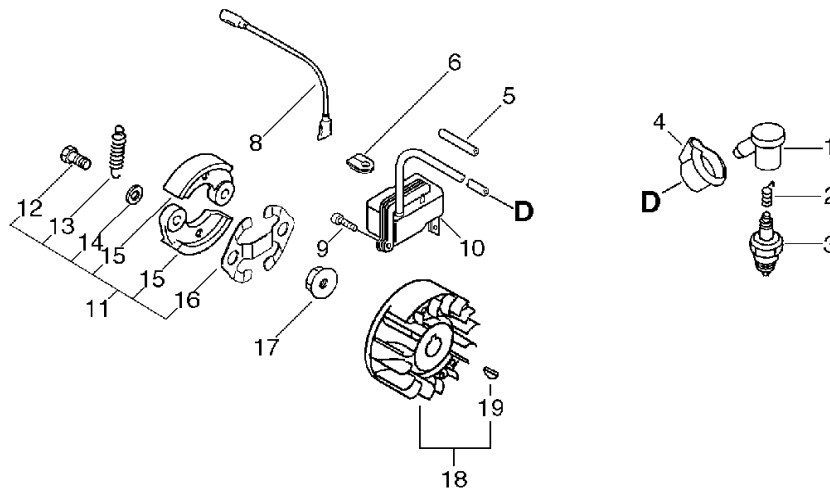
KEY	LV	PART NUMBER	Q'TY	DESCRIPTION	REMARKS	NOTE1	NOTE2
2		A130-000870	1	CYLINDER			
3		900162-05020	4	BOLT, H.S. 5*20	5*20 W,SW		
4		V100-000040	1	GASKET,CYL			
9		P021-014260	1	PISTON KIT			
10	+	100011-10530	1	RING, PISTON			
11	+	V608-000000	1	PIN,ENG 10			
12	+	V580-000010	2	RING,END	φ0.8		
13	+	100012-12331	1	BEARING, NEEDLE			
14	+	V307-000060	2	WASHER,CIRCULAR 10			
15		A011-000120	1	CRANKSHAFT,ASM			
16		P021-002471	1	CRANKCASE SET			
17	+	100213-05530	1	OILSEAL	ISCD 12 22 7		
18	+	94035-36201	1	BEARING BALL	6201X3JR2C3		
19	+	900810-36202	1	BEARING, BALL 6202	6202/C3		
20	+	V102-000001	1	GASKET,CRANKCASE			
21	+	100215-03930	4	PIN, DOWEL			
22	+	100213-00310	1	OILSEAL	ISCD 15 25 7		
23	+	900162-05035	4	BOLT, H.S. 5*35	5*35 W,SW		
24		A556-000181	1	DRUM,CLUTCH			
25		900702-00028	1	CIRCLIP 28	CR-28		
26		900807-06001	2	BEARING, BALL 6001	6001V(LB)		
27		900701-00012	1	CIRCLIP 12	CS-12		
30		V420-000980	1	CUSHION			
31		900702-00045	1	RING, RETAINING(IN)	CR-45		
32		91118-05028	1	BOLT	CM-5*28		
33		91118-05012	1	BOLT	CM-5*12		

1. Cylinder, Crankcase, Piston



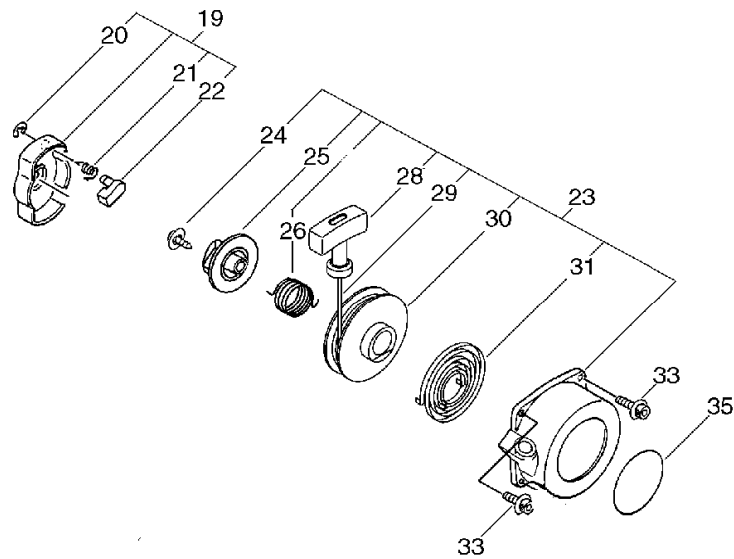
KEY	LV	PART NUMBER	Q'TY	DESCRIPTION	REMARKS	NOTE1	NOTE2
34		91118-05020	4	BOLT	CM-5*20		
35		A172-000150	1	COVER,FAN			
36		91121-05020	1	BOLT, FLANGE	10.9 SILVER		
37		V353-000020	1	COLLAR,5	12*5.5*4.5L		
38		A162-000020	1	GUARD, TOP			
39		A160-000241	1	COVER, CYLINDER			
40		X547-001390	1	LABEL, ECHO	ECHO+SRM-410ES		
41		91121-05012	1	BOLT, FLANGE	10.9 SILVER		

2. Magneto,Clutch



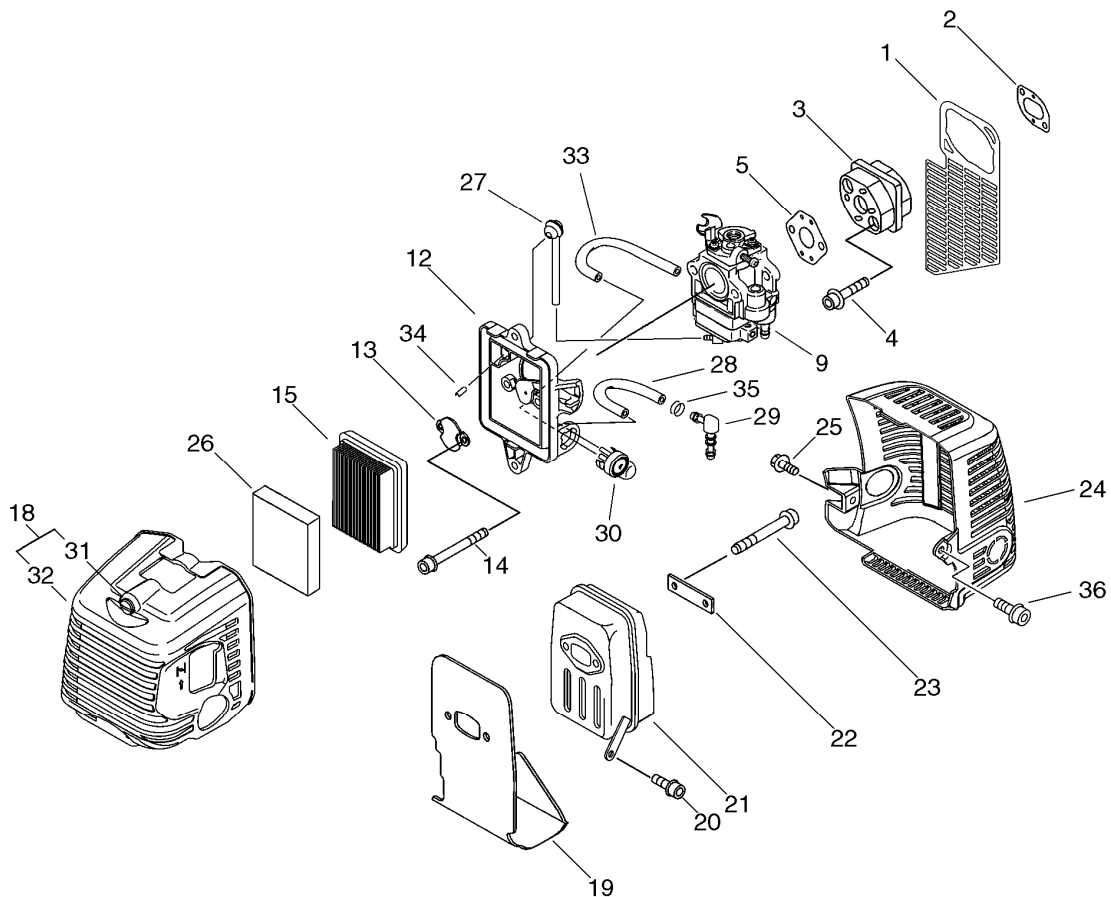
KEY	LV	PART NUMBER	Q'TY	DESCRIPTION	REMARKS	NOTE1	NOTE2
1		A427-000000	1	CAP, SPARK PLUG			
2		A426-000000	1	TERMINAL, SPARK PLUG			
3		159017-31730	1	PLUG, SPARK RCJ-6Y	RCJ-6Y		
4		V141-000020	1	GROMMET, PLUG			
5		V475-001610	1	TUBE	7*8.6*55 HST-10		
6		156114-04920	1	GROMMET			
8		162010-55630	1	LEAD, GROUND	170L		
9		900162-05020	2	BOLT, H.S. 5*20	5*20 W, SW		
10		A411-000050	1	COIL, IGNITION			
11		P021-008190	1	CLUTCH ASY			
12	+	A557-000000	2	SHAFT, CLUTCH			
13	+	V451-000480	1	SPRING, TENSION			
14	+	175048-03920	2	WASHER			
15	+	A553-000040	2	ARM, CLUTCH			
16	+	V453-000070	1	SPRING, FLAT			
17		900519-00010	1	NUT, FLANGE 10	10*1.25		
18		P021-005911	1	ROTOR, MAGNETO KIT			
19	+	900323-03014	1	KEY WOODRUFF	3*14		

3. Recoil Starter



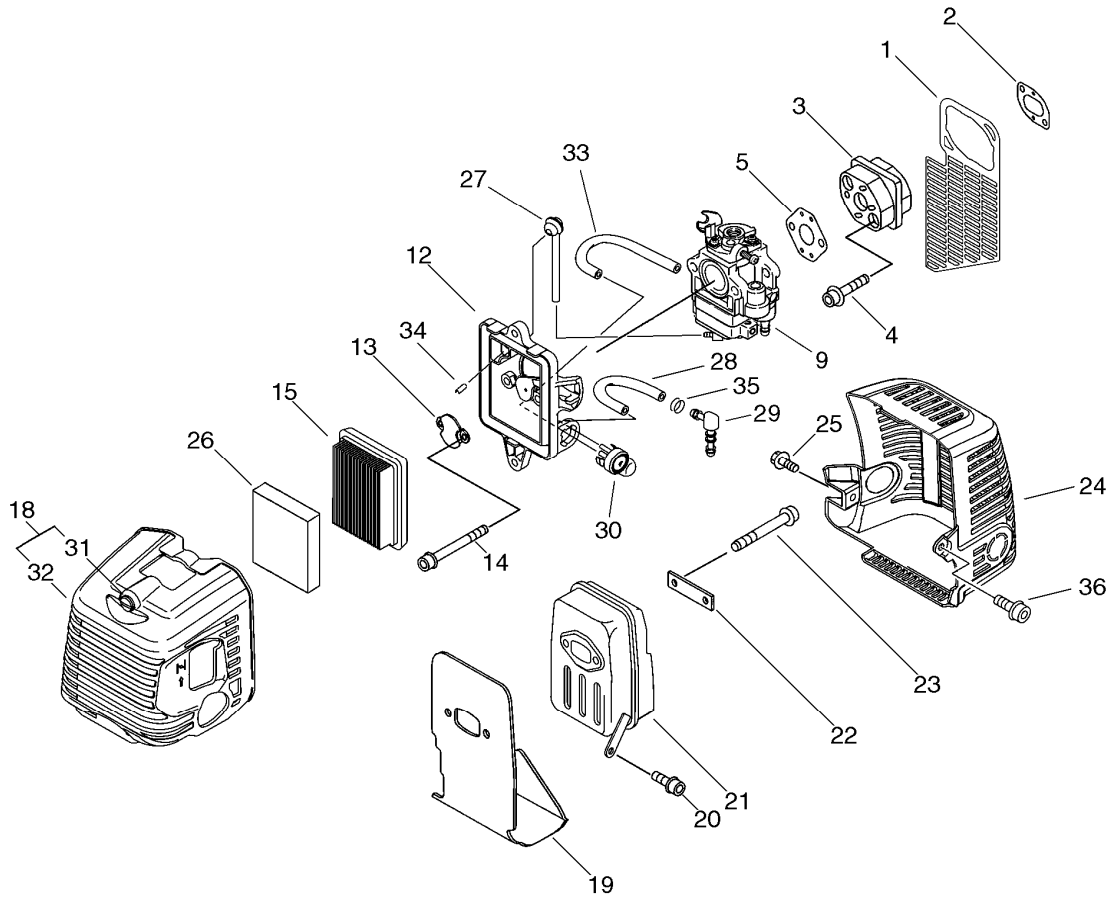
KEY	LV	PART NUMBER	Q'TY	DESCRIPTION	REMARKS	NOTE1	NOTE2
19		A052-000230	1	PULLEY,ASM STARTER			
20	+	P022-002100	2	E-RING	4		
21	+	P022-003130	2	SPRING, RETURN			
22	+	P022-023090	2	PAWL, STARTER			
23		A051-001350	1	STARTER,RECOIL ASY			
24	+	P022-023110	1	SCREW			
25	+	P022-023130	1	PLATE, CAM			
26	+	P022-023120	1	SPRING,DAMPER			
28	+	177228-27030	1	GRIP, STARTER			
29	+	P022-023100	1	ROPE, STARTER			
30	+	P022-023140	1	DRUM, STARTER			
31	+	P022-004680	1	SPRING, SPIRAL			
33		91121-05020	1	BOLT, FLANGE	10.9 SILVER		
35		X502-000460	1	LABEL,ECHO			

4. AIR CLEANER, CARBURETOR, MUFFLER



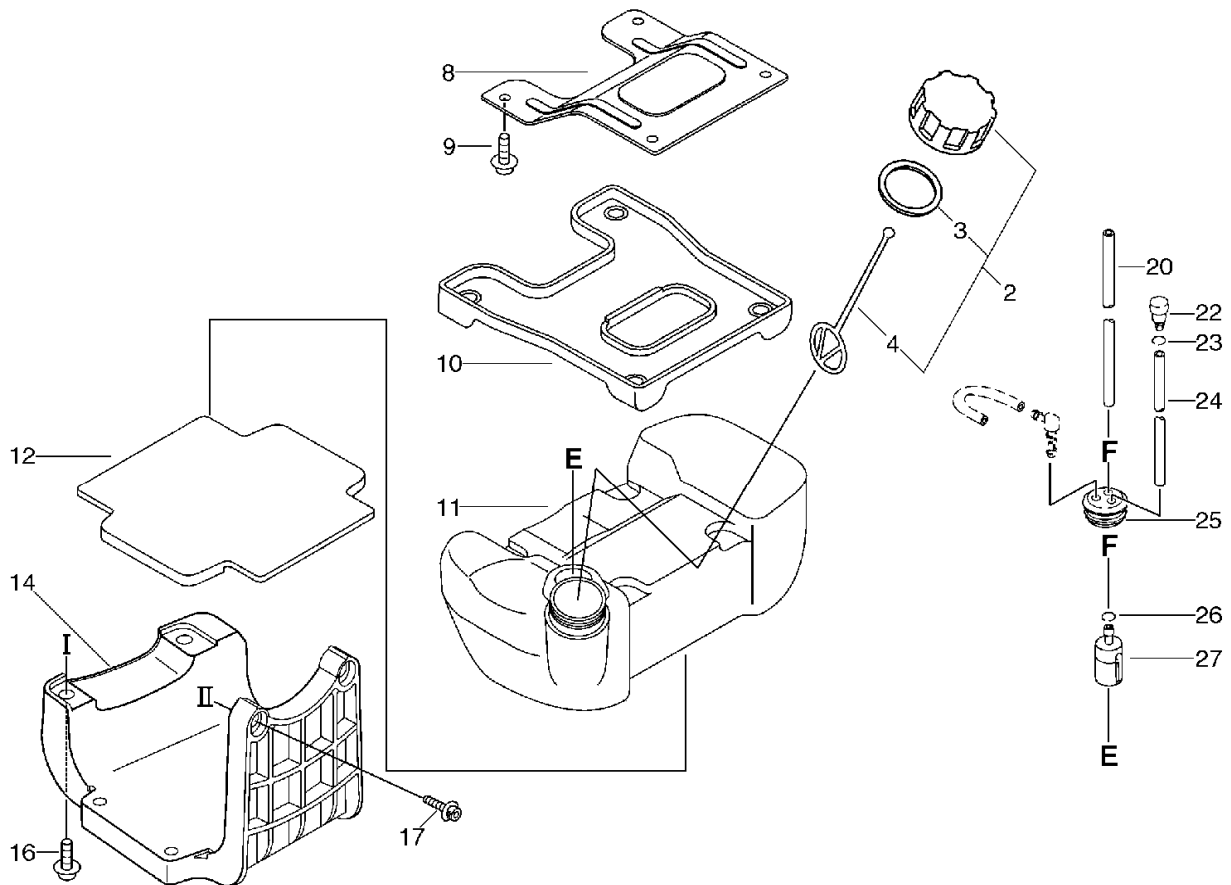
KEY	LV	PART NUMBER	Q'TY	DESCRIPTION	REMARKS	NOTE1	NOTE2
1		A128-000060	1	PLATE,DUST			
2		V103-000070	1	GASKET,INTAKE			
3		A200-000060	1	INSULATOR,INTAKE			
4		900106-05025	2	BOLT, H.S. 5*25	5*25		
5		V103-000080	1	GASKET,INTAKE			
9		A021-001171	1	CARBURETOR,DIAPHRAGM	WYK-226A		
12		P021-009590	1	CASE, AIR CLEANER			
13		A244-000010	1	PLATE,PREVENT			
14		900105-05055	2	BOLT, H.S. 5*55	5*55		
15		A226-000360	1	ELEMENT, AIR FILTER	AFP-2010K-300		
18		P021-009600	1	LID,CLEANER ASY			
31	+	V253-000100	2	SCREW,5	5*20		
32	+	A232-000320	1	LID,CLEANER			
19		V104-000210	1	GASKET,EXHAUST			
20		900162-05012	1	BOLT, H.S. 5*12	5*12 W,SW		
21		P021-008900	1	MUFFLER ASY			
22		V150-000550	1	PLATE,EYE			
23		900105-06060	2	BOLT, H.S. 6*60	6*60		
24		A320-000080	1	COVER,MUFFLER			
25		91121-05012	1	BOLT, FLANGE	10.9 SILVER		
27		132012-39331	1	PIPE	3*6*105		
28		437215-20760	1	PIPE 3*6*60	3*6*60 YL		
29		V186-000080	1	JOINT,PIPE			
30		123181-39130	1	PUMP, PRIMER			
33		V471-001560	1	PIPE	2.4*5*80		

4. AIR CLEANER, CARBURETOR, MUFFLER



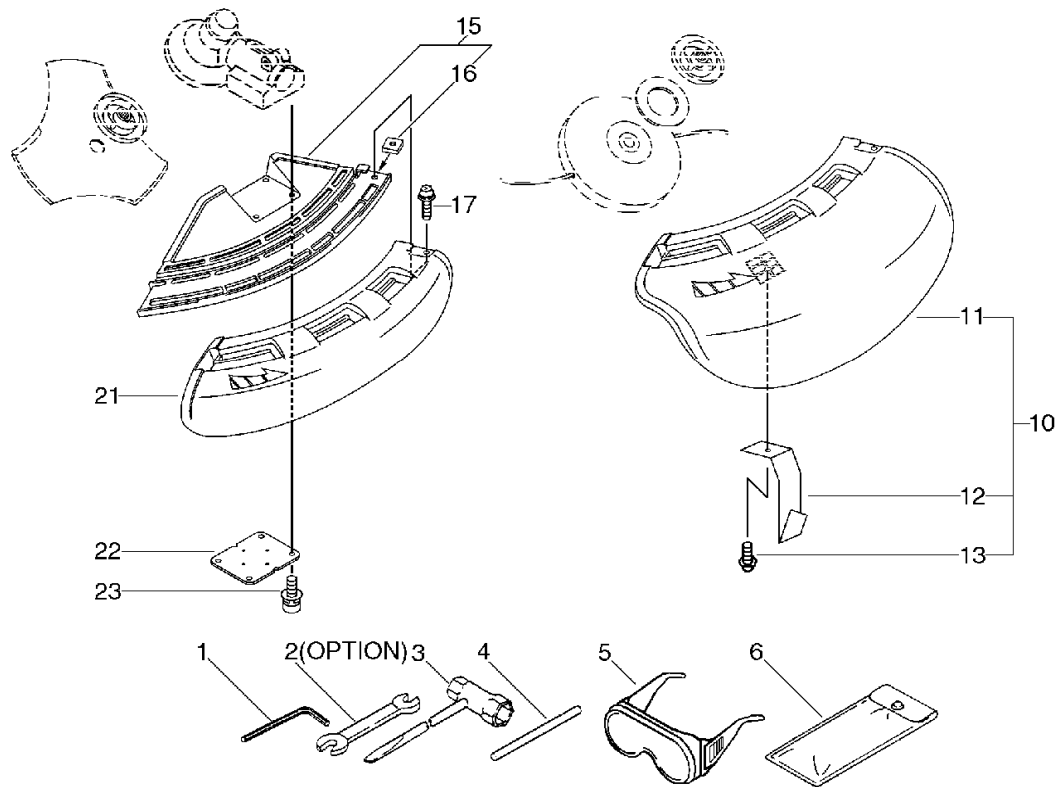
KEY	LV	PART NUMBER	Q'TY	DESCRIPTION	REMARKS	NOTE1	NOTE2
34		A239-000050	1	PIPE, INTAKE			
35		132013-26630	1	CLIP	6.5MM		
36		91121-05020	1	BOLT, FLANGE	10.9 SILVER		

5. Fuel Tank



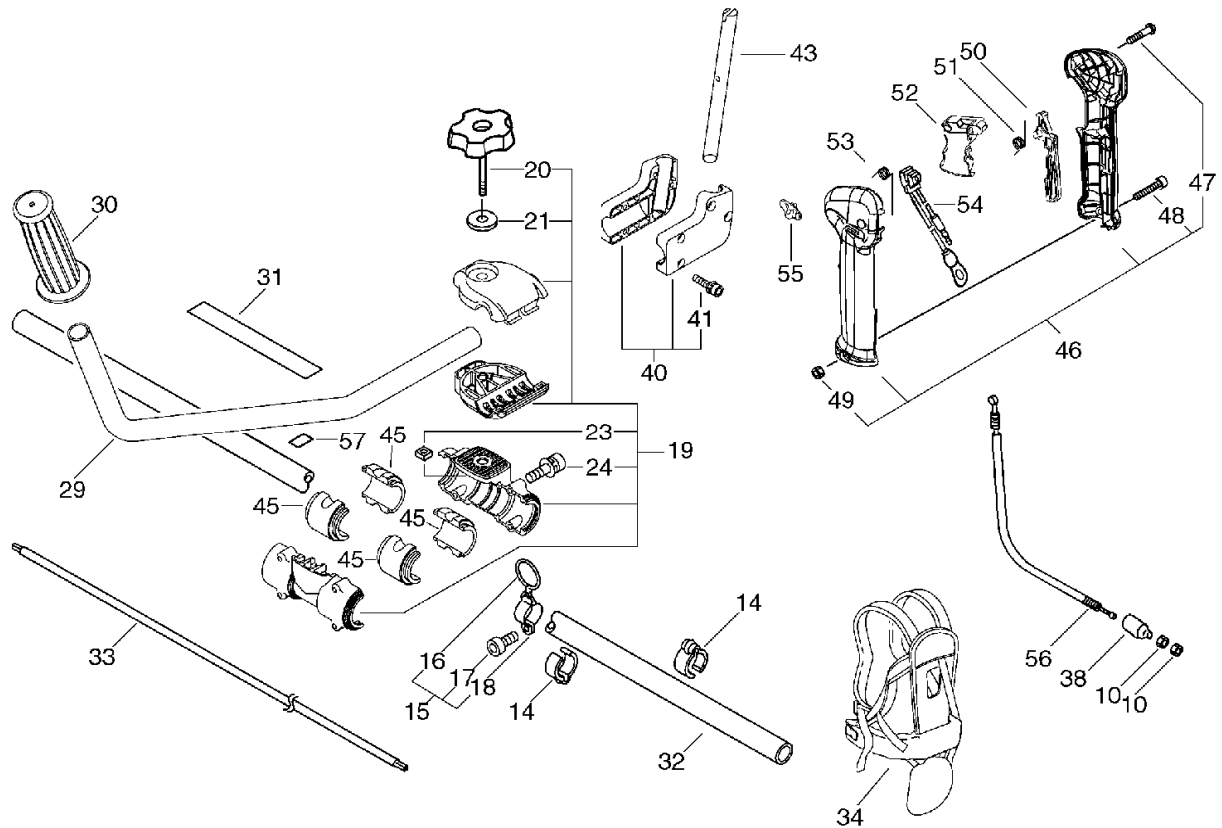
KEY	LV	PART NUMBER	Q'TY	DESCRIPTION	REMARKS	NOTE1	NOTE2
2		131004-55530	1	CAP ASSY, FUEL TANK			
3	+	131016-55830	1	GASKET, FUEL CAP			
4	+	131051-56030	1	CLIP, FUEL CAP	100L		
8		A393-000030	1	BRACKET, FUEL TANK			
9		900106-05012	4	BOLT, H.S. 5*12	5*12		
10		A390-000000	1	SEAT, FUEL TANK			
11		A350-000131	1	TANK, FUEL			
12		A390-000010	1	SEAT, FUEL TANK			
14		A393-000050	1	BRACKET, FUEL TANK			
16		91121-05020	2	BOLT, FLANGE	10.9 SILVER		
17		91121-05025	2	BOLT, FLANGE	10.9 SILVER		
20		132010-53630	1	PIPE	3*6*180 NBR		
22		131300-56430	1	VALVE, CHECK			
23		132013-26630	1	CLIP	6.5MM		
24		132012-02960	1	PIPE, FUEL	3*6*120L		
25		132115-55930	1	GROMMET, FUEL			
26		132013-26630	1	CLIP	6.5MM		
27		131205-19831	1	STRAINER, FUEL			

6. Shield,Tools



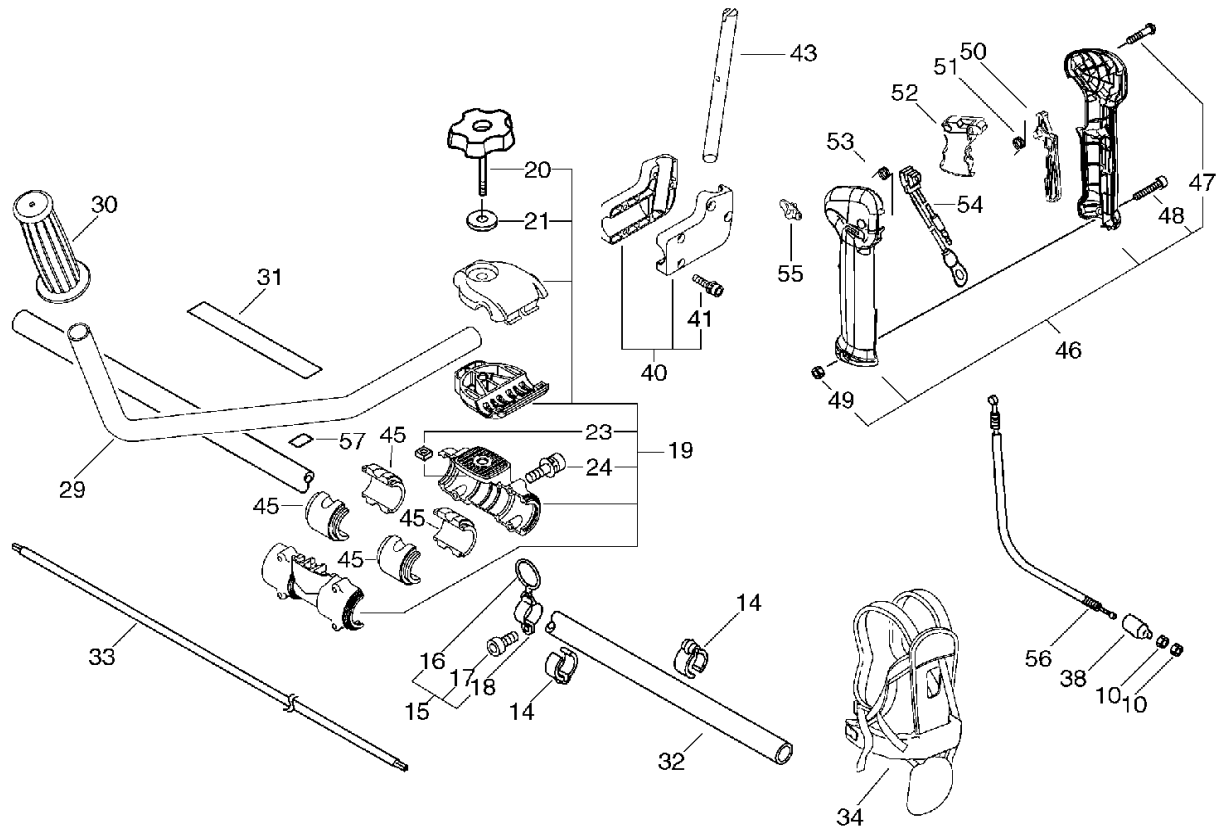
KEY	LV	PART NUMBER	Q'TY	DESCRIPTION	REMARKS	NOTE1	NOTE2
1		895610-00130	1	L-WRENCH (4MM)			
2		895112-00330	1	SPANNER 8*10			
3		X602-000020	1	TOOL,WRENCH	17*19 L200		
4		897518-01131	1	LOCKING TOOL			
5		X690-000030	1	GOGGLE			
6		898510-39130	1	BAG, TOOL			
10		P021-013770	1	SHIELD KIT			
11	+	C550-000080	1	SHIELD,BLADE			
12	+	C554-000030	1	KNIFE, CORD	17INCH		
13	+	900252-05012	1	SCREW 5*12	5*12		
15		C550-000100	1	SHIELD,BLADE			
16	+	900565-00005	1	NUT	5		
17		900242-05018	1	SCREW 5*18	5*18		
21		C550-000090	1	SHIELD,BLADE			
22		699013-56830	1	PLATE, SHIELD			
23		91118-05025	4	BOLT	CM-5*25		

7. U-Handle



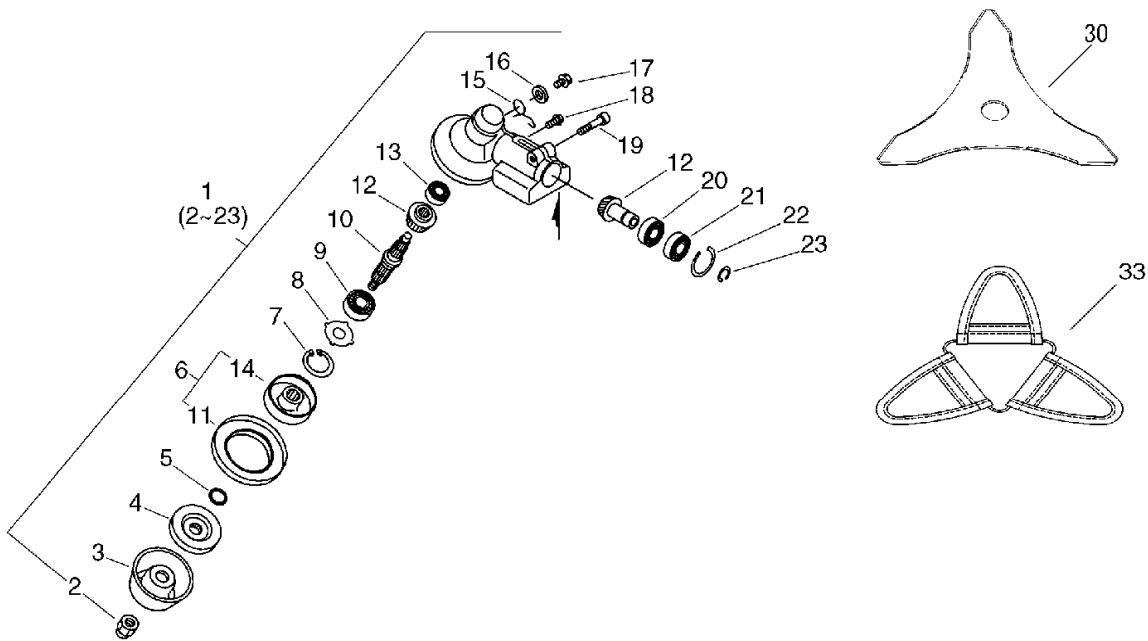
KEY	LV	PART NUMBER	Q'TY	DESCRIPTION	REMARKS	NOTE1	NOTE2
10		900502-00006	2	NUT 6 (3N)	3N6		
14		224924-52930	2	CLIP	28MM		
15		P021-012660	1	HOOK ASY			
16	+	301015-05330	1	HOOK, BAND			
17	+	91119-05012	1	BOLT	CB-5*12		
18	+	301210-04630	1	HOOK			
19		P021-012750	1	BRACKET ASY, HANDLE			
20	+	V299-000110	1	KNOB, FASTENER			
21	+	605014-54230	1	WASHER			
23	+	900565-50008	1	NUT	8*1.25		
24	+	91118-05035	4	BOLT			
29		C400-000400	1	HANDLE, FRONT			
30		351213-47531	1	GRIP, HANDLE			
31		890617-43130	1	LABEL, CAUTION			
32		C050-000880	1	PIPE, MAIN	T2.0*28		
33		610011-49930	1	SHAFT, DRIVE			
34		C062-000192	1	HARNESS, SHOULDER			
38		V494-000080	1	CAP			
40		P021-012730	1	BRACKET ASY, HANDLE			
41	+	91118-05025	4	BOLT	CM-5*25		
43		351210-47530	1	HANDLE, REAR			
45		V420-001120	4	CUSHION			
46		P021-014090	1	GRIP ASY, F-HANDLE			
47	+	900256-04016	3	SCREW 4*16	4*16		
48	+	91119-05030	1	BOLT			
49	+	900500-00005	1	NUT 5	5		

7. U-Handle



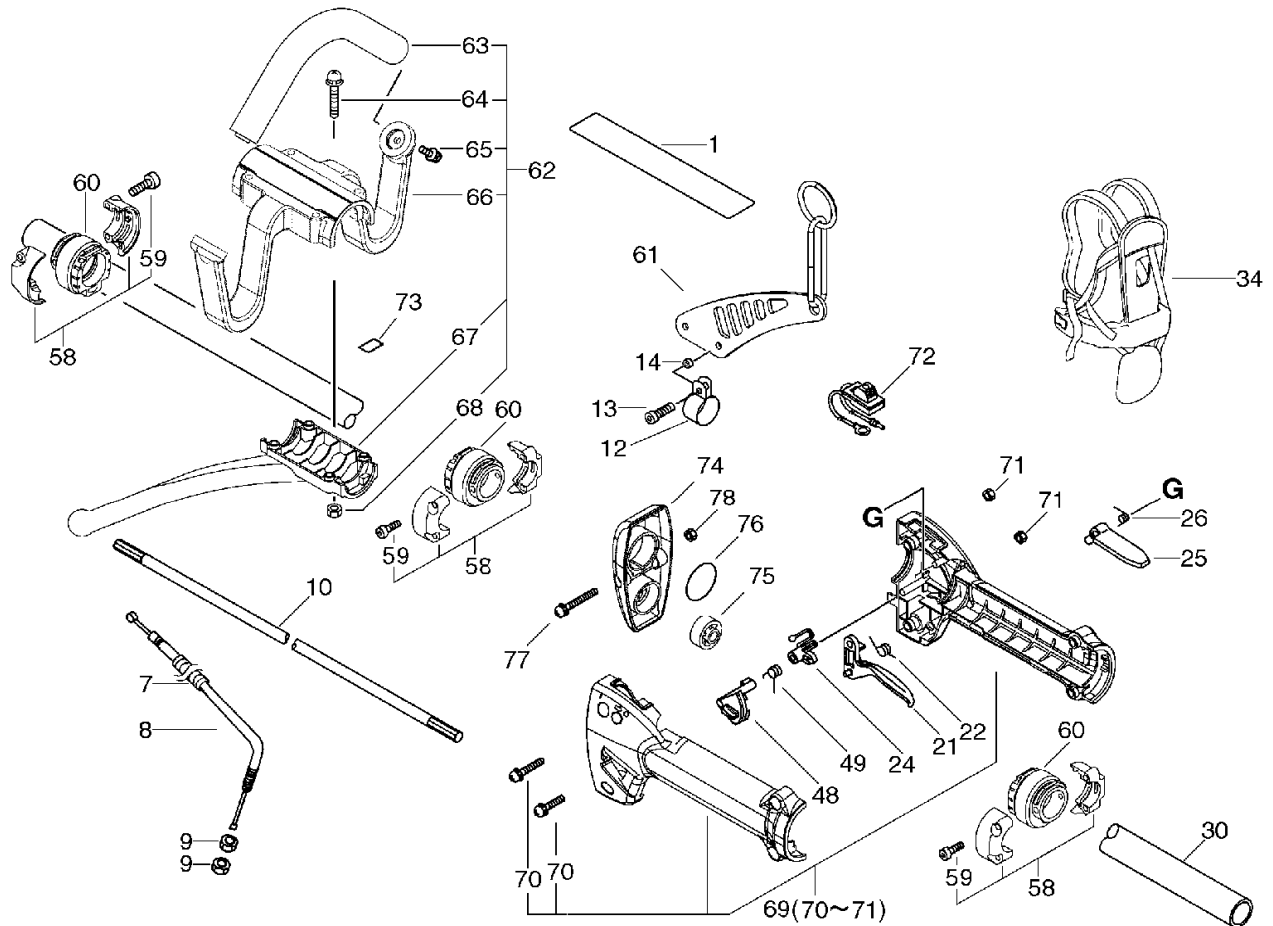
KEY	LV	PART NUMBER	Q'TY	DESCRIPTION	REMARKS	NOTE1	NOTE2
50		C460-000110	1	LOCKOUT, THROTTLE			
51		V452-000360	1	SPRING, TORSION			
52		C450-000270	1	CONTROL, THROTTLE			
53		V452-000350	1	SPRING, TORSION			
54		P021-014620	1	SWITCH, ON OFF			
55		C463-000020	1	KNOB, LATCH			
56		V430-002090	1	CABLE, BOWDEN	968+87.5		
57		890152-04930	1	LABEL, CAUTION			

8. U-Gear Case,Blade



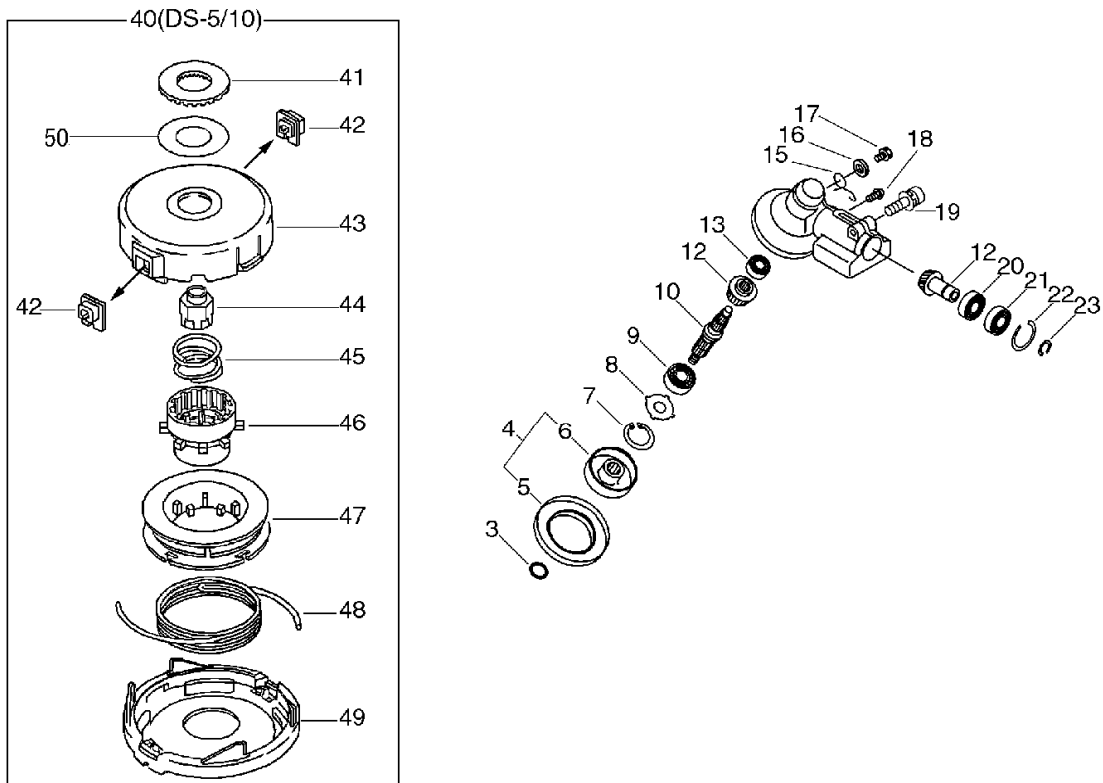
KEY	LV	PART NUMBER	Q'TY	DESCRIPTION	REMARKS	NOTE1	NOTE2
1		P021-012591	1	CASE,GEAR			
2	+	610320-52130	1	NUT 10			
3	+	699229-56830	1	PLATE, COVER			
4	+	610314-52130	1	PLATE, ADAPTER (L)			
5	+	900720-00012	1	O-RING 12	P-12		
6	+	610313-52932	1	FIXTURE, BLADE			
11	++	610352-56830	1	PLATE, CUP			
14	++	C535-000011	1	FIXTURE, BLADE			
7	+	900702-00032	1	CIRCLIP 32	CR-32		
8	+	610444-56830	1	WASHER			
9	+	900812-06201	1	BEARING, BALL 6201	6201DDU(LLU)		
10	+	610310-56931	1	SHAFT, P.T.O.			
12	+	610300-56930	1	GEAR SET			
13	+	900810-00629	1	BEARING, BALL 629	629		
15	+	610473-52131	1	SPRING			
16	+	900603-50008	1	WASHER	8.5*18*0.8T		
17	+	610434-50031	1	BOLT 8* 8	M8*8		
18	+	900242-05010	1	SCREW 5*10	5*10		
19	+	91118-06030	1	BOLT	CM-6*30		
20	+	900800-06001	1	BEARING, BALL 6001	6001		
21	+	900803-06001	1	BEARING, BALL 6001	6001Z		
22	+	900702-00028	1	CIRCLIP 28	CR-28		
23	+	900701-00012	1	CIRCLIP 12	CS-12		
30		P021-014320	1	SAW, BUSH CUTTER	255*T3.0		
33		X495-000250	1	SCABBARD, BLADE	9"/10" 3 CUTTER		

9. L-Handle



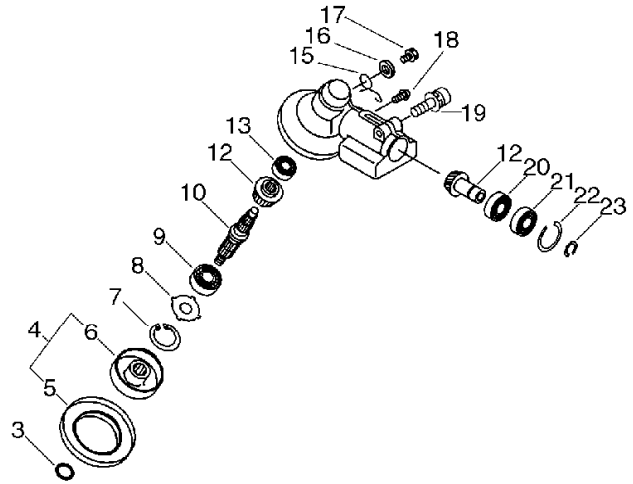
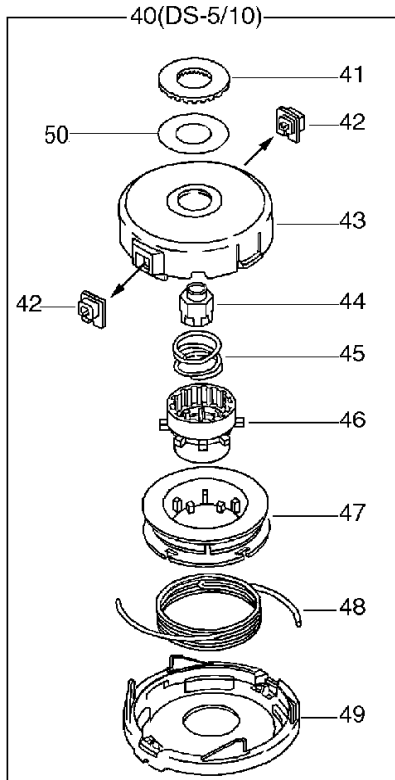
KEY	LV	PART NUMBER	Q'TY	DESCRIPTION	REMARKS	NOTE1	NOTE2
1		X505-000140	1	LABEL,CAUTION			
7		V475-003580	1	TUBE	7*170		
8		V430-001460	1	CABLE,BOWDEN			
9		900502-00006	2	NUT 6 (3N)	3N6		
10		610011-49931	1	SHAFT, DRIVE			
12		301207-07530	2	HOOK			
13		91119-05018	2	BOLT	10.9 SILVER		
14		V353-000090	2	COLLAR,5			
21		C450-000110	1	TRIGGER,THROTTLE			
22		V452-000200	1	SPRING,TORSION			
24		C461-000000	1	LATCH,THROTTLE			
25		178090-52632	1	LOCKOUT, T. CONTROL			
26		178013-52630	1	SPRING, THR. LOCK			
30		C050-000880	1	PIPE, MAIN	T2.0*28		
34		C062-000192	1	HARNESS,SHOULDER			
48		C461-000010	1	LATCH,THROTTLE			
49		V452-000120	1	SPRING,TORSION			
58		P021-012640	3	BRACKET ASM., HANDLE			
59	+	91118-05025	6	BOLT	CM-5*25		
60		V420-001061	3	CUSHION			
61		C624-000040	1	HANGER, HARNESS			
62		P021-009202	1	HANDLE ASY, LOOP			
63	+	351205-07130	1	HANDLE			
64	+	900242-05035	4	SCREW 5*35	5*35		
65	+	900242-05014	2	SCREW 5*14	5*14		
66	+	C405-000270	1	BRACKET,HANDLE			

10. L-Gear Case,Line Cutter



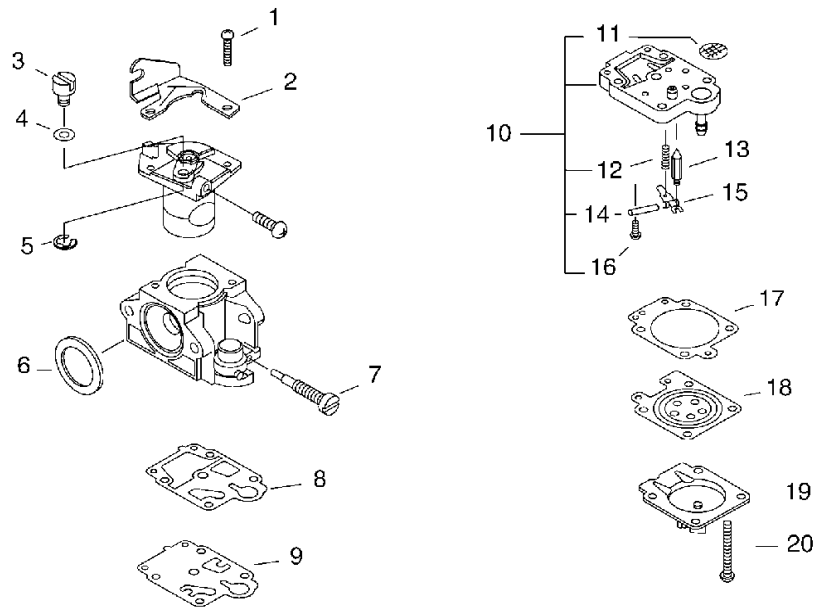
KEY	LV	PART NUMBER	Q'TY	DESCRIPTION	REMARKS	NOTE1	NOTE2
3		900720-00012	1	O-RING 12	P-12		
4		C535-000001	1	FIXTURE,BLADE			
5	+	610352-56830	1	PLATE, CUP			
6	+	C535-000011	1	FIXTURE,BLADE			
7		900702-00032	1	CIRCLIP 32	CR-32		
8		610444-56830	1	WASHER			
9		900812-06201	1	BEARING, BALL 6201	6201DDU(LLU)		
10		610310-56931	1	SHAFT, P.T.O.			
12		610300-56930	1	GEAR SET			
13		900810-00629	1	BEARING, BALL 629	629		
15		610473-52131	1	SPRING			
16		900603-50008	1	WASHER	8.5*18*0.8T		
17		610434-50031	1	BOLT 8* 8	M8*8		
18		900242-05010	1	SCREW 5*10	5*10		
19		91118-06030	1	BOLT	CM-6*30		
20		900800-06001	1	BEARING, BALL 6001	6001		
21		900803-06001	1	BEARING, BALL 6001	6001Z		
22		900702-00028	1	CIRCLIP 28	CR-28		
23		900701-00012	1	CIRCLIP 12	CS-12		
40		X047-000230	1	CUTTER,ASM LINE	DS-5 M10 L		
41	+	V332-000000	1	WASHER,CIRCULAR 24			
42	+	P022-000710	2	EYELET	T4		
43	+	P022-005040	1	HOUSING			
44	+	P022-010390	1	NUT			
45	+	P022-001200	1	SPRING	DS-5/10		
46	+	P022-019450	1	TAP KNOB			

10. L-Gear Case,Line Cutter



KEY	LV	PART NUMBER	Q'TY	DESCRIPTION	REMARKS	NOTE1	NOTE2
47	+	P022-001180	1	BOBBIN	DS-5/10		
48	+	P022-006200	1	NYLON CODE	3.0*3M		
49	+	P022-005030	1	COVER			
50	+	P022-023160	1	SPACER			

11. Carbutrettor



KEY	LV	PART NUMBER	Q'TY	DESCRIPTION	REMARKS	NOTE1	NOTE2
		A021-001171	1	CARBURETOR,DIAPHRAGM	WYK-226A		
1	+	123114-40630	2	SCREW			
2	+	P003-000180	1	BRACKET CABLE			
3	+	123172-45130	1	SWIVEL			
4	+	123149-54230	1	WASHER			
5	+	123173-07930	1	CLIP			
6	+	123143-12110	1	RING, PACKING			
7	+	P003-001130	1	NEEDLE, HIGH SPEED			
8	+	P003-000100	1	GASKET, PUMP			
9	+	123112-40630	1	DIAPHRAGM, PUMP			
10	+	P003-001490	1	BODY ASSEMBLY, PUMP			
11	++	123126-10631	1	SCREEN, INLET			
12	++	123122-05560	1	SPRING, METER. LEVER			
13	++	123137-19830	1	VALVE, INLET NEEDLE			
14	++	123138-03930	1	PIN, METERING LEVER			
15	++	123123-03930	1	LEVER, METERING			
16	++	123139-05560	1	SCREW, M. LEVER PIN			
17	+	123140-27230	1	GASKET,M. DIAPHRAGM			
18	+	P003-000090	1	METERING, DIAPHRAGM			
19	+	P003-001500	1	COVER, PRIMER PUMP			
20	+	123144-44330	4	SCREW			

Index

Patrs Number	Key No.	Patrs Number	Key No.	Patrs Number	Key No.
100011-10530	1 - 10	610011-49931	9 - 10	900519-00010	2 - 17
100012-12331	1 - 13	610300-56930	10 - 12	900565-00005	6 - 16
100213-00310	1 - 22	610300-56930	8 - 12	900565-50008	7 - 23
100213-05530	1 - 17	610310-56931	10 - 10	900603-50008	10 - 16
100215-03930	1 - 21	610310-56931	8 - 10	900603-50008	8 - 16
123112-40630	11 - 9	610313-52932	8 - 6	900701-00012	10 - 23
123114-40630	11 - 1	610314-52130	8 - 4	900701-00012	1 - 27
123122-05560	11 - 12	610320-52130	8 - 2	900701-00012	8 - 23
123123-03930	11 - 15	610352-56830	10 - 5	900702-00028	10 - 22
123126-10631	11 - 11	610352-56830	8 - 11	900702-00028	1 - 25
123137-19830	11 - 13	610434-50031	10 - 17	900702-00028	8 - 22
123138-03930	11 - 14	610434-50031	8 - 17	900702-00032	10 - 7
123139-05560	11 - 16	610444-56830	10 - 8	900702-00032	8 - 7
123140-27230	11 - 17	610444-56830	8 - 8	900702-00045	1 - 31
123143-12110	11 - 6	610473-52131	10 - 15	900720-00012	10 - 3
123144-44330	11 - 20	610473-52131	8 - 15	900720-00012	8 - 5
123149-54230	11 - 4	699013-56830	6 - 22	900720-00032	9 - 76
123172-45130	11 - 3	699229-56830	8 - 3	900800-06001	10 - 20
123173-07930	11 - 5	890152-04930	7 - 57	900800-06001	8 - 20
123181-39130	4 - 30	890152-04930	9 - 73	900803-06001	10 - 21
131004-55530	5 - 2	890617-43130	7 - 31	900803-06001	8 - 21
131016-55830	5 - 3	895112-00330	6 - 2	900807-06001	1 - 26
131051-56030	5 - 4	895610-00130	6 - 1	900810-00629	10 - 13
131205-19831	5 - 27	897518-01131	6 - 4	900810-00629	8 - 13
131300-56430	5 - 22	898510-39130	6 - 6	900810-36202	1 - 19
132010-53630	5 - 20	900105-05055	4 - 14	900812-06201	10 - 9
132012-02960	5 - 24	900105-06060	4 - 23	900812-06201	8 - 9
132012-39331	4 - 27	900106-05012	5 - 9	91118-05012	1 - 33
132013-26630	4 - 35	900106-05025	4 - 4	91118-05020	1 - 34
132013-26630	5 - 23	900162-05012	4 - 20	91118-05025	6 - 23
132013-26630	5 - 26	900162-05020	1 - 3	91118-05025	7 - 41
132115-55930	5 - 25	900162-05020	2 - 9	91118-05025	9 - 59
156114-04920	2 - 6	900162-05035	1 - 23	91118-05028	1 - 32
159017-31730	2 - 3	900238-05022	9 - 70	91118-05035	7 - 24
162010-55630	2 - 8	900238-05040	9 - 77	91118-06030	10 - 19
175048-03920	2 - 14	900242-05010	10 - 18	91118-06030	8 - 19
177228-27030	3 - 28	900242-05010	8 - 18	91119-05012	7 - 17
178013-52630	9 - 26	900242-05014	9 - 65	91119-05018	9 - 13
178090-52632	9 - 25	900242-05018	6 - 17	91119-05030	7 - 48
224924-52930	7 - 14	900242-05035	9 - 64	91121-05012	1 - 41
301015-05330	7 - 16	900252-05012	6 - 13	91121-05012	4 - 25
301207-07530	9 - 12	900256-04016	7 - 47	91121-05020	1 - 36
301210-04630	7 - 18	900323-03014	2 - 19	91121-05020	3 - 33
351205-07130	9 - 63	900500-00005	7 - 49	91121-05020	4 - 36
351210-47530	7 - 43	900500-00005	9 - 68	91121-05020	5 - 16
351213-47531	7 - 30	900500-00005	9 - 71	91121-05025	5 - 17
437215-20760	4 - 28	900500-00005	9 - 78	94035-36201	1 - 18
605014-54230	7 - 21	900502-00006	7 - 10	A011-000120	1 - 15
610011-49930	7 - 33	900502-00006	9 - 9	A021-001171	11 -

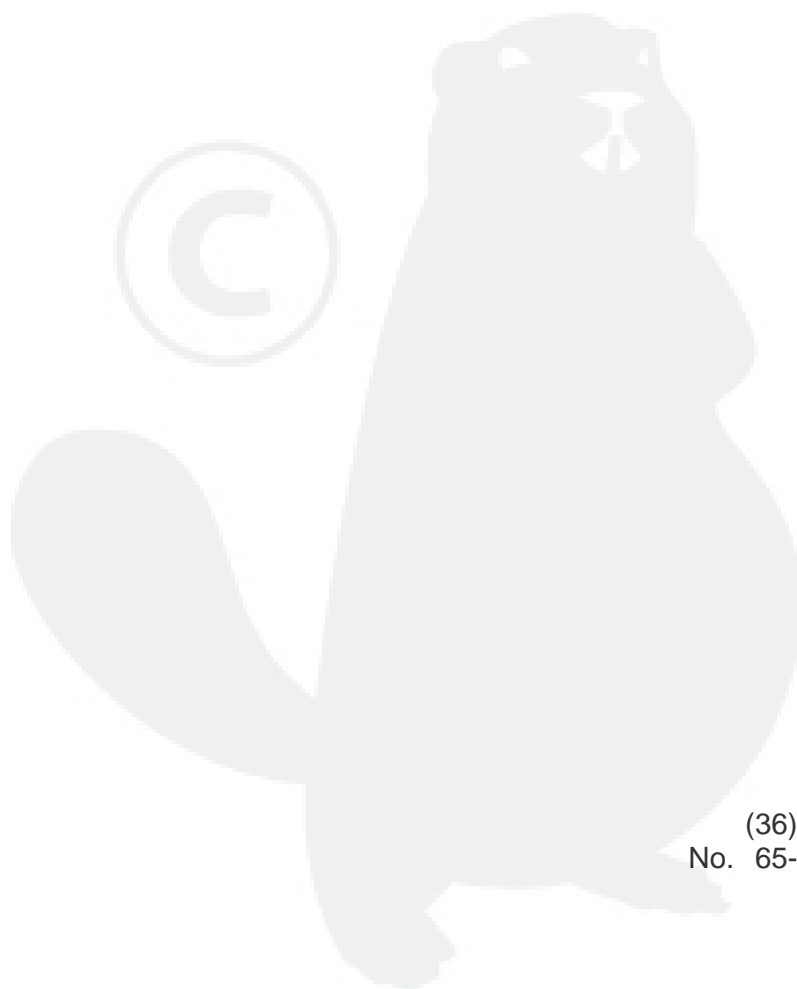
Index

Patrs Number	Key No.	Patrs Number	Key No.	Patrs Number	Key No.
A021-001171	4 - 9	P003-000100	11 - 8	V253-000100	4 - 31
A051-001350	3 - 23	P003-000180	11 - 2	V299-000110	7 - 20
A052-000230	3 - 19	P003-001130	11 - 7	V307-000060	1 - 14
A128-000060	4 - 1	P003-001490	11 - 10	V332-000000	10 - 41
A130-000870	1 - 2	P003-001500	11 - 19	V353-000020	1 - 37
A160-000241	1 - 39	P021-002471	1 - 16	V353-000090	9 - 14
A162-000020	1 - 38	P021-005911	2 - 18	V420-000980	1 - 30
A172-000150	1 - 35	P021-008190	2 - 11	V420-001061	9 - 60
A200-000060	4 - 3	P021-008900	4 - 21	V420-001120	7 - 45
A226-000360	4 - 15	P021-009202	9 - 62	V420-001720	9 - 75
A232-000320	4 - 32	P021-009590	4 - 12	V430-001460	9 - 8
A239-000050	4 - 34	P021-009600	4 - 18	V430-002090	7 - 56
A244-000010	4 - 13	P021-012591	8 - 1	V451-000480	2 - 13
A320-000080	4 - 24	P021-012640	9 - 58	V452-000120	9 - 49
A350-000131	5 - 11	P021-012660	7 - 15	V452-000200	9 - 22
A390-000000	5 - 10	P021-012730	7 - 40	V452-000350	7 - 53
A390-000010	5 - 12	P021-012750	7 - 19	V452-000360	7 - 51
A393-000030	5 - 8	P021-013770	6 - 10	V453-000070	2 - 16
A393-000050	5 - 14	P021-014090	7 - 46	V471-001560	4 - 33
A411-000050	2 - 10	P021-014170	9 - 69	V475-001610	2 - 5
A426-000000	2 - 2	P021-014260	1 - 9	V475-003580	9 - 7
A427-000000	2 - 1	P021-014320	8 - 30	V494-000080	7 - 38
A440-001080	9 - 72	P021-014620	7 - 54	V580-000010	1 - 12
A553-000040	2 - 15	P022-000710	10 - 42	V608-000000	1 - 11
A556-000181	1 - 24	P022-001180	10 - 47	X047-000230	10 - 40
A557-000000	2 - 12	P022-001200	10 - 45	X495-000250	8 - 33
C050-000880	7 - 32	P022-002100	3 - 20	X502-000460	3 - 35
C050-000880	9 - 30	P022-003130	3 - 21	X505-000140	9 - 1
C062-000192	7 - 34	P022-004680	3 - 31	X547-001390	1 - 40
C062-000192	9 - 34	P022-005030	10 - 49	X602-000020	6 - 3
C400-000400	7 - 29	P022-005040	10 - 43	X690-000030	6 - 5
C405-000160	9 - 67	P022-006200	10 - 48		
C405-000270	9 - 66	P022-010390	10 - 44		
C423-000340	9 - 74	P022-019450	10 - 46		
C450-000110	9 - 21	P022-023090	3 - 22		
C450-000270	7 - 52	P022-023100	3 - 29		
C460-000110	7 - 50	P022-023110	3 - 24		
C461-000000	9 - 24	P022-023120	3 - 26		
C461-000010	9 - 48	P022-023130	3 - 25		
C463-000020	7 - 55	P022-023140	3 - 30		
C535-000001	10 - 4	P022-023160	10 - 50		
C535-000011	10 - 6	V100-000040	1 - 4		
C535-000011	8 - 14	V102-000001	1 - 20		
C550-000080	6 - 11	V103-000070	4 - 2		
C550-000090	6 - 21	V103-000080	4 - 5		
C550-000100	6 - 15	V104-000210	4 - 19		
C554-000030	6 - 12	V141-000020	2 - 4		
C624-000040	9 - 61	V150-000550	4 - 22		
P003-000090	11 - 18	V186-000080	4 - 29		

YAMABIKO CORPORATION

7-2 SUEHIROCHO 1-CHOME, OHME, TOKYO 198-8760, JAPAN
PHONE: 81-428-32-6118. FAX: 81-428-32-6145.

ECHO®



(36)
No. 65-105