



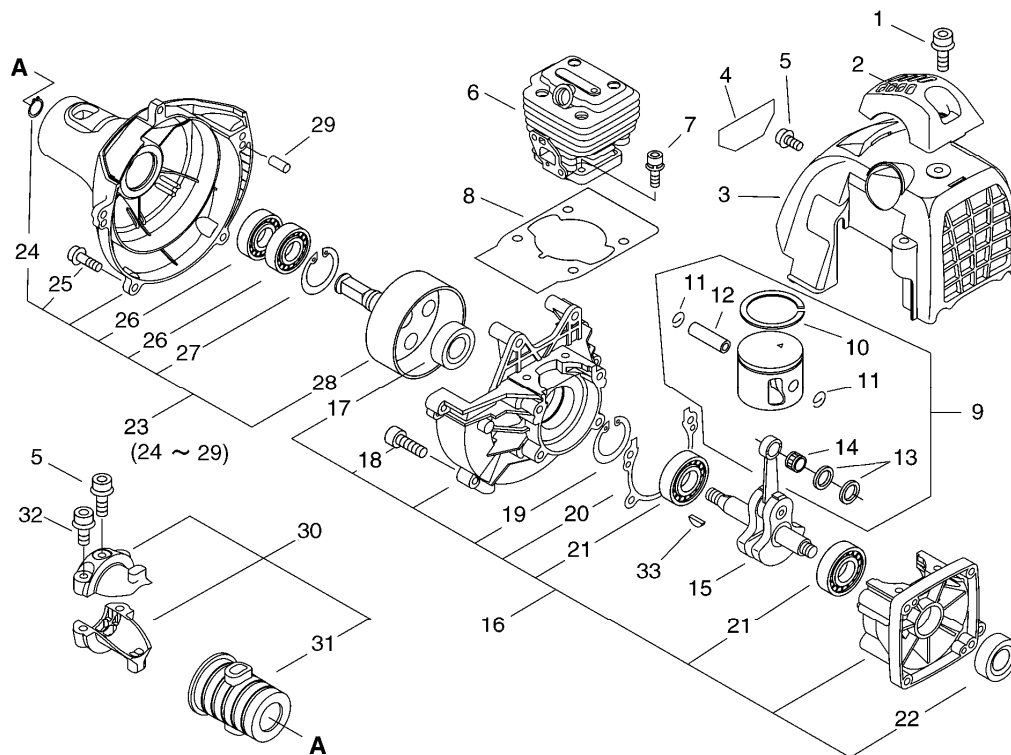
PARTS CATALOG

GRASS-TRIMMER / BRUSHCUTTER

SRM-300TES/U(37)

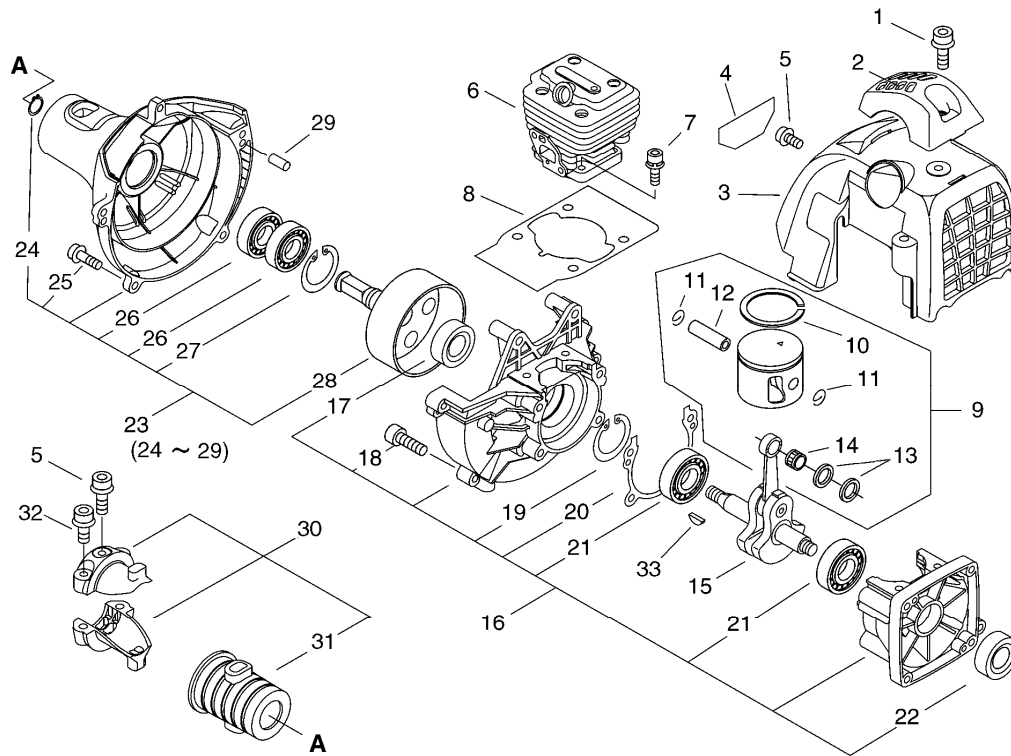
37000001 -

1. CYLINDER, CRANKCASE, PISTON



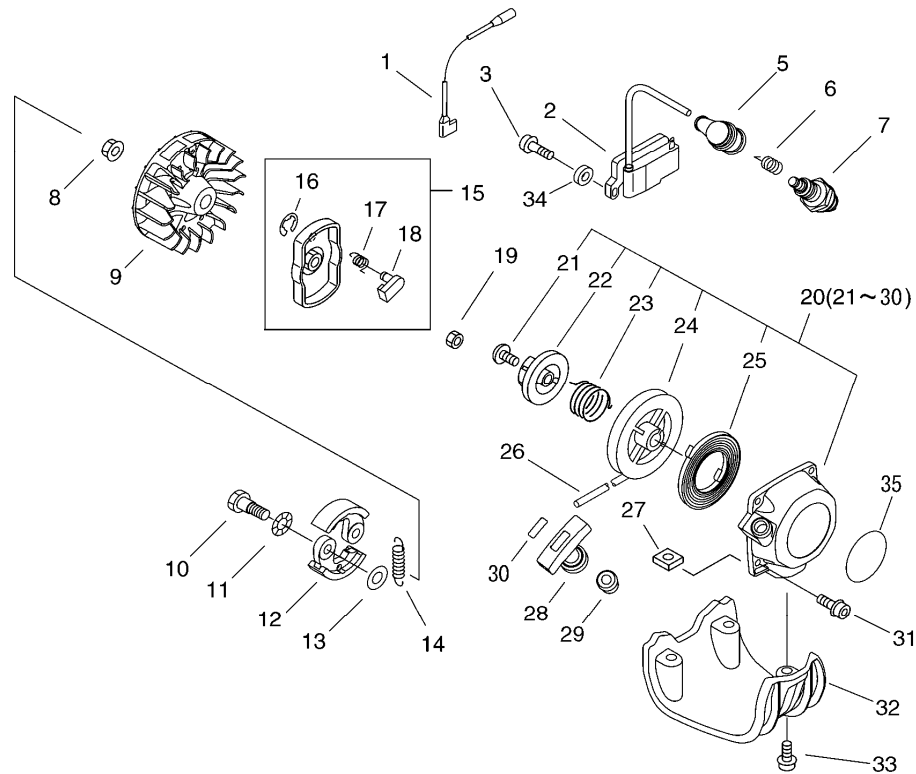
KEY	LV	PART NUMBER	Q'TY	DESCRIPTION	REMARKS	NOTE1	NOTE2
1		V203-000290	1	BOLT,5			
2		A162-000110	1	GUARD, TOP			
3		A160-000800	1	COVER, CYLINDER			
4		X547-001810	1	LABEL, ECHO			
5		91121-05010	2	BOLT, FLANGE	10.9 SILVER		
6		A130-000800	1	CYLINDER			
7		91128-05025	4	BOLT HSH			
8		V100-000201	1	GASKET, CYL			
9		P021-010730	1	PISTON KIT			
10	+	A101-000170	1	RING, PISTON	34*1.5*1.5		
11	+	100015-03931	2	CIRCLIP, PISTON PIN			
12	+	100013-35430	1	PIN, PISTON	6*9*27.8		
13	+	V306-000200	2	WASHER, CIRCULAR 8	9.2*14*T0.5		
14	+	100012-16131	1	BEARING, NEEDLE			
15		A011-000471	1	CRANKSHAFT, ASY			
16		P021-010741	1	CRANKCASE KIT			
17	+	100212-03930	1	OILSEAL	ISCX12*32*5.5		
18	+	91128-05028	4	BOLT HSH			
19	+	900702-00032	1	CIRCLIP 32	CR-32		
20	+	V102-000030	1	GASKET, CRANKCASE	T:0.5		
21	+	94035-36201	2	BEARING BALL	6201X3JR2C3		
22	+	V505-000020	1	SEAL, OIL 12	12*22*7		
23		P021-014330	1	COVER ASY, FAN			
24	+	900701-00012	1	CIRCLIP 12	CS-12		
25	+	91121-05020	4	BOLT, FLANGE	10.9 SILVER		

1. CYLINDER, CRANKCASE, PISTON



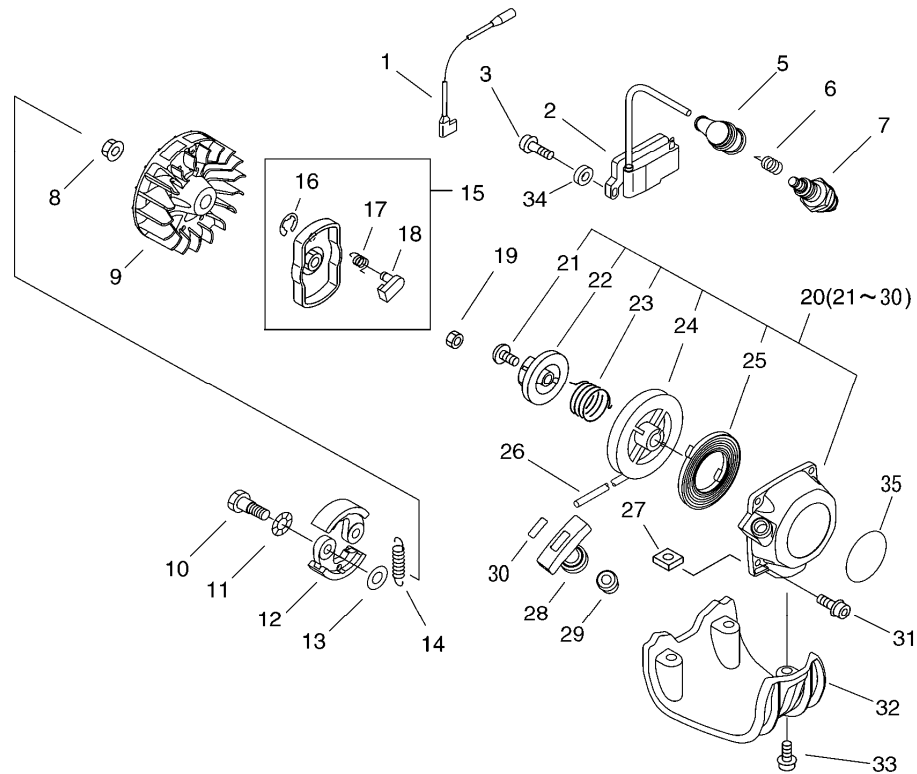
KEY	LV	PART NUMBER	Q'TY	DESCRIPTION	REMARKS	NOTE1	NOTE2
26	+	900807-06001	2	BEARING, BALL 6001	6001V(LB)		
27	+	900702-00028	1	CIRCLIP 28	CR-28		
28	+	A556-000430	1	DRUM, CLUTCH			
29	+	100215-03930	2	PIN, DOWEL			
30		P021-013900	1	FIXTURE, MAIN PIPE			
31	+	V420-001400	1	CUSHION			
32		91121-05025	2	BOLT, FLANGE	10.9 SILVER		
33		100142-12330	1	KEY, WOODRUFF			

2. STARTER, MAGNETO, CLUTCH



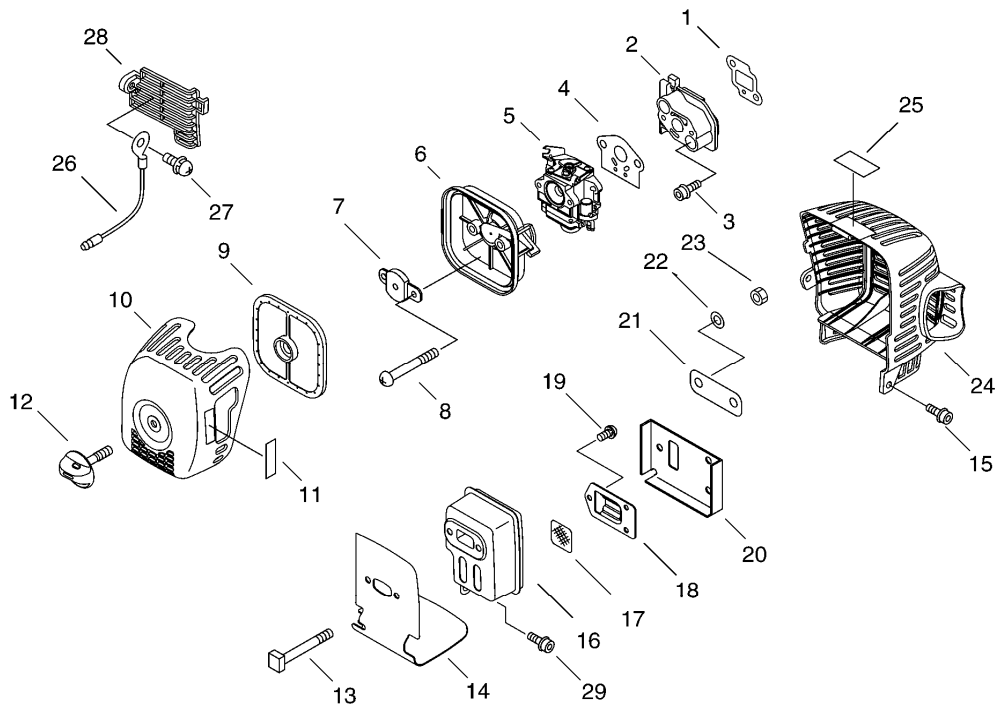
KEY	LV	PART NUMBER	Q'TY	DESCRIPTION	REMARKS	NOTE1	NOTE2
1		V485-000810	1	LEAD	L215		
2		A411-000312	1	COIL, IGNITION	ID#C10415		
3		900162-05020	2	BOLT, H.S. 5*20	5*20 W,SW		
5		159012-03433	1	CAP, SPARK PLUG			
6		159011-03432	1	COIL, SPARK PLUG			
7		A425-000000	1	SPARKPLUG	BPMR8Y		
8		900515-00008	1	NUT, FLANGE 8	8		
9		A409-000290	1	ROTOR, MAGNETO			
10		175046-56030	2	SHAFT, CLUTCH			
11		175049-56030	2	WASHER	8.5*16*0.5		
12		A553-000050	2	ARM, CLUTCH			
13		175048-05530	2	WASHER (I)	6.2*19*1.0		
14		A566-000020	1	SPRING, CLUTCH			
15		A052-000180	1	PULLEY,ASM STARTER			
16	+	P022-002100	2	E-RING	4		
17	+	P022-006510	2	SPRING, RETURN			
18	+	P022-006850	2	PAWL, STARTER			
19		900502-00008	1	NUT 8 (3N)	3N8		
20		A051-001211	1	STARTER,RECOIL ASY			
21	+	177236-61830	1	SCREW			
22	+	P022-008280	1	PLATE, CAM			
23	+	P022-008270	1	SPRING,DAMPER			
24	+	A506-000080	1	REEL,ROPE			
25	+	177220-40630	1	SPRING, REWIND			
26	+	P022-022110	1	ROPE, STARTER			
27	+	P022-022010	1	NUT			

2. STARTER, MAGNETO, CLUTCH



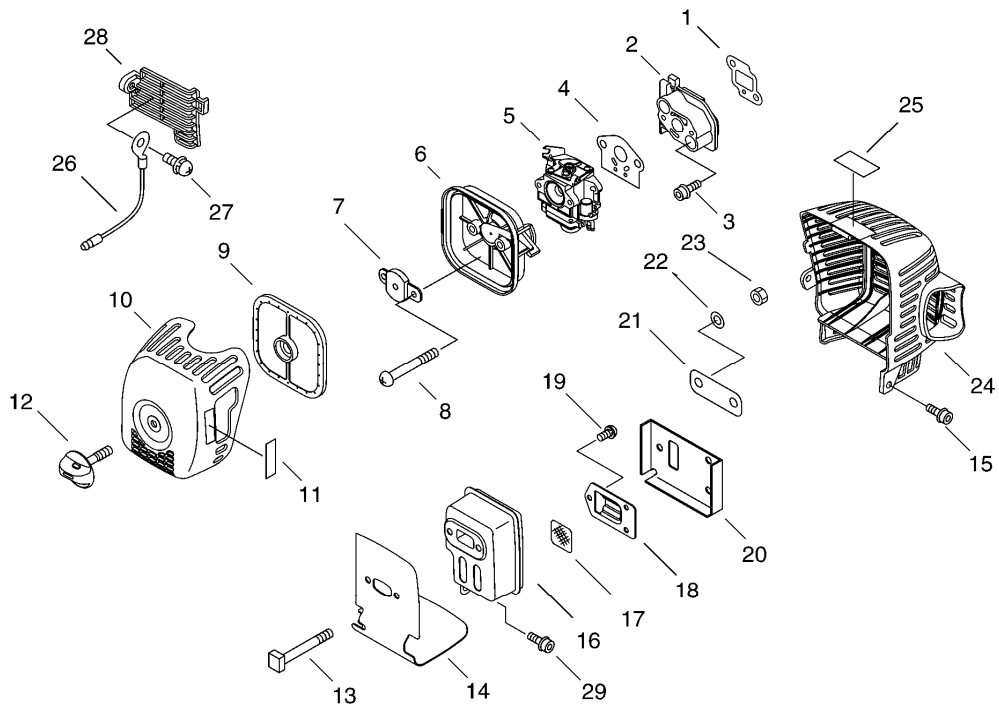
KEY	LV	PART NUMBER	Q'TY	DESCRIPTION	REMARKS	NOTE1	NOTE2
28	+	177228-27030	1	GRIP, STARTER			
29	+	177227-42030	1	GUIDE, ROPE			
30	+	177246-11120	1	CLIP, STARTER ROPE			
31		V203-000280	4	BOLT, 5			
32		A175-000040	2	STAND			
33		91121-05020	3	BOLT, FLANGE	10.9 SILVER		
34		V323-000070	2	WASHER, CIRCULAR 5	5.2*10*3		
35		X502-000330	1	LABEL, ECHO	ECHO		

3. AIR CLEANER, CARBURETOR, MUFFLER



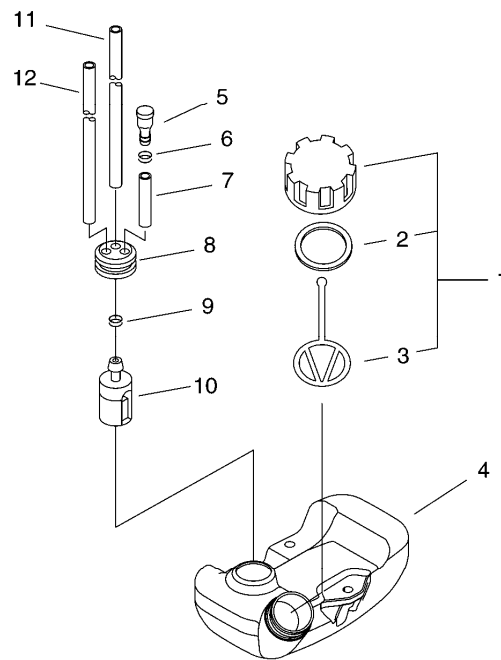
KEY	LV	PART NUMBER	Q'TY	DESCRIPTION	REMARKS	NOTE1	NOTE2
1		V103-000380	1	GASKET,INTAKE	T0.5		
2		A200-000270	1	INSULATOR, INTAKE	PM9685L		
3		900106-05030	2	BOLT, H.S.H. 5*30	5*30		
4		V103-000160	1	GASKET,INTAKE			
5		A021-001340	1	CARBURETOR,DIAPHRAGM	WYK-233A		
6		P021-010760	1	CASE,CLEANER ASY			
7		A244-000070	1	PLATE,PREVENT			
8		900242-05060	2	SCREW 5*60	5*60		
9		A226-000471	1	ELEMENT, AIR FILTER			
10		A232-000360	1	LID,CLEANER	ID #1320		
11		890332-52730	1	LABEL, CHOKE			
12		V299-000250	1	KNOB,FASTENER			
13		V203-000120	2	BOLT,5	L=60		
14		V104-000810	1	GASKET,EXHAUST	NP7002 T:1.0		
15		V203-000280	1	BOLT,5			
16		A300-000640	1	MUFFLER, EXHAUST	CAT25X26DEF STAY		
17		145862-40630	1	SCREEN, MUFFLER			
18		A313-000860	1	GUIDE, EXHAUST			
19		91367-04010	3	SCREW	4*10/SW(SUS)		
20		V104-000790	1	GASKET,EXHAUST			
21		V150-001760	1	PLATE,EYE			
22		92280-05000	2	WASHER, NORD-LOCK	NL5 5.4*9*1.8		
23		900500-00005	2	NUT 5	5		
24		A320-000400	1	COVER,MUFFLER			

3. AIR CLEANER, CARBURETOR, MUFFLER



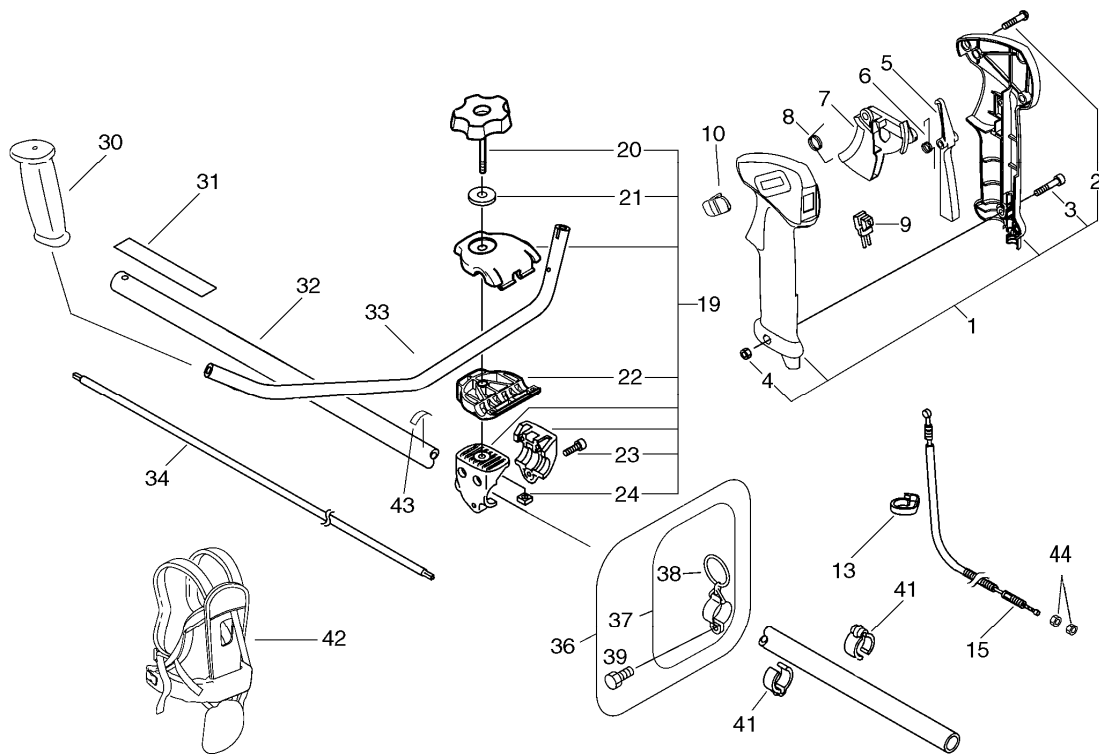
KEY	LV	PART NUMBER	Q'TY	DESCRIPTION	REMARKS	NOTE1	NOTE2
25		X505-002310	1	LABEL,CAUTION	HOT CAUTION		
26		162014-27230	1	LEAD, GROUND			
27		900242-05010	1	SCREW 5*10	5*10		
28		A127-000150	1	COVER,DUST			
29		900106-05016	1	BOLT, H.S. 5*16	5*16		

4. FUEL TANK



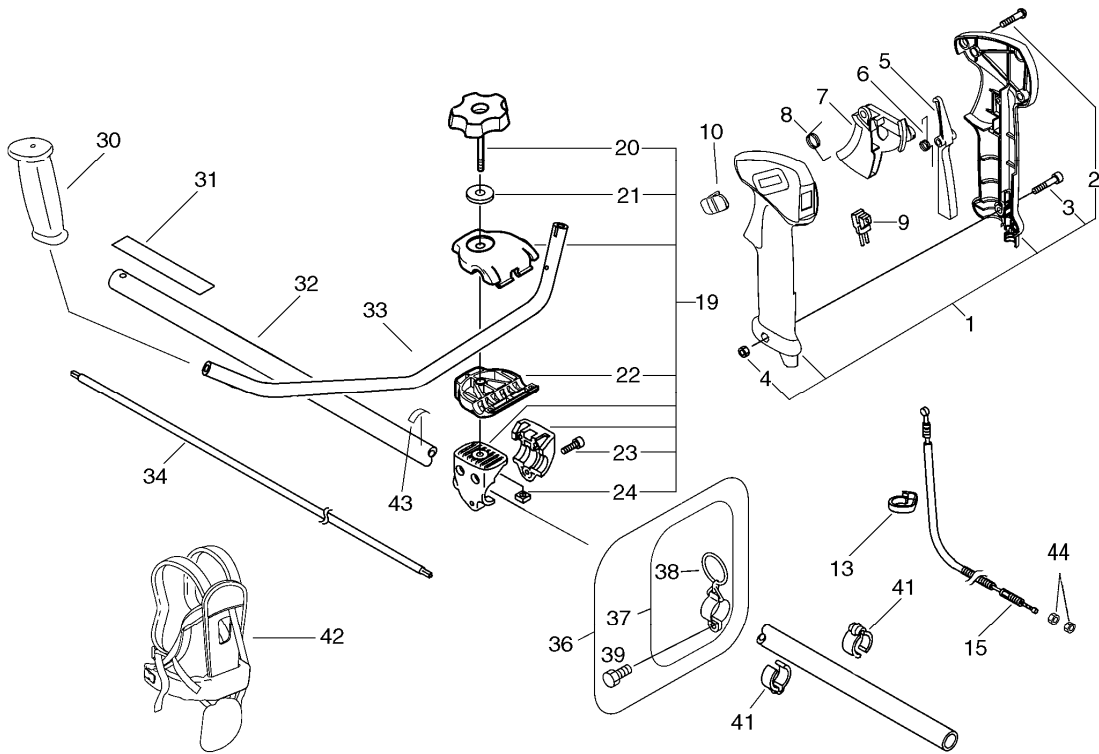
KEY	LV	PART NUMBER	Q'TY	DESCRIPTION	REMARKS	NOTE1	NOTE2
1		P021-012210	1	CAP,FUEL ASY			
2	+	131016-55830	1	GASKET, FUEL CAP			
3	+	A365-000060	1	CONNECTOR,CAP	L=123		
4		A350-000500	1	TANK, FUEL			
5		A356-000030	1	VALVE,CHECK			
6		132013-26630	1	CLIP	6.5MM		
7		V471-000110	1	PIPE	3*6*115		
8		132115-55930	1	GROMMET, FUEL			
9		132013-09820	1	CLIP	6MM		
10		131205-19831	1	STRAINER, FUEL			
11		V470-000580	1	PIPE	3*5*195		
12		132012-56030	1	PIPE	3*6*80 YL		

5. U-HANDLE



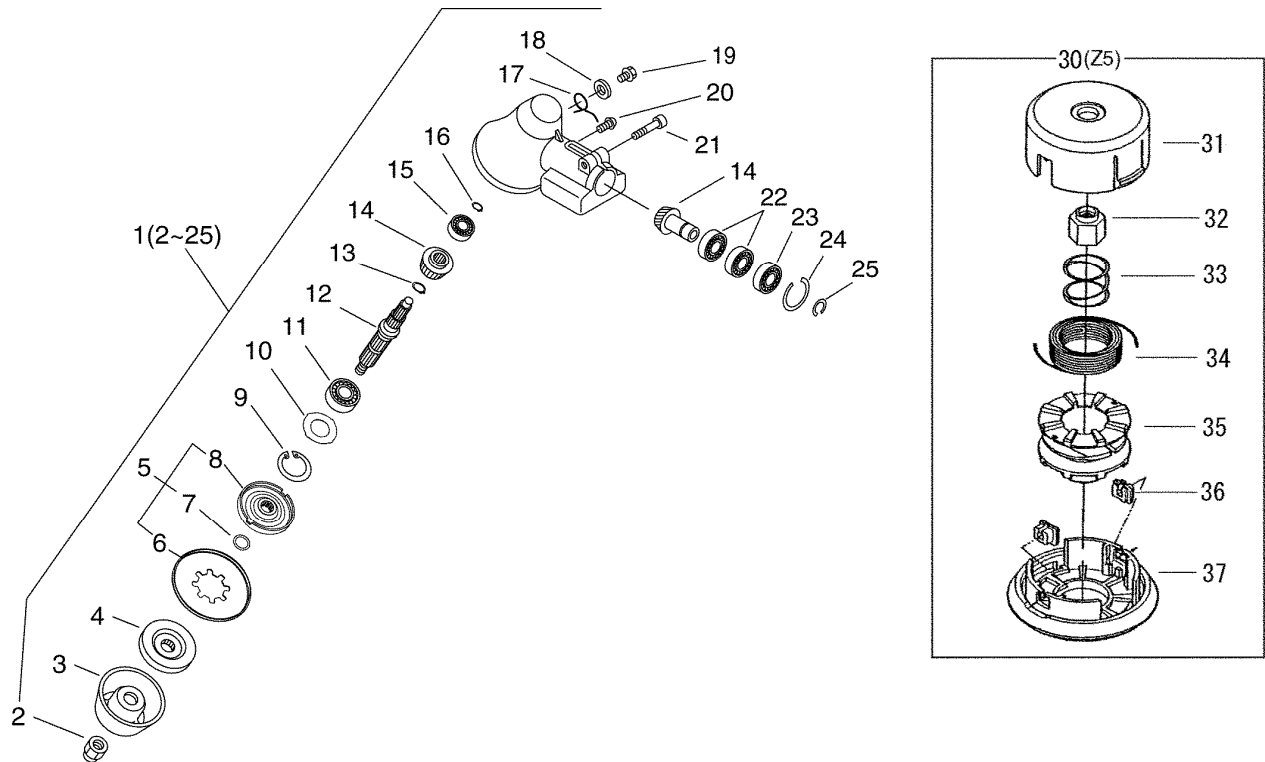
KEY	LV	PART NUMBER	Q'TY	DESCRIPTION	REMARKS	NOTE1	NOTE2
1		P021-014090	1	GRIP ASY,F-HANDLE			
2	+	900256-04016	3	SCREW 4*16	4*16		
3	+	91119-05030	1	BOLT			
4	+	900500-00005	1	NUT 5	5		
5		C460-000111	1	LOCKOUT, THROTTLE	70MM		
6		V452-000350	1	SPRING,TORSION			
7		C450-000270	1	CONTROL, THROTTLE			
8		V452-000360	1	SPRING,TORSION			
9		P021-042300	1	SWITCH,ON OFF			
10		C463-000020	1	KNOB, LATCH			
13		159112-09961	1	CLIP			
15		V430-002080	1	CABLE,BOWDEN			
19		P021-012821	1	FIXTURE,ASY HANDLE	SRM-2655SI		
20	+	V299-000110	1	KNOB,FASTENER			
21	+	605014-54230	1	WASHER			
22	+	C423-000042	1	FIXTURE,HANDLE			
23	+	91118-05030	3	BOLT			
24	+	900565-50008	1	NUT	8*1.25		
30		C403-000031	1	GRIP,HANDLE			
31		890617-43130	1	LABEL,CAUTION			
32		C050-000870	1	PIPE, MAIN			
33		C400-000211	1	HANDLE,FRONT			
34		C504-000050	1	SHAFT,DRIVE	7*1540		
36		P021-013580	1	RING, HARNESS KIT			
37	+	301205-21330	1	HOOK			
38	++	301015-05330	1	HOOK, BAND			

5. U-HANDLE



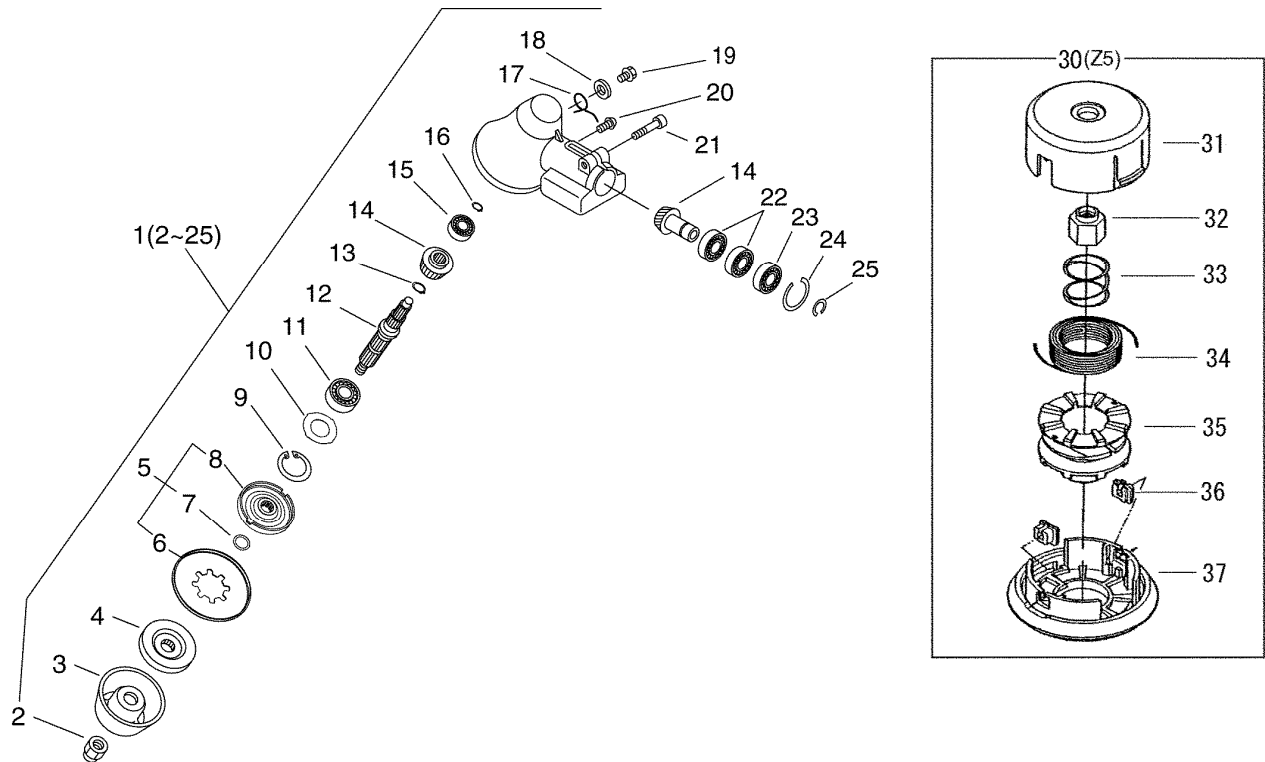
KEY	LV	PART NUMBER	Q'TY	DESCRIPTION	REMARKS	NOTE1	NOTE2
39	+	91121-05012	1	BOLT, FLANGE	10.9 SILVER		
41		224924-52130	2	CLIP	25MM		
42		C062-000192	1	HARNES SHOULDER			
43		890152-04930	1	LABEL, CAUTION			
44		900502-00006	2	NUT 6 (3N)	3N6		

6. GEAR CASE, CUTTER



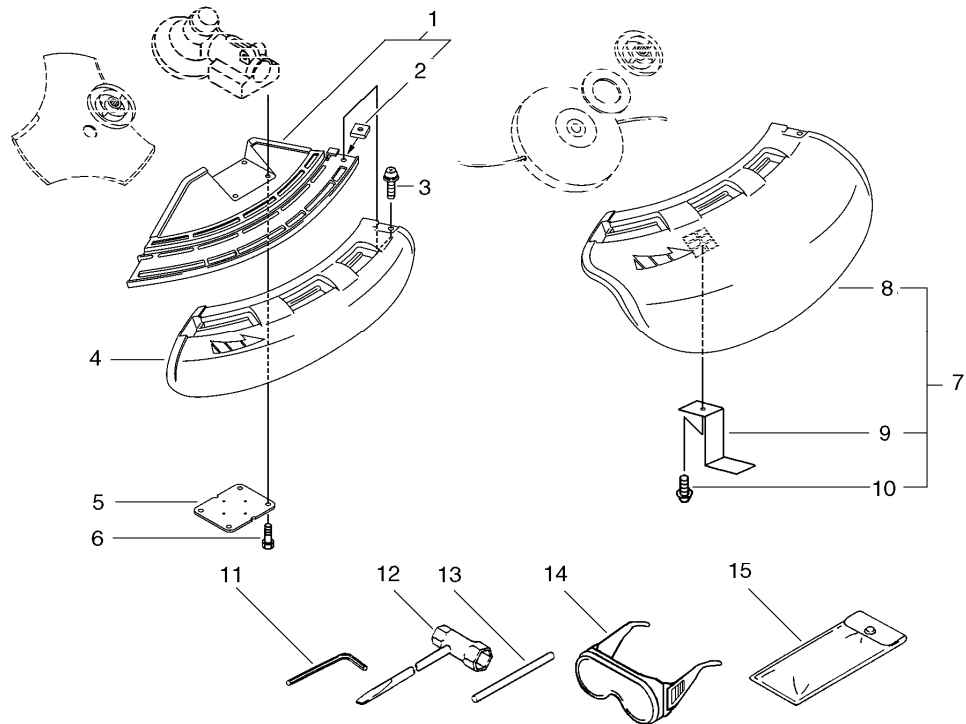
KEY	LV	PART NUMBER	Q'TY	DESCRIPTION	REMARKS	NOTE1	NOTE2
1		P021-035820	1	HOUSING ASY,GEAR			
2	+	610320-52130	1	NUT 10			
3	+	699229-56830	1	PLATE, COVER			
4	+	610314-52130	1	PLATE, ADAPTER (L)			
5	+	C535-000920	1	FIXTURE, BLADE			
6	++	610352-56830	1	PLATE, CUP			
7	++	900720-00012	1	O-RING 12	P-12		
8	++	C535-000930	1	FIXTURE, BLADE			
9	+	900702-00042	1	CIRCLIP 42	CR-42		
10	+	V313-000090	1	WASHER,CIRCULAR 20			
11	+	900812-06302	1	BEARING, BALL	BB6302 LLU,DDU		
12	+	C534-000850	1	SHAFT, GEAR			
13	+	900706-00012	1	CIRCLIP 12	WR-12		
14	+	V000-000110	1	GEAR SET, BEVEL			
15	+	900810-00629	1	BEARING, BALL 629	629		
16	+	900701-00009	1	CIRCLIP 9	CS-9		
17	+	610473-52131	1	SPRING			
18	+	900603-50008	1	WASHER	8.5*18*0.8T		
19	+	610434-50031	1	BOLT 8*8	M8*8		
20	+	900242-05010	1	SCREW 5*10	5*10		
21	+	91118-06025	1	BOLT			
22	+	900855-06900	2	BEARING, BALL 6900	6900		
23	+	900858-06900	1	BEARING, BALL 6900Z	6900Z		
24	+	900702-00022	1	CIRCLIP 22	CR-22		
25	+	900706-00010	1	CIRCLIP 10	WR-10		

6. GEAR CASE, CUTTER



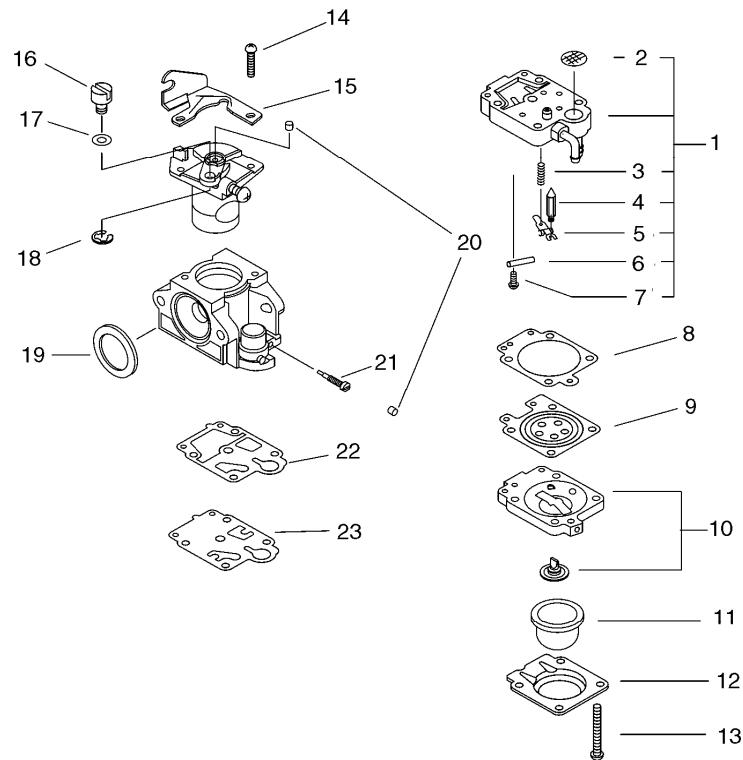
KEY	LV	PART NUMBER	Q'TY	DESCRIPTION	REMARKS	NOTE1	NOTE2
30		X047-000321	1	CUTTER,ASM LINE			
31	+	P022-010420	1	HOUSING			
32	+	P022-023180	1	NUT			
33	+	P022-010370	1	SPRING			
34	+	P022-010380	1	NYLON CODE			
35	+	P022-010400	1	BOBBIN			
36	+	P022-000710	2	EYELET	T4		
37	+	P022-010410	1	COVER			

7. SHIELD



KEY	LV	PART NUMBER	Q'TY	DESCRIPTION	REMARKS	NOTE1	NOTE2
1		C550-000100	1	SHIELD,BLADE			
2	+	900565-00005	1	NUT	5		
3		91118-05018	1	BOLT	CM-5*18		
4		C550-000090	1	SHIELD,BLADE			
5		699013-56830	1	PLATE, SHIELD			
6		91118-05025	4	BOLT	CM-5*25		
7		P021-013770	1	SHIELD KIT			
8	+	C550-000080	1	SHIELD,BLADE			
9	+	C554-000030	1	KNIFE, CORD	17INCH		
10	+	900252-05012	1	SCREW 5*12	5*12		
11		895610-00130	1	L-WRENCH (4MM)			
12		X602-000020	1	TOOL,WRENCH	17*19 L200		
13		X606-000080	1	TOOL,BAR	5*120		
14		X690-000050	1	GOGGLE	GOGGLE + NOTE		
15		898510-39130	1	BAG, TOOL			

8. CARBURETOR



KEY	LV	PART NUMBER	Q'TY	DESCRIPTION	REMARKS	NOTE1	NOTE2
		A021-001340	1	CARBURETOR,DIAPHRAGM	WYK-233A		
1	+	P003-000440	1	BODY ASY, PUMP			
2	++	123126-10631	1	SCREEN, INLET			
3	++	P003-000450	1	SPRING, METER. LEVER			
4	++	123137-19830	1	VALVE, INLET NEEDLE			
5	++	123123-03930	1	LEVER, METERING			
6	++	123138-03930	1	PIN, METERING LEVER			
7	++	123139-05560	1	SCREW, M. LEVER PIN			
8	+	123140-05560	1	GASKET, M. DIAPHRAGM			
9	+	P003-001850	1	DIAPHRAGM, METERING			
10	+	123180-05560	1	BODY, AIR PURGE			
11	+	123181-40630	1	PUMP, PRIMER			
12	+	123142-05560	1	COVER, PRIMER PUMP			
13	+	123110-05560	4	SCREW, PUMP COVER			
14	+	123114-40630	2	SCREW			
15	+	P003-000180	1	BRACKET CABLE			
16	+	123172-45130	1	SWIVEL			
17	+	123149-54230	1	WASHER			
18	+	123173-07930	1	CLIP			
19	+	123143-12110	1	RING, PACKING			
20	+	A259-000000	2	CAP,LIMITER	WALBRO 88-265		
21	+	P003-001130	1	NEEDLE, HIGH SPEED			
22	+	P003-000100	1	GASKET, PUMP			
23	+	123112-40630	1	DIAPHRAGM, PUMP			

Index

Patrs Number	Key No.	Patrs Number	Key No.	Patrs Number	Key No.
100012-16131	1 - 14	610473-52131	6 - 17	91128-05028	1 - 18
100013-35430	1 - 12	699013-56830	7 - 5	91367-04010	3 - 19
100015-03931	1 - 11	699229-56830	6 - 3	92280-05000	3 - 22
100142-12330	1 - 33	890152-04930	5 - 43	94035-36201	1 - 21
100212-03930	1 - 17	890332-52730	3 - 11	A011-000471	1 - 15
100215-03930	1 - 29	890617-43130	5 - 31	A021-001340	3 - 5
123110-05560	8 - 13	895610-00130	7 - 11	A021-001340	8 -
123112-40630	8 - 23	898510-39130	7 - 15	A051-001211	2 - 20
123114-40630	8 - 14	900106-05016	3 - 29	A052-000180	2 - 15
123123-03930	8 - 5	900106-05030	3 - 3	A101-000170	1 - 10
123126-10631	8 - 2	900162-05020	2 - 3	A127-000150	3 - 28
123137-19830	8 - 4	900242-05010	3 - 27	A130-000800	1 - 6
123138-03930	8 - 6	900242-05010	6 - 20	A160-000800	1 - 3
123139-05560	8 - 7	900242-05060	3 - 8	A162-000110	1 - 2
123140-05560	8 - 8	900252-05012	7 - 10	A175-000040	2 - 32
123142-05560	8 - 12	900256-04016	5 - 2	A200-000270	3 - 2
123143-12110	8 - 19	900500-00005	3 - 23	A226-000471	3 - 9
123149-54230	8 - 17	900500-00005	5 - 4	A232-000360	3 - 10
123172-45130	8 - 16	900502-00006	5 - 44	A244-000070	3 - 7
123173-07930	8 - 18	900502-00008	2 - 19	A259-000000	8 - 20
123180-05560	8 - 10	900515-00008	2 - 8	A300-000640	3 - 16
123181-40630	8 - 11	900565-00005	7 - 2	A313-000860	3 - 18
131016-55830	4 - 2	900565-50008	5 - 24	A320-000400	3 - 24
131205-19831	4 - 10	900603-50008	6 - 18	A350-000500	4 - 4
132012-56030	4 - 12	900701-00009	6 - 16	A356-000030	4 - 5
132013-09820	4 - 9	900701-00012	1 - 24	A365-000060	4 - 3
132013-26630	4 - 6	900702-00022	6 - 24	A409-000290	2 - 9
132115-55930	4 - 8	900702-00028	1 - 27	A411-000312	2 - 2
145862-40630	3 - 17	900702-00032	1 - 19	A425-000000	2 - 7
159011-03432	2 - 6	900702-00042	6 - 9	A506-000080	2 - 24
159012-03433	2 - 5	900706-00010	6 - 25	A553-000050	2 - 12
159112-09961	5 - 13	900706-00012	6 - 13	A556-000430	1 - 28
162014-27230	3 - 26	900720-00012	6 - 7	A566-000020	2 - 14
175046-56030	2 - 10	900807-06001	1 - 26	C050-000870	5 - 32
175048-05530	2 - 13	900810-00629	6 - 15	C062-000192	5 - 42
175049-56030	2 - 11	900812-06302	6 - 11	C400-000211	5 - 33
177220-40630	2 - 25	900855-06900	6 - 22	C403-000031	5 - 30
177227-42030	2 - 29	900858-06900	6 - 23	C423-000042	5 - 22
177228-27030	2 - 28	91118-05018	7 - 3	C450-000270	5 - 7
177236-61830	2 - 21	91118-05025	7 - 6	C460-000111	5 - 5
177246-11120	2 - 30	91118-05030	5 - 23	C463-000020	5 - 10
224924-52130	5 - 41	91118-06025	6 - 21	C504-000050	5 - 34
301015-05330	5 - 38	91119-05030	5 - 3	C534-000850	6 - 12
301205-21330	5 - 37	91121-05010	1 - 5	C535-000920	6 - 5
605014-54230	5 - 21	91121-05012	5 - 39	C535-000930	6 - 8
610314-52130	6 - 4	91121-05020	1 - 25	C550-000080	7 - 8
610320-52130	6 - 2	91121-05020	2 - 33	C550-000090	7 - 4
610352-56830	6 - 6	91121-05025	1 - 32	C550-000100	7 - 1
610434-50031	6 - 19	91128-05025	1 - 7	C554-000030	7 - 9

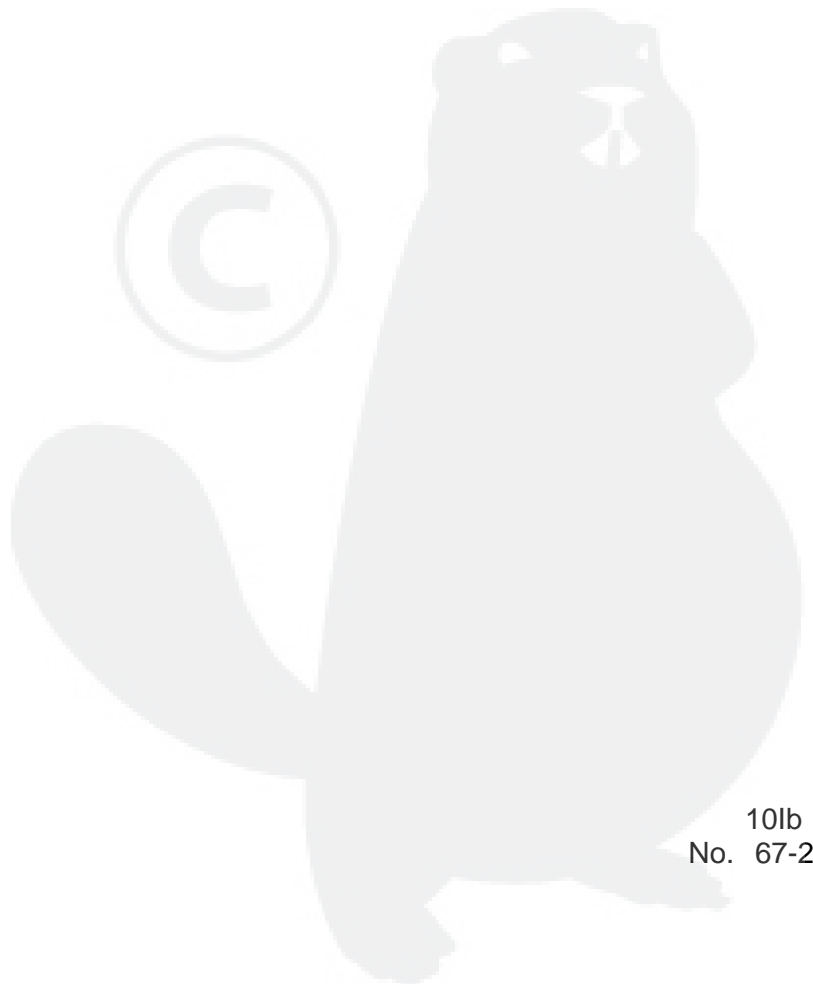
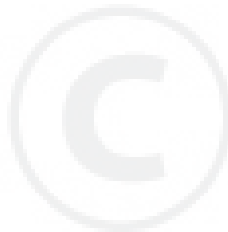
Index

Patrs Number	Key No.	Patrs Number	Key No.	Patrs Number	Key No.
P003-000100	8 - 22	V420-001400	1 - 31		
P003-000180	8 - 15	V430-002080	5 - 15		
P003-000440	8 - 1	V452-000350	5 - 6		
P003-000450	8 - 3	V452-000360	5 - 8		
P003-001130	8 - 21	V470-000580	4 - 11		
P003-001850	8 - 9	V471-000110	4 - 7		
P021-010730	1 - 9	V485-000810	2 - 1		
P021-010741	1 - 16	V505-000020	1 - 22		
P021-010760	3 - 6	X047-000321	6 - 30		
P021-012210	4 - 1	X502-000330	2 - 35		
P021-012821	5 - 19	X505-002310	3 - 25		
P021-013580	5 - 36	X547-001810	1 - 4		
P021-013770	7 - 7	X602-000020	7 - 12		
P021-013900	1 - 30	X606-000080	7 - 13		
P021-014090	5 - 1	X690-000050	7 - 14		
P021-014330	1 - 23				
P021-035820	6 - 1				
P021-042300	5 - 9				
P022-000710	6 - 36				
P022-002100	2 - 16				
P022-006510	2 - 17				
P022-006850	2 - 18				
P022-008270	2 - 23				
P022-008280	2 - 22				
P022-010370	6 - 33				
P022-010380	6 - 34				
P022-010400	6 - 35				
P022-010410	6 - 37				
P022-010420	6 - 31				
P022-022010	2 - 27				
P022-022110	2 - 26				
P022-023180	6 - 32				
V000-000110	6 - 14				
V100-000201	1 - 8				
V102-000030	1 - 20				
V103-000160	3 - 4				
V103-000380	3 - 1				
V104-000790	3 - 20				
V104-000810	3 - 14				
V150-001760	3 - 21				
V203-000120	3 - 13				
V203-000280	2 - 31				
V203-000280	3 - 15				
V203-000290	1 - 1				
V299-000110	5 - 20				
V299-000250	3 - 12				
V306-000200	1 - 13				
V313-000090	6 - 10				
V323-000070	2 - 34				

YAMABIKO CORPORATION

7-2 SUEHIROCHO 1-CHOME, OHME, TOKYO 198-8760, JAPAN
PHONE: 81-428-32-6118. FAX: 81-428-32-6145.

ECHO®



10lb
No. 67-274