



PARTS CATALOG

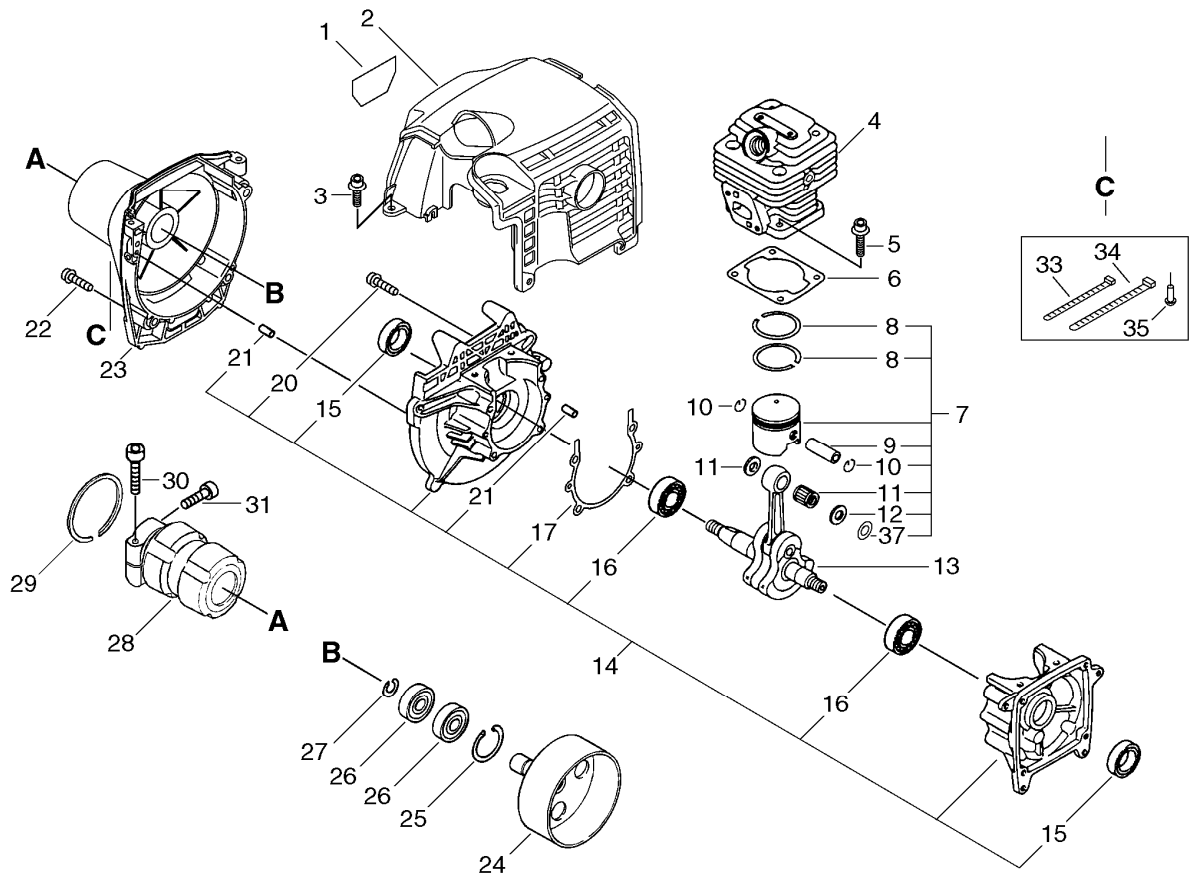
GRASS-TRIMMER / BRUSHCUTTER

SRM-330ES/U (37)

36028554 -

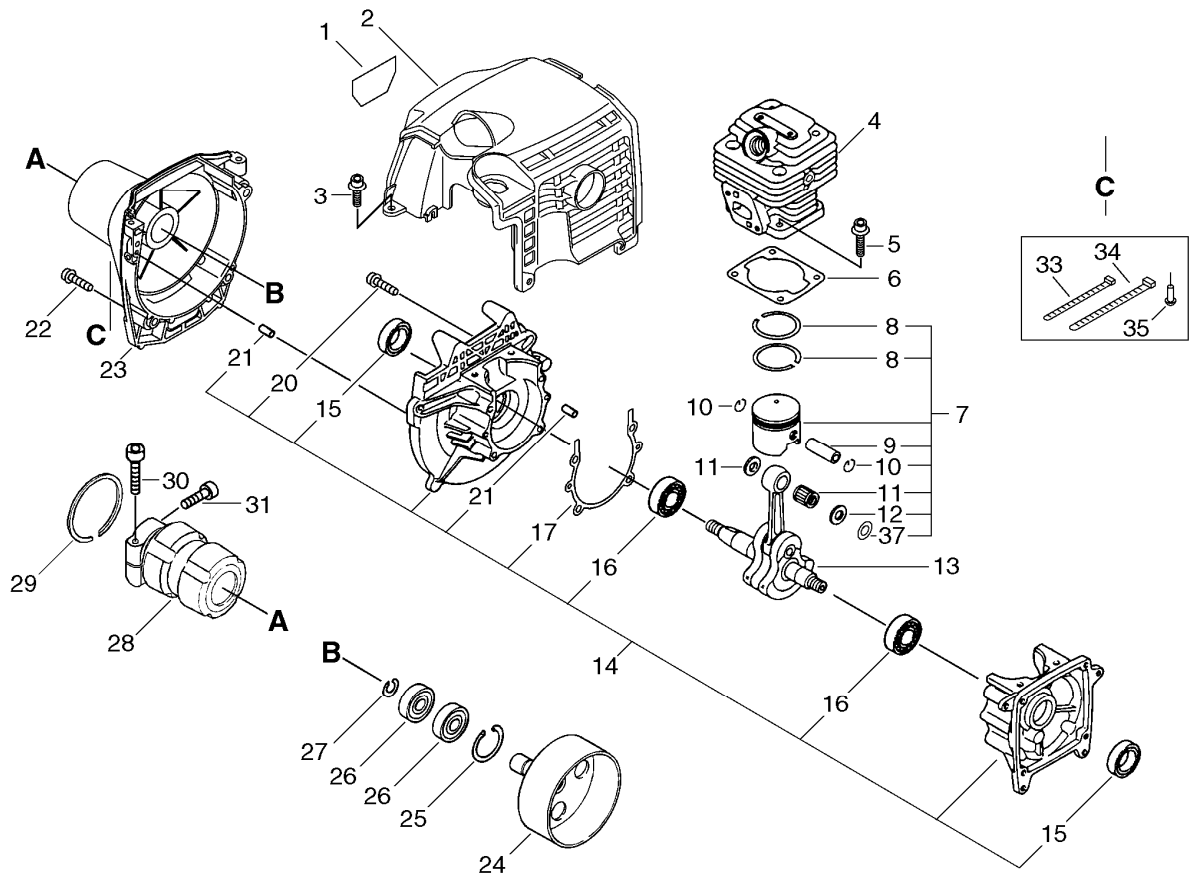
P014-000720-10Hb

1. CYLINDER, CRANKCASE, PISTON



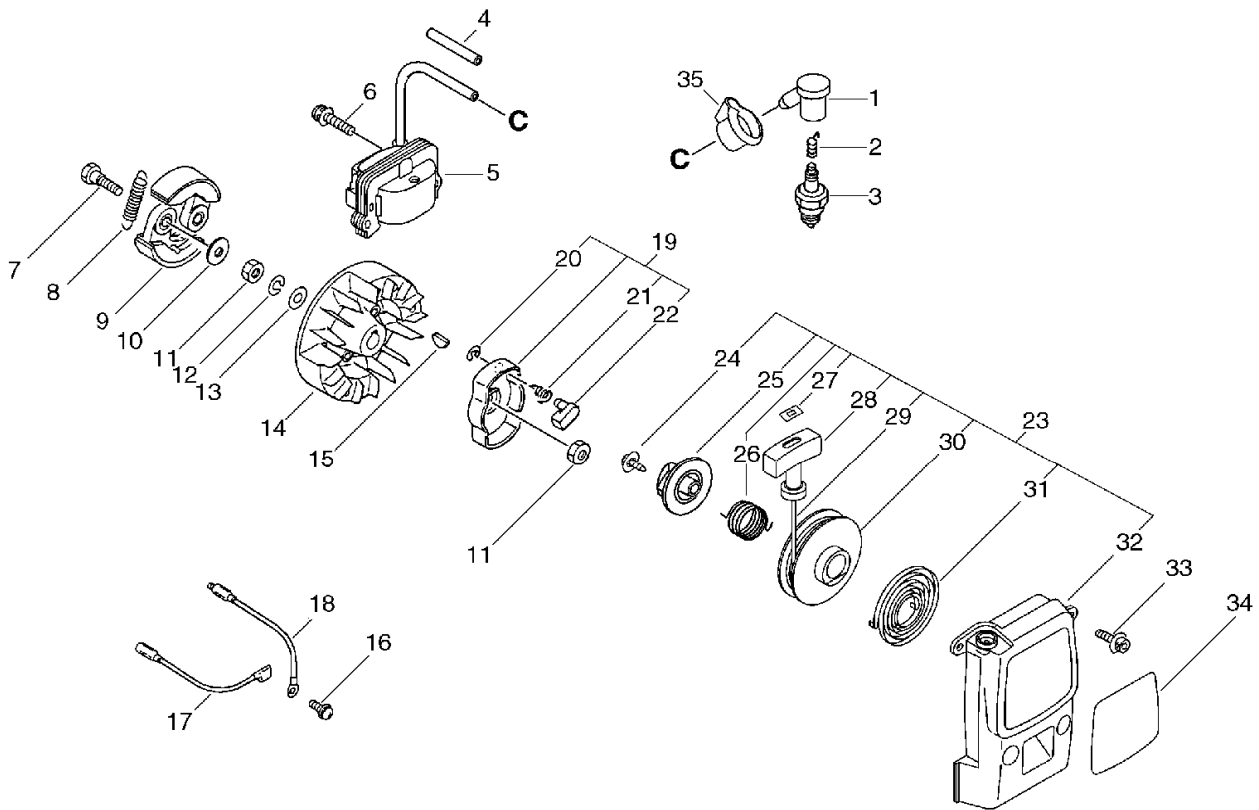
KEY	LV	PART NUMBER	Q'TY	DESCRIPTION	REMARKS	NOTE1	NOTE2
1		X547-000980	1	LABEL,ECHO	ECHO+SRM-330ES		
2		A160-000391	1	COVER,CYLINDER			
3		91121-05012	2	BOLT, FLANGE	10.9 SILVER		
4		A130-000630	1	CYLINDER			
5		900162-05020	4	BOLT, H.S. 5*20	5*20 W,SW		
6		101010-55430	1	GASKET, CYL. BASE			
7		P021-006802	1	PISTON KIT			
8	+	A101-000080	2	RING,PISTON			
9	+	100013-27430	1	PIN, PISTON			
10	+	100015-03931	2	CIRCLIP, PISTON PIN			
11	+	100012-16131	1	BEARING, NEEDLE			
12	+	100014-53630	2	SPACER, PISTON PIN			
37	+	V306-000121	1	WASHER,CIRCULAR 8	9.1*16*T1		
13		100100-55430	1	CRANKSHAFT ASSY			
14		100204-55430	1	CRANKCASE KIT			
15	+	100213-05530	2	OILSEAL	ISCD 12 22 7		
16	+	94035-36201	2	BEARING BALL	6201X3JR2C3		
17	+	100242-55430	1	GASKET, CRANKCASE			
20	+	900162-05030	4	BOLT, H.S. 5*30	5*30 W,SW		
21	+	100215-03930	4	PIN, DOWEL			
22		A172-000540	1	COVER,FAN			
23		91118-05020	4	BOLT	CM-5*20		
24		175005-49930	1	DRUM, CLUTCH			
25		900702-00028	1	CIRCLIP 28	CR-28		
26		900807-06001	2	BEARING, BALL 6001	6001V(LB)		

1. CYLINDER, CRANKCASE, PISTON



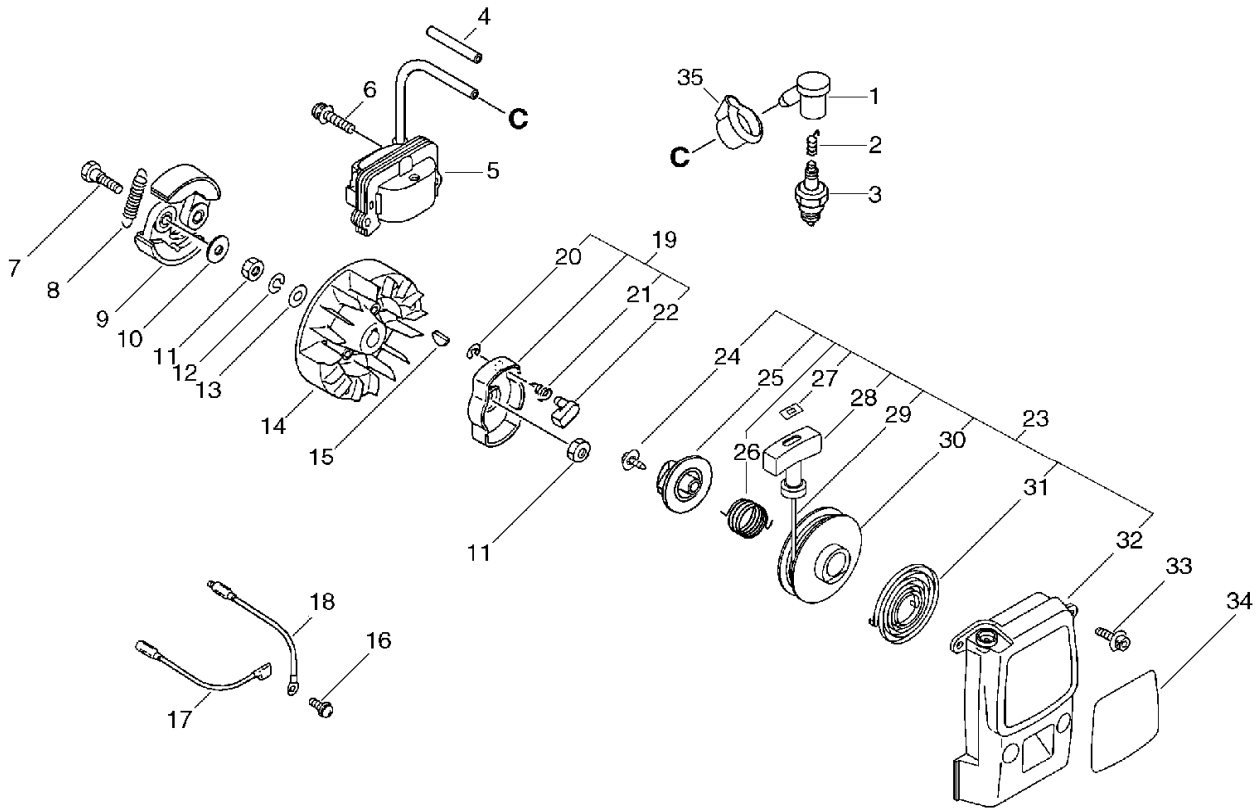
KEY	LV	PART NUMBER	Q'TY	DESCRIPTION	REMARKS	NOTE1	NOTE2
27		900701-00012	1	CIRCLIP 12	CS-12		
28		V420-000420	1	CUSHION			
29		900702-00045	1	RING, RETAINING(IN)	CR-45		
30		91118-05028	1	BOLT	CM-5*28		
31		91118-05012	1	BOLT	CM-5*12		
33		178121-43230	1	BAND	CV-150 BL		
34		V495-000760	1	BAND	CV-250A		
35		302013-10910	1	RIVET			

2. STARTER, MAGNETO, MUFFLER



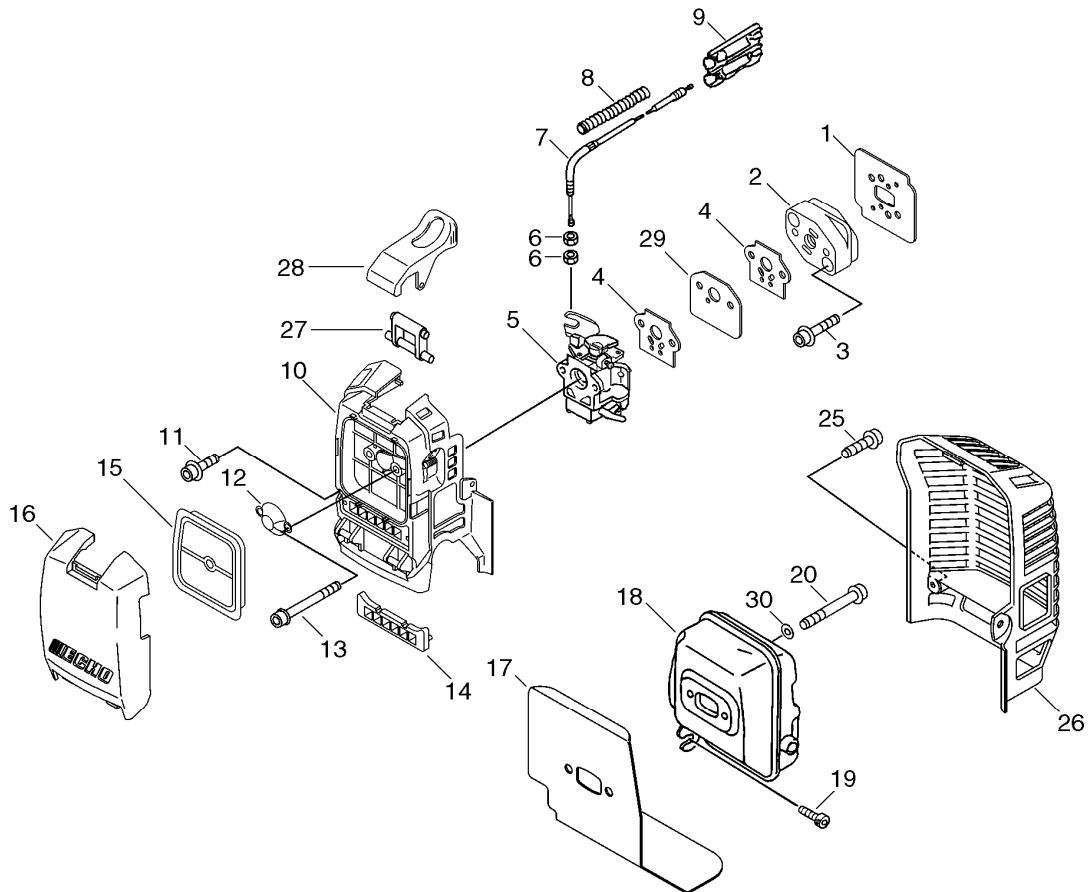
KEY	LV	PART NUMBER	Q'TY	DESCRIPTION	REMARKS	NOTE1	NOTE2
1		A427-000000	1	CAP, SPARK PLUG			
2		A426-000000	1	TERMINAL, SPARK PLUG			
3		159010-10230	1	PLUG, SPARK (BPMR-7A)	BPMR-7A		
4		437412-16430	1	TUBE, PROTECTOR			
5		152626-55730	1	COIL, IGNITION			
6		900162-05020	2	BOLT, H.S. 5*20	5*20 W, SW		
7		175046-46430	2	BOLT, CLUTCH			
8		175018-49932	1	SPRING, CLUTCH			
9		A553-000000	2	ARM, CLUTCH			
10		175048-05530	2	WASHER (I)	6.2*19*1.0		
11		900502-00008	2	NUT 8 (3N)	3N8		
12		900605-00008	1	WASHER, SPRING 8	8		
13		900600-00008	1	WASHER 8	8		
14		152801-55430	1	ROTOR, MAGNET			
15		100142-12330	1	KEY, WOODRUFF			
16		900238-05010	1	SCREW 5*10	5*10		
17		V485-000230	1	LEAD			
18		V485-000240	1	LEAD			
19		A052-000190	1	PULLEY, ASM STARTER			
20	+	P022-002100	2	E-RING	4		
21	+	177234-40630	2	SPRING, RETURN			
22	+	P022-006850	2	PAWL, STARTER			
23		A051-000760	1	STARTER, RECOIL			
24	+	177236-61830	1	SCREW			
25	+	P022-008460	1	PLATE, CAM			
26	+	P022-008450	1	SPRING, DAMPER			

2. STARTER, MAGNETO, MUFFLER



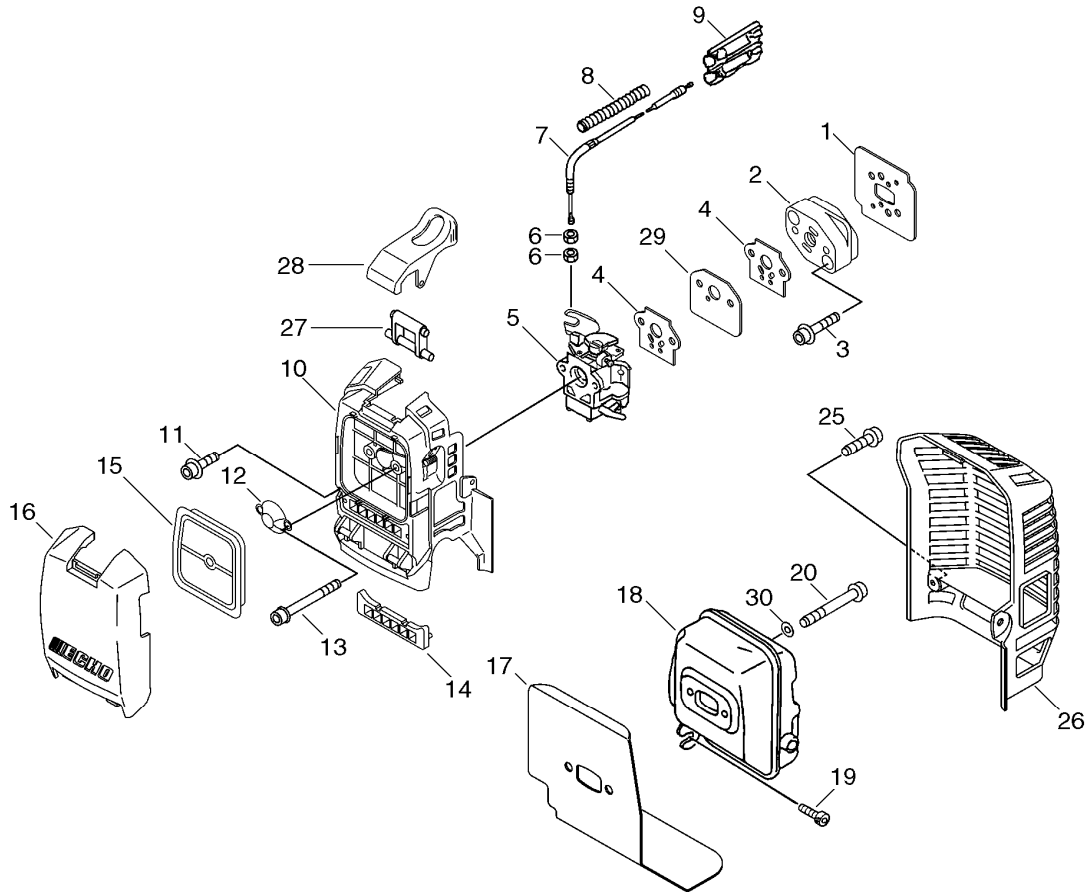
KEY	LV	PART NUMBER	Q'TY	DESCRIPTION	REMARKS	NOTE1	NOTE2
27	+	177246-11120	1	CLIP, STARTER ROPE			
28	+	177228-27030	1	GRIP, STARTER			
29	+	P022-008440	1	ROPE, STARTER	3.5*900		
30	+	P022-008470	1	DRUM			
31	+	177220-40630	1	SPRING, REWIND			
32	+	P022-008540	1	STARTER, RECOIL			
33		91121-05016	4	BOLT, FLANGE	10.9 SILVER		
34		X502-000520	1	LABEL, ECHO			

3. AIR CLEANER, MUFFLER



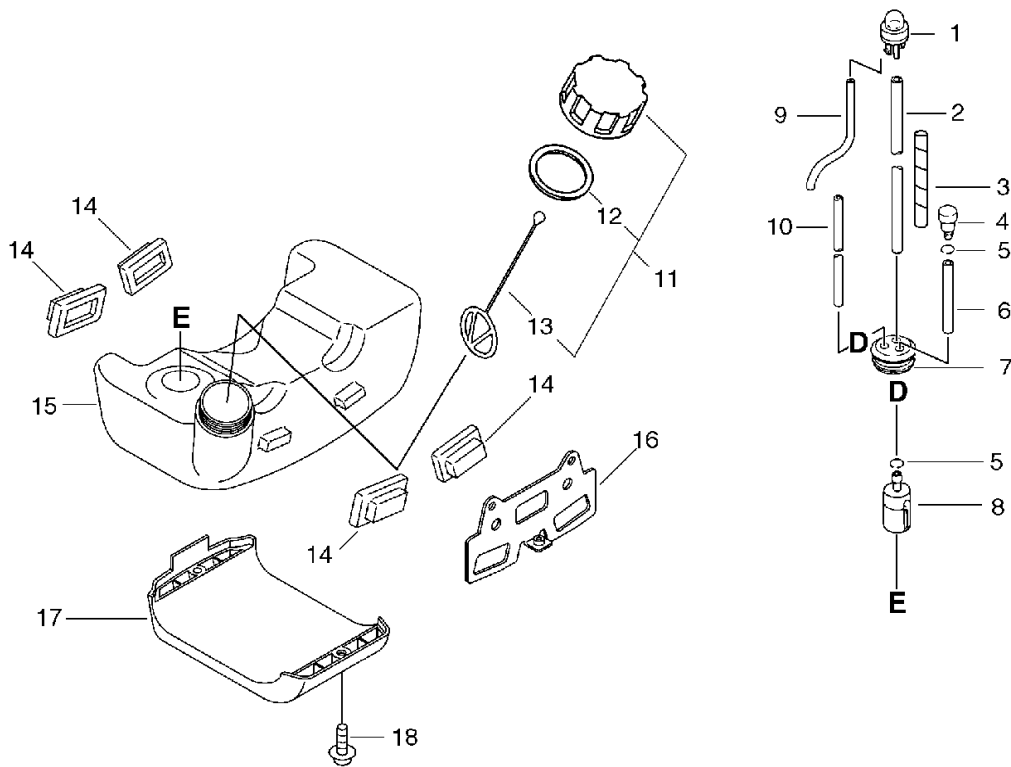
KEY	LV	PART NUMBER	Q'TY	DESCRIPTION	REMARKS	NOTE1	NOTE2
1		V103-000150	1	GASKET,INTAKE			
2		A200-000090	1	INSULATOR,INTAKE			
3		900162-05025	2	BOLT, H.S. 5*25	5*25 W,SW		
4		V103-000160	2	GASKET,INTAKE			
5		A021-000421	1	CARBURETOR,DIAPHRAGM	WYJ-312A		
6		900502-00006	2	NUT 6 (3N)	3N6		
7		V430-000540	1	CABLE,BOWDEN			
8		V475-002210	1	TUBE			
9		178081-55931	1	CONNECTOR,CABLE			
9		178081-55932	1	CONNECTOR,CABLE			
10		P021-004280	1	CASE,AIR CLEANER			
11		900106-05012	1	BOLT, H.S. 5*12	5*12		
12		A244-000010	1	PLATE,PREVENT			
13		900105-05060	2	BOLT, H.S. 5*60	5*60		
14		V420-000640	1	CUSHION			
15		A226-000140	1	ELEMENT,AIR FILTER			
16		A232-000151	1	LID,CLEANER			
17		V104-000330	1	GASKET,EXHAUST			
18		P021-008870	1	MUFFLER ASY			
19		900162-05012	1	BOLT, H.S. 5*12	5*12 W,SW		
20		900105-05060	2	BOLT, H.S. 5*60	5*60		
25		91121-05012	1	BOLT, FLANGE	10.9 SILVER		
26		A320-000130	1	COVER,MUFFLER			
27		J485-000030	1	HINGE			
28		A235-000100	1	KNOB,CLEANER LID			
29		A200-000100	1	INSULATOR,INTAKE			

3. AIR CLEANER, MUFFLER



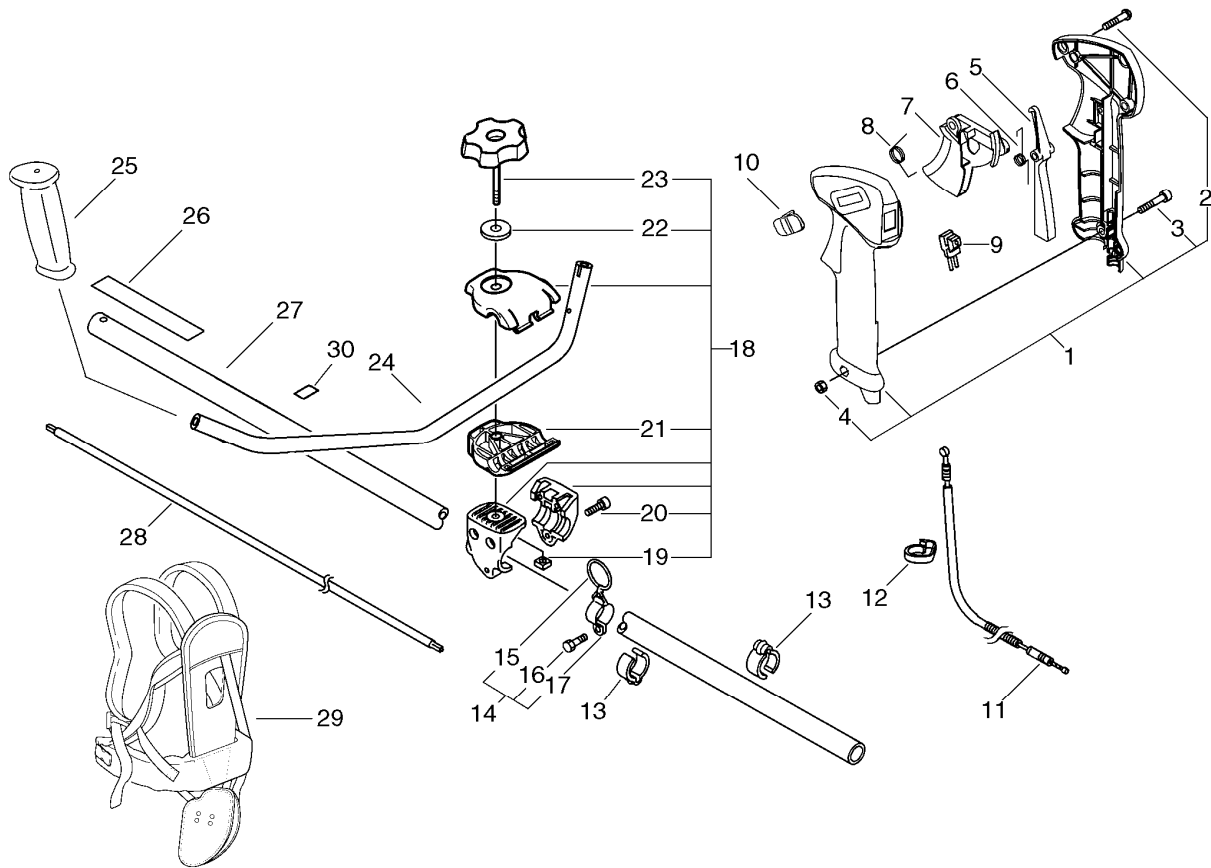
KEY	LV	PART NUMBER	Q'TY	DESCRIPTION	REMARKS	NOTE1	NOTE2
30		900600-00005	2	WASHER 5	5		

4. FUEL TANK



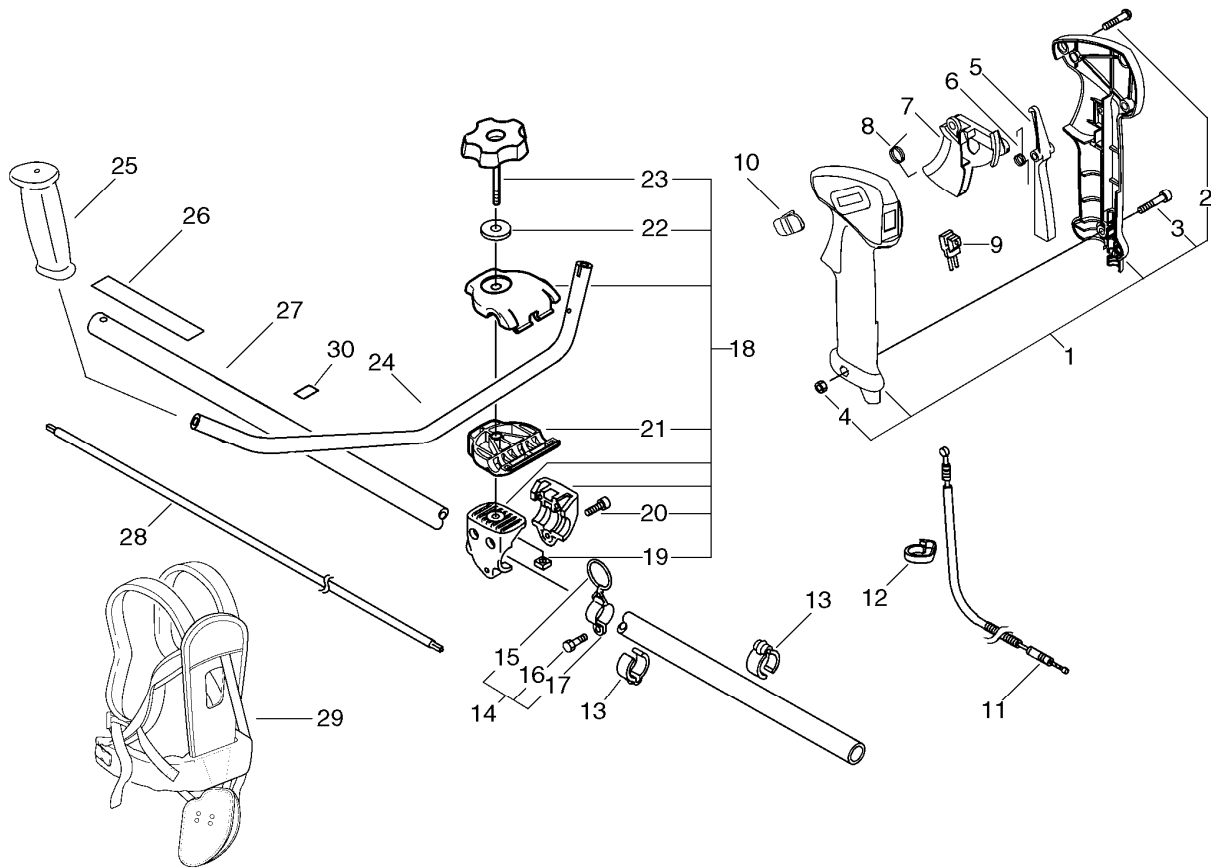
KEY	LV	PART NUMBER	Q'TY	DESCRIPTION	REMARKS	NOTE1	NOTE2
1		123181-39130	1	PUMP, PRIMER			
2		132010-22130	1	PIPE, FUEL	3*6*150L NBR		
3		V475-002240	1	TUBE			
4		131300-56430	1	VALVE, CHECK			
5		132013-26630	2	CLIP	6.5MM		
6		V471-001180	1	PIPE	3*6*35 NBR		
7		132115-55930	1	GROMMET, FUEL			
8		131205-14930	1	STRAINER, FUEL			
9		V471-000640	1	PIPE	2.38*4.76*105		
10		132010-53630	1	PIPE	3*6*180 NBR		
11		P021-004290	1	CAP ASY, FUEL TANK			
12	+	131016-55830	1	GASKET, FUEL CAP			
13	+	A365-000060	1	CONNECTOR, CAP	L=123		
14		131920-55430	4	CUSHION, FUEL TANK			
15		A350-000200	1	TANK, FUEL			
16		A393-000060	1	BRACKET, FUEL TANK			
17		A175-000011	1	STAND			
18		91121-05016	2	BOLT, FLANGE	10.9 SILVER		

5. U-HANDLE



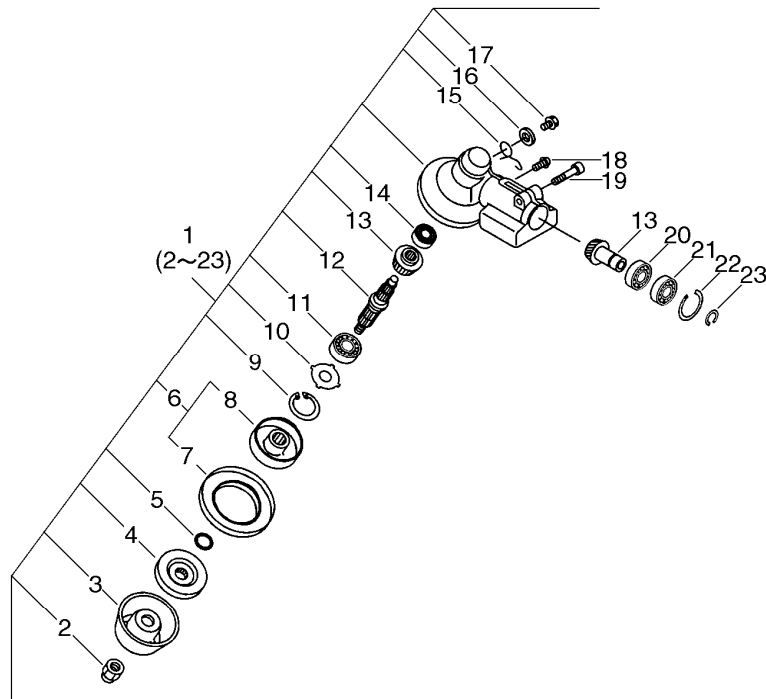
KEY	LV	PART NUMBER	Q'TY	DESCRIPTION	REMARKS	NOTE1	NOTE2
1		P021-014090	1	GRIP ASY,F-HANDLE			
2	+	900256-04016	3	SCREW 4*16			
3	+	91119-05030	1	BOLT			
4	+	900500-00005	1	NUT 5	5		
5		C460-000111	1	LOCKOUT, THROTTLE	70MM		
6		V452-000350	1	SPRING,TORSION			
7		C450-000270	1	CONTROL, THROTTLE			
8		V452-000360	1	SPRING,TORSION			
9		A440-001000	1	SWITCH, ON OFF			
10		C463-000020	1	KNOB, LATCH			
11		V430-002020	1	CABLE,BOWDEN			
12		159112-09961	1	CLIP			
13		224924-52930	2	CLIP	28MM		
14		301200-05230	1	HOOK ASS'Y			
15	+	301015-05330	1	HOOK, BAND			
16	+	91119-05012	1	BOLT			
17	+	301210-04630	1	HOOK			
18		P021-002761	1	BRACKET ASY, HANDLE			
18		P021-012741	1	BRACKET ASY, HANDLE			
19	+	900565-50008	1	NUT			
20	+	91118-05030	3	BOLT			
21	+	C423-000041	1	FIXTURE,HANDLE			
21	+	C423-000042	1	FIXTURE,HANDLE			
22	+	605014-54230	1	WASHER			
23	+	V299-000110	1	KNOB,FASTENER			
24		C400-000211	1	HANDLE,FRONT			

5. U-HANDLE



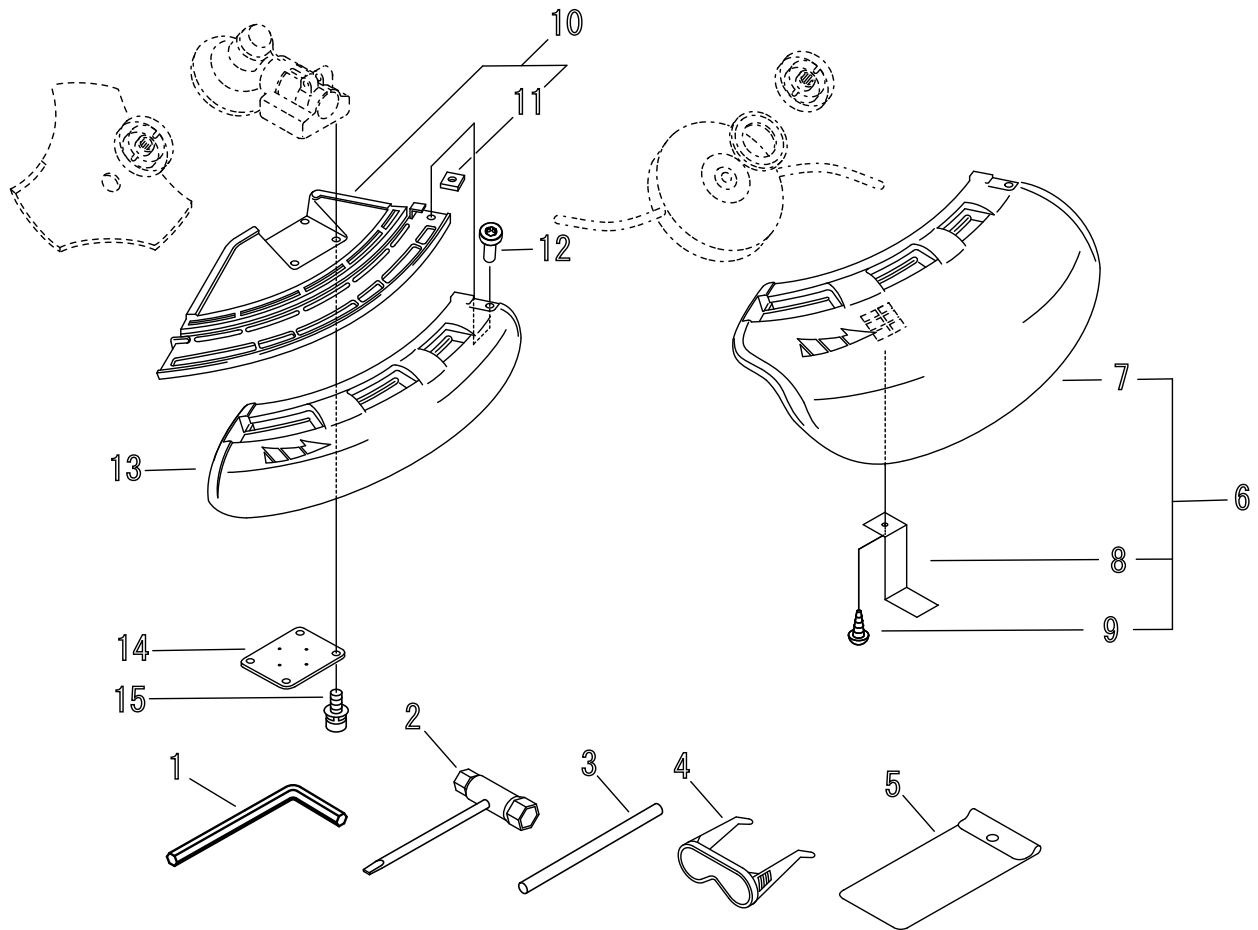
KEY	LV	PART NUMBER	Q'TY	DESCRIPTION	REMARKS	NOTE1	NOTE2
25		C403-000031	1	GRIP,HANDLE			
26		890617-43130	1	LABEL,CAUTION			
27		C050-000410	1	PIPE,MAIN			
28		610011-49930	1	SHAFT, DRIVE			
28		610011-49931	1	SHAFT, DRIVE			
29		C062-000192	1	HARNES,SHOULDER			
30		890152-04930	1	LABEL, CAUTION			

6. GEAR CASE



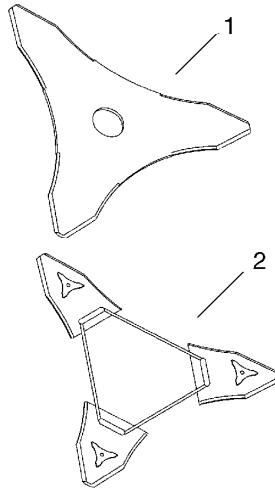
KEY	LV	PART NUMBER	Q'TY	DESCRIPTION	REMARKS	NOTE1	NOTE2
1		P021-012591	1	CASE, GEAR			
2	+	610320-52130	1	NUT 10			
3	+	699229-56830	1	PLATE, COVER			
4	+	610314-52130	1	PLATE, ADAPTER (L)			
5	+	900720-00012	1	O-RING 12	P-12		
6	+	610313-52932	1	FIXTURE, BLADE			
7	++	610352-56830	1	PLATE, CUP			
8	++	610313-52132	1	FIXTURE, BLADE			
9	+	900702-00032	1	CIRCLIP 32	CR-32		
10	+	610444-56830	1	WASHER			
11	+	900812-06201	1	BEARING, BALL 6201	6201DDU(LLU)		
12	+	610310-56930	1	SHAFT, P.T.O.			
12	+	610310-56931	1	SHAFT, P.T.O.			
13	+	610300-56930	1	GEAR SET			
14	+	900810-00629	1	BEARING, BALL 629			
15	+	610473-52131	1	SPRING			
16	+	900603-50008	1	WASHER	8.5*18*0.8T		
17	+	610434-50031	1	BOLT 8*8	M8*8		
18	+	900242-05010	1	SCREW 5*10			
19	+	91118-06030	1	BOLT			
20	+	900800-06001	1	BEARING, BALL 6001			
21	+	900803-06001	1	BEARING, BALL 6001			
22	+	900702-00028	1	CIRCLIP 28	CR-28		
23	+	900701-00012	1	CIRCLIP 12	CS-12		

7. SHIELD



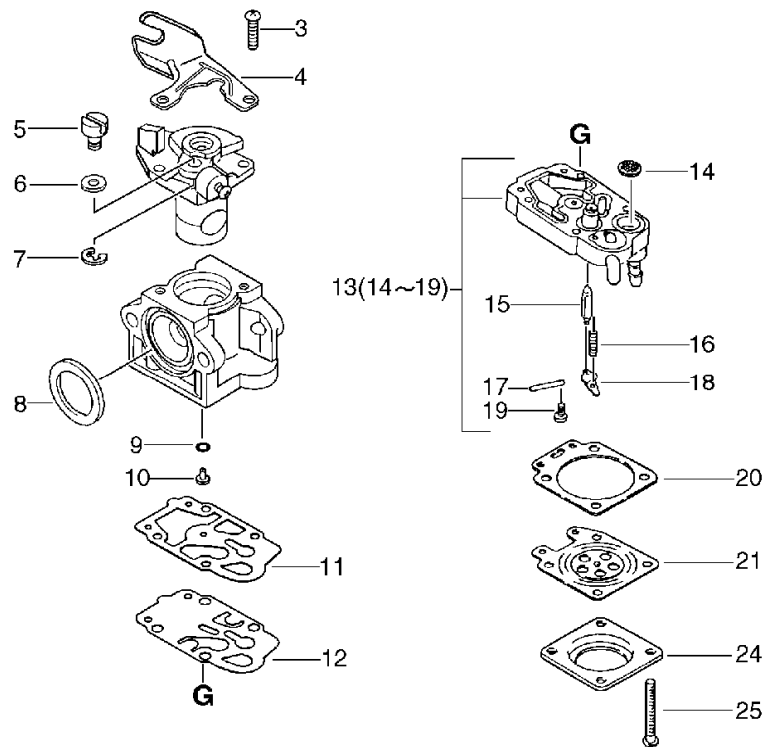
KEY	LV	PART NUMBER	Q'TY	DESCRIPTION	REMARKS	NOTE1	NOTE2
1		895610-00130	1	L-WRENCH (4MM)			
2		X602-000020	1	TOOL,WRENCH	17*19 L200		
3		X606-000080	1	TOOL,BAR	5*120		
4		P021-002861	1	GOGGLES			
5		898510-07130	1	BAG, TOOL			
6		P021-013770	1	SHIELD KIT			
7	+	C550-000080	1	SHIELD,BLADE			
8	+	C554-000030	1	KNIFE, CORD			
9	+	900252-05012	1	SCREW 5*12			
10		C550-000100	1	SHIELD,BLADE			
11	+	900565-00005	1	NUT	5		
12		900242-05018	1	SCREW 5*18	5*18		
13		C550-000090	1	SHIELD,BLADE			
14		699013-56830	1	PLATE, SHIELD			
15		91118-05025	4	BOLT			

8. CUTTER



KEY	LV	PART NUMBER	Q'TY	DESCRIPTION	REMARKS	NOTE1	NOTE2
1		P021-014320	1	SAW,BUSH CUTTER	255*T3.0		
2		X495-000280	1	SCABBARD,BLADE	9", 10" 3 CUTTER		

9. CARBURETOR



KEY	LV	PART NUMBER	Q'TY	DESCRIPTION	REMARKS	NOTE1	NOTE2
		A021-000421	1	CARBURETOR,DIAPHRAGM	WYJ-312A		
3	+	123114-40630	2	SCREW			
4	+	P003-000180	1	BRACKET CABLE			
5	+	123172-45130	1	SWIVEL			
6	+	123149-54230	1	WASHER			
7	+	123173-07930	1	CLIP			
8	+	123143-12110	1	RING, PACKING			
9	+	123183-40630	1	O-RING			
10	+	P003-000740	1	JET			
11	+	P003-000100	1	GASKET, PUMP			
12	+	123112-40630	1	DIAPHRAGM, PUMP			
13	+	P003-000720	1	BODY ASSEMBLY, PUMP			
14	++	123126-10631	1	SCREEN, INLET			
15	++	123137-19830	1	VALVE, INLET NEEDLE			
16	++	123122-05560	1	SPRING, METER. LEVER			
17	++	123138-03930	1	PIN, METERING LEVER			
18	++	123123-03930	1	LEVER, METERING			
19	++	123139-05560	1	SCREW, M. LEVER PIN			
20	+	123140-27230	1	GASKET, M. DIAPHRAGM			
21	+	P003-000090	1	METERING, DIAPHRAGM			
24	+	123142-03930	1	COVER, M. DIAPHRAGM			
25	+	123144-44330	4	SCREW			

Index

Patrs Number	Key No.	Patrs Number	Key No.	Patrs Number	Key No.
100012-16131	1 - 11	178081-55931	3 - 9	900603-50008	6 - 16
100013-27430	1 - 9	178081-55932	3 - 9	900605-00008	2 - 12
100014-53630	1 - 12	178121-43230	1 - 33	900701-00012	1 - 27
100015-03931	1 - 10	224924-52930	5 - 13	900701-00012	6 - 23
100100-55430	1 - 13	301015-05330	5 - 15	900702-00028	1 - 25
100142-12330	2 - 15	301200-05230	5 - 14	900702-00028	6 - 22
100204-55430	1 - 14	301210-04630	5 - 17	900702-00032	6 - 9
100213-05530	1 - 15	302013-10910	1 - 35	900702-00045	1 - 29
100215-03930	1 - 21	437412-16430	2 - 4	900720-00012	6 - 5
100242-55430	1 - 17	605014-54230	5 - 22	900800-06001	6 - 20
101010-55430	1 - 6	610011-49930	5 - 28	900803-06001	6 - 21
123112-40630	9 - 12	610011-49931	5 - 28	900807-06001	1 - 26
123114-40630	9 - 3	610300-56930	6 - 13	900810-00629	6 - 14
123122-05560	9 - 16	610310-56930	6 - 12	900812-06201	6 - 11
123123-03930	9 - 18	610310-56931	6 - 12	91118-05012	1 - 31
123126-10631	9 - 14	610313-52132	6 - 8	91118-05020	1 - 23
123137-19830	9 - 15	610313-52932	6 - 6	91118-05025	7 - 15
123138-03930	9 - 17	610314-52130	6 - 4	91118-05028	1 - 30
123139-05560	9 - 19	610320-52130	6 - 2	91118-05030	5 - 20
123140-27230	9 - 20	610352-56830	6 - 7	91118-06030	6 - 19
123142-03930	9 - 24	610434-50031	6 - 17	91119-05012	5 - 16
123143-12110	9 - 8	610444-56830	6 - 10	91119-05030	5 - 3
123144-44330	9 - 25	610473-52131	6 - 15	91121-05012	1 - 3
123149-54230	9 - 6	699013-56830	7 - 14	91121-05012	3 - 25
123172-45130	9 - 5	699229-56830	6 - 3	91121-05016	2 - 33
123173-07930	9 - 7	890152-04930	5 - 30	91121-05016	4 - 18
123181-39130	4 - 1	890617-43130	5 - 26	94035-36201	1 - 16
123183-40630	9 - 9	895610-00130	7 - 1	A021-000421	3 - 5
131016-55830	4 - 12	898510-07130	7 - 5	A021-000421	9 -
131205-14930	4 - 8	900105-05060	3 - 13	A051-000760	2 - 23
131300-56430	4 - 4	900105-05060	3 - 20	A052-000190	2 - 19
131920-55430	4 - 14	900106-05012	3 - 11	A101-000080	1 - 8
132010-22130	4 - 2	900162-05012	3 - 19	A130-000630	1 - 4
132010-53630	4 - 10	900162-05020	1 - 5	A160-000391	1 - 2
132013-26630	4 - 5	900162-05020	2 - 6	A172-000540	1 - 22
132115-55930	4 - 7	900162-05025	3 - 3	A175-000011	4 - 17
152626-55730	2 - 5	900162-05030	1 - 20	A200-000090	3 - 2
152801-55430	2 - 14	900238-05010	2 - 16	A200-000100	3 - 29
159010-10230	2 - 3	900242-05010	6 - 18	A226-000140	3 - 15
159112-09961	5 - 12	900242-05018	7 - 12	A232-000151	3 - 16
175005-49930	1 - 24	900252-05012	7 - 9	A235-000100	3 - 28
175018-49932	2 - 8	900256-04016	5 - 2	A244-000010	3 - 12
175046-46430	2 - 7	900500-00005	5 - 4	A320-000130	3 - 26
175048-05530	2 - 10	900502-00006	3 - 6	A350-000200	4 - 15
177220-40630	2 - 31	900502-00008	2 - 11	A365-000060	4 - 13
177228-27030	2 - 28	900565-00005	7 - 11	A393-000060	4 - 16
177234-40630	2 - 21	900565-50008	5 - 19	A426-000000	2 - 2
177236-61830	2 - 24	900600-00005	3 - 30	A427-000000	2 - 1
177246-11120	2 - 27	900600-00008	2 - 13	A440-001000	5 - 9

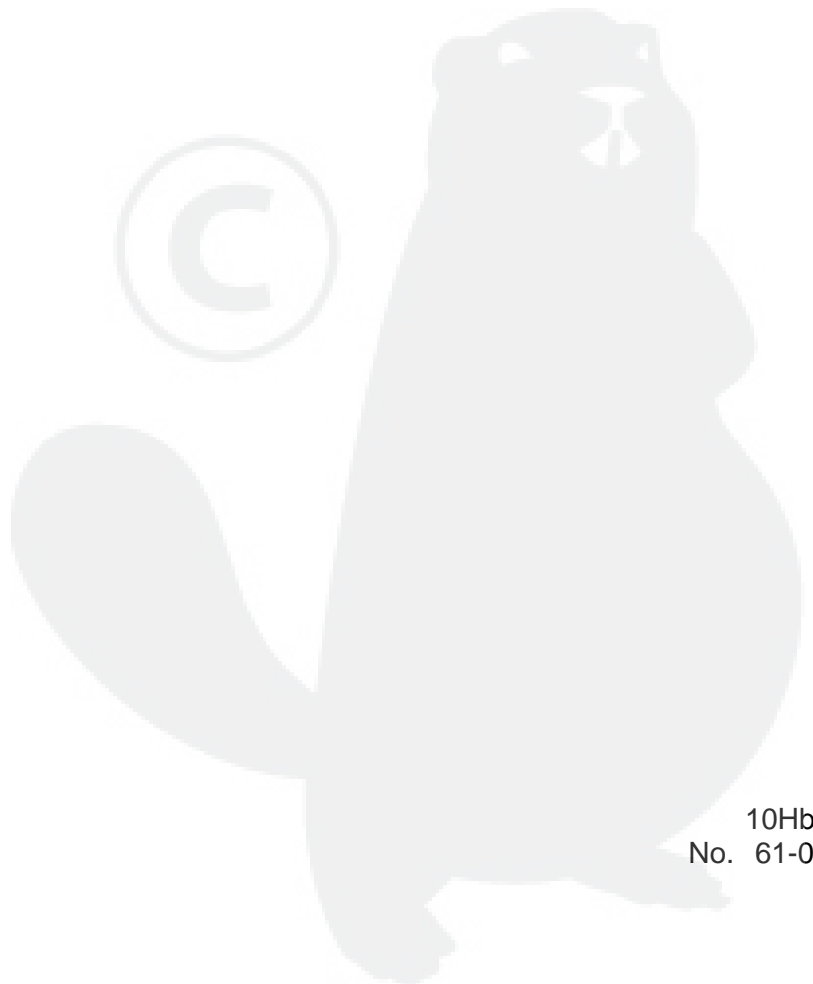
Index

Patrs Number	Key No.	Patrs Number	Key No.	Patrs Number	Key No.
A553-000000	2 - 9	V471-000640	4 - 9		
C050-000410	5 - 27	V471-001180	4 - 6		
C062-000192	5 - 29	V475-002210	3 - 8		
C400-000211	5 - 24	V475-002240	4 - 3		
C403-000031	5 - 25	V485-000230	2 - 17		
C423-000041	5 - 21	V485-000240	2 - 18		
C423-000042	5 - 21	V495-000760	1 - 34		
C450-000270	5 - 7	X495-000280	8 - 2		
C460-000111	5 - 5	X502-000520	2 - 34		
C463-000020	5 - 10	X547-000980	1 - 1		
C550-000080	7 - 7	X602-000020	7 - 2		
C550-000090	7 - 13	X606-000080	7 - 3		
C550-000100	7 - 10				
C554-000030	7 - 8				
J485-000030	3 - 27				
P003-000090	9 - 21				
P003-000100	9 - 11				
P003-000180	9 - 4				
P003-000720	9 - 13				
P003-000740	9 - 10				
P021-002761	5 - 18				
P021-002861	7 - 4				
P021-004280	3 - 10				
P021-004290	4 - 11				
P021-006802	1 - 7				
P021-008870	3 - 18				
P021-012591	6 - 1				
P021-012741	5 - 18				
P021-013770	7 - 6				
P021-014090	5 - 1				
P021-014320	8 - 1				
P022-002100	2 - 20				
P022-006850	2 - 22				
P022-008440	2 - 29				
P022-008450	2 - 26				
P022-008460	2 - 25				
P022-008470	2 - 30				
P022-008540	2 - 32				
V103-000150	3 - 1				
V103-000160	3 - 4				
V104-000330	3 - 17				
V299-000110	5 - 23				
V306-000121	1 - 37				
V420-000420	1 - 28				
V420-000640	3 - 14				
V430-000540	3 - 7				
V430-002020	5 - 11				
V452-000350	5 - 6				
V452-000360	5 - 8				

YAMABIKO CORPORATION

7-2 SUEHIROCHO 1-CHOME, OHME, TOKYO 198-8760, JAPAN
PHONE: 81-428-32-6118. FAX: 81-428-32-6145.

ECHO®



10Hb
No. 61-021