



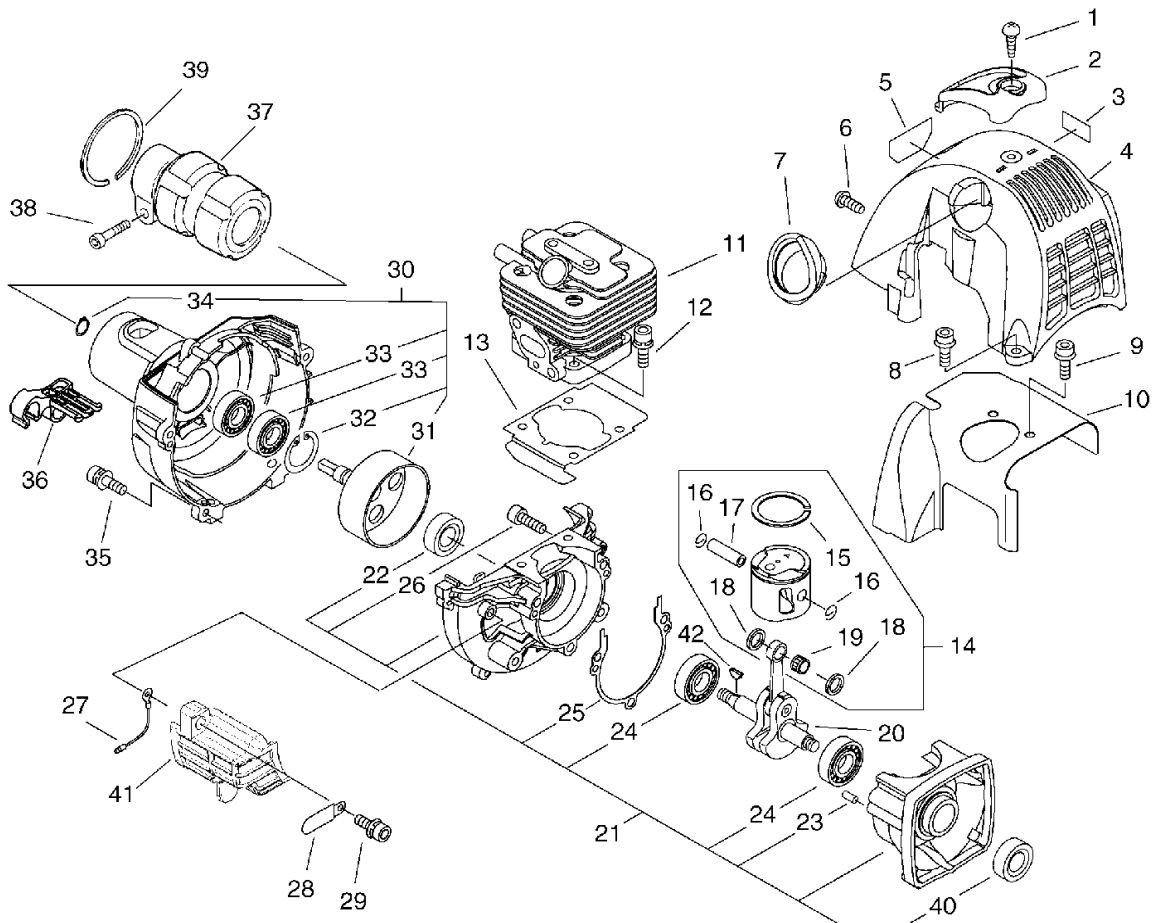
PARTS CATALOG

GRASS-TRIMMER / BRUSHCUTTER

SRM-265ES/U(37)

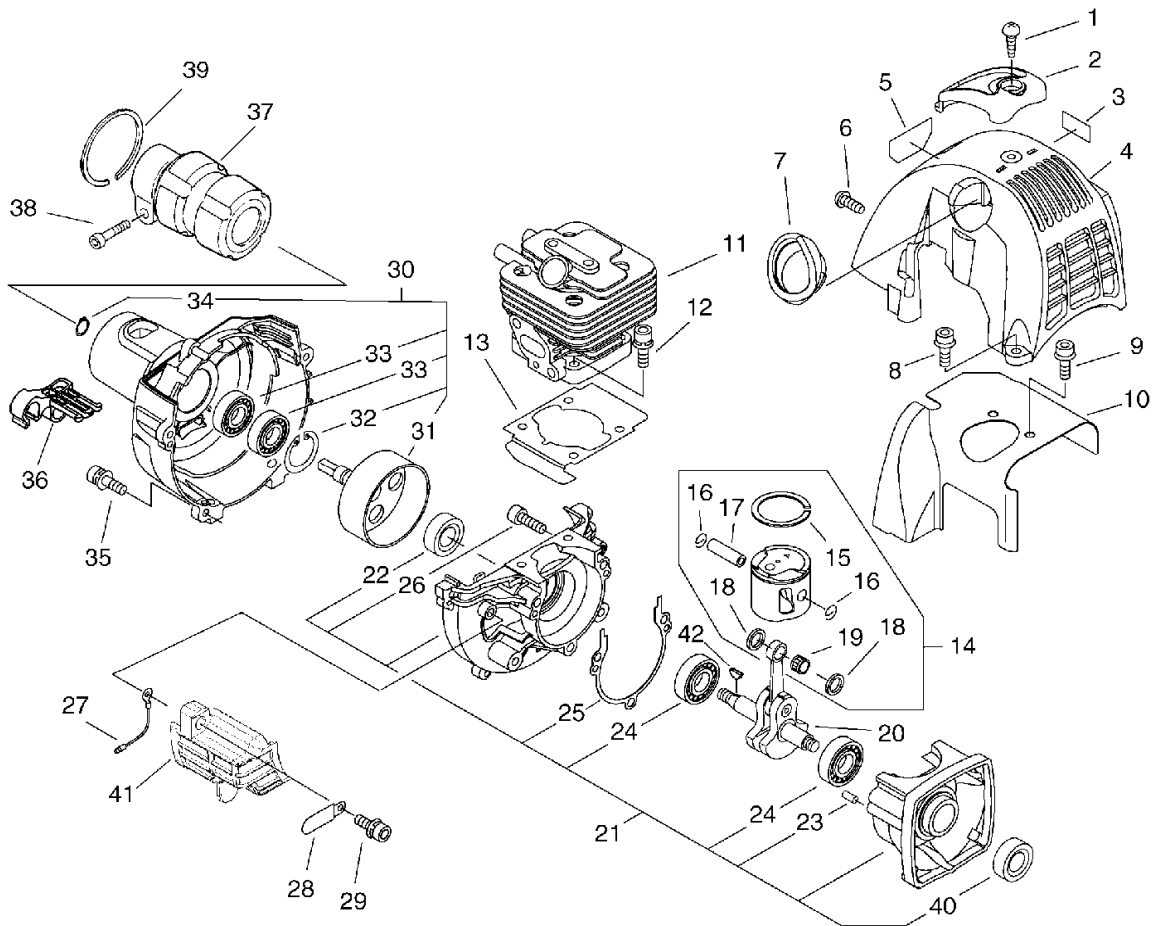
37013741 -

1. CYLINDER, CRANKCASE, PISTON



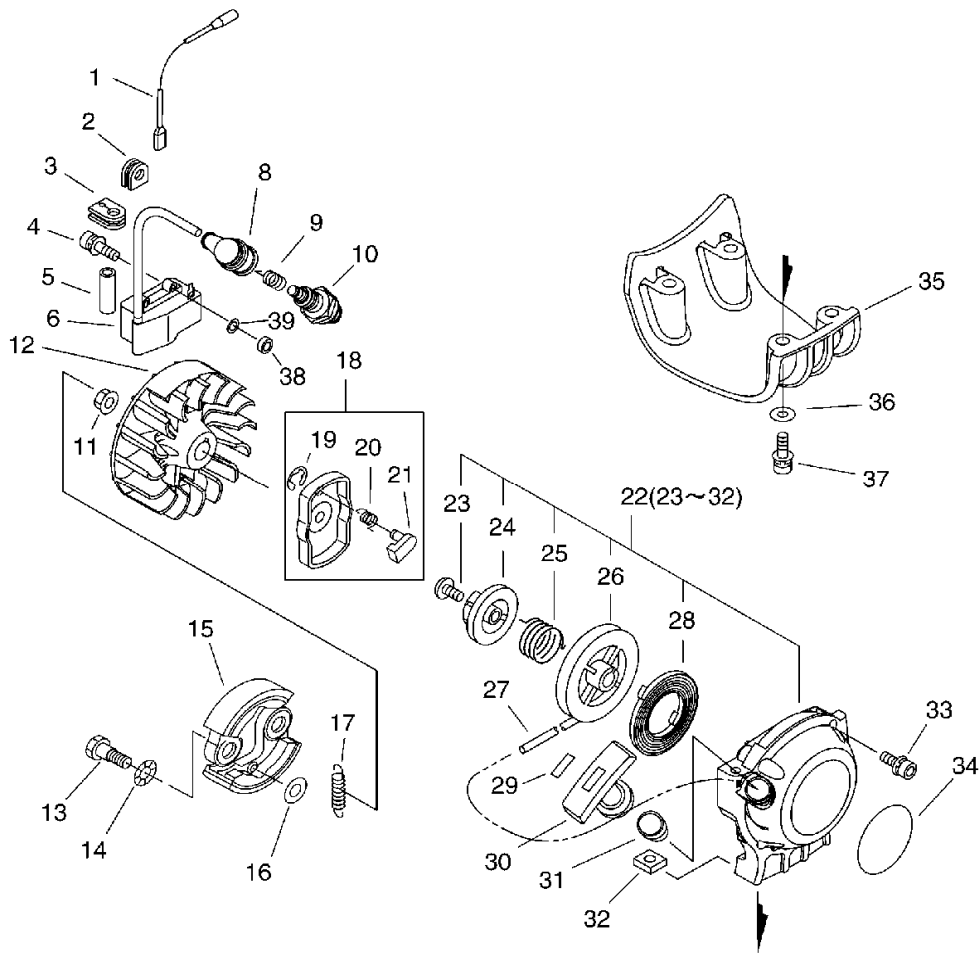
KEY	LV	PART NUMBER	Q'TY	DESCRIPTION	REMARKS	NOTE1	NOTE2
1		900256-05016	1	SCREW, TAPPING	5*16		
2		A162-000100	1	GUARD, TOP			
3		X505-002310	1	LABEL, CAUTION	HOT CAUTION		
4		A160-000780	1	COVER, CYLINDER			
5		X547-000700	1	LABEL, ECHO	ECHO+SRM- 265ES		
6		91141-05012	1	BOLT	M5*12		
7		A162-000080	1	GUARD, TOP			
8		91121-05016	1	BOLT, FLANGE	10.9 SILVER		
9		900106-05008	2	BOLT, H.S. 5*8	5*8		
10		A160-000691	1	COVER, CYLINDER			
11		A130-000761	1	CYLINDER			
12		900162-05025	4	BOLT, H.S. 5*25	5*25 W, SW		
13		V100-000210	1	GASKET, CYL	T0.5 38.1		
14		P021-009771	1	PISTON KIT			
15	+	A101-000170	1	RING, PISTON	34*1.5*1.5		
16	+	100015-03931	2	CIRCLIP, PISTON PIN			
17	+	100013-35430	1	PIN, PISTON	6*9*27.8		
18	+	100014-53630	2	SPACER, PISTON PIN			
19	+	100012-16131	1	BEARING, NEEDLE			
20		A011-000434	1	CRANKSHAFT, ASY			
21		P021-010801	1	CRANKCASE KIT			
22	+	100212-42031	1	OILSEAL	ISCD 12*22*4.5		
23	+	100215-03930	2	PIN, DOWEL			
24	+	94035-36201	1	BEARING BALL	6201X3JR2C3		

1. CYLINDER, CRANKCASE, PISTON



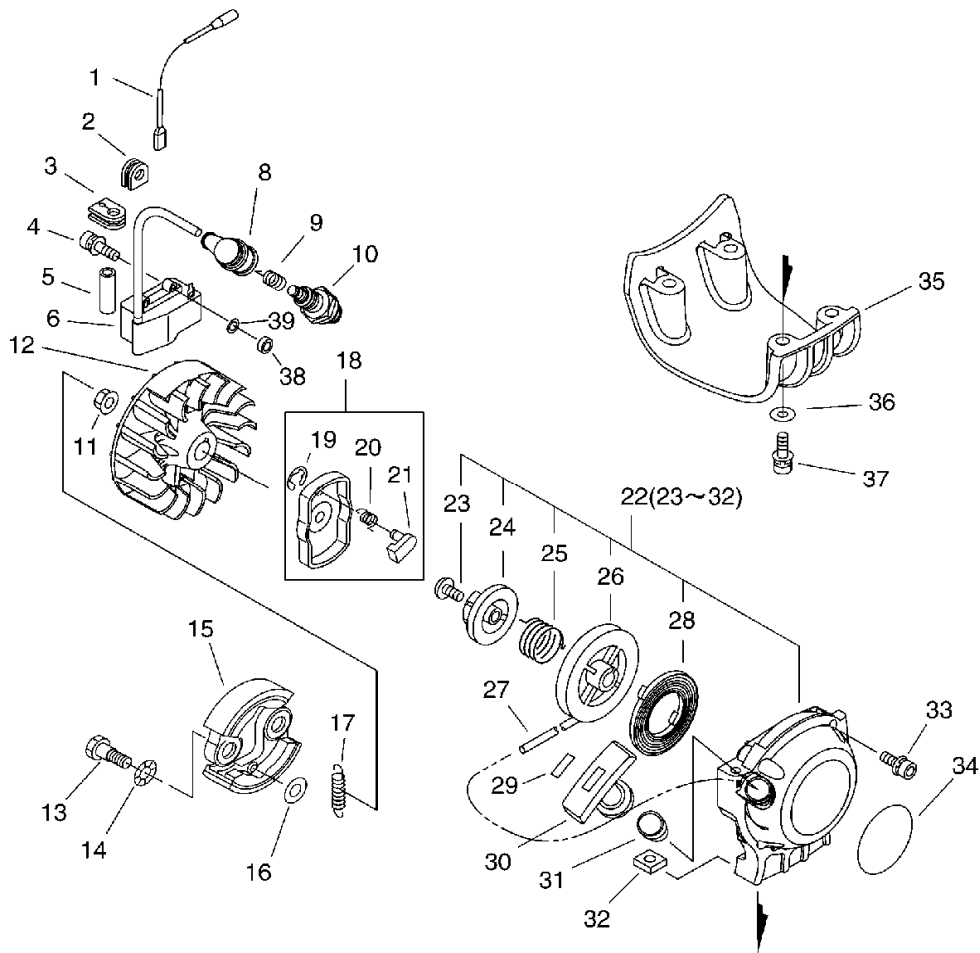
KEY	LV	PART NUMBER	Q'TY	DESCRIPTION	REMARKS	NOTE1	NOTE2
25	+	100242-42030	1	GASKET, CRANKCASE			
26	+	900162-05028	3	BOLT, H.S. 5*28	5*28 W,SW		
40	+	V505-000050	1	SEAL,OIL 12			
27		156635-43130	1	LEAD, GROUND			
28		159116-21231	1	CLAMP			
29		91118-05016	1	BOLT	CM-5*16		
30		P021-013530	1	COVER,FAN ASSY			
31	+	A556-000040	1	DRUM,CLUTCH			
32	+	900702-00028	1	CIRCLIP 28	CR-28		
33	+	900807-06001	2	BEARING, BALL 6001	6001V(LB)		
34	+	900701-00012	1	CIRCLIP 12	CS-12		
35		V202-000090	4	BOLT,4	4*16		
36		V491-000180	1	CLIP			
37		A575-000110	1	FIXTURE,MAIN PIPE			
38		91118-05028	1	BOLT	CM-5*28		
39		900702-00042	1	CIRCLIP 42	CR-42		
41		A127-000160	1	COVER,DUST			
42		100142-12330	1	KEY, WOODRUFF			

2. STARTER, MAGNETO, CLUTCH



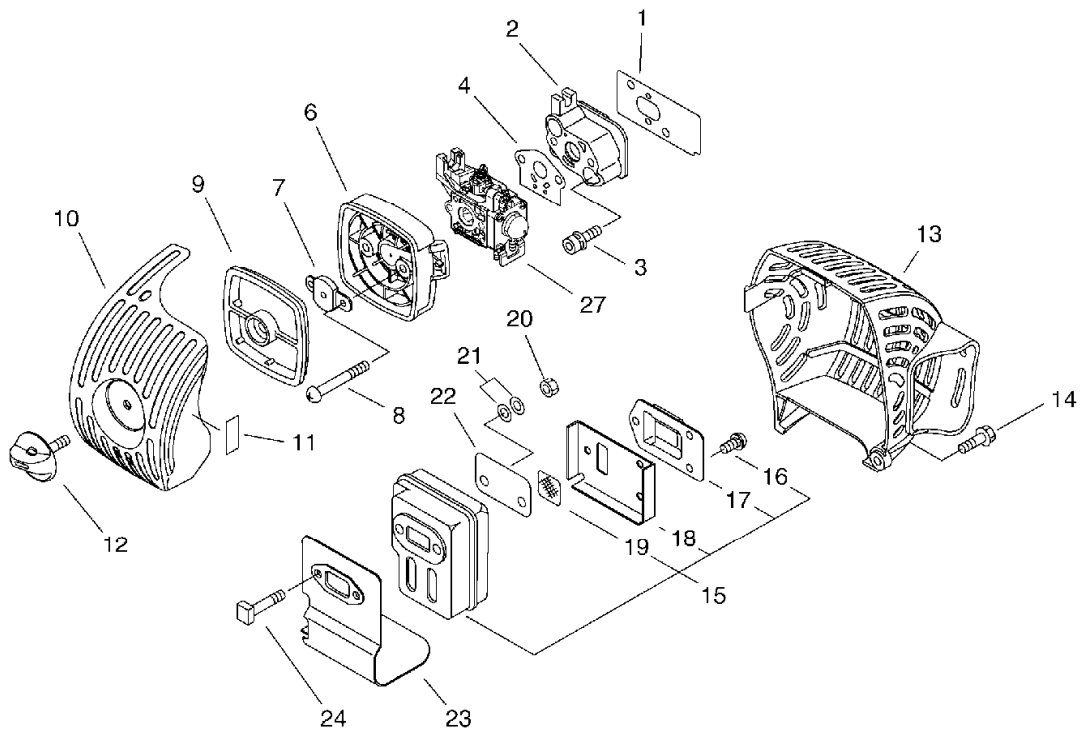
KEY	LV	PART NUMBER	Q'TY	DESCRIPTION	REMARKS	NOTE1	NOTE2
1		162010-04561	1	LEAD, GROUND	210L		
2		156110-04920	1	BUSHING			
3		V135-000030	1	GROMMET, HT CORD			
4		V202-000130	2	BOLT, 4	CBF-4*20		
5		V475-003380	1	TUBE			
6		A411-000251	1	COIL, IGNITION	ID#C10048		
8		A427-000013	1	CAP, SPARK PLUG			
9		A426-000010	1	TERMINAL, SPARK PLUG			
10		A425-000000	1	SPARK PLUG	BPMR8Y		
11		900515-00008	1	NUT, FLANGE 8	8		
12		A409-000310	1	ROTOR, MAGNETO	ID:C10744G		
13		175046-56030	2	SHAFT, CLUTCH			
14		175049-56030	2	WASHER	8.5*16*0.5		
15		A553-000010	2	ARM, CLUTCH			
16		175048-05530	2	WASHER (I)	6.2*19*1.0		
17		V451-000400	1	SPRING, TENSION			
18		A052-000180	1	PULLEY, ASM STARTER			
19	+	P022-002100	1	E-RING	4		
20	+	P022-006510	1	SPRING, RETURN			
21	+	P022-006850	1	PAWL, STARTER			
22		A051-000940	1	STARTER, RECOIL ASY			
23	+	177236-61830	1	SCREW			
24	+	P022-008280	1	PLATE, CAM			
25	+	P022-008270	1	SPRING, DAMPER			
26	+	P022-006830	1	DRUM			
27	+	P022-008260	1	ROPE	3M/M		

2. STARTER, MAGNETO, CLUTCH



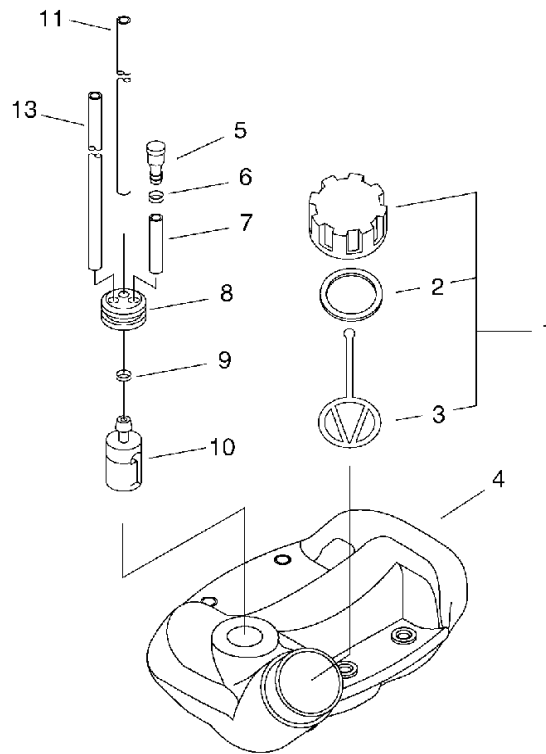
KEY	LV	PART NUMBER	Q'TY	DESCRIPTION	REMARKS	NOTE1	NOTE2
28	+	177220-42030	1	SPRING, REWIND			
29	+	177246-11120	1	CLIP, STARTER ROPE			
30	+	177228-27030	1	GRIP, STARTER			
31	+	177227-42030	1	GUIDE, ROPE			
32	+	900565-00005	4	NUT	5		
33		V202-000090	4	BOLT, 4	4*16		
34		X502-000330	1	LABEL, ECHO	ECHO		
35		A175-000030	1	STAND			
36		900603-00005	4	WASHER 5	5.5*12*0.8		
37		91118-05025	4	BOLT			
38		V322-000031	2	WASHER, CIRCULAR 4			
39		900603-00004	2	WASHER 4	4.5*10*0.8		

3. AIR CLEANER, CARBURETOR



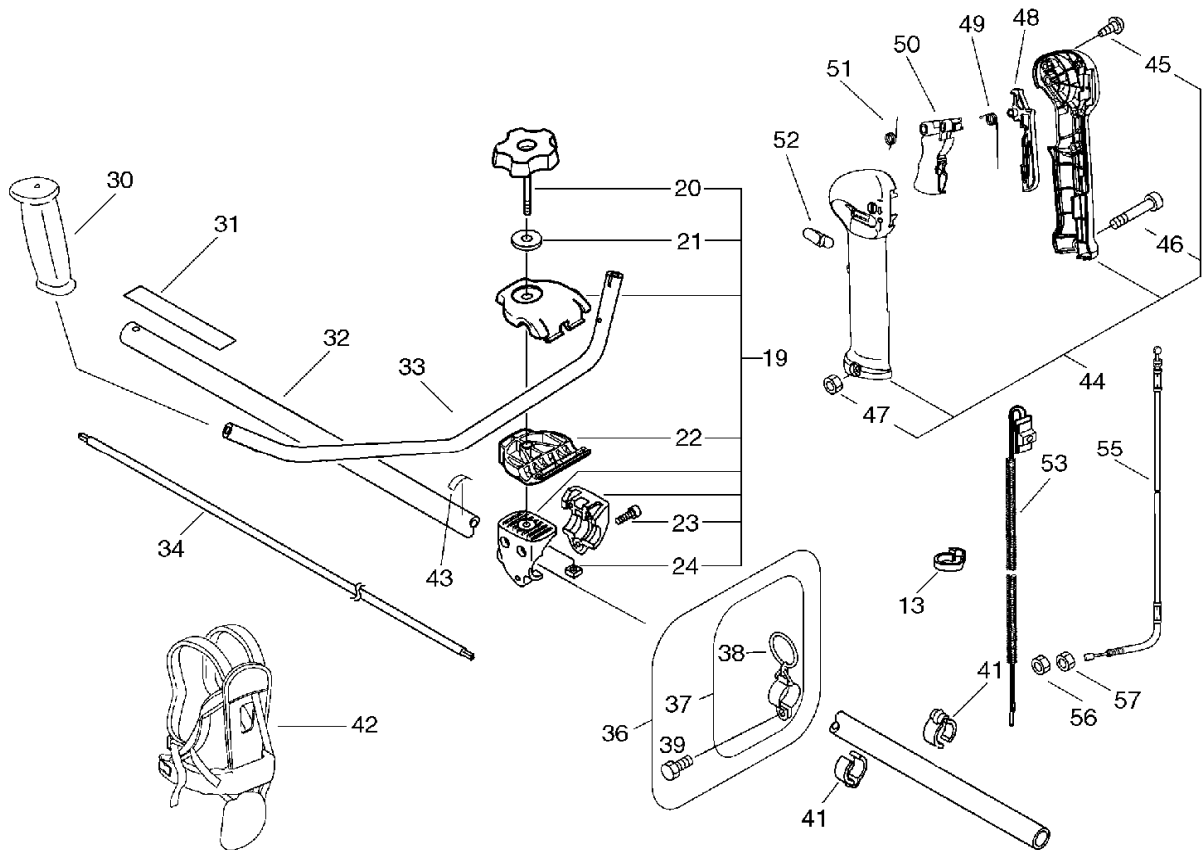
KEY	LV	PART NUMBER	Q'TY	DESCRIPTION	REMARKS	NOTE1	NOTE2
1		V103-000210	1	GASKET,INTAKE			
2		A200-000200	1	INSULATOR,INTAKE			
3		900162-05025	2	BOLT, H.S. 5*25	5*25 W,SW		
4		V103-000270	1	GASKET,INTAKE	T1.5-11		
27		A021-001741	1	CARBURETOR,DIAPHRAGM	ZAMA RB-K94		
6		P021-004480	1	CASE, AIR CLEANER			
7		129011-52730	1	PLATE, PREVENT			
8		900242-05065	2	SCREW 5*65	5*65		
9		A226-001410	1	ELEMENT,AIR FILTER			
10		A232-000330	1	LID,CLEANER			
11		890332-52730	1	LABEL, CHOKE			
12		V299-000250	1	KNOB,FASTENER			
13		A320-000341	1	COVER,MUFFLER			
14		91121-05016	1	BOLT, FLANGE	10.9 SILVER		
15		P021-011580	1	MUFFLER ASY			
16	+	91367-04010	3	SCREW	4*10/SW(SUS)		
17	+	A313-000830	1	GUIDE, EXHAUST	ID#1330		
18	+	V104-000790	1	GASKET,EXHAUST			
19	+	145862-40630	1	SCREEN, MUFFLER			
20		900500-00005	2	NUT 5	5		
21		92280-05000	2	WASHER, NORD-LOCK	NL5 5.4*9*1.8		
22		V150-001760	1	PLATE,EYE			
23		V104-000780	1	GASKET,EXHAUST			
24		V203-000120	2	BOLT,5	L=60		
36		P021-013580	1	RING, HARNESS KIT			

4. FUEL TANK



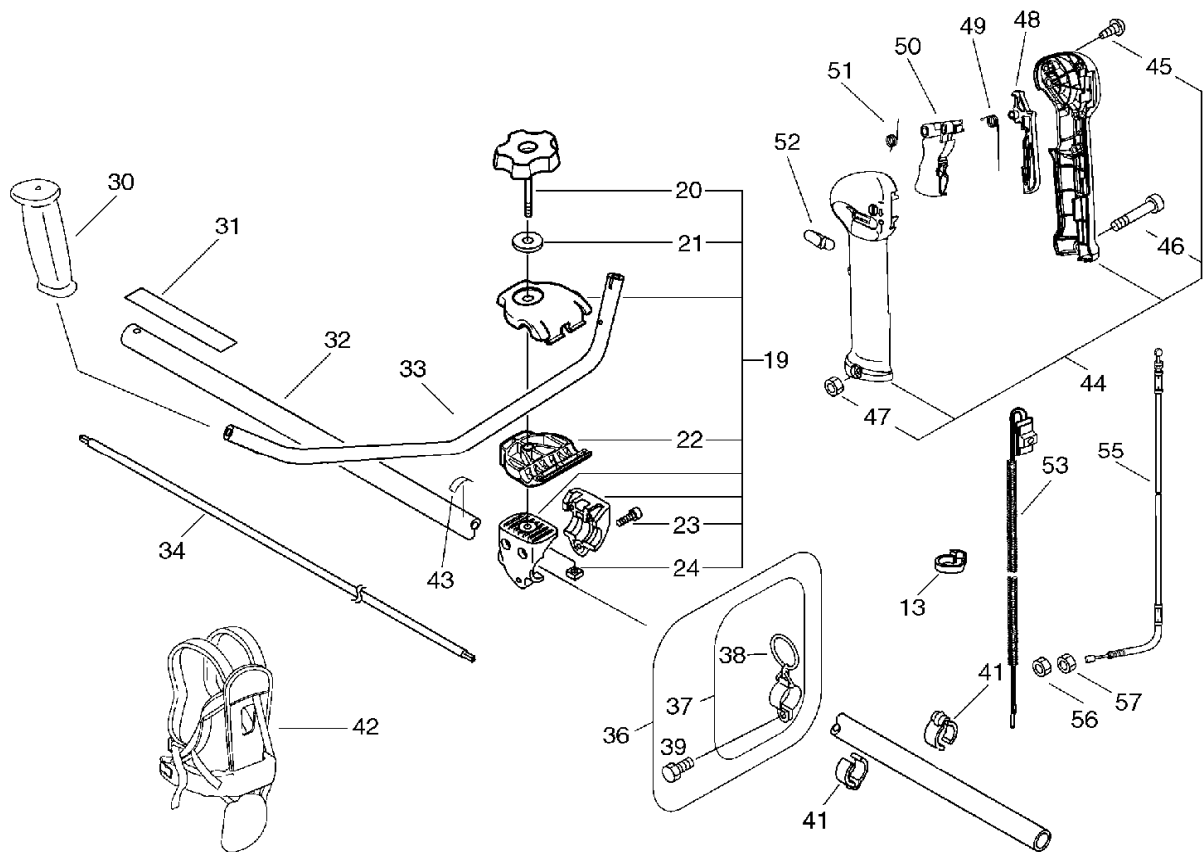
KEY	LV	PART NUMBER	Q'TY	DESCRIPTION	REMARKS	NOTE1	NOTE2
1		P021-012210	1	CAP,FUEL ASY			
2	+	131016-55830	1	GASKET, FUEL CAP			
3	+	A365-000060	1	CONNECTOR,CAP	L=123		
4		A350-000440	1	TANK, FUEL			
5		A356-000031	1	VALVE,CHECK			
6		132013-26630	1	CLIP	6.5MM		
7		V471-001180	1	PIPE	3*6*35 NBR		
8		132115-55930	1	GROMMET, FUEL			
9		132013-09820	1	CLIP	6MM		
10		131205-19831	1	STRAINER, FUEL			
11		V470-000580	1	PIPE	3*5*195		
13		132010-40830	1	PIPE 3*6*75	3*6*75 YL		

5. U-HANDLE



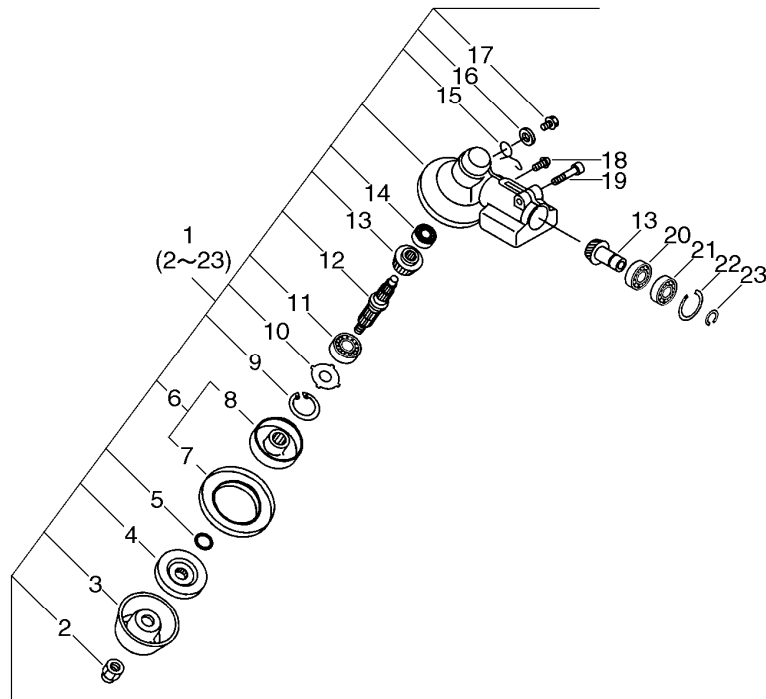
KEY	LV	PART NUMBER	Q'TY	DESCRIPTION	REMARKS	NOTE1	NOTE2
13		159112-09961	1	CLIP			
19		P021-012821	1	FIXTURE,ASY HANDLE	SRM-2655SI		
20	+	V299-000110	1	KNOB,FASTENER			
21	+	605014-54230	1	WASHER			
22	+	C423-000030	1	FIXTURE,HANDLE			
23	+	91118-05030	3	BOLT			
24	+	900565-50008	1	NUT			
30		C403-000031	1	GRIP,HANDLE			
31		890617-43130	1	LABEL,CAUTION			
32		C050-000320	1	PIPE,MAIN			
33		C400-000211	1	HANDLE,FRONT			
34		C504-000050	1	SHAFT,DRIVE	7*1540		
36		P021-013580	1	RING, HARNESS KIT			
37	+	301205-21330	1	HOOK			
38	++	301015-05330	1	HOOK, BAND			
39	+	91121-05012	1	BOLT, FLANGE	10.9 SILVER		
41		224924-52130	2	CLIP	25MM		
42		C062-000193	1	HARNESS,SHOULDER			
43		890152-04930	1	LABEL, CAUTION			
44		P021-014090	1	GRIP ASY,F-HANDLE			
45	+	900256-04016	3	SCREW 4*16			
46	+	91119-05030	1	BOLT			
47	+	900500-00005	1	NUT 5	5		
48		C460-000111	1	LOCKOUT, THROTTLE	70MM		
49		V452-000350	1	SPRING,TORSION			
50		C450-000270	1	CONTROL, THROTTLE			

5. U-HANDLE



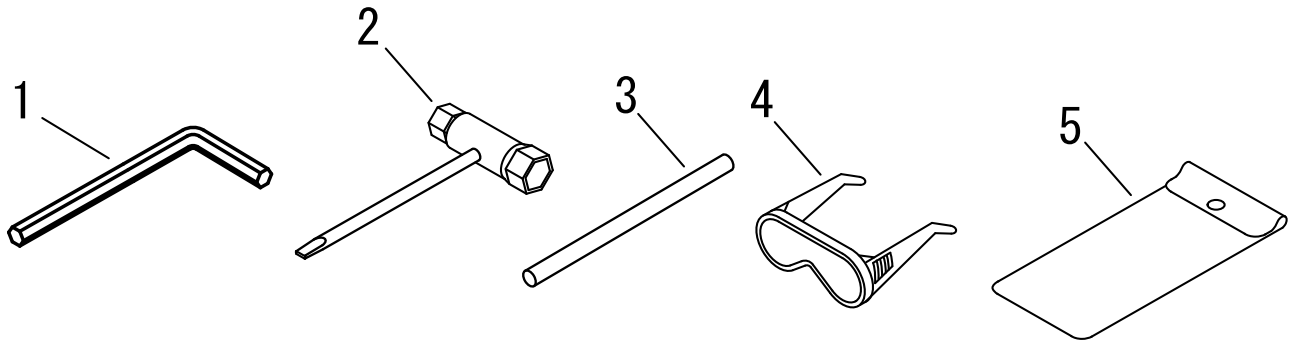
KEY	LV	PART NUMBER	Q'TY	DESCRIPTION	REMARKS	NOTE1	NOTE2
51		V452-000360	1	SPRING,TORSION			
52		C463-000020	1	KNOB, LATCH			
53		P021-014361	1	SWITCH, ON OFF			
55		V430-002310	1	CABLE,BOWDEN	870+86		
56		900502-00006	1	NUT 6 (3N)	3N6		
57		900518-00006	1	NUT, FLANGE	6		

6. GEAR CASE



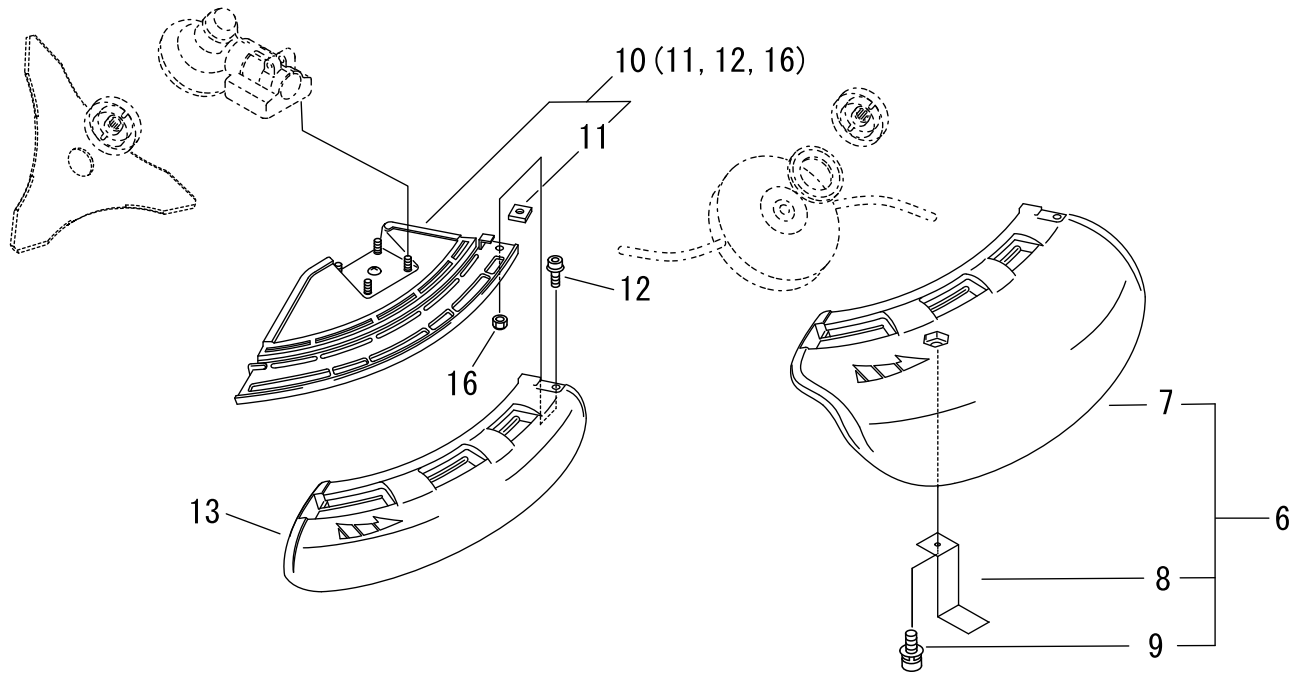
KEY	LV	PART NUMBER	Q'TY	DESCRIPTION	REMARKS	NOTE1	NOTE2
1		P021-012604	1	CASE,GEAR			
2	+	610320-52130	1	NUT 10			
3	+	699229-56830	1	PLATE, COVER			
4	+	610314-52130	1	PLATE, ADAPTER (L)			
5	+	900720-00012	1	O-RING 12	P-12		
6	+	610313-52932	1	FIXTURE, BLADE			
7	++	610352-56830	1	PLATE, CUP			
8	++	610313-52132	1	FIXTURE, BLADE			
9	+	900702-00032	1	CIRCLIP 32	CR-32		
10	+	610444-56830	1	WASHER			
11	+	900812-06201	1	BEARING, BALL 6201	6201DDU(LLU)		
12	+	610310-56831	1	SHAFT, P.T.O.			
13	+	610300-25531	1	GEAR SET	7S		
14	+	94060-00626	1	BEARING, BALL			
15	+	V452-001310	1	SPRING, TORSION			
16	+	900603-50008	1	WASHER	8.5*18*0.8T		
17	+	610434-50031	1	BOLT 8*8	M8*8		
18	+	900242-05010	1	SCREW 5*10			
19	+	91118-06025	1	BOLT			
20	+	94060-06900	1	BEARING BALL	WEAPON BB6900		
21	+	94063-06900	1	BEARING BALL	WEAPON BB6900Z		
22	+	900702-00022	1	CIRCLIP 22	CR-22		
23	+	900706-00010	1	CIRCLIP 10	WR-10		

7. TOOLS



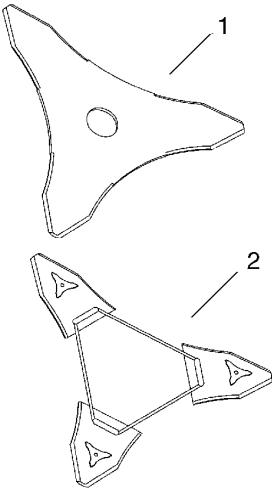
KEY	LV	PART NUMBER	Q'TY	DESCRIPTION	REMARKS	NOTE1	NOTE2
1		X605-000100	1	TOOL,L WRENCH	4MM M5		
2		X602-000020	1	TOOL,WRENCH	17*19 L200		
3		X606-000080	1	TOOL,BAR	5*120		
4		X690-000050	1	GOGGLE	GOGGLE + NOTE		
5		898510-07130	1	BAG, TOOL			

8. SHIELD

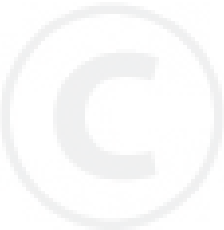


KEY	LV	PART NUMBER	Q'TY	DESCRIPTION	REMARKS	NOTE1	NOTE2
6		P021-013775	1	SHIELD KIT			
7	+	C550-000570	1	SHIELD, BLADE			
8	+	C554-000030	1	KNIFE, CORD			
9	+	91118-05018	1	BOLT			
10		P021-038570	1	SHIELD ASY, BLADE			
11	+	900565-00005	1	NUT	5		
12	+	91121-05025	1	BOLT, FLANGE	10.9 SILVER		
16	+	900562-00005	1	NUT, LOCK	5		
13		C550-000551	1	SHIELD, BLADE			

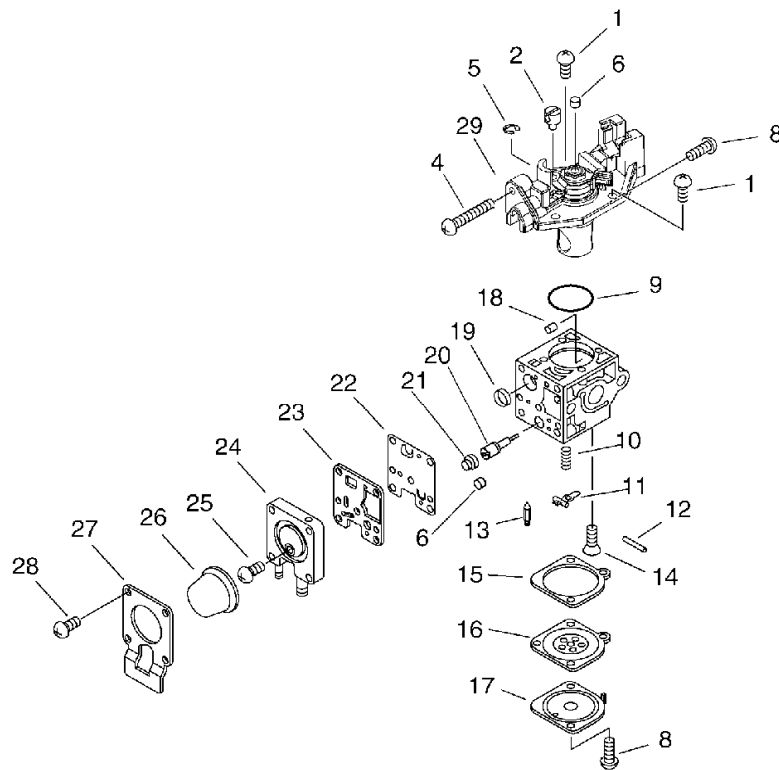
9. BLADE



KEY	LV	PART NUMBER	Q'TY	DESCRIPTION	REMARKS	NOTE1	NOTE2
1		P021-038650	1	SAW,BUSH CUTTER	230*T3.0		
2		X495-000270	1	SCABBARD,BLADE			

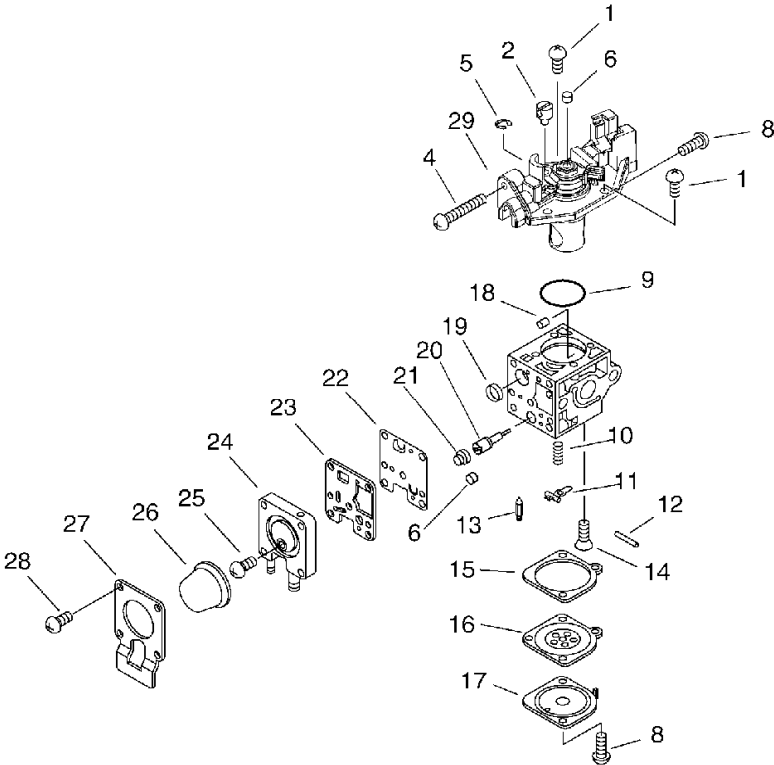


10. CARBURETOR



KEY	LV	PART NUMBER	Q'TY	DESCRIPTION	REMARKS	NOTE1	NOTE2
		A021-001740	1	CARBURETOR,DIAPHRAGM	RB-K94		
1	+	125344-13931	3	SCREW			
2	+	P005-001240	1	POST			
4	+	P005-000100	1	SCREW,THROTTLADJUST			
5	+	P005-000190	1	E-RING			
6	+	P005-001270	2	PLUG, H AJUST SCREW			
8	+	125344-52130	3	SCREW			
9	+	P005-000280	1	O-RING			
10	+	125322-07260	1	SPRING, COIL			
11	+	125323-08260	1	ARM, VALVE			
12	+	125338-13930	1	PIN, METERING ARM			
13	+	125337-08260	1	VALVE, INLET NEEDLE			
14	+	125339-42030	1	SCREW			
15	+	P005-000200	1	GASKET, METERING			
16	+	P005-002230	1	DIAPHRAGM ,METERING			
17	+	125342-52130	1	COVER, DIAPHRAGM			
18	+	P005-001000	1	ROLLER, GUIDE			
19	+	P005-000010	1	STRAINER			
20	+	P005-001290	1	SCREW,MAINN MIXTURE			
21	+	P005-001250	1	RETAINER,PLUG BALL			
22	+	P005-000510	1	DIAPHRAGM, PUMP			
23	+	P005-000520	1	GASKET, PUMP			
24	+	P005-001890	1	BASE, ASY PRIMER			
25	+	P005-000270	1	SCREW			
26	+	125381-08660	1	PUMP, PRIMING			
27	+	P005-000250	1	RETAINER			

10. CARBURETOR



KEY	LV	PART NUMBER	Q'TY	DESCRIPTION	REMARKS	NOTE1	NOTE2
28	+	P005-001900	4	SCREW			
29	+	P005-002070	1	COVER ASY, ROTOR			

11. DIAPHRAGM/GASKET KIT

KEY	LV	PART NUMBER	Q'TY	DESCRIPTION	REMARKS	NOTE1	NOTE2
		P005-002270	1	DIAPHRAGM/GASKET KIT			
1	+	P005-002230	1	DIAPHRAGM ,METERING			
2	+	P005-000200	1	GASKET, METERING			
3	+	P005-000510	1	DIAPHRAGM, PUMP			
4	+	P005-000520	1	GASKET, PUMP			

12. REBUILD KIT

KEY	LV	PART NUMBER	Q'TY	DESCRIPTION	REMARKS	NOTE1	NOTE2
		P005-002290	1	REBUILD KIT			
1	+	P005-000010	1	STRAINER			
2	+	125337-08260	1	VALVE, INLET NEEDLE			
3	+	125338-13930	1	PIN, METERING ARM			
4	+	125322-07260	1	SPRING, COIL			
5	+	125323-08260	1	ARM, VALVE			
6	+	P005-002230	1	DIAPHRAGM ,METERING			
7	+	P005-000200	1	GASKET, METERING			
8	+	P005-000510	1	DIAPHRAGM, PUMP			
9	+	P005-000520	1	GASKET, PUMP			
10	+	P005-001000	1	ROLLER, GUIDE			

Index

Patrs Number	Key No.	Patrs Number	Key No.	Patrs Number	Key No.
100012-16131	1 - 19	610313-52932	6 - 6	91121-05016	3 - 14
100013-35430	1 - 17	610314-52130	6 - 4	91121-05025	8 - 12
100014-53630	1 - 18	610320-52130	6 - 2	91141-05012	1 - 6
100015-03931	1 - 16	610352-56830	6 - 7	91367-04010	3 - 16
100142-12330	1 - 42	610434-50031	6 - 17	92280-05000	3 - 21
100212-42031	1 - 22	610444-56830	6 - 10	94035-36201	1 - 24
100215-03930	1 - 23	699229-56830	6 - 3	94060-00626	6 - 14
100242-42030	1 - 25	890152-04930	5 - 43	94060-06900	6 - 20
125322-07260	10 - 10	890332-52730	3 - 11	94063-06900	6 - 21
125322-07260	12 - 4	890617-43130	5 - 31	A011-000434	1 - 20
125323-08260	10 - 11	898510-07130	7 - 5	A021-001740	10 -
125323-08260	12 - 5	900106-05008	1 - 9	A021-001741	3 - 27
125337-08260	10 - 13	900162-05025	1 - 12	A051-000940	2 - 22
125337-08260	12 - 2	900162-05025	3 - 3	A052-000180	2 - 18
125338-13930	10 - 12	900162-05028	1 - 26	A101-000170	1 - 15
125338-13930	12 - 3	900242-05010	6 - 18	A127-000160	1 - 41
125339-42030	10 - 14	900242-05065	3 - 8	A130-000761	1 - 11
125342-52130	10 - 17	900256-04016	5 - 45	A160-000691	1 - 10
125344-13931	10 - 1	900256-05016	1 - 1	A160-000780	1 - 4
125344-52130	10 - 8	900500-00005	3 - 20	A162-000080	1 - 7
125381-08660	10 - 26	900500-00005	5 - 47	A162-000100	1 - 2
129011-52730	3 - 7	900502-00006	5 - 56	A175-000030	2 - 35
131016-55830	4 - 2	900515-00008	2 - 11	A200-000200	3 - 2
131205-19831	4 - 10	900518-00006	5 - 57	A226-001410	3 - 9
132010-40830	4 - 13	900562-00005	8 - 16	A232-000330	3 - 10
132013-09820	4 - 9	900565-00005	2 - 32	A313-000830	3 - 17
132013-26630	4 - 6	900565-00005	8 - 11	A320-000341	3 - 13
132115-55930	4 - 8	900565-50008	5 - 24	A350-000440	4 - 4
145862-40630	3 - 19	900603-00004	2 - 39	A356-000031	4 - 5
156110-04920	2 - 2	900603-00005	2 - 36	A365-000060	4 - 3
156635-43130	1 - 27	900603-50008	6 - 16	A409-000310	2 - 12
159112-09961	5 - 13	900701-00012	1 - 34	A411-000251	2 - 6
159116-21231	1 - 28	900702-00022	6 - 22	A425-000000	2 - 10
162010-04561	2 - 1	900702-00028	1 - 32	A426-000010	2 - 9
175046-56030	2 - 13	900702-00032	6 - 9	A427-000013	2 - 8
175048-05530	2 - 16	900702-00042	1 - 39	A553-000010	2 - 15
175049-56030	2 - 14	900706-00010	6 - 23	A556-000040	1 - 31
177220-42030	2 - 28	900720-00012	6 - 5	A575-000110	1 - 37
177227-42030	2 - 31	900807-06001	1 - 33	C050-000320	5 - 32
177228-27030	2 - 30	900812-06201	6 - 11	C062-000193	5 - 42
177236-61830	2 - 23	91118-05016	1 - 29	C400-000211	5 - 33
177246-11120	2 - 29	91118-05018	8 - 9	C403-000031	5 - 30
224924-52130	5 - 41	91118-05025	2 - 37	C423-000030	5 - 22
301015-05330	5 - 38	91118-05028	1 - 38	C450-000270	5 - 50
301205-21330	5 - 37	91118-05030	5 - 23	C460-000111	5 - 48
605014-54230	5 - 21	91118-06025	6 - 19	C463-000020	5 - 52
610300-25531	6 - 13	91119-05030	5 - 46	C504-000050	5 - 34
610310-56831	6 - 12	91121-05012	5 - 39	C550-000551	8 - 13
610313-52132	6 - 8	91121-05016	1 - 8	C550-000570	8 - 7

Index

Patrs Number	Key No.	Patrs Number	Key No.	Patrs Number	Key No.
C554-000030	8 - 8	P022-006850	2 - 21		
P005-000010	10 - 19	P022-008260	2 - 27		
P005-000010	12 - 1	P022-008270	2 - 25		
P005-000100	10 - 4	P022-008280	2 - 24		
P005-000190	10 - 5	V100-000210	1 - 13		
P005-000200	10 - 15	V103-000210	3 - 1		
P005-000200	11 - 2	V103-000270	3 - 4		
P005-000200	12 - 7	V104-000780	3 - 23		
P005-000250	10 - 27	V104-000790	3 - 18		
P005-000270	10 - 25	V135-000030	2 - 3		
P005-000280	10 - 9	V150-001760	3 - 22		
P005-000510	10 - 22	V202-000090	1 - 35		
P005-000510	11 - 3	V202-000090	2 - 33		
P005-000510	12 - 8	V202-000130	2 - 4		
P005-000520	10 - 23	V203-000120	3 - 24		
P005-000520	11 - 4	V299-000110	5 - 20		
P005-000520	12 - 9	V299-000250	3 - 12		
P005-001000	10 - 18	V322-000031	2 - 38		
P005-001000	12 - 10	V430-002310	5 - 55		
P005-001240	10 - 2	V451-000400	2 - 17		
P005-001250	10 - 21	V452-000350	5 - 49		
P005-001270	10 - 6	V452-000360	5 - 51		
P005-001290	10 - 20	V452-001310	6 - 15		
P005-001890	10 - 24	V470-000580	4 - 11		
P005-001900	10 - 28	V471-001180	4 - 7		
P005-002070	10 - 29	V475-003380	2 - 5		
P005-002230	10 - 16	V491-000180	1 - 36		
P005-002230	11 - 1	V505-000050	1 - 40		
P005-002230	12 - 6	X495-000270	9 - 2		
P005-002270	11 -	X502-000330	2 - 34		
P005-002290	12 -	X505-002310	1 - 3		
P021-004480	3 - 6	X547-000700	1 - 5		
P021-009771	1 - 14	X602-000020	7 - 2		
P021-010801	1 - 21	X605-000100	7 - 1		
P021-011580	3 - 15	X606-000080	7 - 3		
P021-012210	4 - 1	X690-000050	7 - 4		
P021-012604	6 - 1				
P021-012821	5 - 19				
P021-013530	1 - 30				
P021-013580	3 - 36				
P021-013580	5 - 36				
P021-013775	8 - 6				
P021-014090	5 - 44				
P021-014361	5 - 53				
P021-038570	8 - 10				
P021-038650	9 - 1				
P022-002100	2 - 19				
P022-006510	2 - 20				
P022-006830	2 - 26				

YAMABIKO CORPORATION

7-2 SUEHIROCHO 1-CHOME, OHME, TOKYO 198-8760, JAPAN
PHONE: 81-428-32-6118. FAX: 81-428-32-6145.

ECHO[®]



11Gb
No. 64-062