



PARTS CATALOG

GRASS-TRIMMER / BRUSHCUTTER

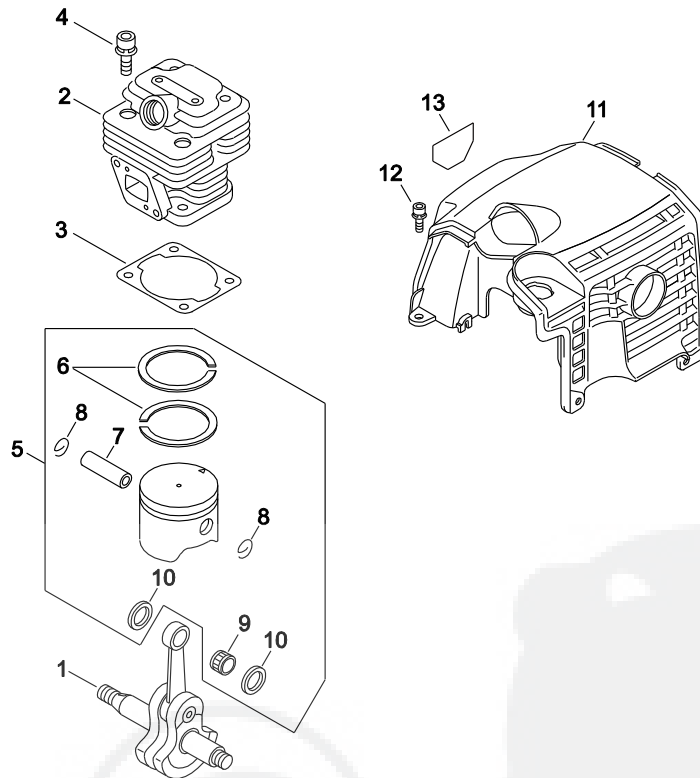
SRM-350ES/U(36)

36014621 -

CE

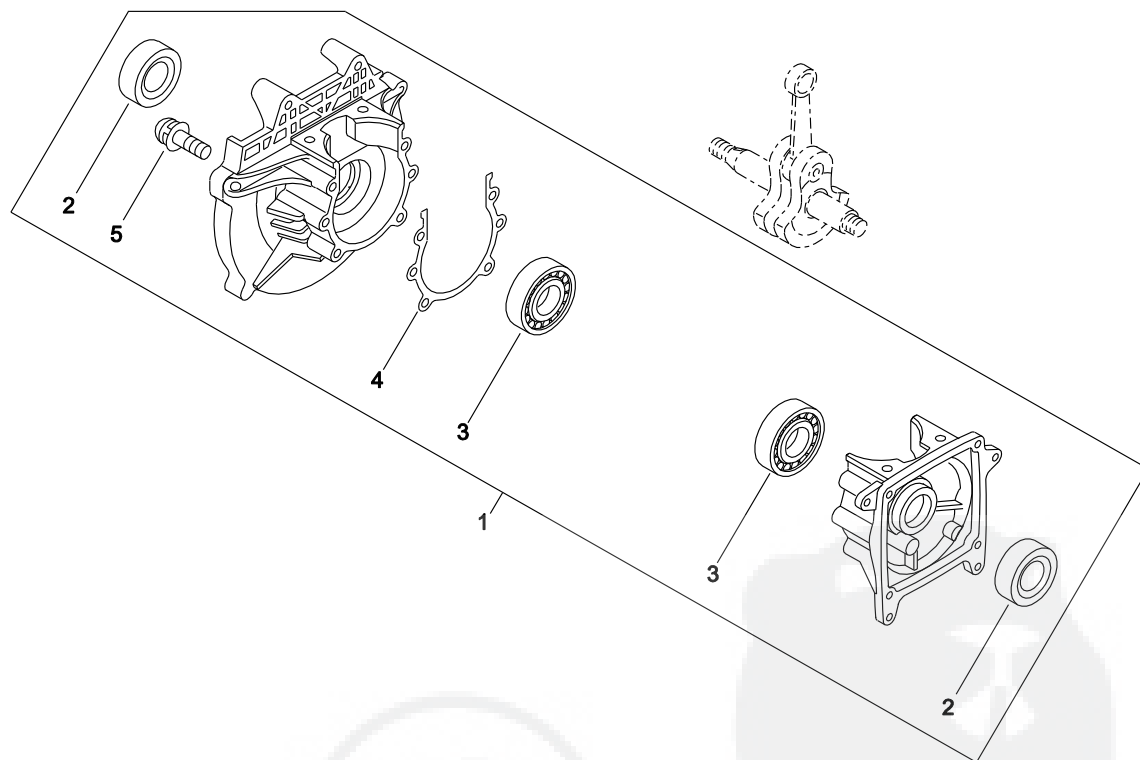
P014-000651-07L

1. CYLINDER, PISTON, CRANKSHAFT



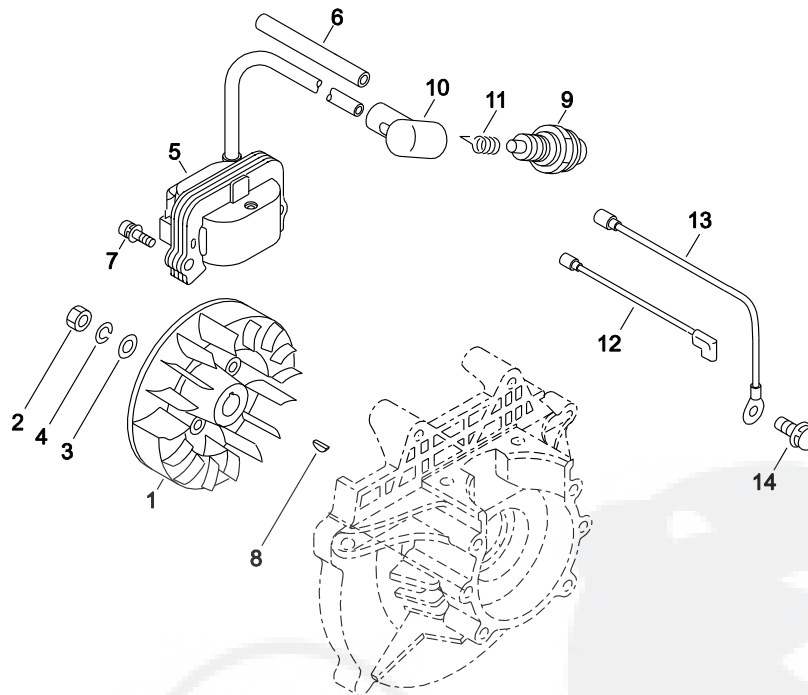
KEY	LV	PART NUMBER	Q'TY	DESCRIPTION	REMARKS	NOTE1	NOTE2
1		100100-55430	1	CRANKSHAFT ASSY		-36021050	
1		A011-000550	1	CRANKSHAFT,ASY		36021051-	
2		A130-000601	1	CYLINDER			
3		101010-55430	1	GASKET, CYL. BASE			
4		900162-05020	4	BOLT, H.S. 5*20	5*20 W,SW		
5		P021-007410	1	PISTON KIT			
6	+	100011-42230	2	RING, PISTON			
7	+	100013-27430	1	PIN, PISTON			
8	+	100015-03931	2	CIRCLIP, PISTON PIN			
9	+	100012-16131	1	BEARING, NEEDLE			
10	+	100014-53630	2	SPACER, PISTON PIN			
11		A160-000391	1	COVER,CYLINDER			
12		91121-05012	2	BOLT, FLANGE	10.9 SILVER ECHO+SRM- 350ES		
13		X547-000990	1	LABEL,ECHO			

2. CRANKCASE



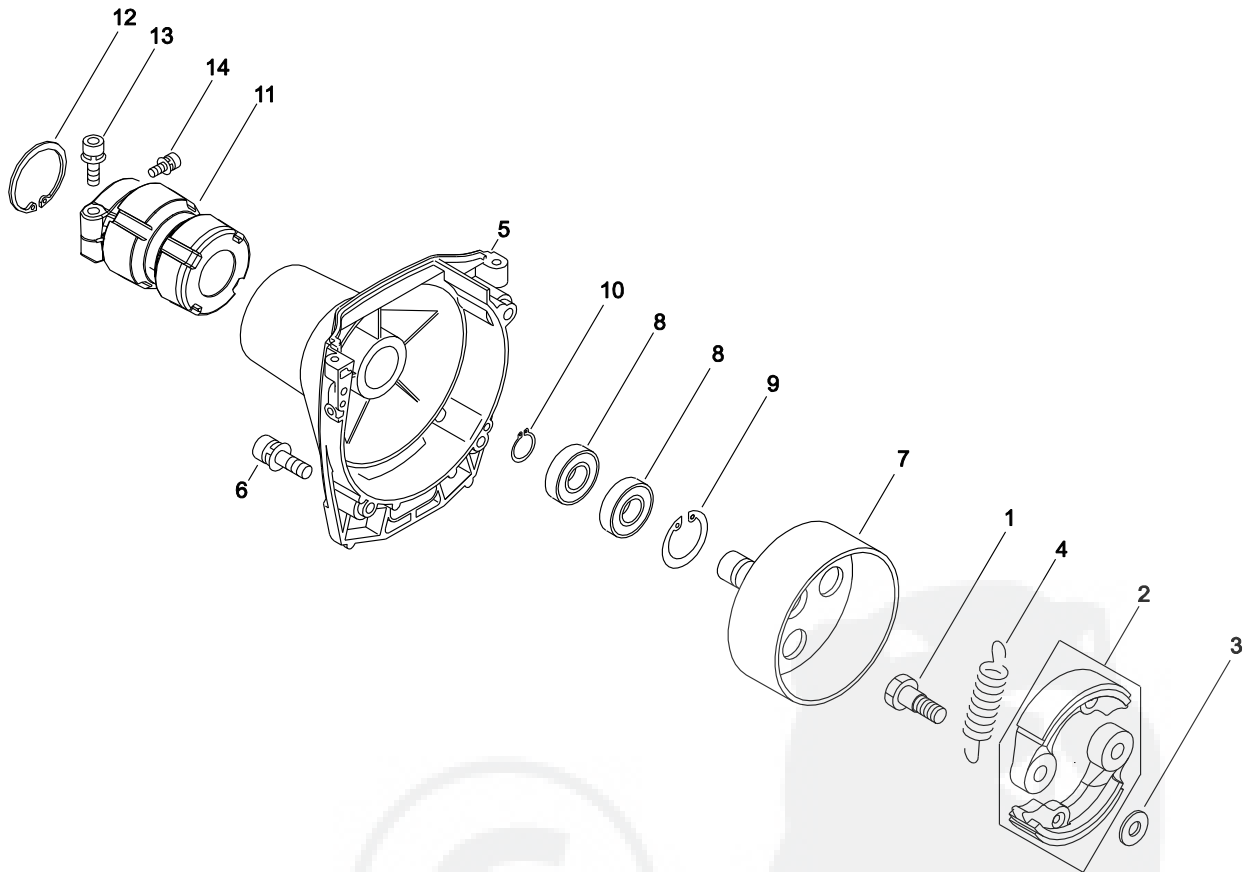
KEY	LV	PART NUMBER	Q'TY	DESCRIPTION	REMARKS	NOTE1	NOTE2
1		100204-55430	1	CRANKCASE KIT			
2	+	100213-05530	2	OILSEAL	ISCD 12 22 7		
3	+	94035-36201	2	BEARING BALL	6201X3JR2C3		
4	+	100242-55430	1	GASKET, CRANKCASE			
5	+	900162-05030	4	BOLT, H.S. 5*30	5*30 W,SW		

3. MAGNETO



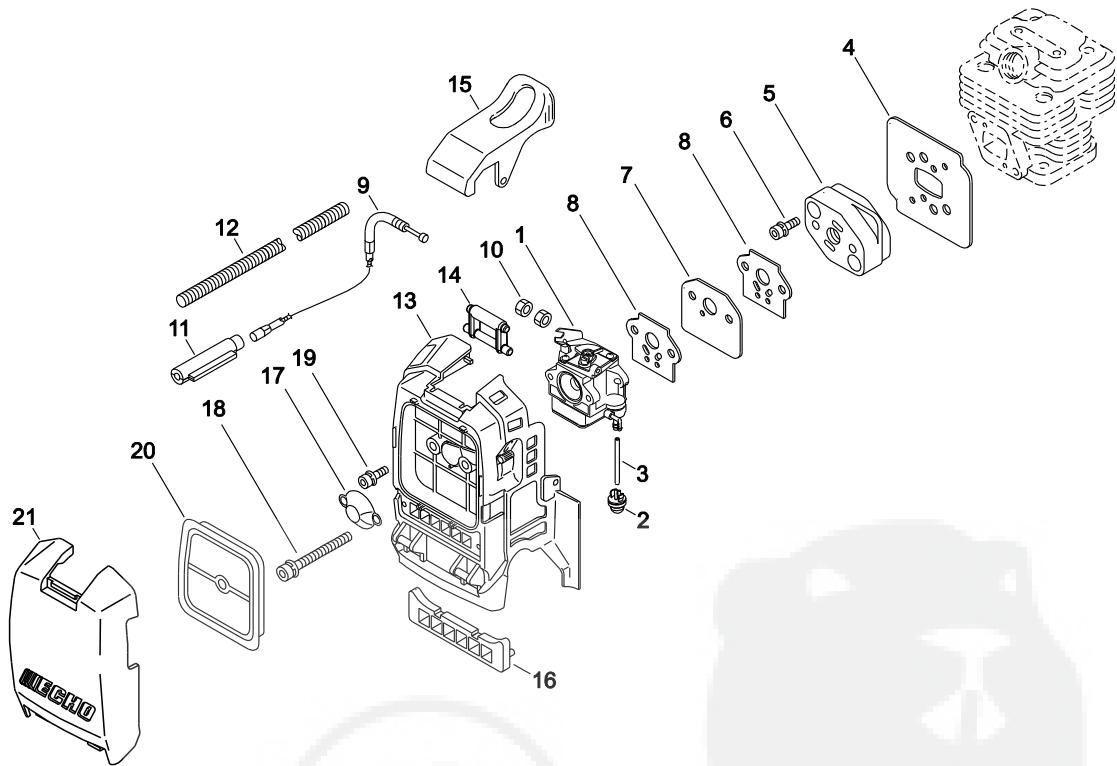
KEY	LV	PART NUMBER	Q'TY	DESCRIPTION	REMARKS	NOTE1	NOTE2
1		152801-55430	1	ROTOR, MAGNET			
2		900502-00008	1	NUT 8 (3N)	3N8		
3		900600-00008	1	WASHER 8	8		
4		900605-00008	1	WASHER, SPRING 8	8		
5		152626-55730	1	COIL, IGNITION			
6		437412-16430	1	TUBE, PROTECTOR			
7		900162-05020	2	BOLT, H.S. 5*20	5*20 W,SW		
8		100142-12330	1	KEY, WOODRUFF			
9		159010-10230	1	PLUG, SPARK (BPMR-7A)	BPMR-7A		
10		A427-000000	1	CAP, SPARK PLUG			
11		A426-000000	1	TERMINAL, SPARK PLUG			
12		V485-000230	1	LEAD			
13		V485-000240	1	LEAD			
14		900238-05010	1	SCREW 5*10	5*10		

4. CLUTCH



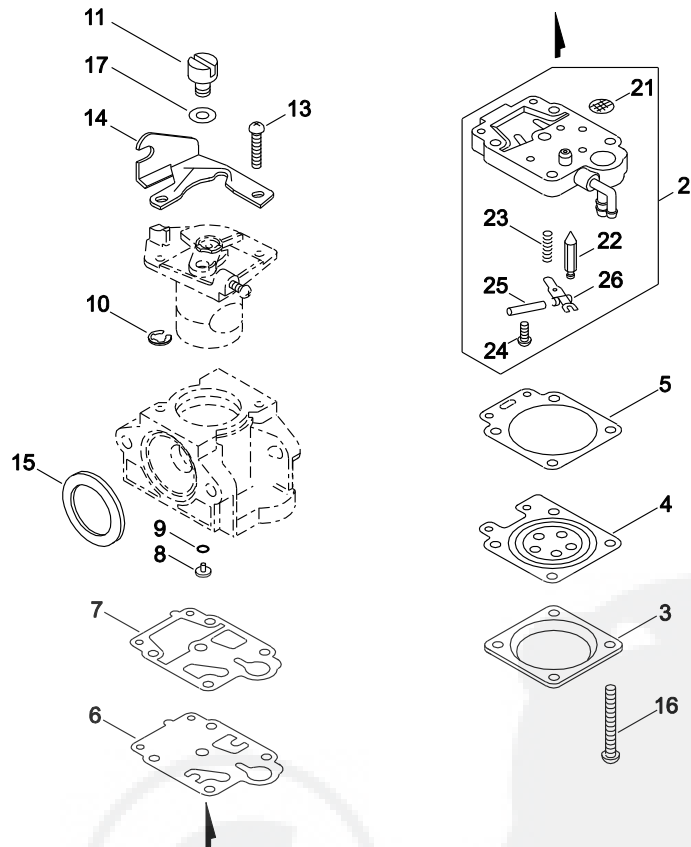
KEY	LV	PART NUMBER	Q'TY	DESCRIPTION	REMARKS	NOTE1	NOTE2
1		175046-46430	2	BOLT, CLUTCH			
2		P021-046970	1	CLUTCH SHOE SET			
3		175048-05530	2	WASHER (I)	6.2*19*1.0		
4		175018-49932	1	SPRING, CLUTCH			
5		P021-048760	1	COVER,FAN ASY			
6		91118-05020	4	BOLT	CM-5*20		
7		175005-49930	1	DRUM, CLUTCH			
8		900807-06001	2	BEARING, BALL 6001	6001V(LB)		
9		900702-00028	1	CIRCLIP 28	CR-28		
10		900701-00012	1	CIRCLIP 12	CS-12		
11		V420-000420	1	CUSHION			
12		900702-00045	1	RING, RETAINING(IN)	CR-45		
13		91118-05028	1	BOLT	CM-5*28		
14		91118-05012	1	BOLT	CM-5*12		

5. AIR CLEANER, CARBURETOR



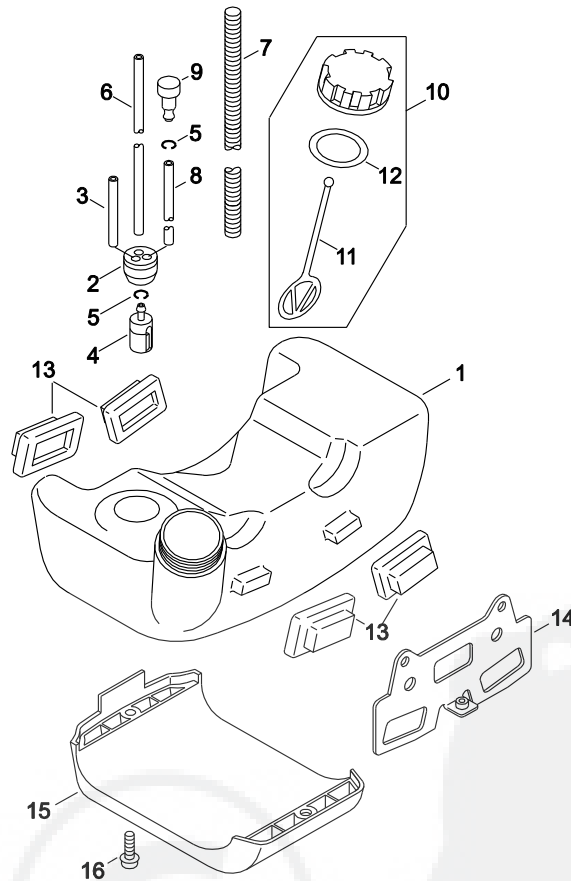
KEY	LV	PART NUMBER	Q'TY	DESCRIPTION	REMARKS	NOTE1	NOTE2
1		A021-000931	1	CARBURETOR,DIAPHRAGM	WYJ-373A		
2		123181-39130	1	PUMP, PRIMER			
3		V471-000640	1	PIPE	2.38*4.76*105		
4		V103-000150	1	GASKET,INTAKE			
5		A200-000090	1	INSULATOR,INTAKE			
6		900162-05025	2	BOLT, H.S. 5*25	5*25 W,SW		
7		A200-000100	1	INSULATOR,INTAKE			
8		V103-000160	2	GASKET,INTAKE			
9		V430-000540	1	CABLE,BOWDEN			
10		900502-00006	2	NUT 6 (3N)	3N6		
11		178081-55931	1	CONNECTOR,CABLE			
12		V475-002210	1	TUBE			
13		P021-004280	1	CASE,AIR CLEANER			
14		J485-000030	1	HINGE			
15		A235-000100	1	KNOB,CLEANER LID			
16		V420-000640	1	CUSHION			
17		A244-000010	1	PLATE,PREVENT			
18		900105-05060	2	BOLT, H.S. 5*60	5*60		
19		900106-05012	1	BOLT, H.S. 5*12	5*12		
20		A226-000140	1	ELEMENT,AIR FILTER			
21		A232-000151	1	LID,CLEANER			

6. CARBURETOR



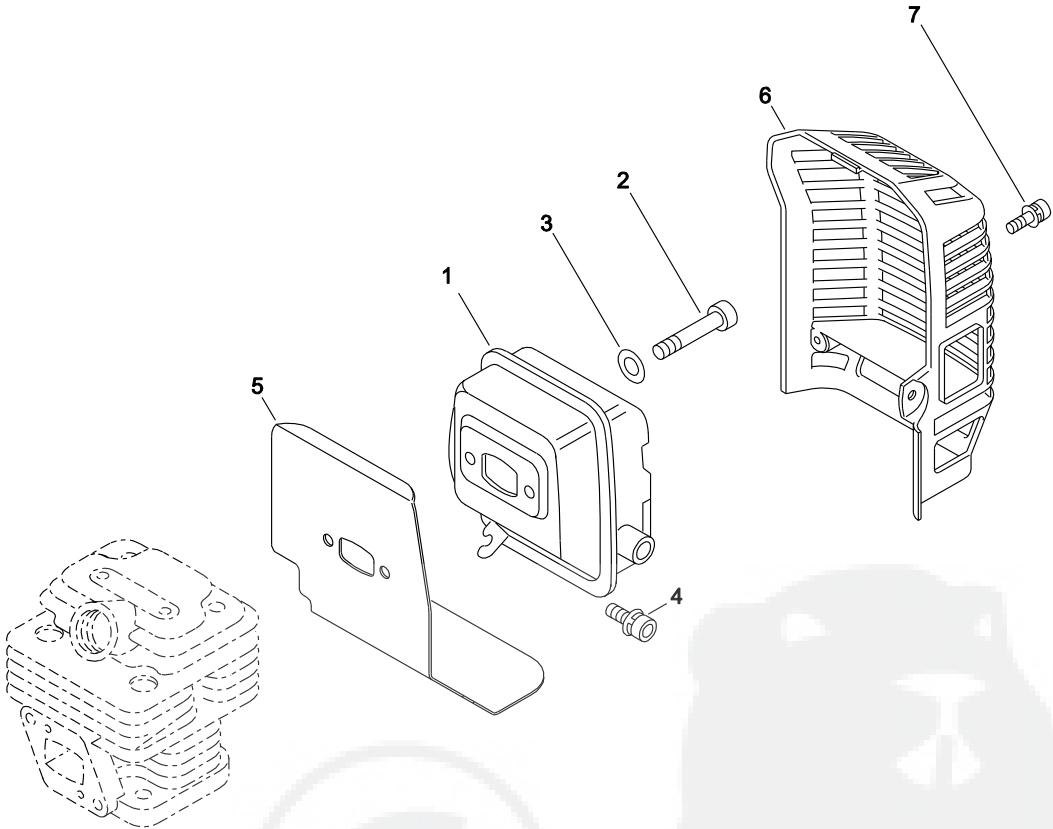
KEY	LV	PART NUMBER	Q'TY	DESCRIPTION	REMARKS	NOTE1	NOTE2
		A021-000931	1	CARBURETOR,DIAPHRAGM	WYJ-373A		
2	+	P003-000720	1	BODY ASSEMBLY, PUMP			
21	++	123126-10631	1	SCREEN, INLET			
22	++	123137-19830	1	VALVE, INLET NEEDLE			
23	++	123122-05560	1	SPRING, METER. LEVER			
24	++	123139-05560	1	SCREW, M. LEVER PIN			
25	++	123138-03930	1	PIN, METERING LEVER			
26	++	123123-03930	1	LEVER, METERING			
3	+	123142-03930	1	COVER, M. DIAPHRAGM			
4	+	P003-000090	1	METERING, DIAPHRAGM			
5	+	123140-27230	1	GASKET,M. DIAPHRAGM			
6	+	123112-40630	1	DIAPHRAGM, PUMP			
7	+	P003-000100	1	GASKET, PUMP			
8	+	P003-001050	1	JET			
9	+	123183-40630	1	O-RING			
10	+	123173-07930	1	CLIP			
11	+	123172-45130	1	SWIVEL			
13	+	123114-40630	2	SCREW			
14	+	P003-000180	1	BRACKET CABLE			
15	+	123143-12110	1	RING, PACKING			
16	+	123144-44330	4	SCREW			
17	+	123149-54230	1	WASHER			

7. FUEL TANK



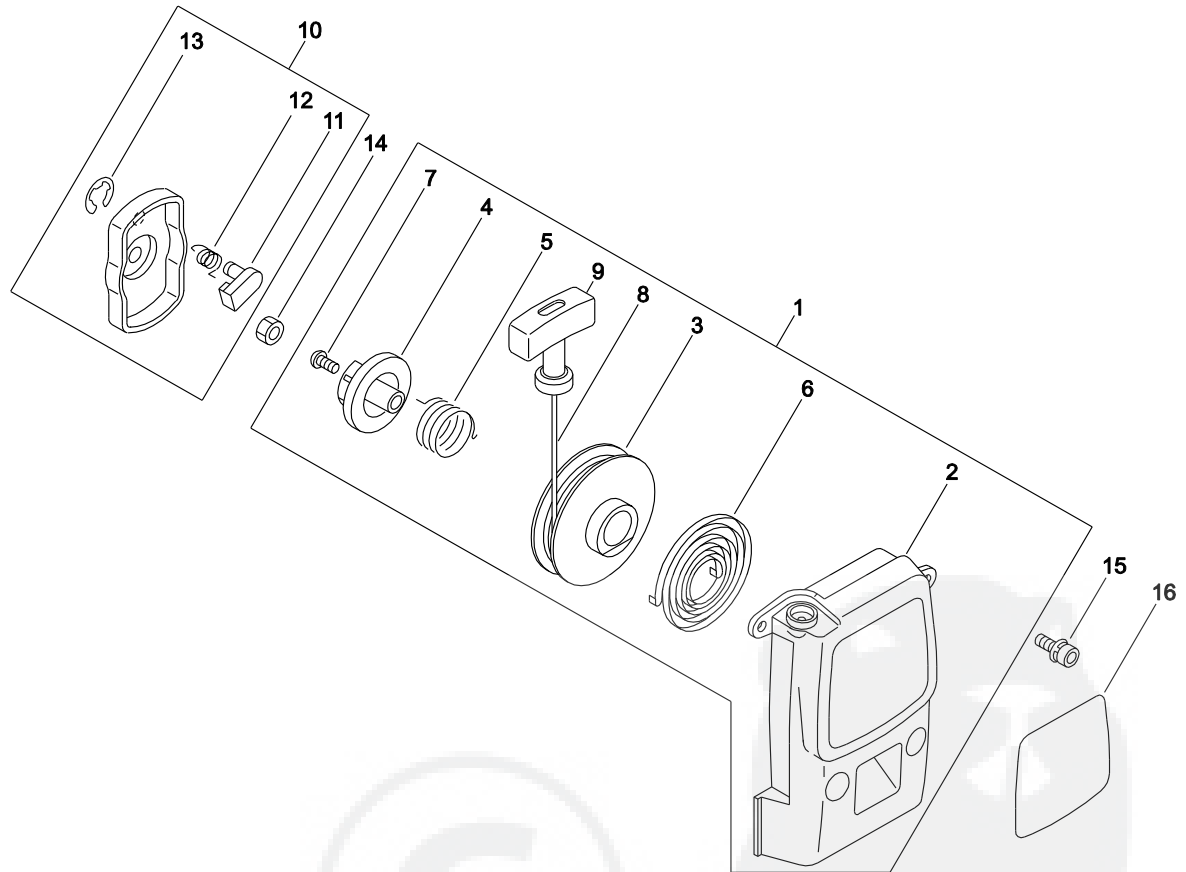
KEY	LV	PART NUMBER	Q'TY	DESCRIPTION	REMARKS	NOTE1	NOTE2
1		A350-000200	1	TANK,FUEL			
2		132115-55930	1	GROMMET, FUEL			
3		132010-53630	1	PIPE	3*6*180 NBR		
4		131205-14930	1	STRAINER,FUEL			
5		132013-26630	2	CLIP	6.5MM		
6		132010-22130	1	PIPE, FUEL	3*6*150L NBR		
7		V475-002240	1	TUBE			
8		V471-001180	1	PIPE	3*6*35 NBR		
9		131300-56430	1	VALVE, CHECK			
10		P021-012210	1	CAP,FUEL ASY			
11	+	A365-000060	1	CONNECTOR,CAP	L=123		
12	+	131016-55830	1	GASKET, FUEL CAP			
13		131920-55430	4	CUSHION, FUEL TANK			
14		A393-000060	1	BRACKET,FUEL TANK			
15		A175-000011	1	STAND			
16		91121-05016	2	BOLT, FLANGE	10.9 SILVER		

8. MUFFLER



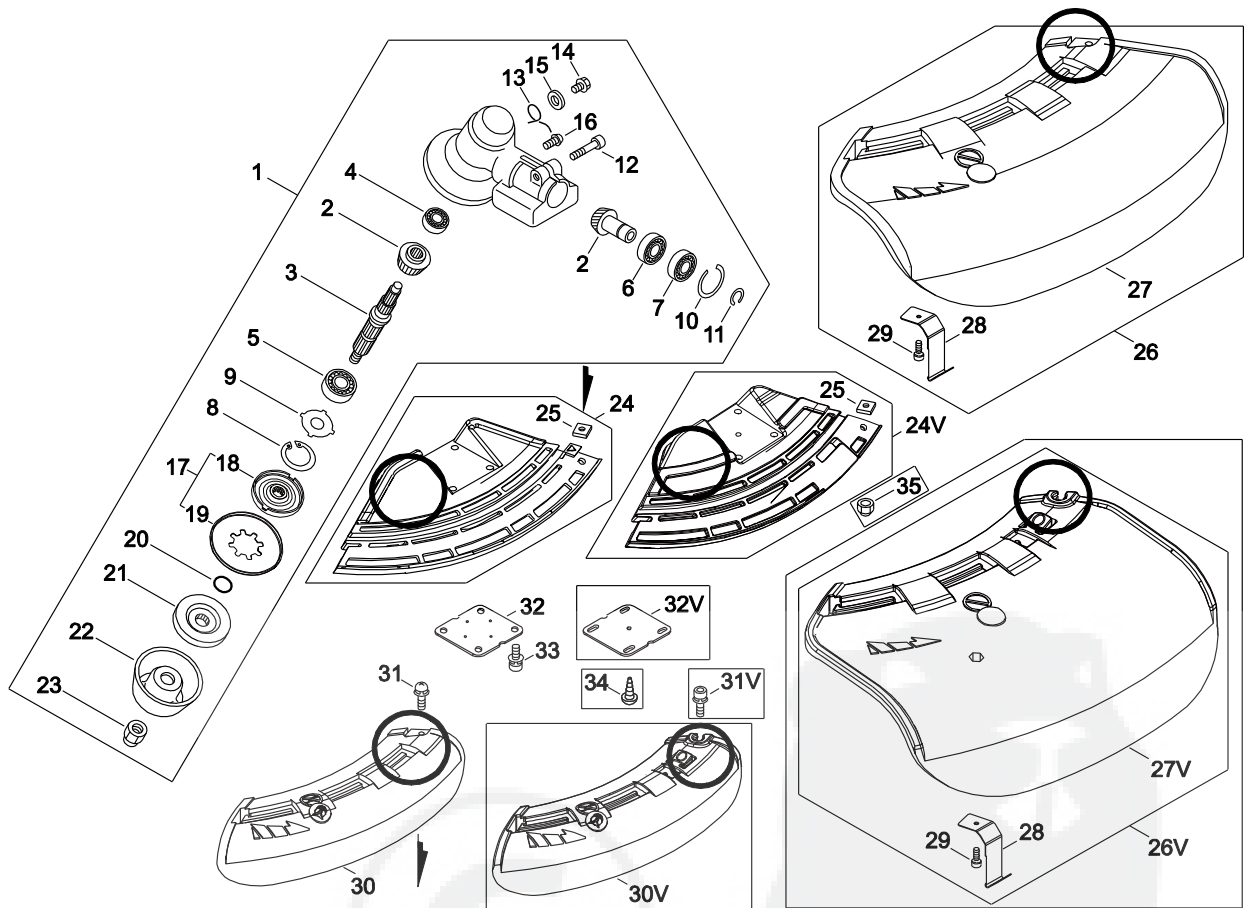
KEY	LV	PART NUMBER	Q'TY	DESCRIPTION	REMARKS	NOTE1	NOTE2
1		P021-008870	1	MUFFLER ASY			
2		900105-05060	2	BOLT, H.S. 5*60	5*60		
3		900600-00005	2	WASHER 5	5		
4		900162-05012	1	BOLT, H.S. 5*12	5*12 W,SW		
5		V104-000330	1	GASKET,EXHAUST			
6		A320-000130	1	COVER,MUFFLER			
7		91121-05012	1	BOLT, FLANGE	10.9 SILVER		

9. RECOIL STARTER, PULLY



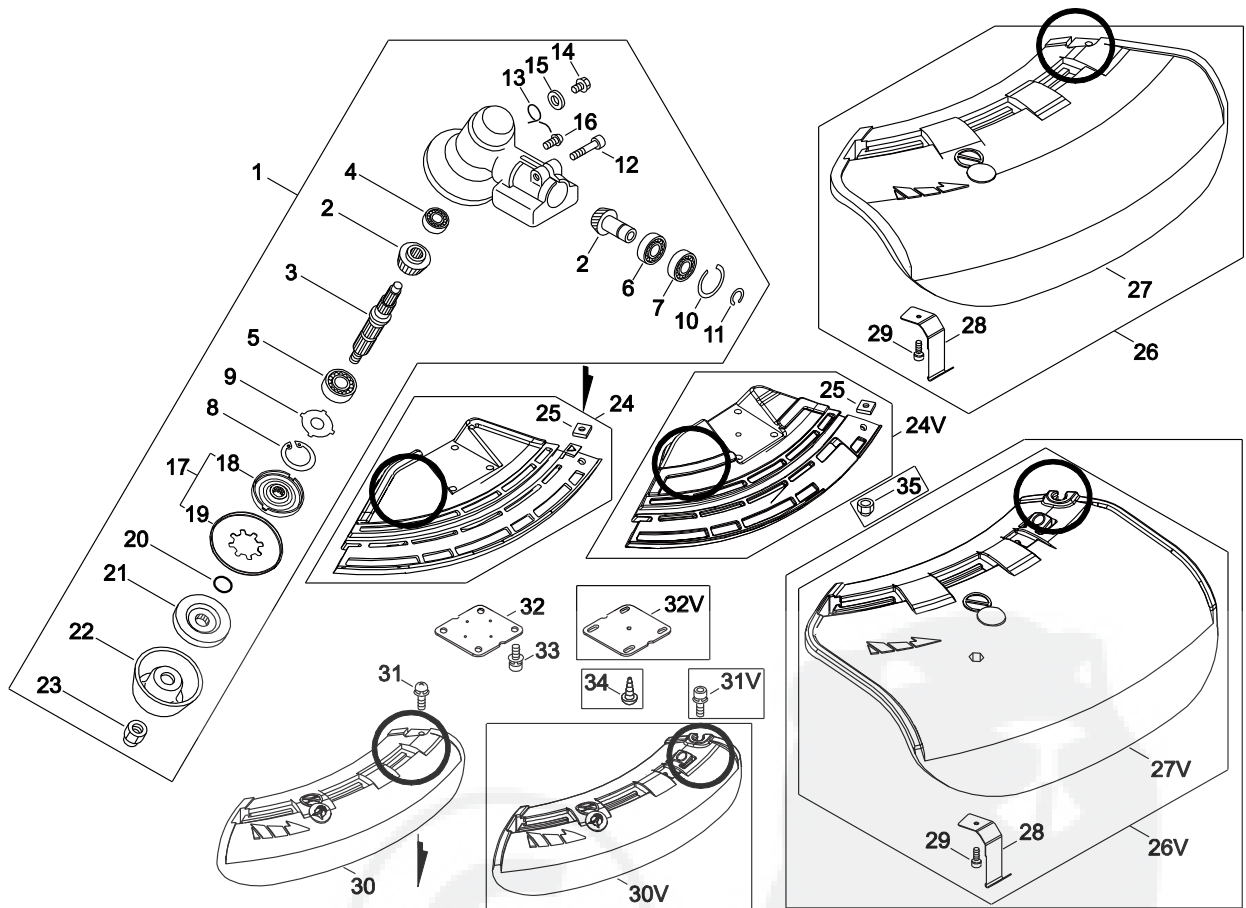
KEY	LV	PART NUMBER	Q'TY	DESCRIPTION	REMARKS	NOTE1	NOTE2
1		A051-000760	1	STARTER,RECOIL			
2	+	P022-008540	1	STARTER,RECOIL			
3	+	P022-008470	1	DRUM			
4	+	P022-008460	1	PLATE, CAM			
5	+	P022-008450	1	SPRING,DAMPER			
6	+	177220-40630	1	SPRING, REWIND			
7	+	177236-61830	1	SCREW			
8	+	P022-008440	1	ROPE, STARTER	3.5*900		
9	+	177228-27030	1	GRIP, STARTER			
10		A052-000190	1	PULLEY,ASM STARTER			
11	+	P022-008480	2	PAWL, STARTER			
12	+	177234-40630	2	SPRING, RETURN			
13	+	P022-002100	2	E-RING	4		
14		900502-00008	1	NUT 8 (3N)	3N8		
15		91121-05016	4	BOLT, FLANGE	10.9 SILVER		
16		X502-000520	1	LABEL,ECHO			

10. GEAR CASE, SHIELD



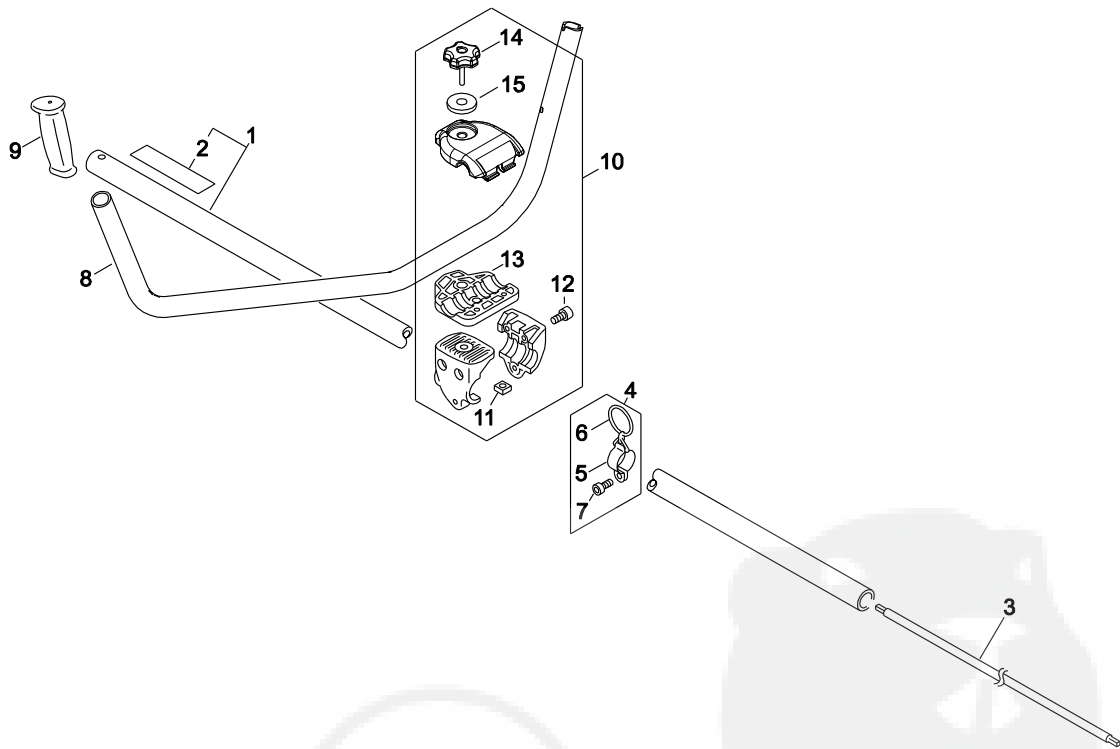
KEY	LV	PART NUMBER	QTY	DESCRIPTION	REMARKS	NOTE1	NOTE2
1		P021-012590	1	CASE,GEAR			
2	+	610300-56930	1	GEAR SET			
3	+	610310-56930	1	SHAFT, P.T.O.			
4	+	900810-00629	1	BEARING, BALL 629			
5	+	900812-06201	1	BEARING, BALL 6201			
6	+	900800-06001	1	BEARING, BALL 6001			
7	+	900803-06001	1	BEARING, BALL 6001			
8	+	900702-00032	1	CIRCLIP 32	CR-32		
9	+	610444-56830	1	WASHER			
10	+	900702-00028	1	CIRCLIP 28	CR-28		
11	+	900701-00012	1	CIRCLIP 12	CS-12		
12	+	91118-06030	1	BOLT			
13	+	610473-52131	1	SPRING			
14	+	610434-50031	1	BOLT 8*8	M8*8		
15	+	900603-50008	1	WASHER	8.5*18*0.8T		
16	+	900242-05010	1	SCREW 5*10			
17	+	610313-52932	1	FIXTURE,BLADE			
18	++	610313-52132	1	FIXTURE,BLADE			
19	++	610352-56830	1	PLATE, CUP			
20	+	900720-00012	1	O-RING 12	P-12		
21	+	610314-52130	1	PLATE, ADAPTER (L)			
22	+	699229-56830	1	PLATE, COVER			
23	+	610320-52130	1	NUT 10			
24		C550-000100	1	SHIELD,BLADE			
24V		C550-000510	1	SHIELD,BLADE			

10. GEAR CASE, SHIELD



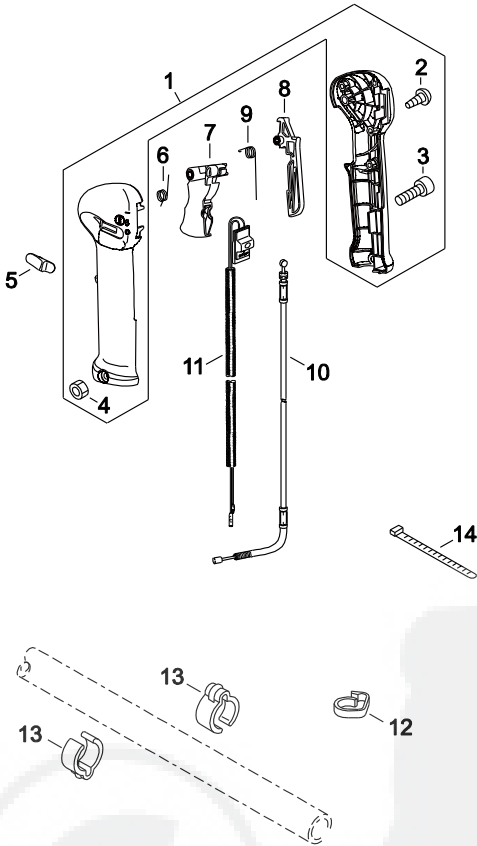
KEY	LV	PART NUMBER	QTY	DESCRIPTION	REMARKS	NOTE1	NOTE2
25	+	900565-00005	1	NUT	5		
26		P021-013770	1	SHIELD KIT			
26V		P021-013773	1	SHIELD KIT			
27	+	C550-000080	1	SHIELD, BLADE			
27V	+	C550-000530	1	SHIELD, BLADE			
28	+	C554-000030	1	KNIFE, CORD			
29	+	900252-05012	1	SCREW 5*12			
30		C550-000090	1	SHIELD, BLADE			
30V		C550-000550	1	SHIELD, BLADE			
31		900242-05018	1	SCREW 5*18	5*18		
31V		91121-05025	1	BOLT, FLANGE	10.9 SILVER		
32		699013-56830	1	PLATE, SHIELD			
32V		C552-000200	1	PLATE, SHIELD			
33		91118-05025	4	BOLT			
34		91316-04010	1	SCREW	M4*10		
35		900562-00005	1	NUT, LOCK	5		

11. MAIN PIPE, HANDLE



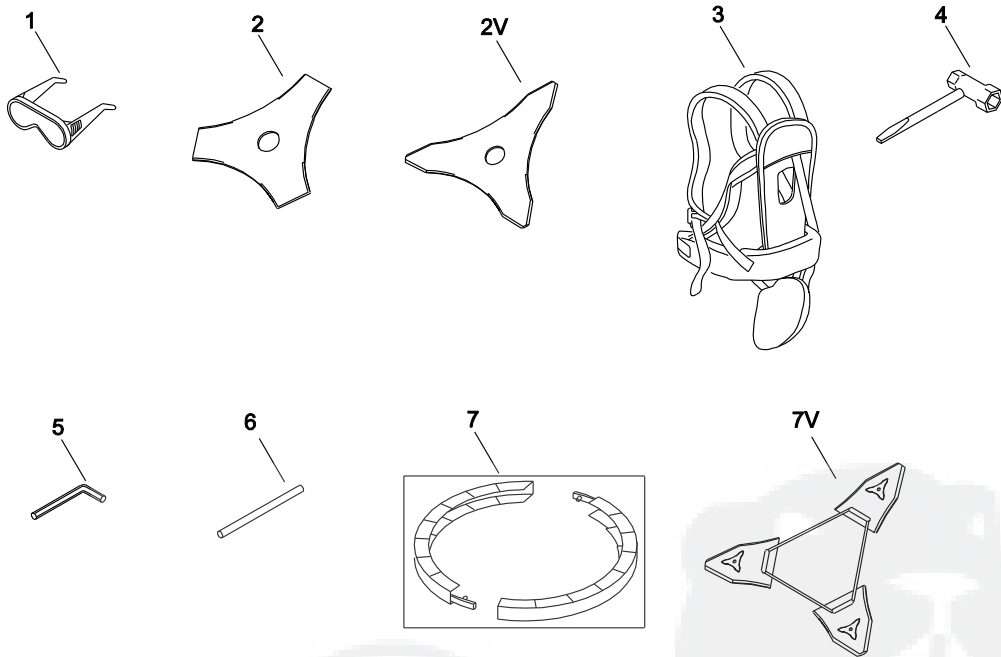
KEY	LV	PART NUMBER	Q'TY	DESCRIPTION	REMARKS	NOTE1	NOTE2
1		P021-047880	1	MAIN PIPE ASY			
2	+	890617-43130	1	LABEL, CAUTION			
3		610011-49930	1	SHAFT, DRIVE			
4		P021-012660	1	HOOK ASY			
5	+	301210-04630	1	HOOK			
6	+	301015-05330	1	HOOK, BAND			
7	+	91119-05012	1	BOLT			
8		C400-000211	1	HANDLE, FRONT			
9		C403-000031	1	GRIP, HANDLE			
10		P021-012740	1	BRACKET ASY, HANDLE			
11	+	900565-50008	1	NUT			
12	+	91118-05030	3	BOLT			
13	+	C423-000041	1	FIXTURE, HANDLE			
14	+	V299-000110	1	KNOB, FASTENER			
15	+	605014-54230	1	WASHER			

12. THROTTLE



KEY	LV	PART NUMBER	Q'TY	DESCRIPTION	REMARKS	NOTE1	NOTE2
1		P021-014090	1	GRIP ASY,F-HANDLE			
2	+	900256-04016	3	SCREW 4*16			
3	+	91119-05030	1	BOLT			
4	+	900500-00005	1	NUT 5	5		
5		C463-000020	1	KNOB, LATCH			
6		V452-000360	1	SPRING,TORSION			
7		C450-000270	1	CONTROL, THROTTLE			
8		C460-000110	1	LOCKOUT, THROTTLE			
9		V452-000350	1	SPRING,TORSION			
10		V430-002020	1	CABLE,BOWDEN			
11		P021-014350	1	SWITCH,ON OFF			
12		159112-09961	1	CLIP			
13		224924-52930	2	CLIP	28MM		
14		178121-43230	1	BAND	CV-150 BL		

13. ACCESSORIES



KEY	LV	PART NUMBER	Q'TY	DESCRIPTION	REMARKS	NOTE1	NOTE2
1		X690-000030	1	GOGGLE			
2		X405-000001	1	SAW,BUSH CUTTER	3*255*25.4*T2.0		
2V		P021-014320	1	SAW BUSH CUTTER	255*T3.0		
3		C062-000192	1	HARNESS,SHOULDER			
4		X602-000020	1	TOOL,WRENCH	17*19 L200		
5		895610-00130	1	L-WRENCH (4MM)			
6		X606-000080	1	TOOL,BAR	5*120		
7		P021-007470	1	SCABBARD,BLADE			
7V		X495-000270	1	SCABBARD,BLADE			

Index

Patrs Number	Key No.	Patrs Number	Key No.	Patrs Number	Key No.
100011-42230	1 - 6	178121-43230	12 - 14	900702-00032	10 - 8
100012-16131	1 - 9	224924-52930	12 - 13	900702-00045	4 - 12
100013-27430	1 - 7	301015-05330	11 - 6	900720-00012	10 - 20
100014-53630	1 - 10	301210-04630	11 - 5	900800-06001	10 - 6
100015-03931	1 - 8	437412-16430	3 - 6	900803-06001	10 - 7
100100-55430	1 - 1	605014-54230	11 - 15	900807-06001	4 - 8
100142-12330	3 - 8	610011-49930	11 - 3	900810-00629	10 - 4
100204-55430	2 - 1	610300-56930	10 - 2	900812-06201	10 - 5
100213-05530	2 - 2	610310-56930	10 - 3	91118-05012	4 - 14
100242-55430	2 - 4	610313-52132	10 - 18	91118-05020	4 - 6
101010-55430	1 - 3	610313-52932	10 - 17	91118-05025	10 - 33
123112-40630	6 - 6	610314-52130	10 - 21	91118-05028	4 - 13
123114-40630	6 - 13	610320-52130	10 - 23	91118-05030	11 - 12
123122-05560	6 - 23	610352-56830	10 - 19	91118-06030	10 - 12
123123-03930	6 - 26	610434-50031	10 - 14	91119-05012	11 - 7
123126-10631	6 - 21	610444-56830	10 - 9	91119-05030	12 - 3
123137-19830	6 - 22	610473-52131	10 - 13	91121-05012	1 - 12
123138-03930	6 - 25	699013-56830	10 - 32	91121-05012	8 - 7
123139-05560	6 - 24	699229-56830	10 - 22	91121-05016	7 - 16
123140-27230	6 - 5	890617-43130	11 - 2	91121-05016	9 - 15
123142-03930	6 - 3	895610-00130	13 - 5	91121-05025	10 - 31V
123143-12110	6 - 15	900105-05060	5 - 18	91316-04010	10 - 34
123144-44330	6 - 16	900105-05060	8 - 2	94035-36201	2 - 3
123149-54230	6 - 17	900106-05012	5 - 19	A011-000550	1 - 1
123172-45130	6 - 11	900162-05012	8 - 4	A021-000931	5 - 1
123173-07930	6 - 10	900162-05020	1 - 4	A021-000931	6 -
123181-39130	5 - 2	900162-05020	3 - 7	A051-000760	9 - 1
123183-40630	6 - 9	900162-05025	5 - 6	A052-000190	9 - 10
131016-55830	7 - 12	900162-05030	2 - 5	A130-000601	1 - 2
131205-14930	7 - 4	900238-05010	3 - 14	A160-000391	1 - 11
131300-56430	7 - 9	900242-05010	10 - 16	A175-000011	7 - 15
131920-55430	7 - 13	900242-05018	10 - 31	A200-000090	5 - 5
132010-22130	7 - 6	900252-05012	10 - 29	A200-000100	5 - 7
132010-53630	7 - 3	900256-04016	12 - 2	A226-000140	5 - 20
132013-26630	7 - 5	900500-00005	12 - 4	A232-000151	5 - 21
132115-55930	7 - 2	900502-00006	5 - 10	A235-000100	5 - 15
152626-55730	3 - 5	900502-00008	3 - 2	A244-000010	5 - 17
152801-55430	3 - 1	900502-00008	9 - 14	A320-000130	8 - 6
159010-10230	3 - 9	900562-00005	10 - 35	A350-000200	7 - 1
159112-09961	12 - 12	900565-00005	10 - 25	A365-000060	7 - 11
175005-49930	4 - 7	900565-50008	11 - 11	A393-000060	7 - 14
175018-49932	4 - 4	900600-00005	8 - 3	A426-000000	3 - 11
175046-46430	4 - 1	900600-00008	3 - 3	A427-000000	3 - 10
175048-05530	4 - 3	900603-50008	10 - 15	C062-000192	13 - 3
177220-40630	9 - 6	900605-00008	3 - 4	C400-000211	11 - 8
177228-27030	9 - 9	900701-00012	4 - 10	C403-000031	11 - 9
177234-40630	9 - 12	900701-00012	10 - 11	C423-000041	11 - 13
177236-61830	9 - 7	900702-00028	4 - 9	C450-000270	12 - 7
178081-55931	5 - 11	900702-00028	10 - 10	C460-000110	12 - 8

Index

Patrs Number	Key No.	Patrs Number	Key No.	Patrs Number	Key No.
C463-000020	12 - 5	V471-001180	7 - 8		
C550-000080	10 - 27	V475-002210	5 - 12		
C550-000090	10 - 30	V475-002240	7 - 7		
C550-000100	10 - 24	V485-000230	3 - 12		
C550-000510	10 - 24V	V485-000240	3 - 13		
C550-000530	10 - 27V	X405-000001	13 - 2		
C550-000550	10 - 30V	X495-000270	13 - 7V		
C552-000200	10 - 32V	X502-000520	9 - 16		
C554-000030	10 - 28	X547-000990	1 - 13		
J485-000030	5 - 14	X602-000020	13 - 4		
P003-000090	6 - 4	X606-000080	13 - 6		
P003-000100	6 - 7	X690-000030	13 - 1		
P003-000180	6 - 14				
P003-000720	6 - 2				
P003-001050	6 - 8				
P021-004280	5 - 13				
P021-007410	1 - 5				
P021-007470	13 - 7				
P021-008870	8 - 1				
P021-012210	7 - 10				
P021-012590	10 - 1				
P021-012660	11 - 4				
P021-012740	11 - 10				
P021-013770	10 - 26				
P021-013773	10 - 26V				
P021-014090	12 - 1				
P021-014320	13 - 2V				
P021-014350	12 - 11				
P021-046970	4 - 2				
P021-047880	11 - 1				
P021-048760	4 - 5				
P022-002100	9 - 13				
P022-008440	9 - 8				
P022-008450	9 - 5				
P022-008460	9 - 4				
P022-008470	9 - 3				
P022-008480	9 - 11				
P022-008540	9 - 2				
V103-000150	5 - 4				
V103-000160	5 - 8				
V104-000330	8 - 5				
V299-000110	11 - 14				
V420-000420	4 - 11				
V420-000640	5 - 16				
V430-000540	5 - 9				
V430-002020	12 - 10				
V452-000350	12 - 9				
V452-000360	12 - 6				
V471-000640	5 - 3				

YAMABIKO CORPORATION

7-2 SUEHIROCHO 1-CHOME, OHME, TOKYO 198-8760, JAPAN
PHONE: 81-428-32-6118. FAX: 81-428-32-6145.



ECHO®

-07L
No. 61-021